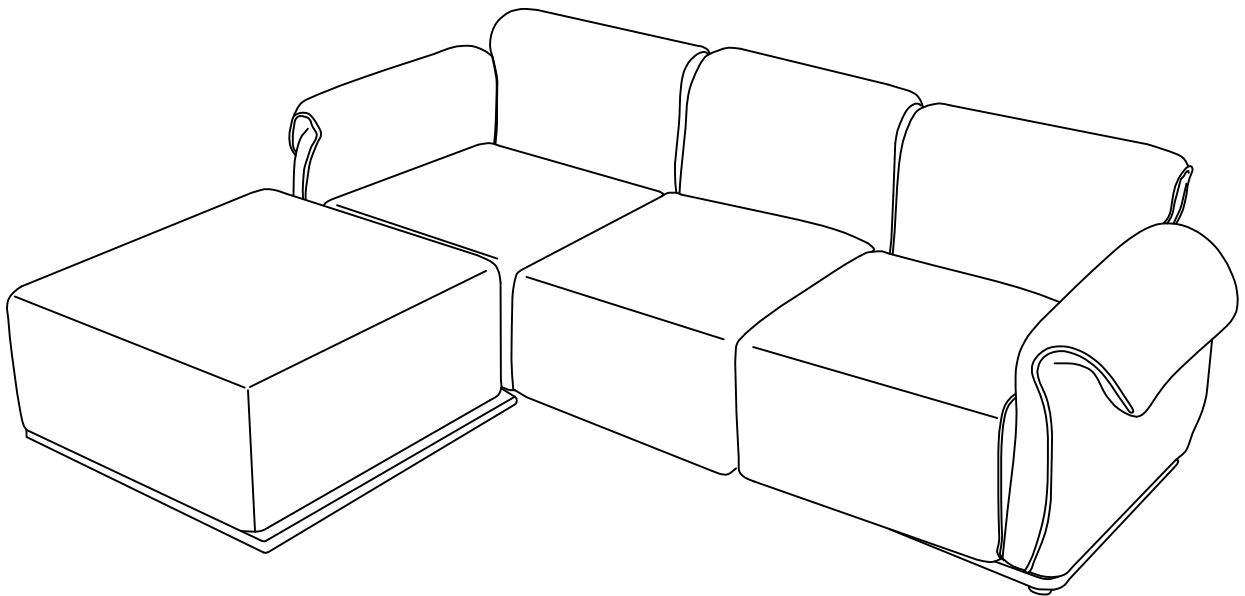
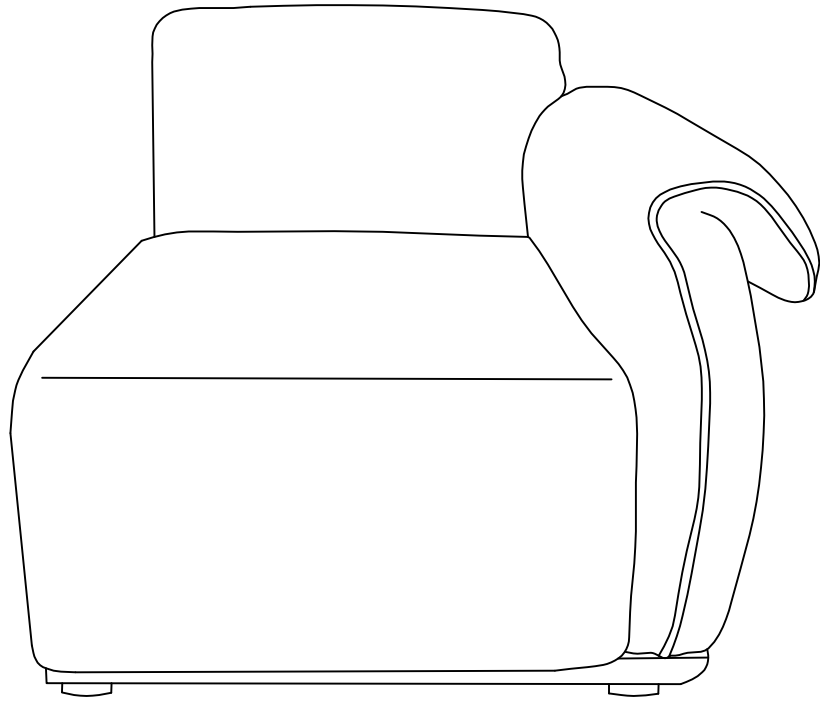
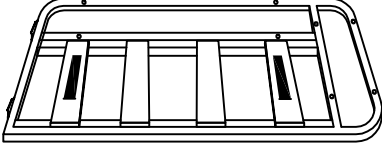

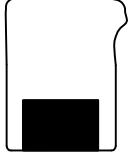

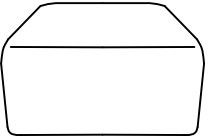


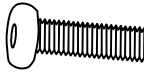

Assembly Instruction



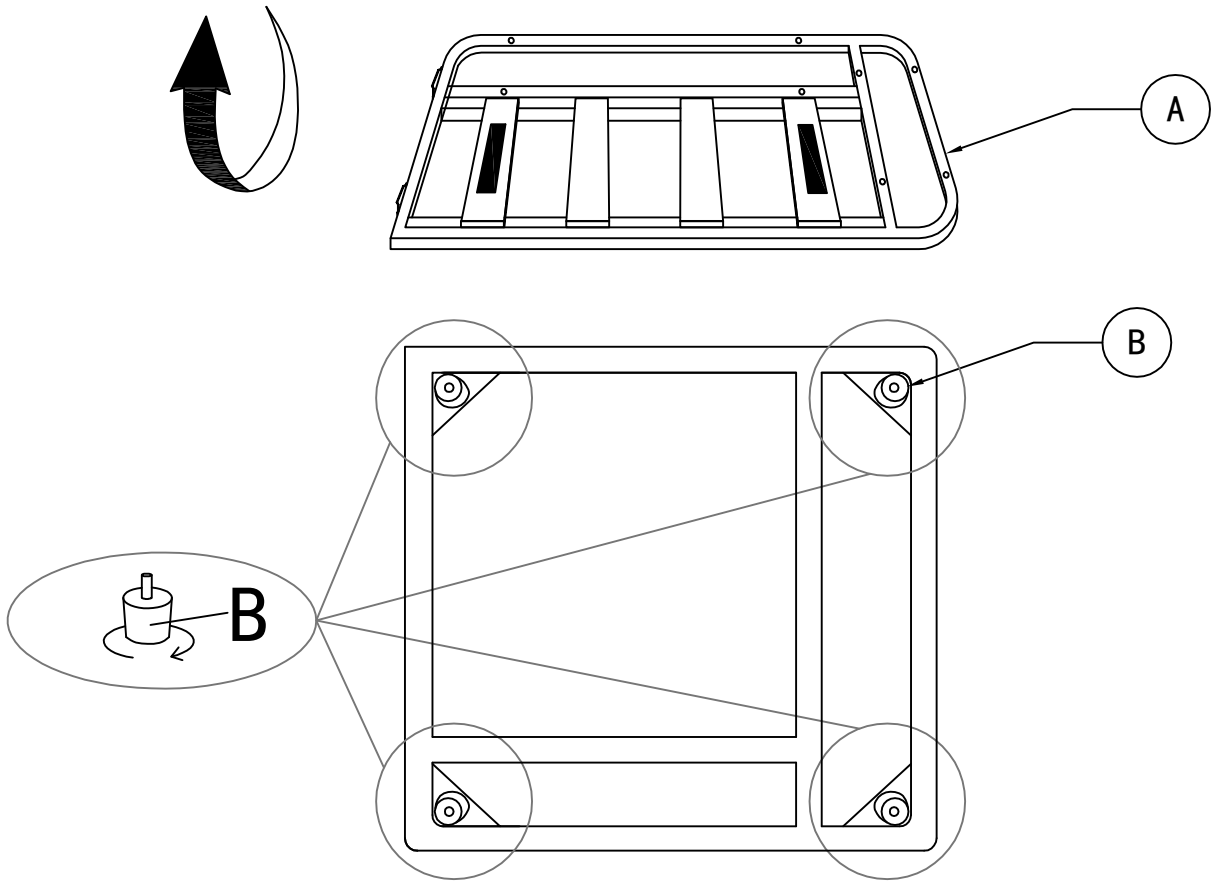
Parts List

Label	Picture	Description	QTY
A		Metal bottom frame	1
B		Leg	4
C		Back Cushion	1
D		armrest	1
E		Seat Cushion	1

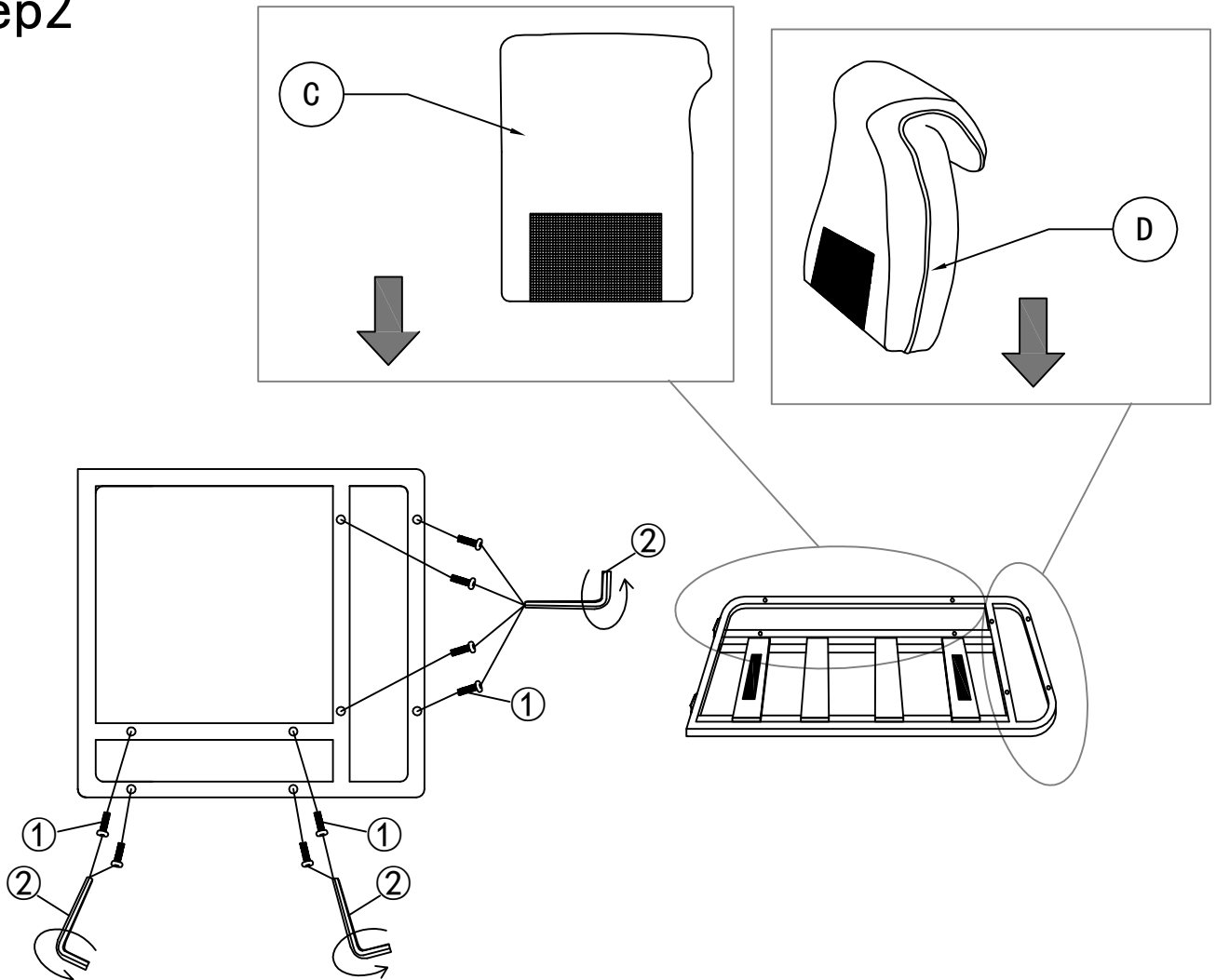
Hardware

Label	Picture	Description	QTY
①		Bolt (M8*60MM)	8
②		Allen Key (5mm)	1

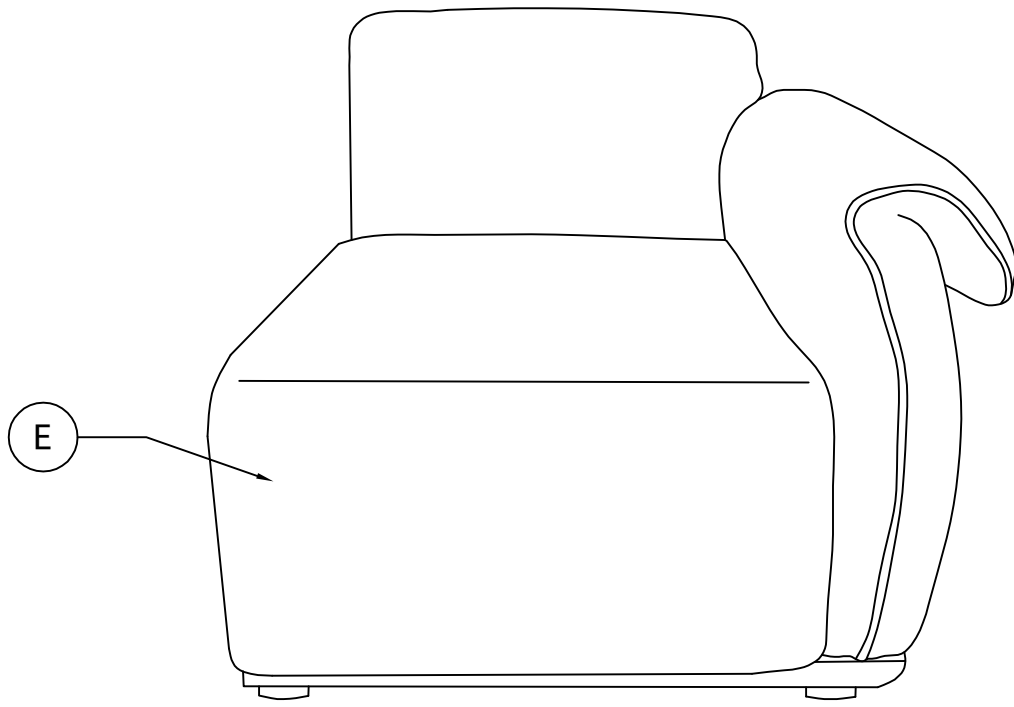
Step1



Step2

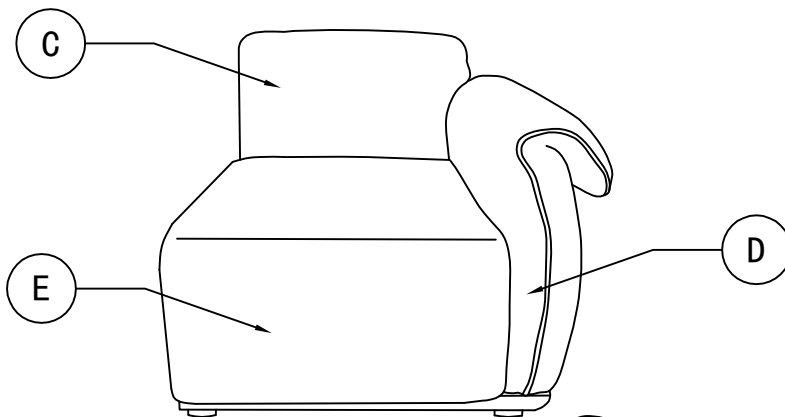


Step3

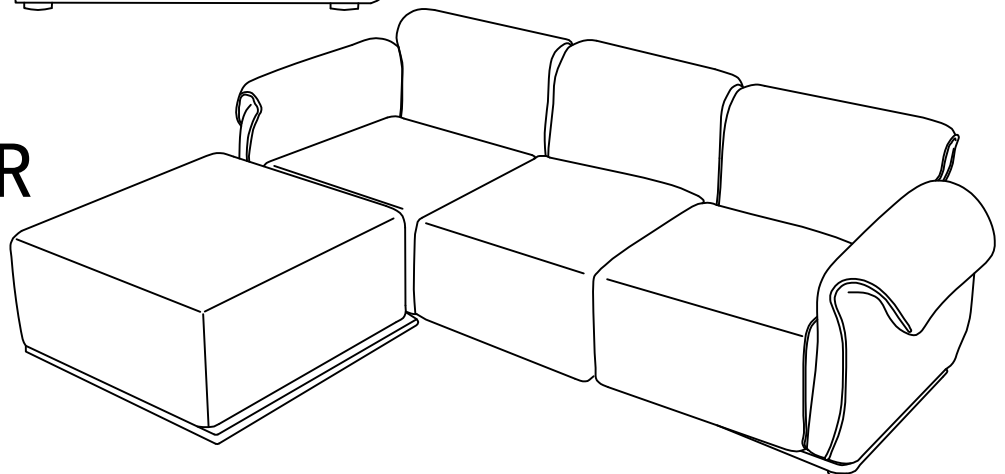


USE VELCRO TO PASTE BASE (E) OF THE OTHER SOFA TO JOINT TOGETHER

Step4



OR



Mix and match with other sofas from the same series for customizable DIY combinations