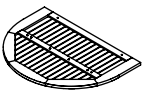
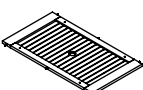
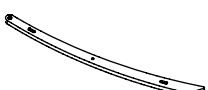
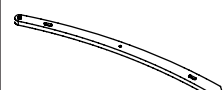
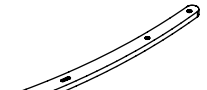

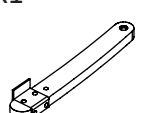
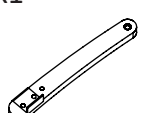
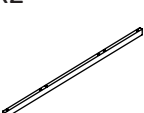
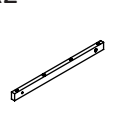
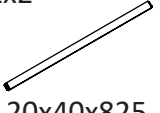

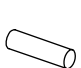

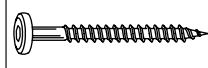

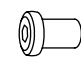
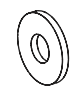
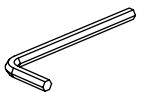
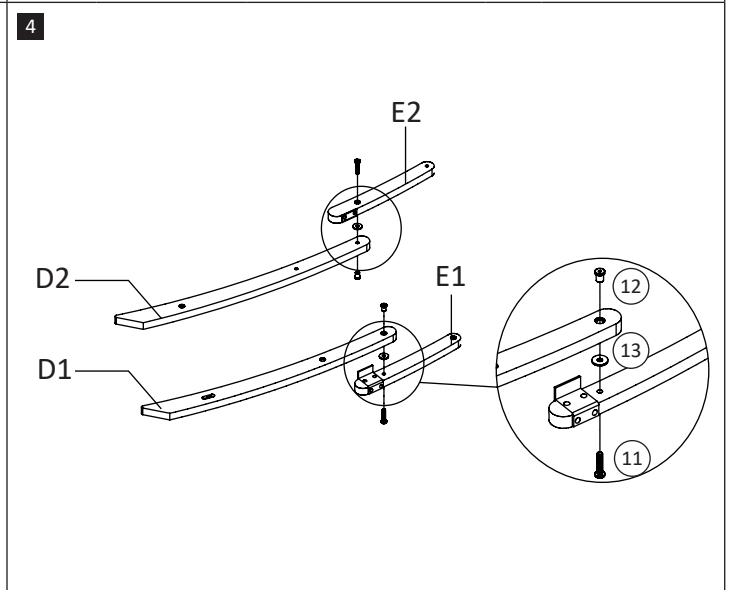
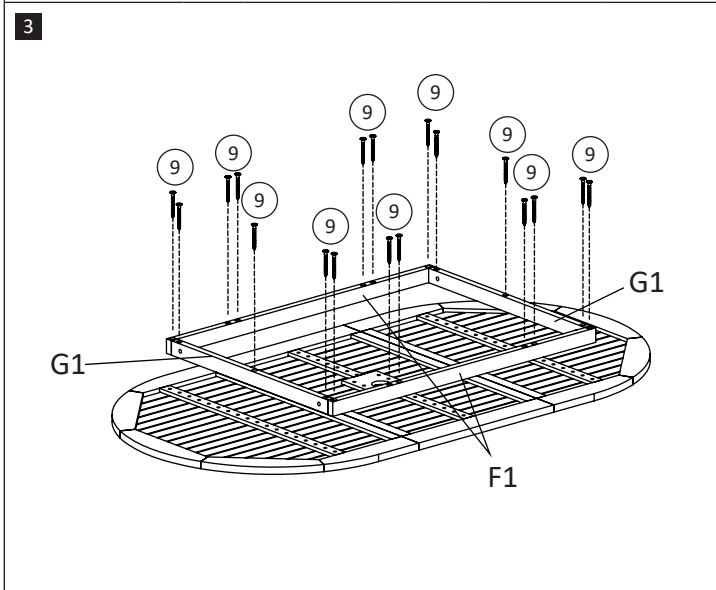
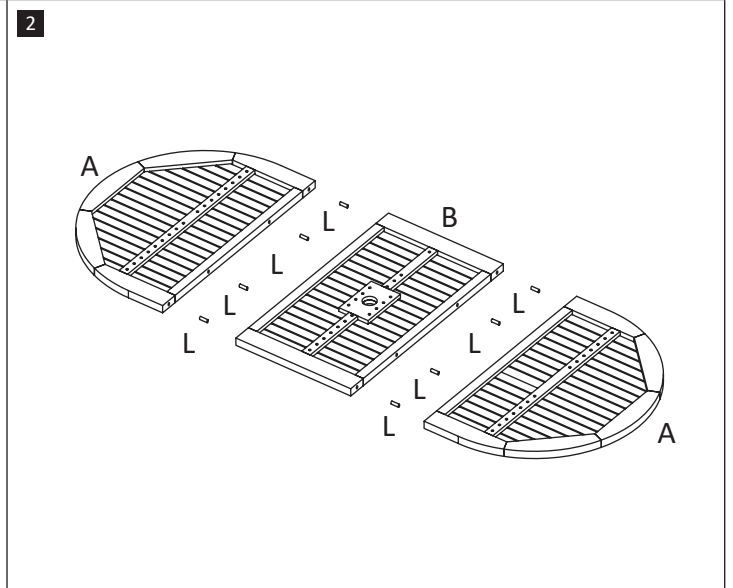
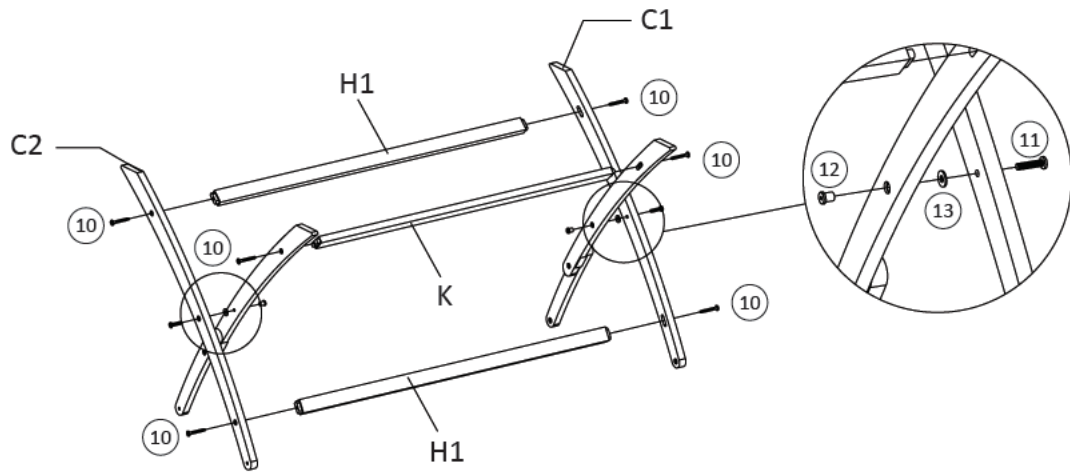


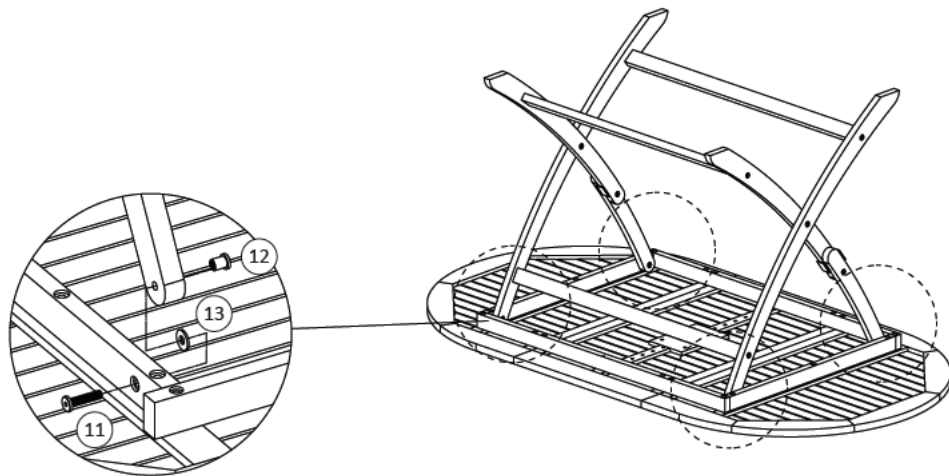
Ax2 	Bx1 	C1x1 	C2x1 	D1x1 	D2x1 	
E1x1 	E2x1 	F1x2 	G1x2 	H1x2  20x40x825 0.8x1.6x32.5	Kx1  20x40x775 0.8x1.6x30.5	
Lx8 	9 x18  Φ6x50 Φ0.2x2.0	10 x6  Φ6x60 Φ0.2x2.4	11 x8  Φ8x30 Φ0.3x1.2	12 x8  Φ8x15 Φ0.3x0.6	13 x8  Φ8/20x2 Φ0.3/0.8x0.08	14 x2 



5



6



7

