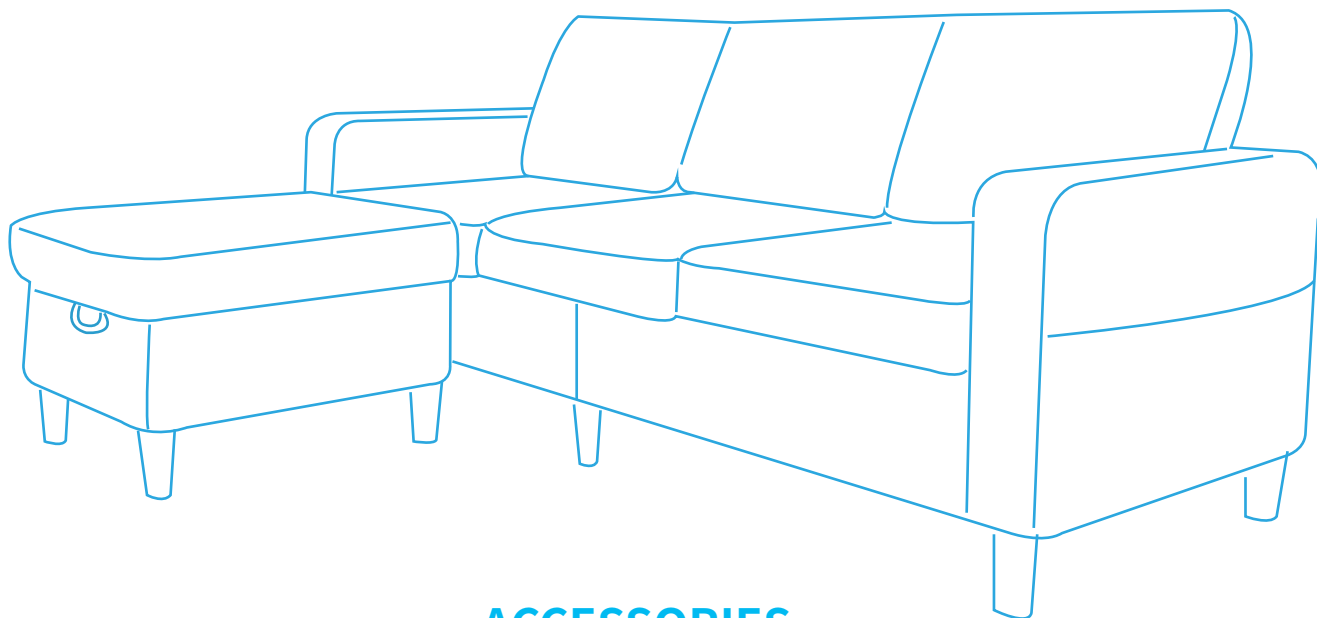
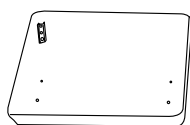


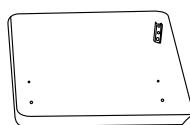
INSTALLATION GUIDE



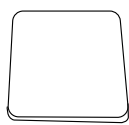
ACCESSORIES



A | 1PC



A1 | 1PC



R | 4PCS



C | 3PCS



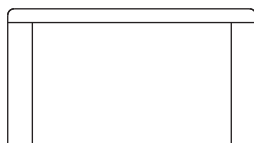
D | 2PCS



D1 | 2PCS



B | 2PC



E | 1PC



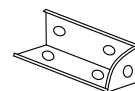
E1 | 1PC



K | 1PCS



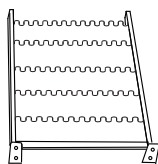
G | 1PC



F | 4PCS



Q | 2PCS



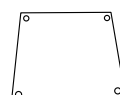
M | 2PCS



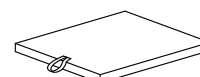
N | 4PCS



V | 1PC



O | 1PC



S | 1PC



T | 8PCS



U | 8PCS



Y | 8PCS



X | 8PCS



V1 | 8PCS



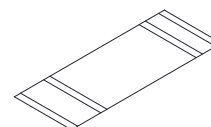
V3 | 18PCS



V4 | 6PCS

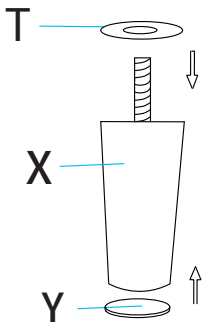


Z | 1PC

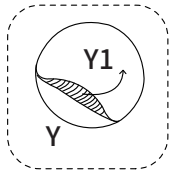


Z1 | 1PC

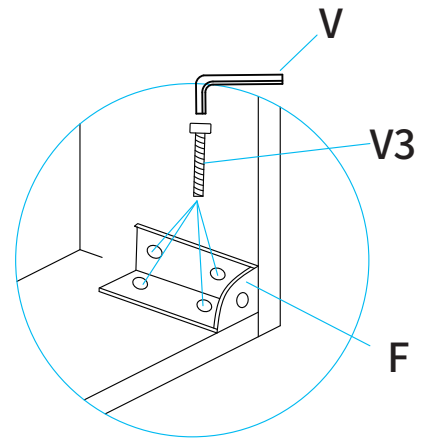
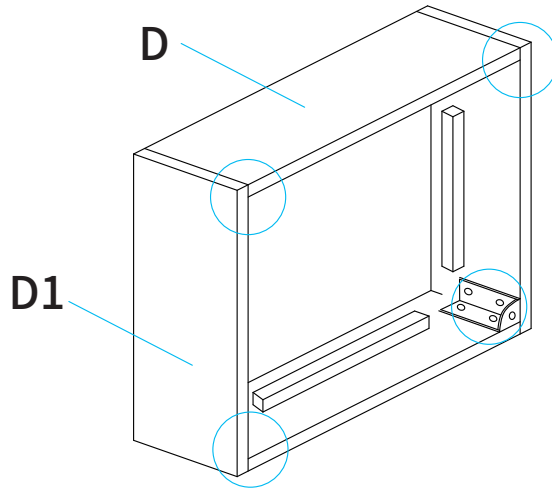
1



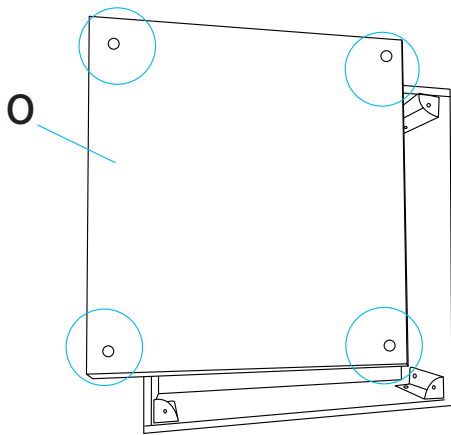
Stick Y on the X



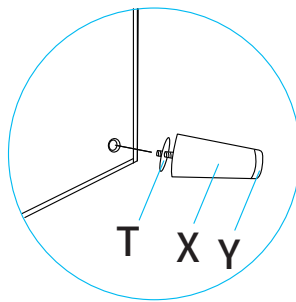
2



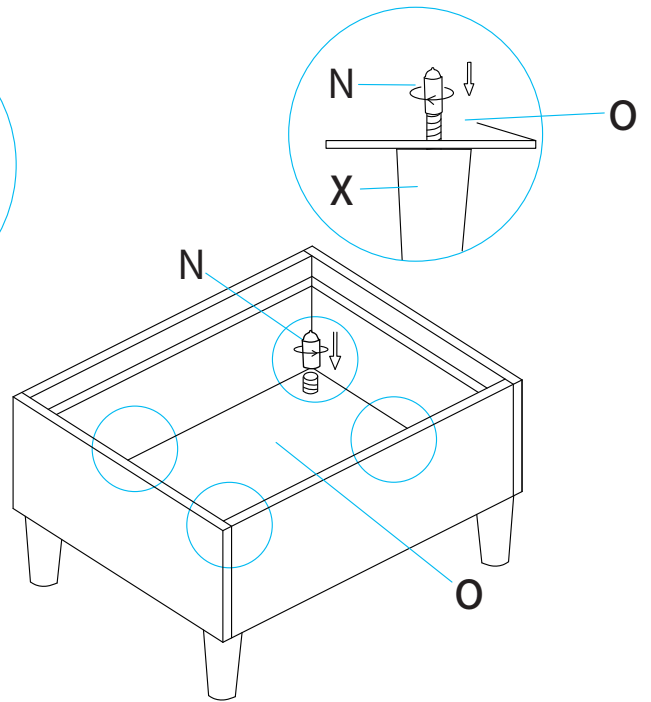
3



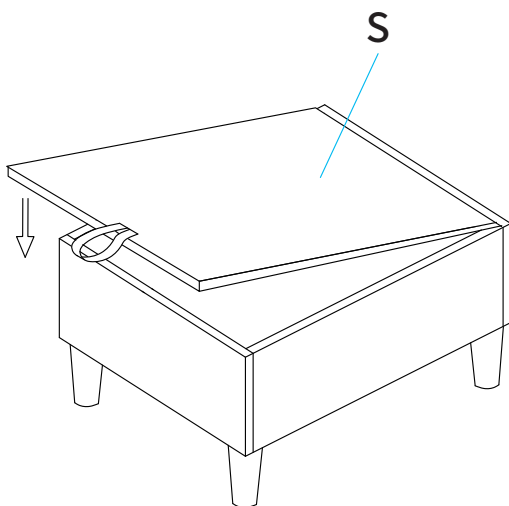
Cover from top to bottom and align the screw holes



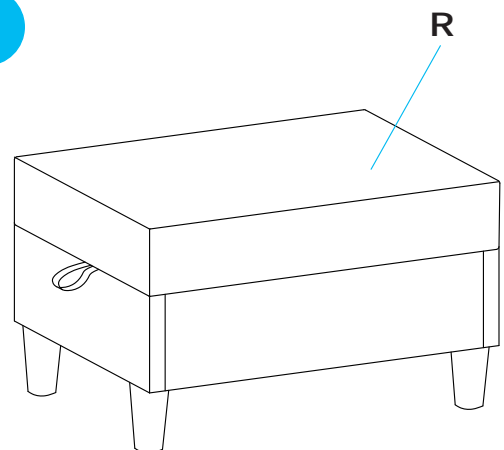
4



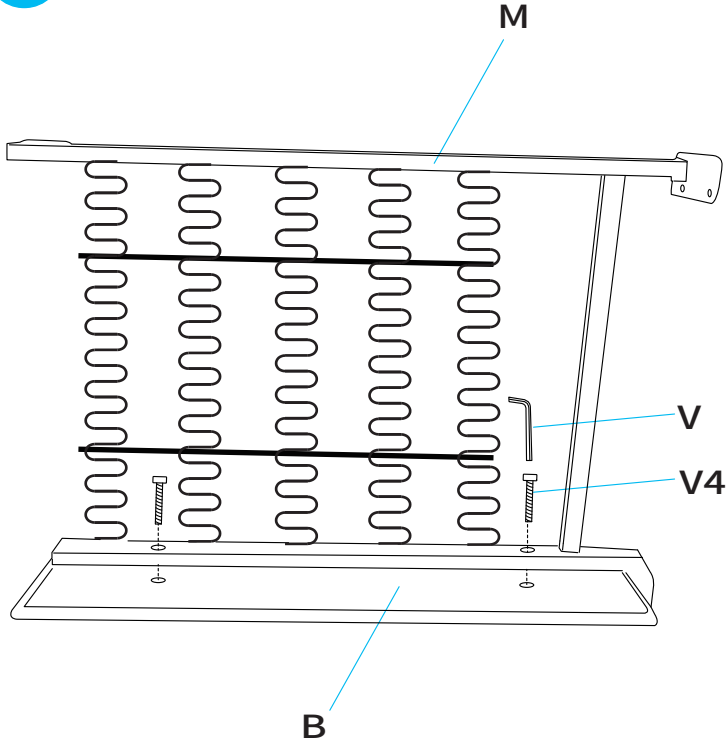
5



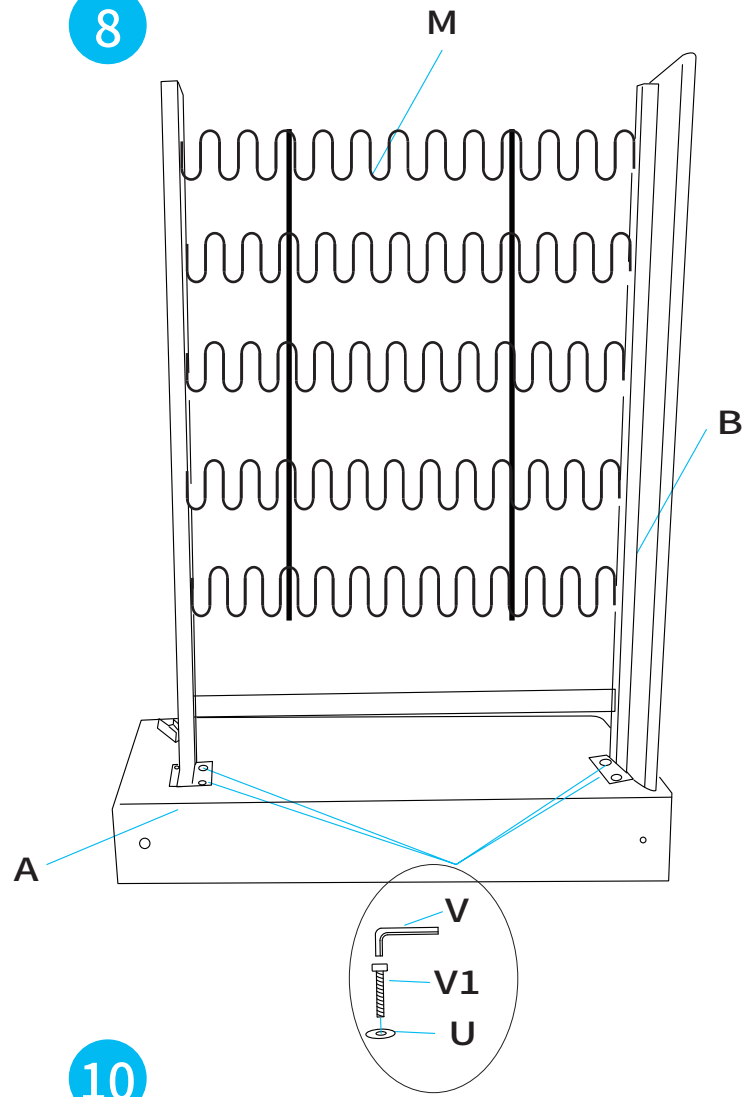
6



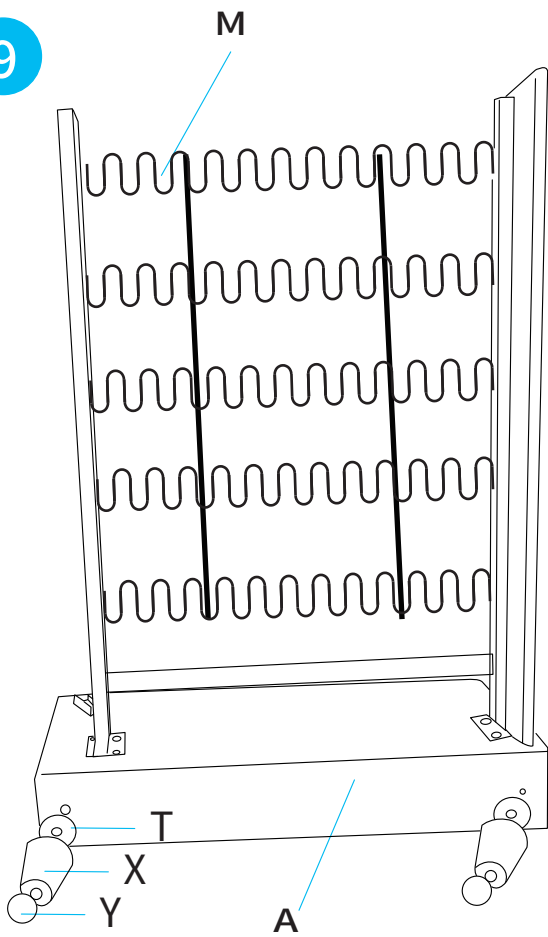
7



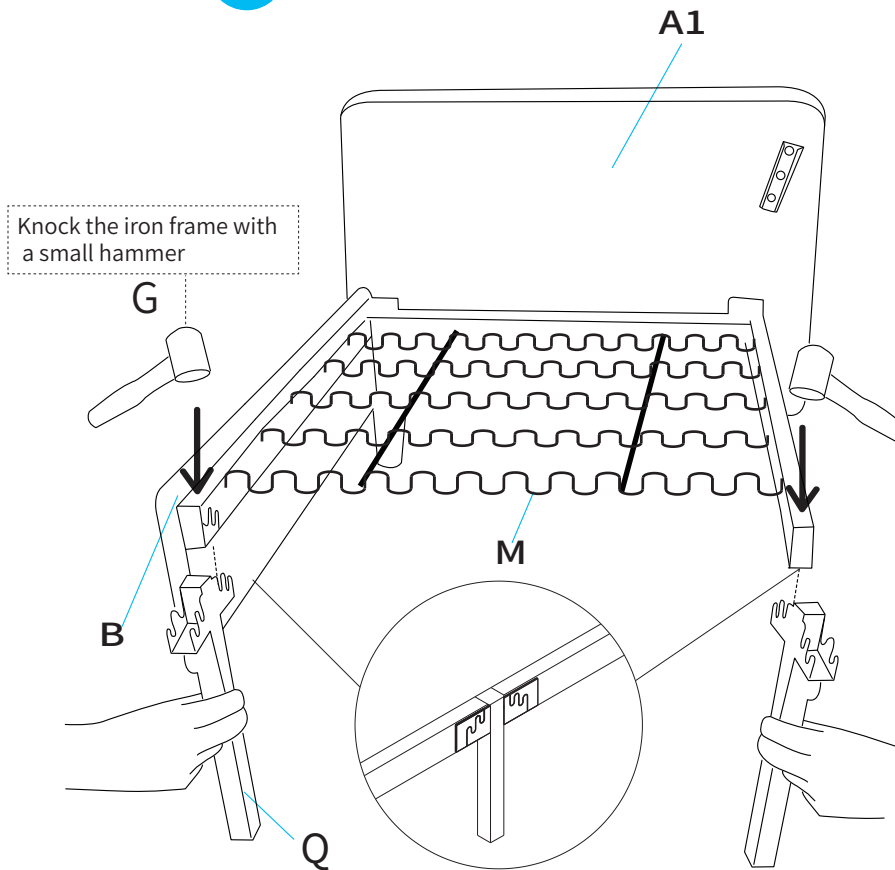
8



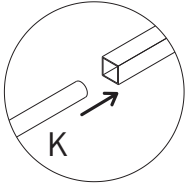
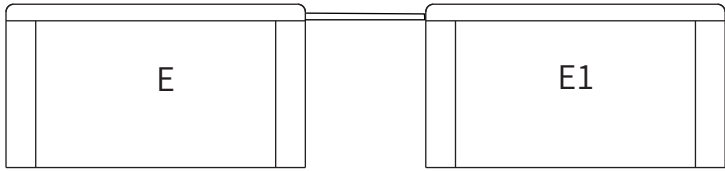
9



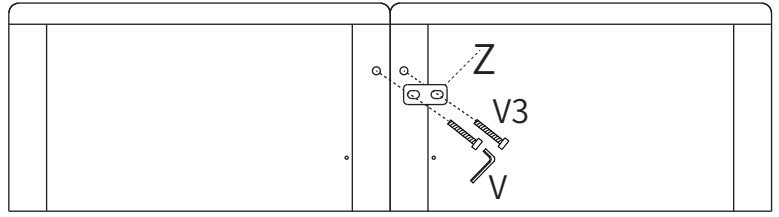
10



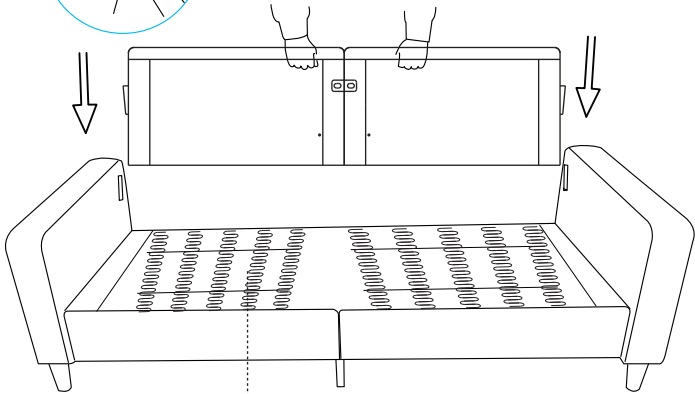
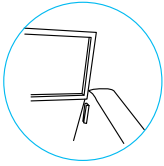
11



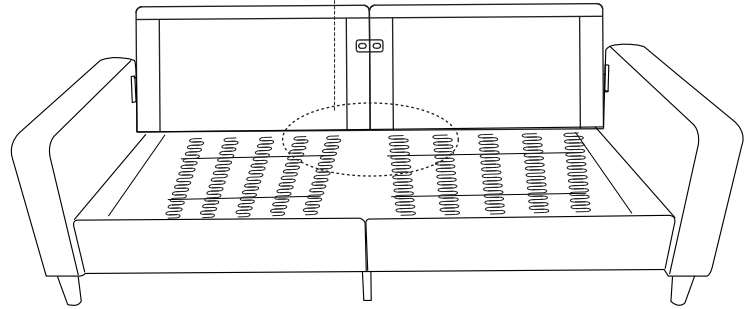
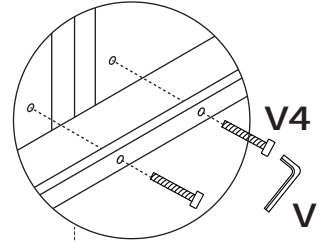
12



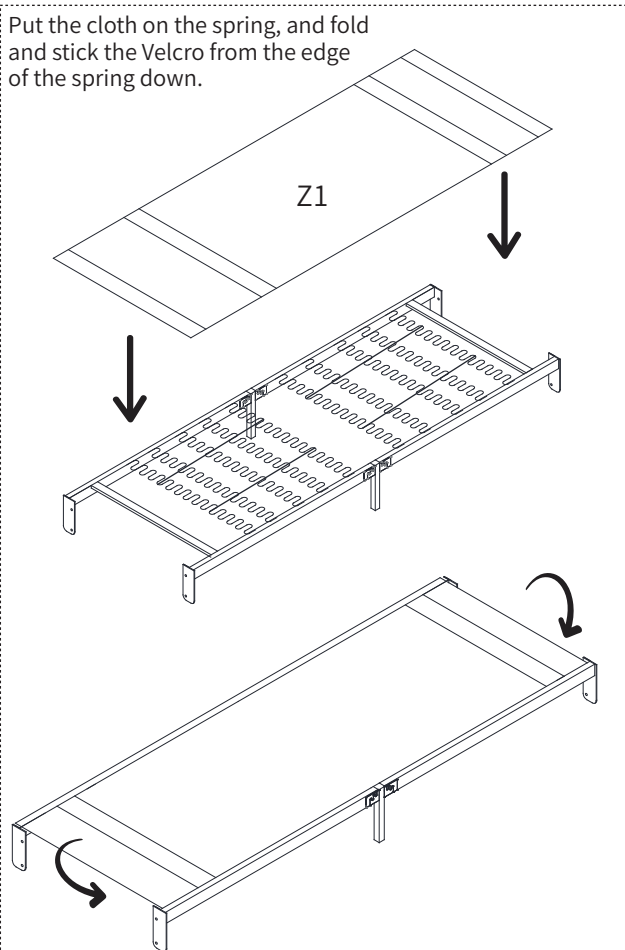
13



14



Put the cloth on the spring, and fold and stick the Velcro from the edge of the spring down.



15

