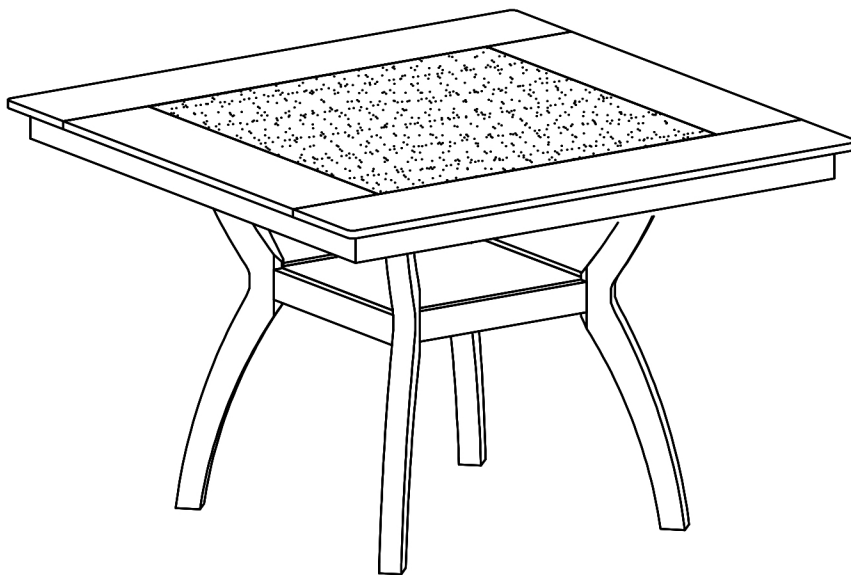


Assembly Instructions

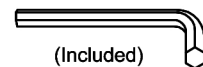


ASSEMBLY RATING

The Assembly Rating is a 5-point system that shows the degree of effort needed in assembling a specific product (with 1 being easy and 5 being difficult). For some products, two persons are recommended.

Tools Required For Assembly:

Allen Wrench



(Included)

EASY



DIFFICULT

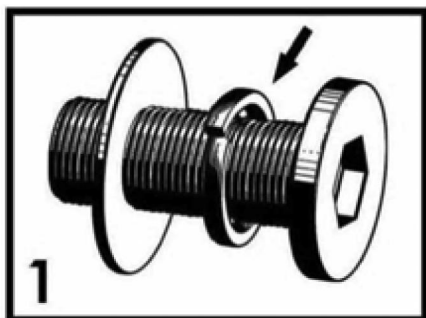


2 PERSONS RECOMMENDED

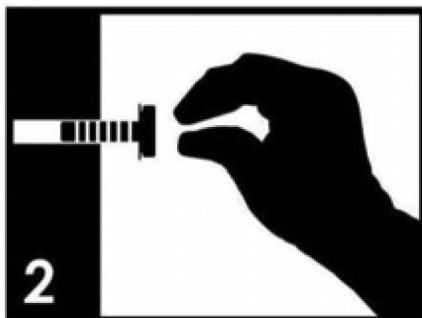
ASSEMBLY & CARE ADVICE

FOR YOUR FURNITURE TO LAST, CORRECT ASSEMBLY AND PROPER MAINTENANCE ARE NECESSARY. PLEASE FOLLOW THE INFORMATION PROVIDED BELOW TO FULLY ENJOY YOUR FURNITURE.

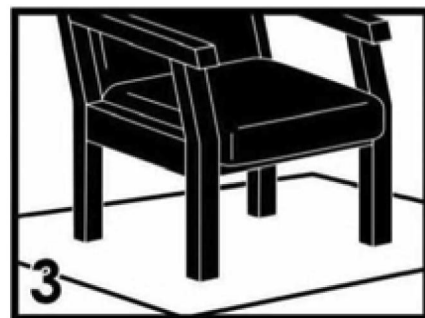
BASIC ASSEMBLY TECHNIQUES



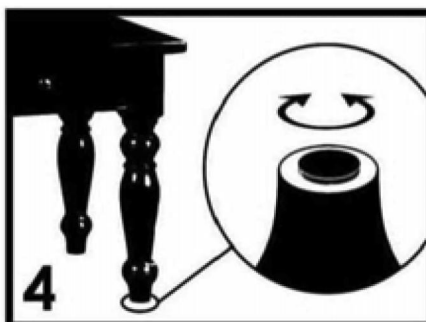
When lock or spring washer is used in an assembly, please make sure the lock or spring washer is placed between the larger flat washer and the head of the screw or bolt.



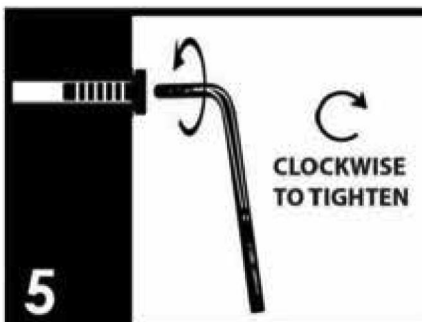
Position each part correctly and insert screws or bolts into their respective holes by hand tighten or using the proper hand tool. Only tighten when step is completed or when instructed to do so.



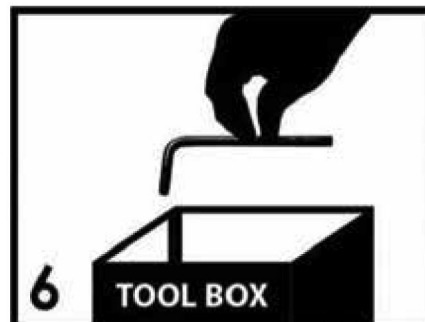
Use cardboard or carpet area when assembling furniture to prevent scratches. Make sure the furniture rests on a flat and level surface with each leg evenly touching the floor.



Some furniture comes with height adjustment knobs underneath each leg. To lower or to raise each leg, you need to turn clockwise or counterclockwise, respectively.



Make sure all parts are properly aligned, then use the appropriate hand tool to completely tighten the bolts or screws. Do not use power tools and do not overtighten.



Save the instructions and store the Allen wrench or any supplied tool for later maintenance. After two weeks, check and tighten any loose hardware and repeat again every six months thereafter.

IT IS THE USER'S RESPONSIBILITY TO MAINTAIN THE FURNITURE. THE HARDWARE MAY LOOSEN OVER TIME AND MAY CAUSE THE FURNITURE TO BE WOBBLY AND UNABLE TO SUPPORT ITS INTENDED WEIGHT CAPACITY. THIS MAY LEAD TO COLLAPSE AND MAY CAUSE SERIOUS INJURY.



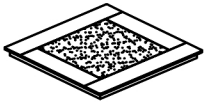
FAILURE TO FOLLOW THE GUIDELINES ABOVE MAY RESULT IN INJURY AND/OR PROPERTY DAMAGE.



Before you begin, please read Page 2 of "Assembly and Care Advice".

And remember, do not tighten until each step is completed or instructed.

Parts List



#1 x 1pc
Table top



#2 x 1pc
Table base



#3 x 2pcs
Stretcher A



#4 x 2pcs
Stretcher B



#5 x 4pcs
Table Leg

Hardware List



#A x 8pcs
Bolt 5/16" X 2-1/2"



#B x 12pcs
Bolt 5/16" X 1-3/4"



#C x 20pcs
Lock Washer



#D x 20pcs
Flat Washer

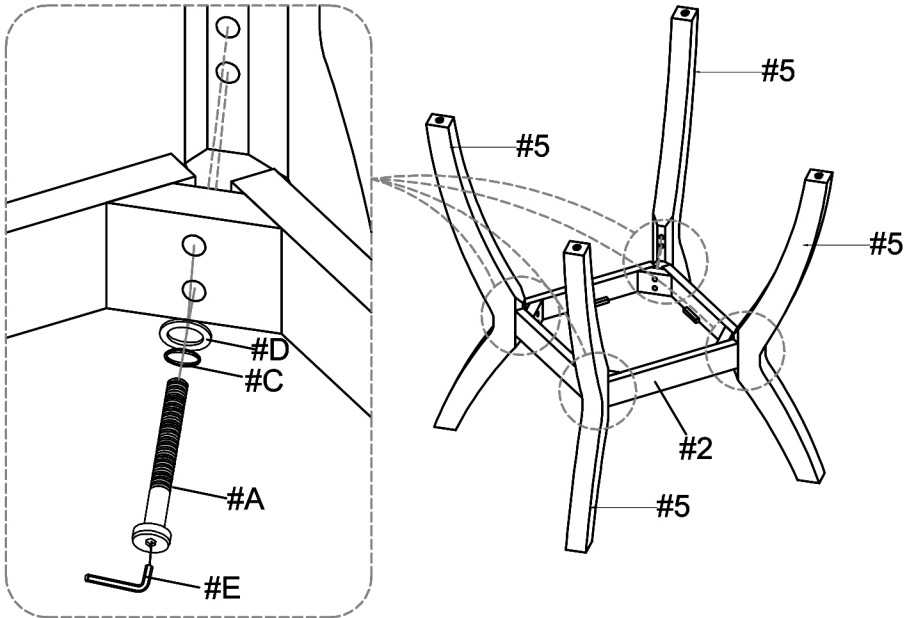


#E x 1pc
Allen Wrench

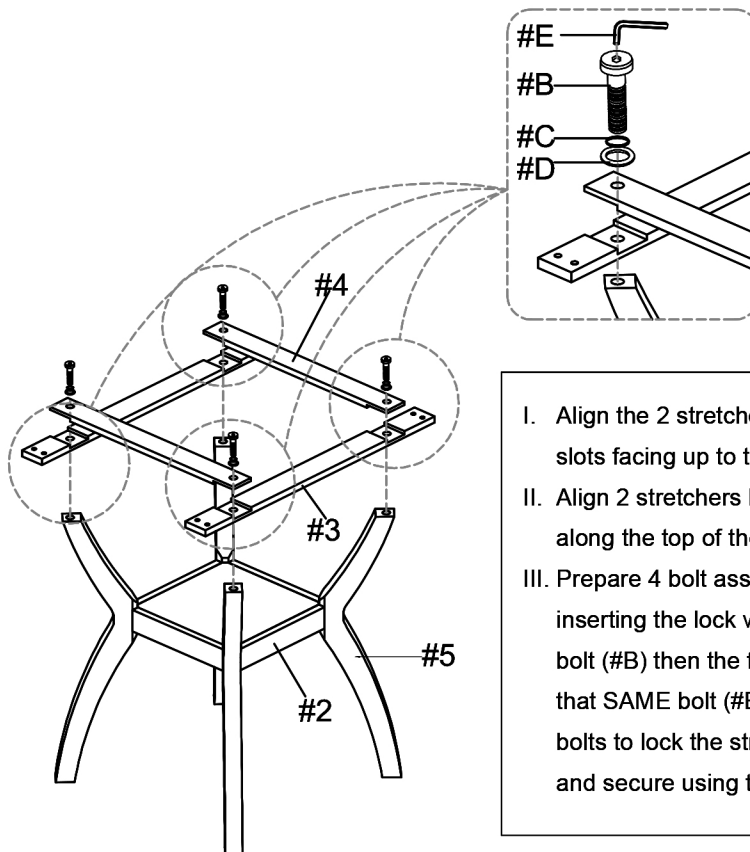


- I. Align the table legs (#5) to the pre-drilled holes on the corners of the table base (#2).
- II. Prepare 8 bolt assemblies by FIRST inserting the lock washer (#C) onto the bolt (#A) then the flat washer (#D) onto that SAME bolt (#A), in that order. Insert into the inner holes on the table base and secure using the Allen wrench (#E).

#A x 8pcs
 #C x 8pcs
 #D x 8pcs



#B x 4pcs
 #C x 4pcs
 #D x 4pcs

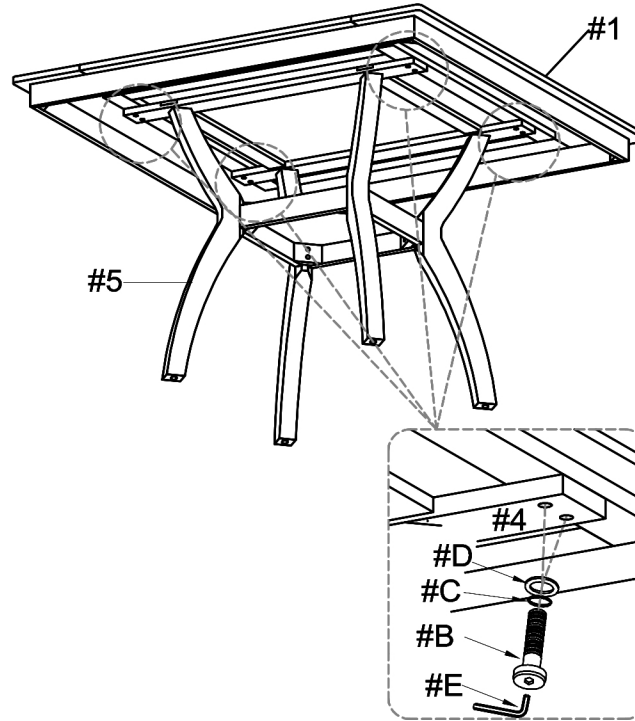


- I. Align the 2 stretchers A (#3) with the slots facing up to the top of the legs (#5).
- II. Align 2 stretchers B (#4) to the slots along the top of the stretchers A (#3).
- III. Prepare 4 bolt assemblies by FIRST inserting the lock washer (#C) onto the bolt (#B) then the flat washer (#D) onto that SAME bolt (#B), in that order. Insert bolts to lock the stretchers with the legs and secure using the Allen wrench (#E).

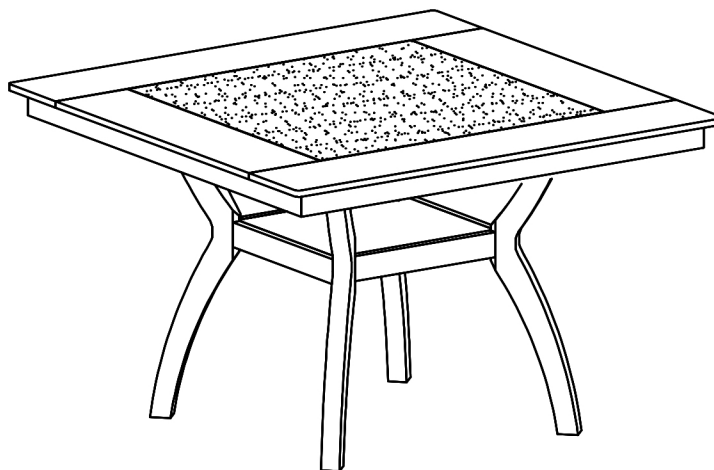


- I. Align the table top (#1) to the pre-drilled holes on the corners of the stretchers.
- II. Prepare 8 bolt assemblies by FIRST inserting the lock washer (#C) onto the bolt (#B) then the flat washer (#D) onto that SAME bolt (#B), in that order. Insert from below and secure using the Allen wrench (#E).

#B x 8pcs
#C x 8pcs
#D x 8pcs

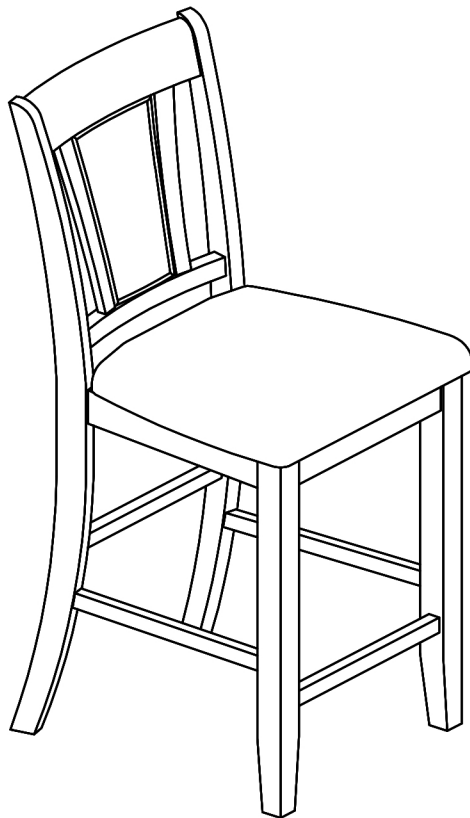


Carefully turn the completed table upright. Make sure the table is rested on a flat surface and does not feel loose or wobbly. If it does, double check that the bolts are secured and properly tightened.



ASSEMBLY IS COMPLETED

ASSEMBLY INSTRUCTIONS



TOOLS REQUIRED



Allen Wrench

(Included)



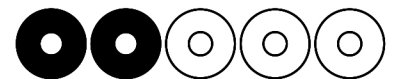
Phillips
Screwdriver

(Not Included)



2 - People
Recommended

ASSEMBLY RATING



EASY —————> DIFFICULT

The Assembly Rating is a 5-point system showing the level of effort needed to assemble a specific product.



CHECK BEFORE STARTING

Are you missing anything?

Double-check all parts, hardware and accessories listed on Page 6 are accounted for.

Should we send any replacements?

Are there any irregularities or flaws in the parts? We can send replacements!

Check out our Quick Tips!

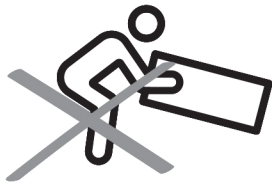
We recommend reviewing the pre-assembly handouts. Even experts need a refresher now and then!

Prep Time!

Please review the assembly instructions and all diagrams prior to assembling. Arrange parts as recommended on Page 7 and group identical hardware together to make assembling easier.

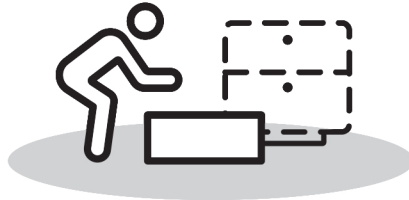
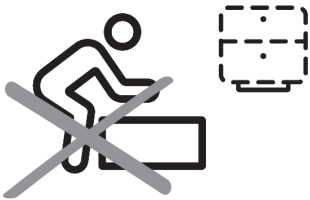
PRE ASSEMBLY INTRODUCTION

We understand building ready-to-assemble furniture can be a challenging experience for some. To help avoid confusion, we have provided some helpful tips that may speed up the process.



Teamwork

ALWAYS have at least two people to help with transporting and assembling the product to avoid potential injury and/or damage.



Suitable Location

Assembling near the area of the intended location is highly recommended.



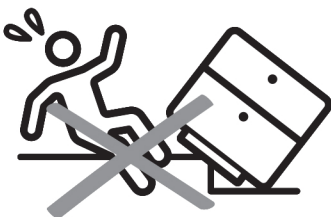
Sufficient Space

Make sure you have enough space to move around during the assembly.



Avoid Scratches

Use cardboard, blankets or a carpeted area while assembling furniture to prevent scratches.



Flat Surface

Make sure the furniture rests on a flat and level surface with each leg evenly touching the floor.

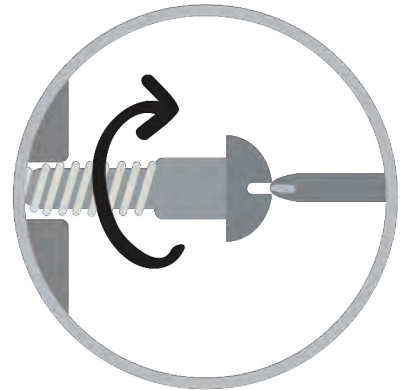
ASSEMBLY AND CARE ADVICE



FAILURE TO FOLLOW THE GUIDELINES BELOW MAY RESULT IN INJURY AND/OR PROPERTY DAMAGE.



Position each part correctly and insert screws or bolts into their respective holes.



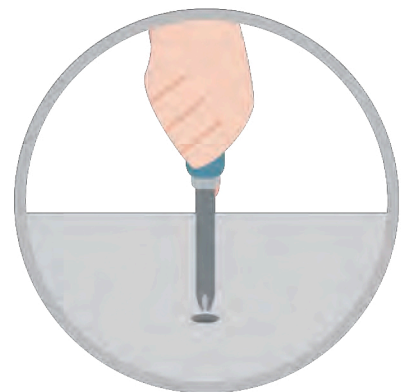
Turn clockwise to tighten and only tighten when step is completed or when instructed to do so.



Use the appropriate hand tools or power tools for assembly. Select steps, such as tightening screws and/or bolts, may require hand tools to avoid causing damage during assembly.



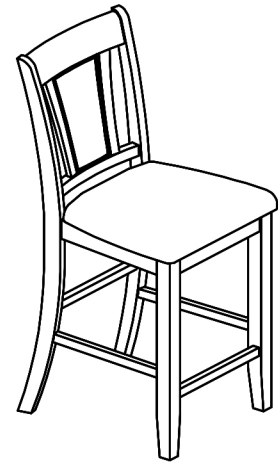
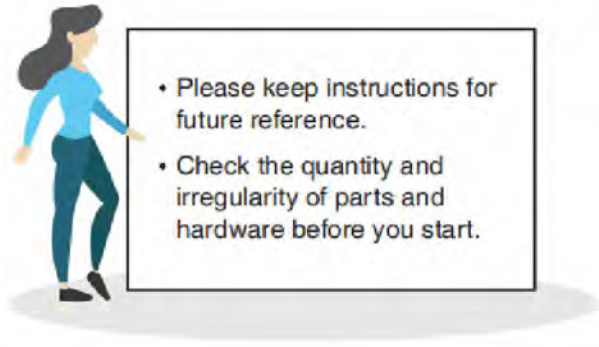
Save the instructions and store any supplied tools for later maintenance.



After two weeks, check and tighten any loose hardware and repeat again every six months thereafter.

IT IS THE USER'S RESPONSIBILITY TO MAINTAIN THE FURNITURE. THE HARDWARE MAY LOOSEN OVER TIME AND MAY CAUSE THE FURNITURE TO BE WOBBLY AND UNABLE TO SUPPORT ITS INTENDED WEIGHT CAPACITY. THIS MAY LEAD TO COLLAPSE AND MAY CAUSE SERIOUS INJURY.

Hight Chair



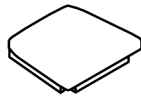
PARTS

#1 1pc x 2



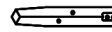
Backrest w/Legs

#2 1pc x 2



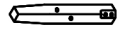
Seat

#3 1pc x 2



Front Left Leg

#4 1pc x 2



Front Right Leg

#5 1pc x 2



Front Leg Spport

#6 1pc x 2



Left Leg Spport

#7 1pc x 2



Right Leg Spport

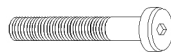
HARDWARE

#A 4pcs x 2



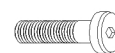
Bolt • • • • x 3"

#B 4pcs x 2



Bolt • • • • x 2-1/2"

#C 2pcs x 2



Bolt • • • • x 4-1/2"

#D 10pcs x 2



Lock Washer
• • • • • • • • • •

#E 10pcs x 2



Flat Washer • • • • • • • • • •

#F 1pc x 2

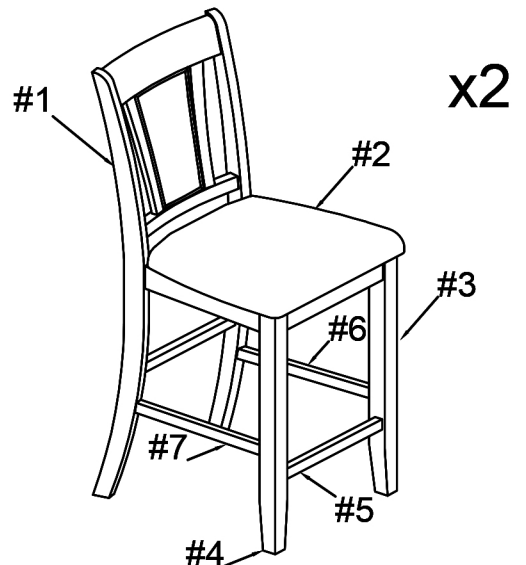


Allen Wrench

#G 6pcs x 2



Screw



ASSEMBLY INSTRUCTIONS

1

Part #1 x1pc

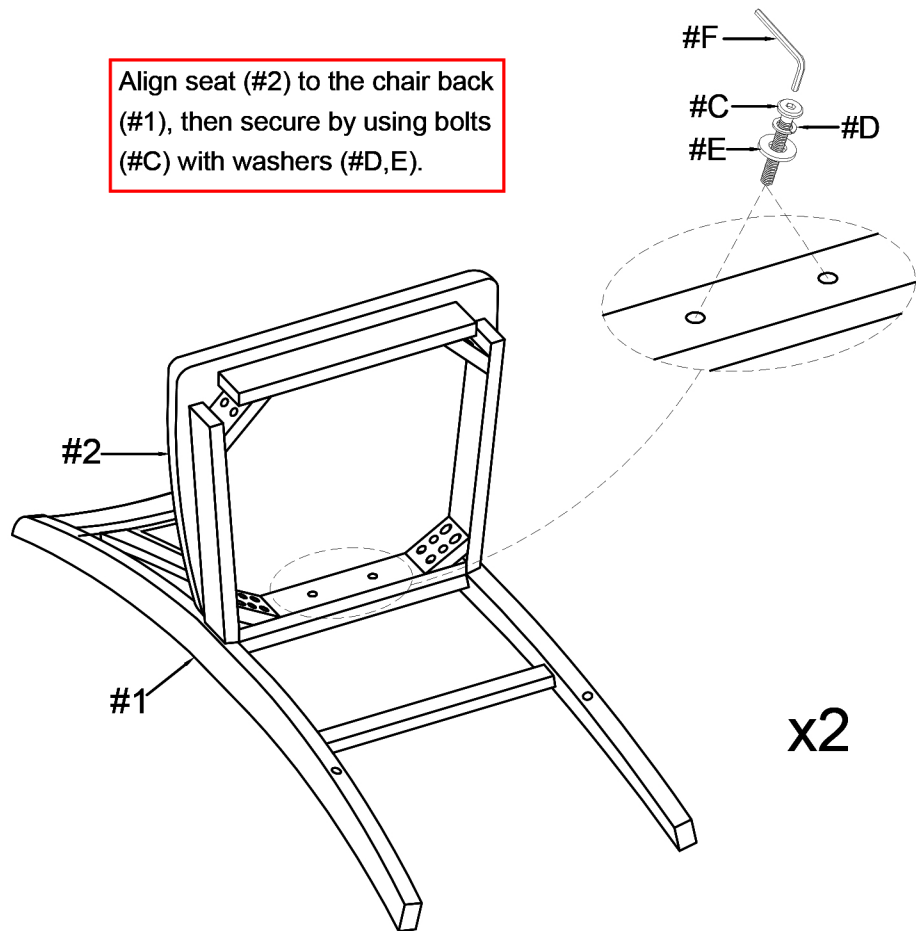
Part #2 x1pc

Hardware #C x2pcs

Hardware #D x2pcs

Hardware #E x2pcs

Align seat (#2) to the chair back (#1), then secure by using bolts (#C) with washers (#D,E).



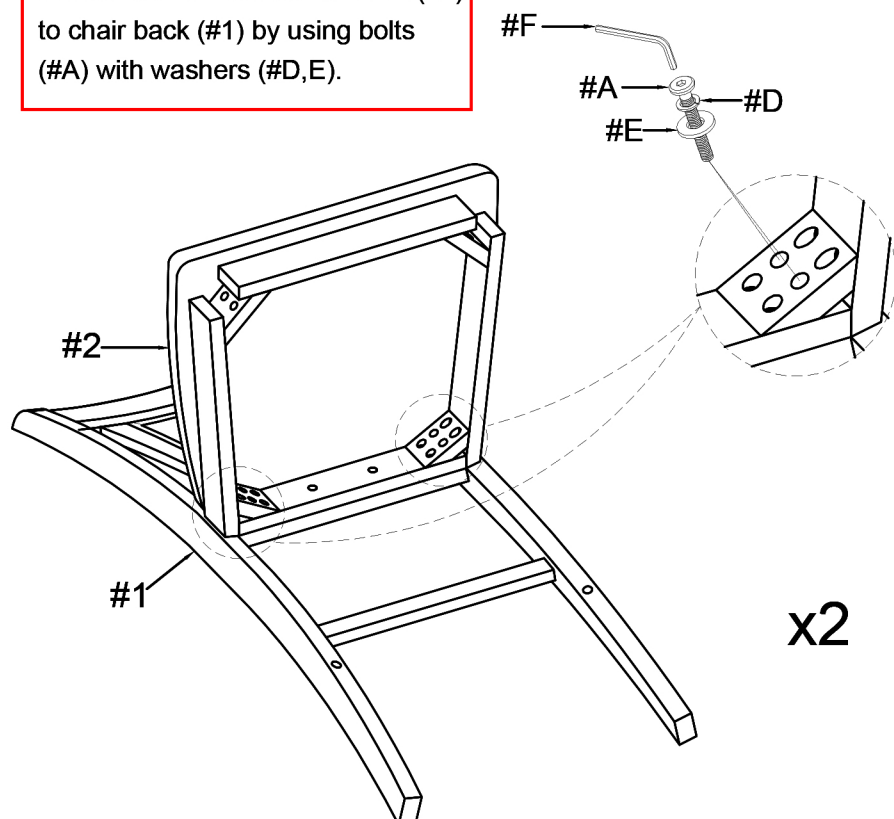
2

Hardware #A x4pcs

Hardware #D x4pcs

Hardware #E x4pcs

Secure corner holes of the seat (#2) to chair back (#1) by using bolts (#A) with washers (#D,E).



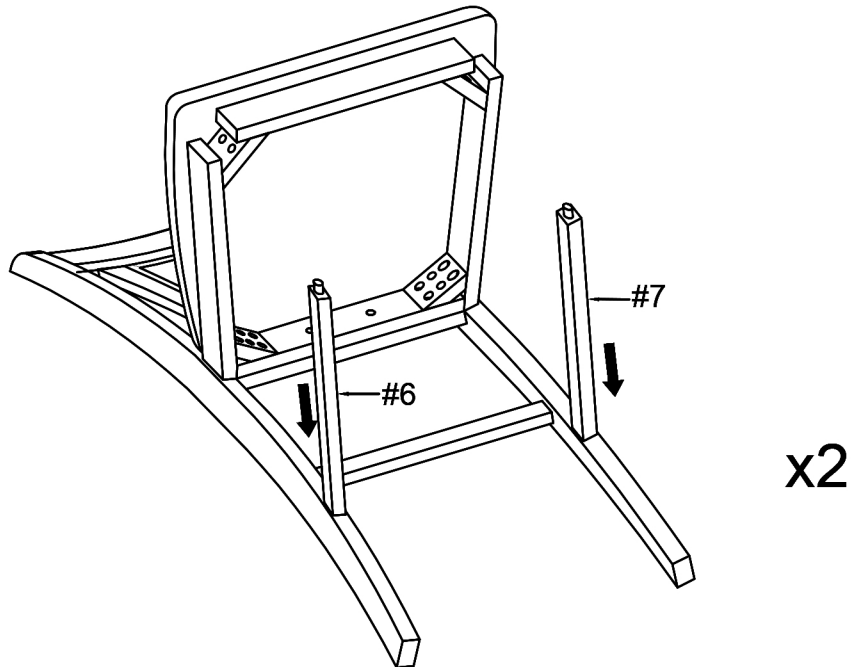
ASSEMBLY INSTRUCTIONS

3

Part #6 x1pc

Part #7 x1pc

Align stretchers (#6,7) to the chair back legs.



4

Part #3 x1pc

Part #4 x1pc

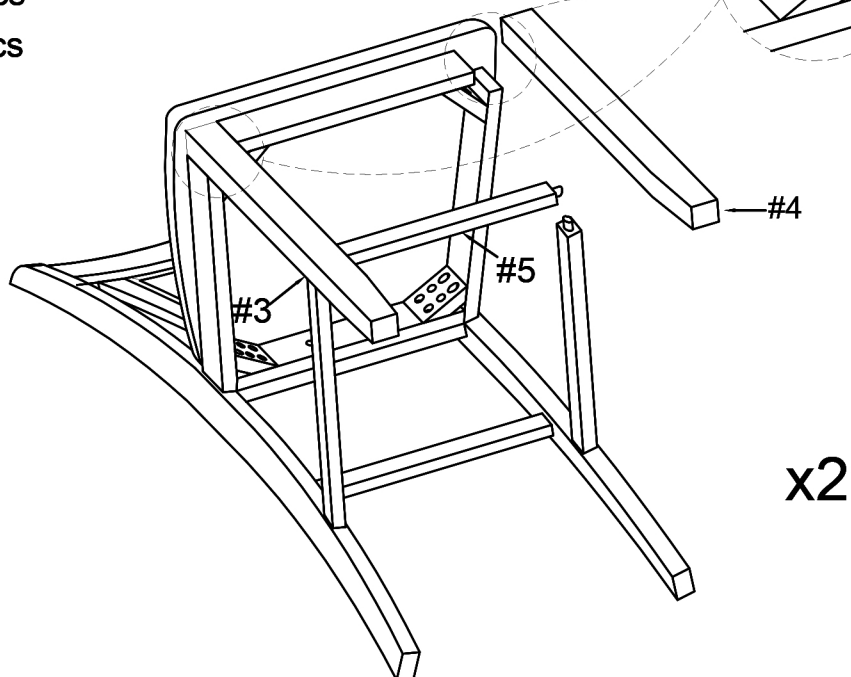
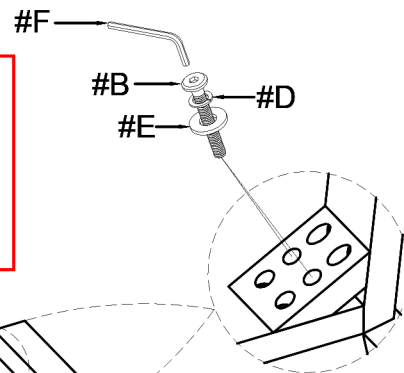
Part #5 x1pc

Hardware #B x4pcs

Hardware #D x4pcs

Hardware #E x4pcs

Align front legs (#3,4) to the stretchers (#5,6,7) and seat (#2), then secure front legs (#3,4) to seat (#2) by using bolts (#B) with washers (#D,E).

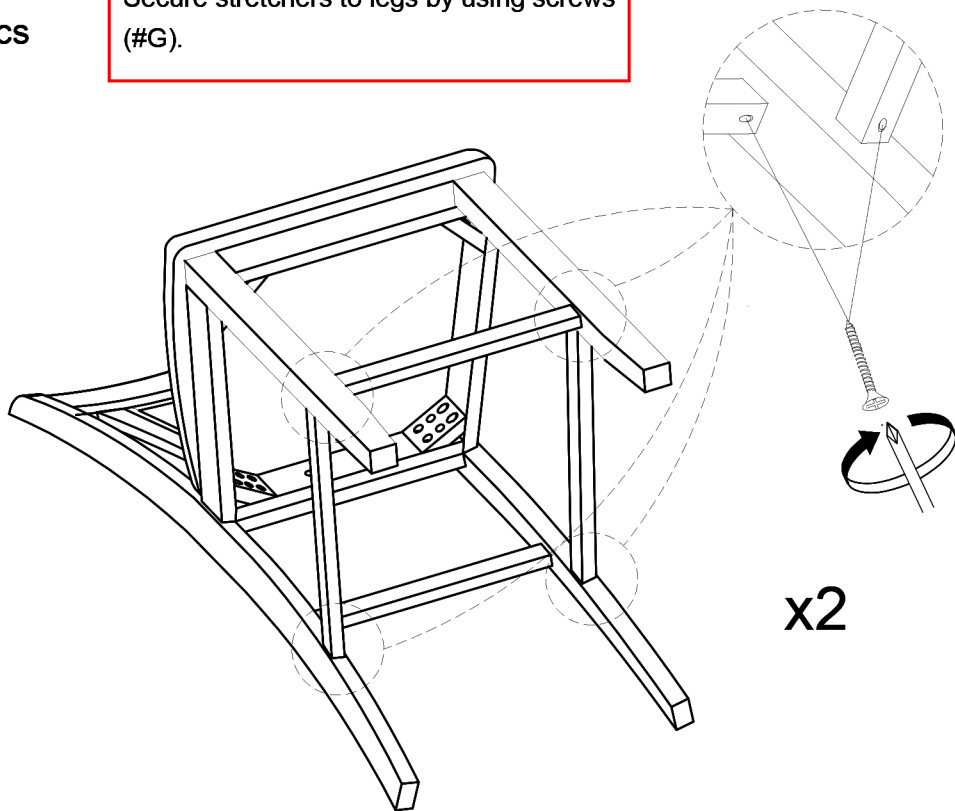


ASSEMBLY INSTRUCTIONS

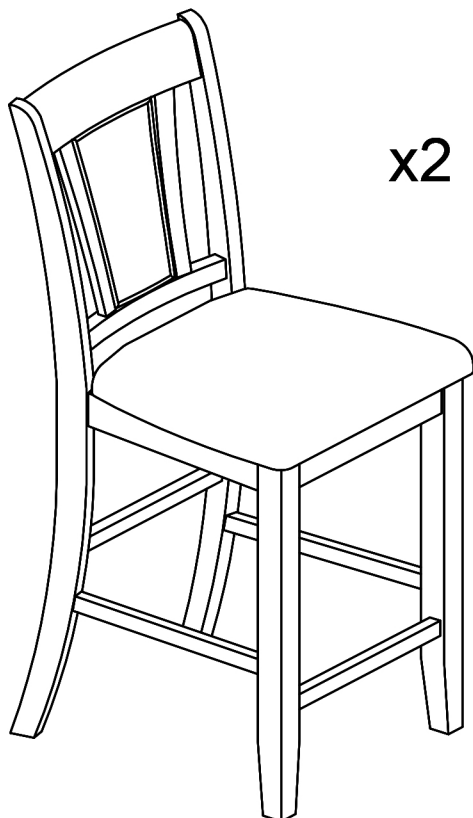
5

Hardware #G x6pcs

Secure stretchers to legs by using screws (#G).



6



ASSEMBLY COMPLETED



Please ensure the furniture rests on even and flat surface. If the product wobbles or feels loose, double-check all bolts and/or screws are properly tightened and secured.



Keep this handy!

Please retain this instruction manual and any order-related information for future reference



Lift, don't drag!

To avoid damage to product please always LIFT the product when transporting or adjusting the placement