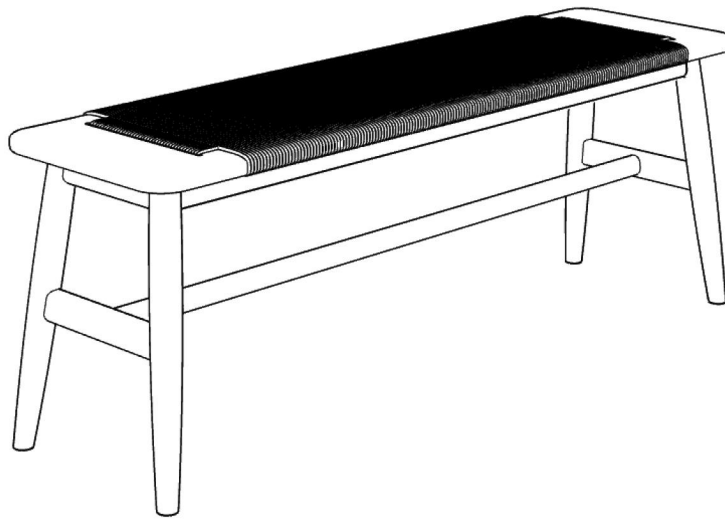


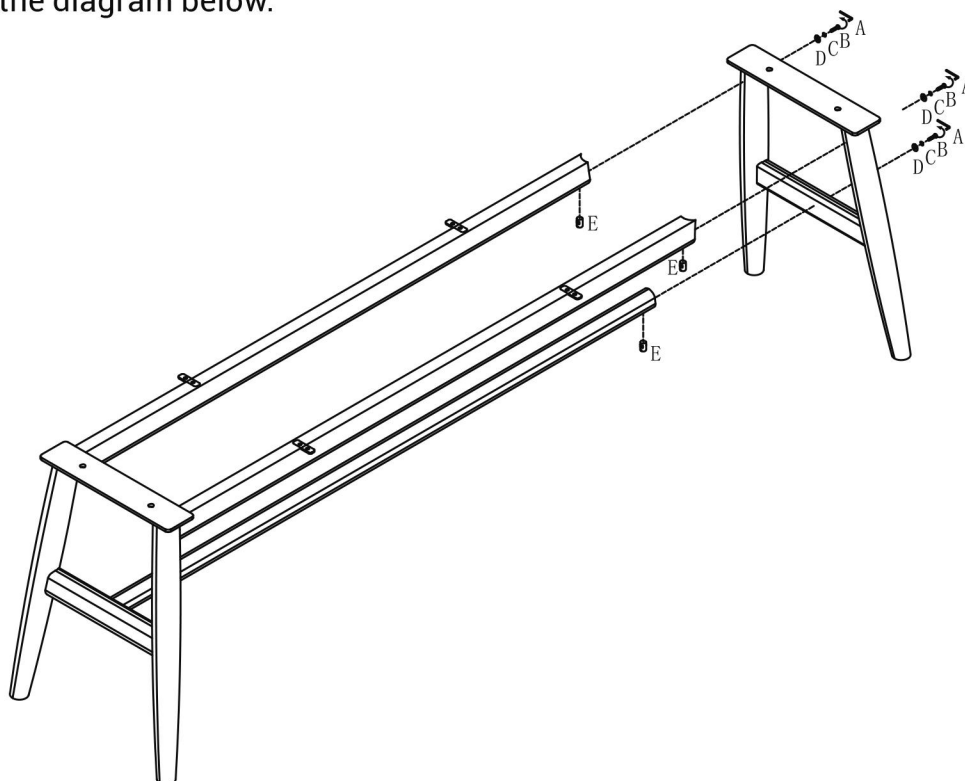
# Oak Series – Bench with woven rope

## Assembly Instructions

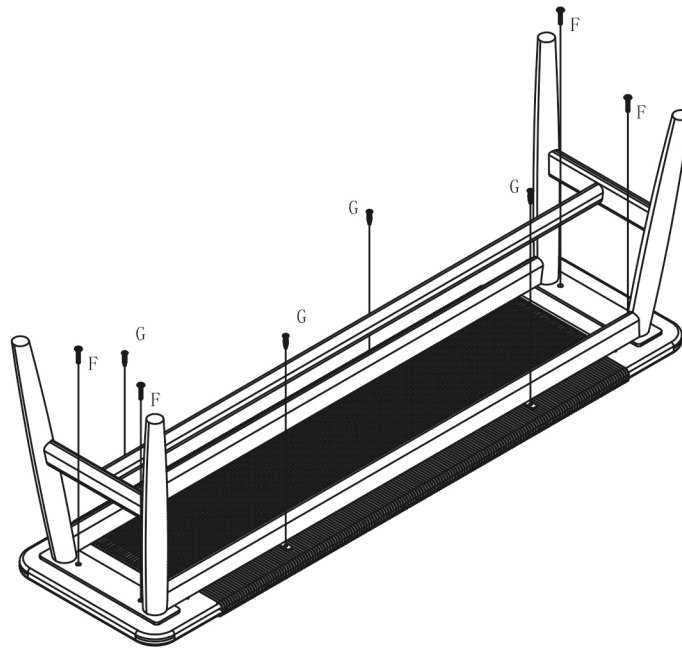


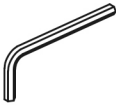






The assembly steps are as follows:

Step 1: Build the base by attaching the 2 aprons and the stretcher to the 2 pairs of legs as shown in the diagram below.



Step 2: Lay the bench top facedown on a flat, clean and non-abrasive surface. As shown in the diagram below, attach the base to the bench top using the socket cap screws (F), and fasten the aprons to the bench top using the self-tapping screws (G).



|   |   |   |   |   |   |   |
|---|---|---|---|---|---|---|
|  |  |  |  |  |  |  |
| A. Allen key x 1  | B. Socket cap screws (M6×50) x 6  | C. Split washers (M6×8) x 6   | D. Flat washers (M6×12) x 6   | E. Cross dowel barrel nuts (Ø10) x 4  | F. Socket cap screws (M6×15) x 4  | G. Self-tapping screws (Ø4×20) x 4  |