


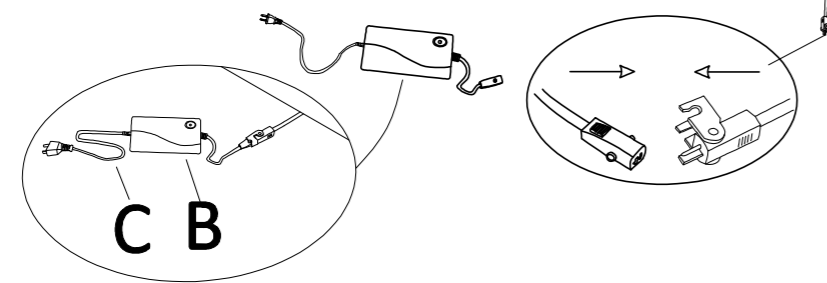
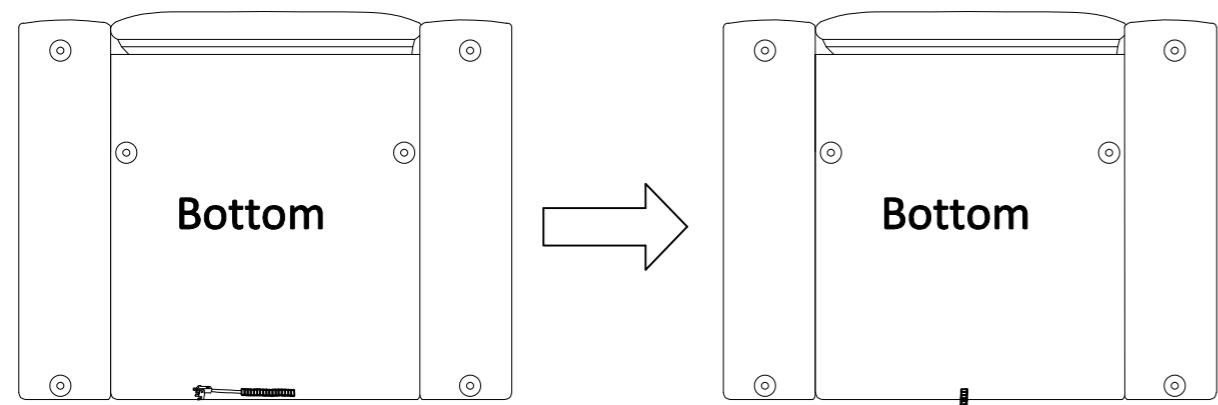
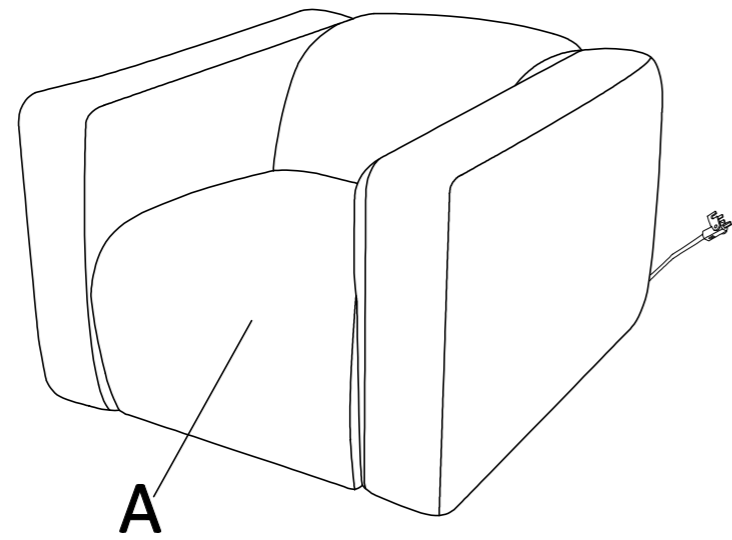


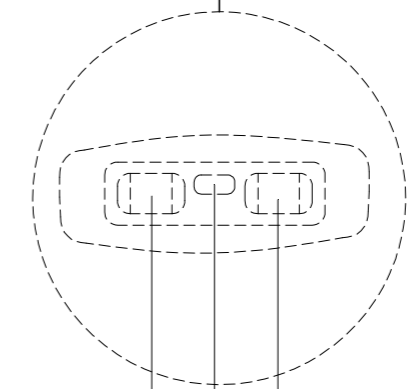
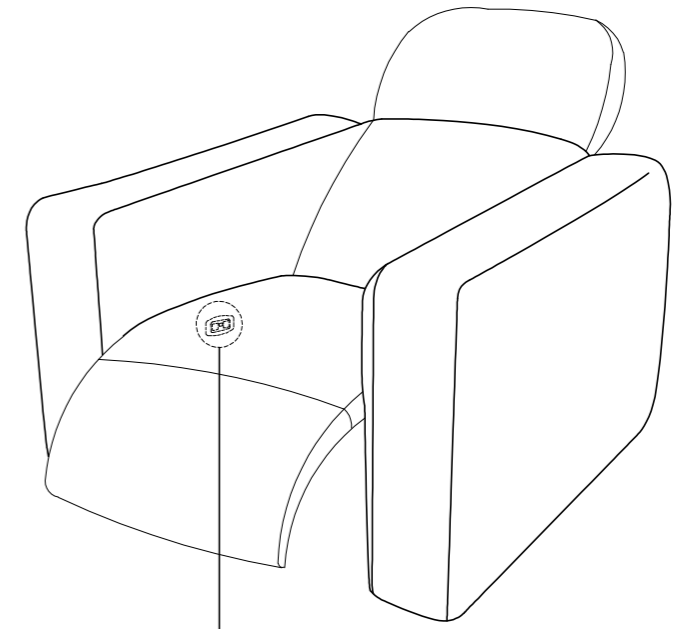
A		1pc	Body
B		1pc	Transformer
C		1pc	Charger

① Pull the power input wire from the back of the body, connect with the transformer and charger.



Connect B and C

② Find switch panel on the side of the seat cushion .



Footrest control button
Home button
Headrest control button

Product description: Motion Chair