


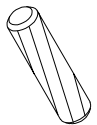
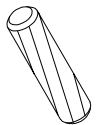
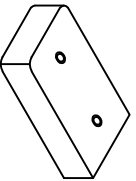
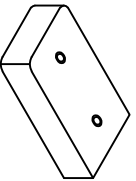


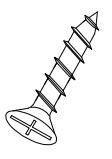
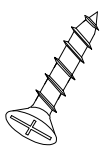
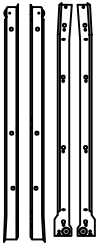
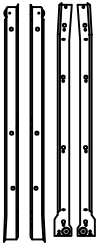
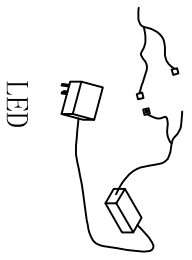
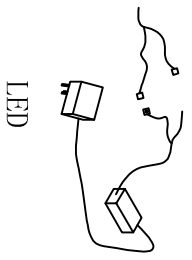
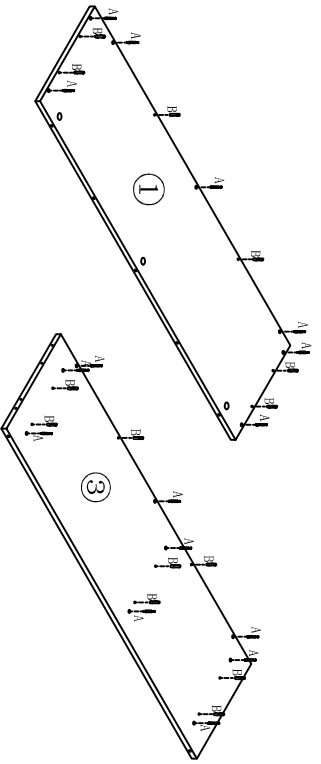
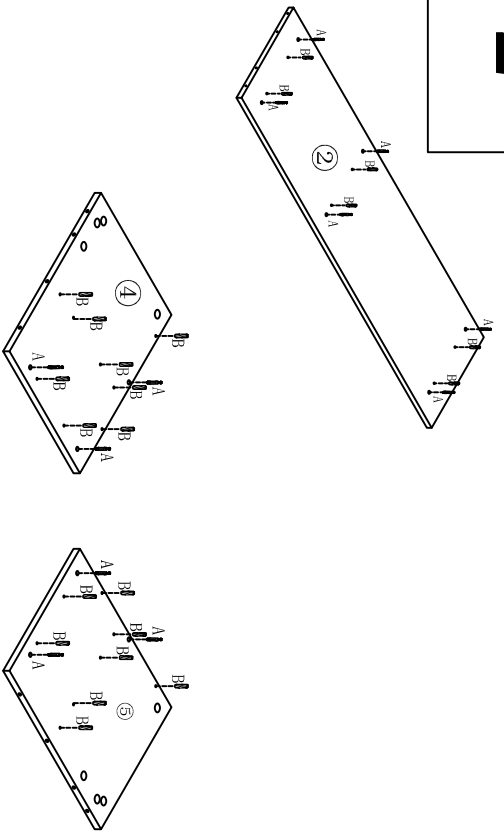


| | | | | | | | | | |
|--|---|---|--|---|---|---|---------------|---|---------------|
| A | 47 PCS | B | 44 PCS | C | 1 PCS | D | 16 PCS | E | 8 PCS |
|   |  |  |  $\phi 8*30$ |  |  |  | $\phi 3.5*14$ |  | $\phi 3.5*30$ |
| F | 2 PCS | G | 2 PCS | H | 1 PCS | | | | |
|  $\phi 4*25$ |  |  |  |  LED |  LED | | | | |

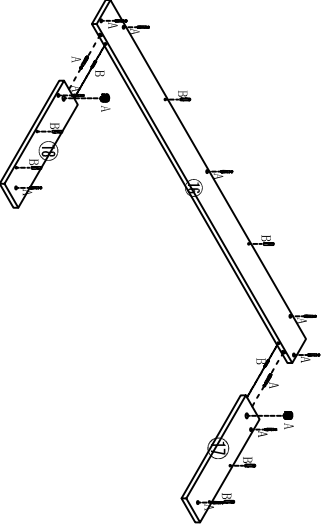
1



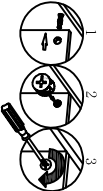
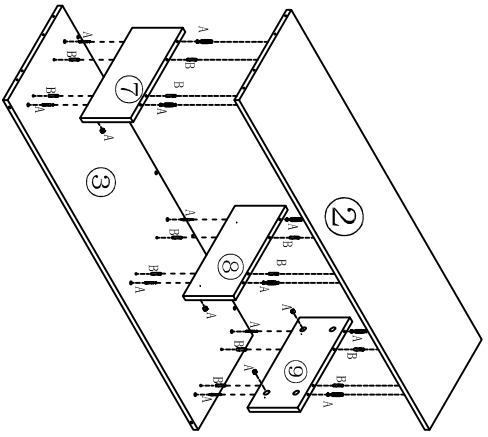
2



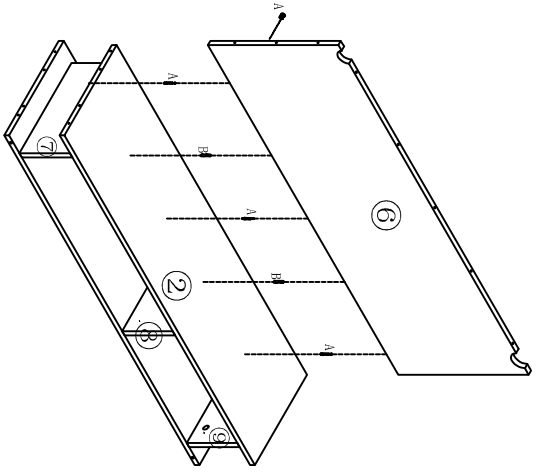
3



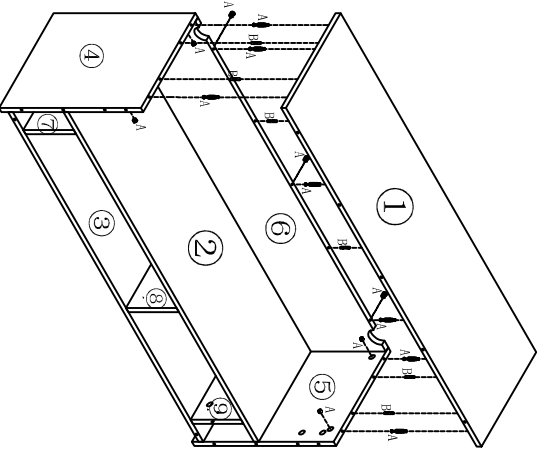
4



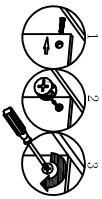
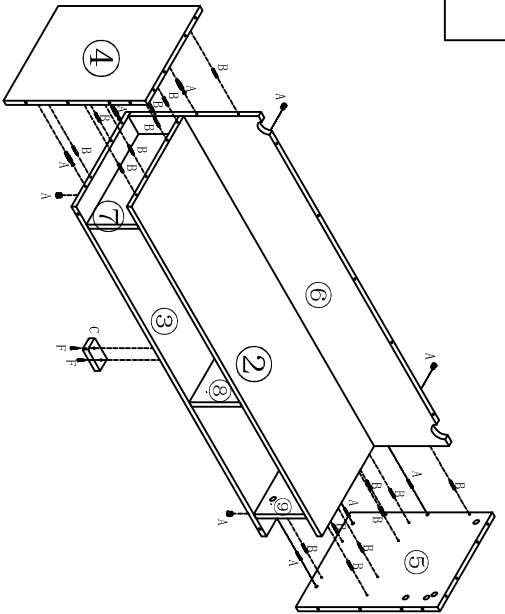
5



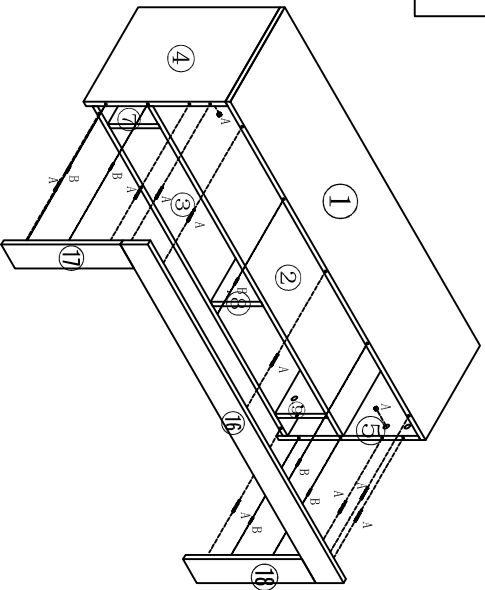
7



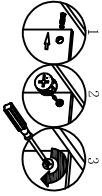
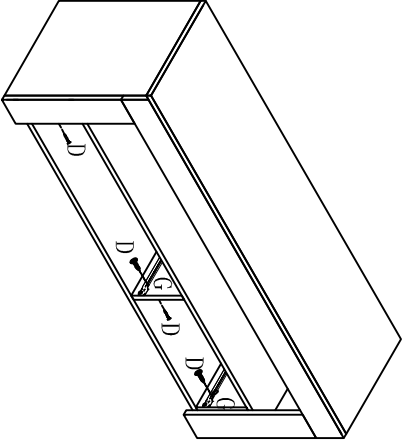
6



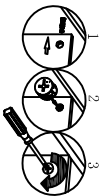
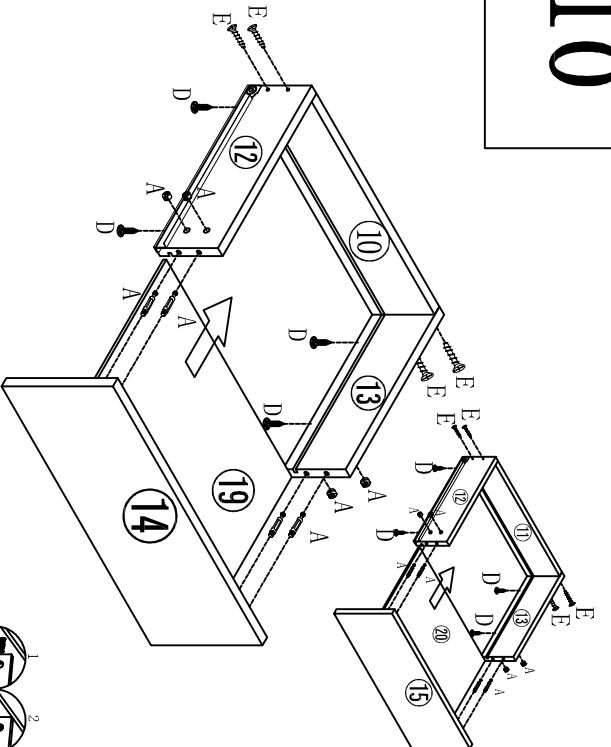
8



9



10



11

