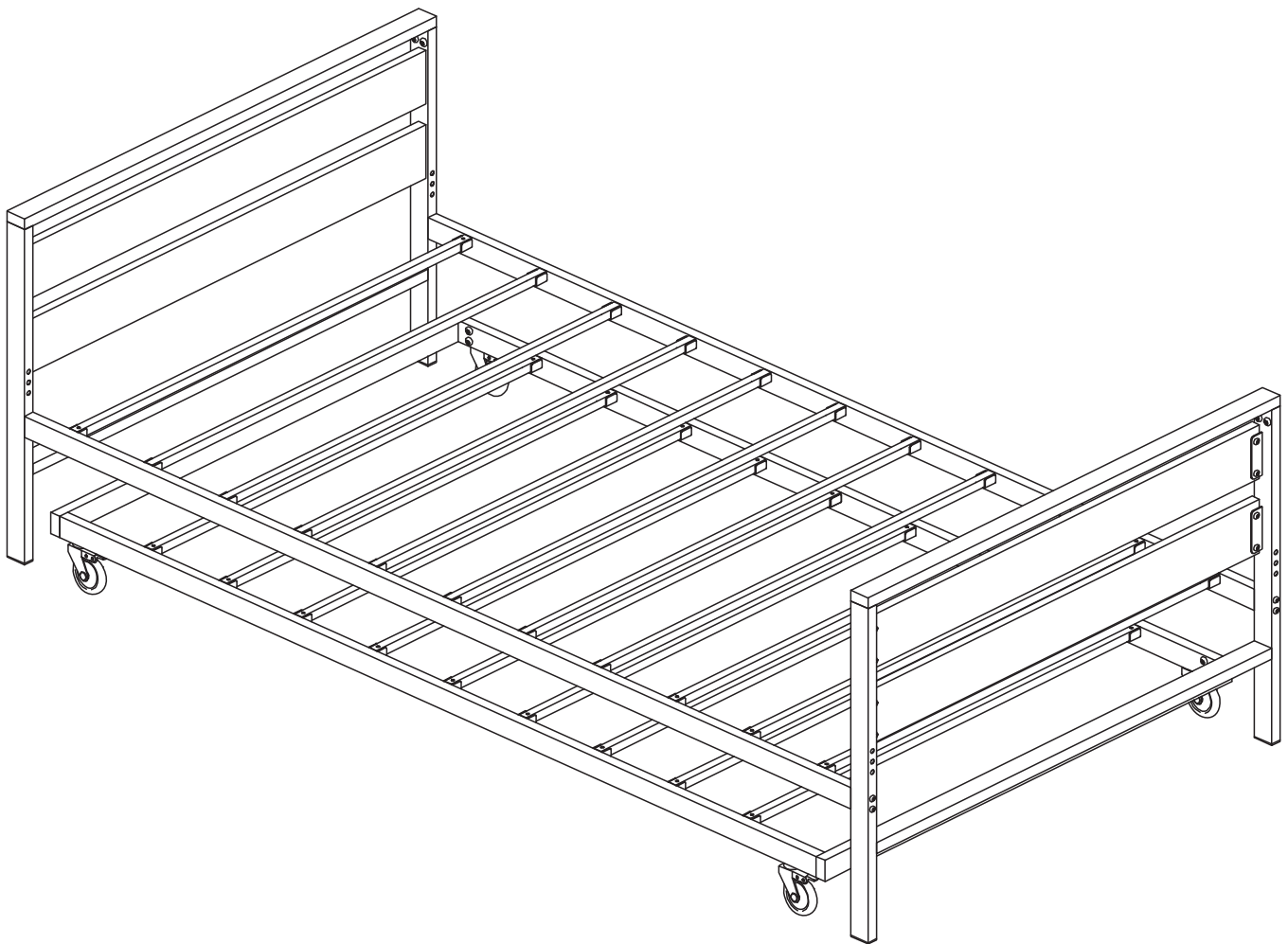


OLD-V 1

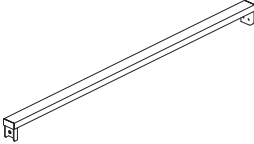
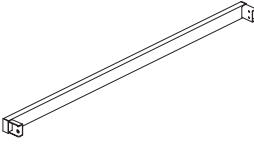
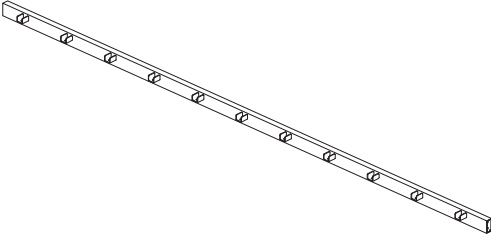
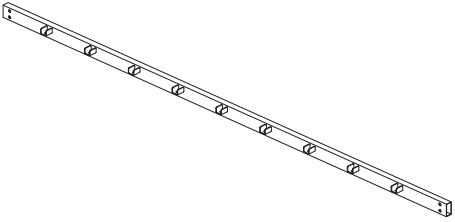
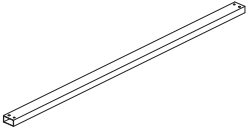

FTBFBF-1001


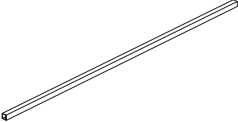
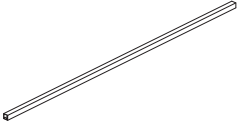
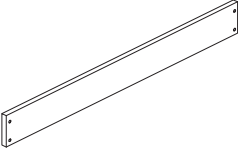
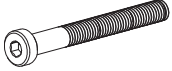


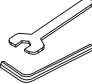


BED FRAME



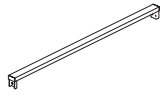
1. Two or more people are required for the assembly.
2. To avoid squeaking, fix the bolts tight until they can no longer turn. An electric drill is recommended for the assembly.

Item no.	Reference Image	Qty.
A1		X2
A2		X2
B1		X2
B2		X2
C		X2
D1		X2

Item no.	Reference Image	Qty.
D2		X2
E1		X11
E2		X9
F		X4
G		X8+1extra
H		X80+8extra
I		X4
J		X1

2

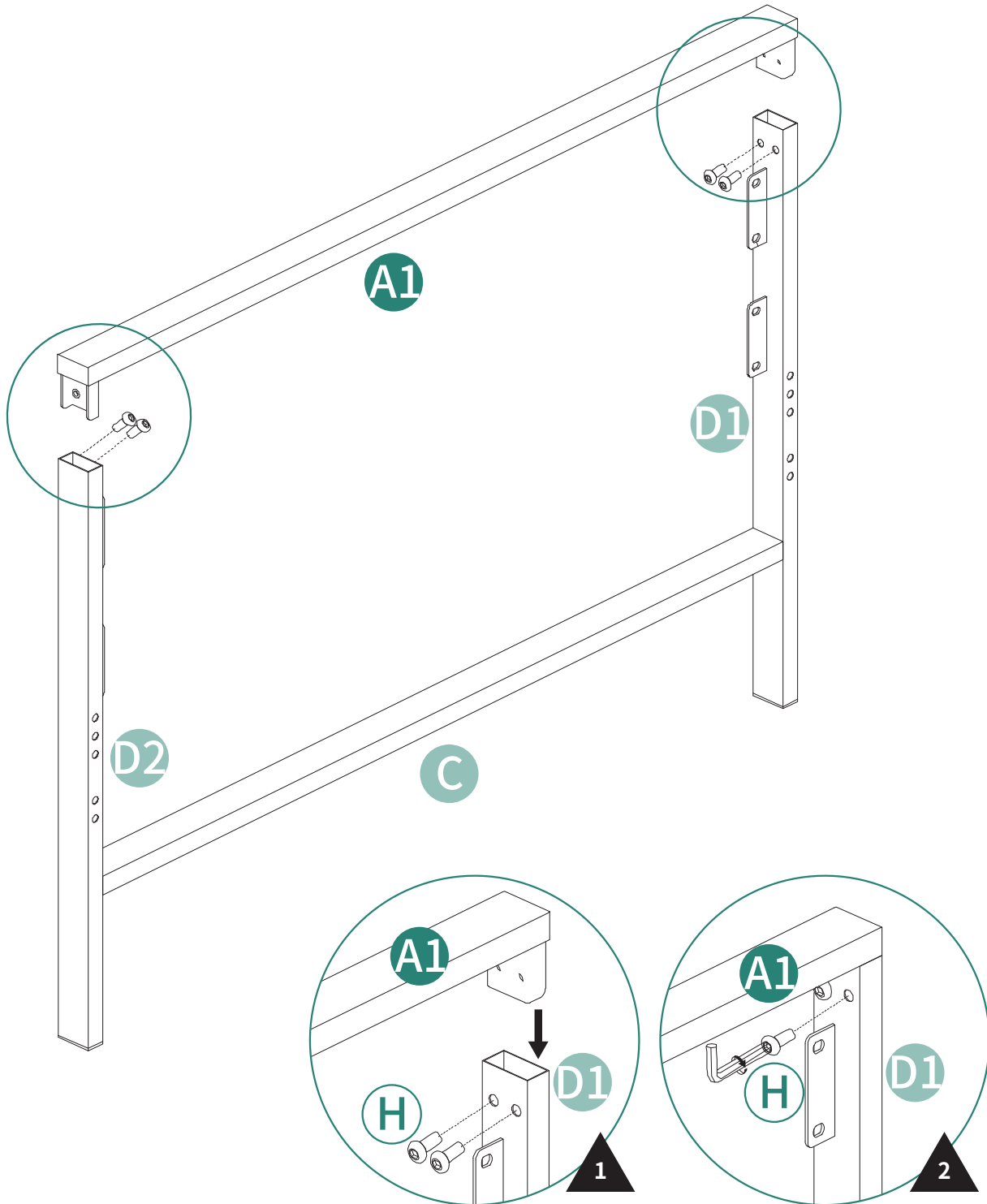
X2



(A1) 2pcs

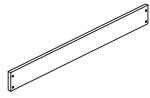


(H) 8pcs



3

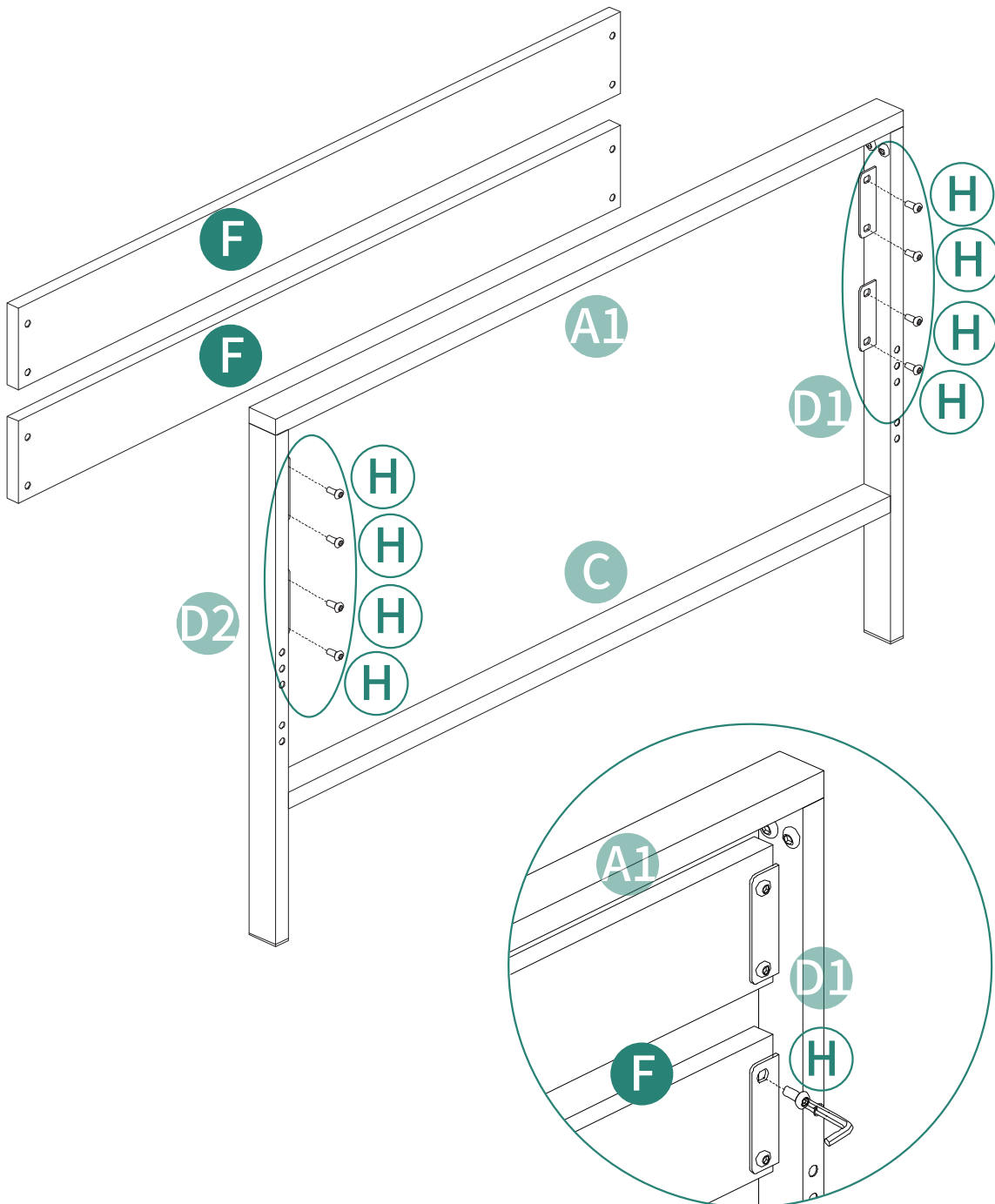
X2



ⓕ4pcs



ⓓ16pcs



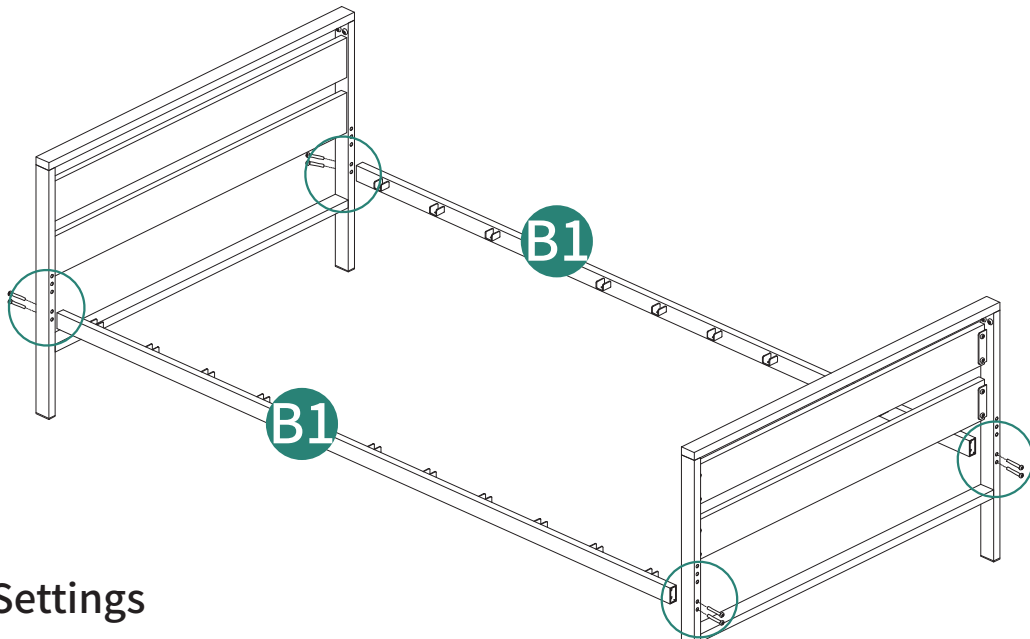
4



ⓑ1 2pcs

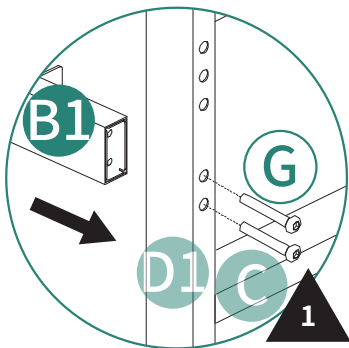


Ⓒ 8pcs

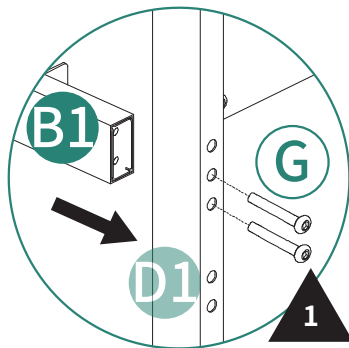


3 Height Settings

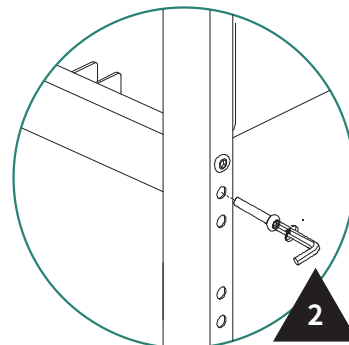
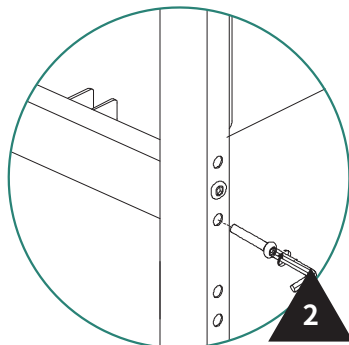
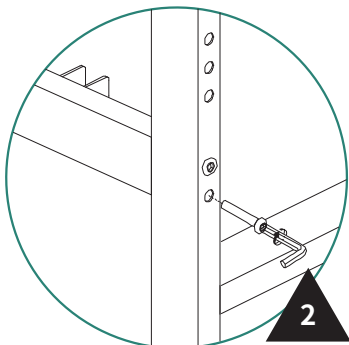
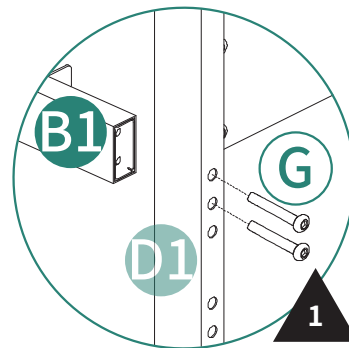
Method 1





Method 2

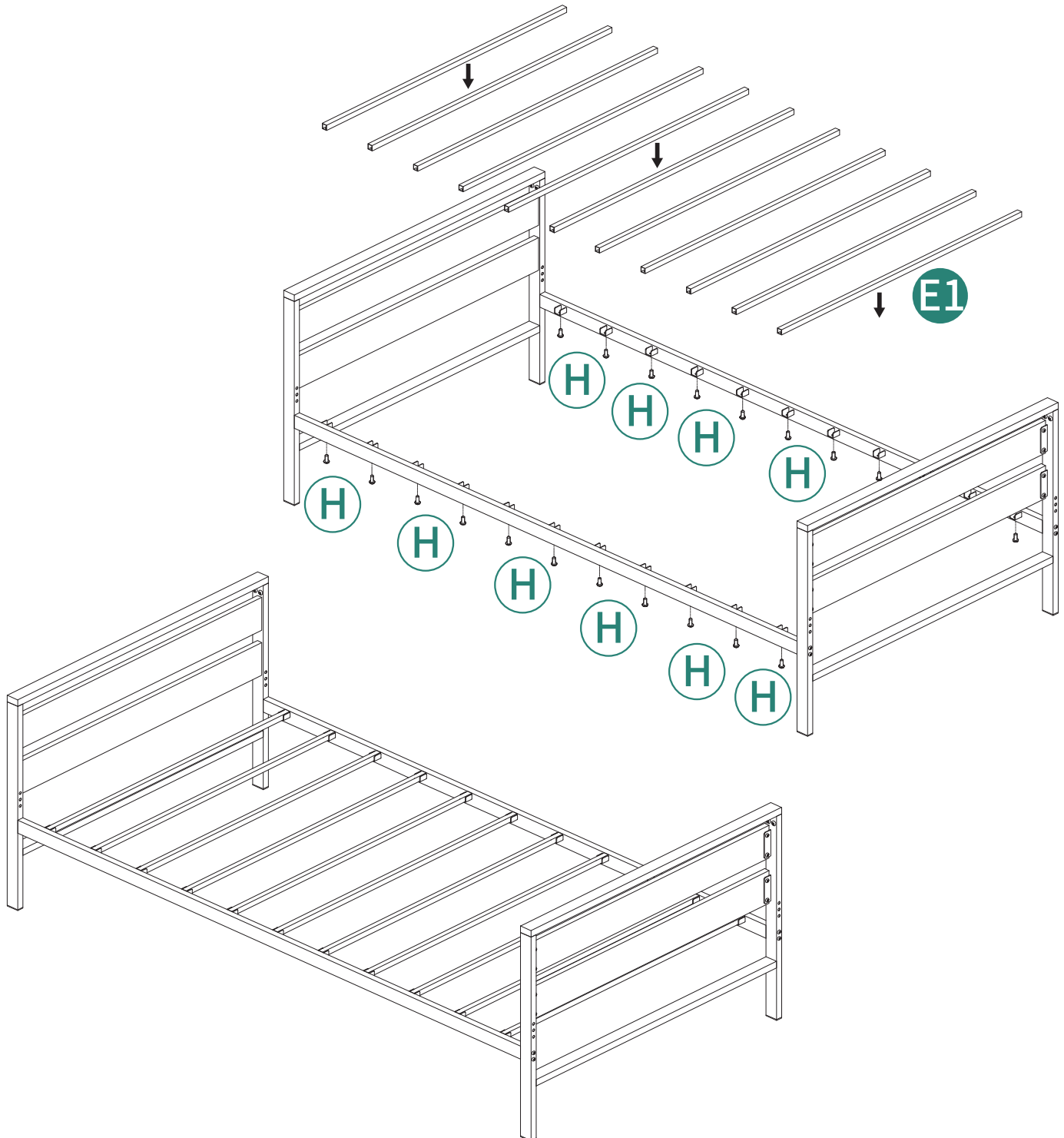


Method 3

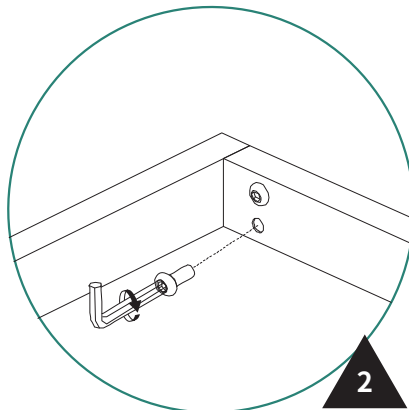
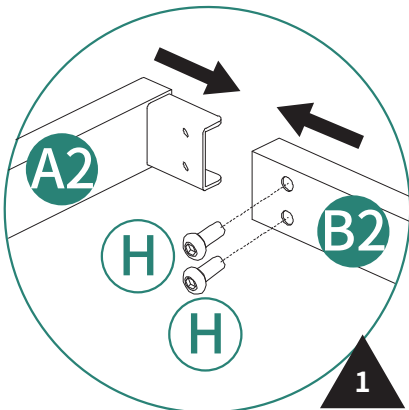
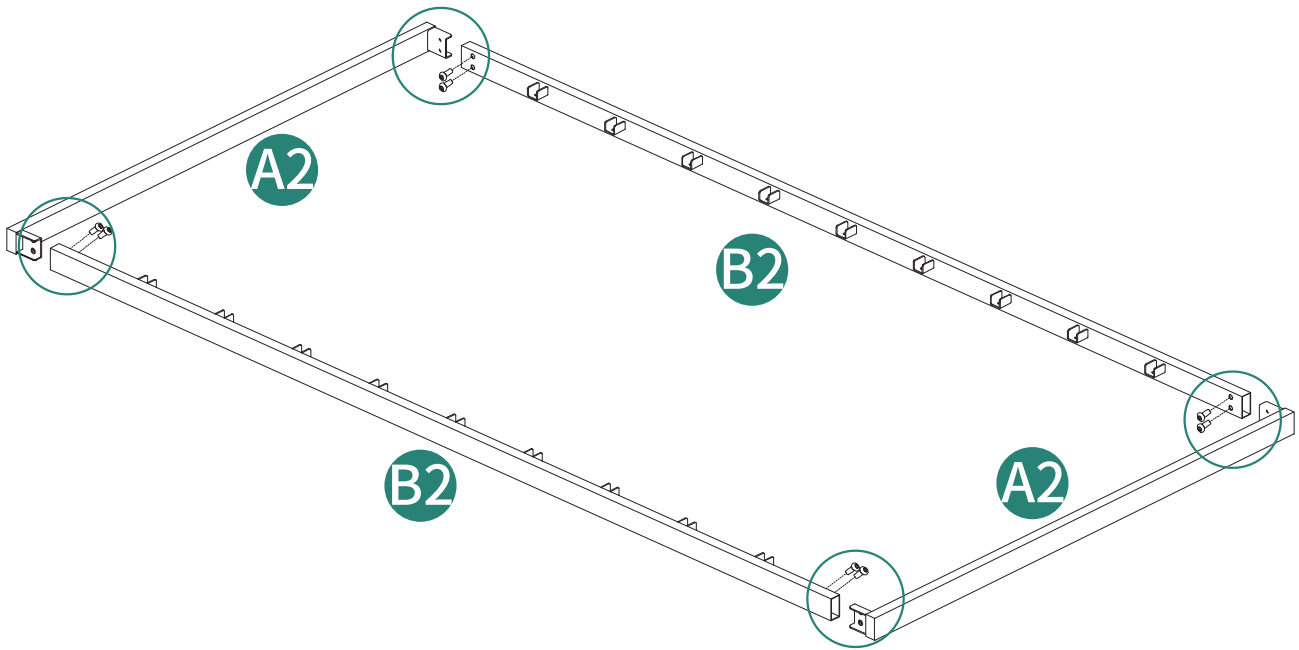
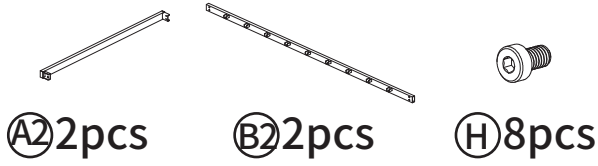


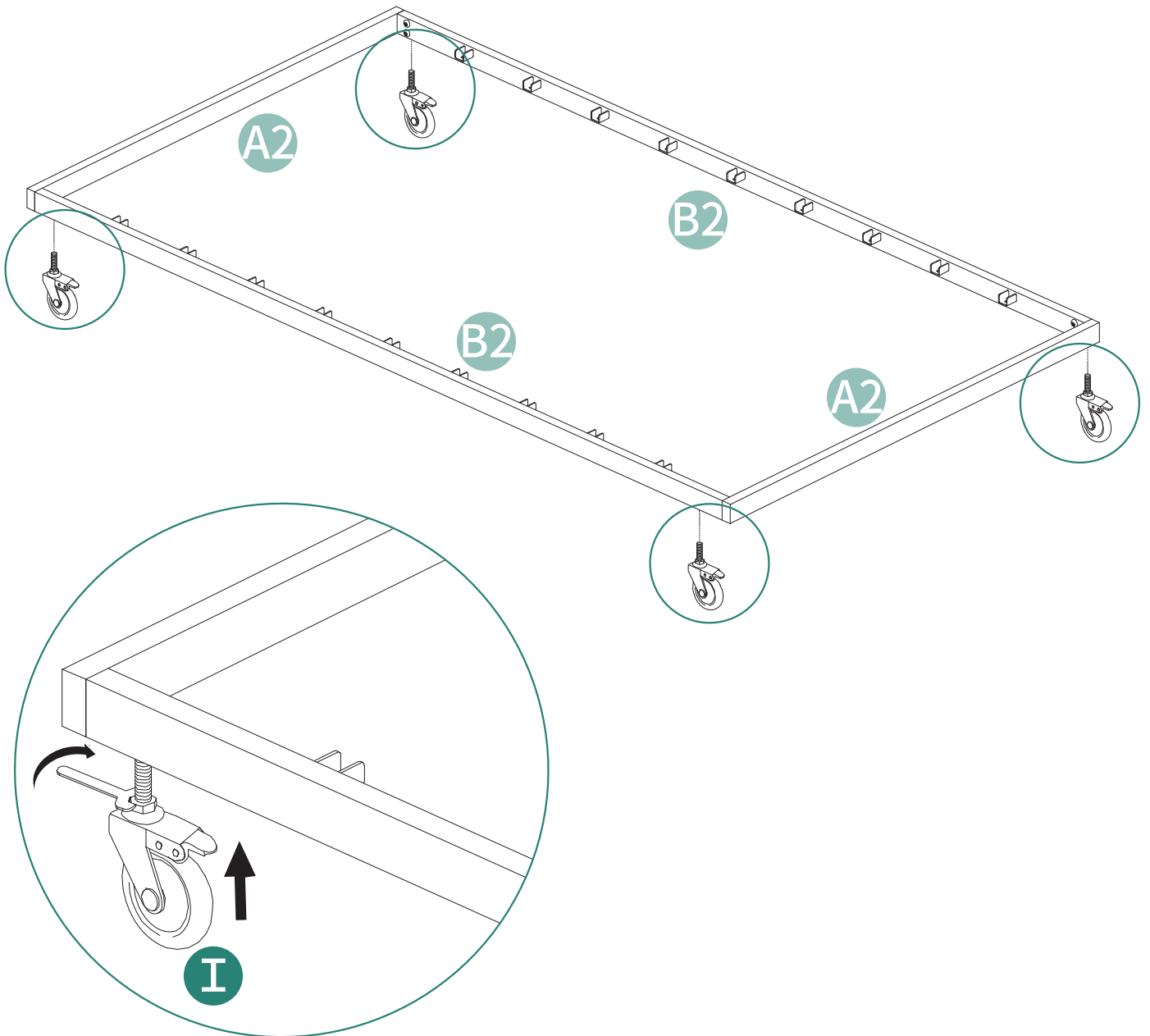
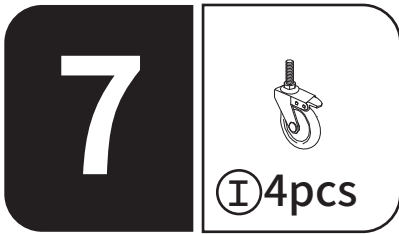
5

 
ⓔ1 11pcs ⓓ 22pcs

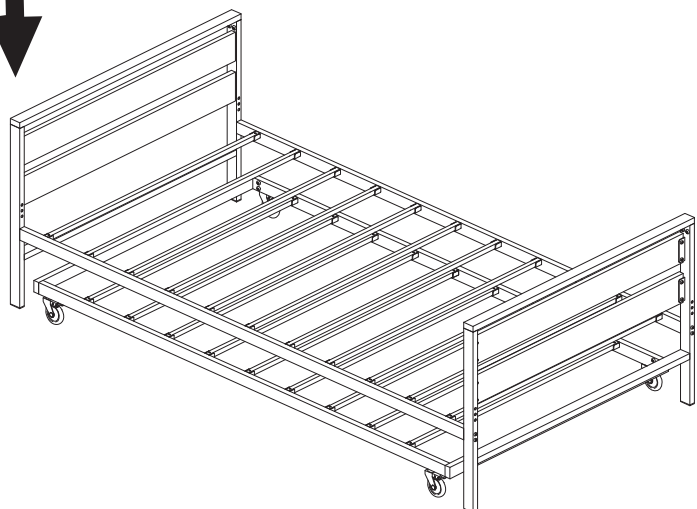
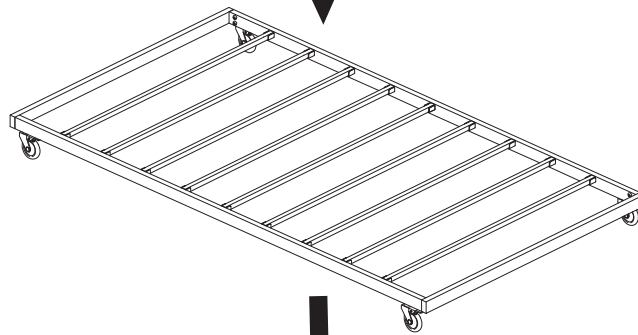
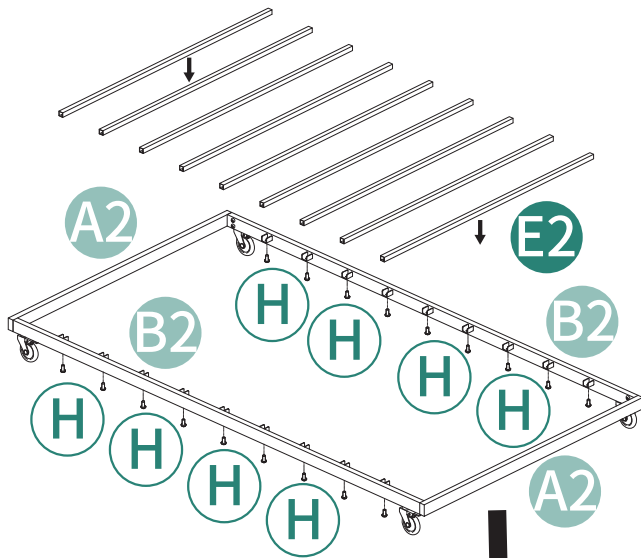
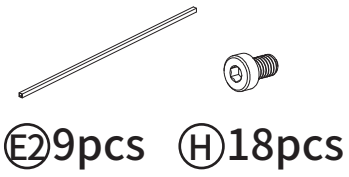


6

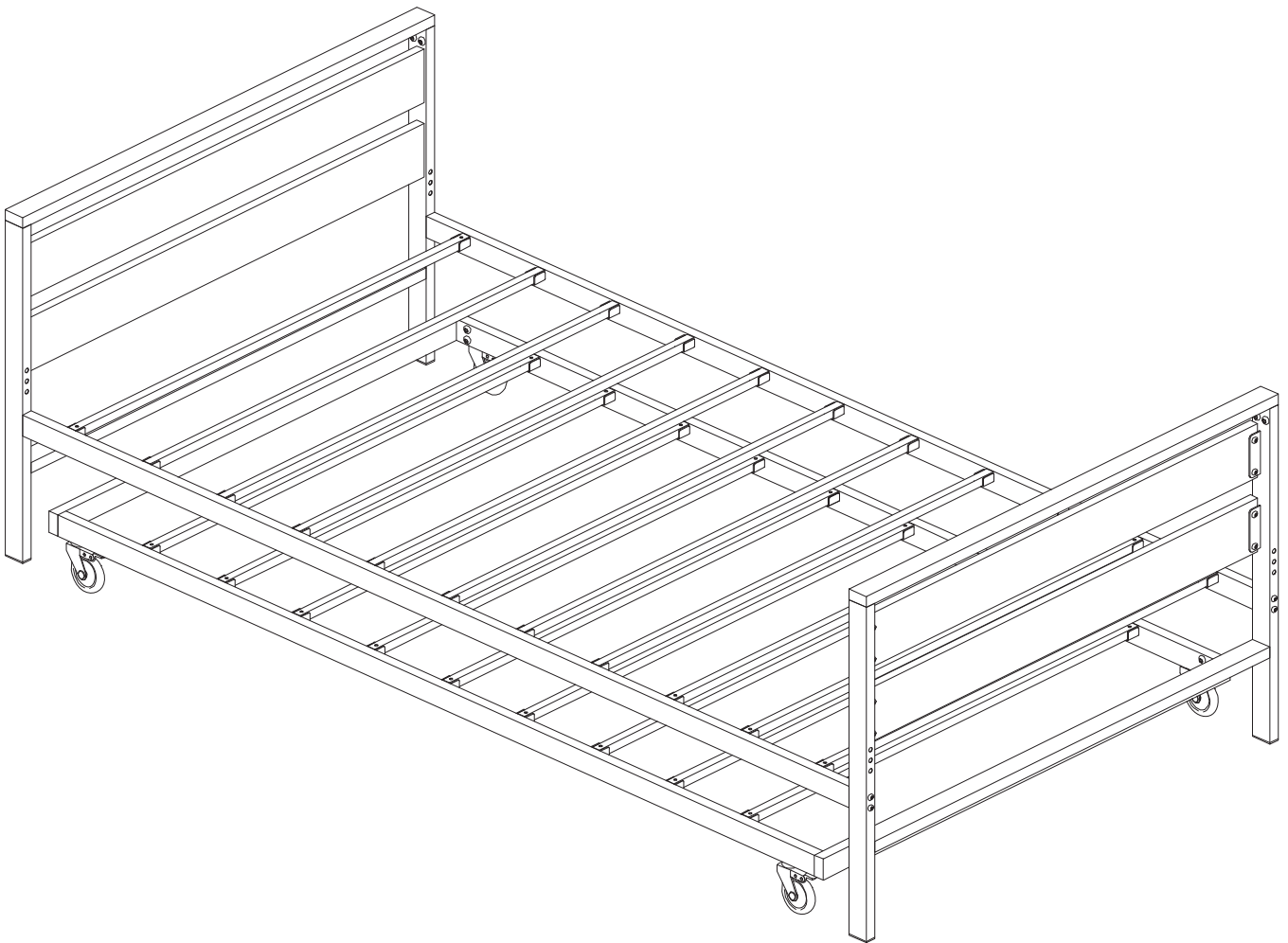




8



9



Installation Completed



Pure & Easy

CONTACT US:

If you have any questions about the installation of YITAHOME products, just contact us at +1 (888) 717-8084 from Mon-Fri 8:00 AM-4:30 PM PST / Sat. 8:00 AM-12:00 PM PST or e-mail us at after-sale.cs@hotmail.com

Alternative method to contact us (amazon.com orders only)

1. Log into your Amazon account
2. Go to "Your Orders" and find the purchase
3. Click on "Contact Seller"