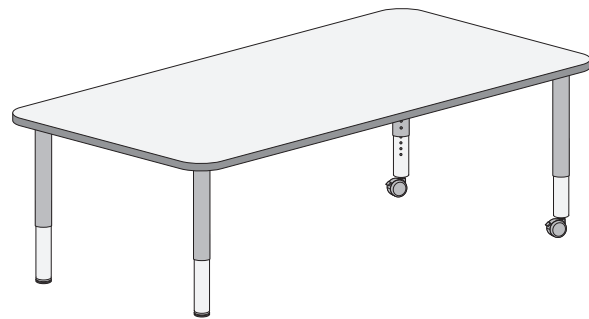




early childhood furniture

Sprogs Collaborative Legs

Model #: LT-SPG-LEGCSTR



### **! WARNING:**

Adult assembly required.

Two adults recommended.

- Contains small parts, sharp points and edges.
- Do not stand, sit, kneel, climb, or lean on table for support.
- Do not pull or drag table across the floor.
- To move table, clear surface and lift table with two adults.
- Never leave children unattended.
- Do not place unit near high heat or moisture.
- Adult supervision recommended.

#### **TOOLS INCLUDED**

Hex Tool (1)

Wrench (1)



#### **TOOLS NEEDED**

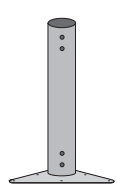


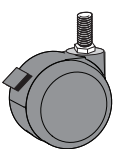
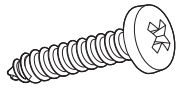
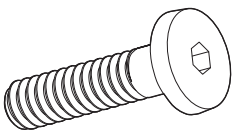
Phillips Screwdriver

Rubber Mallet (optional)



## Parts List

BEFORE ASSEMBLING, MAKE SURE YOU HAVE ALL THE PARTS

<p><b>A</b> Upper Leg Support (4)</p>  <p><i>Batch ID Sticker located on underside</i></p>	<p><b>B</b> Lower Leg Extension (4)</p> 	<p><b>C</b> Glide (4)</p>  <p><i>Use the Wrench</i></p>	<p><b>D</b> Caster (4)</p>  <p><i>Use the Wrench</i></p>
<p><b>E</b> Phillips Screws (12)</p>  <p><i>Use a Phillips Screwdriver</i></p>		<p><b>F</b> Hex Screws (8)</p>  <p><i>Use the Hex Tool</i></p>	

### 1

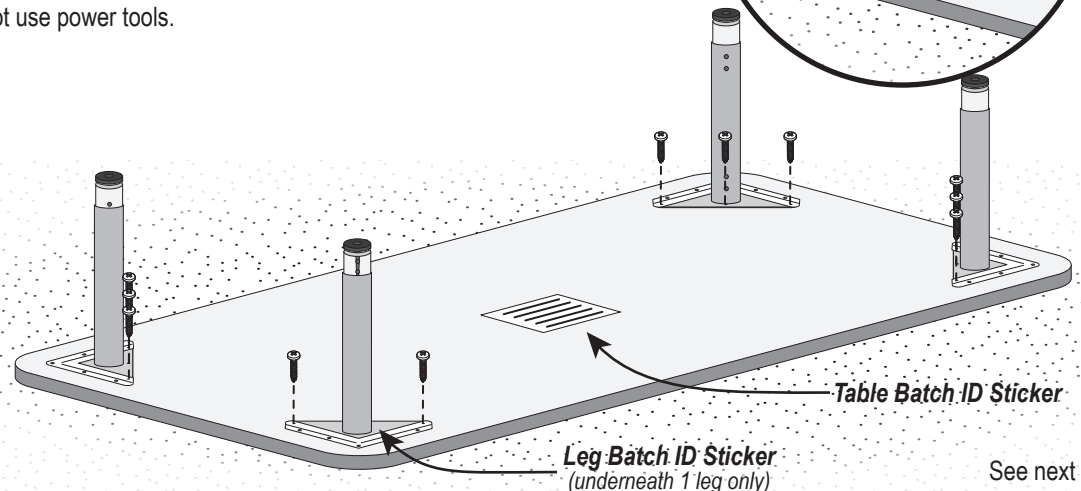
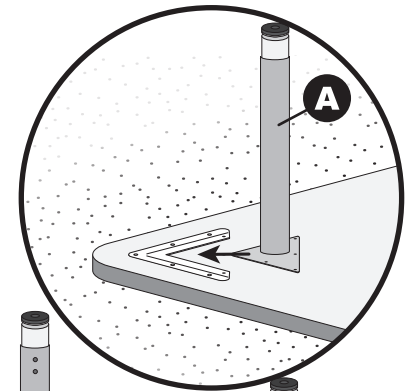
## Install Upper Leg Supports into Receiver Plates

Slide the base plate of the **Upper Leg Support (A)** into the receiver plate, until the three pilot holes on the table are aligned and visible through the corresponding holes on the leg base plate.

The fit should be tight and may require the use of a rubber mallet to properly seat the leg base plate into the receiver plate. If needed, the receiver plate screws may be loosened to provide additional clearance. Re-tighten once the leg is installed.

Install each **Upper Leg Support (A)** onto the table top with three **Phillips Screws (C)** using a Phillips screwdriver.

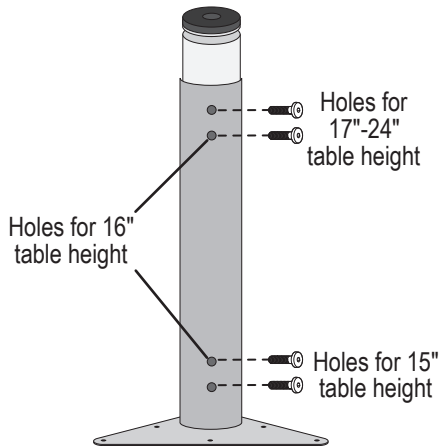
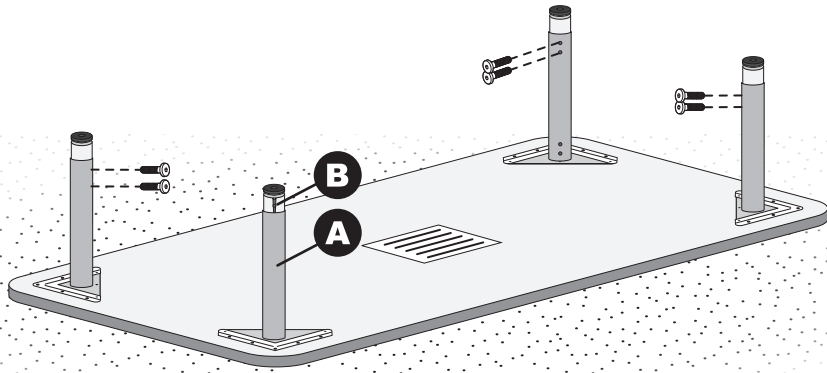
Do not use power tools.



See next page

## 2 Leg Height Adjustment and Installation

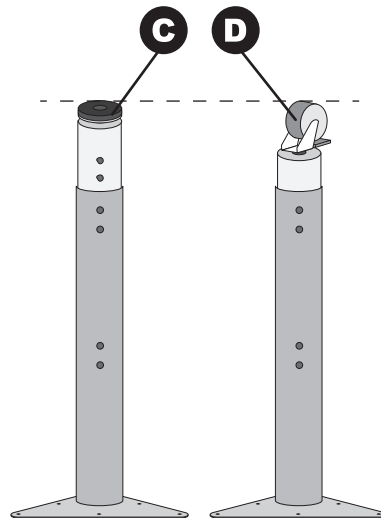
Insert the **Lower Leg Extension (B)** into the **Upper Leg Support (A)** and align the holes to set the desired table top height. See below for correct hole / height usage. Install each **Lower Leg Extension (B)** onto each **Upper Leg Support (A)** with two **Hex Screws (D)** using the hex tool.



Substitute **Casters (D)** for the **Glides (C)** to make the table mobile. Configure with 4 casters or with 2 casters & 2 glides for "wheelbarrow" effect.

Glide legs will need to be extended out two positions to equal the height of the casters.

Tighten with the included wrench.



**sprogs**<sup>®</sup>  
early childhood furniture

**QUESTIONS? CONTACT CUSTOMER SERVICE:  
(866) 619-1776**

### **⚠ WARNING :**

**- Do not stand, sit, kneel, climb, or lean on table for support.**

#### **Care and Cleaning**

Clean unit with a damp cloth or sponge using warm water and mild soap. Wipe dry.

Do not place near heat, moisture or vaporizer which may cause panels to warp and peel.

Check for loose or worn parts periodically and tighten or replace as necessary.