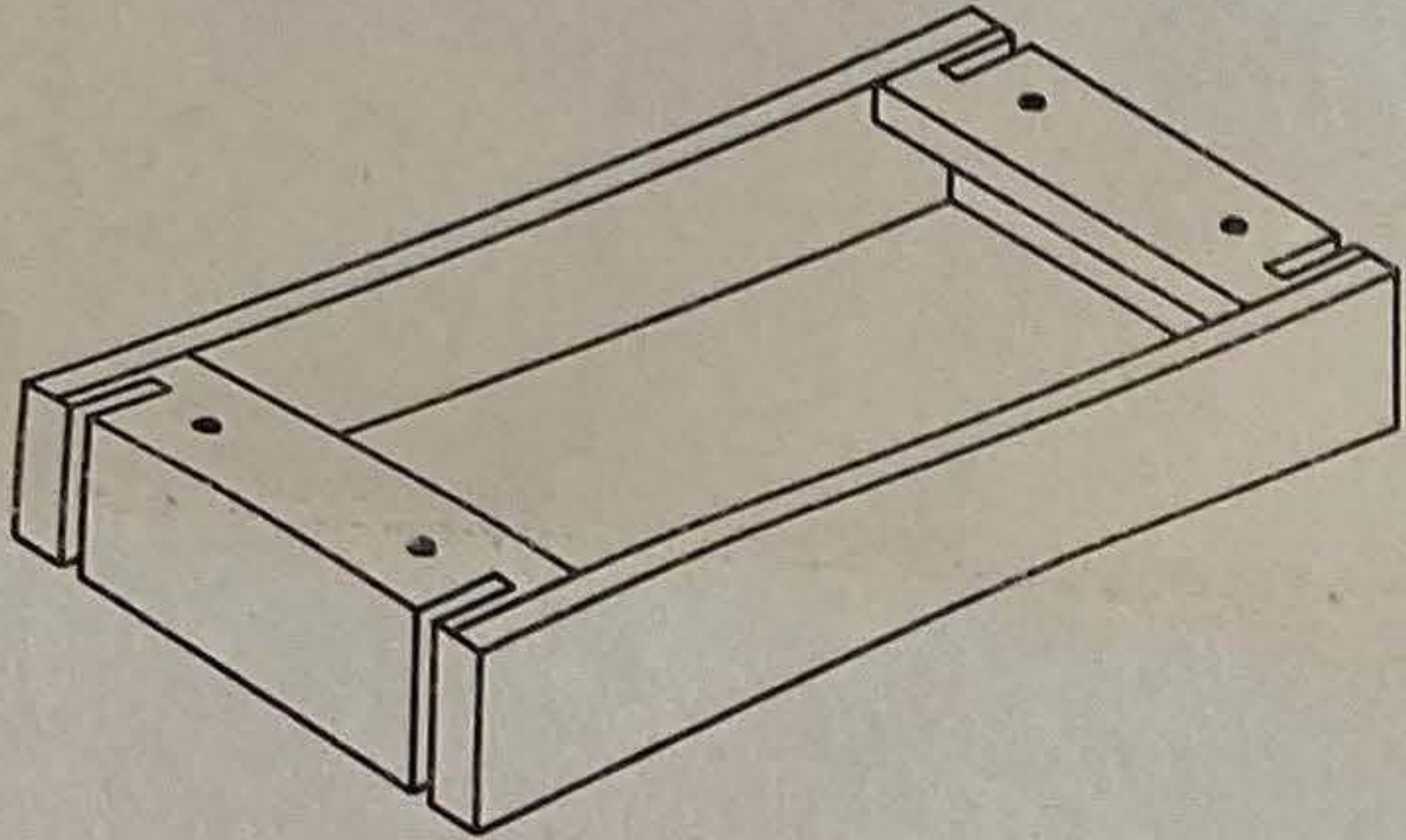
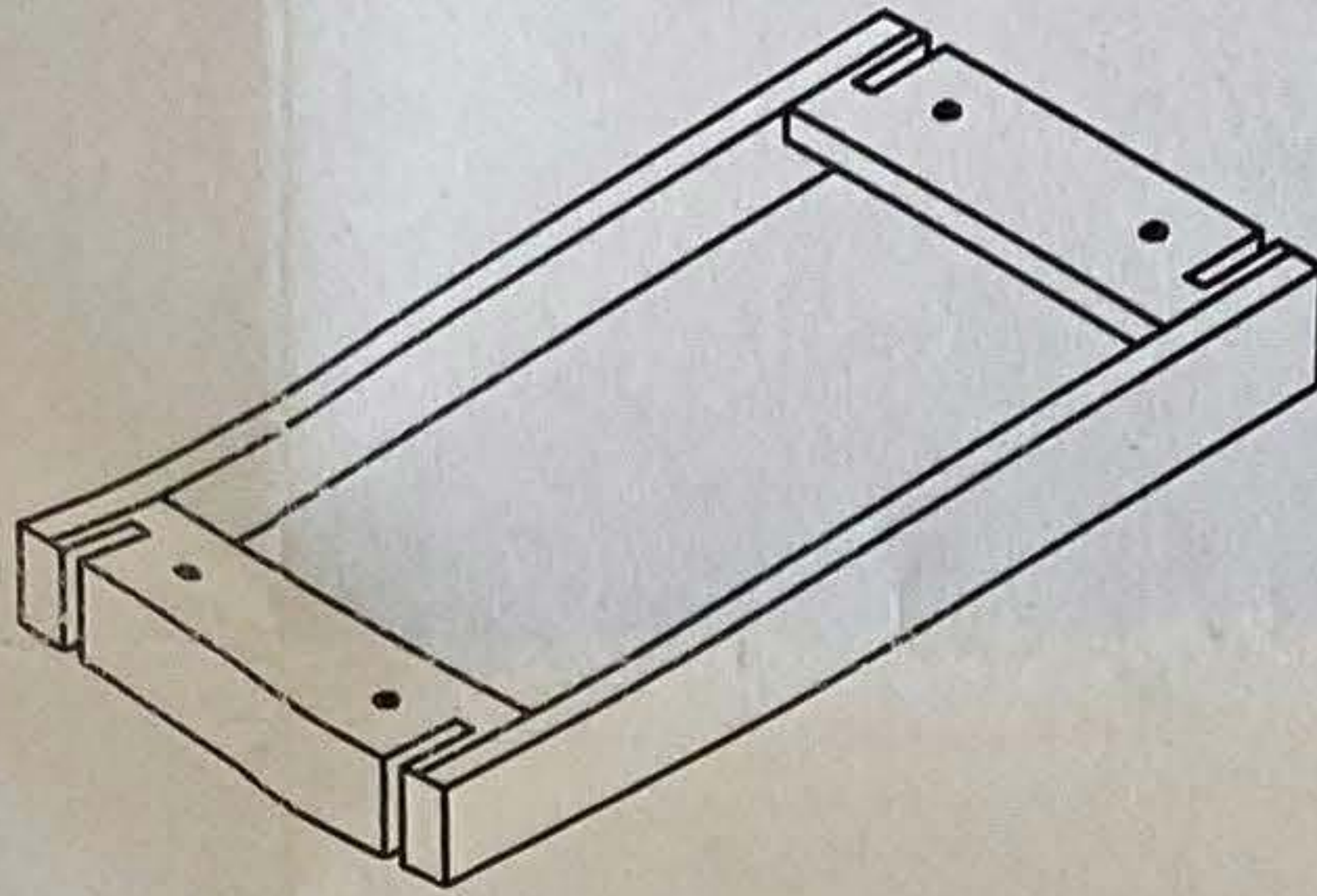


# SIDE TABLE ASSEMBLY INSTRUCTIONS

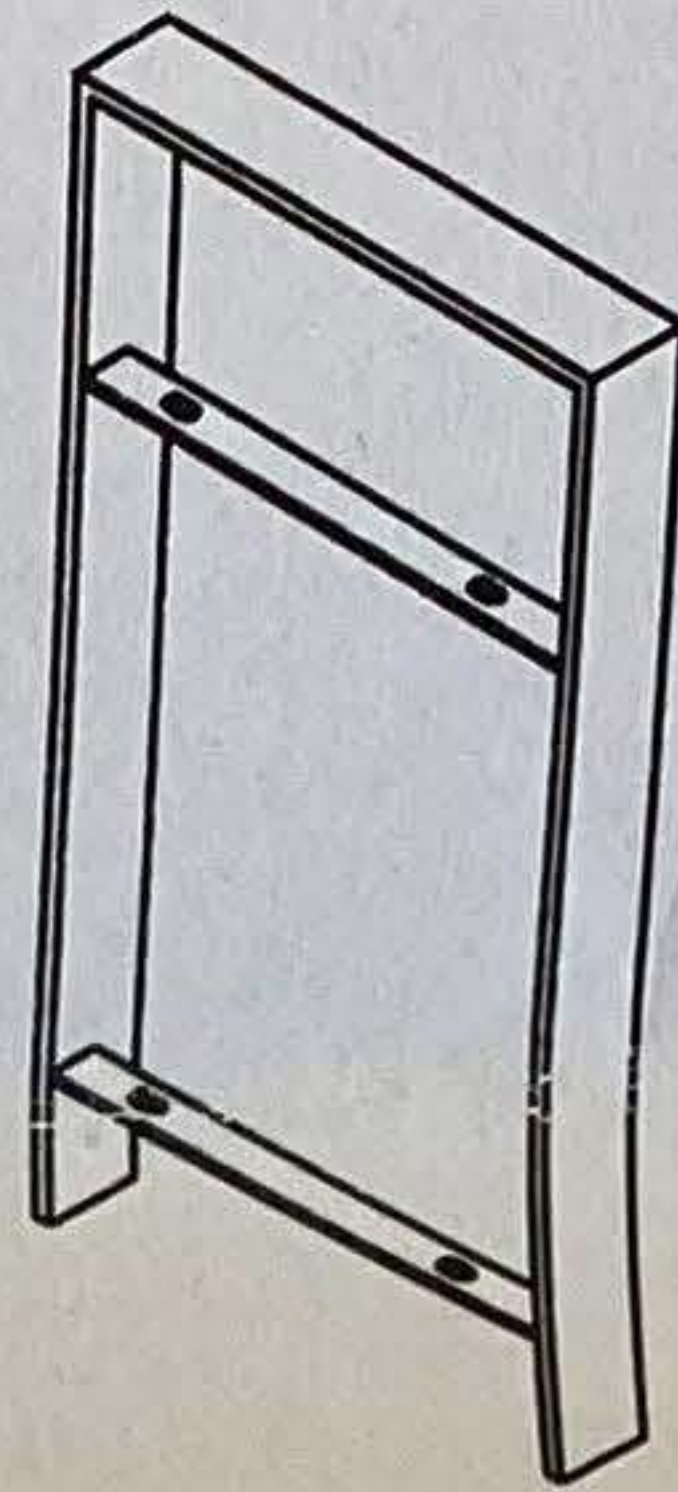
AX1



BX1



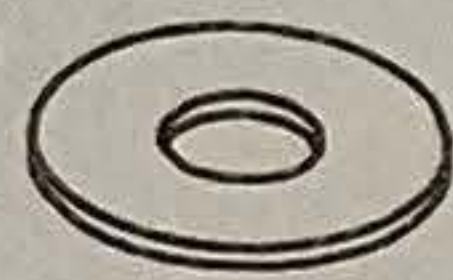
CX2



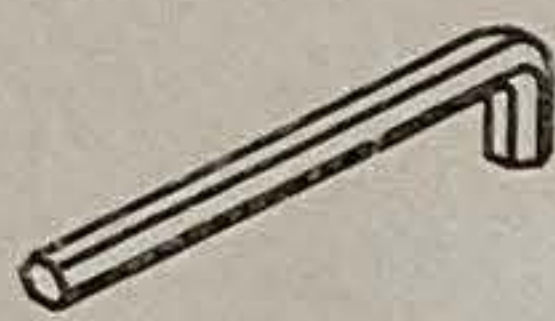
DX8



EX8



FX1



Extra Hardware

D-2 pcs

E-2 pcs

1

