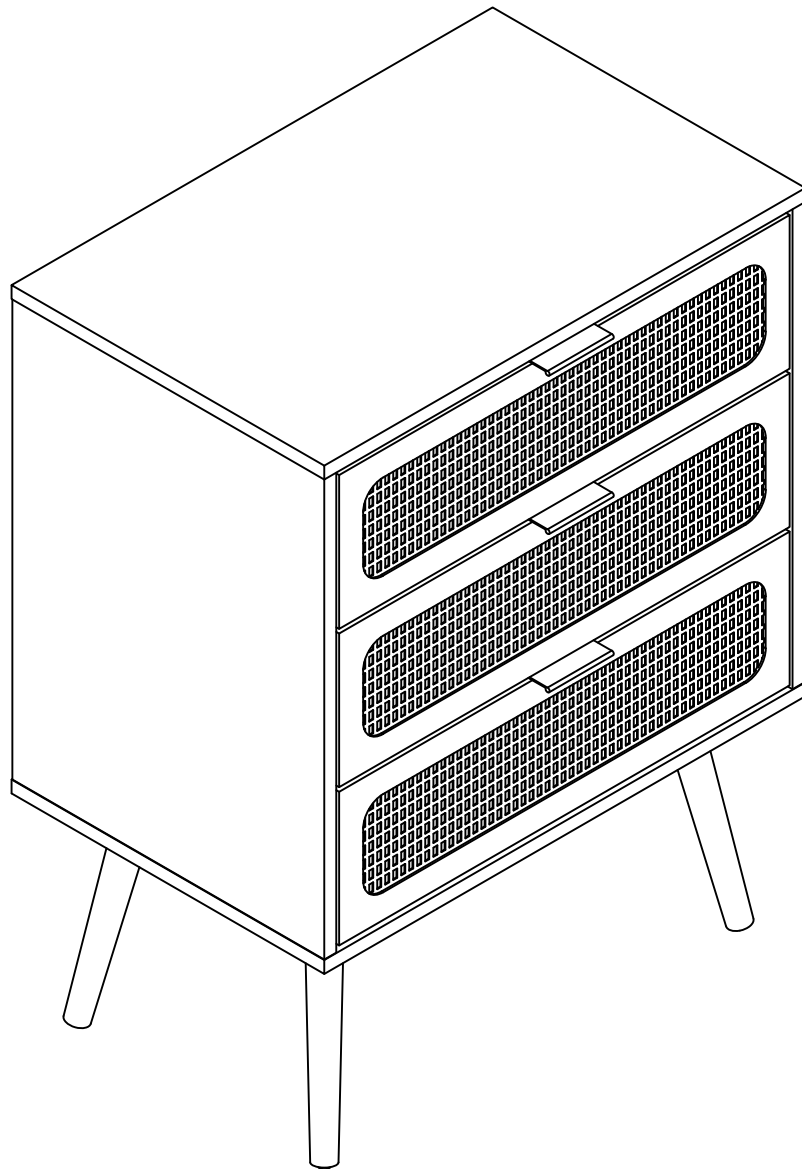


Installation Instruction



Assembling

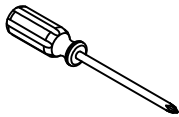
Estimated time for assembly



45 : 00

What you need

- Use the packaging carton as a working surface to prevent product damage during assembly
- Phillips head screwdriver



Weight Limitation



100

lbs table top

35

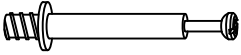
lbs per

What' included

Code Description	Qty
A Cam Bolt M6X35MM	16
B Cam Lock 15X12MM	16
C Wooden Dowel M6X30MM	20
D Screw M4X40MM	18
E Screw M3.5X14MM	22
F The metal plate	4
G Nylon Strap	2
H Screw M3.0X14MM	50
I Metal shake handhandle	3
J Plastic Angle code	8
K Anchor	2
CL Left mother extended orbit	3
CR Right mother extended orbit	3
DL Left public extension track	3
DR Right public extends track	3

The Hardwares

A



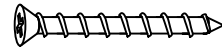
B



C



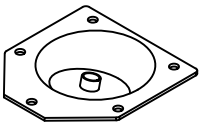
D



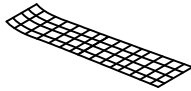
E



F



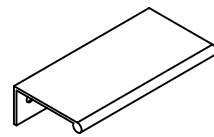
G



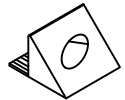
H



I



J



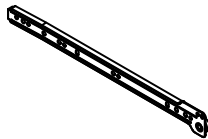
K



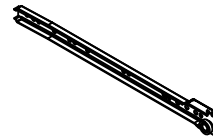
L



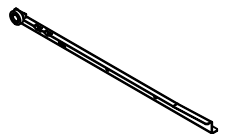
CL



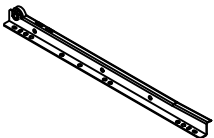
CR



DL



DR



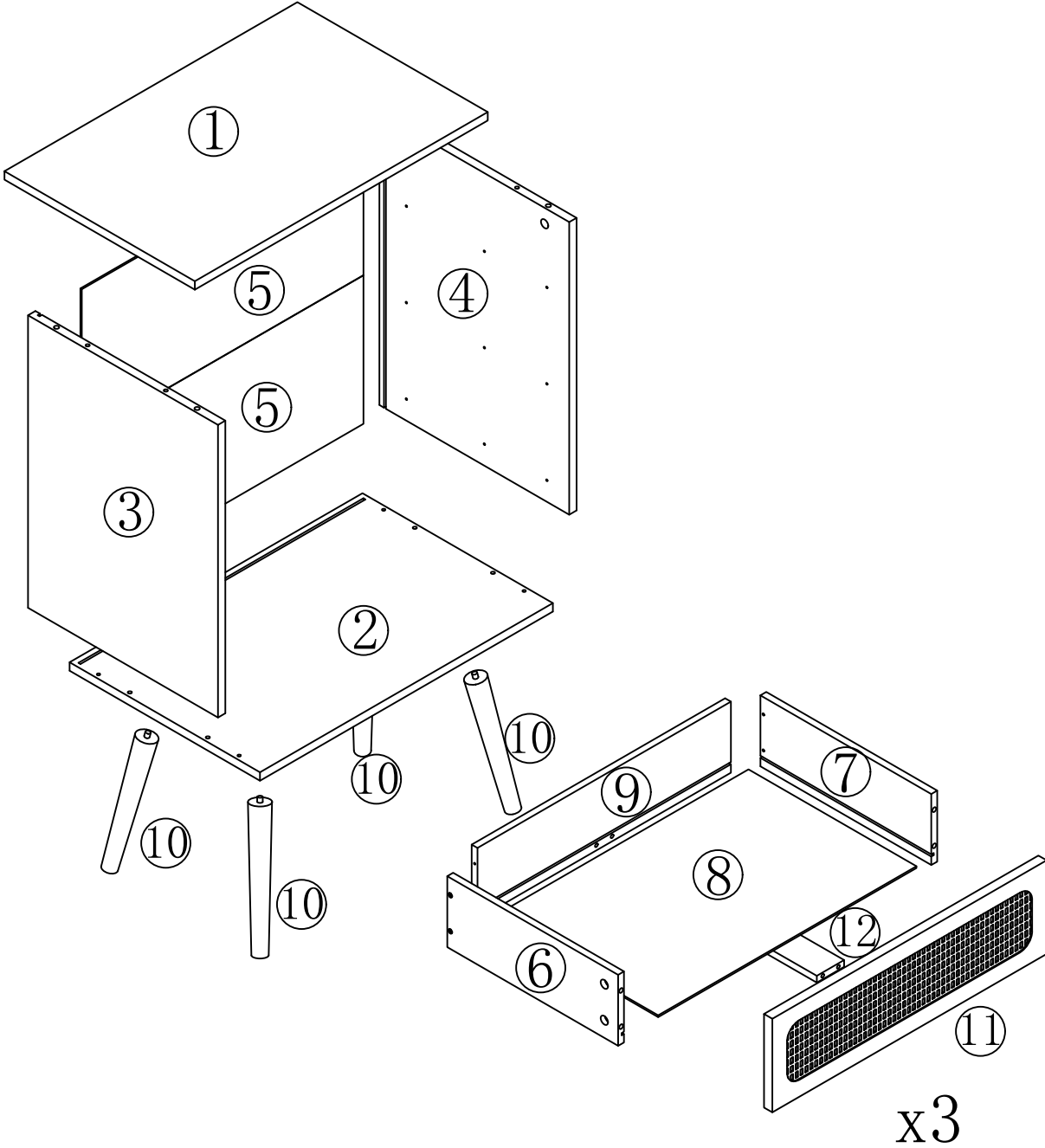
IMPORTANT:

1. Do not tighten bolts / screws completely until all bolts / screws are lined up and inserted into holes.
2. Do not over tighten screws and bolts to avoid stripping
3. Please use hand tools to assemble this product. Do not use power tools.

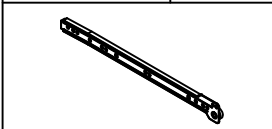
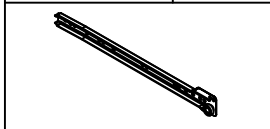
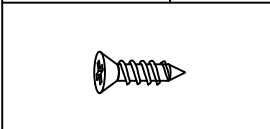
Included Accessories

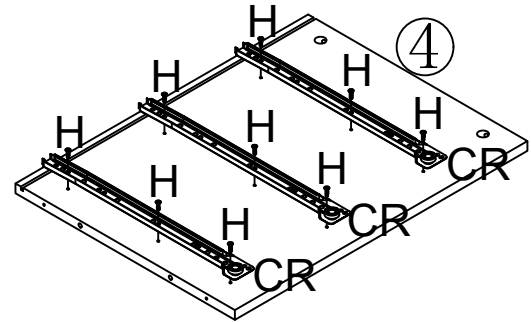
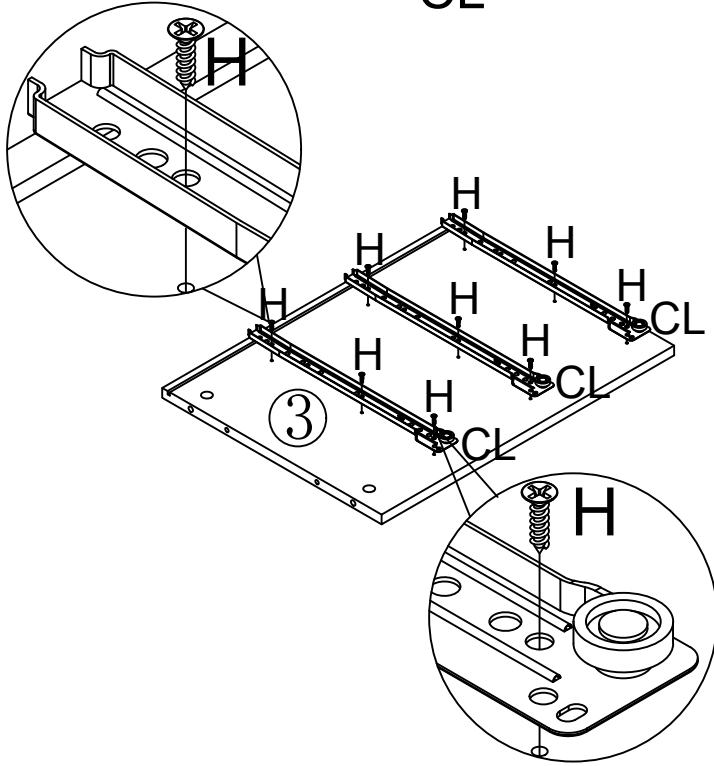
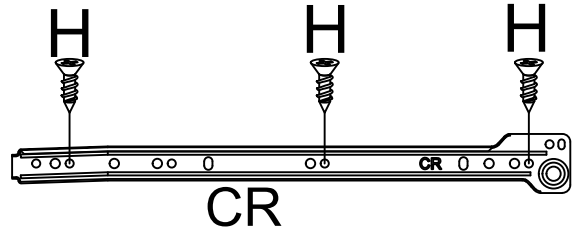
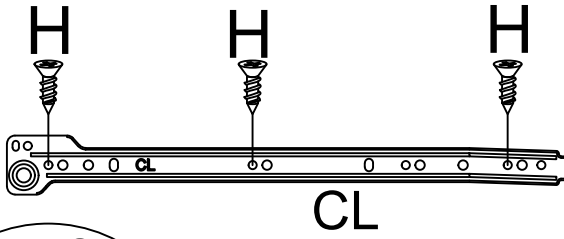
Code	Description	Qty
1	Cabinet Top	1
2	Bottom Panel	1
3	Left Side Panel	1
4	Right Side Panel	1
5	Back Panel	2
6	Drawer left panel	3
7	Drawer right side panel	3
8	The drawer bottom	3
9	After the drawer board	3
10	Solid wood feet	4
11	The drawer face	3
12	At the bottom of the drawer	3

The Accessoriess

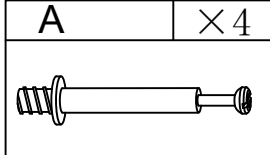
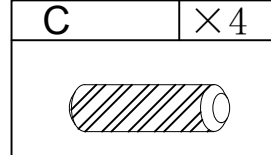


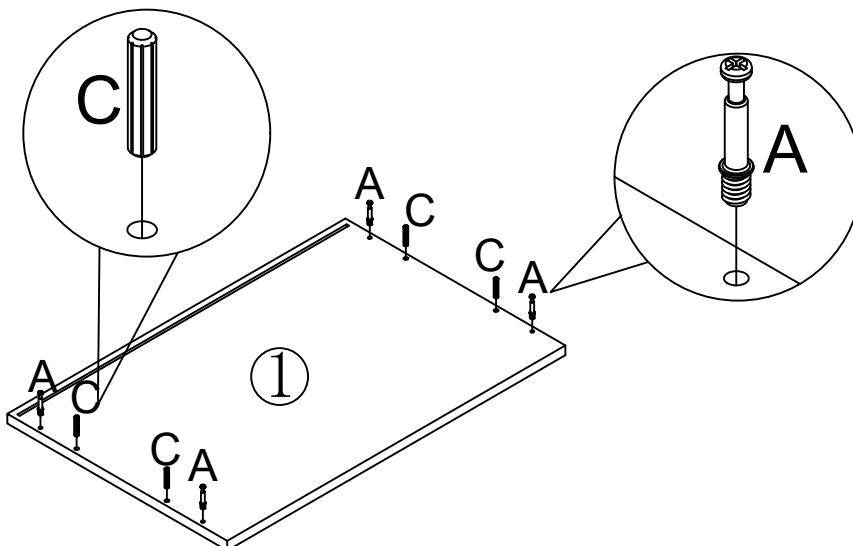
Step 1

CL	×3	CR	×3	H	×18
					

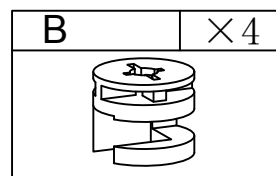
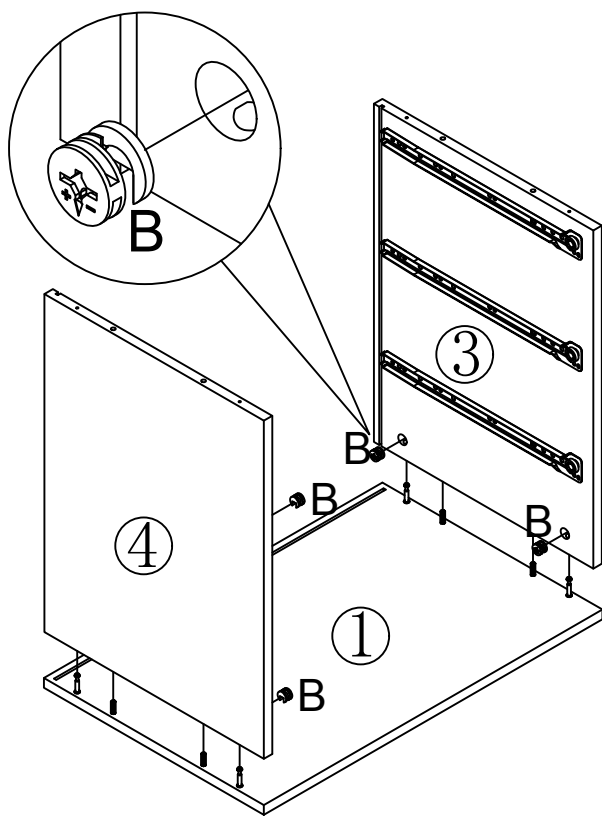


Step 2

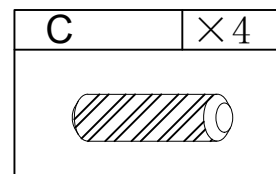
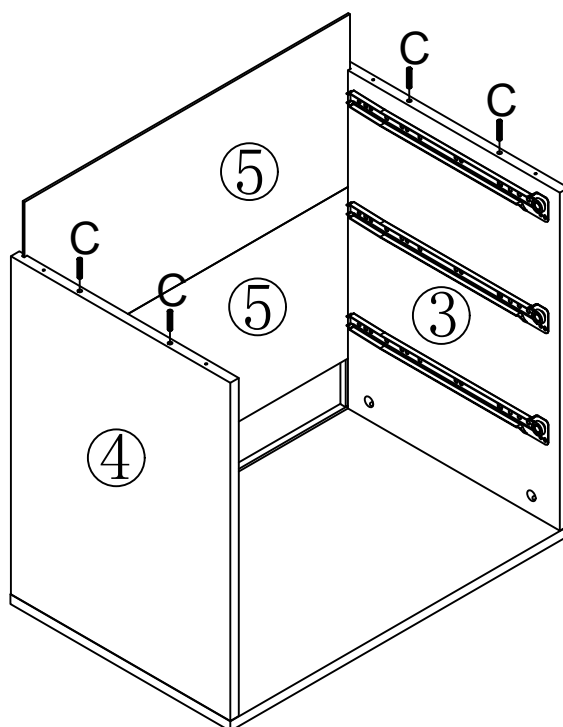
A	×4	C	×4
			



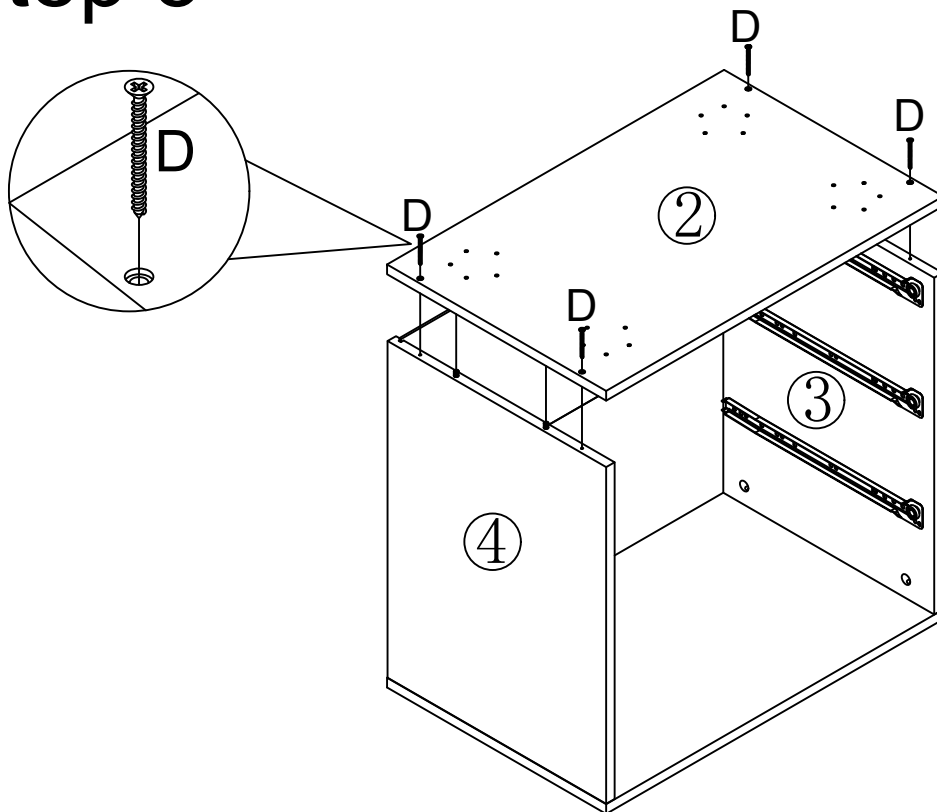
Step 3



Step 4



Step 5

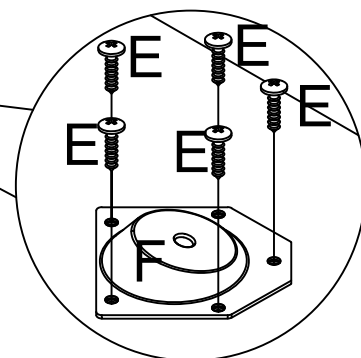
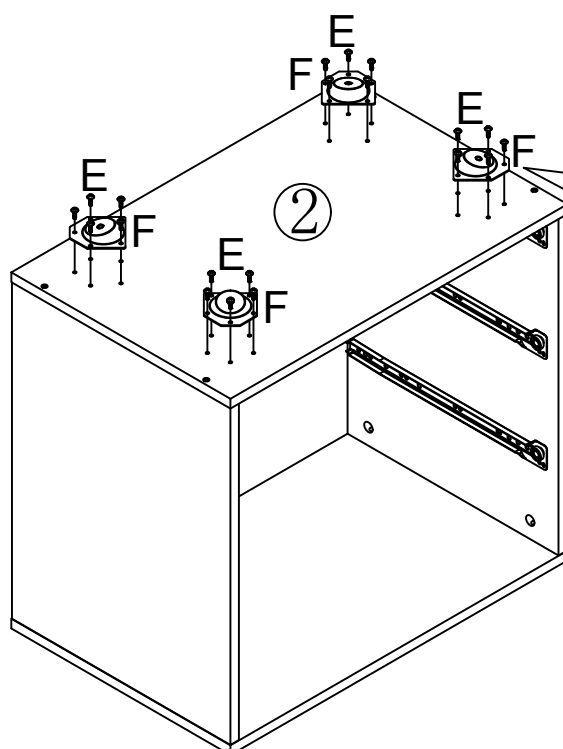


D	×4

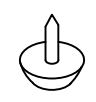
Step 6

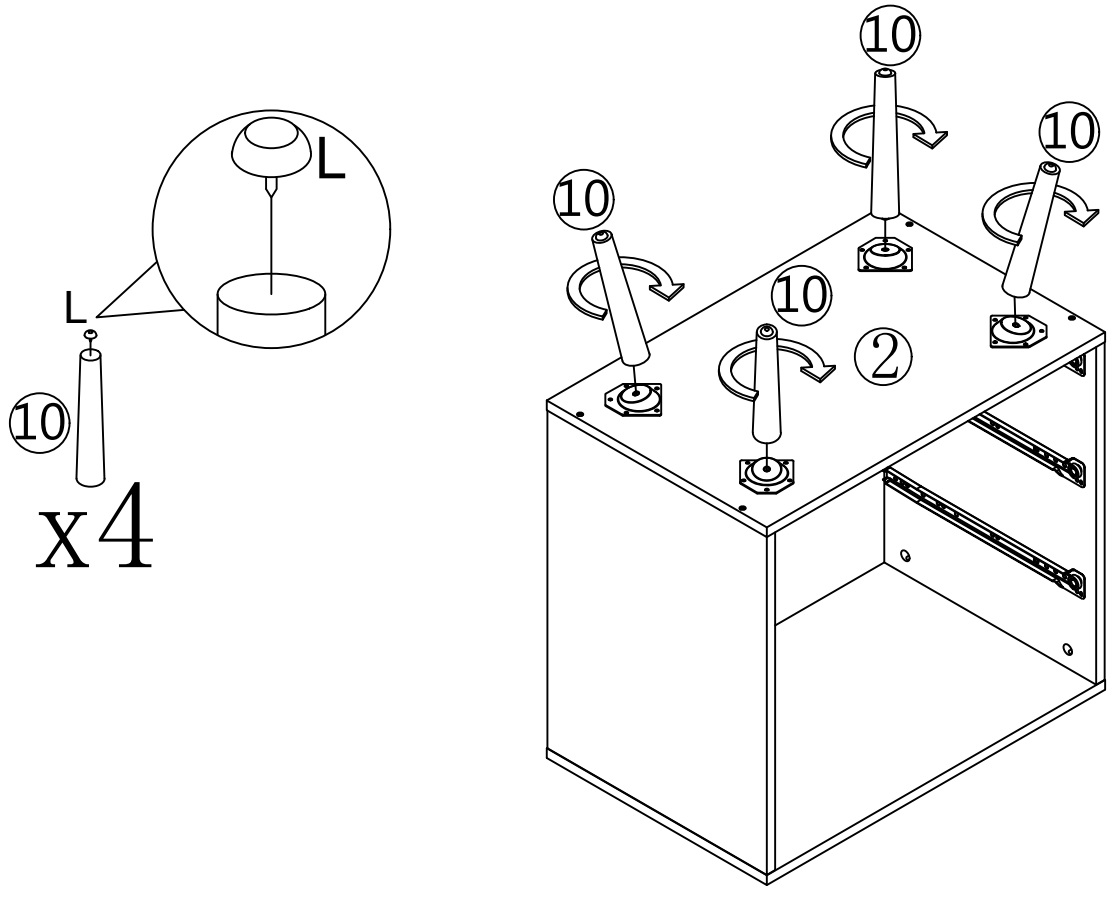
E	×20

F	×4

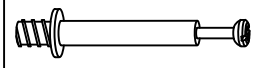


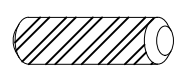
Step 7

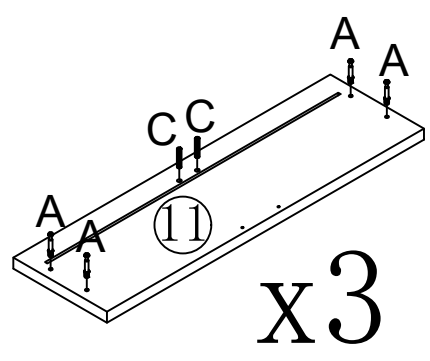
L	×4
	



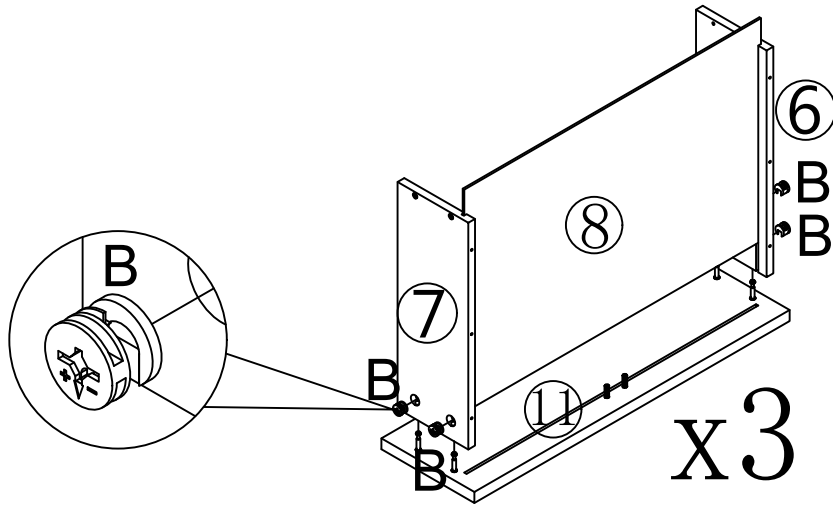
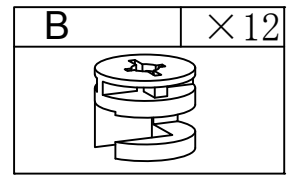
Step 8

A	×12
	

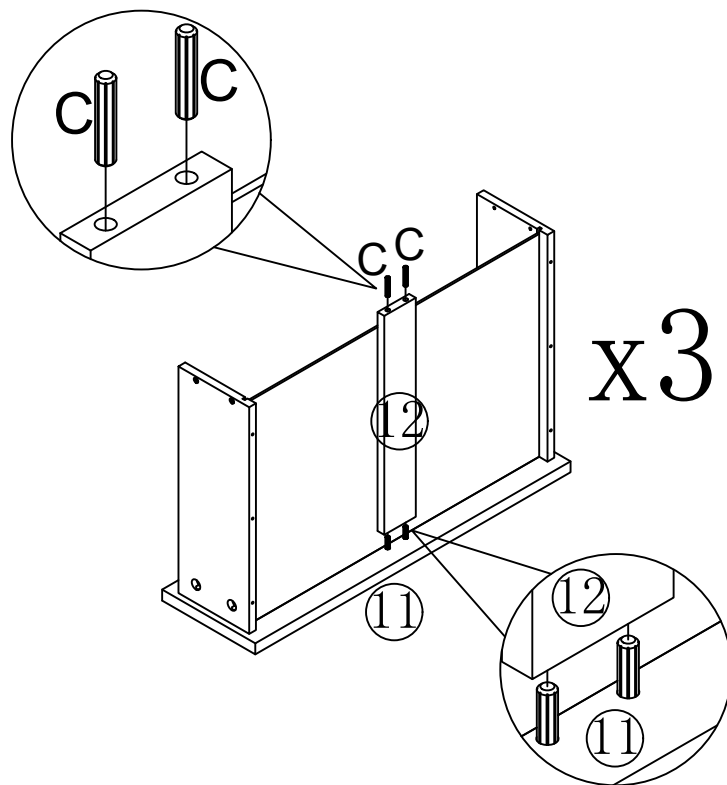
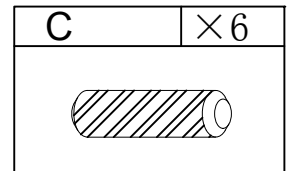
C	×6
	



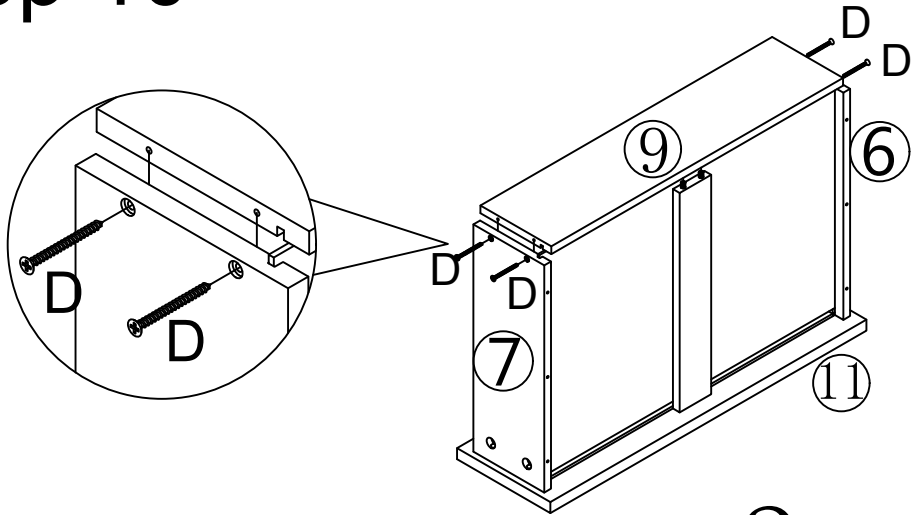
Step 9



Step 10



Step 10



D	×12

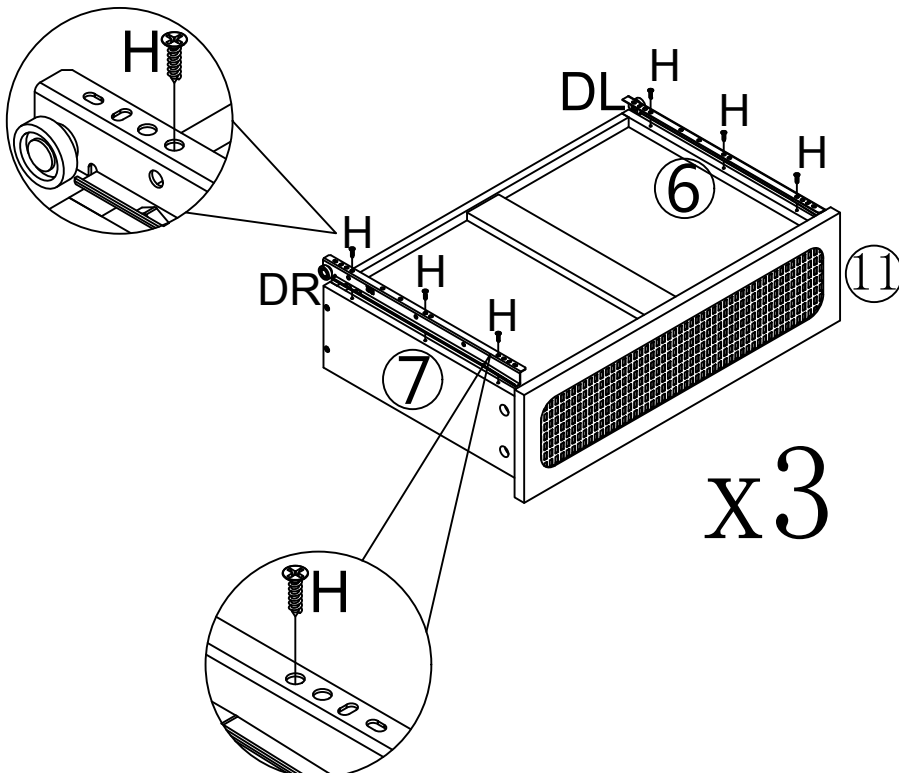
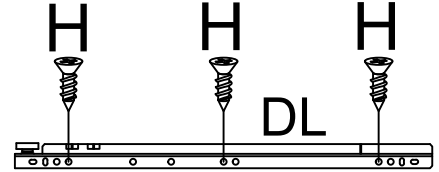
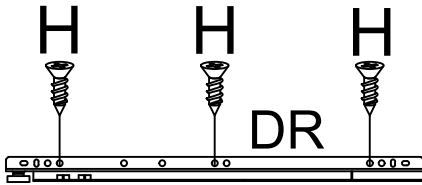
x3

Step 11

DL	×3

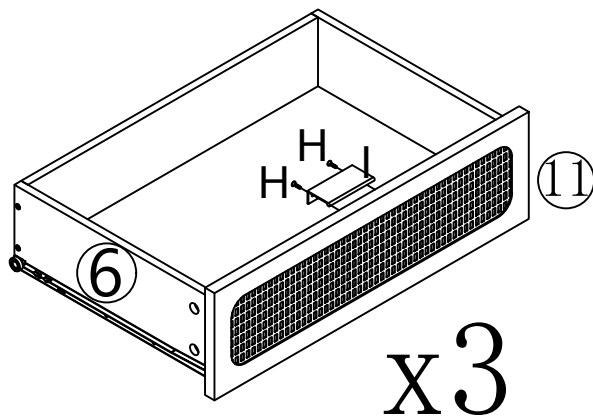
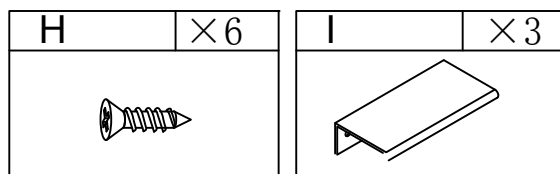
DR	×3

H	×18

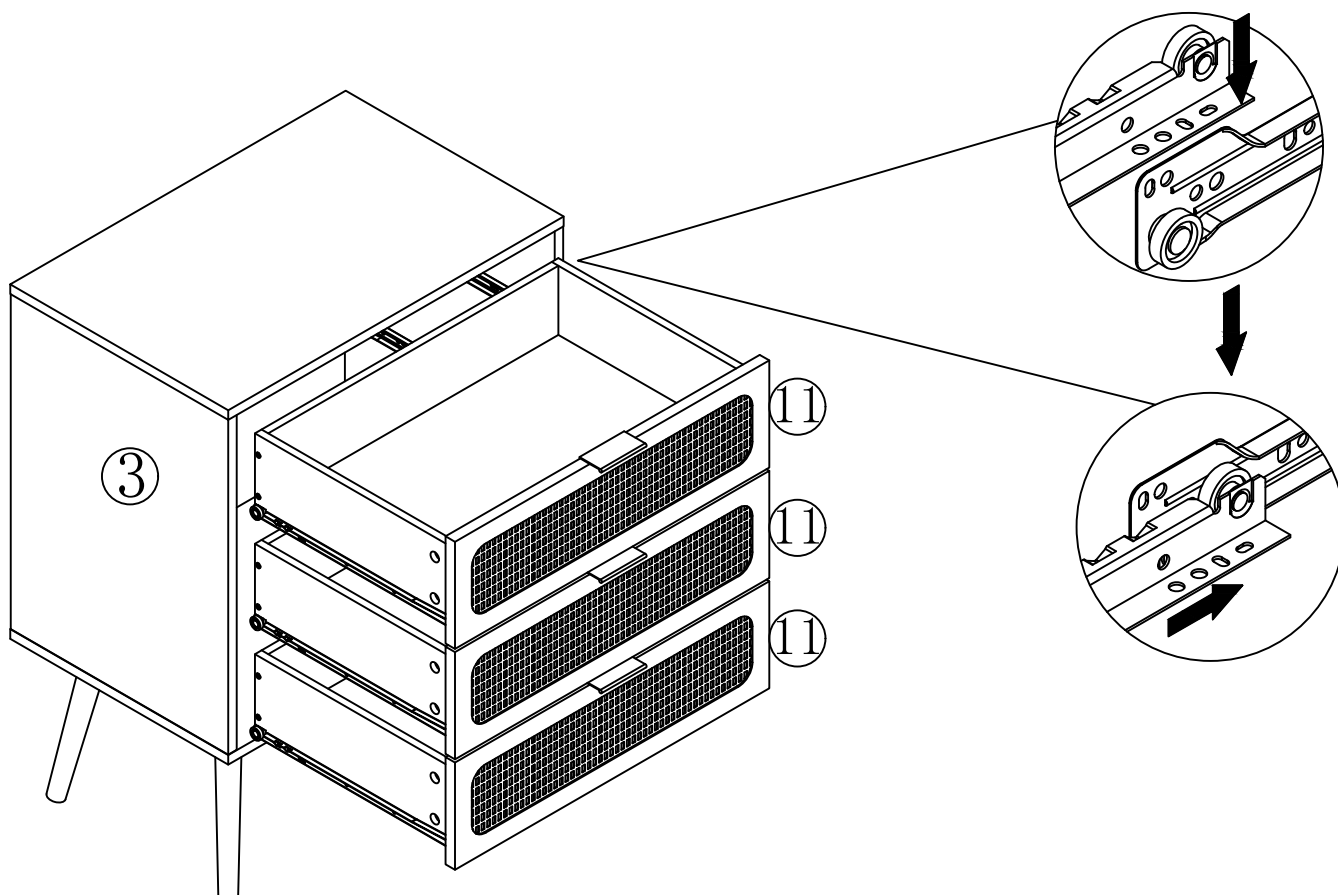


x3


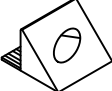
Step 12

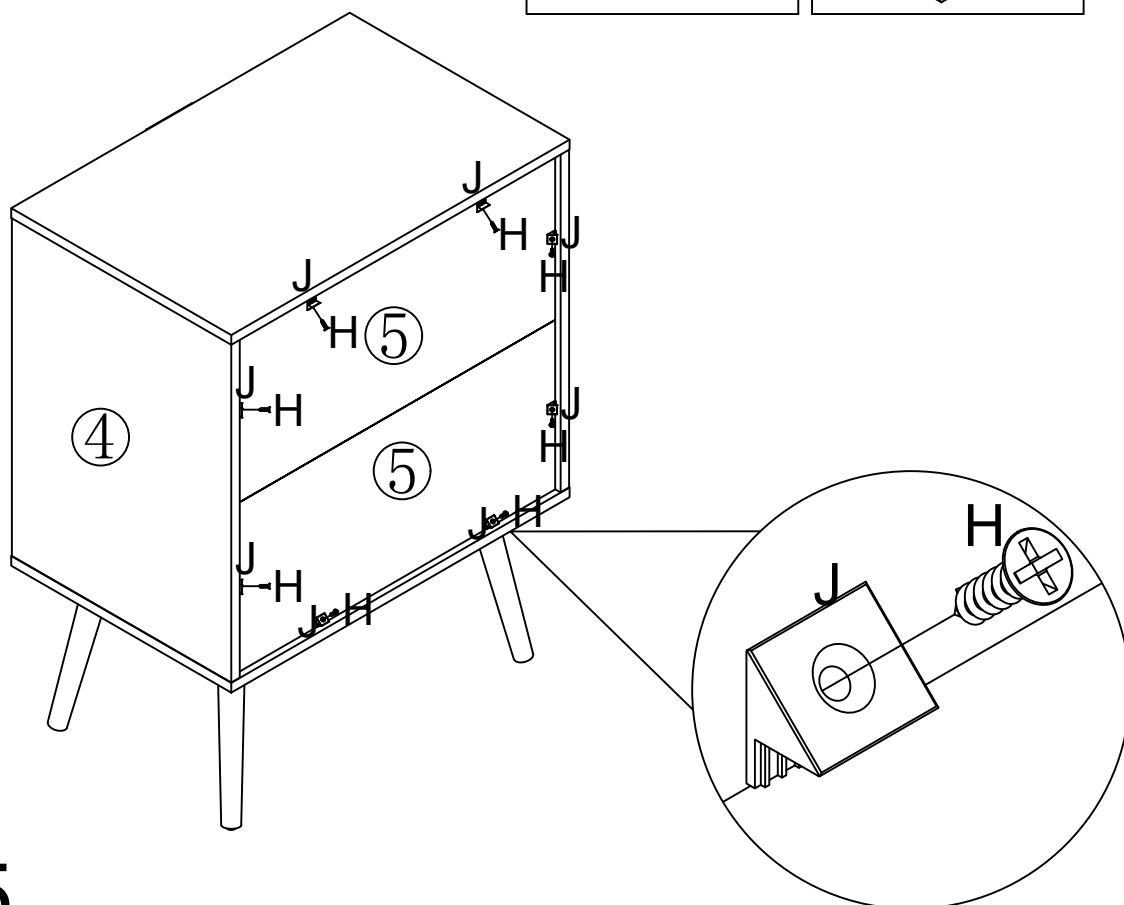


Step 13

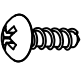
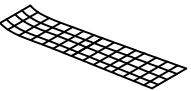


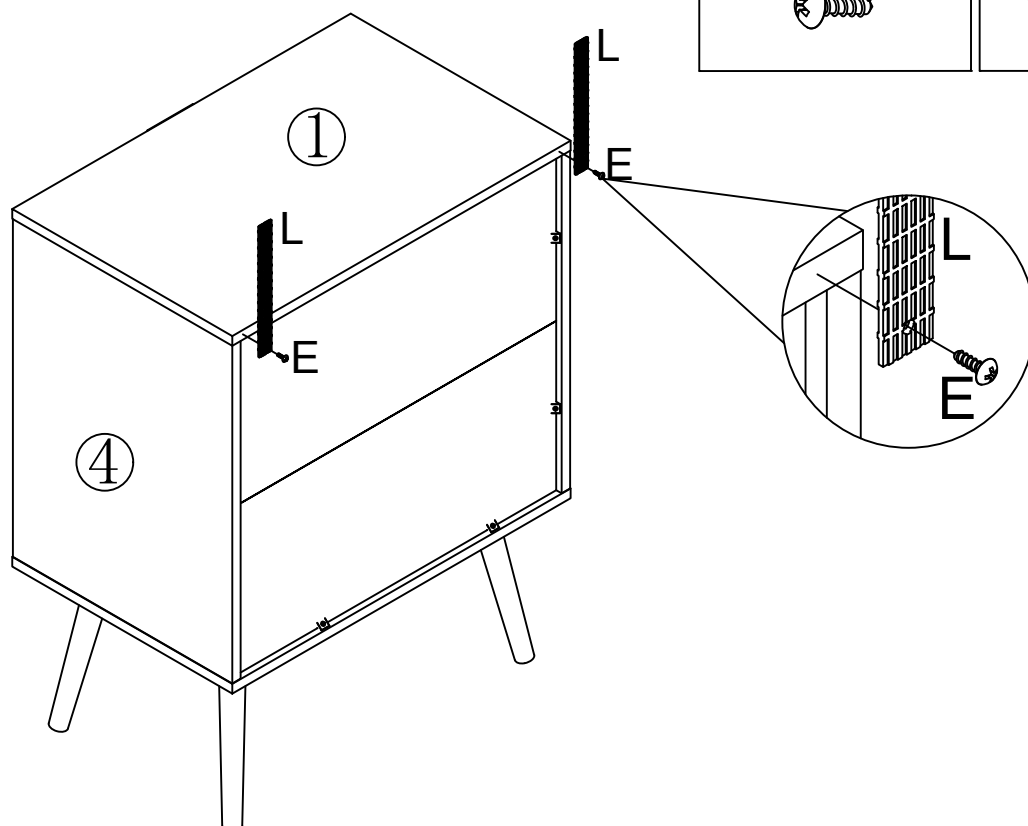
Step 14

H	×8	J	×8
			



Step 15

E	×2	L	×2
			



Step 16

