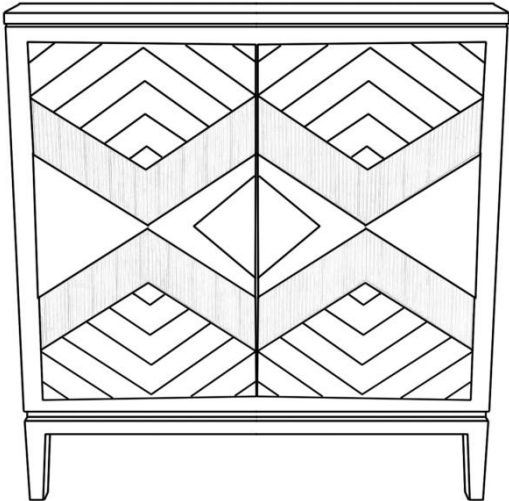


Ahokua

Assembly Instruction

Accent Cabinet







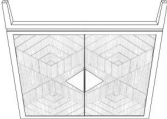





Assembly Instruction

⚠ WARNING:

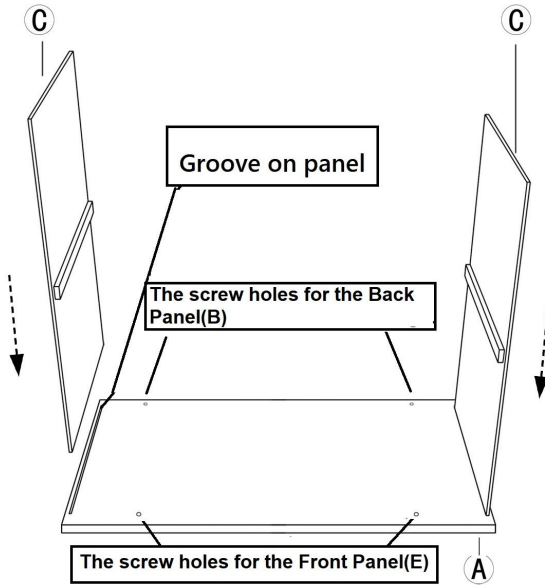
- Read all instructions carefully and completely before assembly and use.
- Retain for future reference.
- DO NOT use power tools.
- **DO NOT over-tighten hardware.**
- **Periodically check all hardware and re-tighten as necessary.**
- DO NOT use product if any component becomes damaged.
- For residential (non-commercial) use only.
- DO NOT sit or stand on product. Use only for intended purpose.
- DO NOT exceed 80lbs for the tabletop and 30lbs for the shelf, evenly distributed.

Parts List

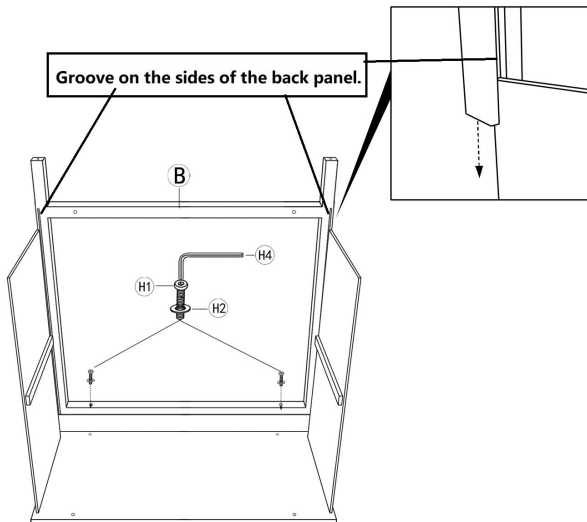
Check all parts before assembly

<p>A. <u>Tabletop</u></p>  <p style="text-align: right;">*1</p>	<p>B. <u>Back panel</u></p>  <p style="text-align: right;">*1</p>	<p>C. <u>Side panel</u></p>  <p style="text-align: right;">*2</p>	<p>D. <u>Bottom board</u></p>  <p style="text-align: right;">*1</p>
<p>E. <u>Front panel</u></p>  <p style="text-align: right;">*1</p>	<p>F. <u>Shelf</u></p>  <p style="text-align: right;">*1</p>		
<p>H1. <u>Hex bolt</u></p>  <p style="text-align: center;">M8*35mm</p> <p style="text-align: center;">*8(+1 extra)</p>	<p>H2. <u>Washer</u></p>  <p style="text-align: center;">M16</p> <p style="text-align: center;">*8(+1 extra)</p>	<p>H3. <u>Foot pad</u></p>  <p style="text-align: right;">*4</p>	<p>H4. <u>Alley key</u></p>  <p style="text-align: center;">5mm</p> <p style="text-align: right;">*1</p>

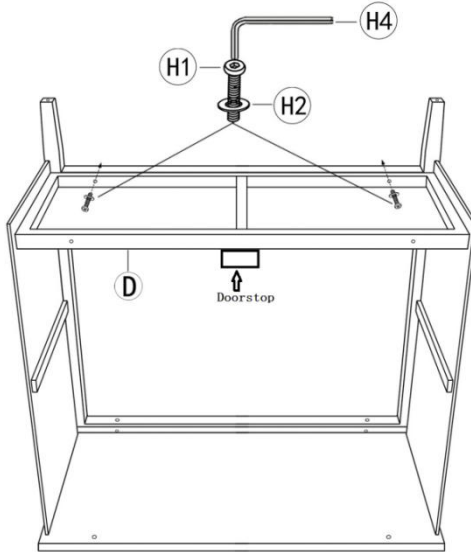
Step 1: Put the Tabletop (A) on a soft surface to protect the finish. Insert the Side panels (C) as shown.



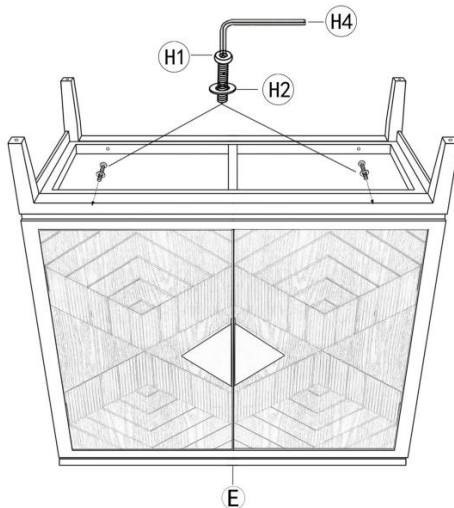
Step 2: Attach Back panel (B) with Hex bolts (H1) and Washers (H2) using Allen key (H4). Ensure the Side panel (C) with the groove on Back panel (B). **Leave hardware loose in this step.**



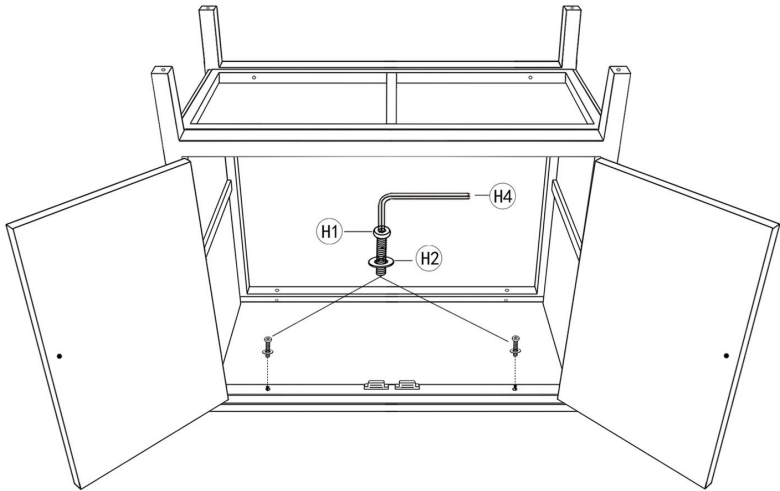
Step 3: Attach the Bottom panel (D) with Hex bolts (H1) and Washers (H2) by Allen key (H4) as shown in picture below. Note doorstop on D faces toward open front. Do not install D backwards with doorstop on same side as Backboards. **Leave hardware loose in this step.**



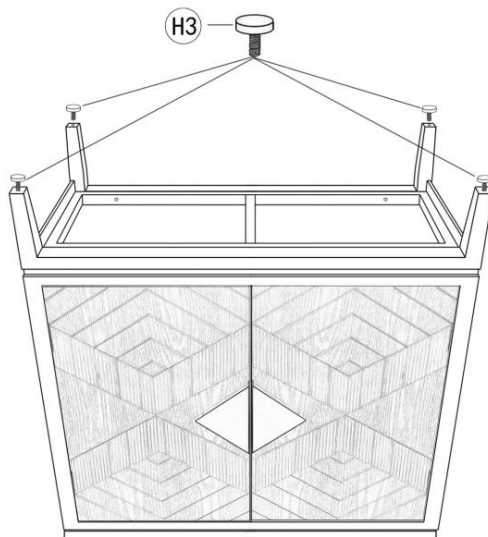
Step 4: Attach the Front panel (E) with Hex bolts (H1) and Washers (H2) by Allen key (H4) as shown in picture below. **Leave hardware loose in this step.**



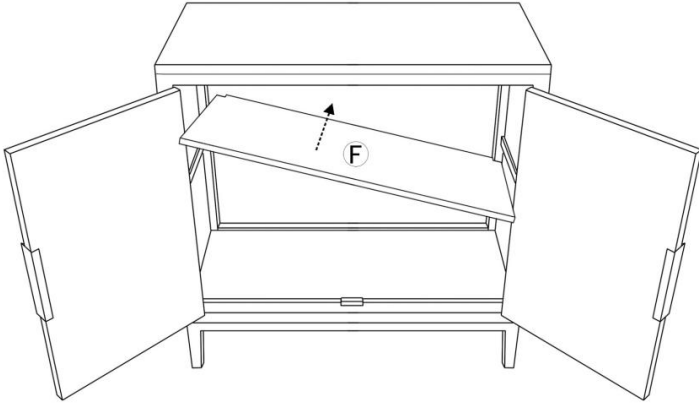
Step 5: Open the doors, fixing the Hex bolts (H1) and Washers (H2) by Allen key (H4) as shown in picture below. **Then, fully tighten all bolts from Step 1 to 5.**



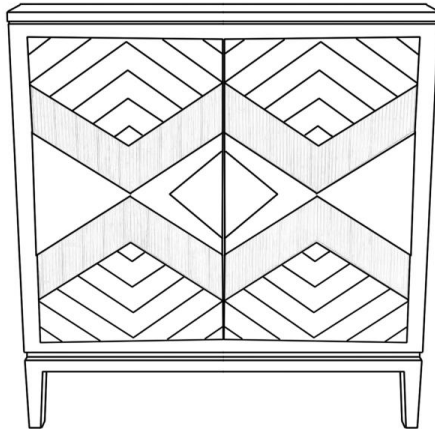
Step 6: Attach the Foot pads (H3) to the bottom of all Legs as shown in picture below.



Step 7: Place the Shelf (F) inside as shown in picture below.



Assembly finished.



Notice:

If you have any inquiries regarding your purchase or any other products for sale, please don't hesitate to contact us at support@mi-din.com with your order ID. Our dedicated customer service team is available to assist you.