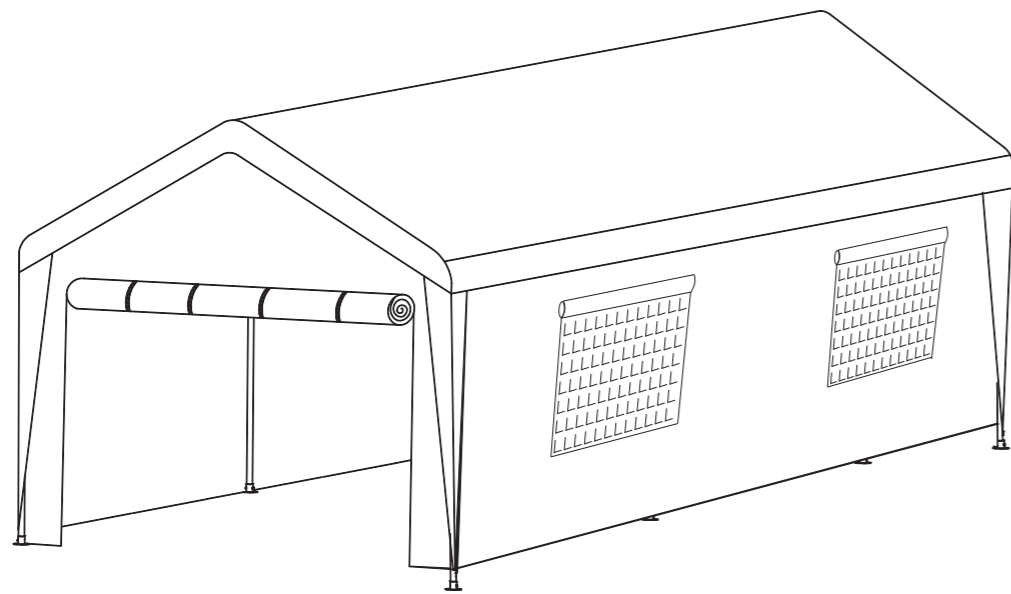


10X20FT CARPORT

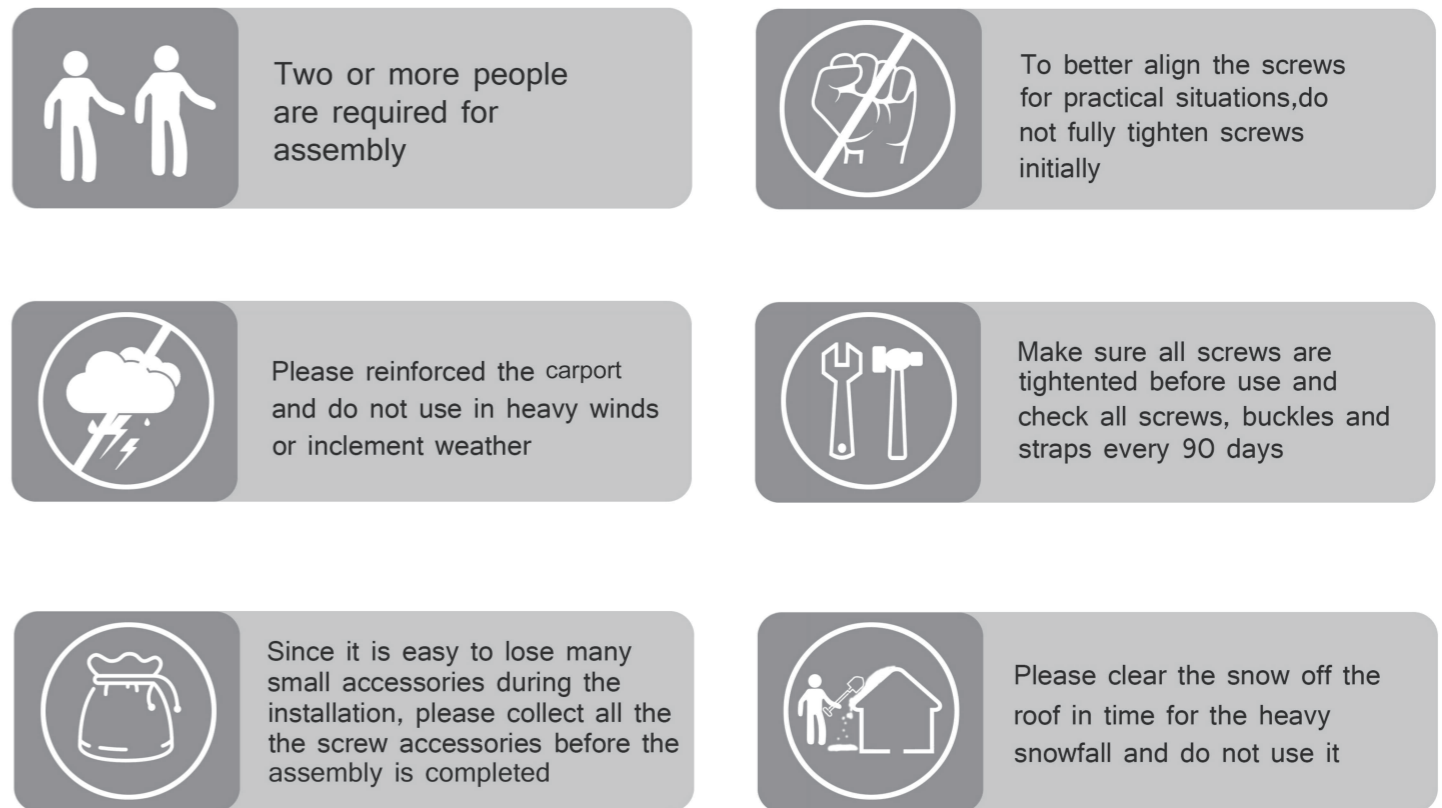


TOOLS RECOMMENDED

*NOTE: The recommended tools are not included in boxes and need to be prepared by yourself.



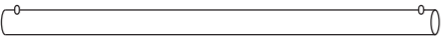
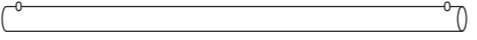
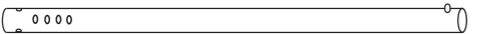


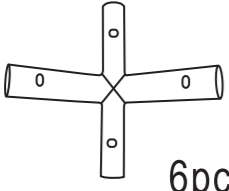
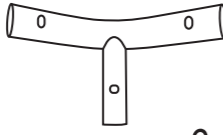
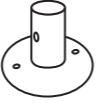



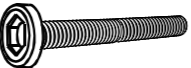


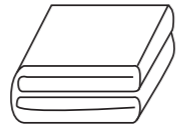
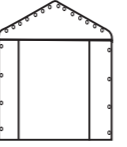
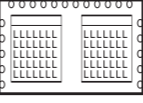
ATTENTIONS



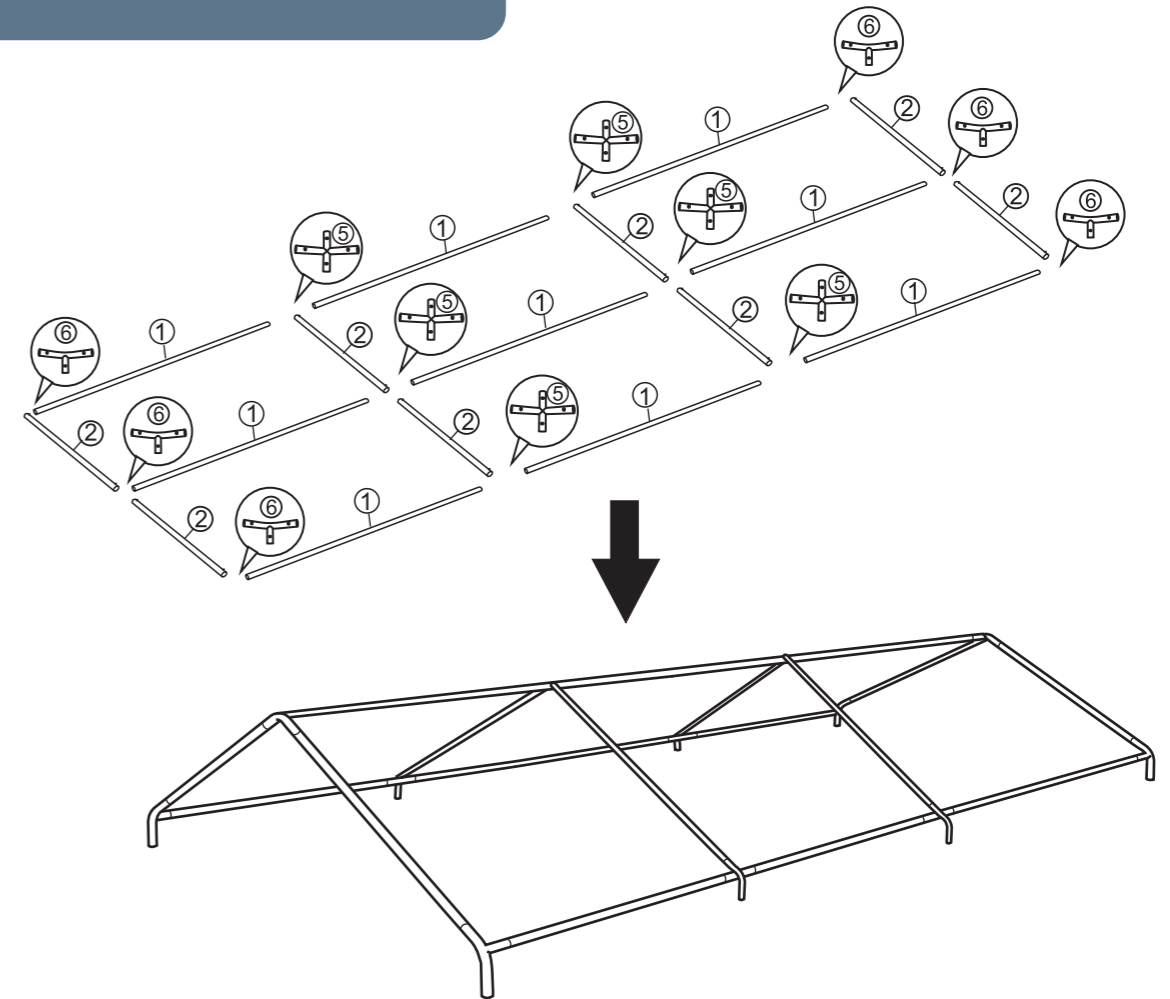
Thank You For Purchasing Carport

Please choose a suitable place before assembling the carport.
Please be sure to fix the carport to the ground by expansion bolt 4 or ground nail,9 which is particularly important for the stability of the carport.
Please read the instruction manual carefully before assembling and using it.
Please carefully check whether the actual parts are completely consistent with the parts in the instructions, and ensure that all parts in the package are intact, which is related to the installation and after-sales service of the carport.

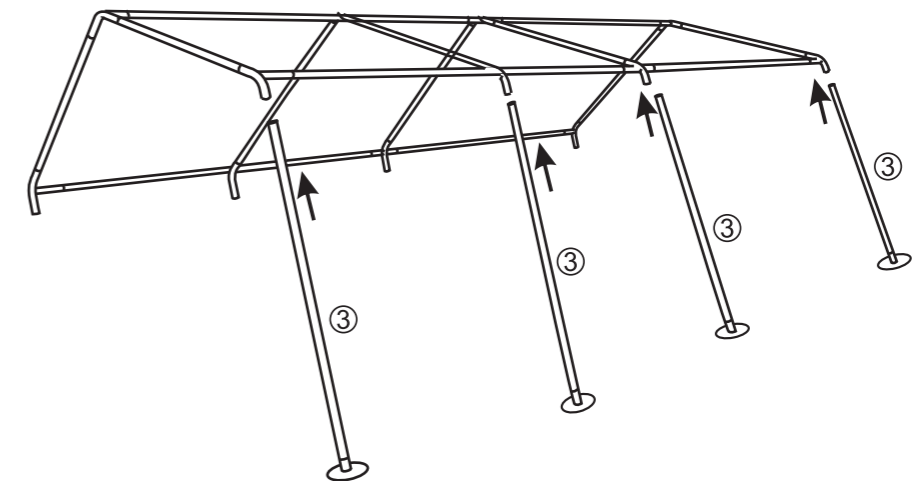
Parts List

②  8pcs	①  9pcs		
③  8pcs	④  8pcs	Ⓒ  2pcs	
⑤  6pcs	⑥  6pcs	⑦  8pcs	⑧  8pcs
⑨  8pcs	⑩  68pcs	⑪  8pcs	⑫  2pcs
⑬  4pcs	⑭  1pc	⑮  2pcs	⑯  2pcs

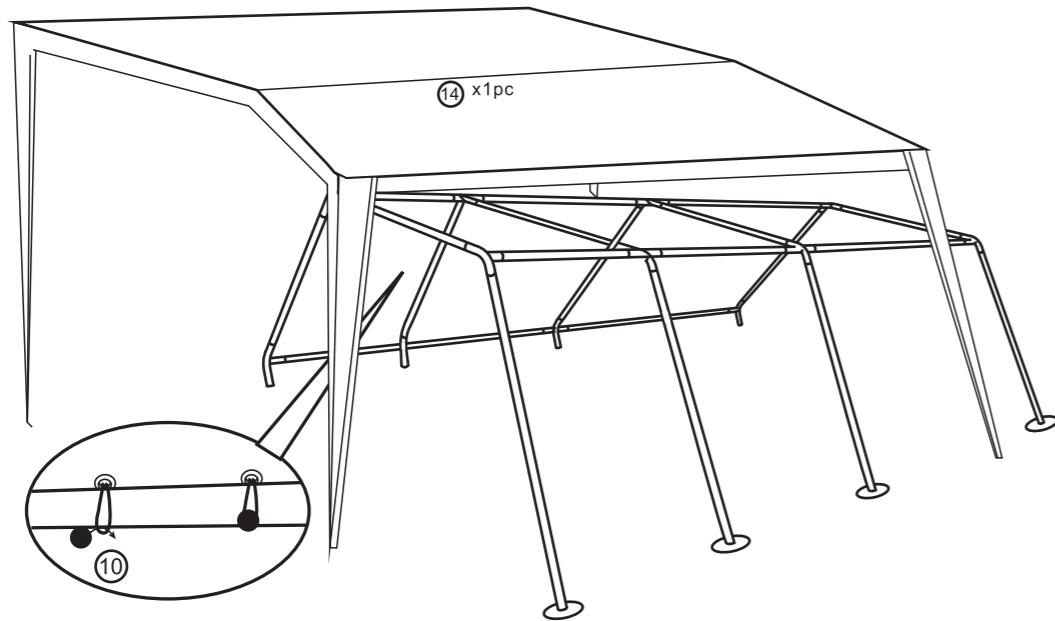
step 1: Assembled roof tube



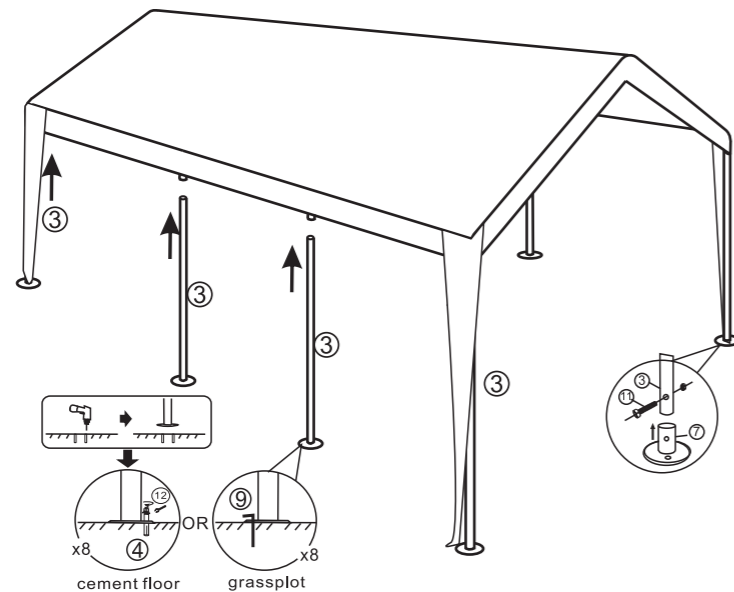
step 2: Assembled the leg tubes on either side



step 3: Assembled the cover 14, Connect the roof to the frame with parts 10

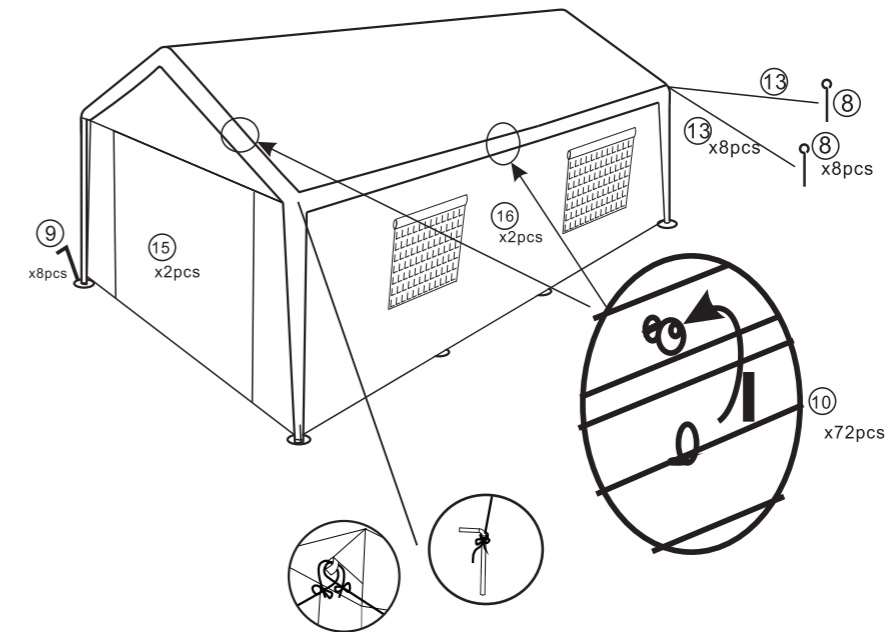


step 4: Assembled another side of the leg tubes



Please choose the reinforcement method according to the environment in which it is used. However, no matter which one you choose, reinforcement is necessary so that your items can be more stable.

step 5: Assembled the front, rear and side walls, fix them with parts 10, and fix the carport with ropes 13 and pegs 8



After opening the box, there is an additional complimentary repair adhesive tape (H) in the accessory package. Please keep it safe. If the tarpaulin is damaged due to special reasons, it can be temporarily repaired!