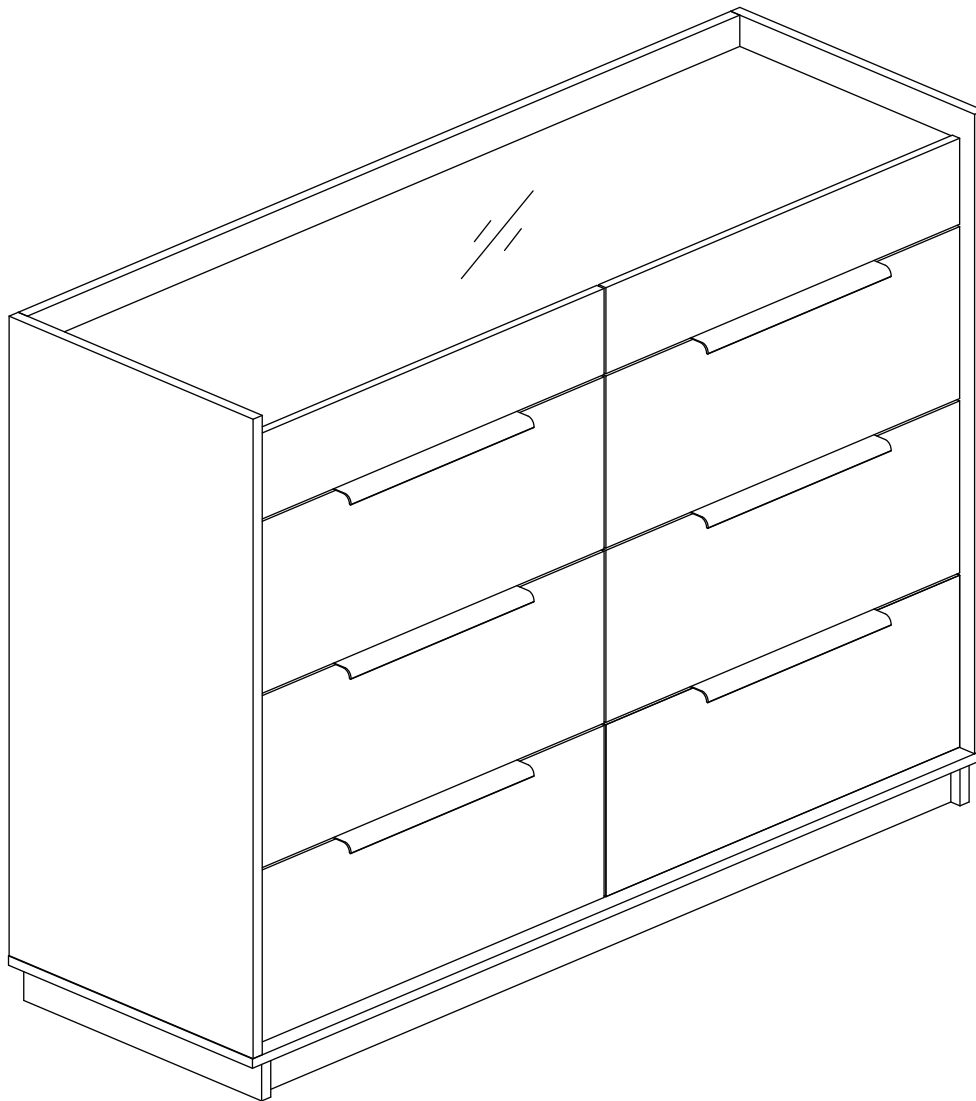


# 8 Drawer Cabinet

Assembly Instructions - Please keep for future reference



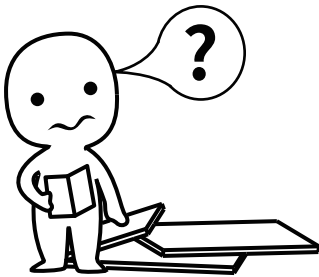
## Dimensions

Width - 54.3 inch

Depth - 15.7 inch

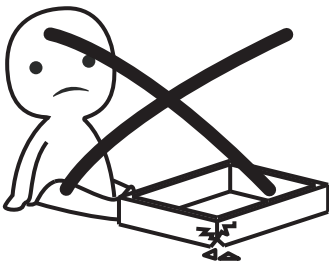
Height - 31.5 inch

Important – Please read these instructions fully before starting assembly



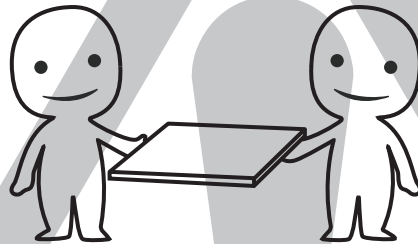
### **IMPORTANT INFORMATION!**

please read the entire manual before starting to assemble and/or using this product. follow the manual thoroughly and keep it for further reference.



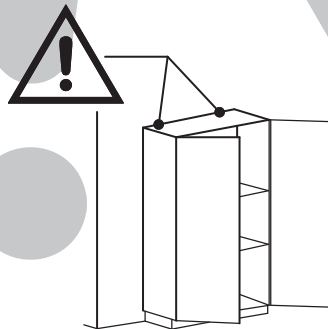
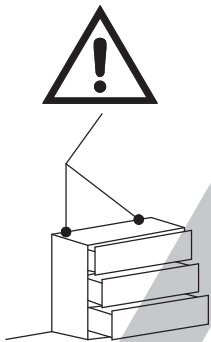
### **AVOID SCRATCHES!**

In order to avoid scratching this furniture should be assembled on a soft layer- could be a rug.



### **IMPROVE EFFICIENCY !**

Try to find a partner to install with you, which can speed up the installation efficiency and shorten the time.



### **ANTI-TOPPLE WARNING !**

Overtured furniture can cause serious or fatal crush injuries. To prevent tipping over, be sure to use the wall attachment, if not included with this product. Please purchase the wall attachment that fit your wall. If unsure, seek professional advice. Please read and follow each step of the instructions carefully.



# Safety and Care Advice

## Important – Please read these instructions fully before starting assembly

- Check you have all the components and tools listed on the following pages.
- Remove all fittings from the plastic bags and separate them into their groups.
- Keep children and animals away from the work area, small parts could choke if swallowed.
- Make sure you have enough space to layout the parts before starting.

- During assembly do not stand or put weight on the product, this could cause damage.
- Assemble the item as close to its final position (in the same room) as possible.
- Assemble on a soft level surface to avoid damaging the unit or your floor.
- Parts of the assembly will be easier with 2 people.



- To reduce the likelihood of damaging your product please ensure that your power drill is set on a low torque setting.

## Care and maintenance

- Only clean using a damp cloth and mild detergent, do not use bleach or abrasive cleaners.
- From time to time check that there are no loose screws on this unit.
- This product should not be discarded with household waste. Take to your local authority waste disposal centre.

## Handy Hints

- Assemble all parts and bolts loosely during assembly, only once the product is complete should you fully tighten the bolts
- Regularly check and ensure that all bolts and fittings are tightened properly.

## **WARNING** In order to help prevent overturning – please follow these instructions

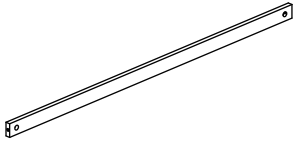
To help prevent product toppling over please follow the below steps:-

Use the anti tip strap or wall fixing method provided (if applicable)  
Do not allow children to climb or hang on the furniture  
Do not open more than one drawer at a time  
Do not place heavy items in the top drawers  
Do not place heavy items on top of the furniture, unless the furniture has been designed for this purpose

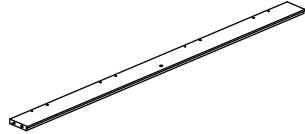
Please note that only the anti tip strap is provided.  
You will need to provide wall plugs and screws applicable for your wall type

# Componets - Panels

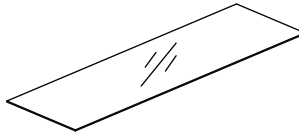
Please check you have all the panels listed below



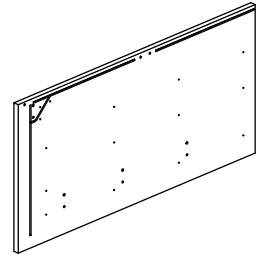
1 (1168\*40\*15mm x1)



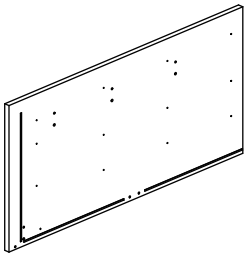
2 (1168\*75\*15mm x1)



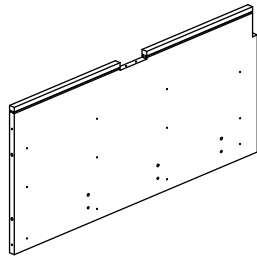
3 (1185\*351\*4mm x1)



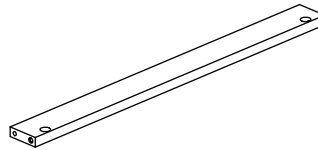
4 (818\*400\*15mm x1)



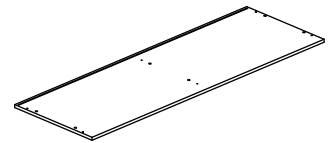
5 (818\*400\*15mm x1)



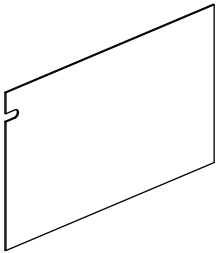
6 (774\*366\*15mm x1)



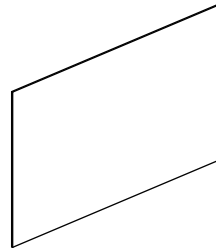
7 (576.5\*50\*15mm x6)



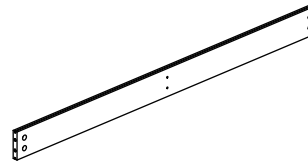
8 (1203\*400\*12mm x1)



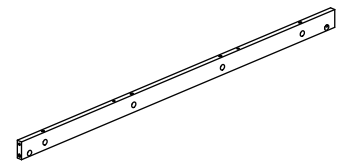
9 (585\*346\*3mm x2)



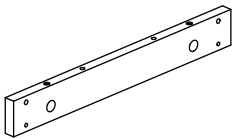
10 (585\*346\*3mm x2)



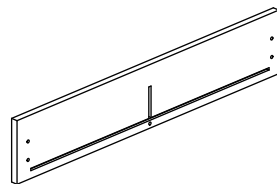
11 (1168\*85\*15mm x1)



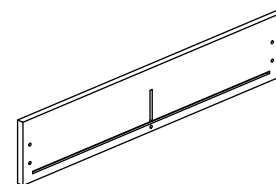
12 (1130\*50\*15mm x2)



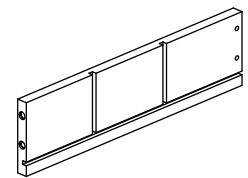
13 (390\*50\*15mm x2)



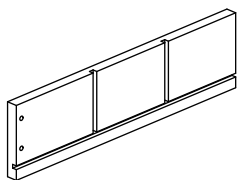
14 (580\*110\*12mm x1)



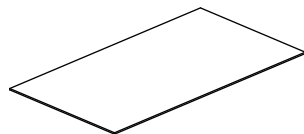
15 (580\*110\*12mm x1)



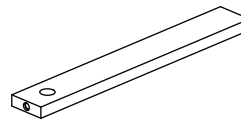
16 (300\*80\*12mm x2)



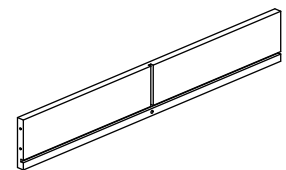
17 (300\*80\*12mm x2)



18 (537\*295\*3mm x2)



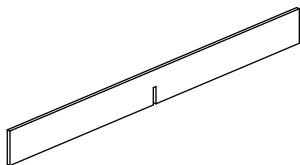
19 (287\*40\*12mm x8)



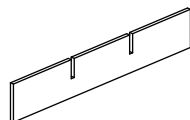
20 (528\*80\*12mm x2)

# Componets - Panels

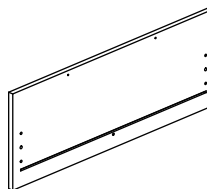
Please check you have all the panels listed below



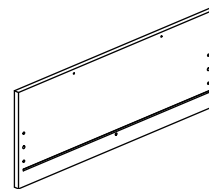
21 (537\*63\*5mm x4)



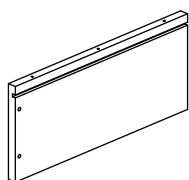
22 (297\*63\*5mm x2)



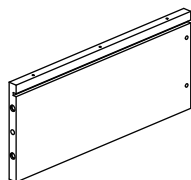
23 (580\*220\*12mm x3)



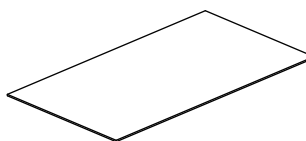
24 (580\*220\*12mm x3)



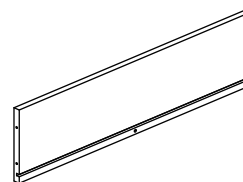
25 (300\*130\*12mm x6)



26 (300\*130\*12mm x6)



27 (537\*295\*3mm x6)

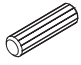
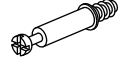


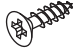


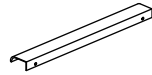
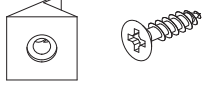
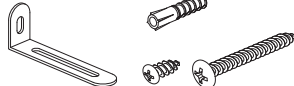
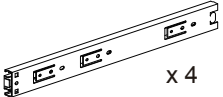
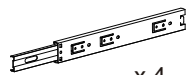
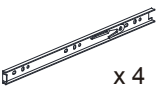
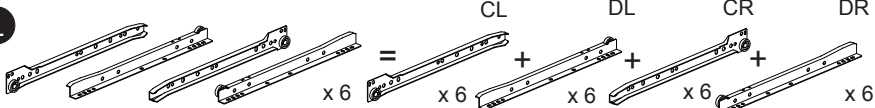
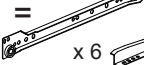

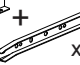
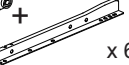
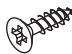
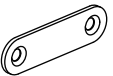



28 (528\*130\*12mm x6)

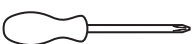
# Componets - Fittings

Please check you have all the fittings listed below

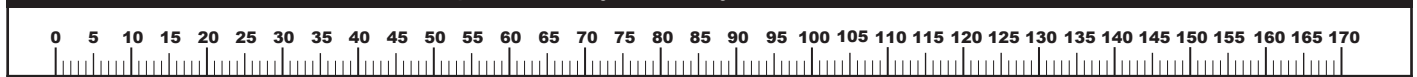
Note: The quantities below are the correct amount to complete the assembly. In some cases more fittings may be supplied are required.

<b>A</b>  6*30mm Wooden Dowel x 49	<b>B</b>  6*35mm Cam Bolt x 76	<b>C</b>  Cam Lock x 76	
<b>D</b>  x 1	<b>E</b>  3*12mm Screw x 98	<b>F</b>  4*35mm Screw x 47	
<b>G</b>  4*40mm Screw x 6	<b>H</b>  x 6	<b>I</b>  x 16	
<b>J</b>  x 2	<b>K</b>  x 4 = <b>K-1</b>  x 4 + <b>K-2</b>  x 4		
<b>L</b>  x 6 =  x 6 +  x 6 +  x 6 +  x 6			<b>M</b>  4*12mm Screw x 12
<b>N</b>  x 1	<b>O</b>  x 1		

## Tools required

 Phillips screwdriver (medium & large)

## Ruler - Use this ruler to help correctly identify the screws

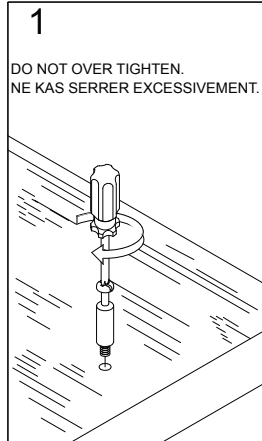


The screws length is measured from the head to the point (30mm screw shown).

# Using Camlocks

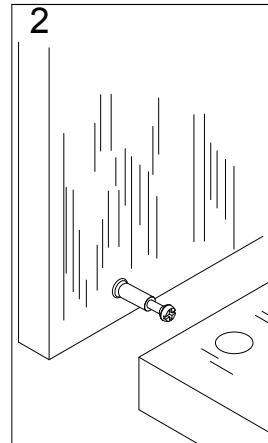
## Step 1

Connect the male camlock as directed in the assembly instructions using a screwdriver.



## Step 2

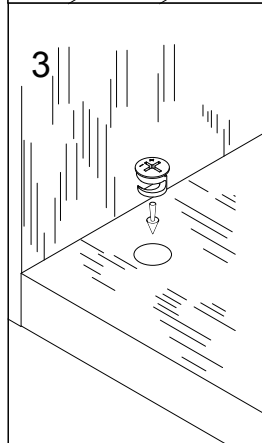
Push the male camlock into the entry hole.



## Step 3

Insert the female camlock as shown in the instructions.

Note: ensure that the arrow on the top of the camlock points towards the entry hole for the male camlock.

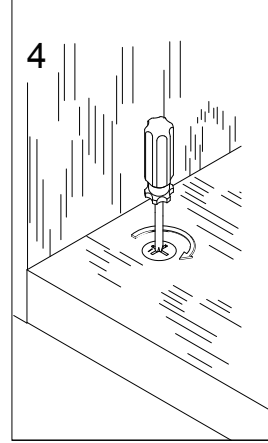


## Step 4

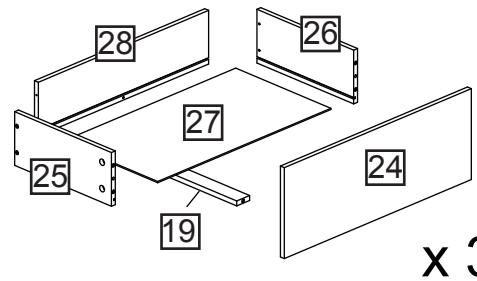
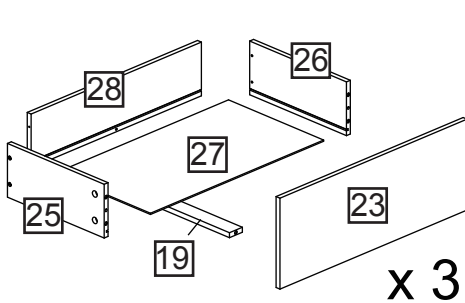
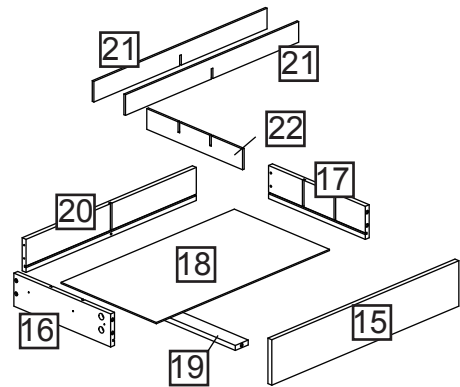
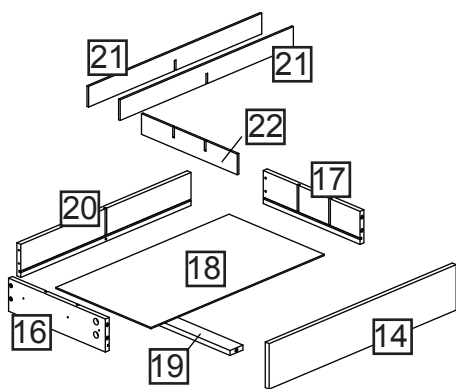
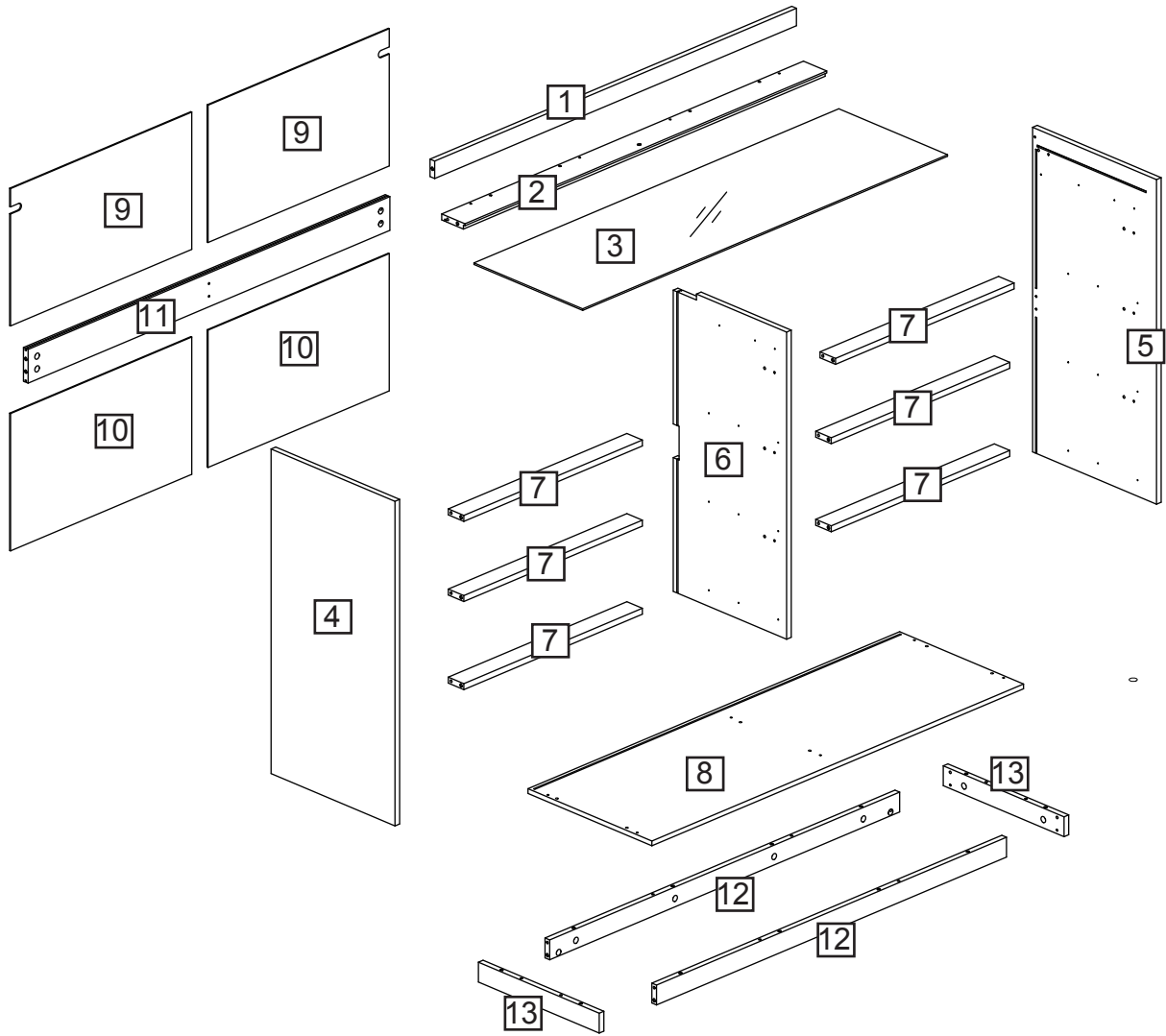
Turn the female camlock clockwise with a screwdriver.

You should feel a click when the camlock is locked in place.

The joint is now secure.

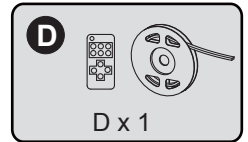
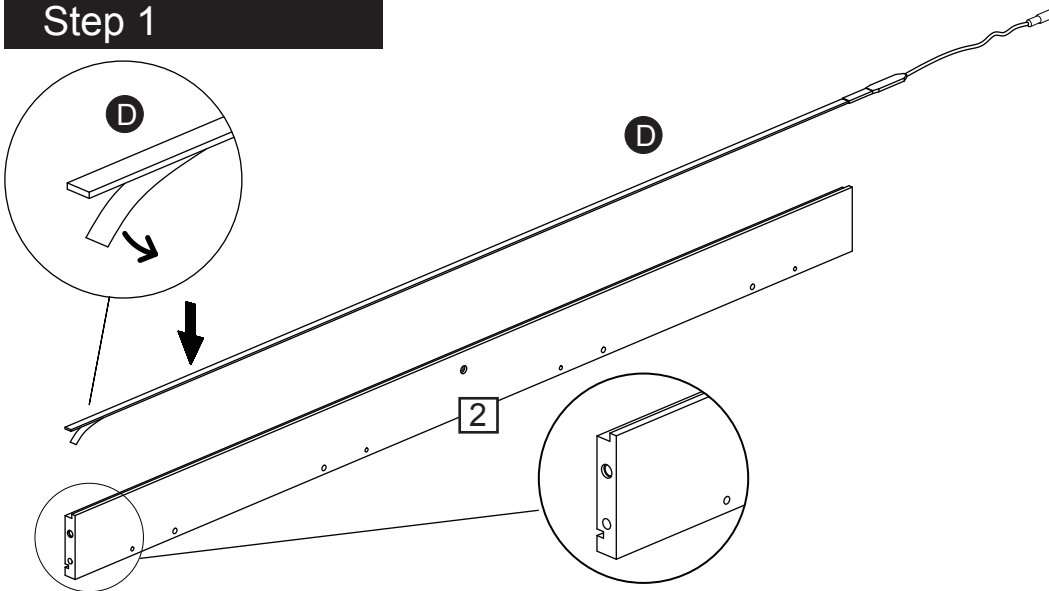


# Assembly Instructions

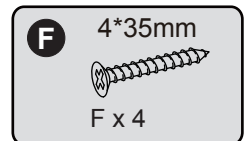
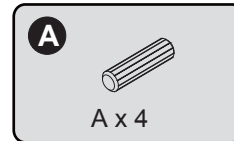
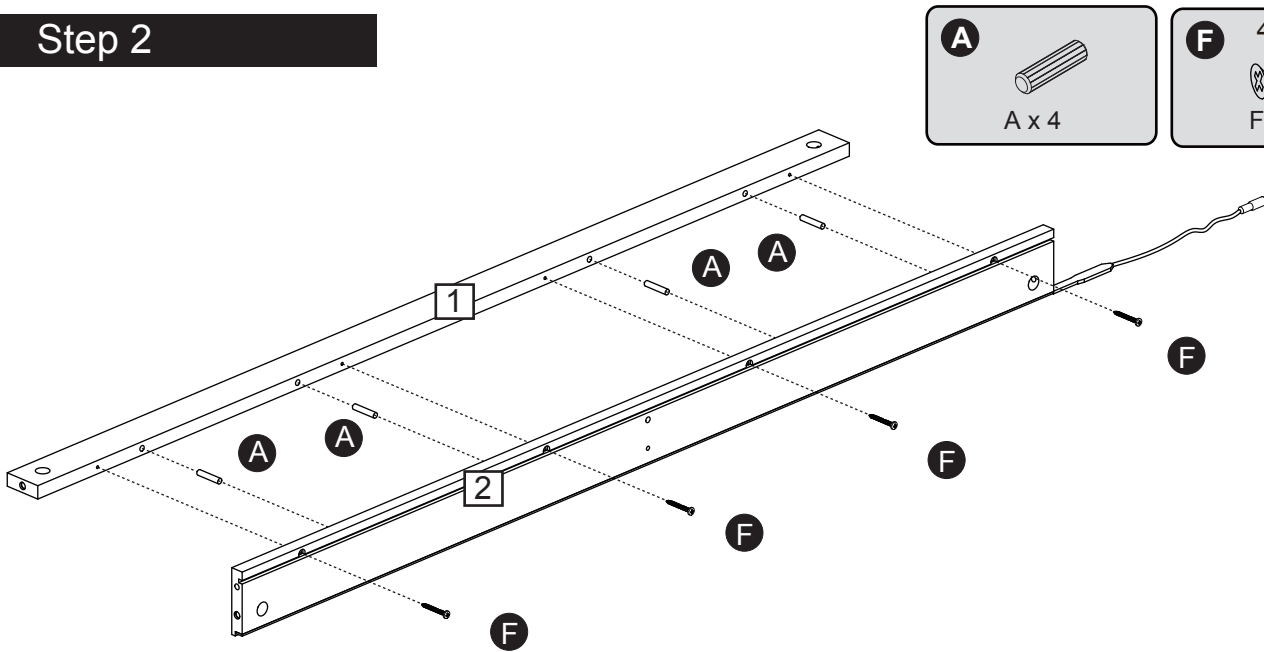


# Assembly Instructions

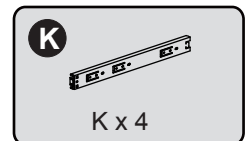
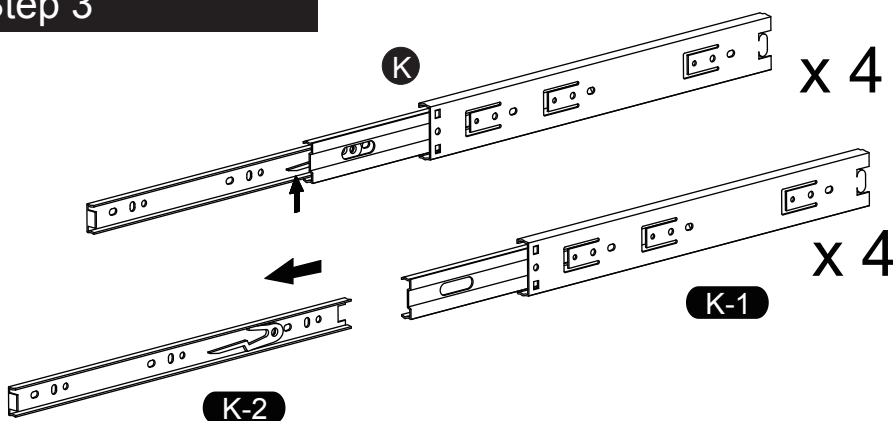
## Step 1



## Step 2



## Step 3

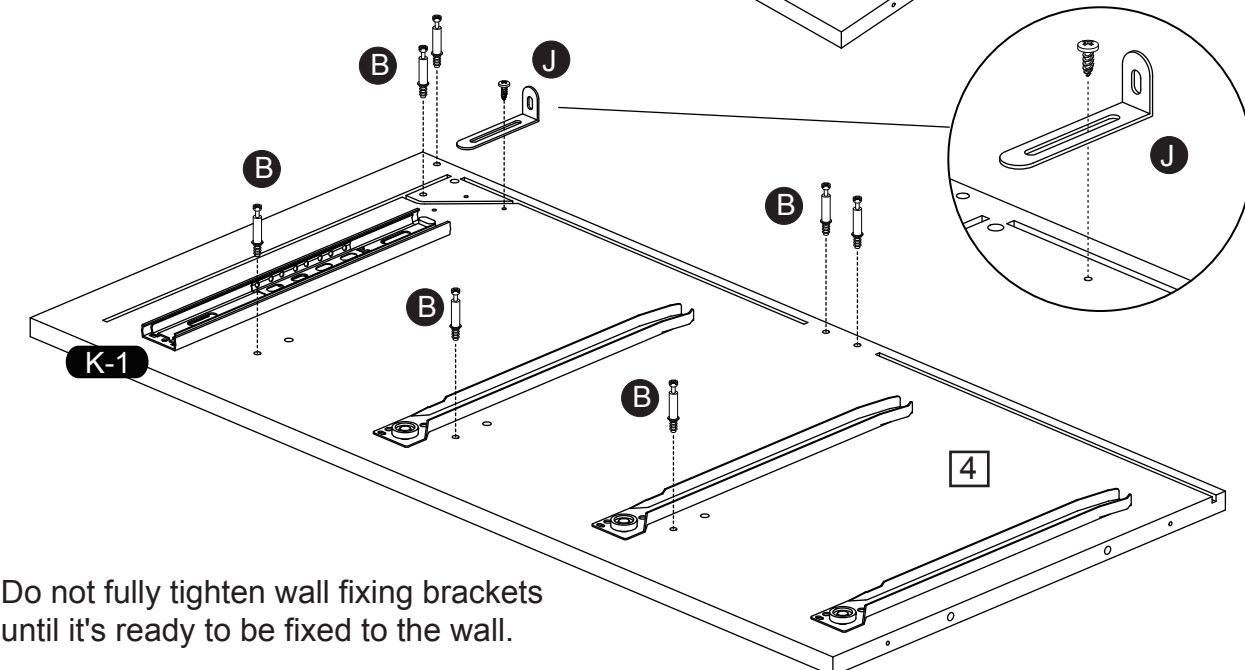
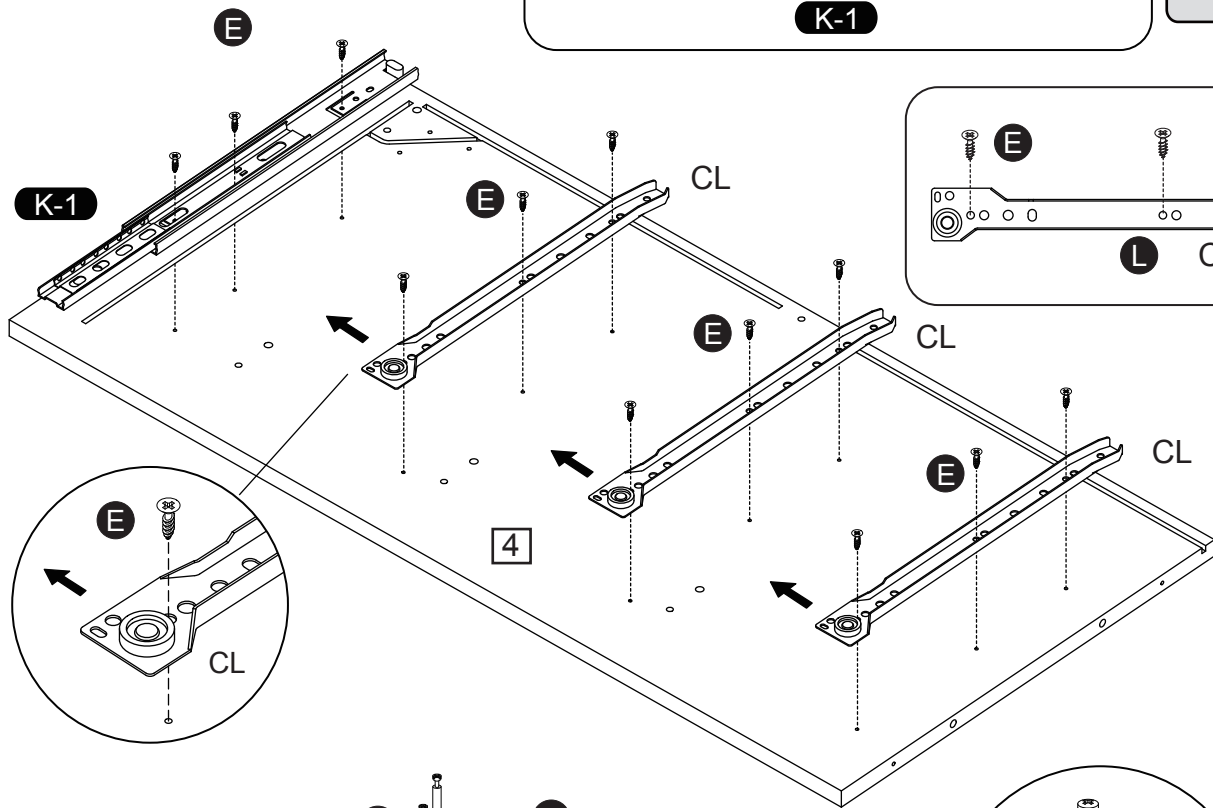
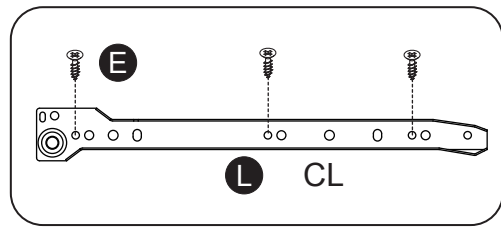
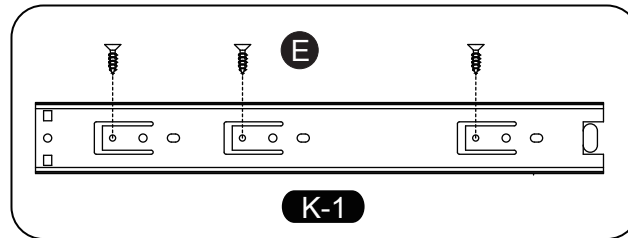
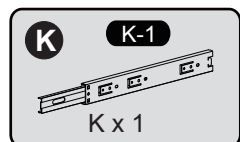
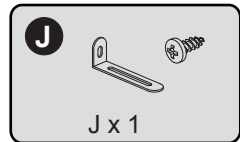
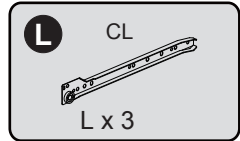
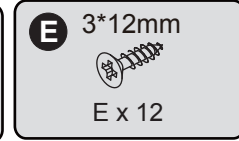
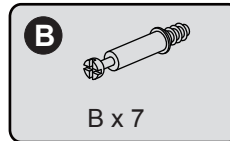
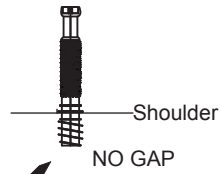
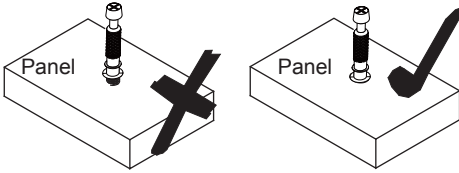


# Assembly Instructions

## Step 4

### CAM-LOCK

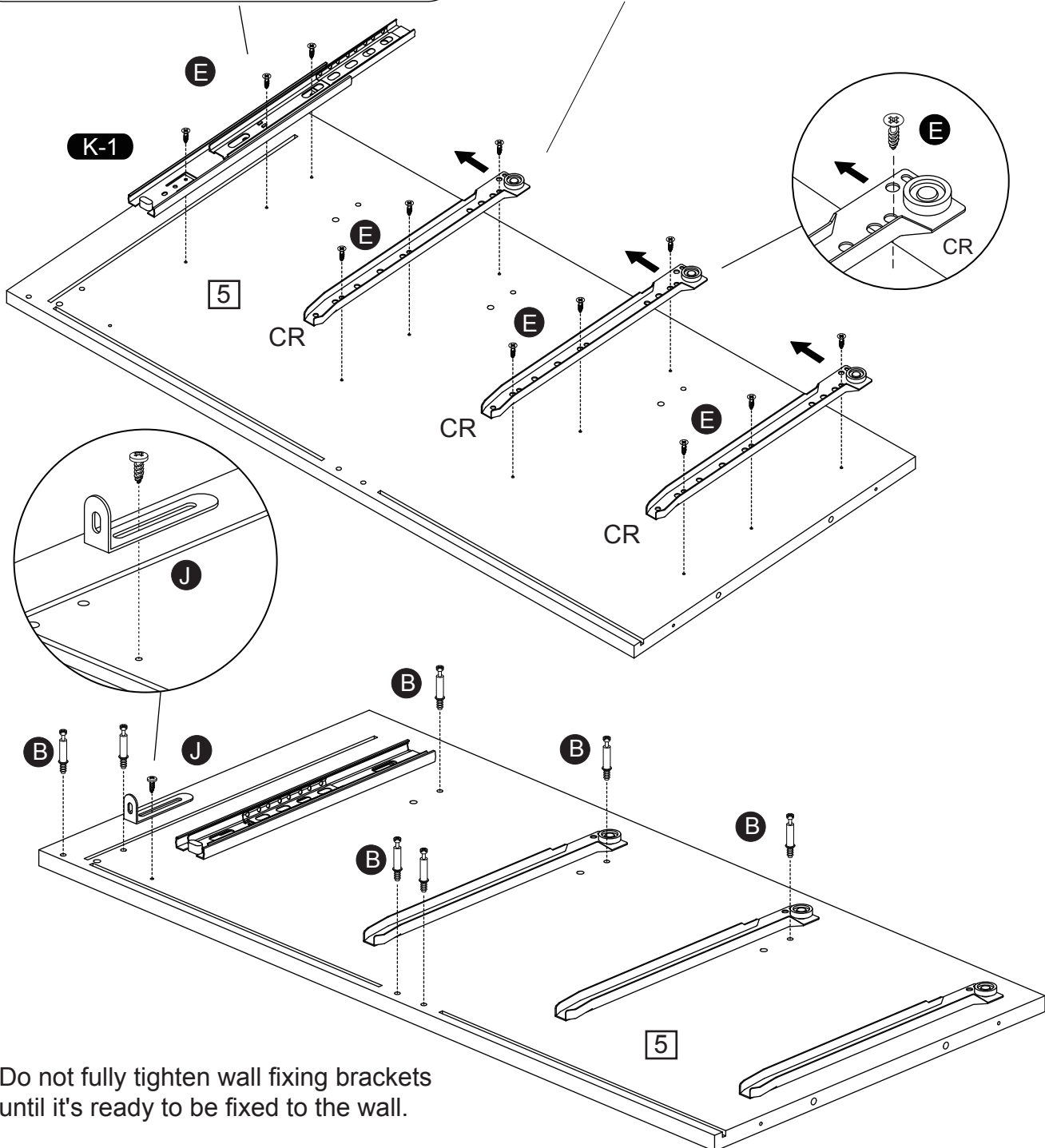
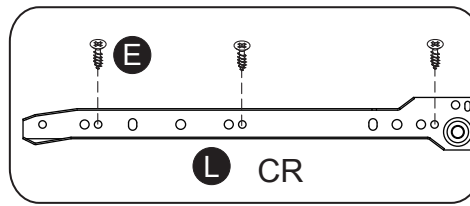
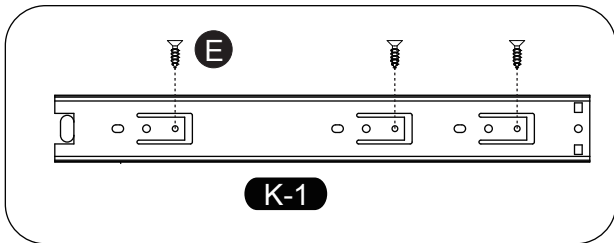
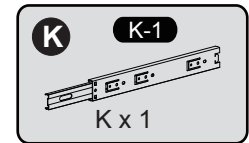
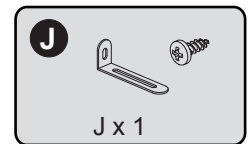
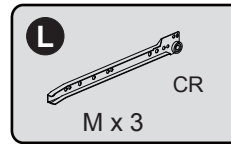
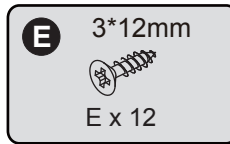
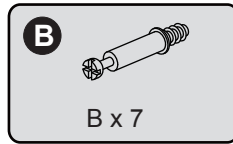
Tighten until shoulder is flush with panel. Do not overtighten or undertighten (see example below)



Do not fully tighten wall fixing brackets until it's ready to be fixed to the wall.

# Assembly Instructions

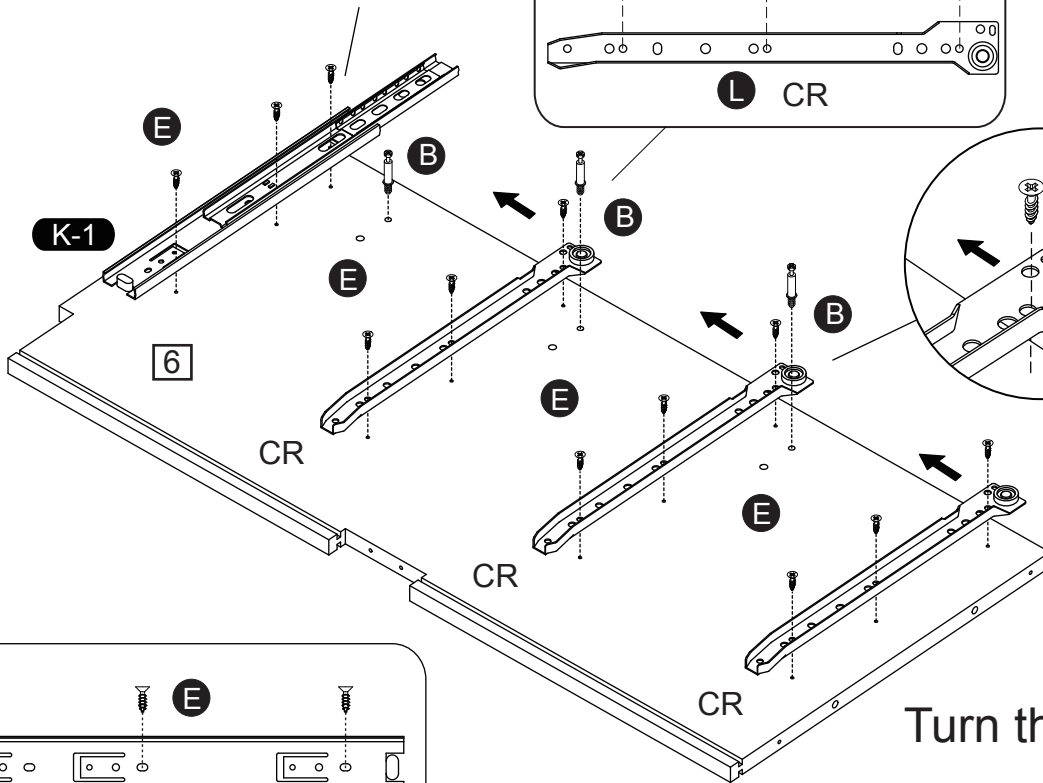
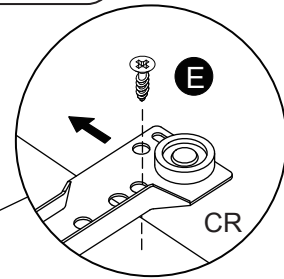
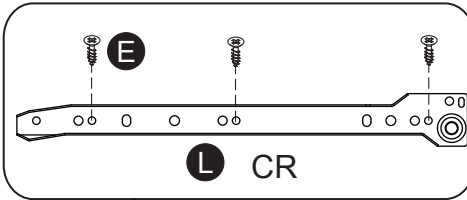
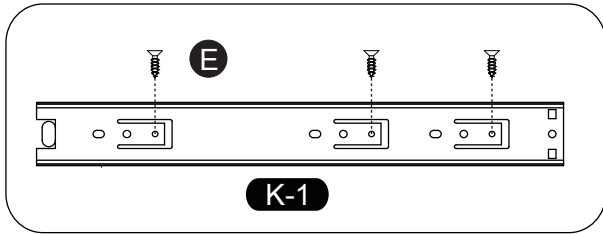
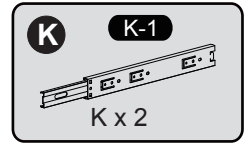
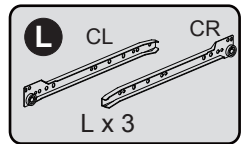
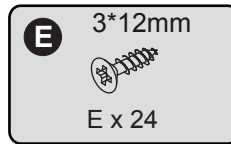
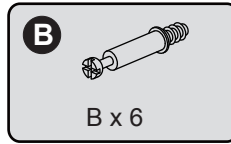
## Step 5



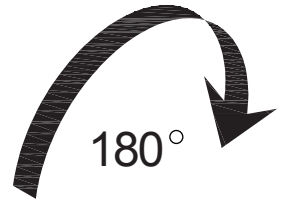
Do not fully tighten wall fixing brackets until it's ready to be fixed to the wall.

# Assembly Instructions

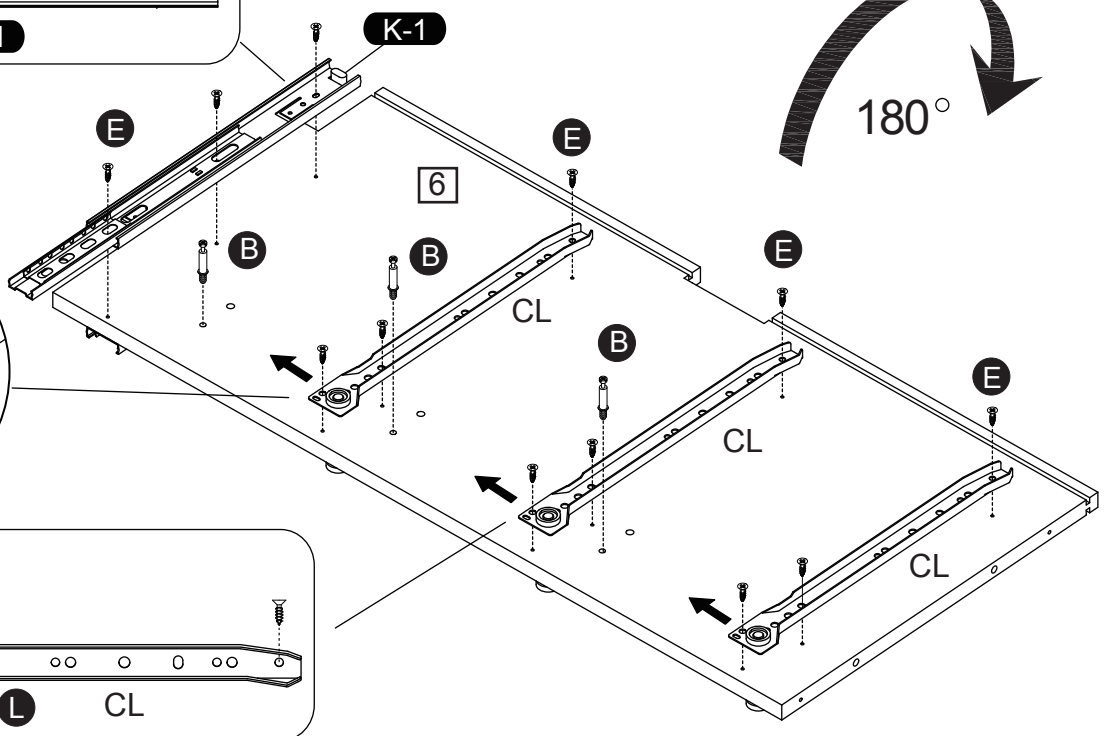
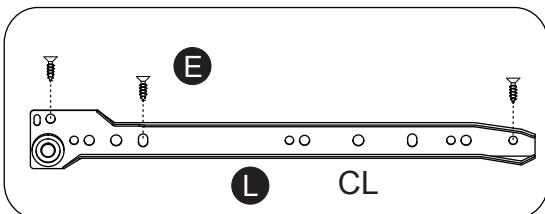
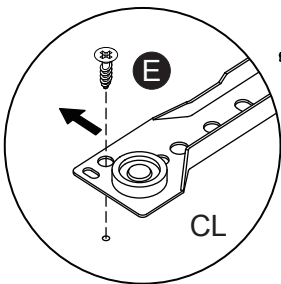
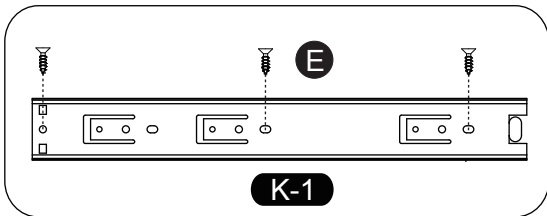
## Step 6



Turn the panel over

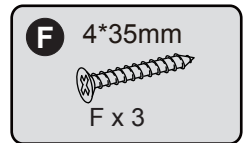
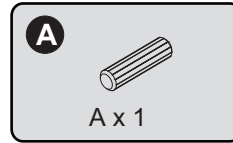
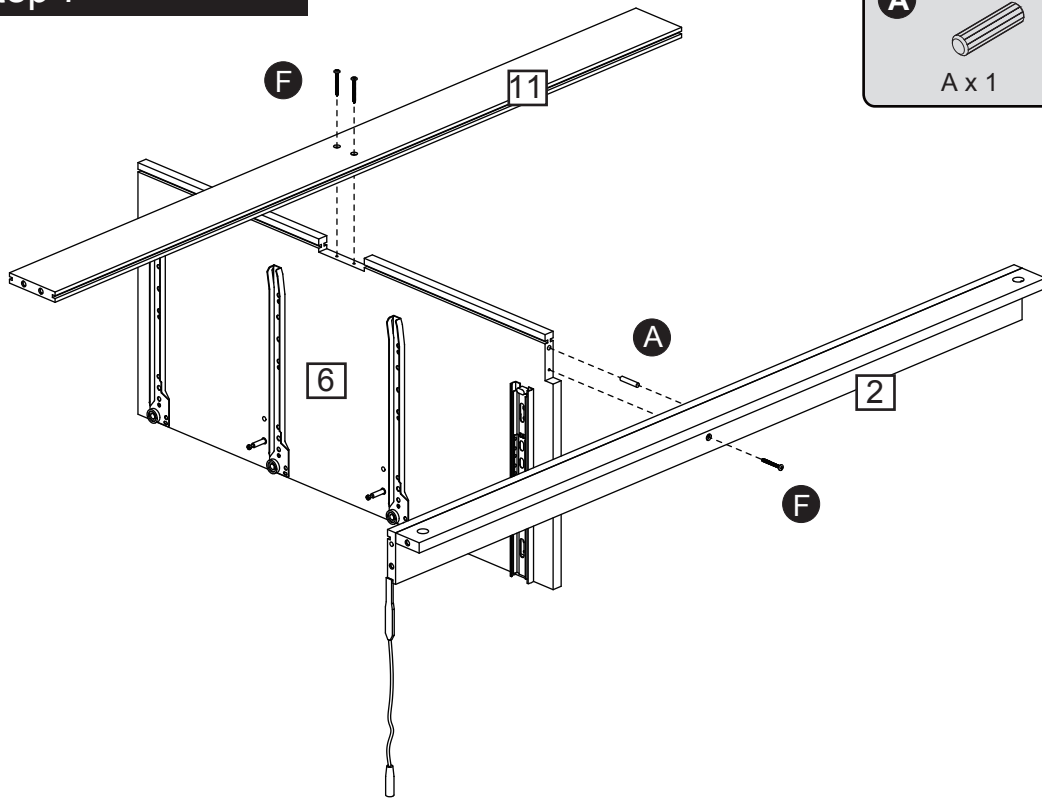


180°

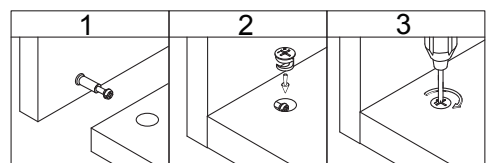
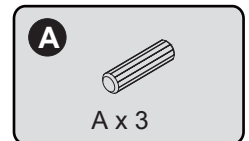
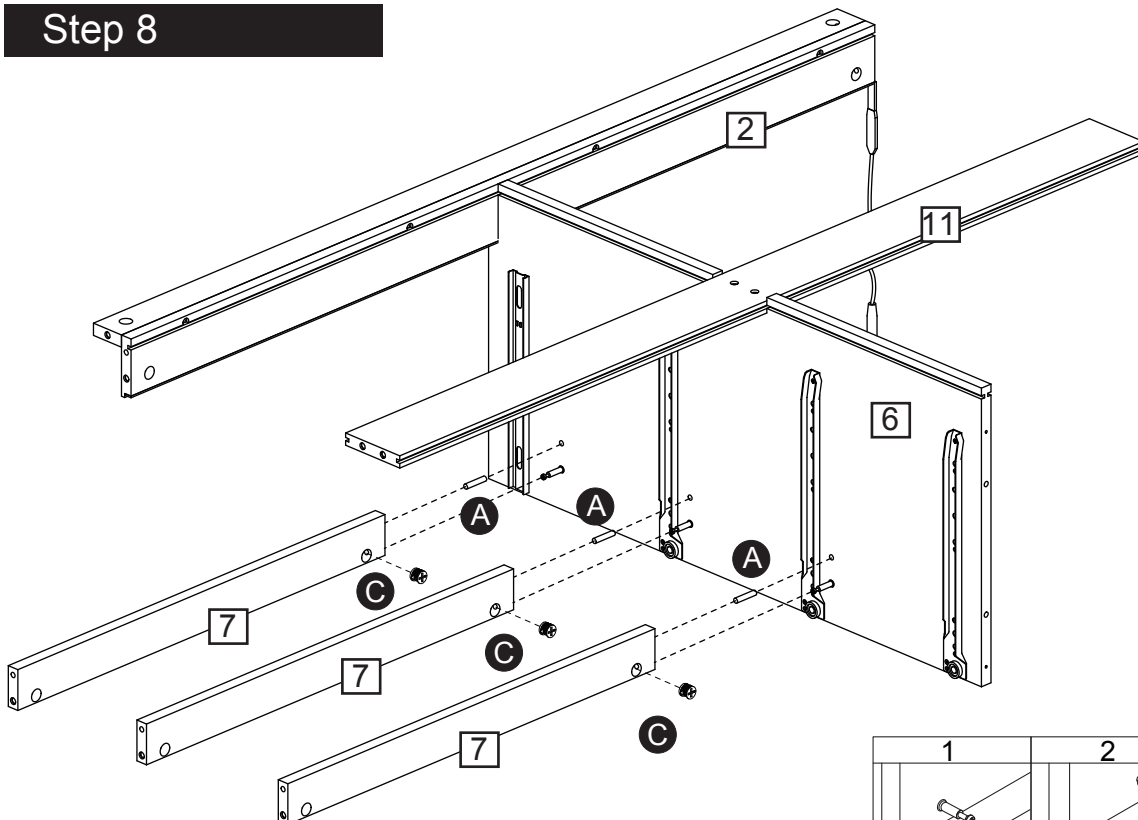


# Assembly Instructions

## Step 7

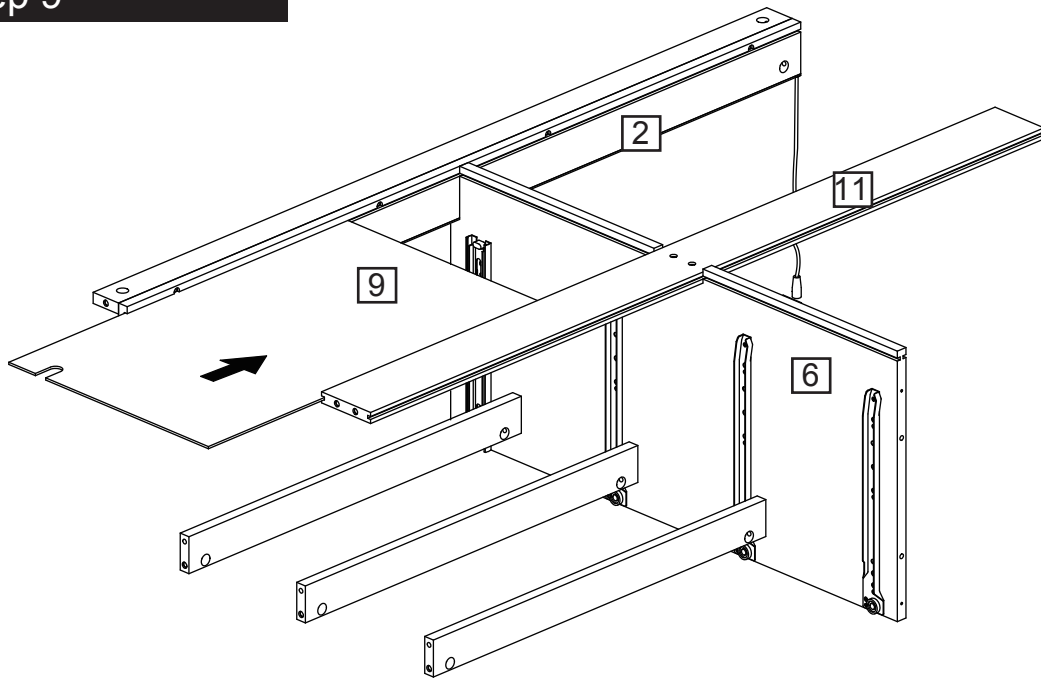


## Step 8

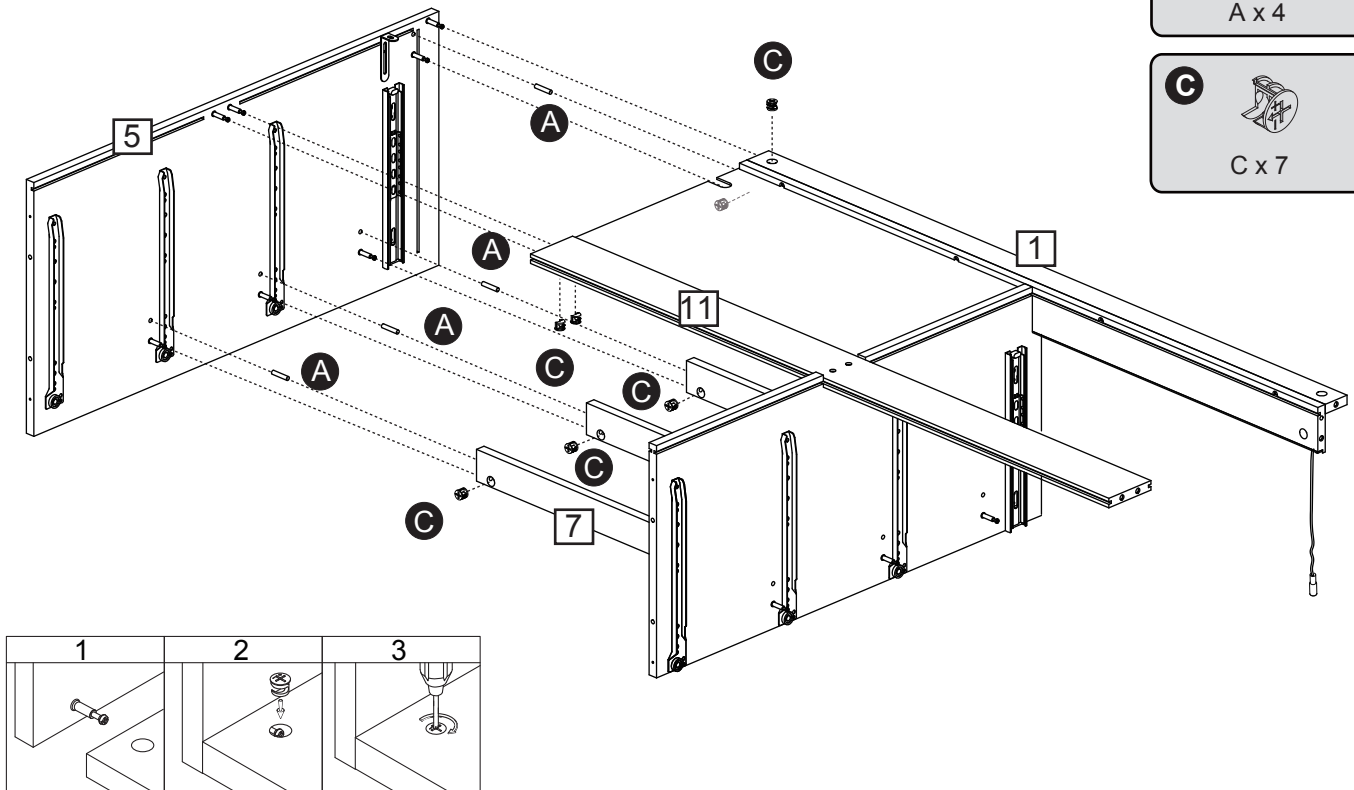
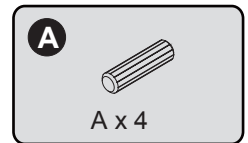


# Assembly Instructions

## Step 9

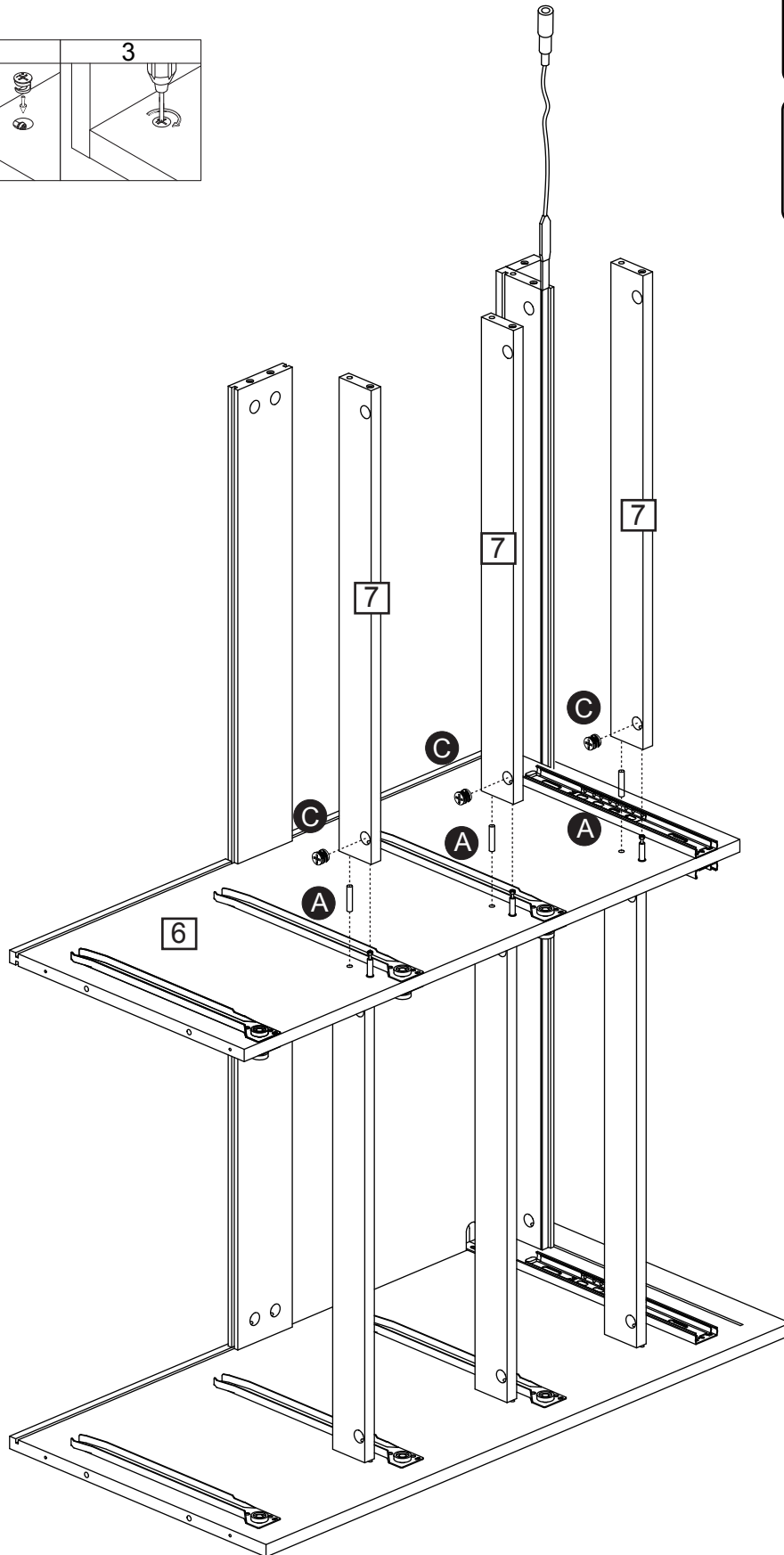
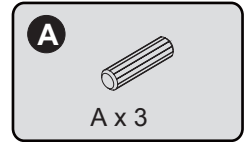
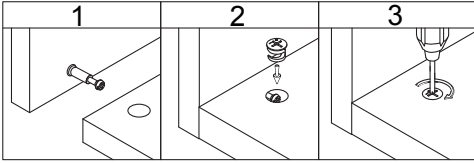


## Step 10



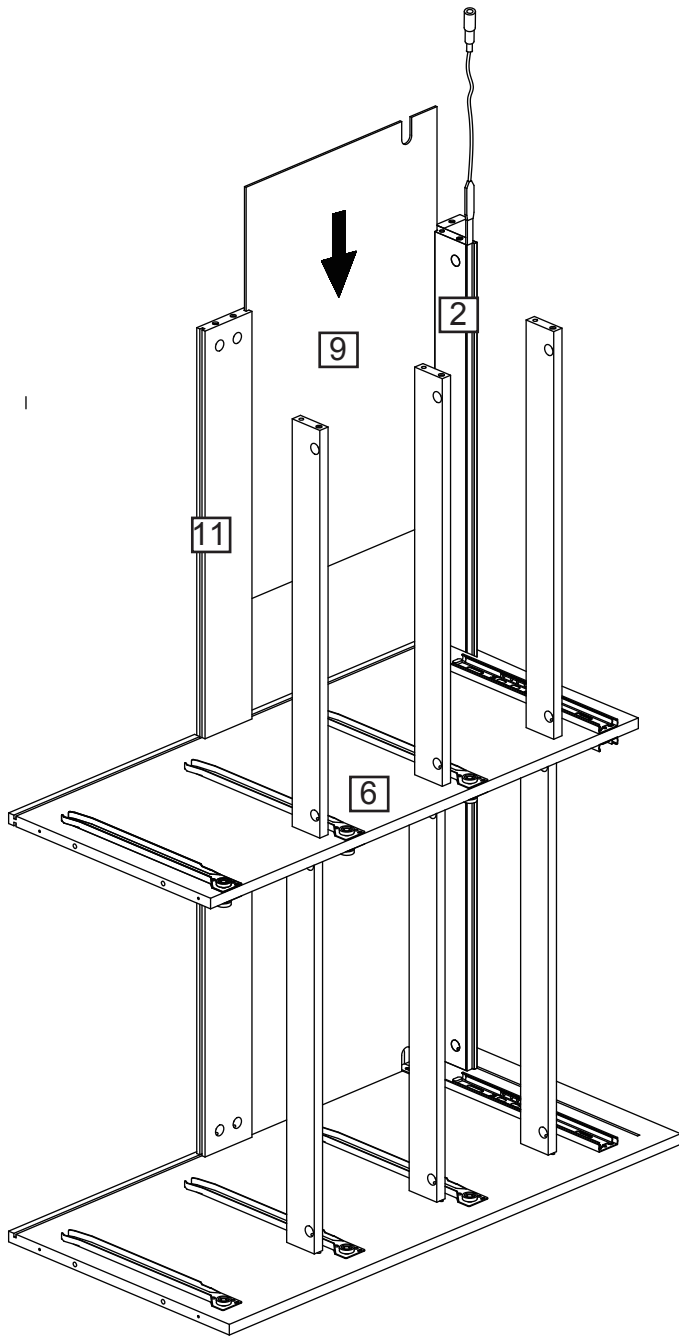
# Assembly Instructions

## Step 11

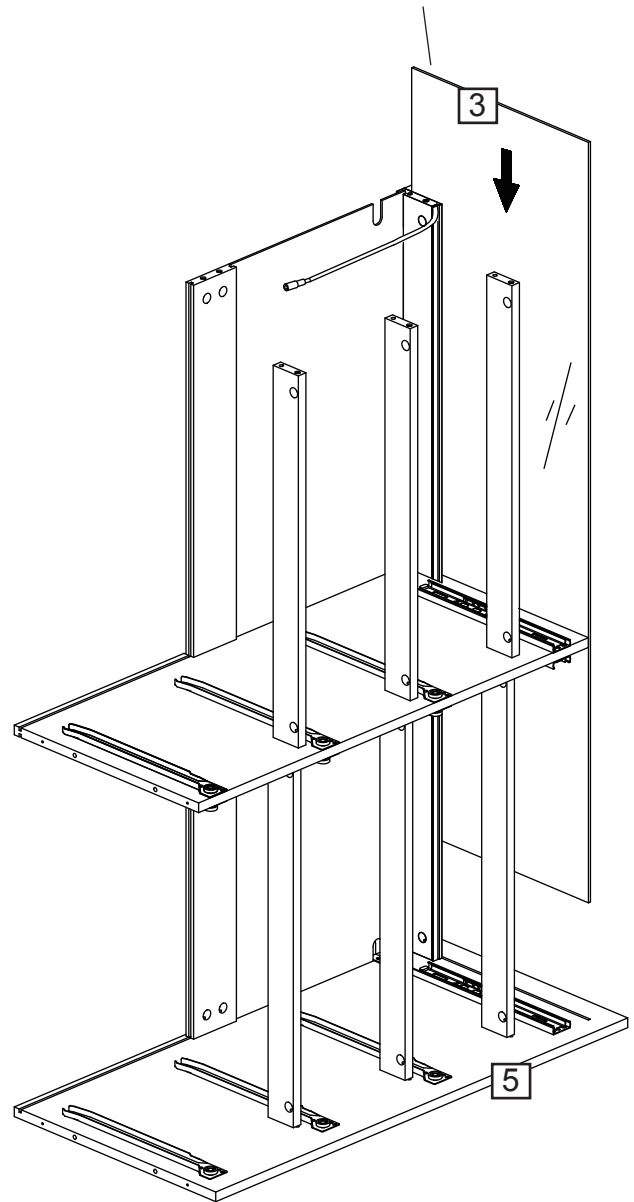


# Assembly Instructions

## Step 12

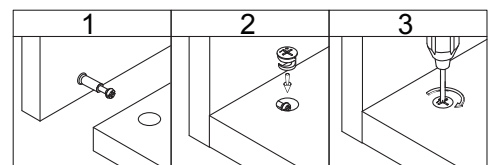
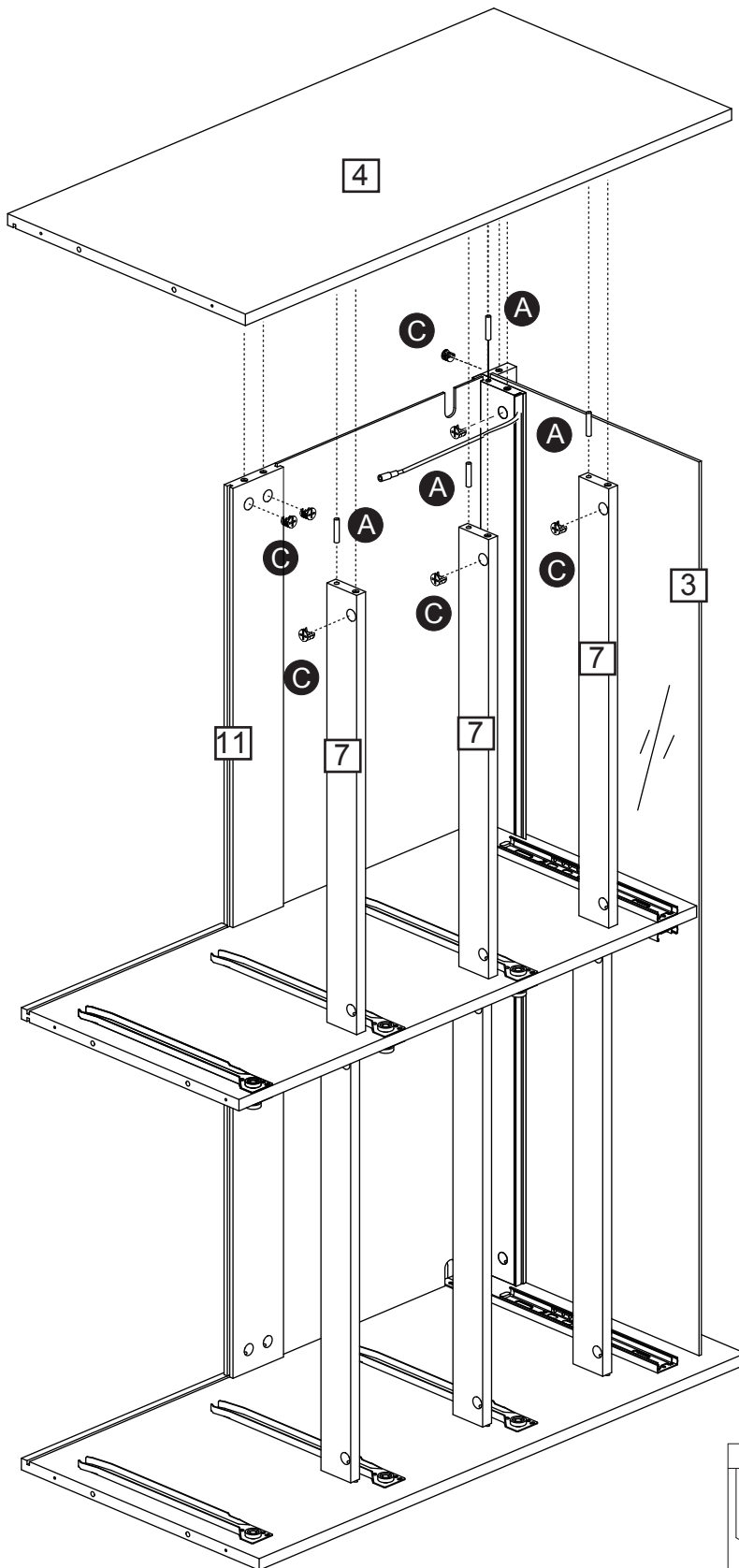
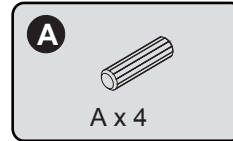


When installing the glass, you should hold it by hand to avoid falling.



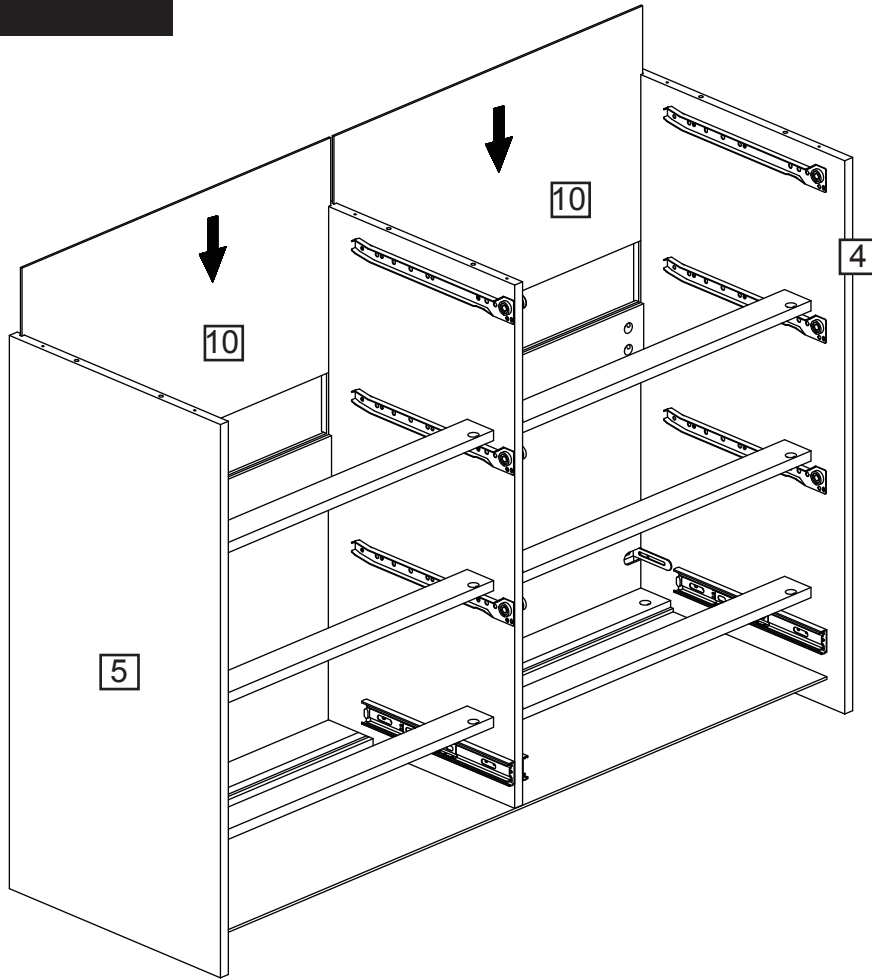
# Assembly Instructions

## Step 13



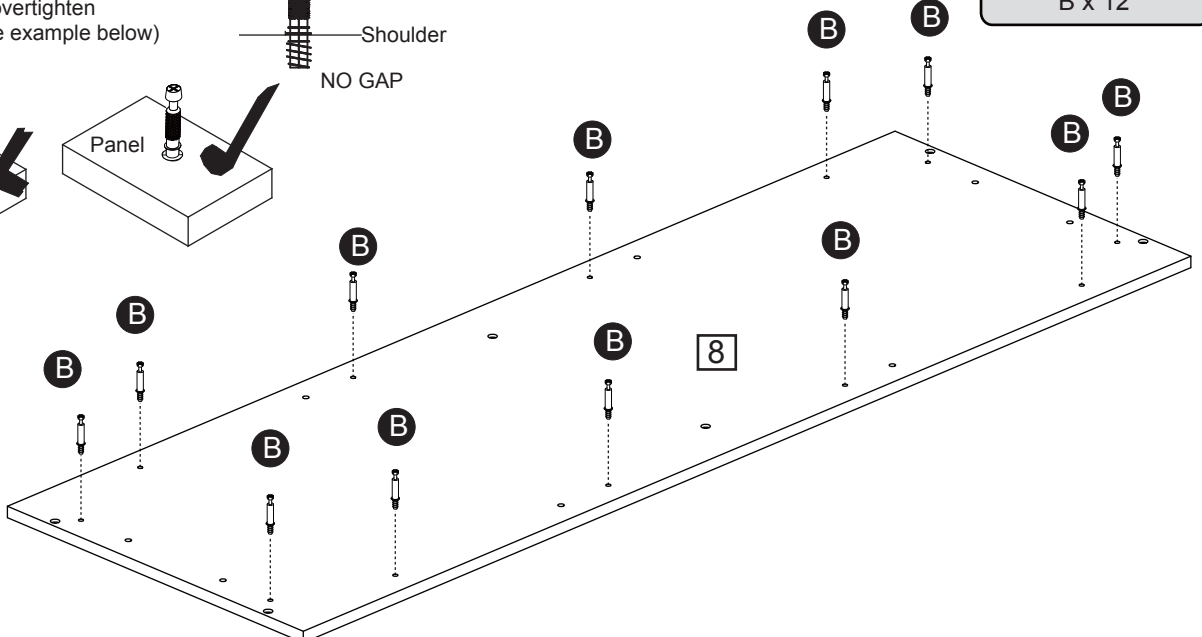
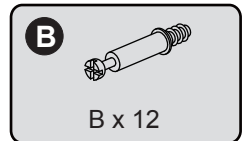
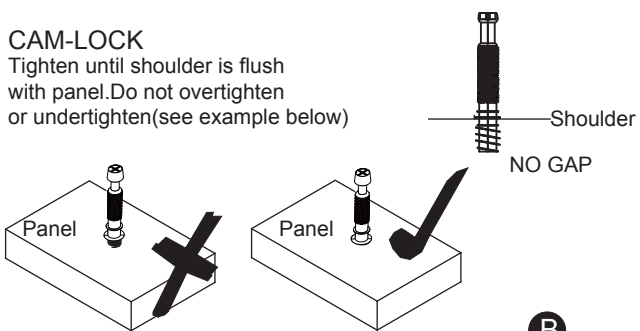
# Assembly Instructions

## Step 14



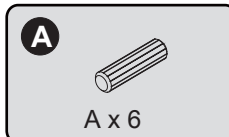
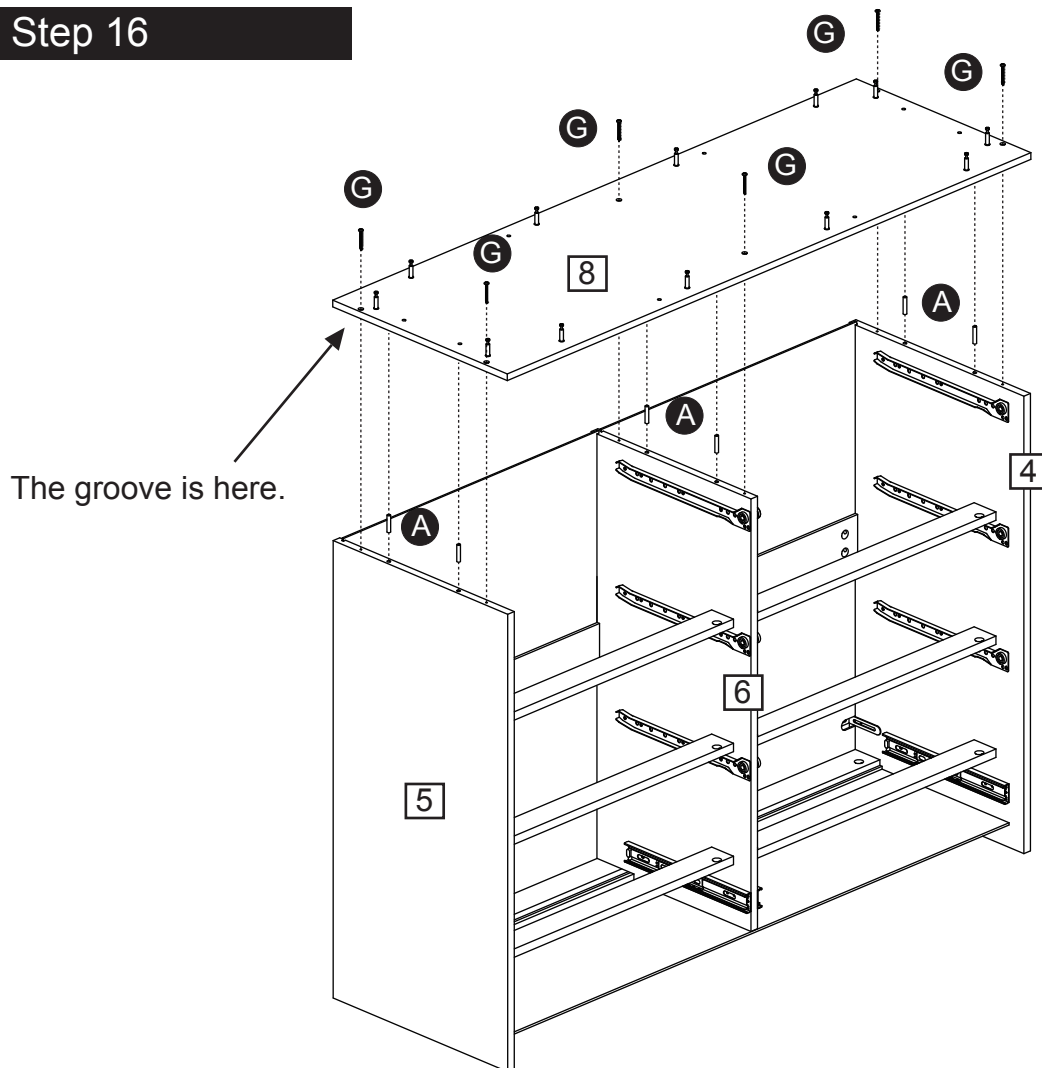
## Step 15

**CAM-LOCK**  
Tighten until shoulder is flush with panel. Do not overtighten or undertighten (see example below)

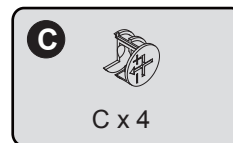
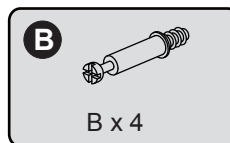
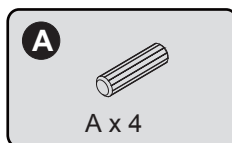
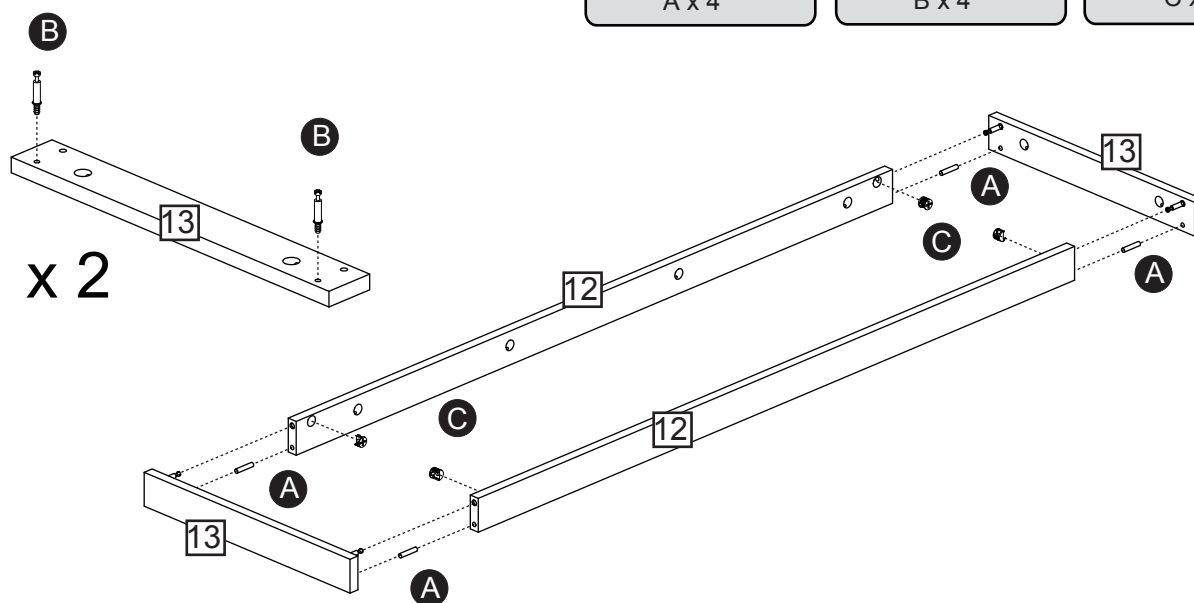


# Assembly Instructions

## Step 16

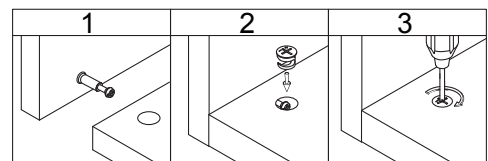
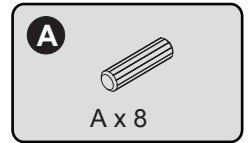
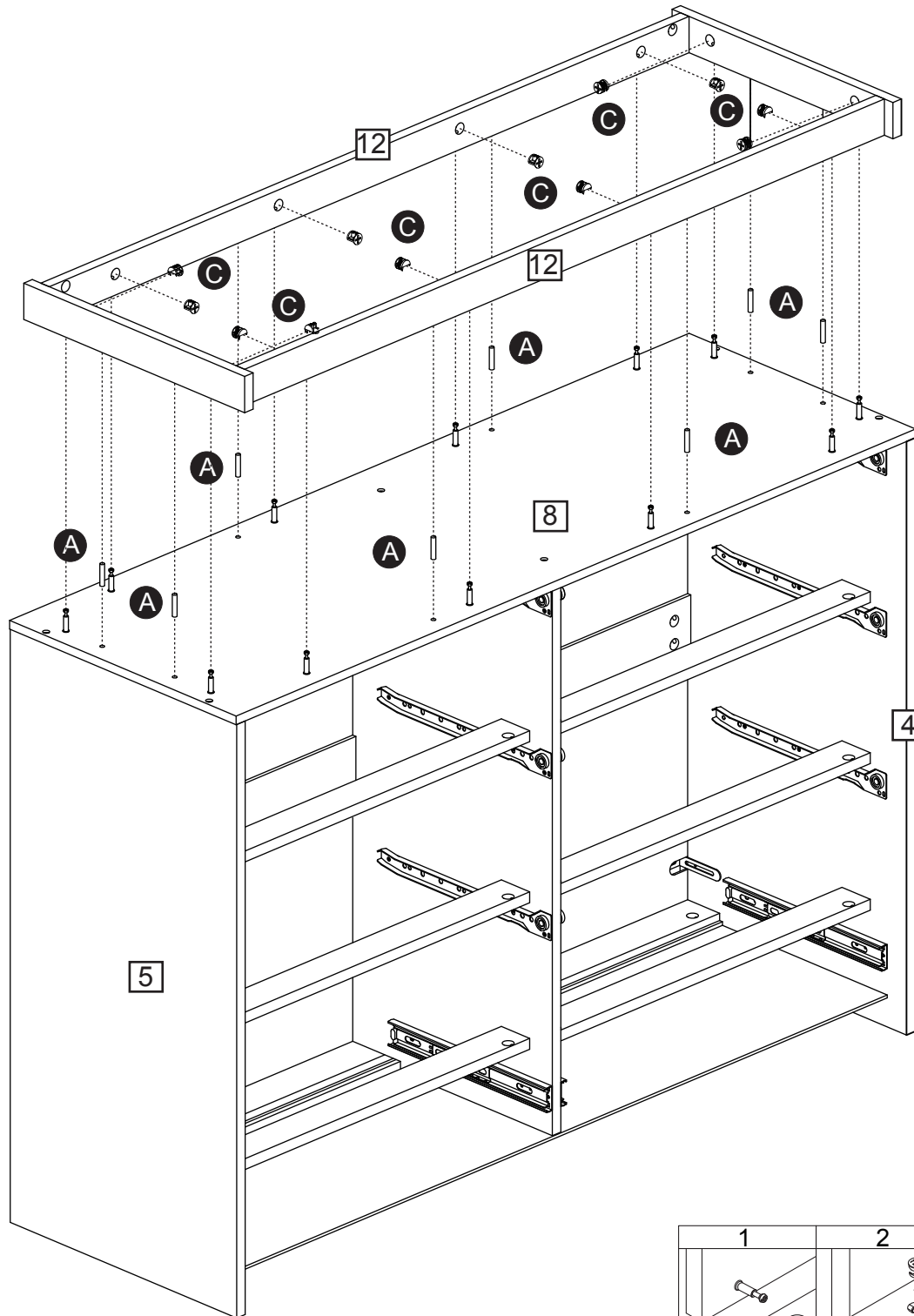


## Step 17



# Assembly Instructions

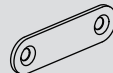
## Step 18



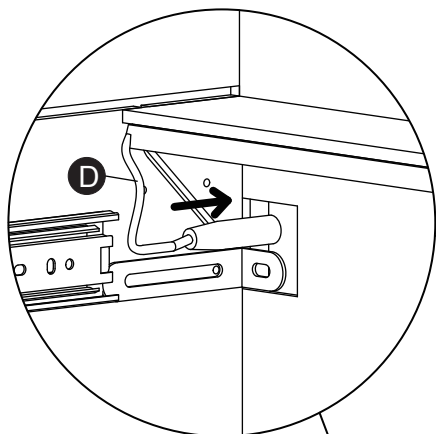
# Assembly Instructions

## Step 19

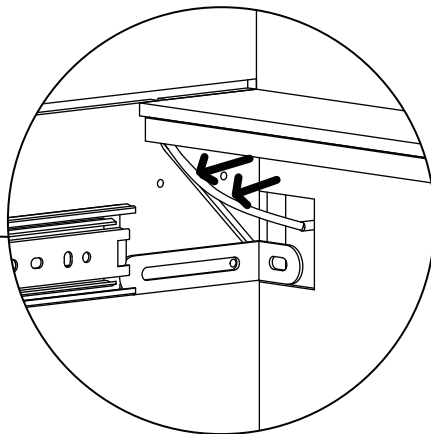
**E** 3\*12mm  
  
E x 2

**N**  
  
N x 1

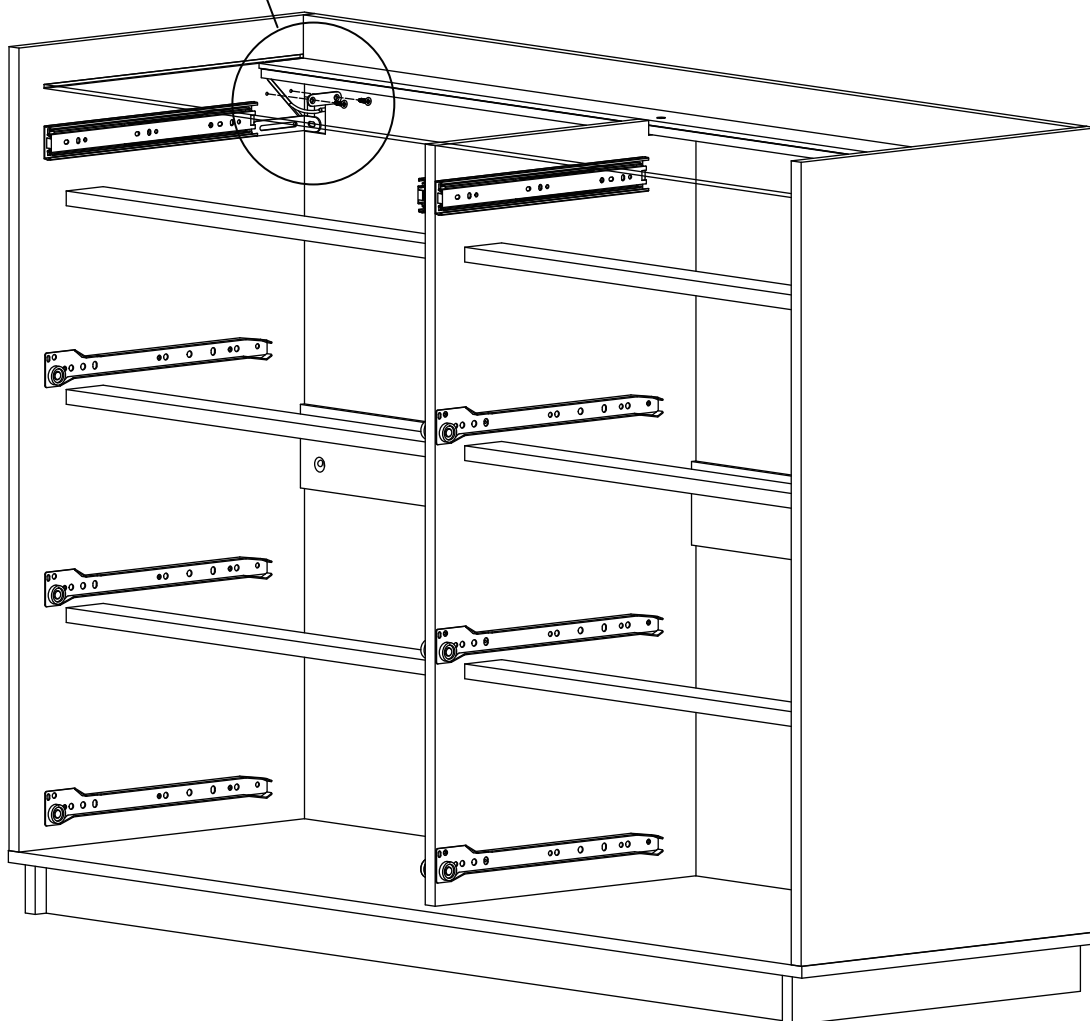
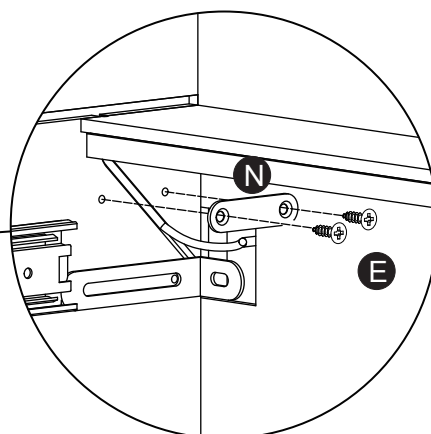
1



2

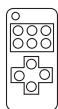
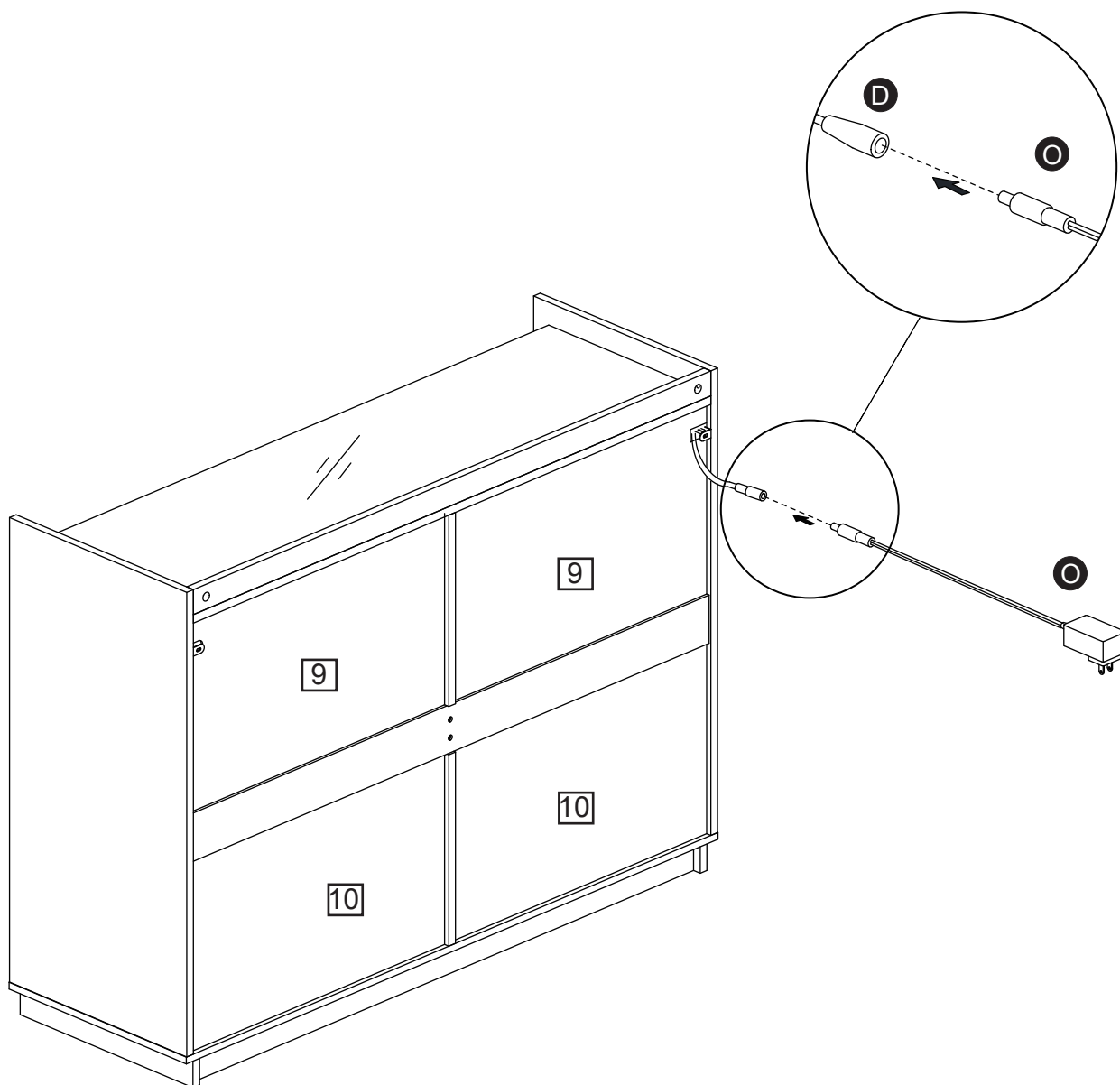
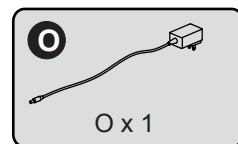


3



# Assembly Instructions

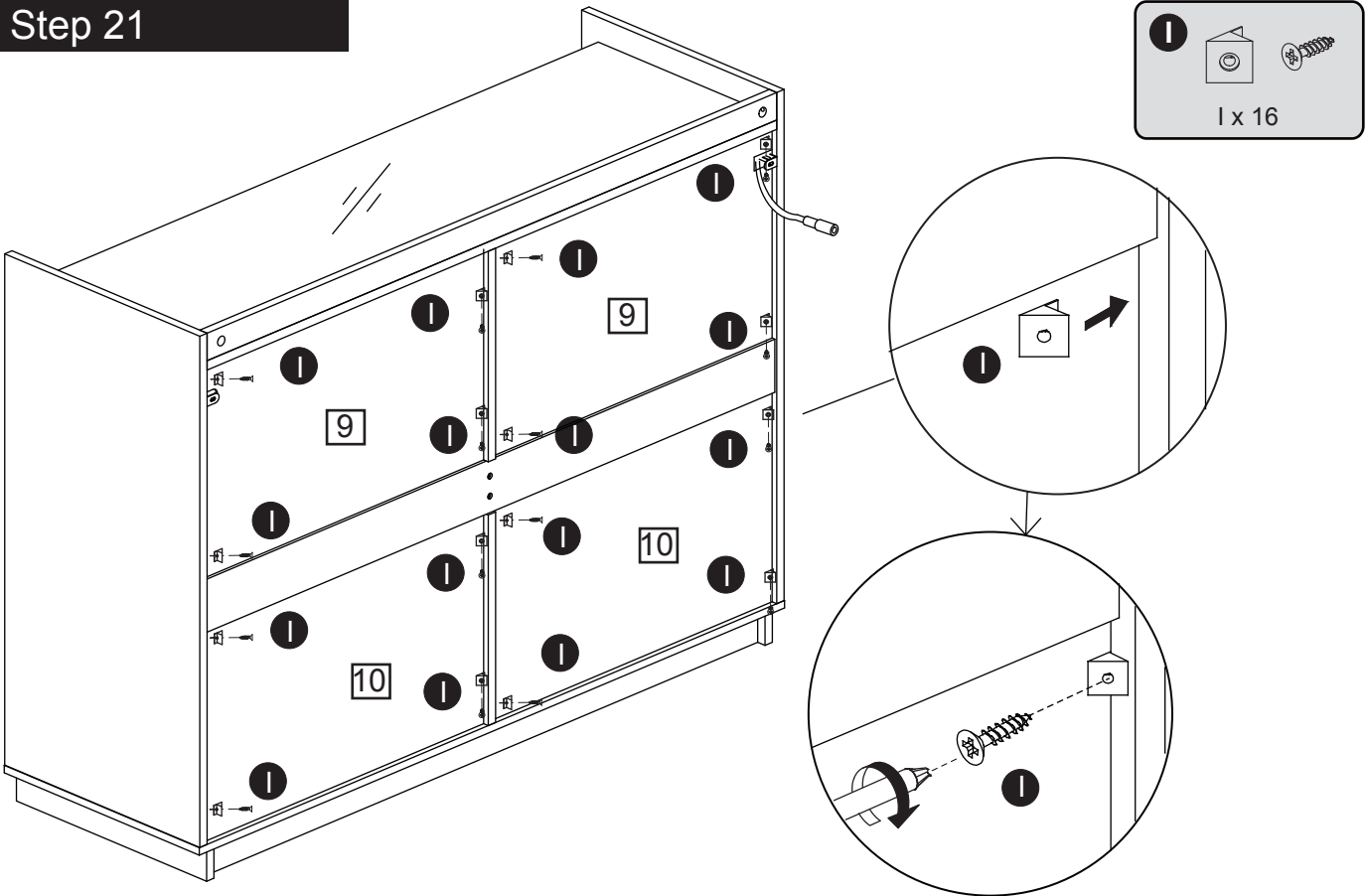
## Step 20



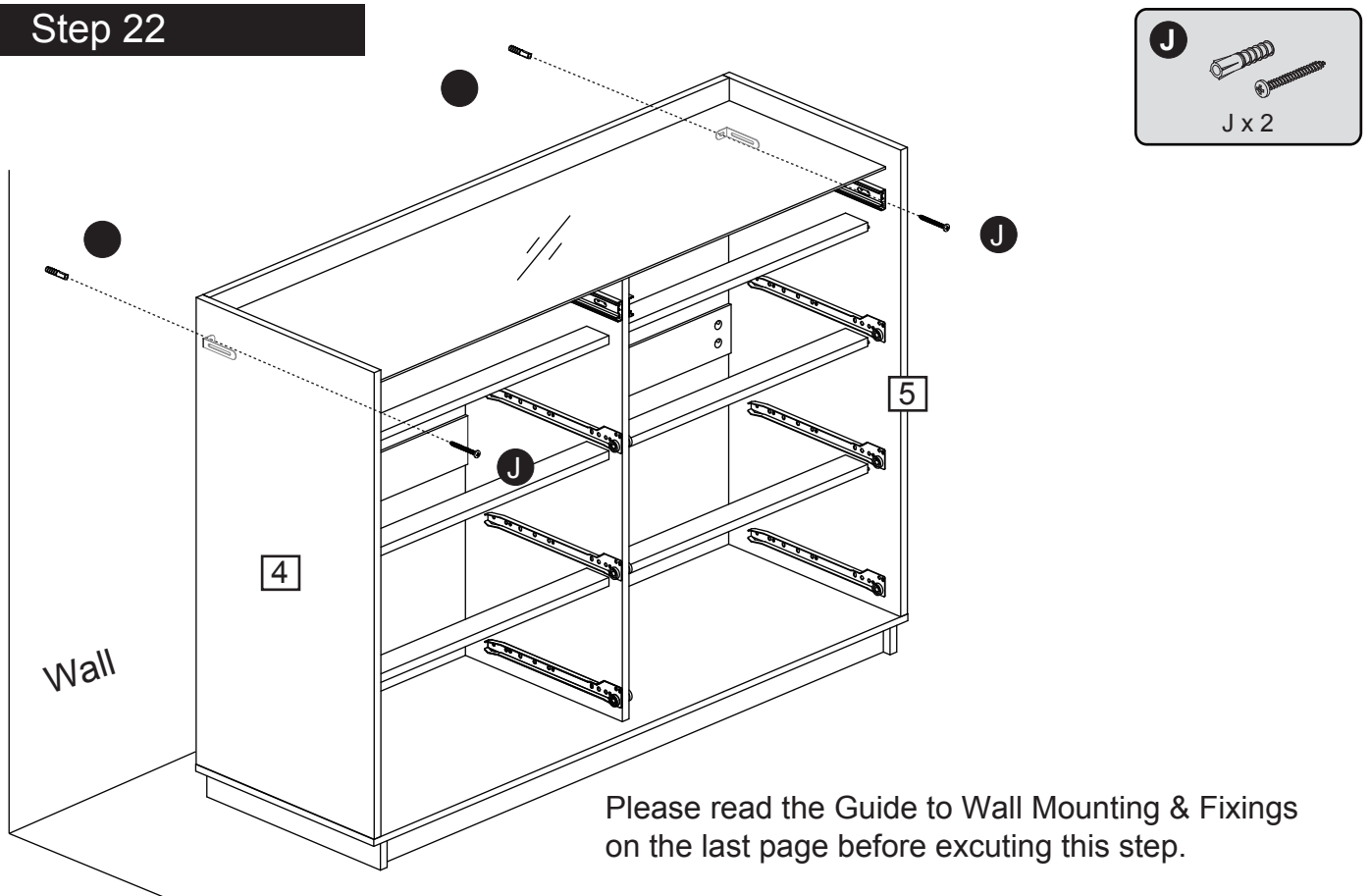
Connect the light strip with the adapter, then control the light with the remote control provided.

# Assembly Instructions

## Step 21

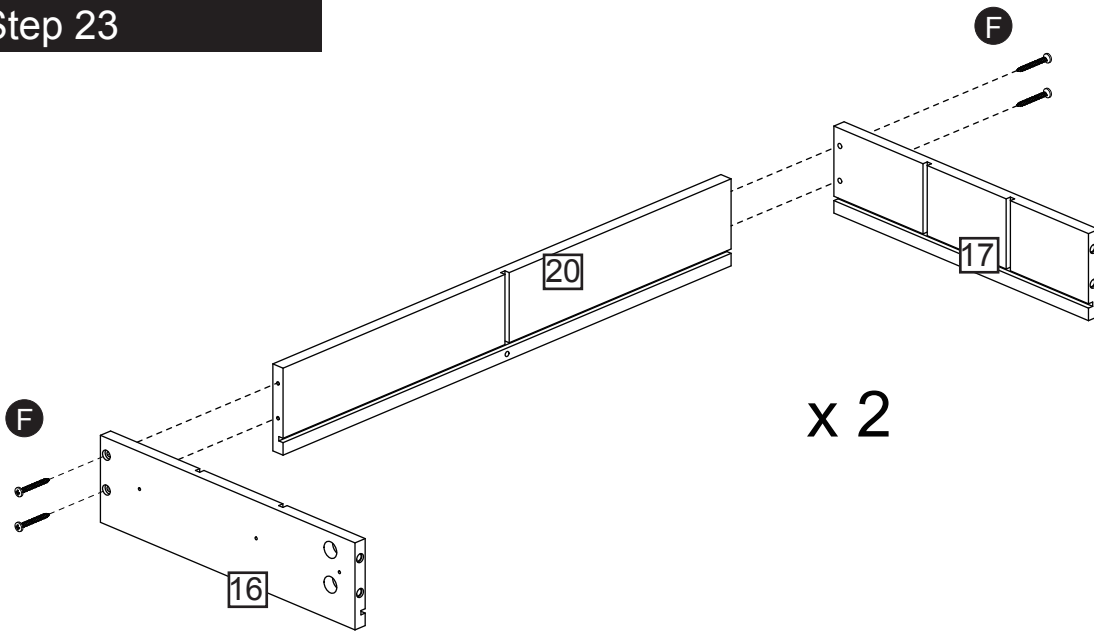
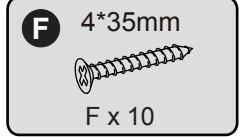


## Step 22

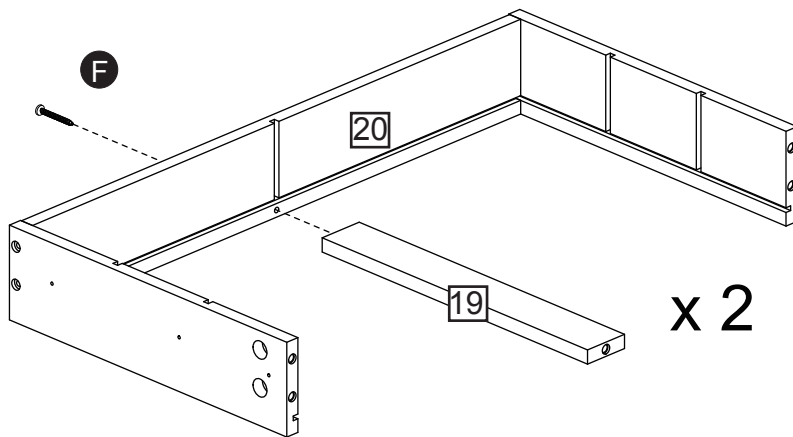


# Assembly Instructions

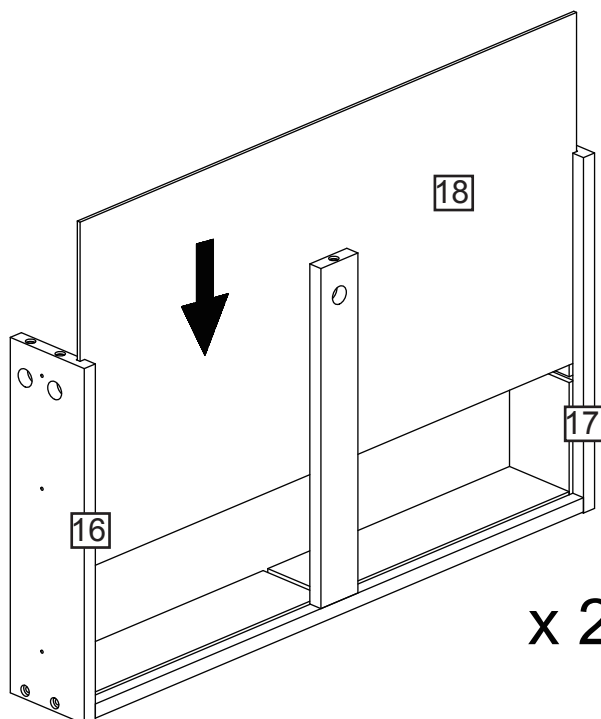
## Step 23



x 2



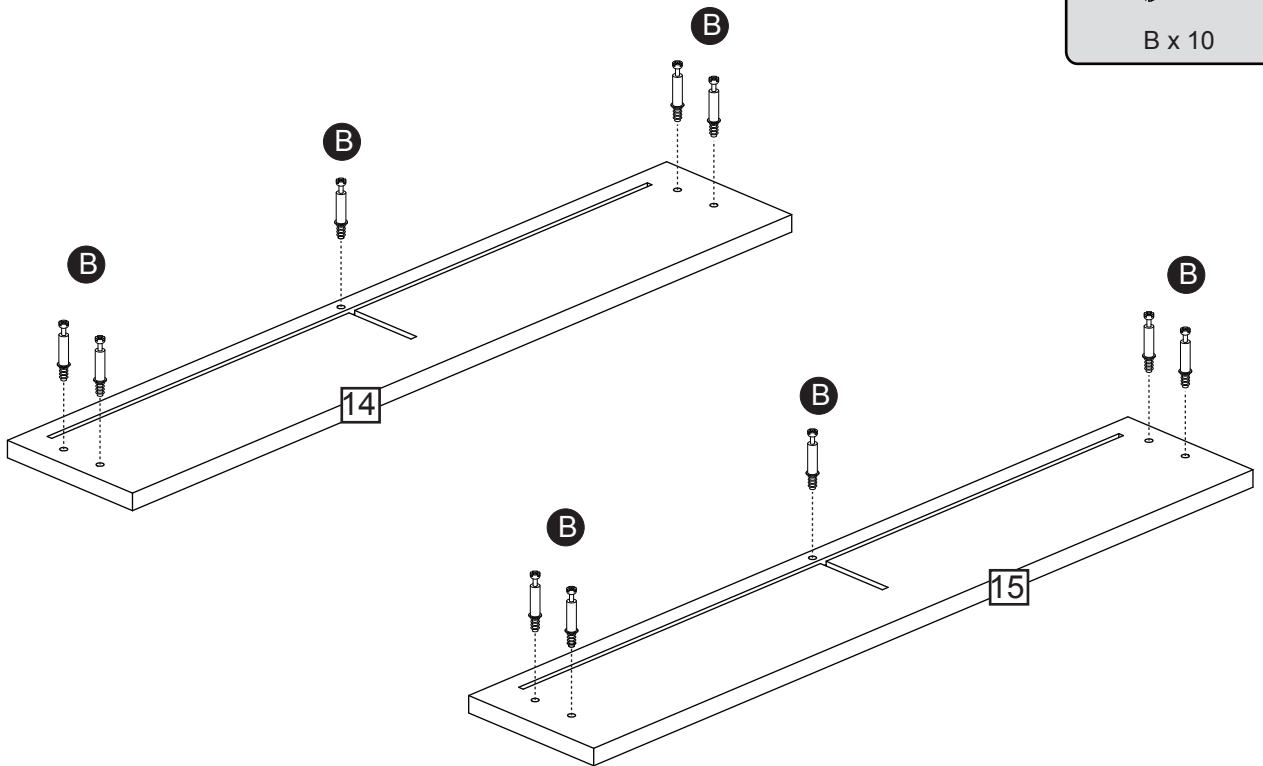
x 2



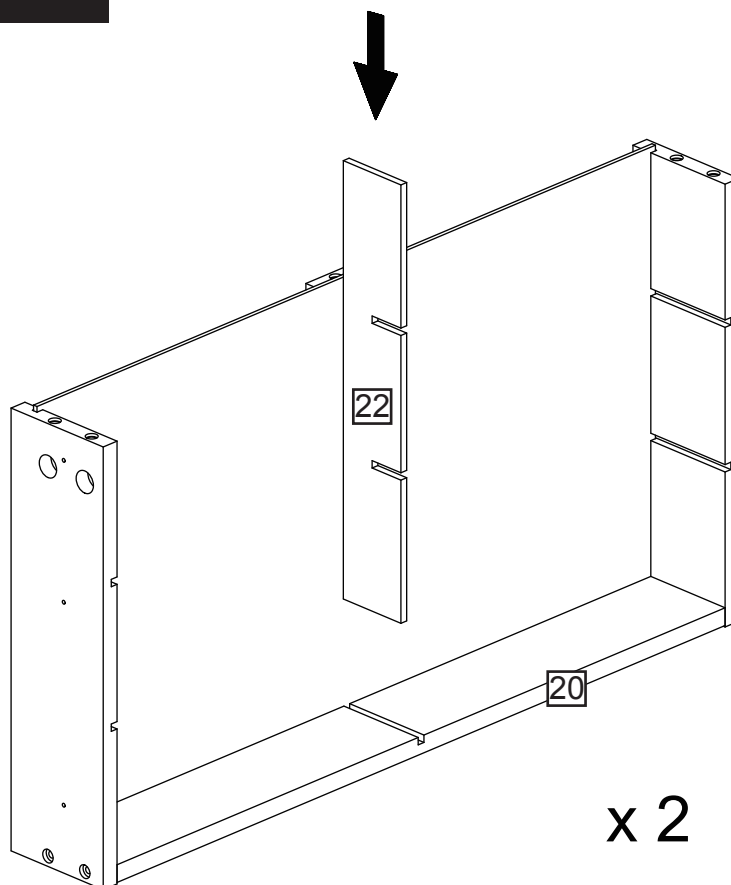
x 2

# Assembly Instructions

## Step 24

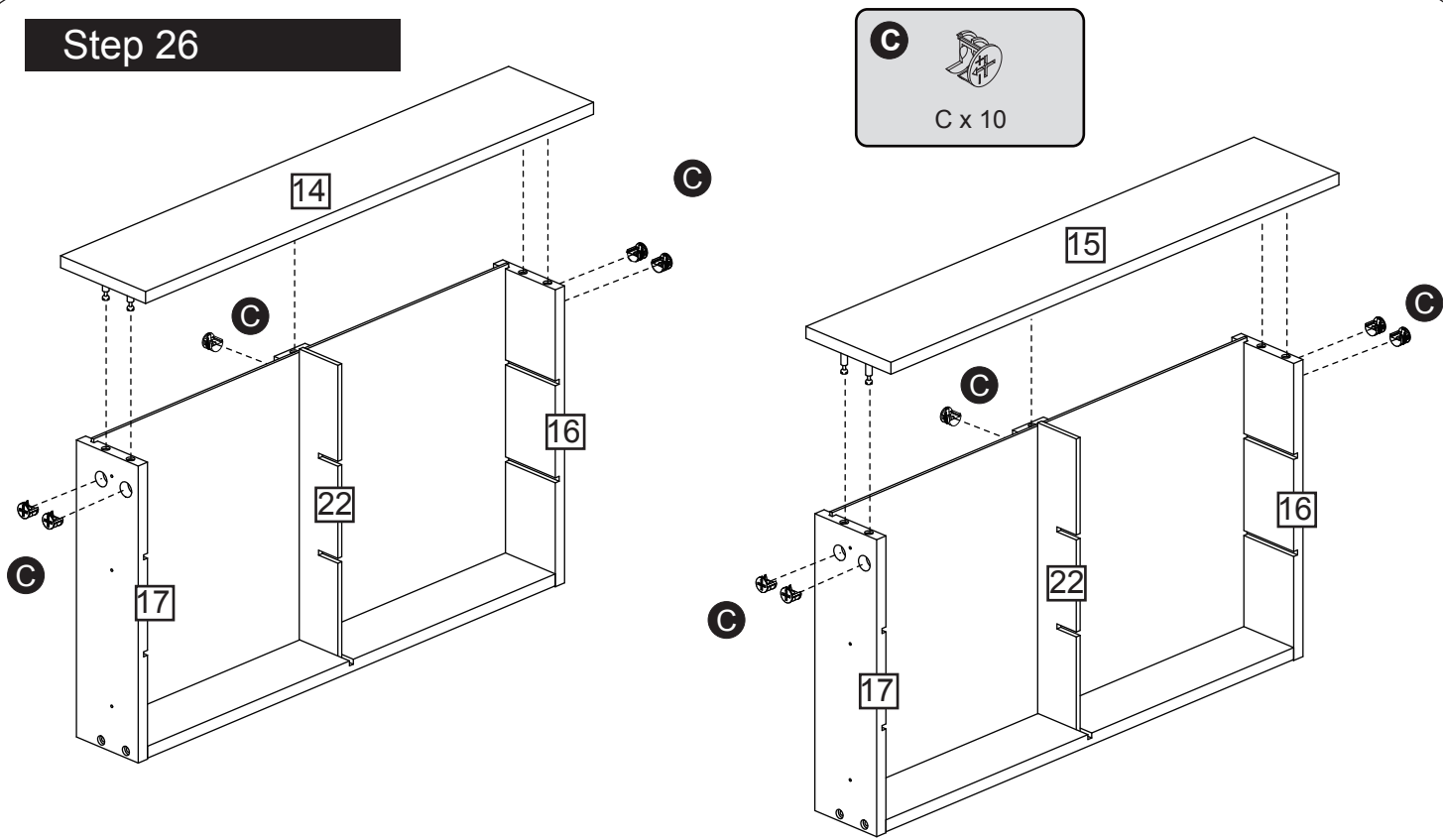


## Step 25

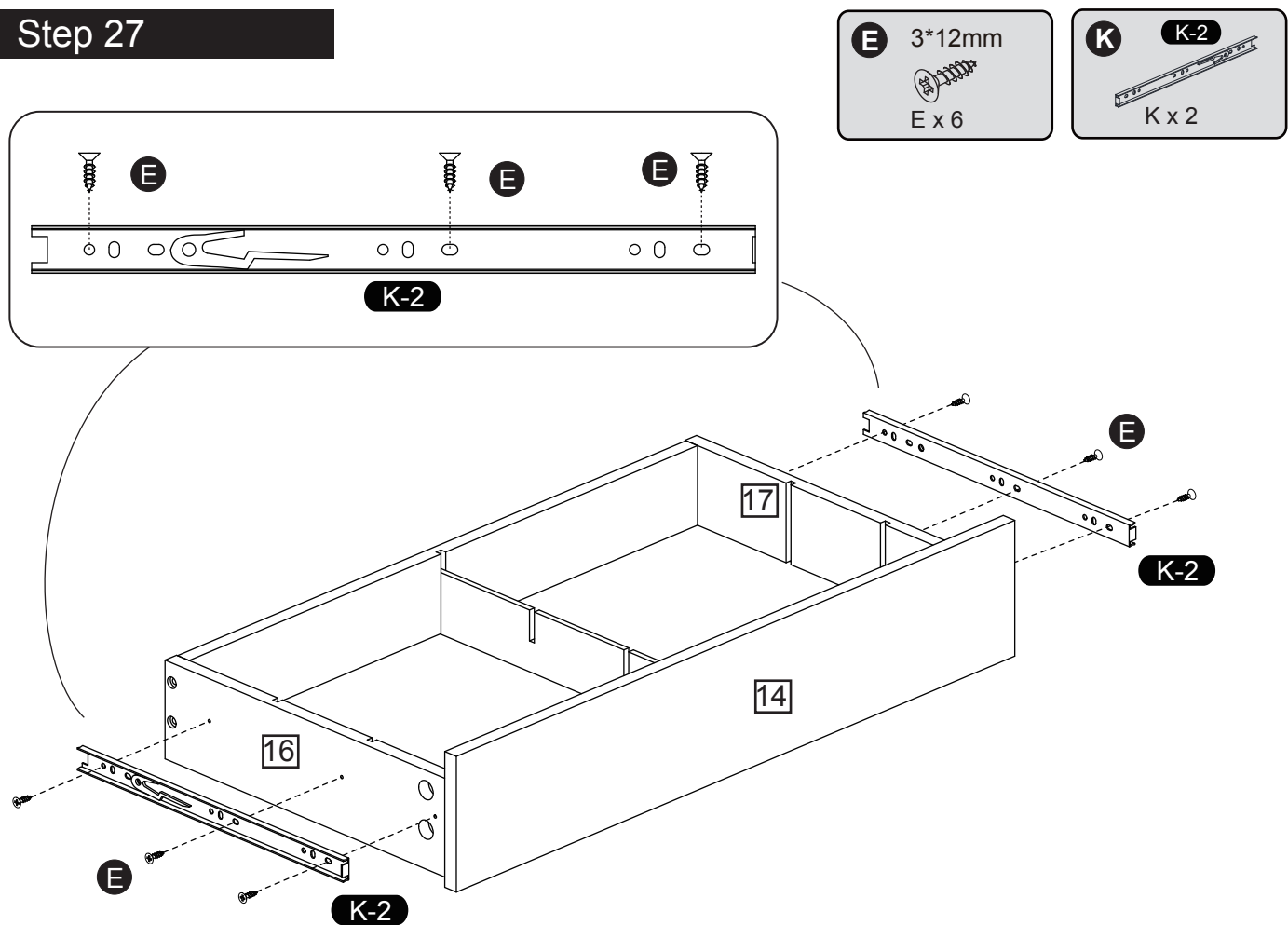


# Assembly Instructions

## Step 26

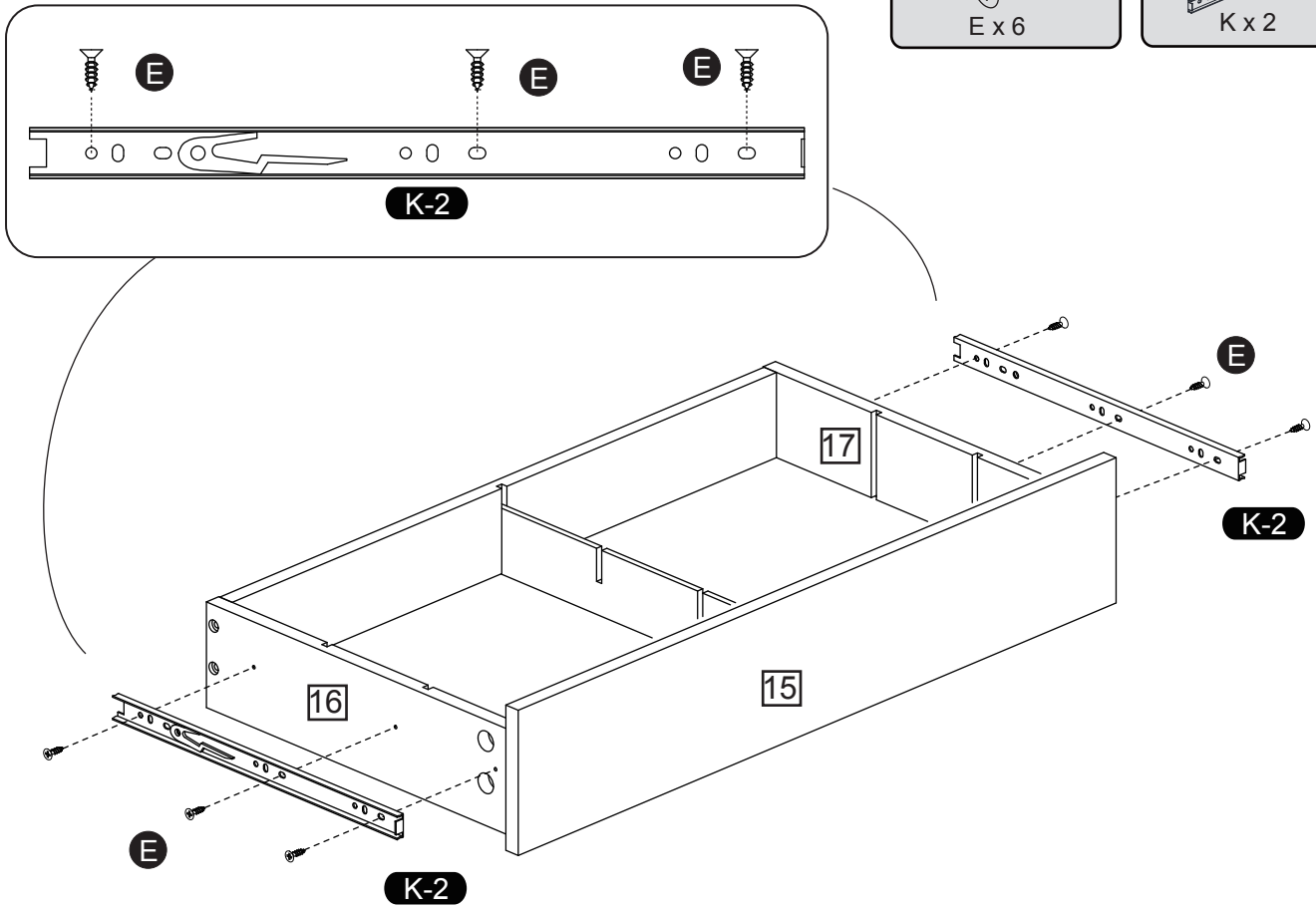
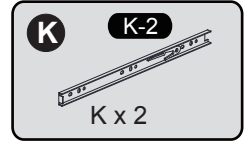
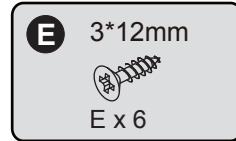


## Step 27

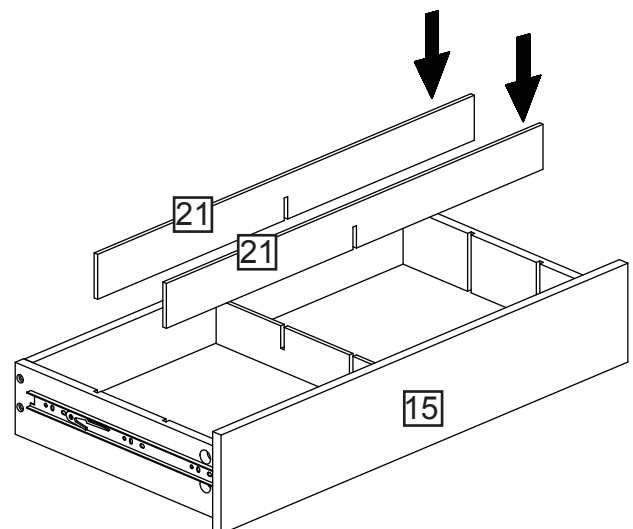
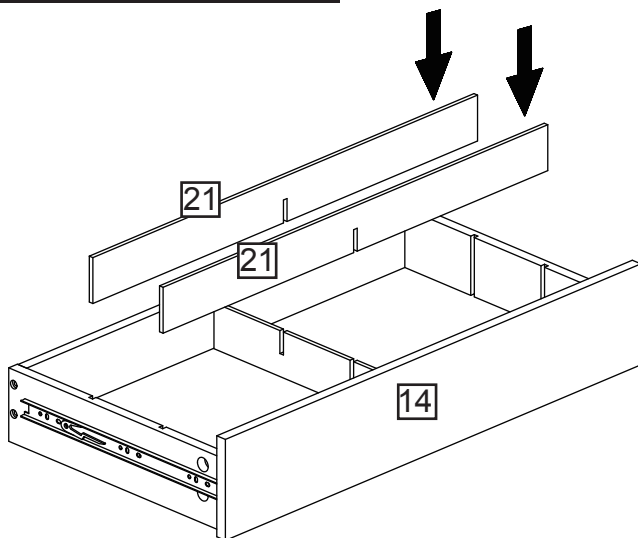


# Assembly Instructions

## Step 28



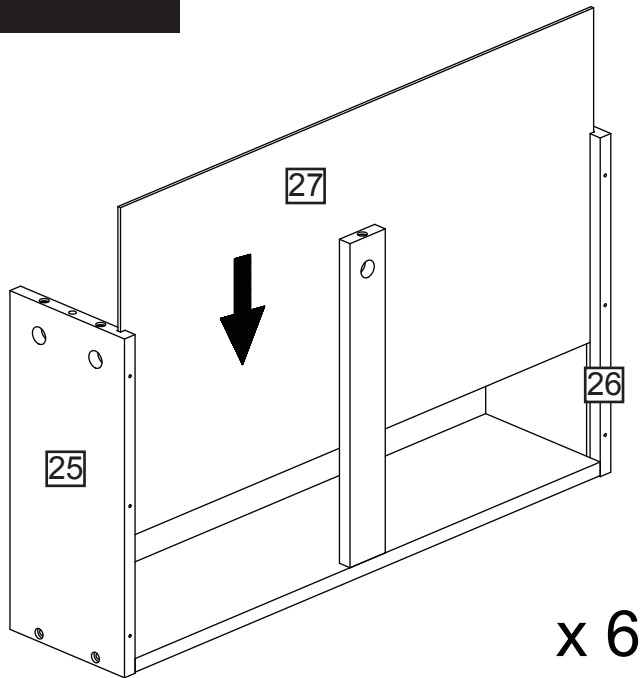
## Step 29





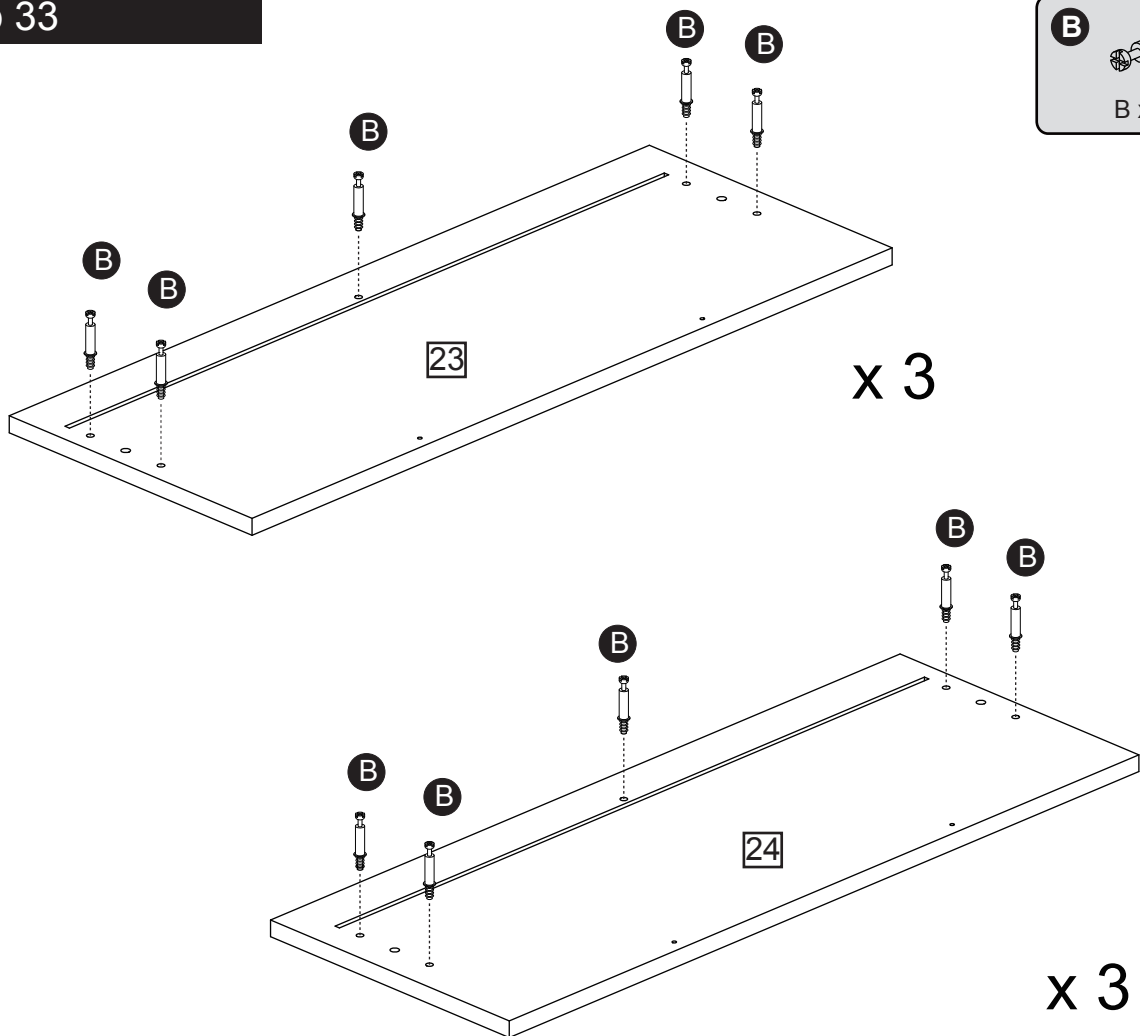
# Assembly Instructions

## Step 32



x 6

## Step 33

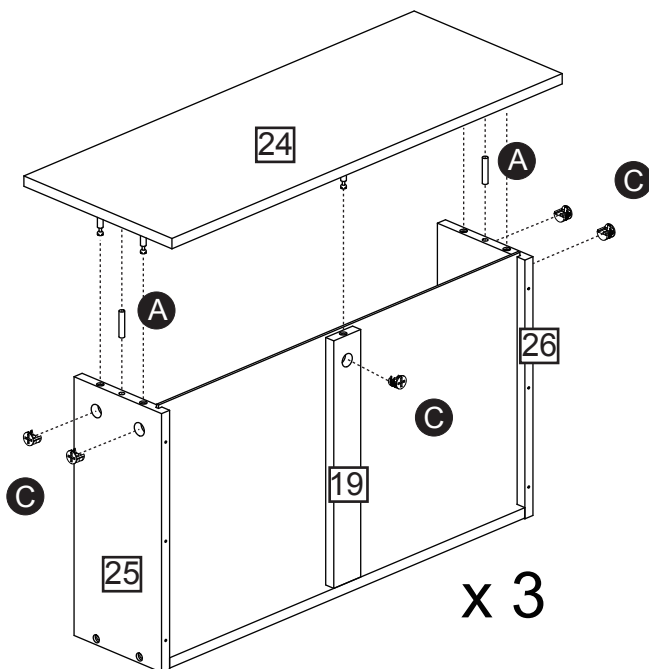
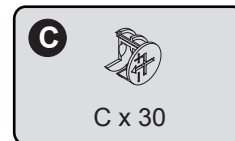
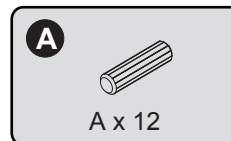
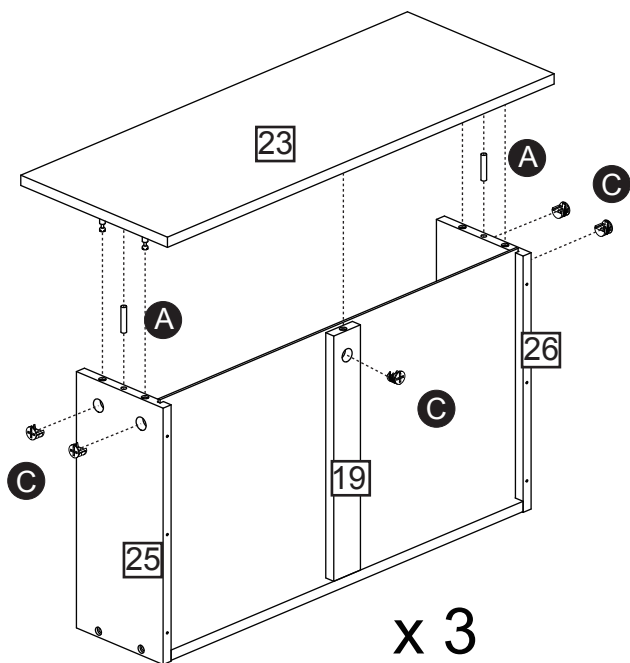


x 3

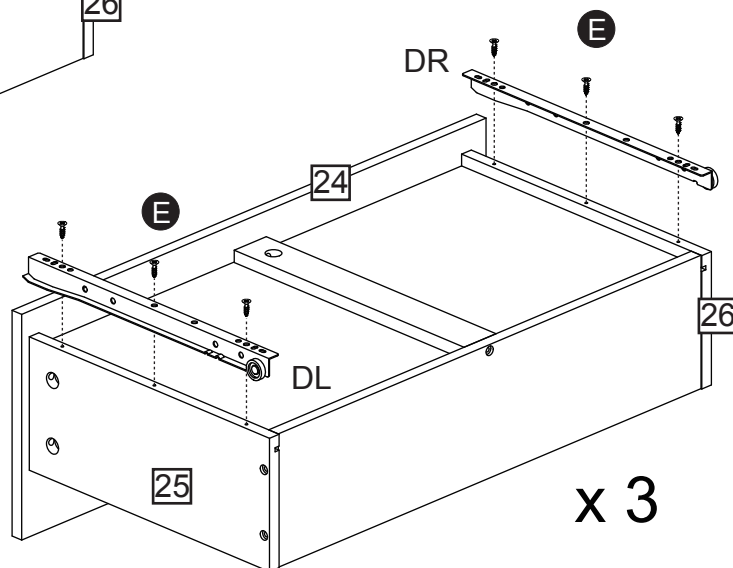
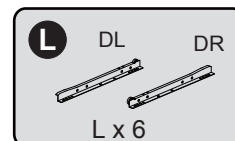
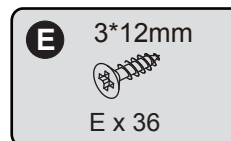
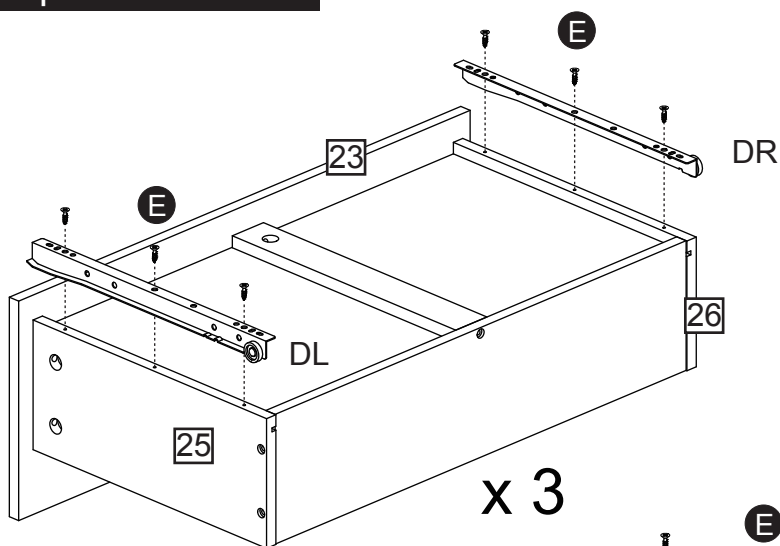
x 3

# Assembly Instructions

## Step 34

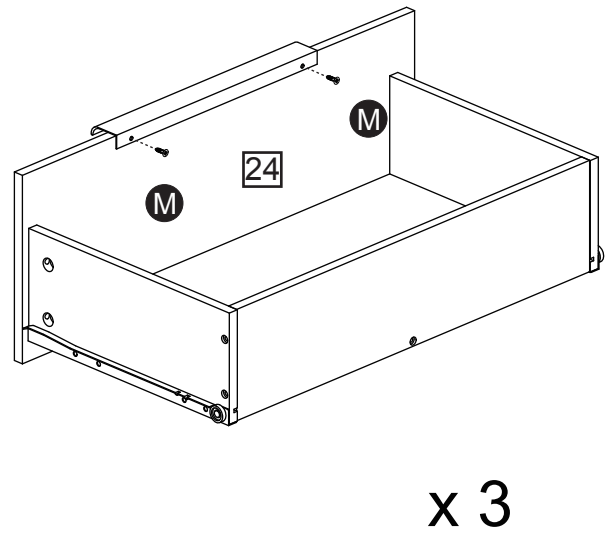
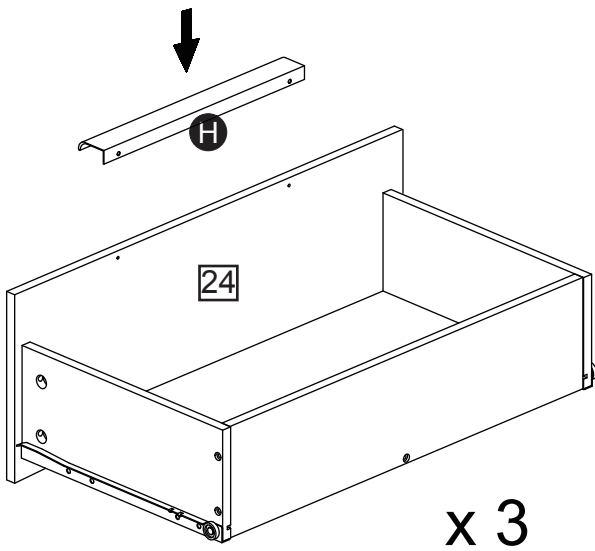
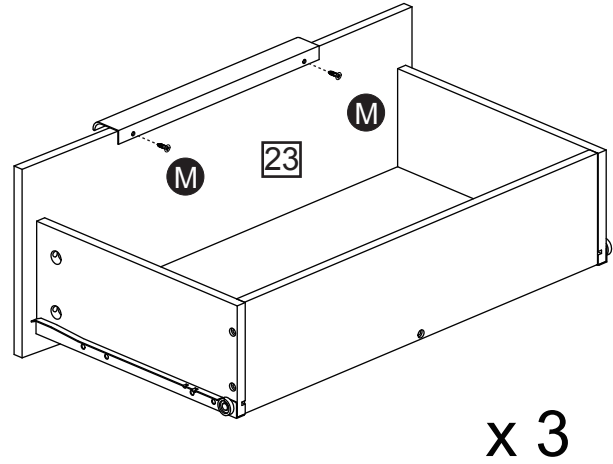
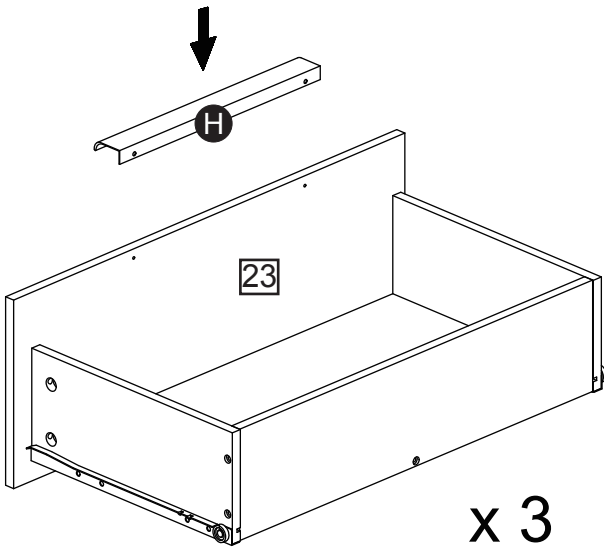
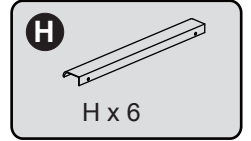
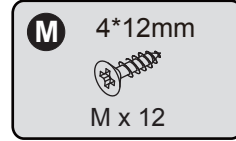


## Step 35



# Assembly Instructions

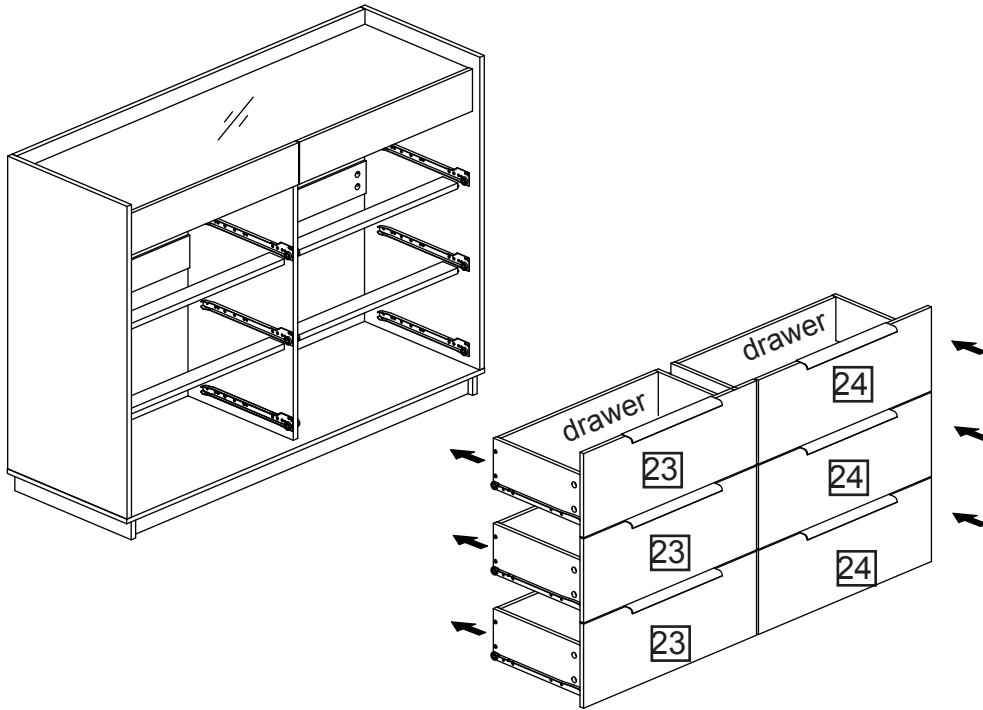
## Step 36



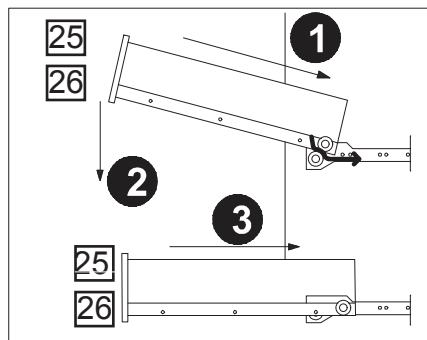
# Assembly Instructions

## Step 37

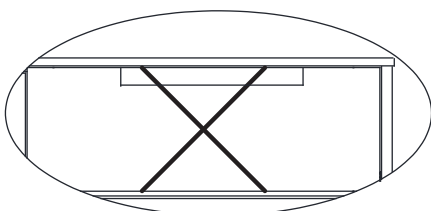
Congratulation! You've made to the last step! But don't be too thrilled yet, put on the drawer can be frustrating if you do it wrong. So, take your time and follow the steps below.



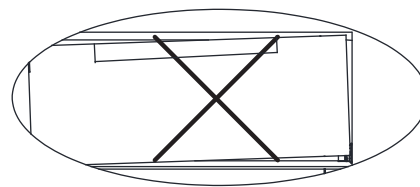
1. Please ensure that you have matched the wheels on BOTH sides of the drawer with the wheels on rails installed BEFORE push in the drawer.



2. If the following occurs, redo the first **two** step.



(both wheel are off the rails)



(one wheel is off the rail)

# A Guide to Wall Mounting & Fixings

## Important note:

If plastic wall plugs (rawl plugs) are supplied with your product, e.g.:



- these are only suitable for use in masonry walls.

If you are in any doubt about the correct wall plugs for your wall, seek professional advice.


Failure of the product due to using the incorrect fixings is the responsibility of the installer.



**Important:** when drilling into walls always check that there are no hidden wires or pipes etc.

Make sure that the screws and wall plugs being used are suitable for **supporting your unit**. **Consult a qualified tradesperson if you are unsure.**

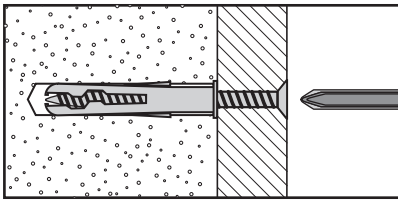
Hints:

- 1: General rule:  always use a larger screw and wall plug if you are not sure.
- 2: Ensure you use the recommended drill bit to match the wall plug and hole size.
- 3: Ensure you drill the hole horizontally; do not force the drill or enlarge the hole.
- 4: Take extra care when drilling high walls, ceilings and ceramic tiles. Ensure wall plugs are inserted beyond the thickness of the ceramic tiles to avoid the tiles splitting or cracking.
- 5: Ensure wall plugs are well fitted and are a tight fit in the drilled hole.

## Types of walls

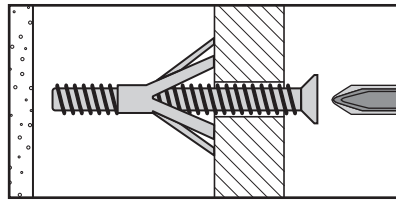
You can use one of the following types of wall plug if your walls are made of brick, breeze block, concrete, stone or wood.

No.1 "General Purpose" wall plug



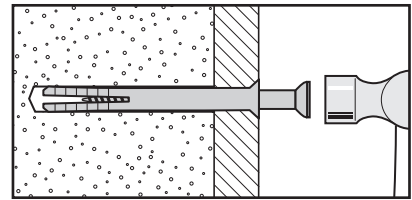
Generally aerated blocks should not be used to support heavy loads, use a specialist fitting in this case. For light loads, general purpose wall plugs can be used.

No.3 "Cavity Fixing" wall plug



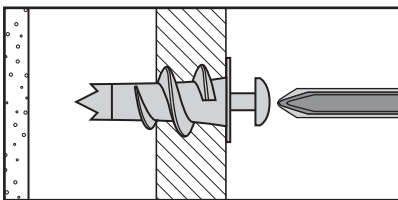
For use with plasterboard partitions or hollow wooden doors.

No.5 "Hammer Fixing" wall plug



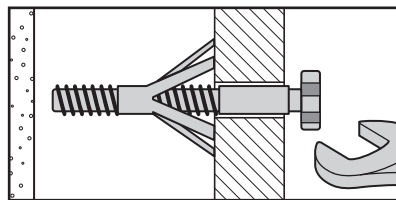
For use with walls stuck with plasterboard. The hammer fixing allows it to be fixed to the wall rather than the plasterboard. Always check the fixing is secure to the retaining wall.

No.2 "Plasterboard" wall plug



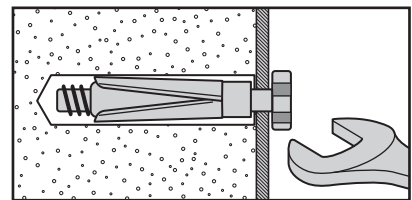
For use when attaching light loads onto plasterboard partitions.

No.4 "Cavity Fixing - Heavy Duty" wall plug



For use when fitting or supporting heavy loads such as shelving, wall cabinets and coat racks.

No.6 "Shield Anchor" wall plug - heavy loads



For use with heavier loads such as TV and HiFi speakers and satellite dishes etc.



## Care & Maintenance

**Safety:** always check the fitting and location to ensure your safety in and around the home.

**Fitting:** from time to time check the fitting to ensure the wall plugs or screws do not become loose.