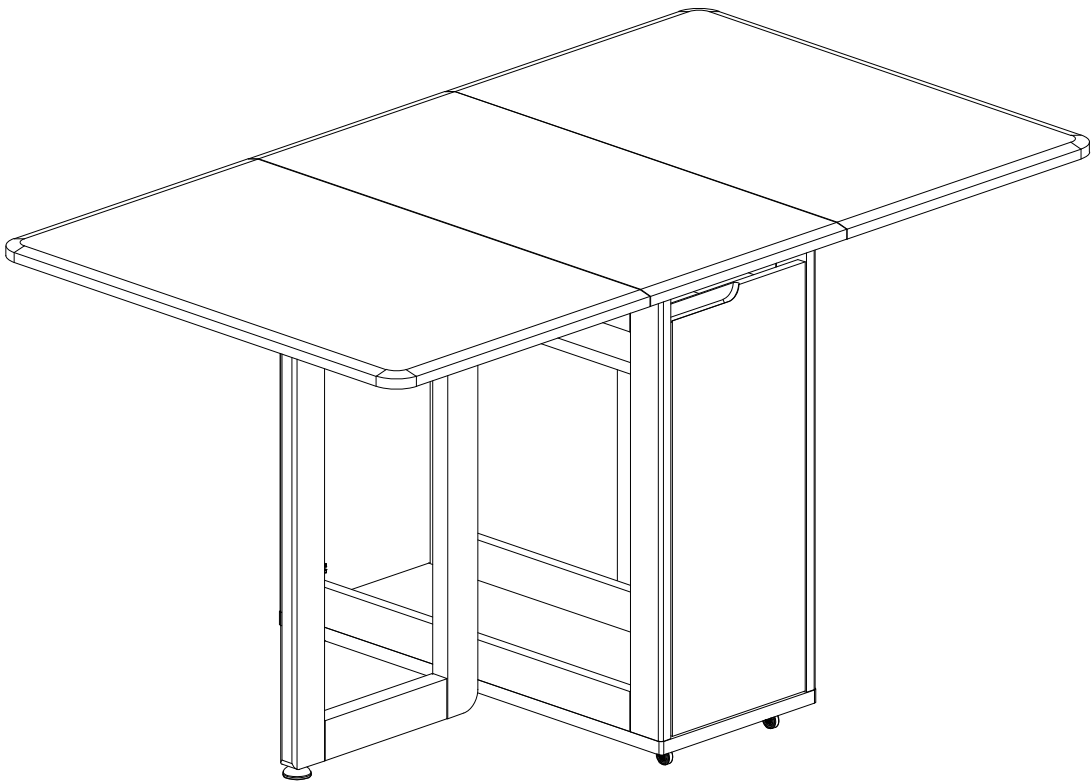


Installation & Assembly



Installation Diagram

Specifications : Folding Dining Table

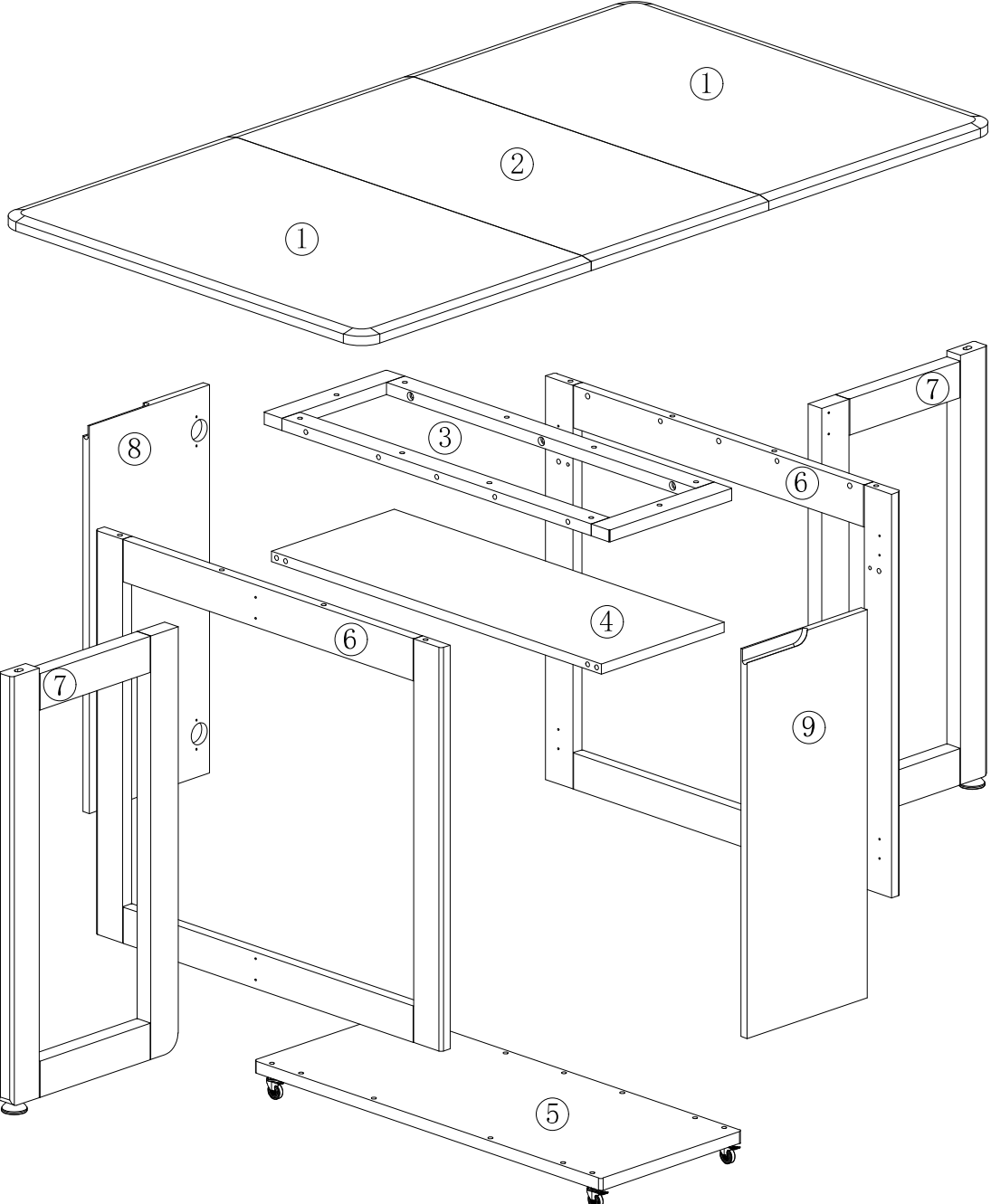
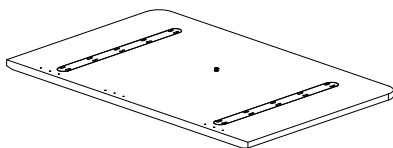
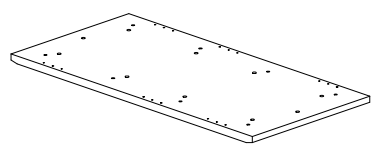
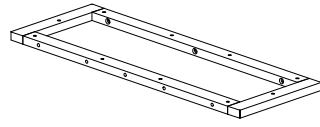
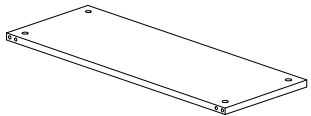
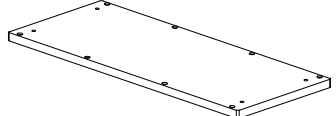
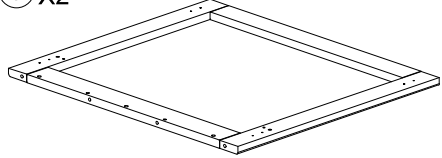
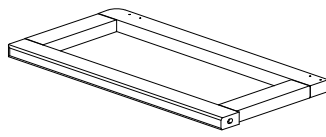
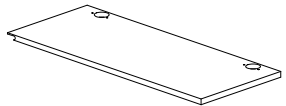
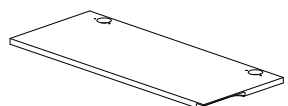
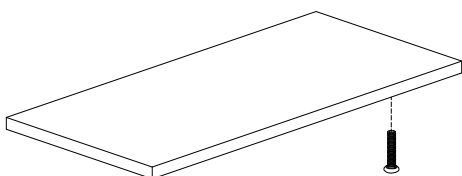


Table of components

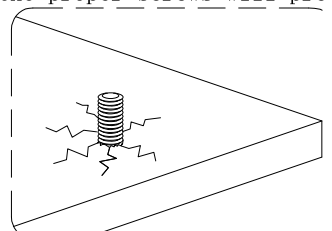
① x2 	② x1 	③ x1 
④ x1 	⑤ x1 	⑥ x2 
⑦ x2 	⑧ x1 	⑨ x1 

Note that

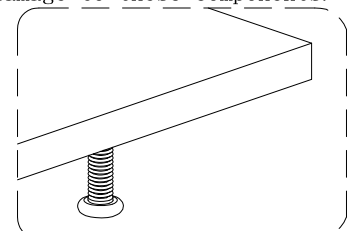
Using the proper screws will prevent damage to these components.



示例



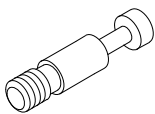

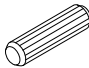
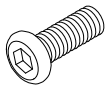
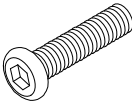
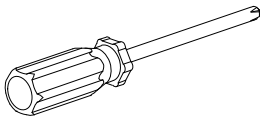


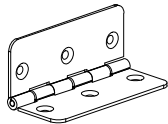
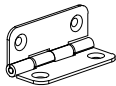









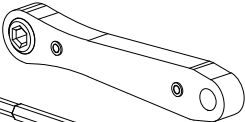
Mistake: Screws can cause the board to split



Correct: screws are the correct size

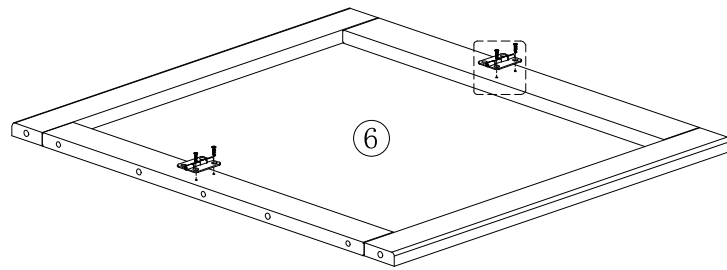
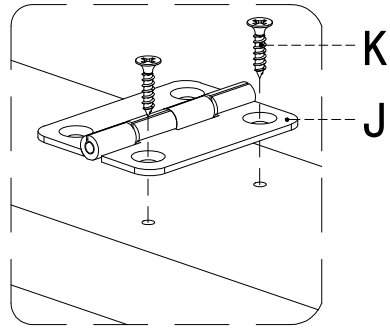
Specifications: **Folding Dining Table**



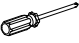
Hardware table

<p>A x4</p>  <p>L=40mm</p>	<p>B x4</p>  <p>Ø15MM</p>	<p>C x22+2</p>  <p>M8*30</p>
<p>D x18+1</p>  <p>M6*35MM</p>	<p>E x6+1</p>  <p>M6*50MM</p>	<p>F x1</p>  <p>M6*128MM</p>
<p>G x24+2</p>  <p>M6*13mm</p>	<p>H x24+2</p>  <p>M6</p>	<p>I x6</p>  <p>76mm long Reinforcement</p>
<p>J x4</p>  <p>52mm long Reinforcement</p>	<p>K x52+6</p>  <p>Ø3.5*16MM</p>	<p>L x4</p>  <p>Ø35835 Big Bend Short Arm (without cushion)</p>
<p>M x16+2</p>  <p>Ø3.5*14MM</p>	<p>N x2</p>  <p>Screw M6*12MM*1inch Total height 43MM(with brake)</p>	<p>O x2</p>  <p>M6*12MM*1 inch screw rod 43mm high(without brake)</p>
<p>P x2</p>  <p>M8*Ø40MM*Tooth length 22mm</p>	<p>Q x1</p>  <p>Opening14MM</p>	<p>R x1</p>  <p>M4*57</p>
<p>S x2</p>  <p>Ø10*3MM</p>	<p>T x1</p>  <p>M4</p>	

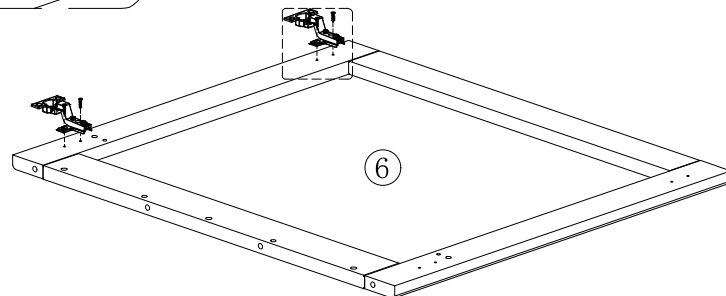
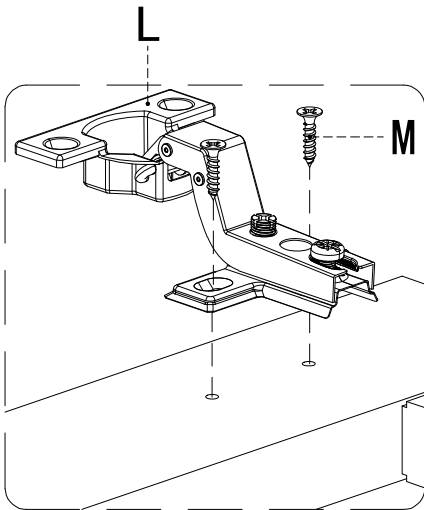
Specifications: Folding Dining Table



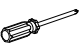
Step1



J		X4
K		X8
F		X1

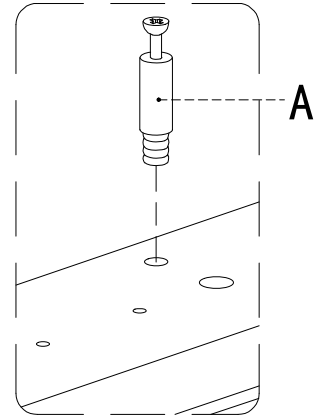
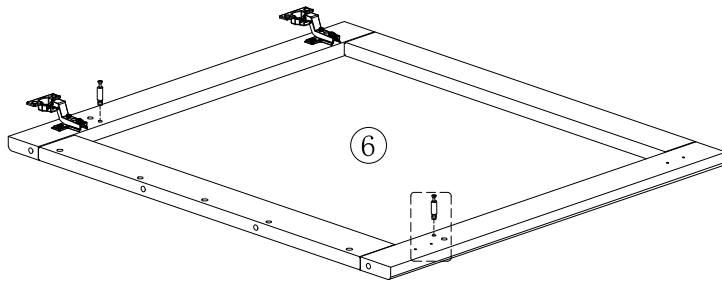
Step2

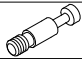
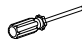


L		X4
M		X8
F		X1


Specifications: Folding Dining Table

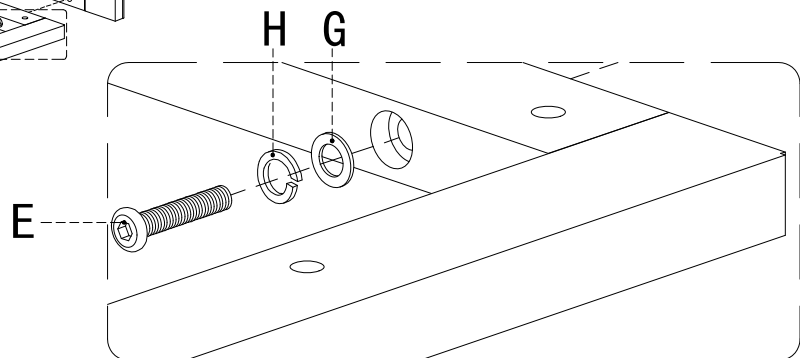
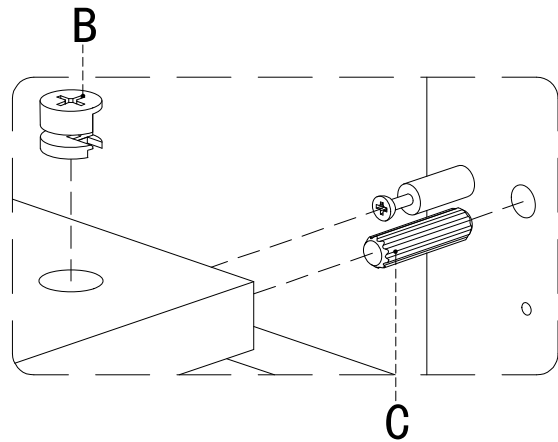
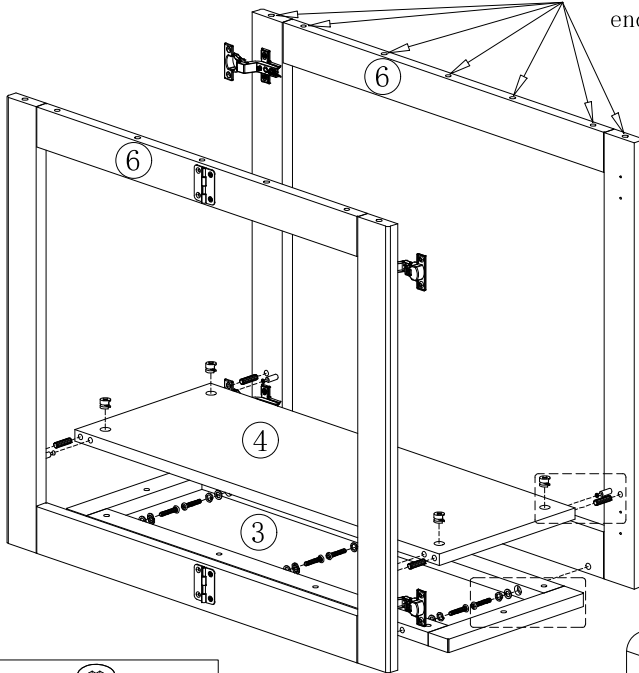
Step3










A		X4
F		X1

Step4

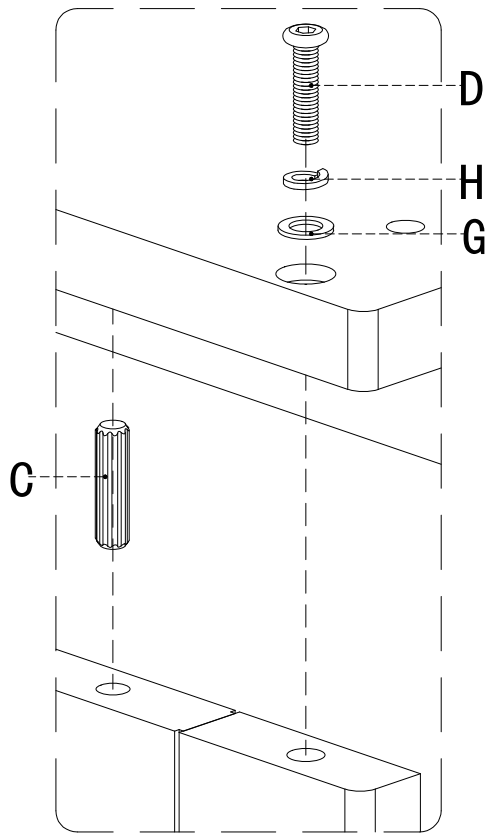
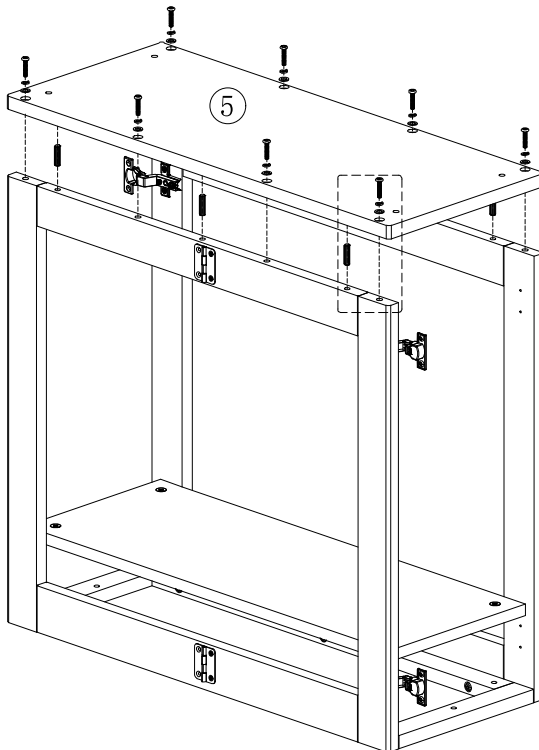
 Note the 7 holes on the end face



B		X4	
C		X8	
E		X6	
G		X6	F  X1
H		X6	R  X1

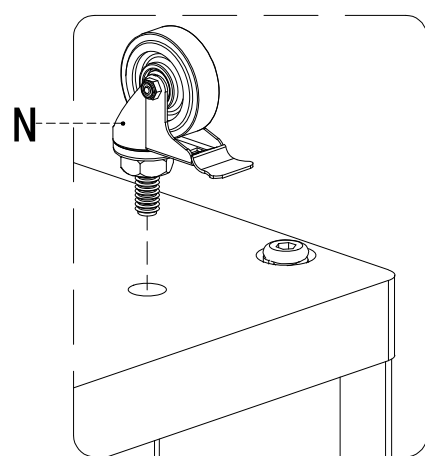
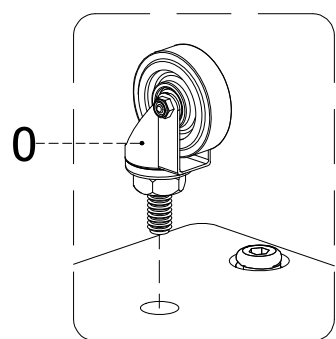
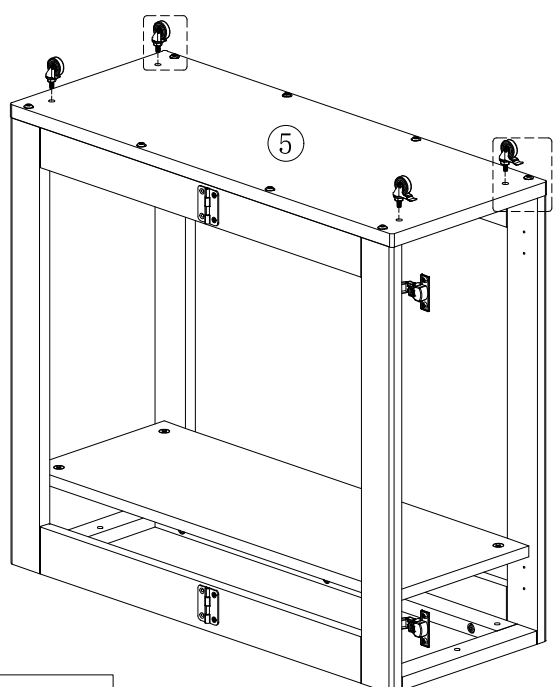
Specifications: Folding Dining Table

Step5



C		X6
D		X8
G		X8
H		X8
R		X1

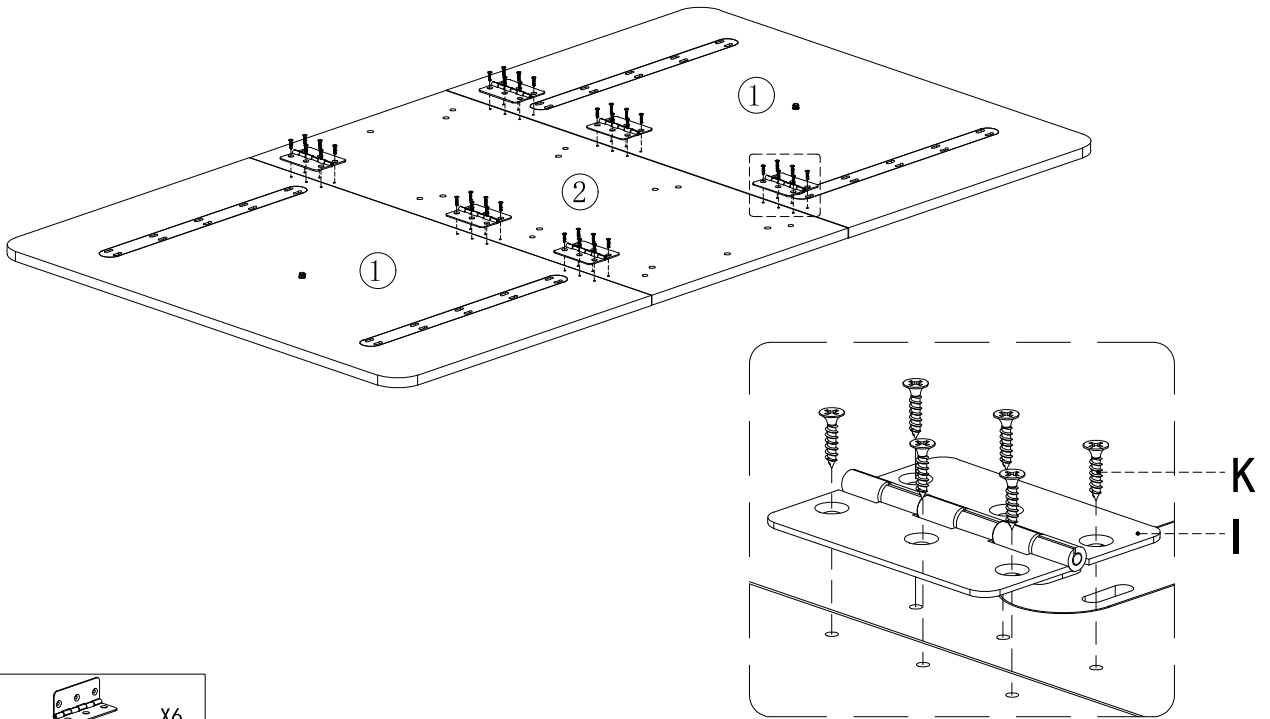
Step6



N		X2
O		X2
Q		X1

Specifications: Folding Dining Table

Step7

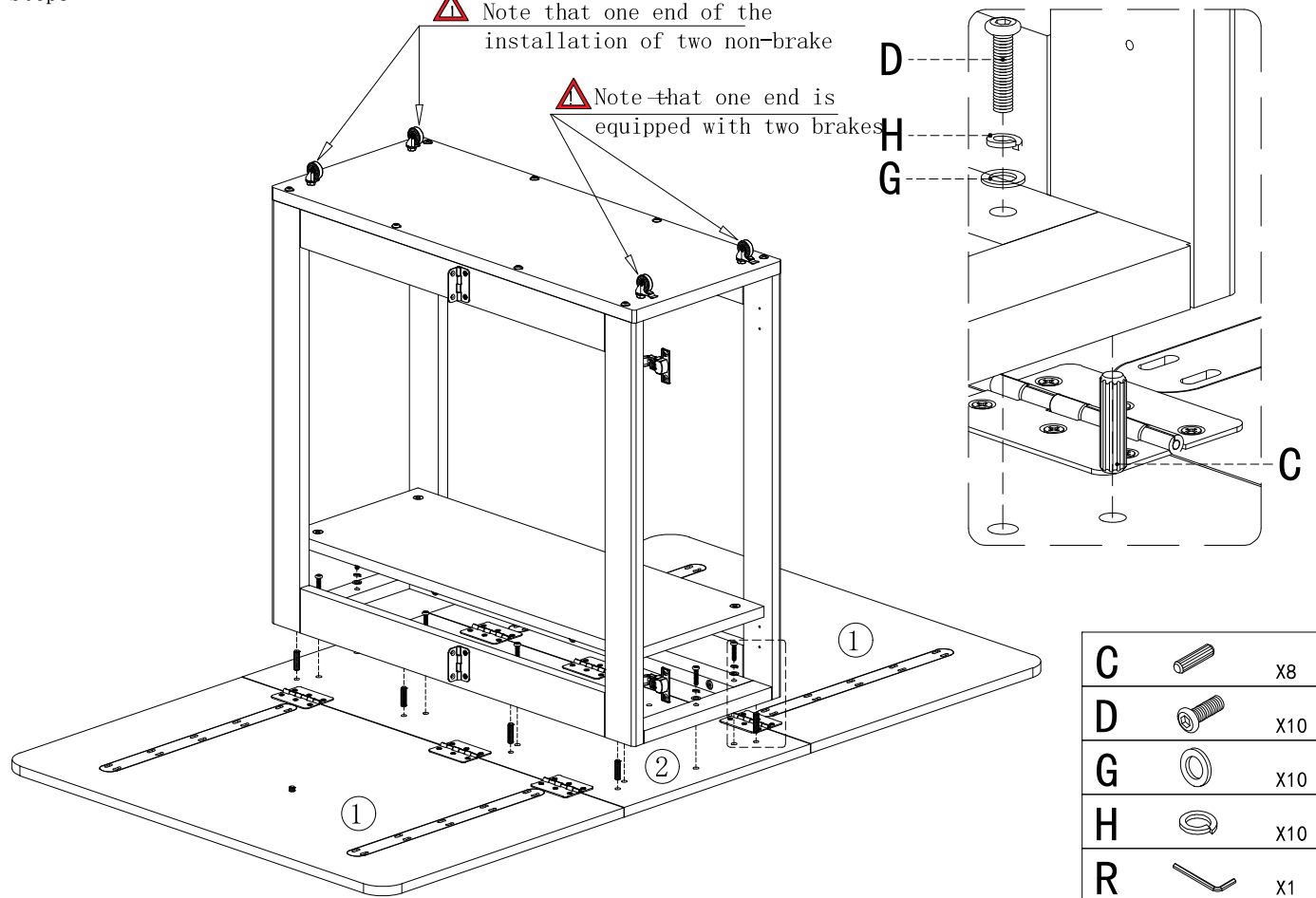


I		X6
K		X36
F		X1

Step8

Note that one end of the installation of two non-brake


Note that one end is equipped with two brakes

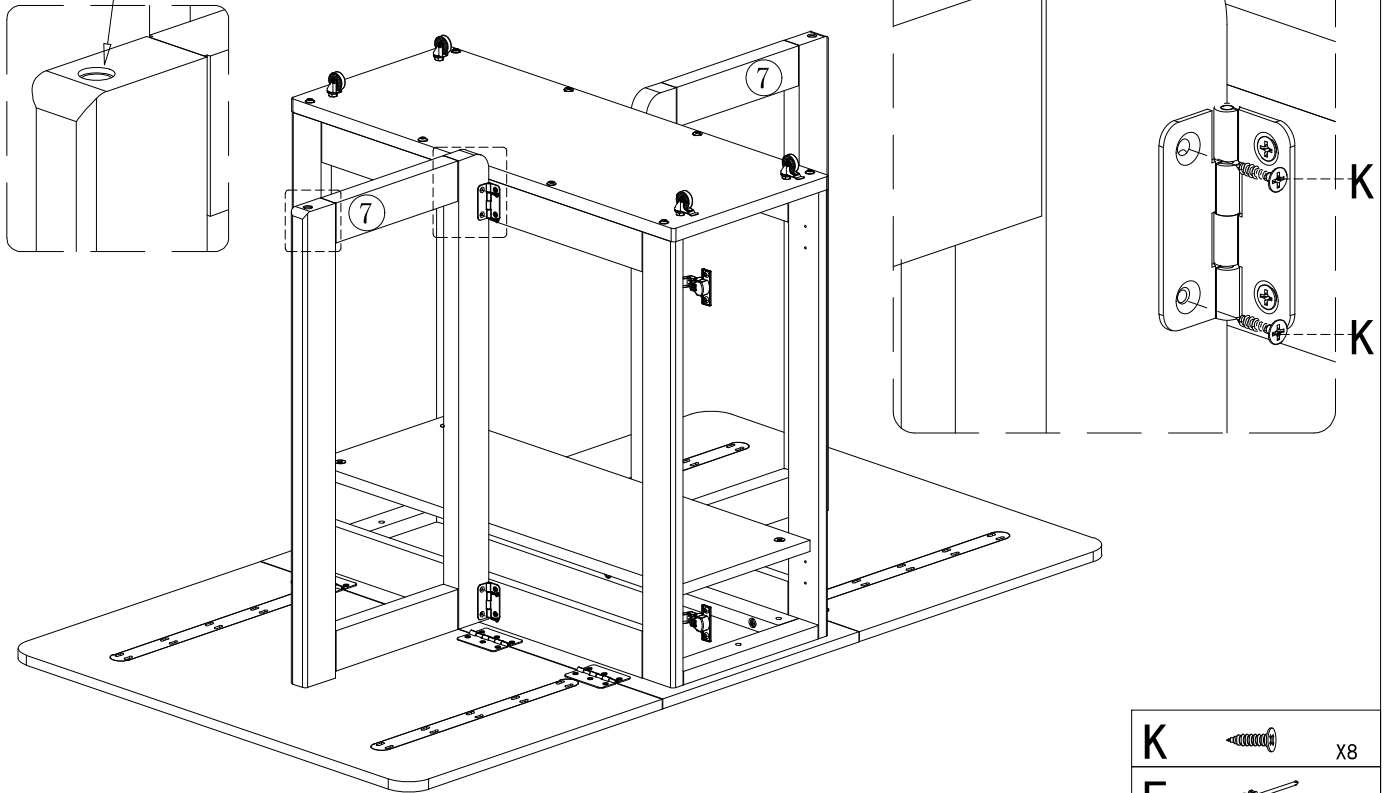



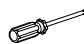
C		X8
D		X10
G		X10
H		X10
R		X1

Specifications: Folding Dining Table

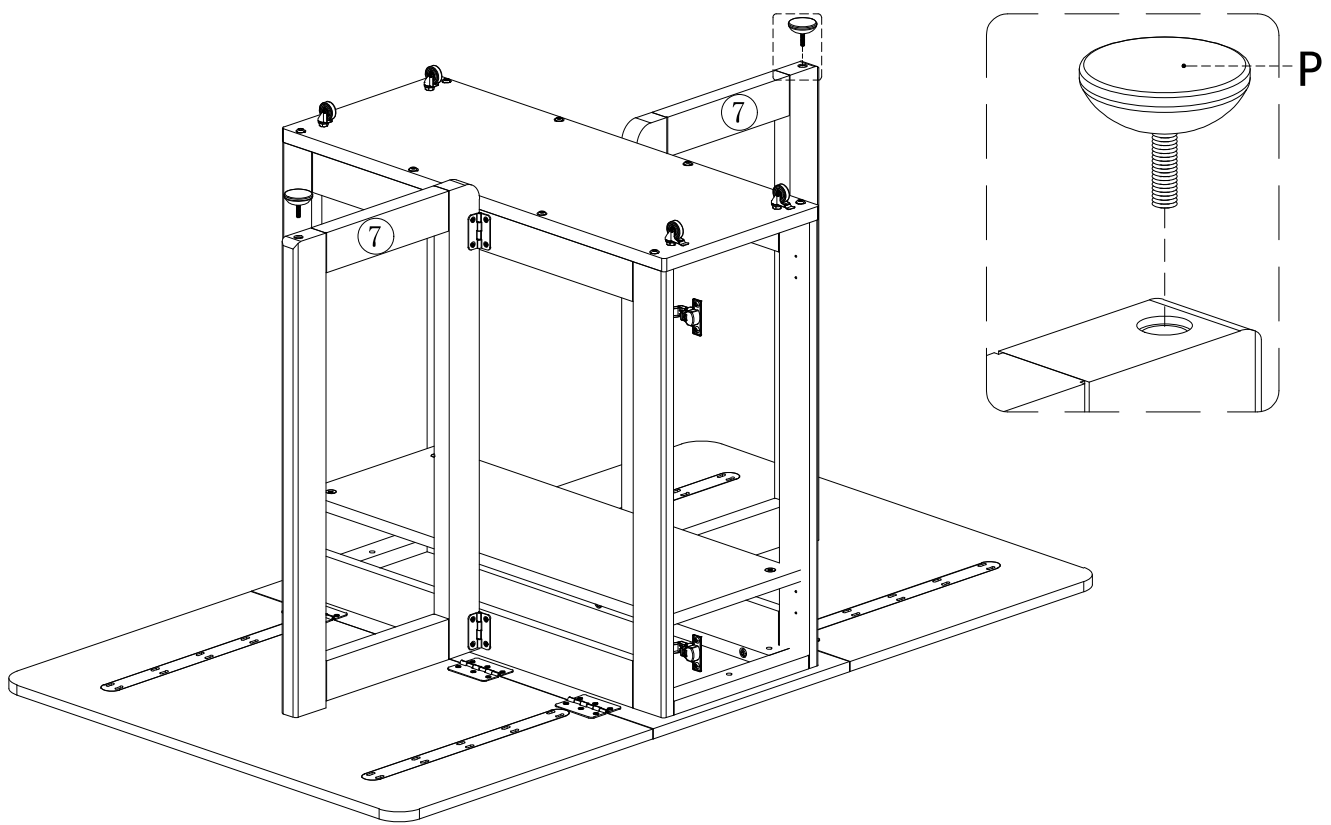
Step9


 Note the holes in this section.



K		X8
F		X1

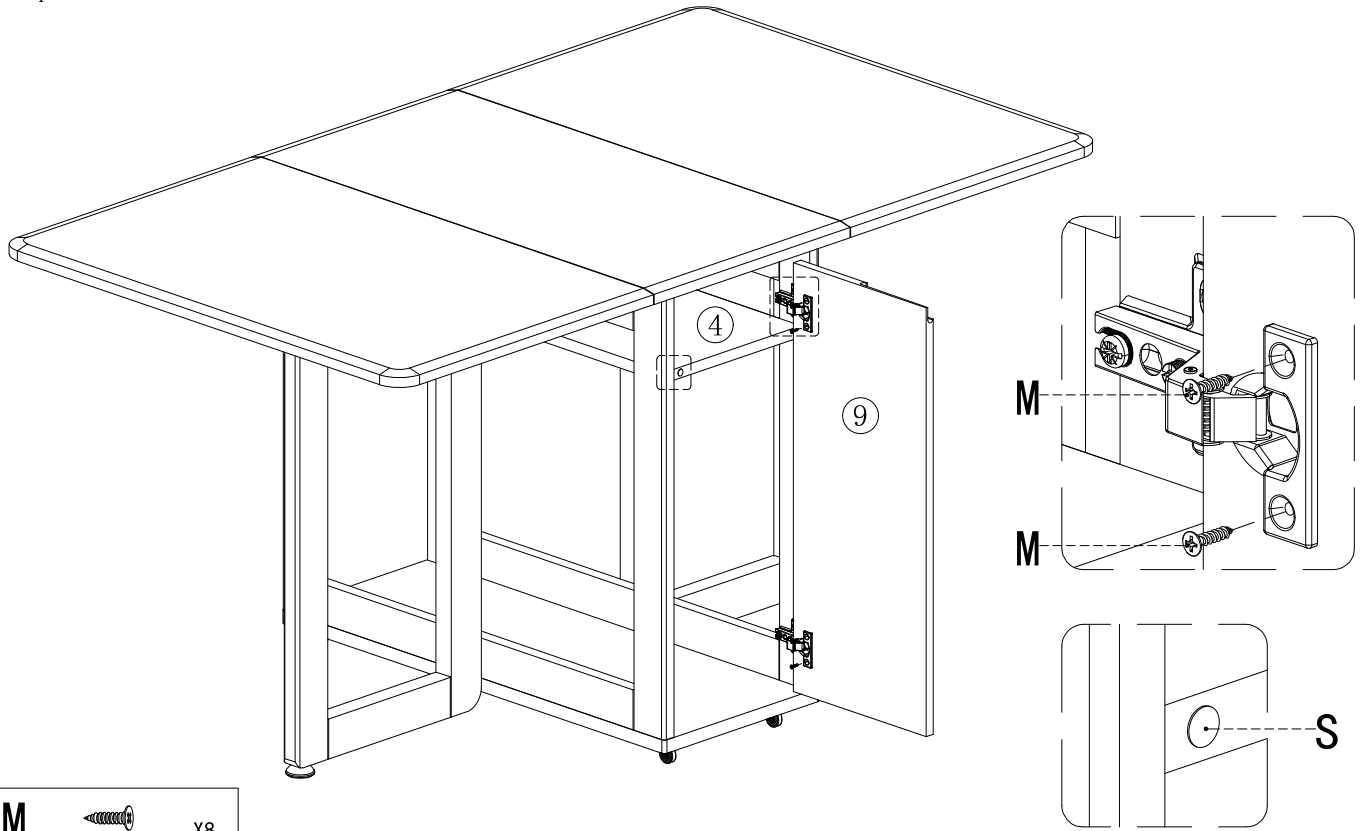
Step10






P		X2
----------	---	----

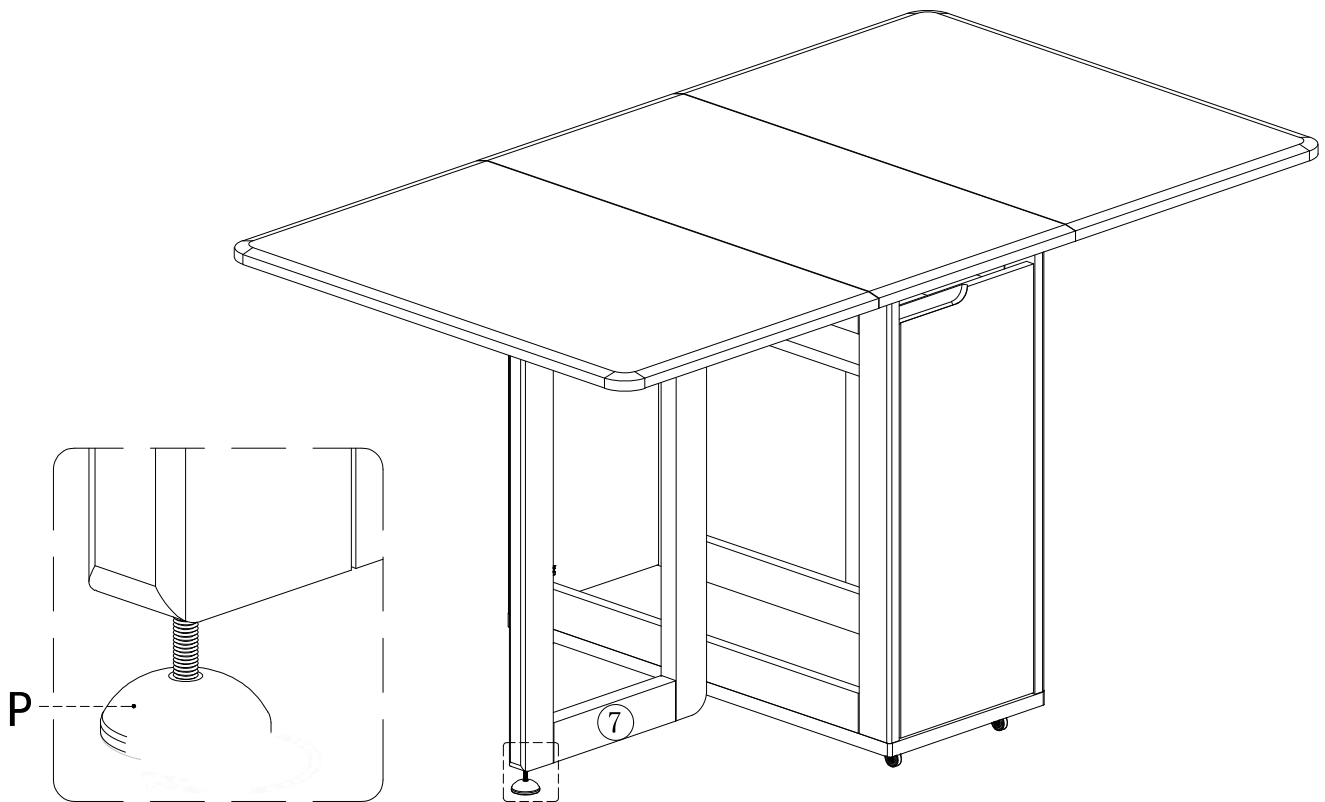
Specifications: Folding Dining Table

Step11



M		X8
F		X1
S		X2

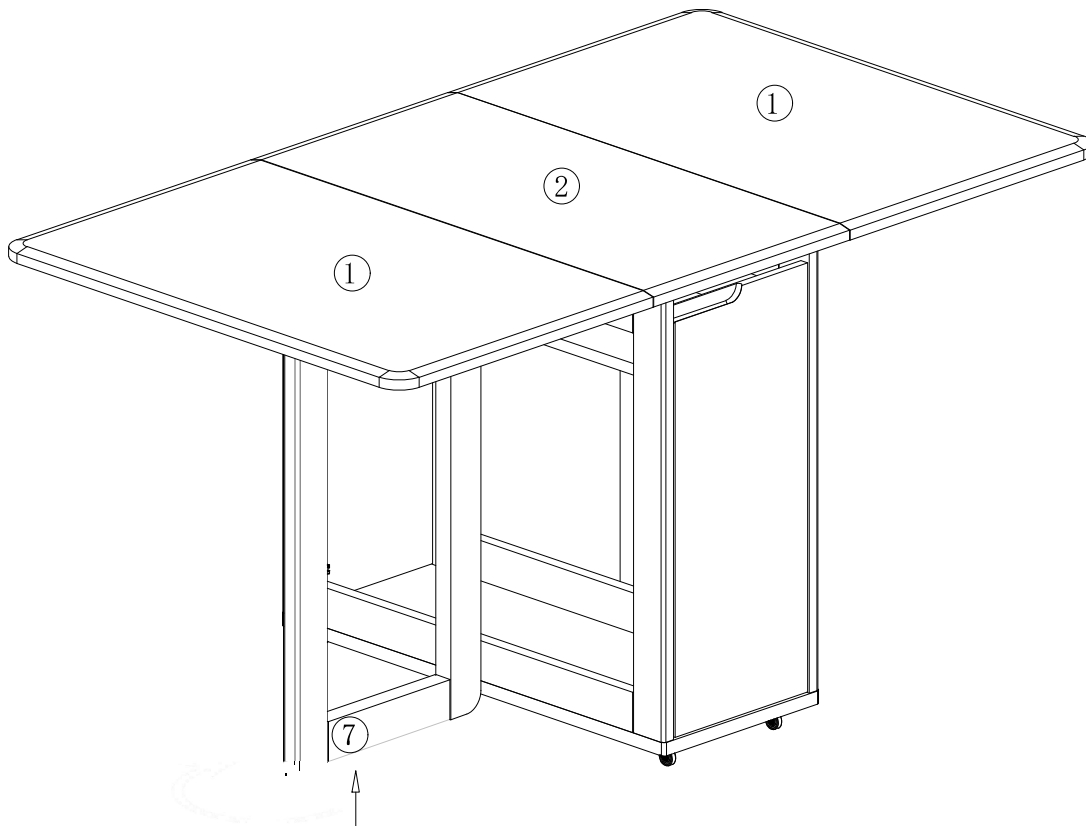
Step12




 Adjust the height of the footrests to stabilize the table.

Specifications :

Step13



 Swivel the legs on both sides to support the top, or to lower the top.

