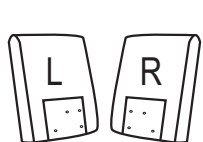
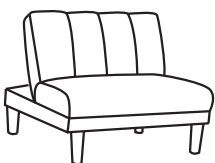


ASSEMBLY INSTRUCTION



AX2



Bx2



Cx12



Dx12



Ex1



Fx10

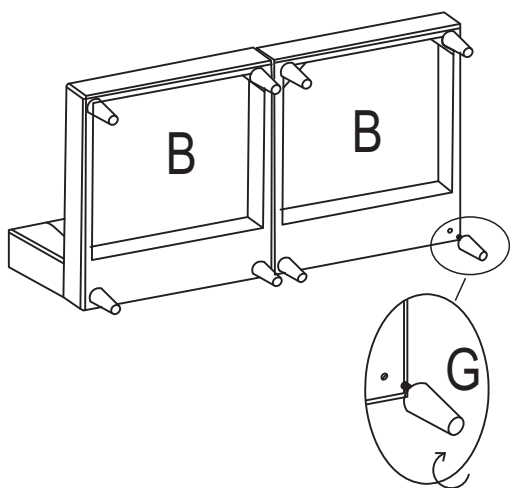


Gx8

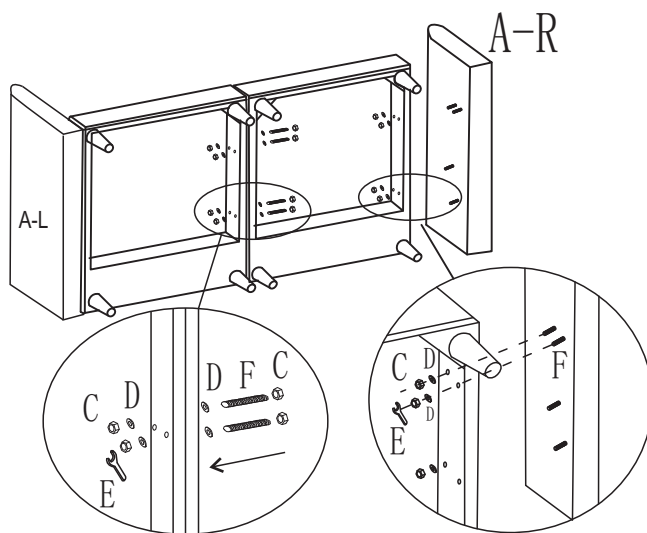


Hx2

STEP 1



STEP 2



STEP 3

