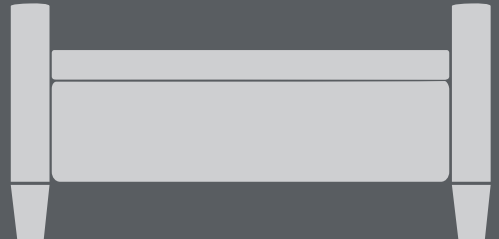


■ ■ Ottoman

ASSEMBLY
INSTRUCTION



Dear customer, Thank you very much for buying our items. Please read the assembly instruction carefully before assembly.

Notices:

- Verify that all parts are present and in good condition before assembly.
- Put the ottoman on a clean flat surface.
- Please tighten the screws to about 80% for the first step; Then, sit with caution on the ottoman to adjust the balance; Finally, tighten all the screws to 100%.
- If you find that is unlevel after assembly, you can use adjustable pegs to keep four legs level.

Contact us

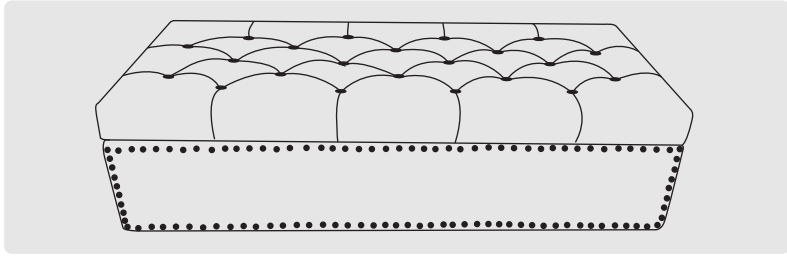
If there are installation problems, damage, missing parts, or any questions and concerns, please contact the shop where you bought it so we can make things right.

If the product is damaged, please send the following information:

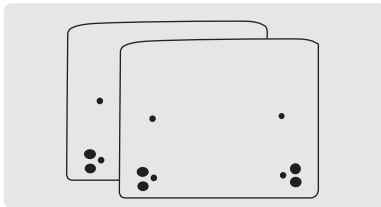
- Photos that show the reason for your claim/damage.
- Photos of the packaging (inside and outside).

Thank you very much for your support!

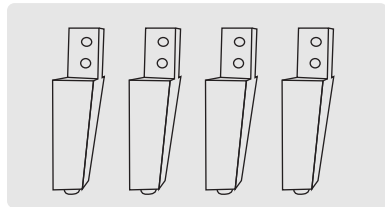
Package Contents



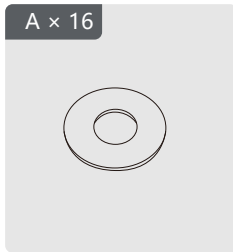
Seat



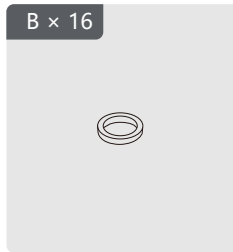
Armrest



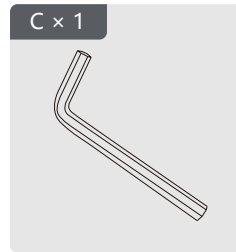
Legs



φ8
Washer



φ8
Spring Washer



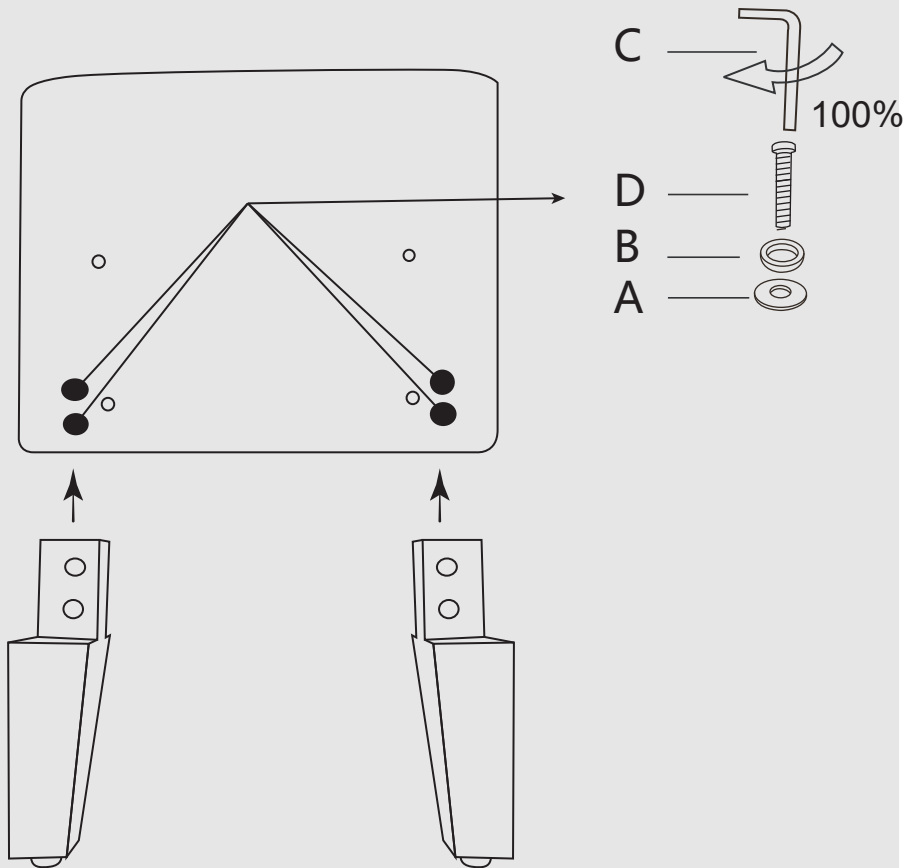
φ6
Spanner



M8x50mm
Screws

Step by Step Guide

1

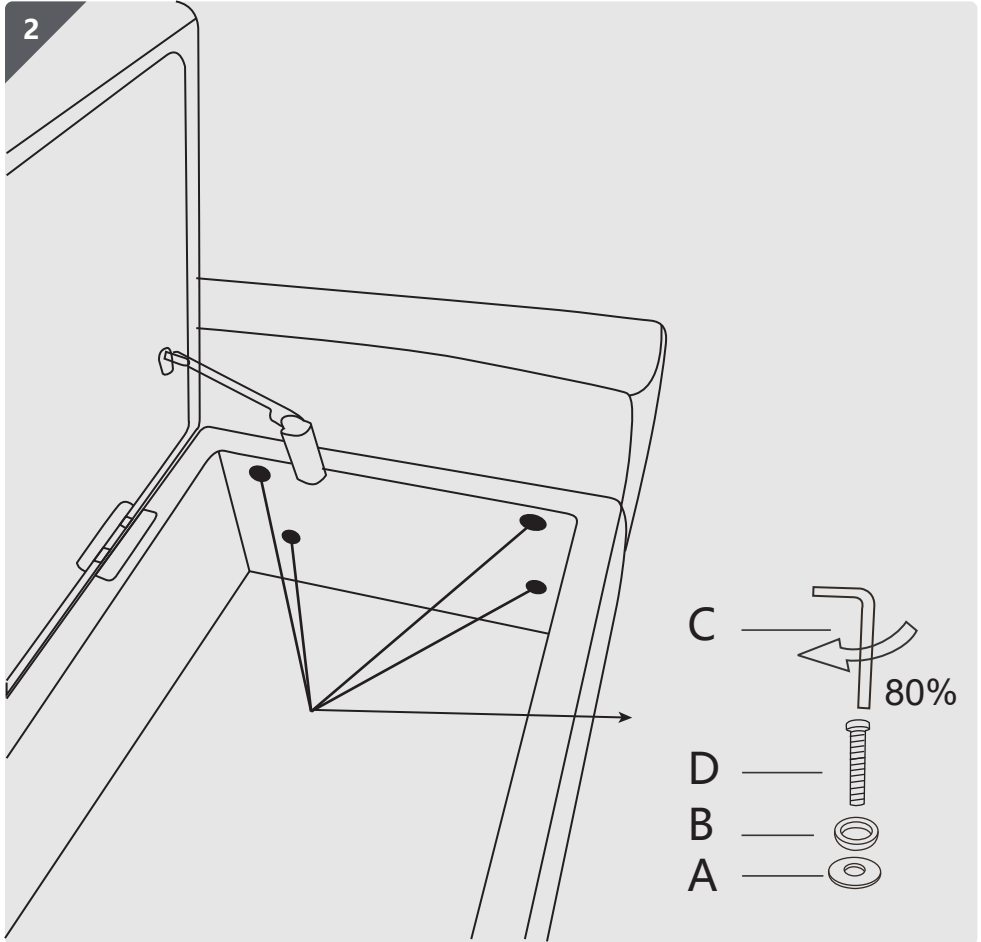


Open the ottoman lid to take the legs and hardware out.

Taking legs align four large screw holes of the ottoman armrest by using the screws (D) with washers (#A, B).

Tighten all 4 screws up to 100% at the same time. The other side is also assembled in the same way.

Step by Step Guide

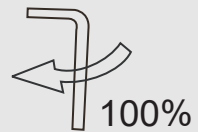
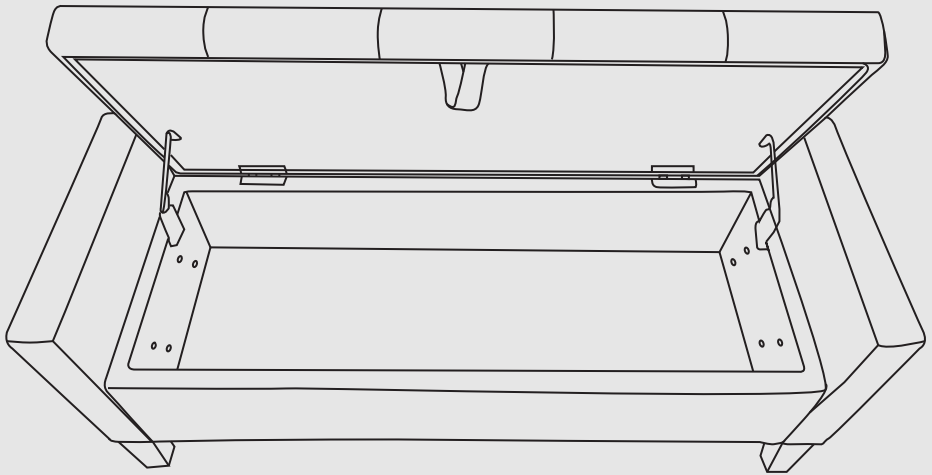


Open the ottoman lid, align the four screws of the armrest and seat cushion from the inside out by using the screw (D) with washers (#A, B). Tighten all 4 screws up to 60-80% at the same time.

The other side is also assembled in the same way.

Step by Step Guide

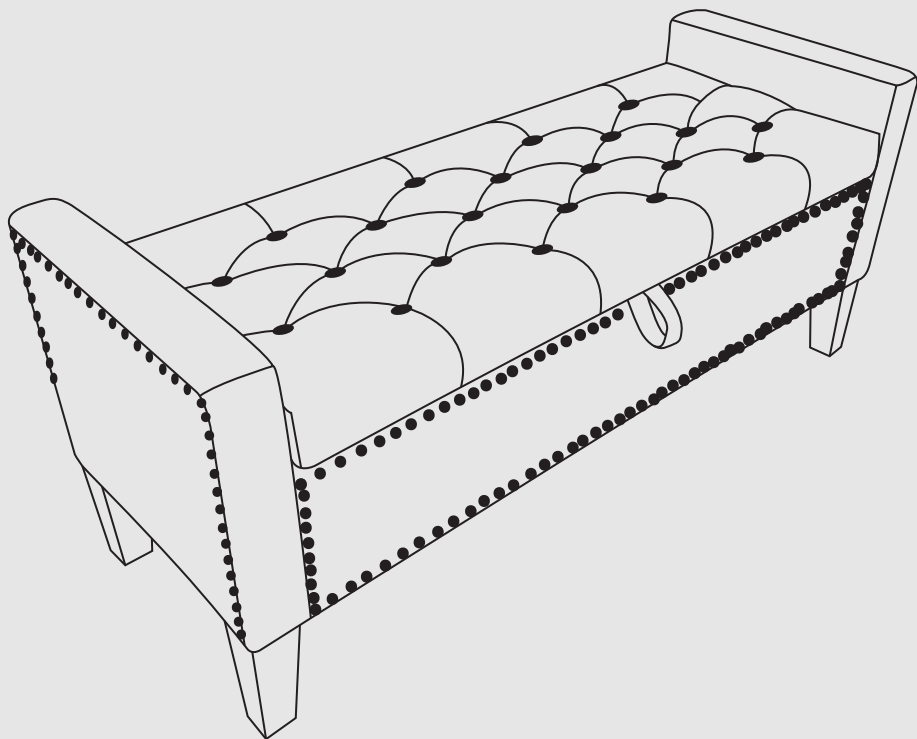
3



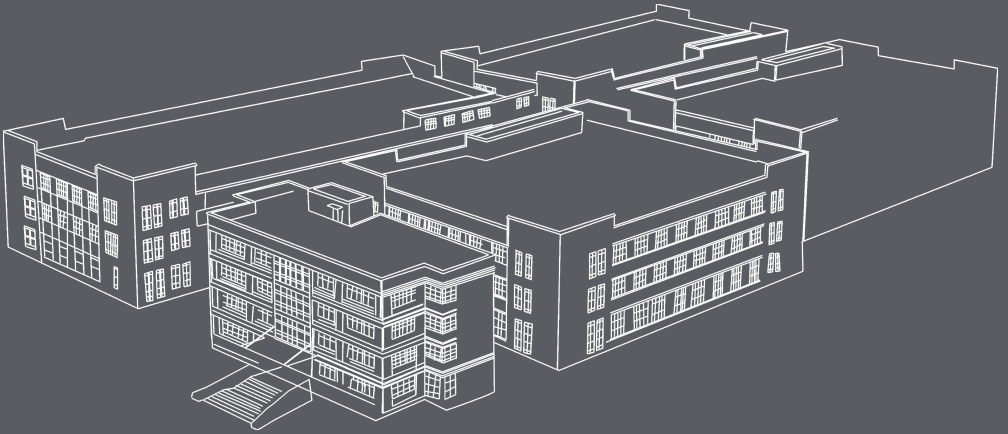
Tighten all the screws up to 100%
Then close the lid of the ottoman.

Step by Step Guide

4



Sit on the ottoman, and check whether the bench is steady or not.
If not, please check all of the screws are tightened.



About us

We are a professional manufactory for making and selling dining chairs. In the past 15 years, we have exported millions of chairs to Europe and USA.

We focus on providing you with high-quality products that meet international standards. To ensure timely shipping, we have built large warehouses

Contact us

The fastest way to get more information about the deals!