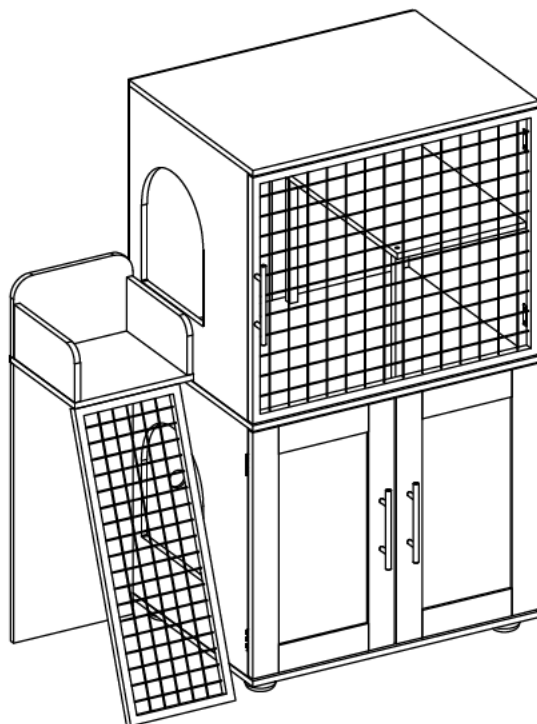



Assembly Instruction



 Team
Assembly
Recommended

Tips!



1. Check all the components & screws are intact before assembling .
2. If you notice any pieces are missing or damaged please do not assemble and contact us immediately .
3. **Please send an email with you order number and issues, we will respond within 24 hours.**

IMPORTANT SAFETY INFORMATION

- Please carefully read the following instructions and caution warnings before assembling the product.
- Following this guide will ensure that you install, use and maintain the product properly.
- Please keep this installation and user manual/instructions for future reference in case you need to disassemble the product.
- Never allow children to climb onto the product. Ensure that you have special safety measures when children are around on their own.
- Be sure to check that all parts of the product are intact after you open the package.
- Do not assemble if you notice serious damage such as cracks or bends.
- During installation, please use work gloves for hand safety.
- Please assemble the unit on carpeted floor or the flat cardboard box to avoid scratching the surface or your floor while assembling on the floor.
- To assemble, please use the complimentary installation tools (Phillips screwdriver). Pay more attention to the direction of components at each steps.
- It is recommended that two people work together to assemble the product.

RETURN POLICY

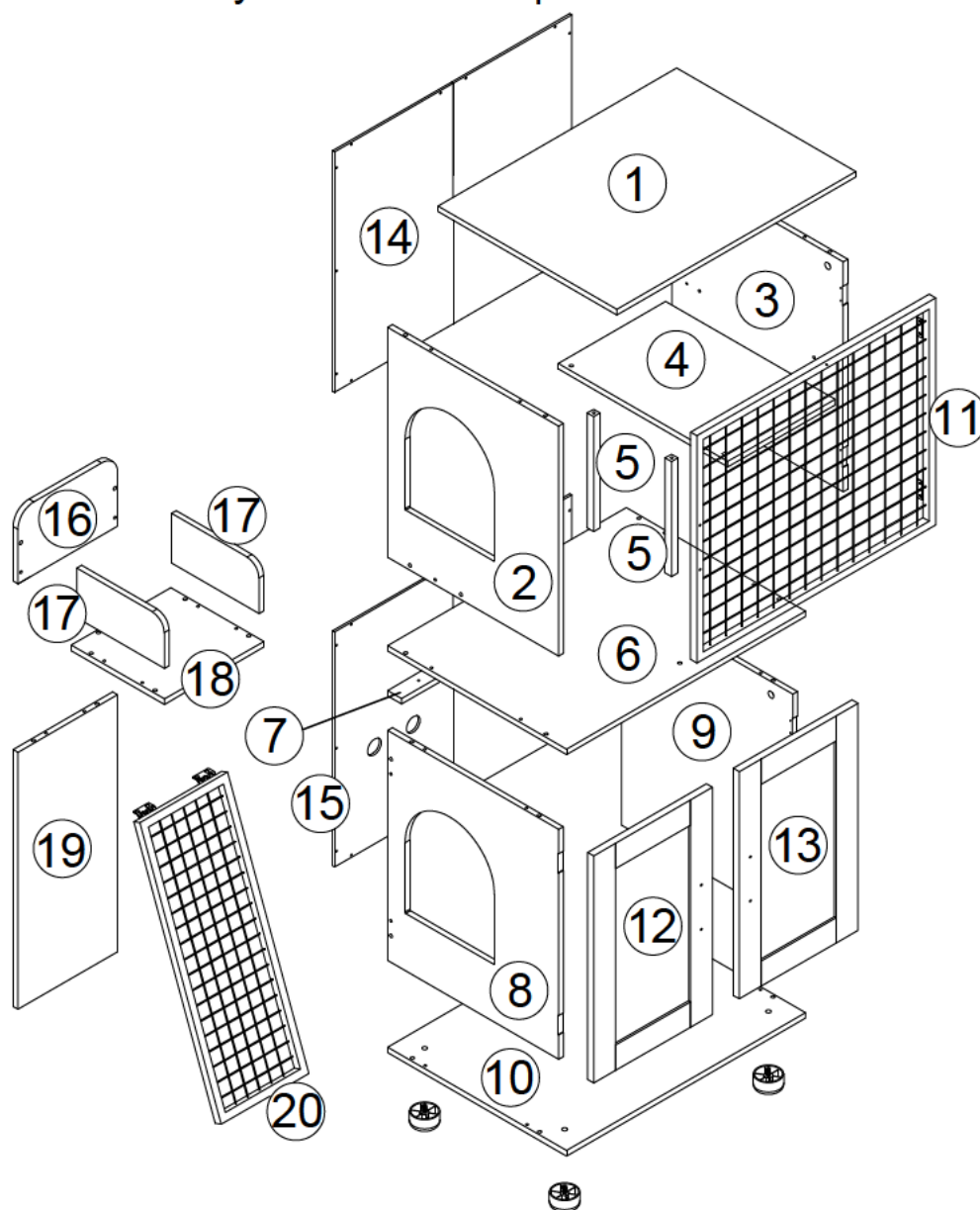
- Please contact us directly within 30 days after receiving.
- Ensure the product is in a good condition with the original box and all original certificates of purchase, manuals, and accessories attached.

HOW TO MAINTAIN YOUR PRODUCT

- Check the screws of the product are not loose from regular use.
- Do not use sharp instruments, rubbing alcohol, corrosive chemicals, or abrasive cleaners to clean the item.

COMPONENT PARTS



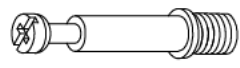

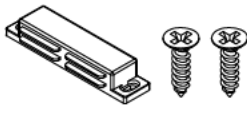
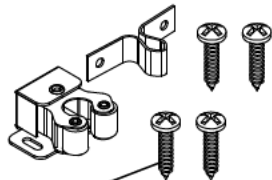
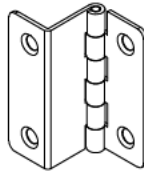

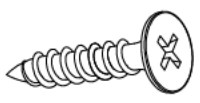

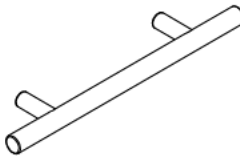

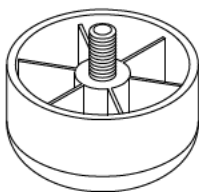



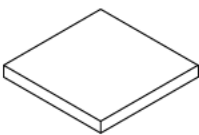
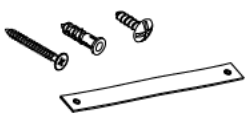

Please check that you have all the parts listed below



1	Top Panel	X 1
2	Upper Left Panel	X 1
3	Upper Right Panel	X 1
4	Shelf	X 1
5	Support Shelf	X 2
6	Middle Panel	X 1
7	Support Middle Panel	X 1
8	Bottom Left Panel	X 1
9	Bottom Right Panel	X 1
10	Bottom Panel	X 1

11	Upper Door	X 1
12	Bottom Left Door	X 1
13	Bottom Right Door	X 1
14	Upper Back Panel	X 1
15	Bottom Back Panel	X 1
16	Seat Back Panel	X 1
17	Seat side Panel	X 2
18	Seat	X 1
19	Left Back Panel	X 1
20	Slide	X 1

Please check that you have all the parts listed below

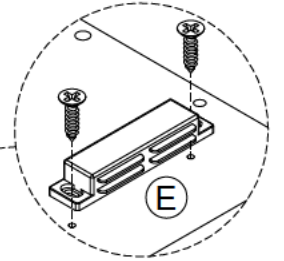
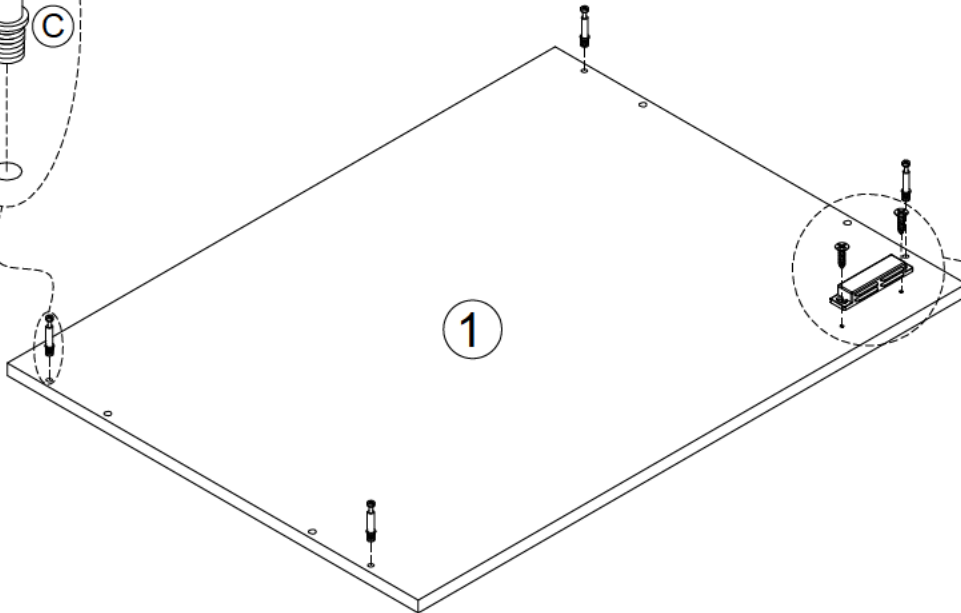
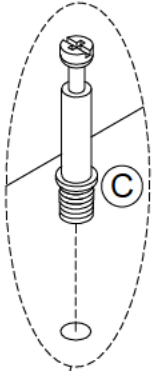
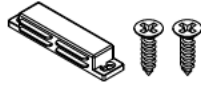
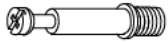
<p>Ⓐ x 29+2pcs</p>  <p>Ø6*30mm</p>	<p>Ⓑ x 12+2pcs</p>  <p>Ø15*9mm</p>	<p>Ⓒ x 12+2pcs</p>  <p>Ø6*35mm</p>	<p>Ⓓ x 20+2pcs</p>  <p>Ø7*38mm</p>
<p>Ⓔ x 1pc</p>  <p>Ø6*Ø3*14mm</p>	<p>Ⓕ x 2pcs</p>  <p>Ø6*Ø3*10mm</p>	<p>Ⓖ x 4pcs</p> 	<p>Ⓗ x 20+2pcs</p>  <p>Ø7*Ø3.5*12mm</p>
<p>Ⓘ x 3+1pcs</p>  <p>Ø8*Ø4*20mm</p>	<p>Ⓙ x 28+2pcs</p>  <p>Ø8*Ø3.5*16mm</p>	<p>Ⓚ x 3pcs</p> 	<p>Ⓛ x 6+1pc</p>  <p>M4*18mm</p>
<p>Ⓜ x 4pcs</p> 	<p>Ⓝ x 1pc</p>  <p>M4</p>	<p>Ⓞ x 4+1pc</p>  <p>M6*10mm</p>	<p>Ⓟ x 4+1pc</p>  <p>M6*40mm</p>
<p>Ⓠ x 2+1pc</p> 	<p>Ⓡ x 2pcs</p> 	<p>Ⓢ x 1pc</p> 	

Assembly instructions

1

Ⓒ x 4pcs

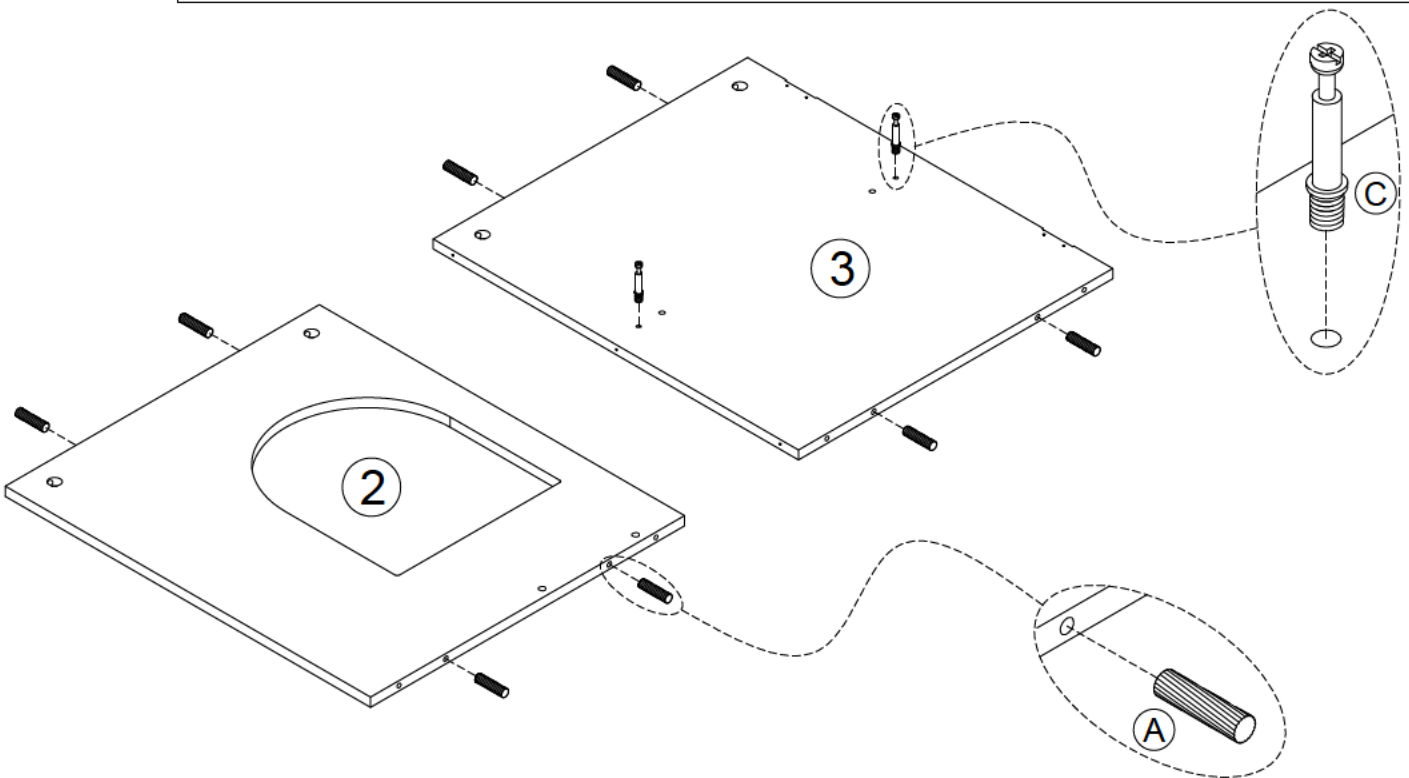
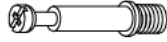
Ⓔ x 1pc



2

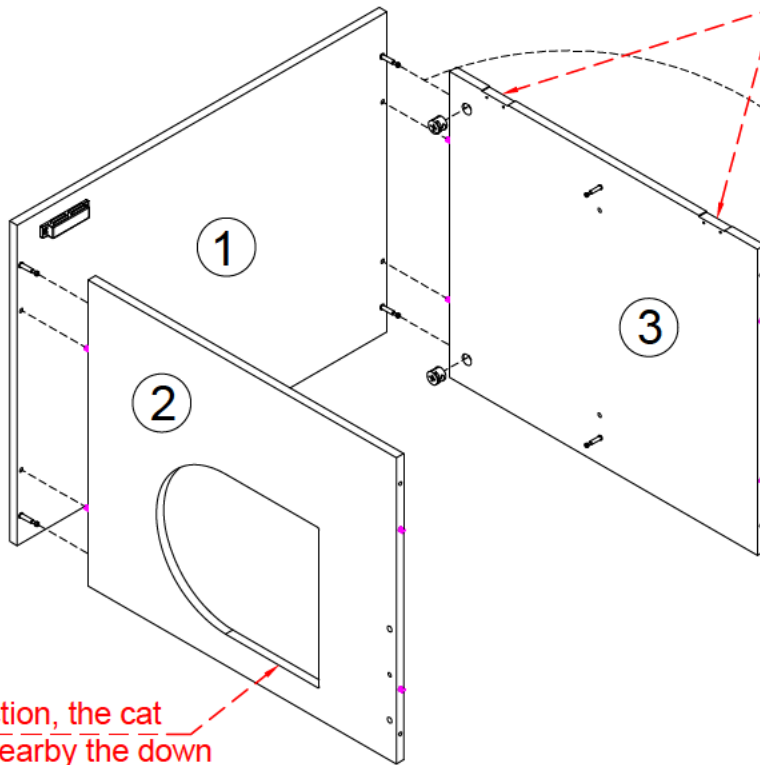
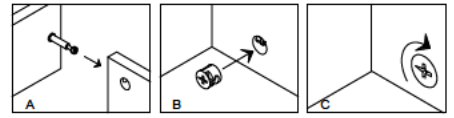
Ⓐ x 8pcs

Ⓒ x 2pcs



3

(B) x 4 pcs

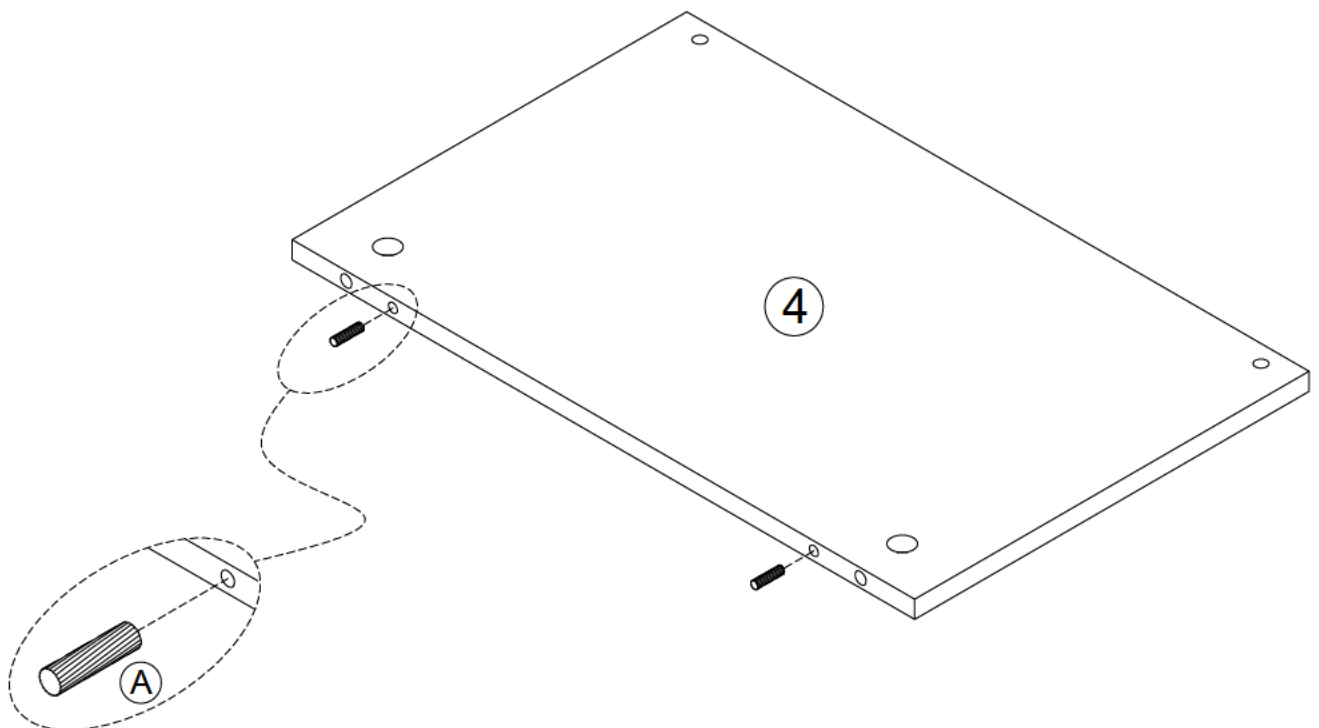


Noted the opening is upforward

Noted the direction, the cat entry need to nearby the down

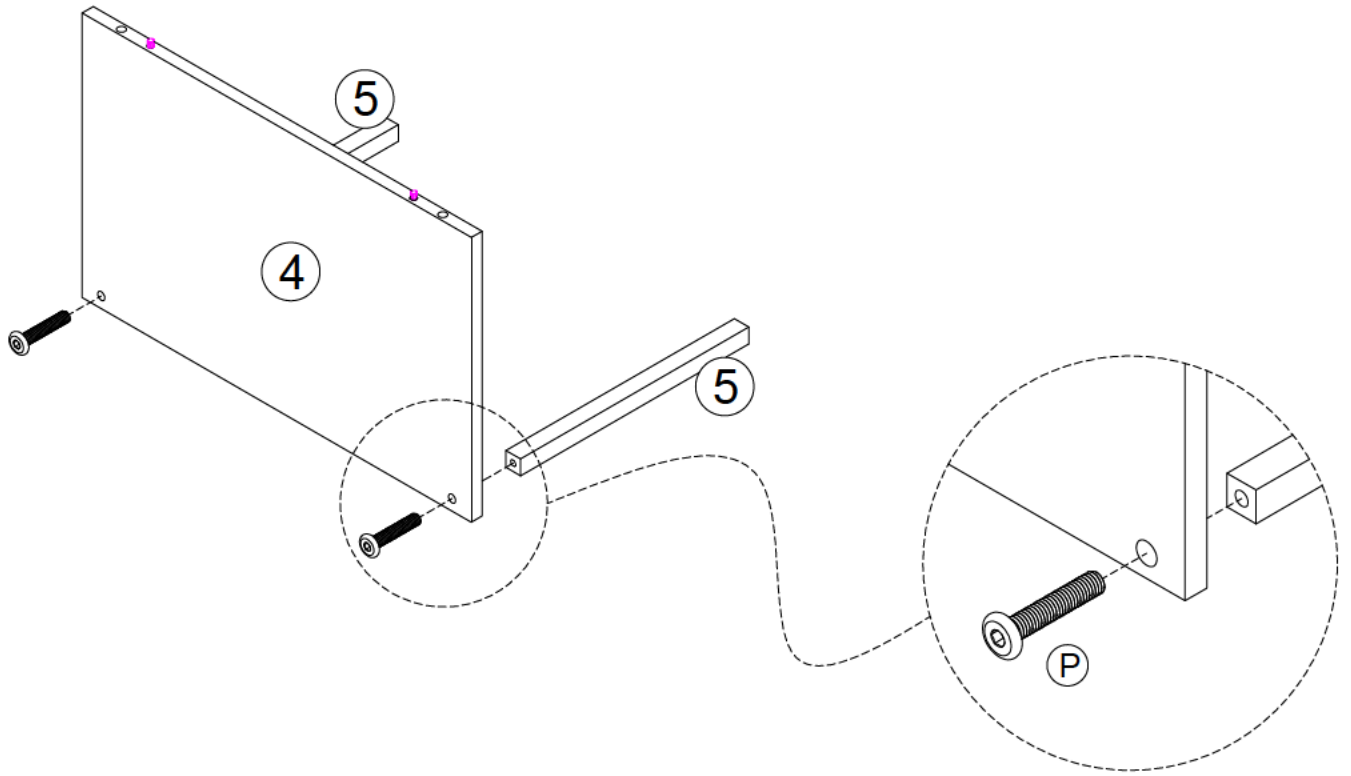
4

(A) x 2pcs



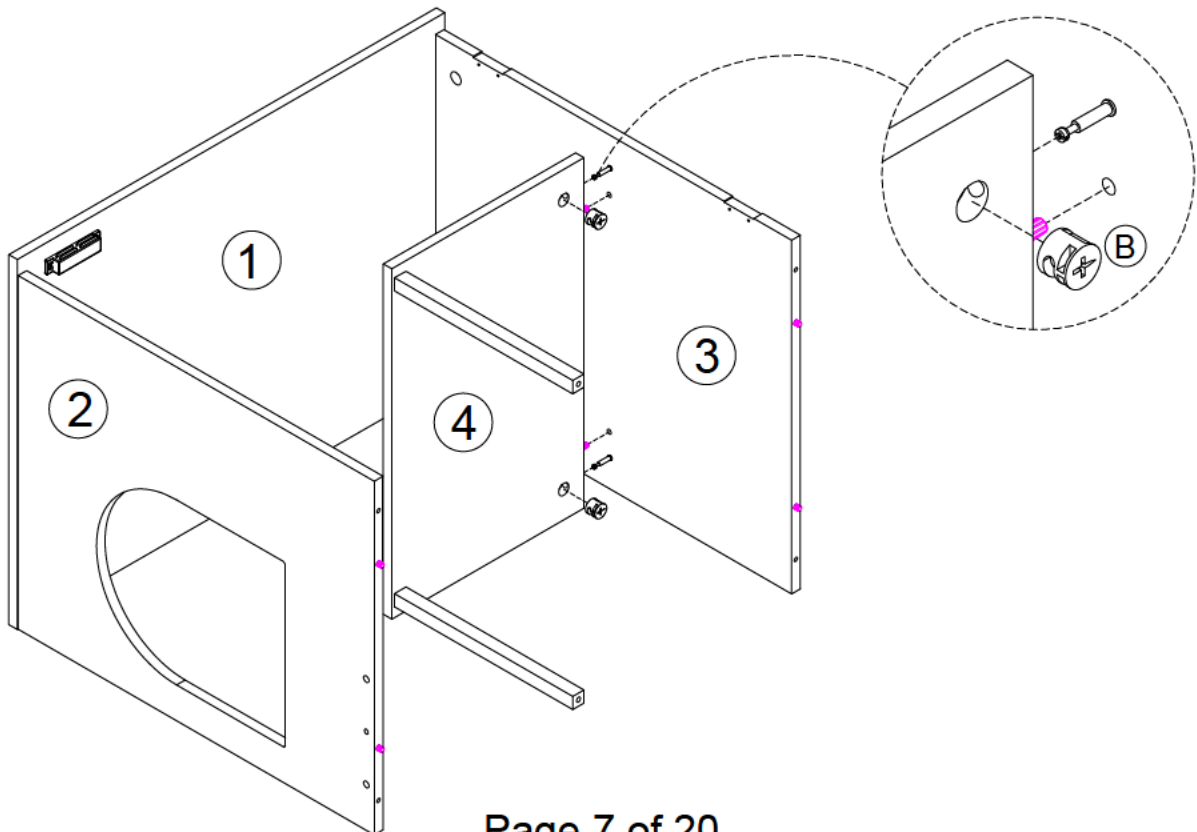
5

(P) x 2 pcs



6

(B) x 2 pcs

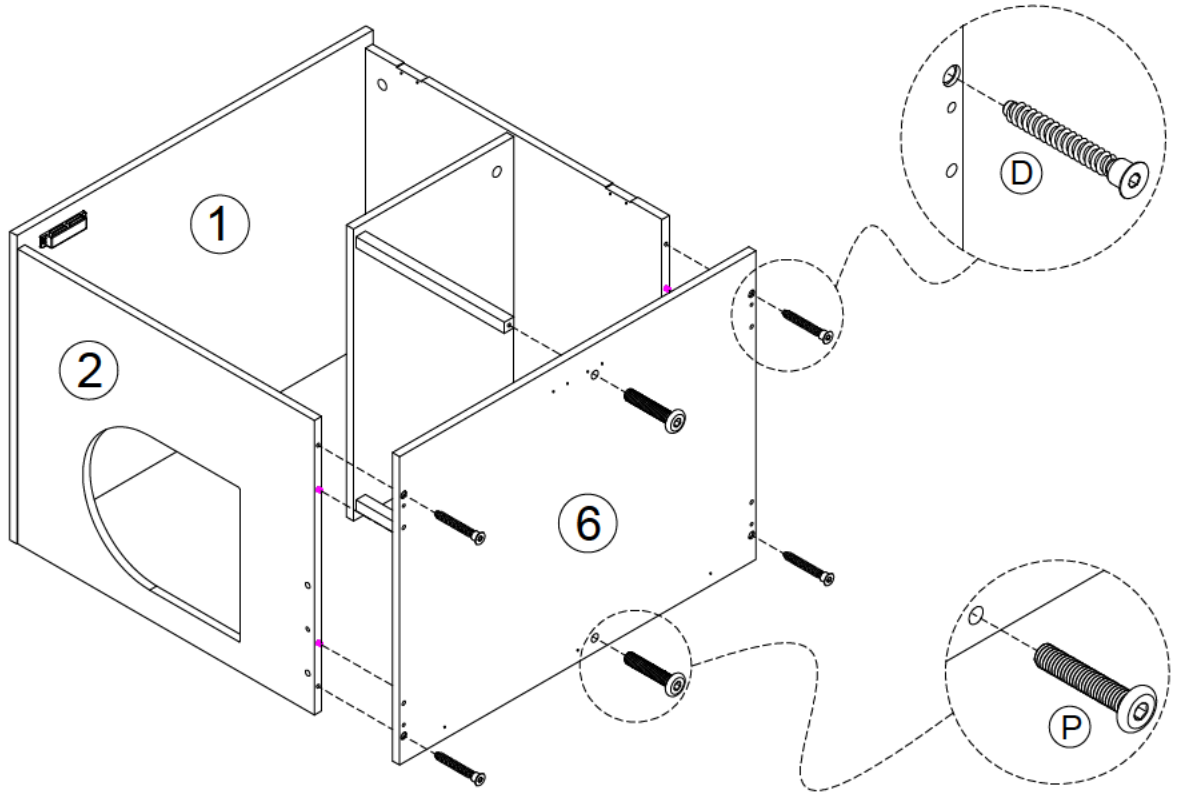


7

ⓓ x 4 pcs

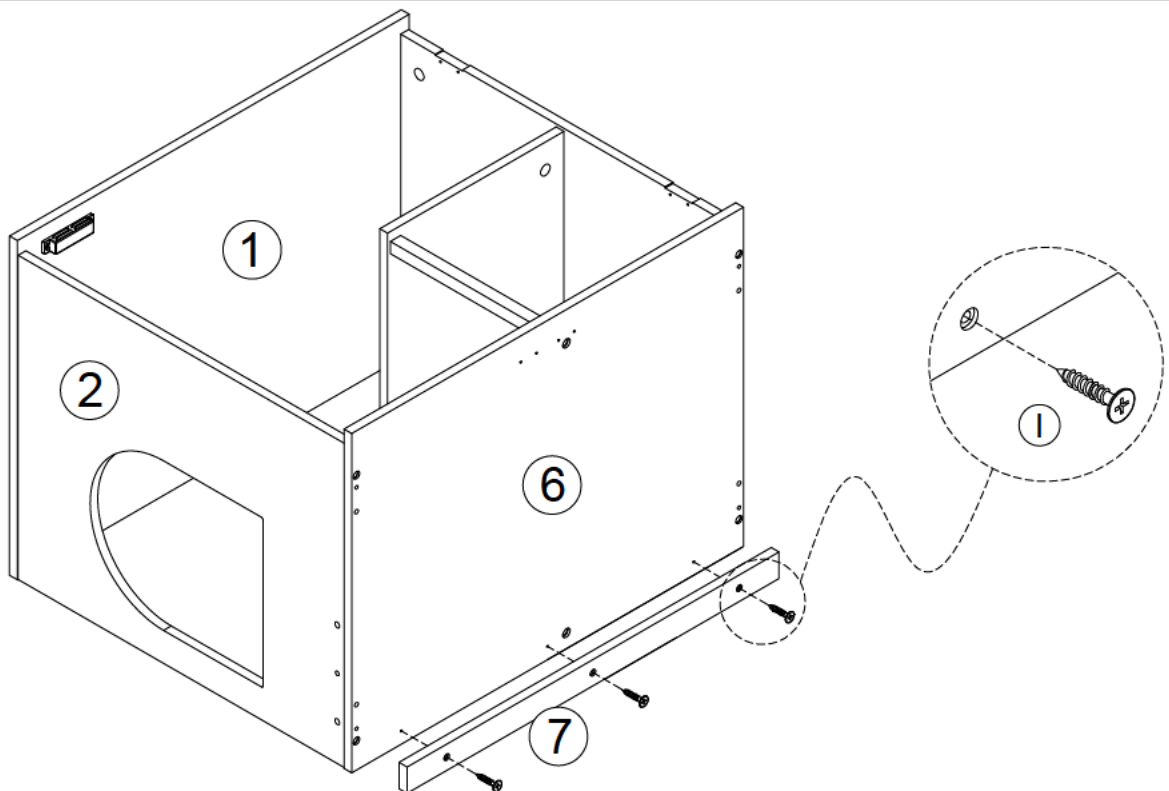


Ⓟ x 2 pcs



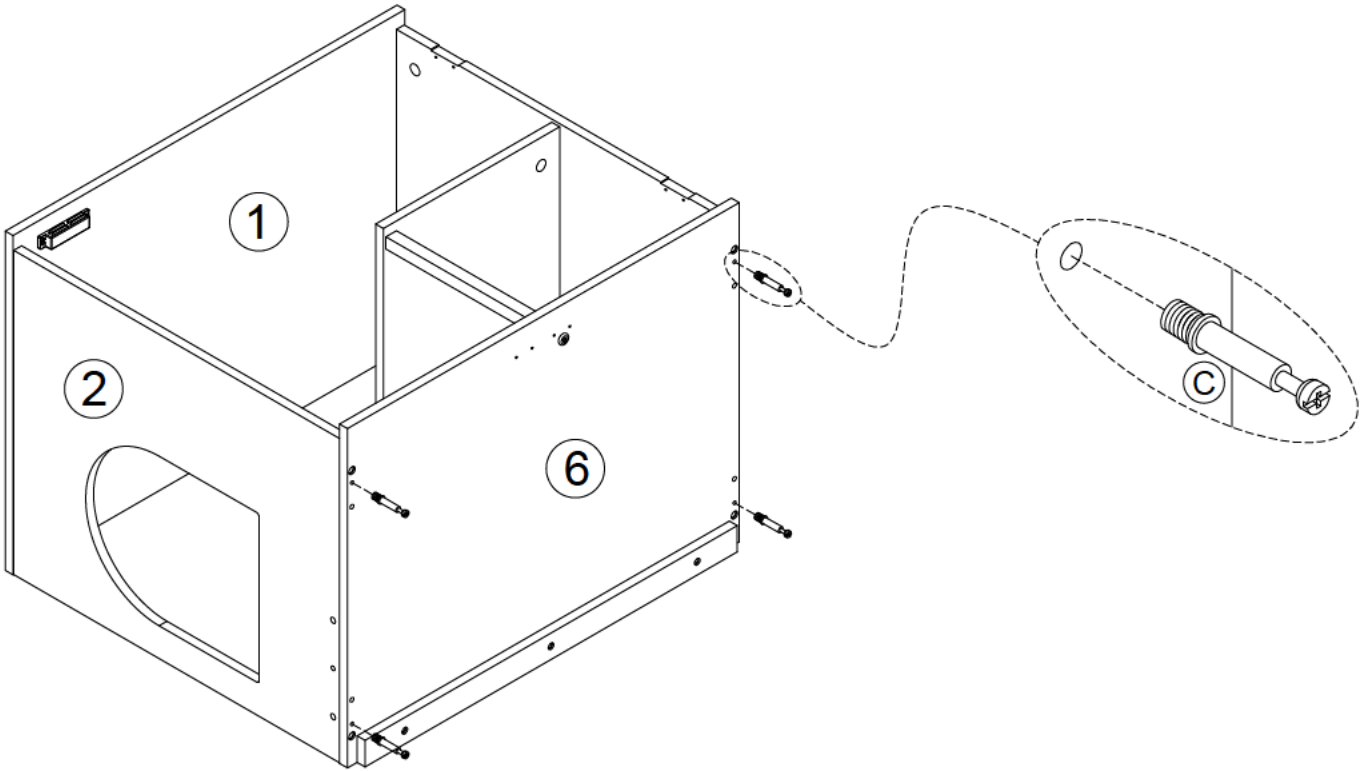
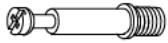
8

Ⓛ x 3 pcs



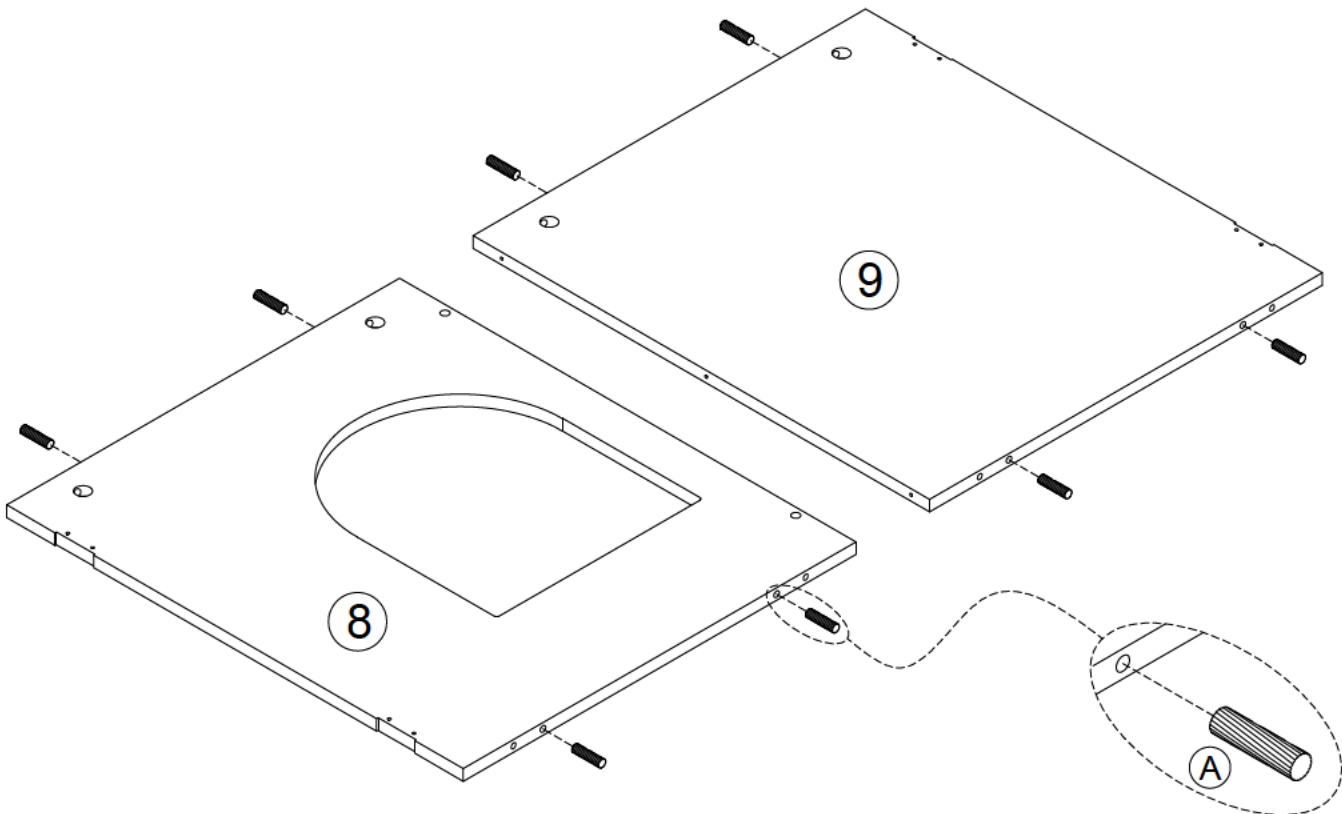
9

Ⓒ x 4pcs



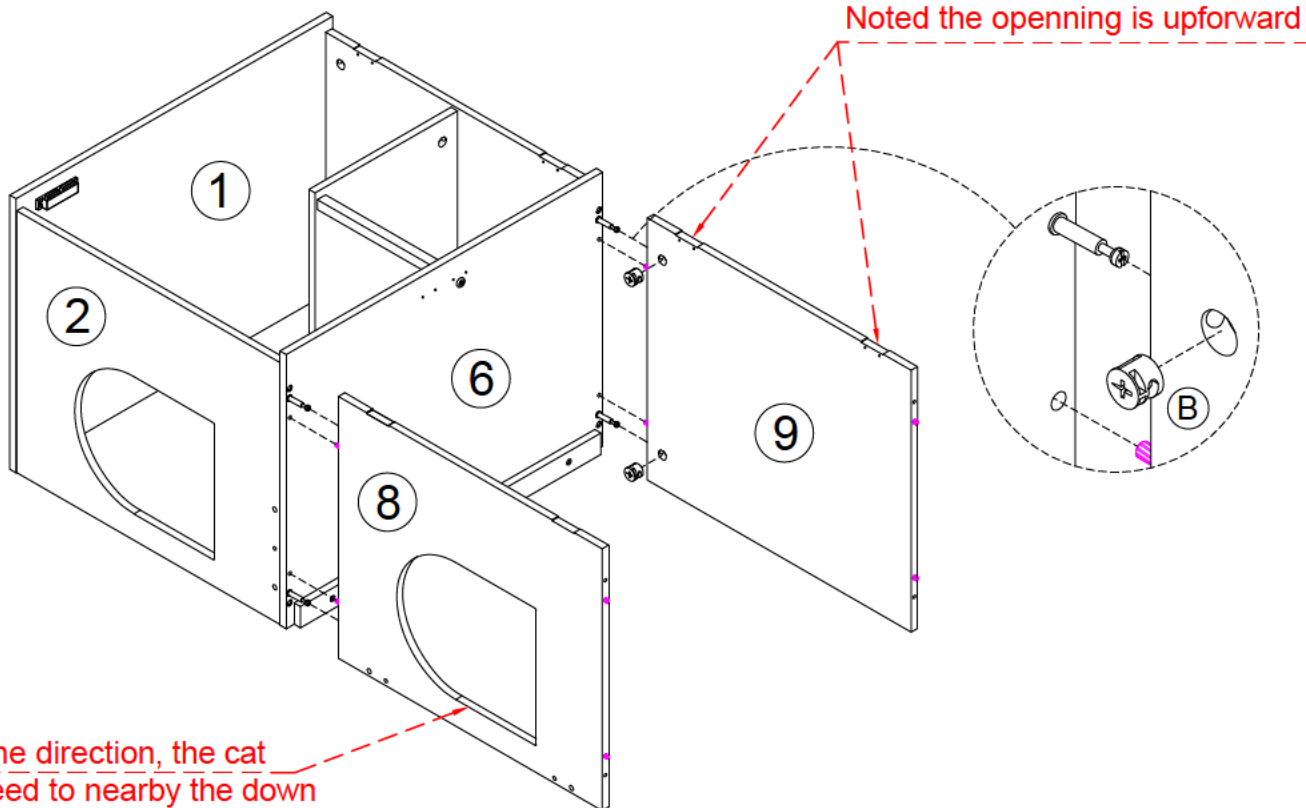
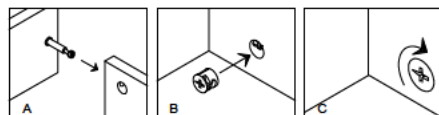
10

Ⓐ x 8pcs



11

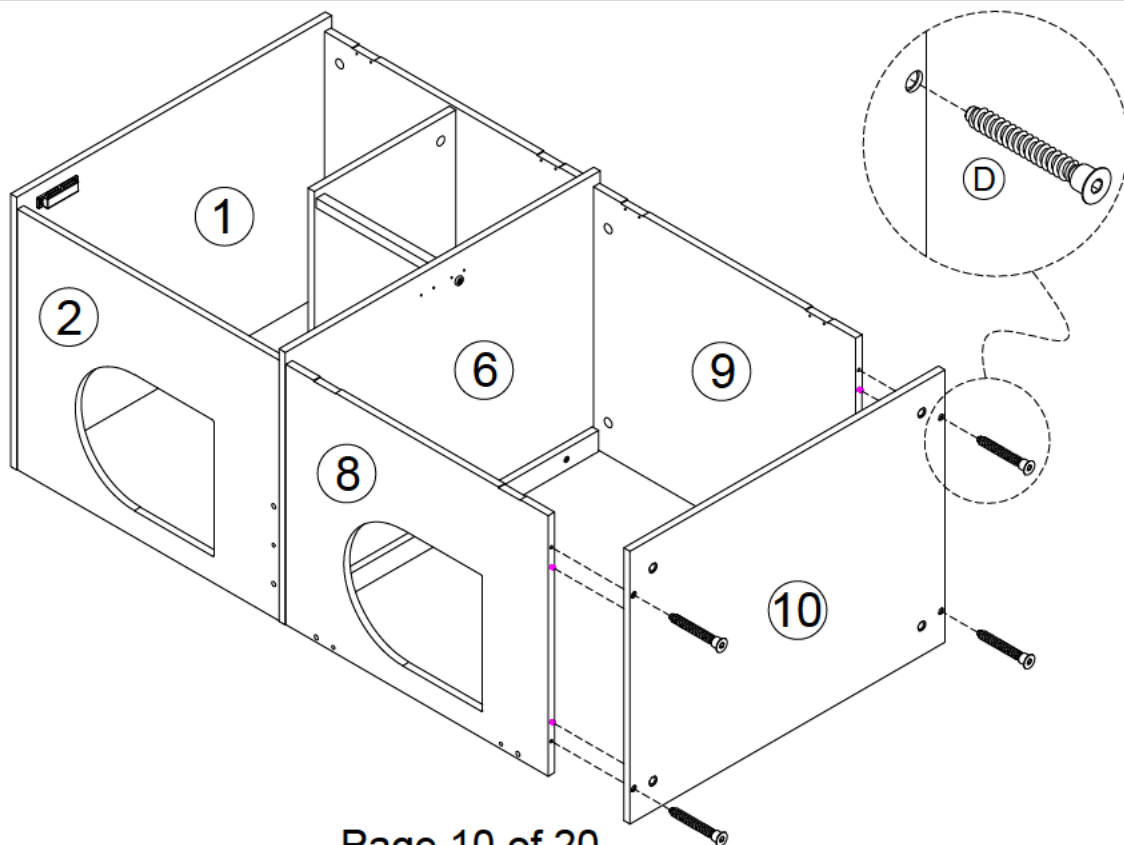
(B) x 4 pcs



Noted the direction, the cat entry need to nearby the down

12

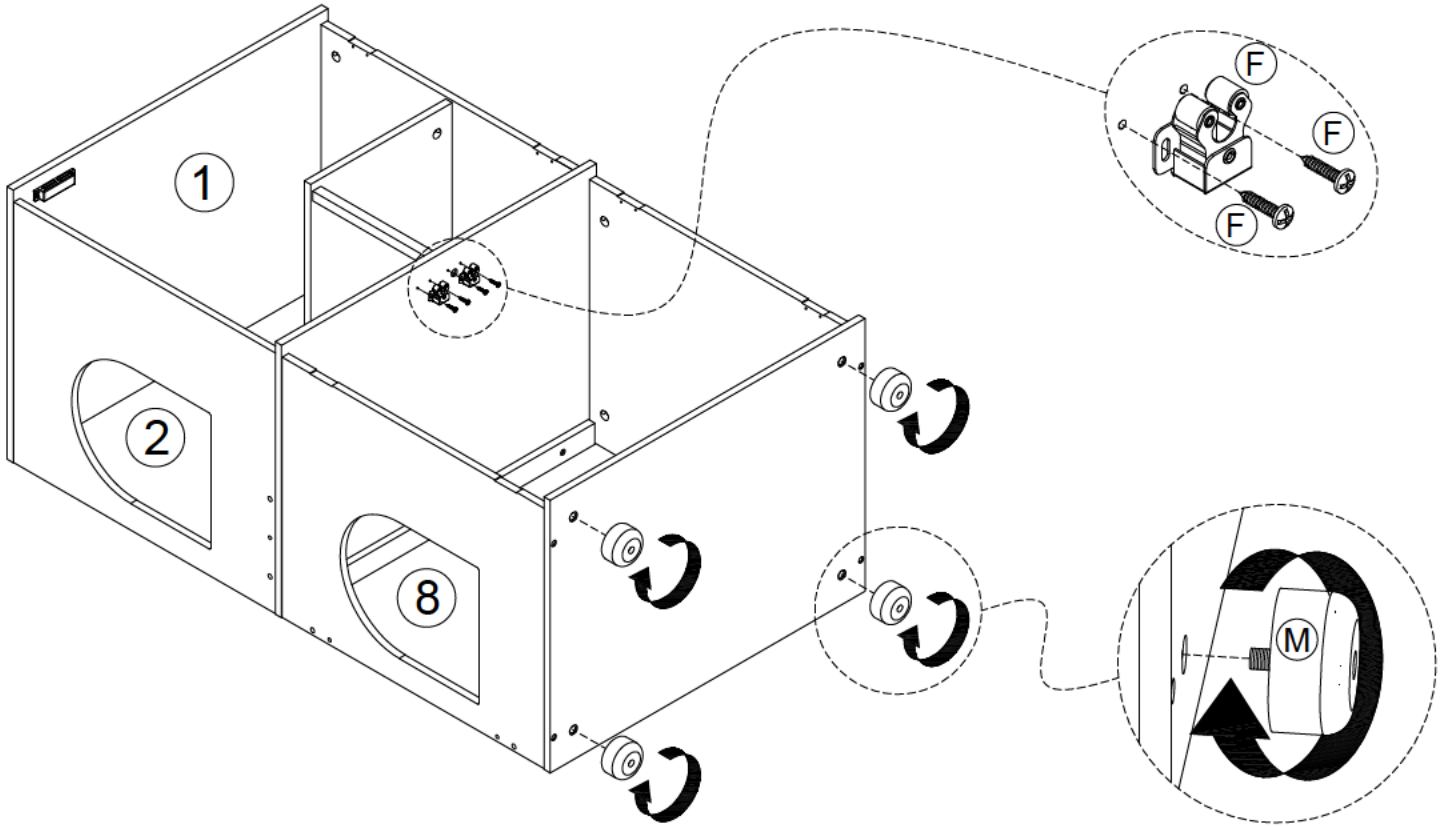
(D) x 4 pcs



13

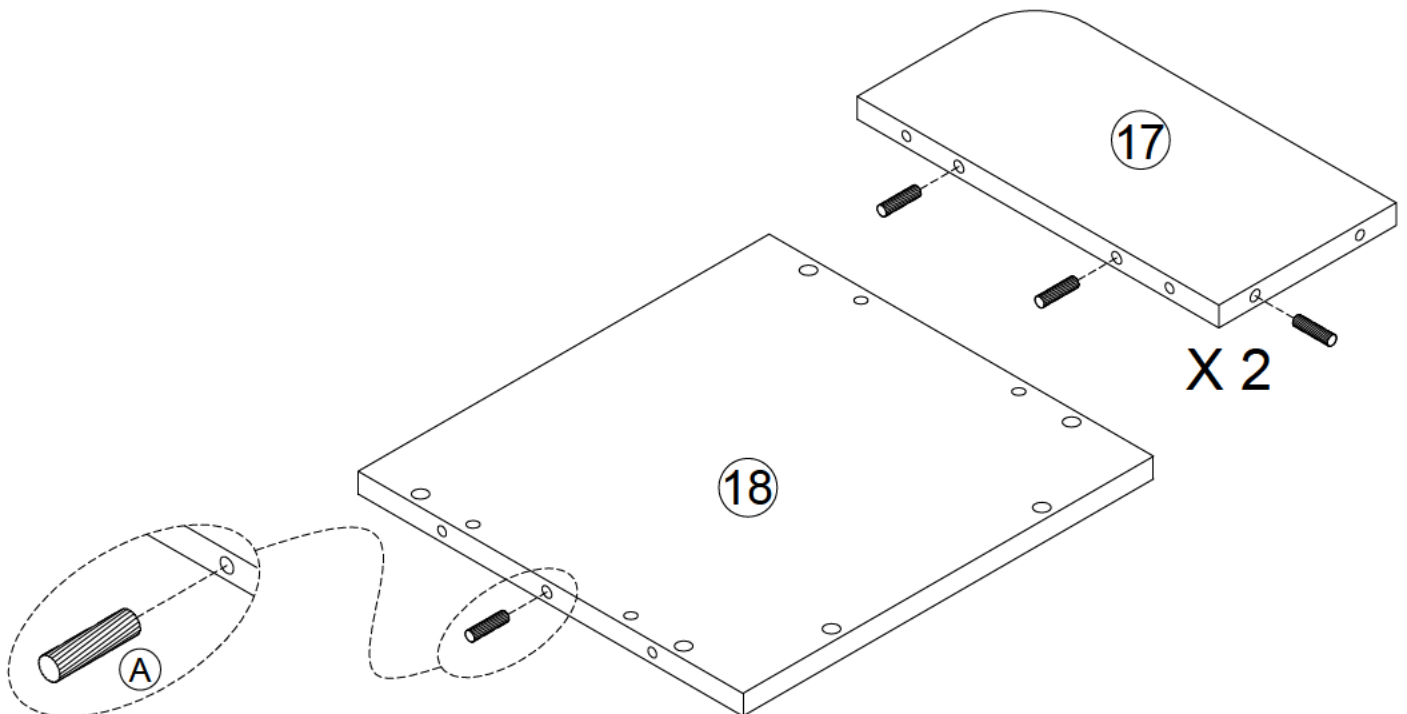
(M) x 4 pcs

(F) x 2 pcs



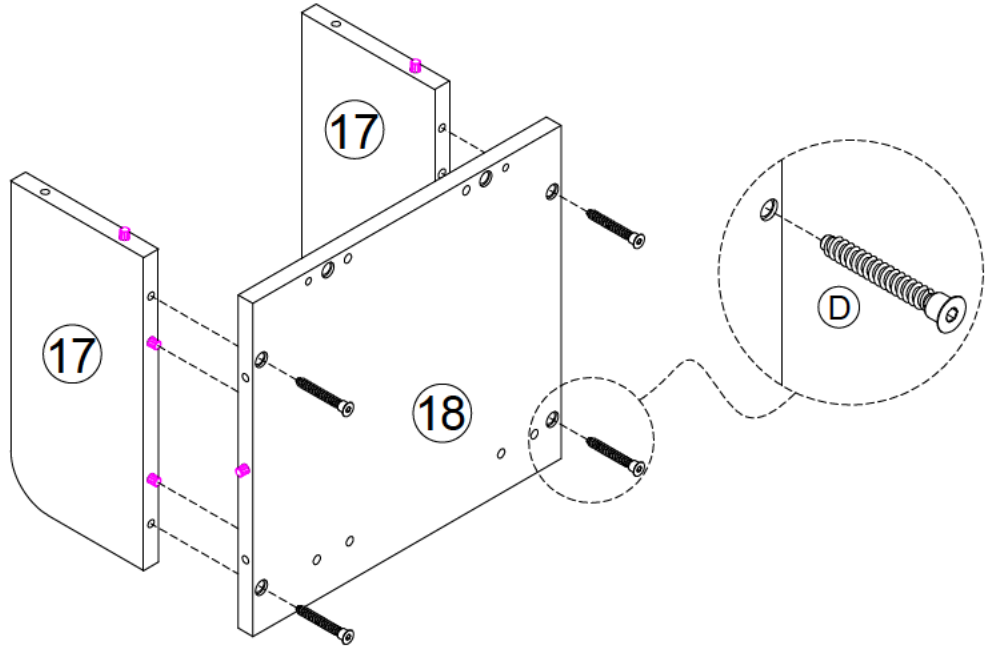
14

(A) x 7 pcs



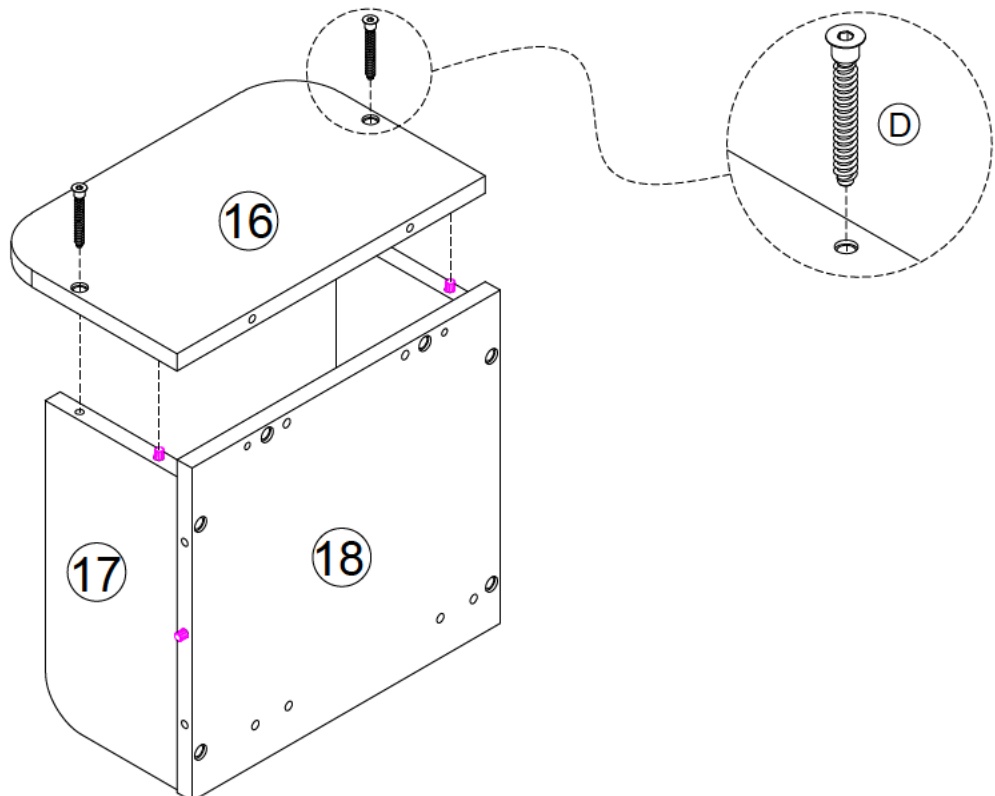
15

ⓓ x 4 pcs



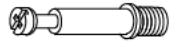
16

ⓓ x 2 pcs

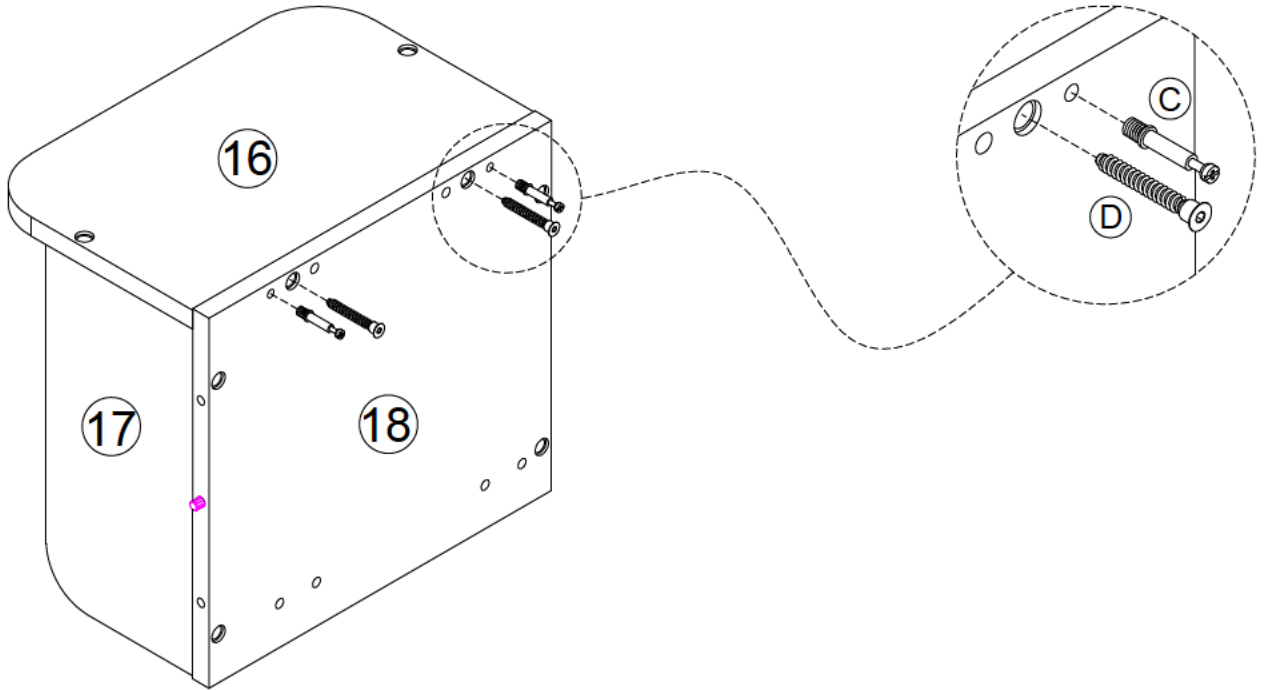


17

Ⓒ x 2 pcs

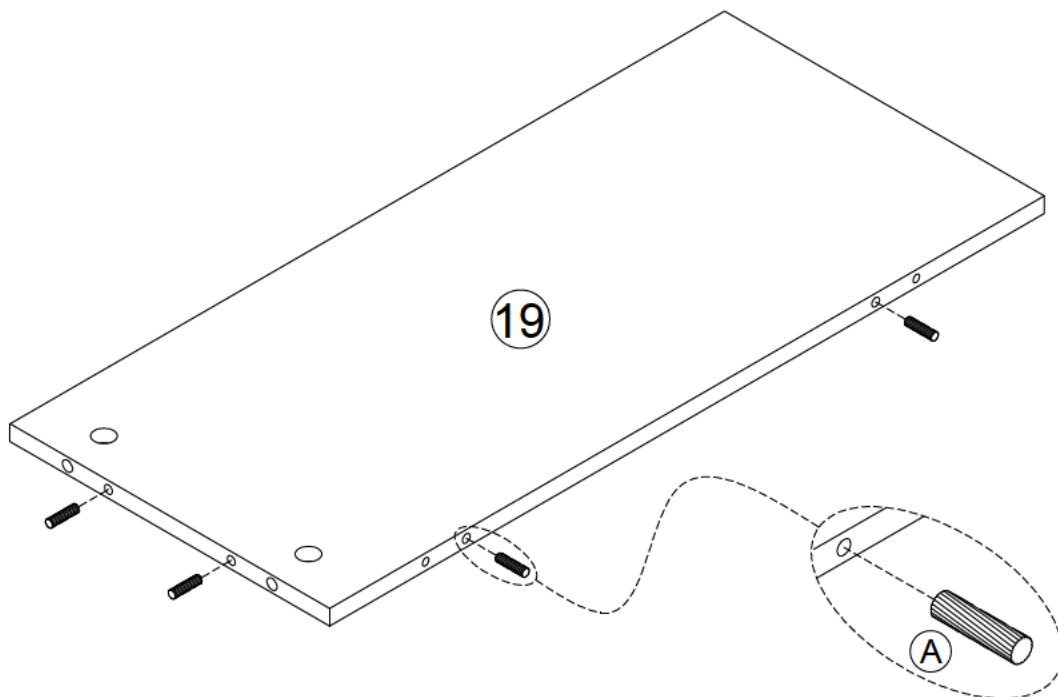


Ⓓ x 2 pcs



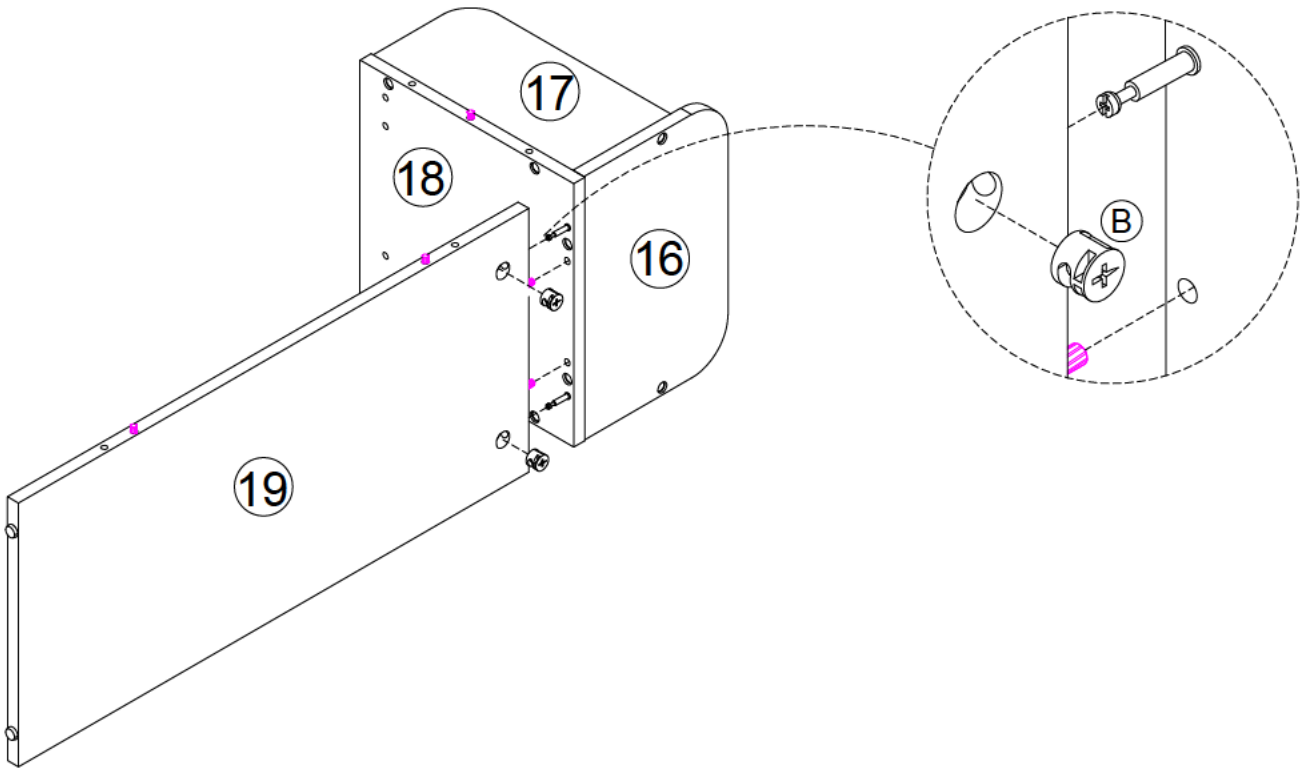
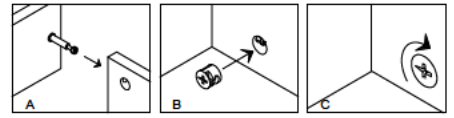
18

Ⓐ x 4 pcs



19

(B) x 2 pcs

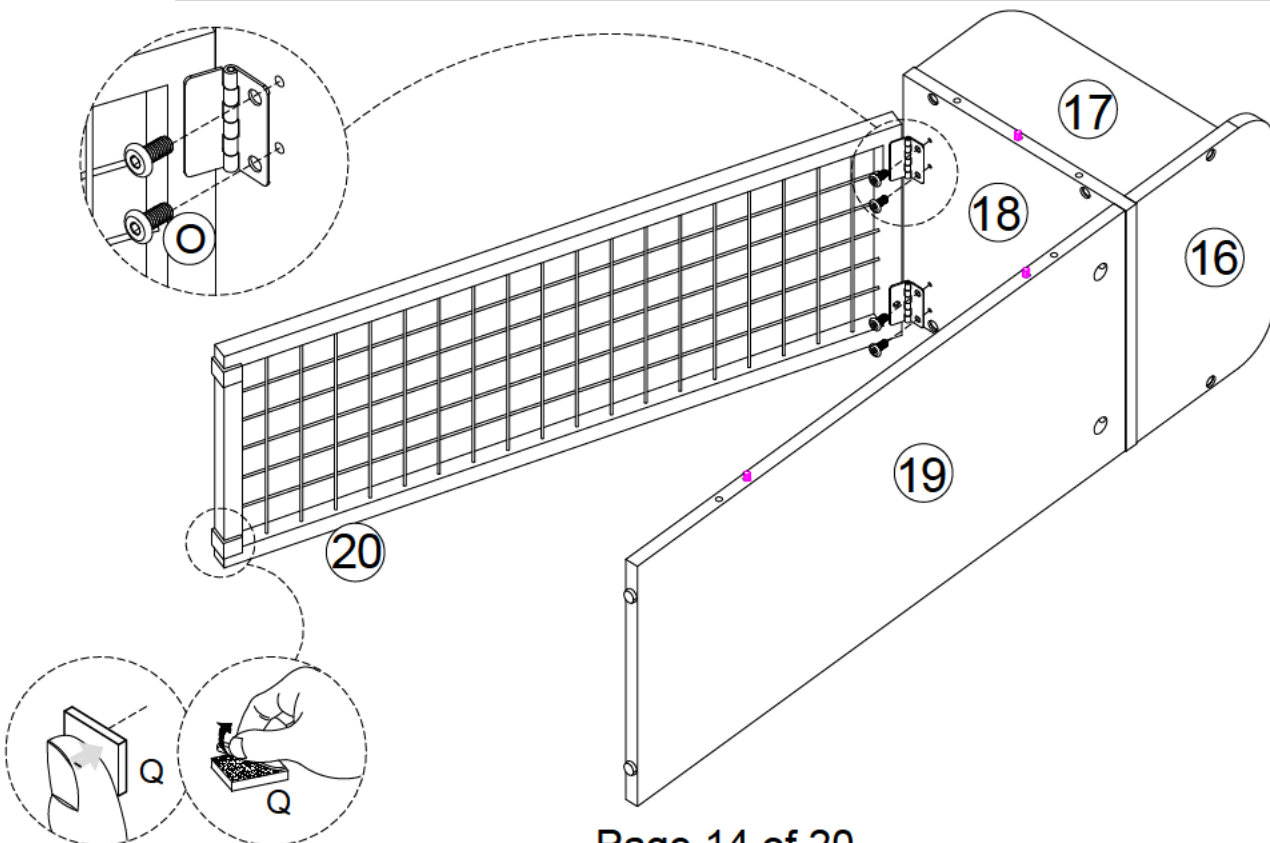


20

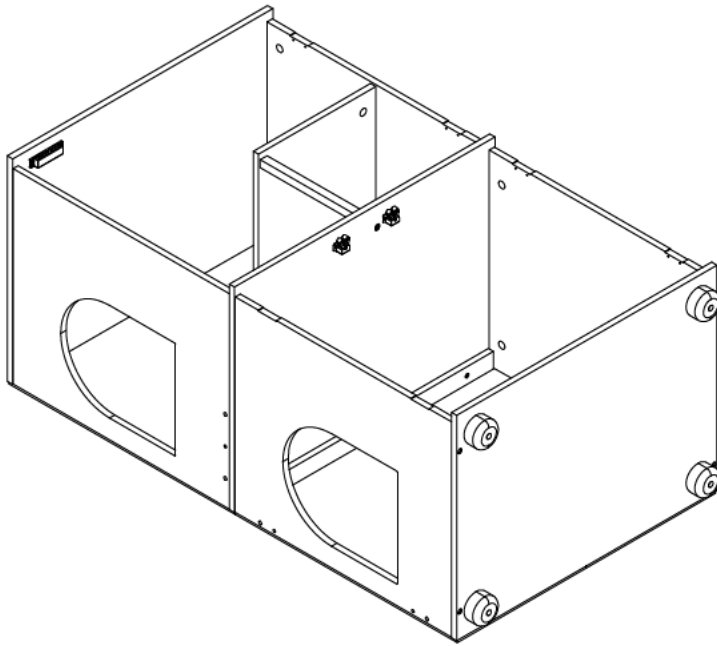
(O) x 4 pcs



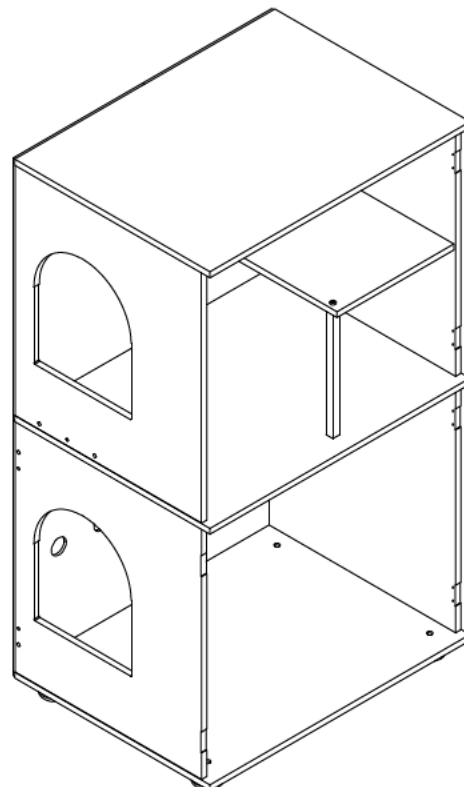
(Q) x 2 pcs



21

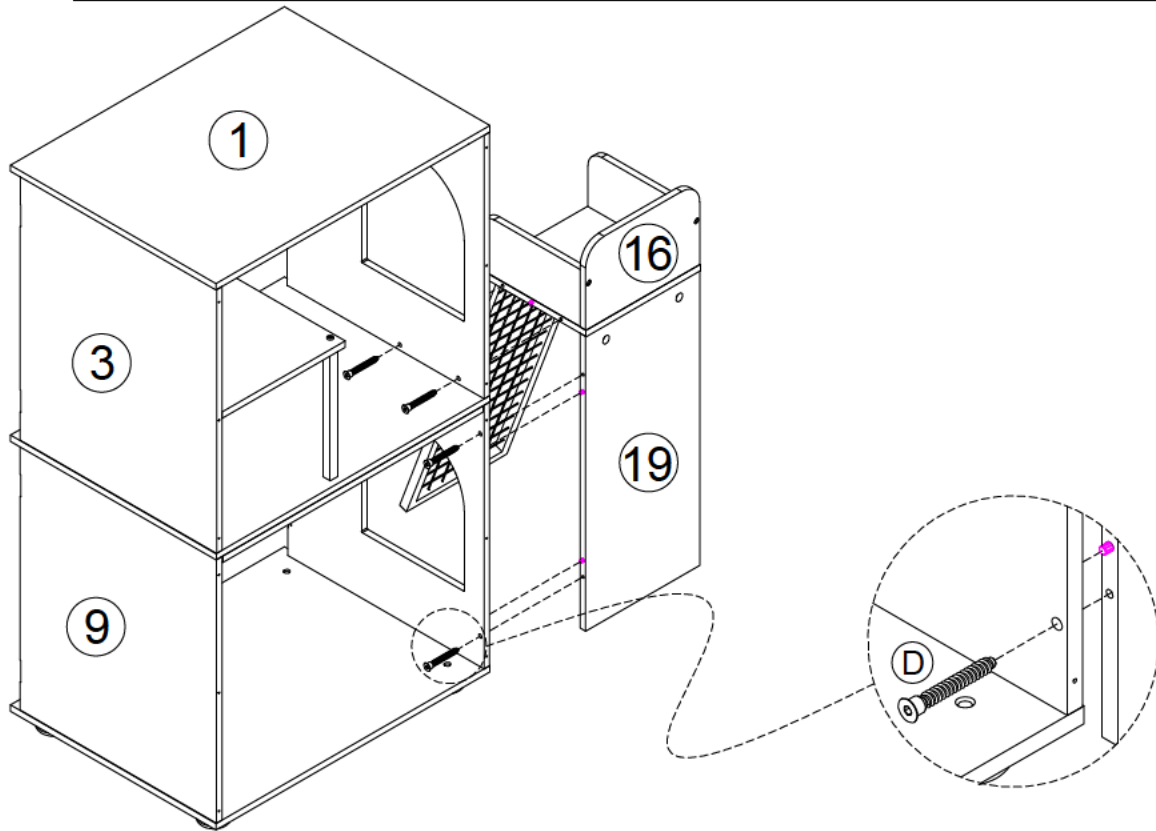


Due to incomplete assembled of the cabinet,
Please carefully stand up the cabinet and
avoid broke



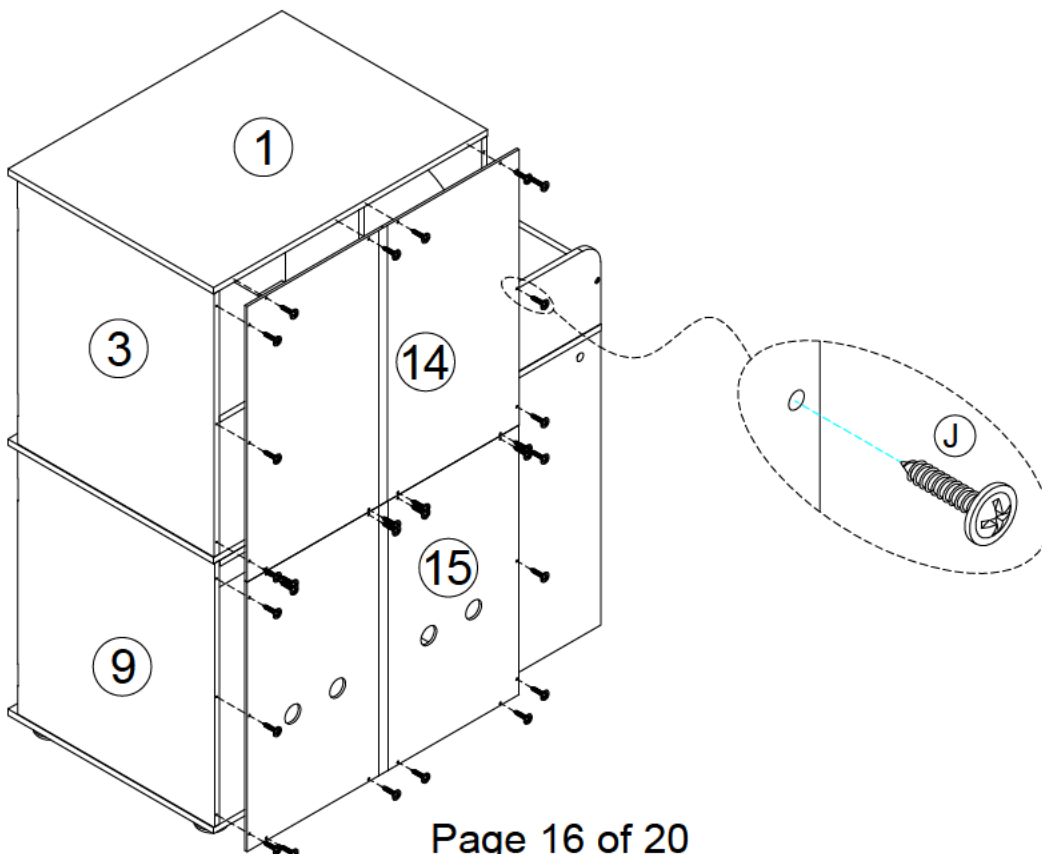
22

ⓓ x 4 pcs



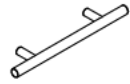
23

ⓙ x 28pcs

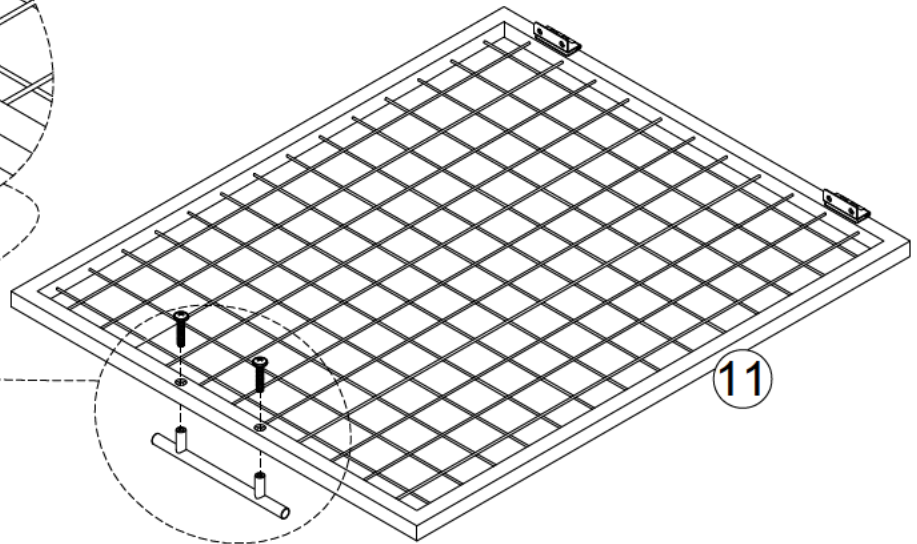
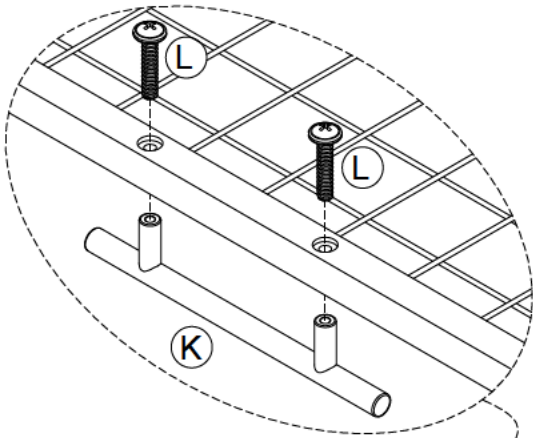


24

(K) x 1pc



(L) x 2pcs

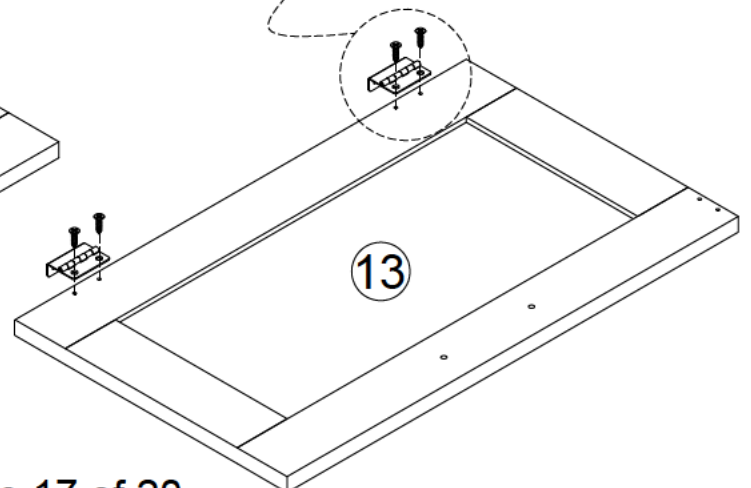
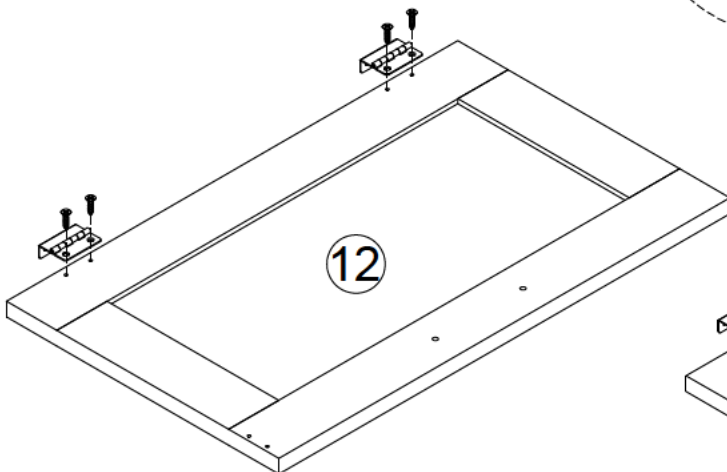
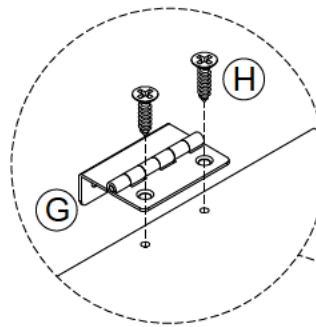


25

(G) x 4pcs

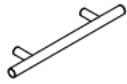


(H) x 8pcs



26

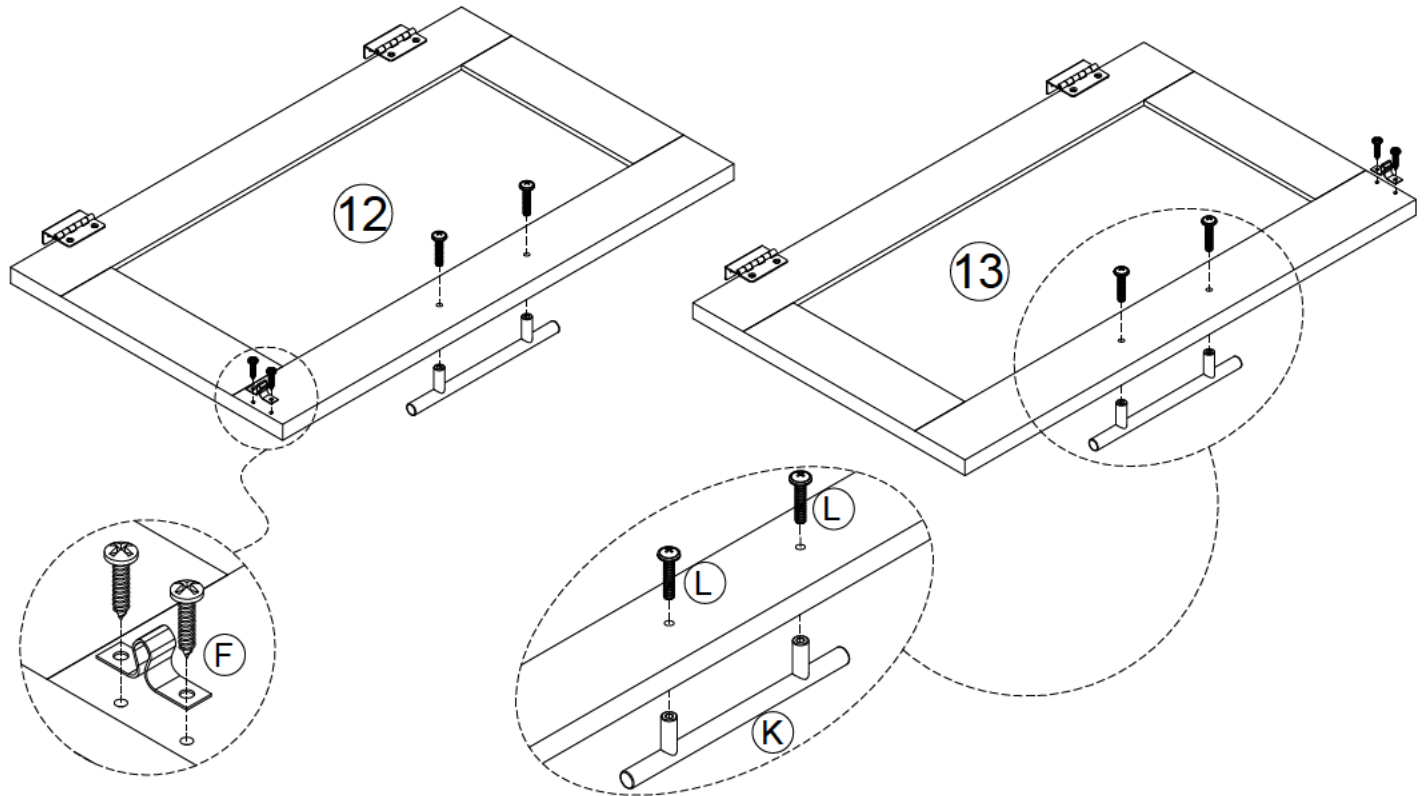
(K) x 2pcs



(L) x 4pcs

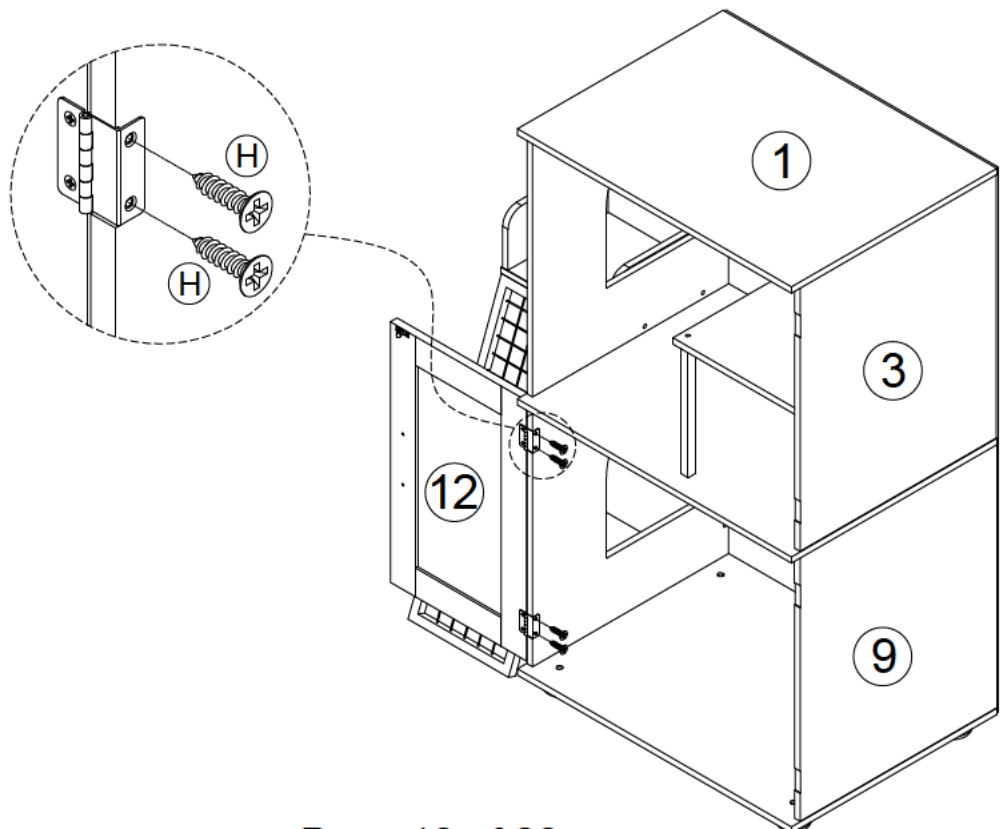


(F) x 2pcs



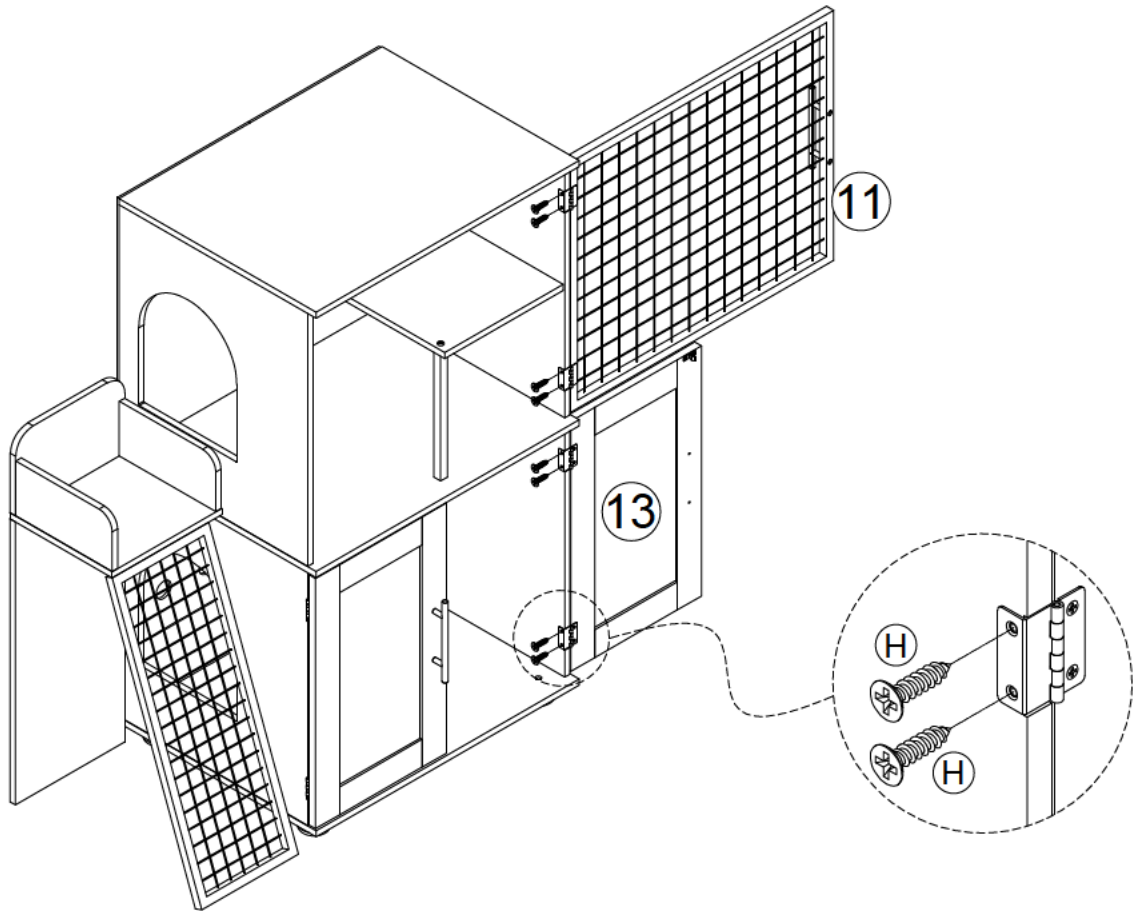
27

(H) x 4pcs



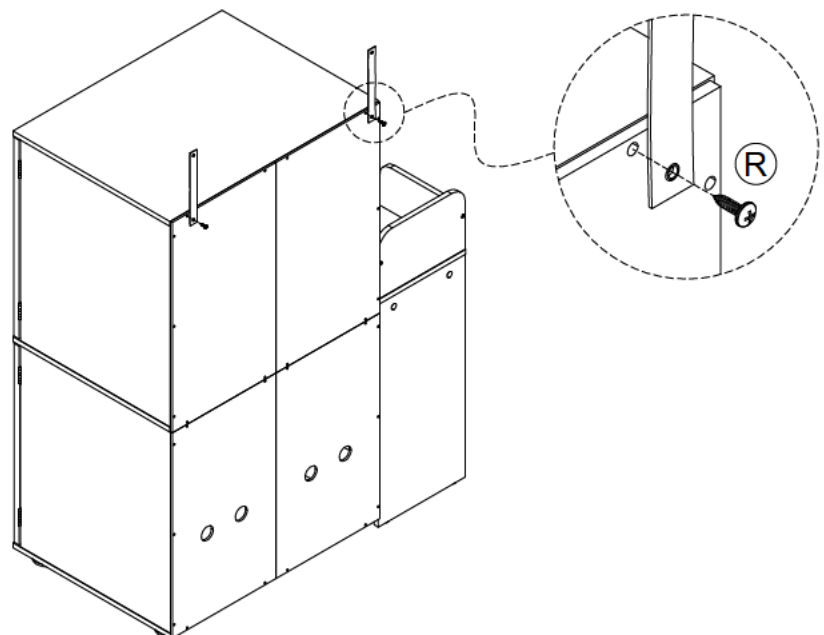
28

Ⓜ x 8pcs



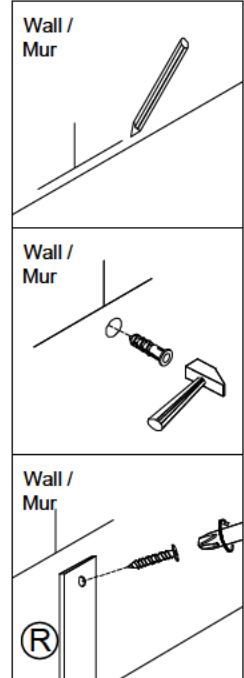
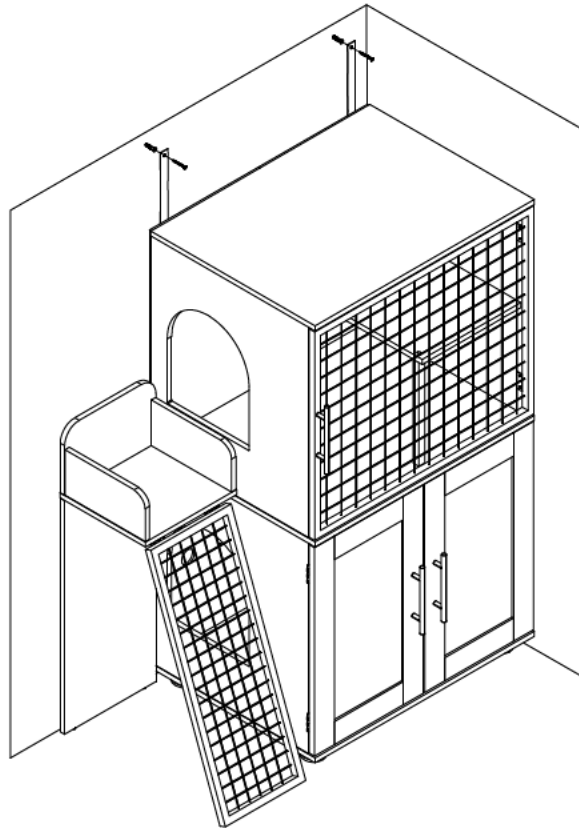
29

Ⓜ x 2pcs

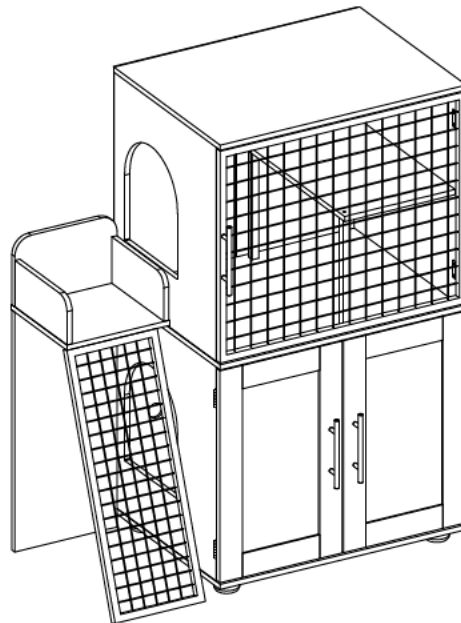


30

Ⓡ x 2pcs



31



When the door gap is uneven, please adjust the lever foot #M. This will solve the issue of uneven door gaps.