

309-131B

Tel: 828-728-3261  
www.americandrew.com

## TOOLS REQUIRED:

None

## BEFORE YOU START:

1. Check the parts against the parts list to make sure all items are present.
2. Assemble your furniture on a soft, flat surface to avoid scratching the finish.
3. **CAUTION:** Do not over tighten screws, nuts or bolts during assembly.
4. Your furniture may require occasional tightening.

## INSTRUCTIONS:

1. Lay the dresser on it's back on flat, clean and soft surface.
2. Attach feet to the bottom frame by turning them clockwise until tight. As shown in Figure 1.
3. Attach the center leg to the bottom rail by turning it clockwise until tight. As shown in Figure 1.
4. Carefully turn the dresser to its upright position.
5. To level the dresser, please adjust the levelers accordingly. As shown in Figure 2.

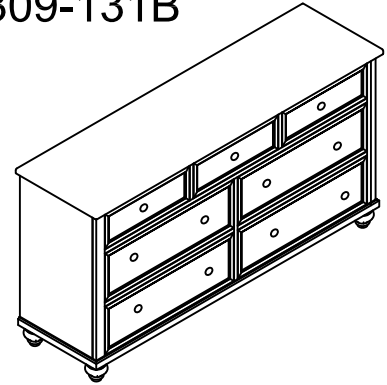


Figure 1

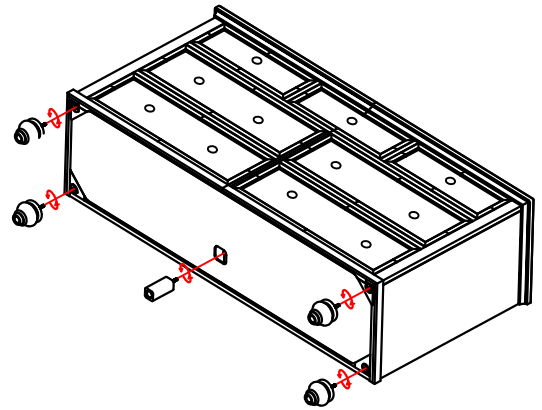
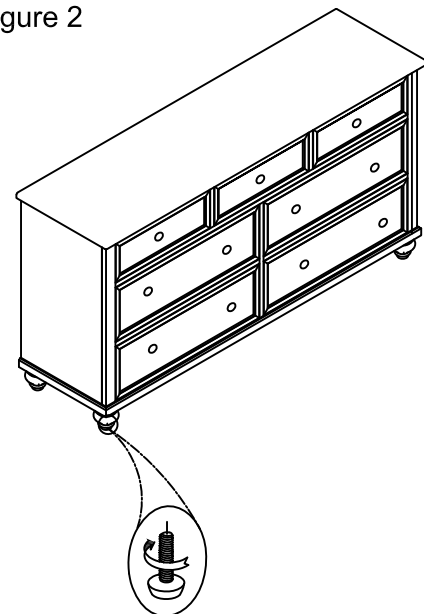


Figure 2



Thank you for purchasing furniture  
from american d r e w!