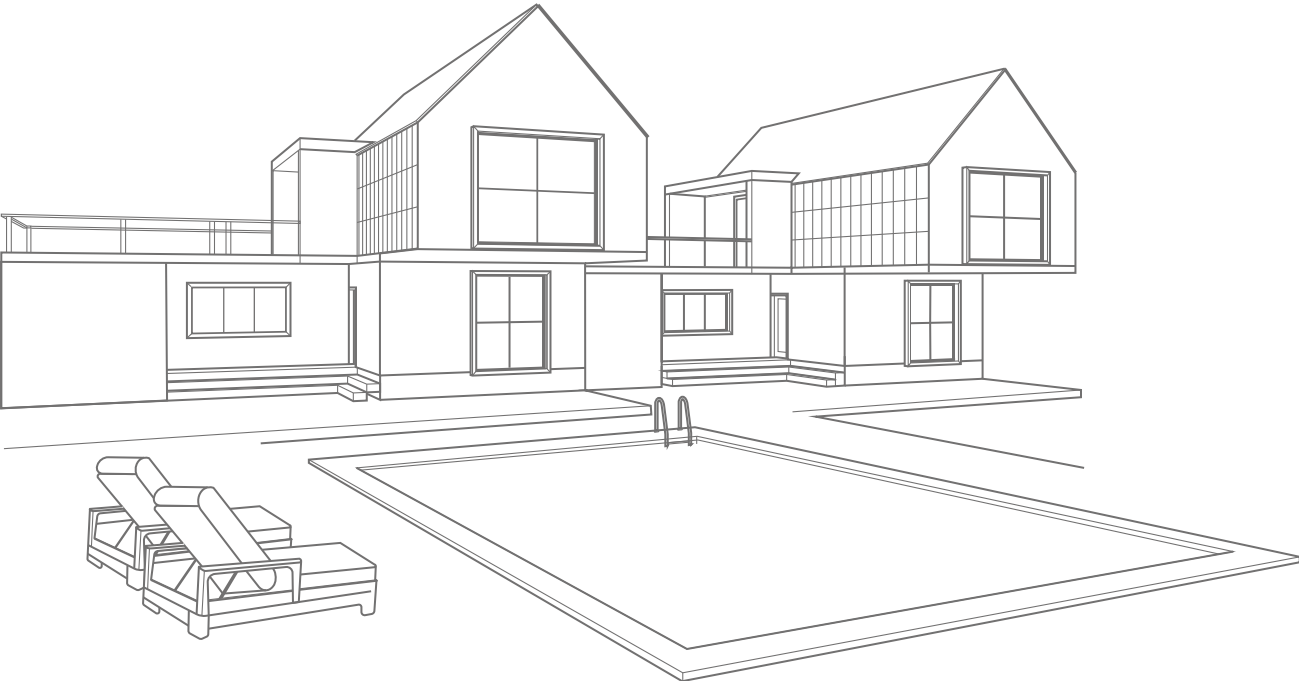
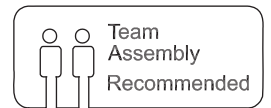
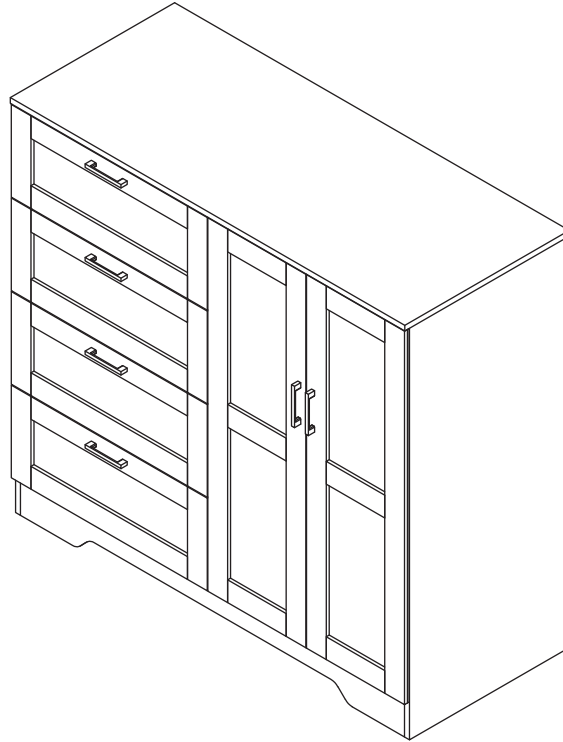


Installation Manual



Installation Manual



Trouble shooting:

Missing / Wrong / Broken parts and installation issues



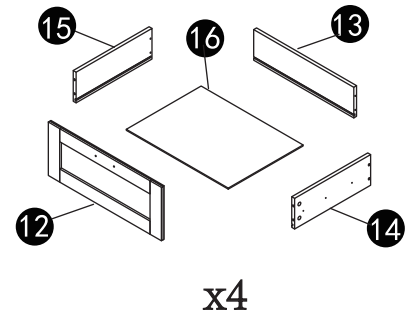
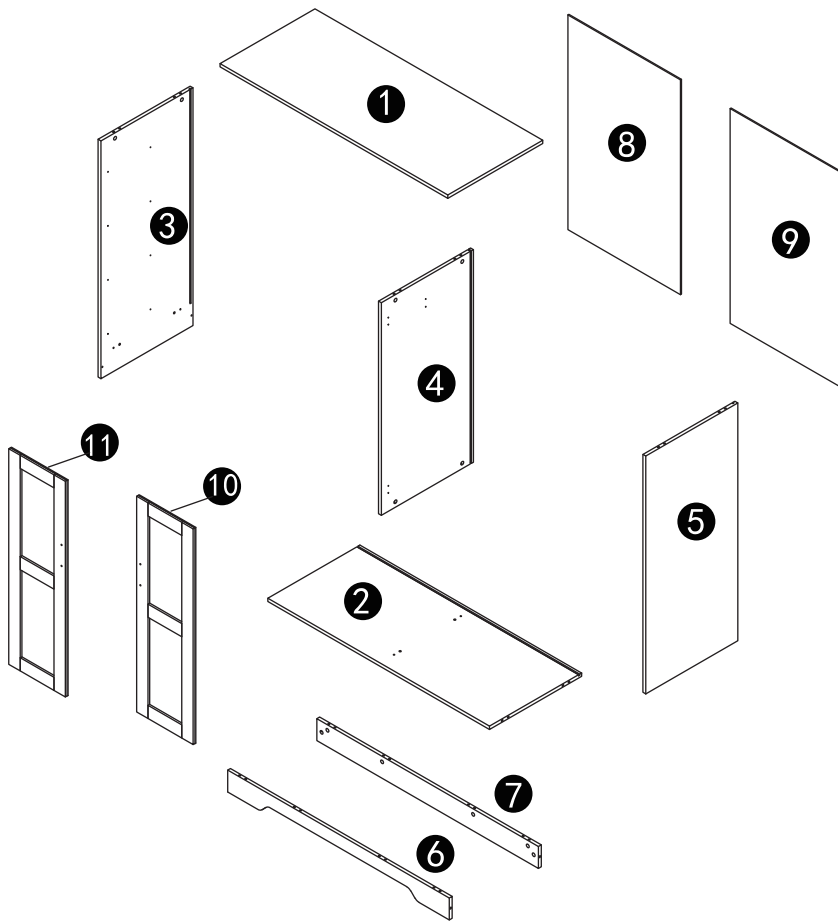
Send email with your question, pic and order NO. to



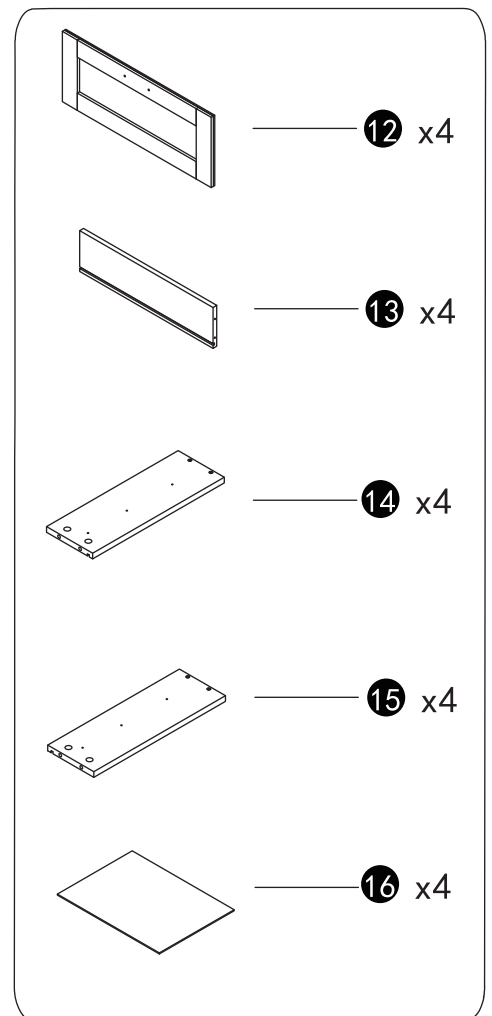
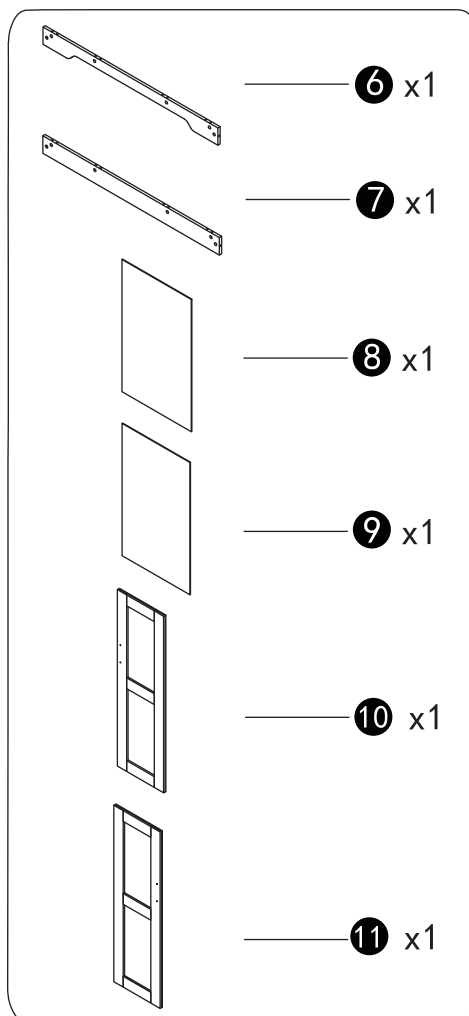
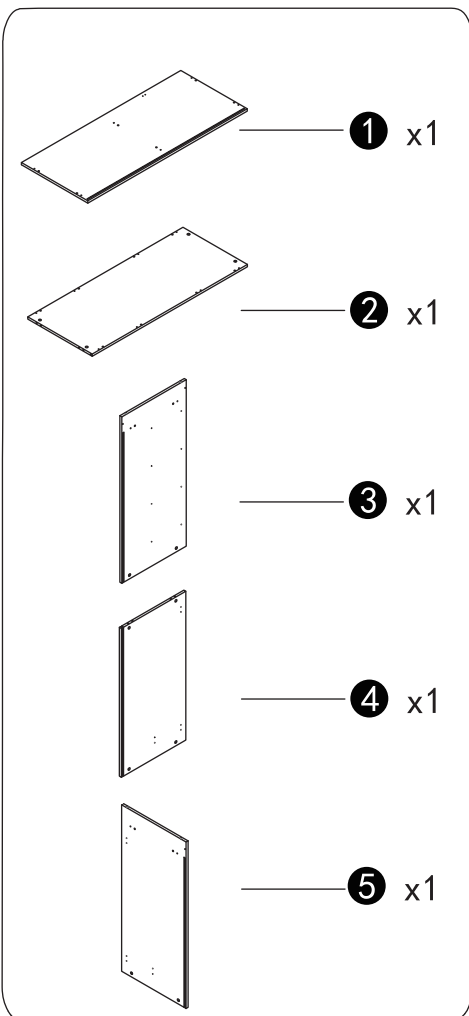
Respond within 24 hours

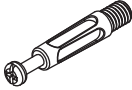



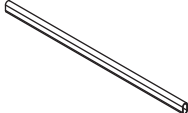

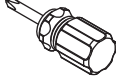



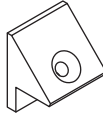
Issue resolved



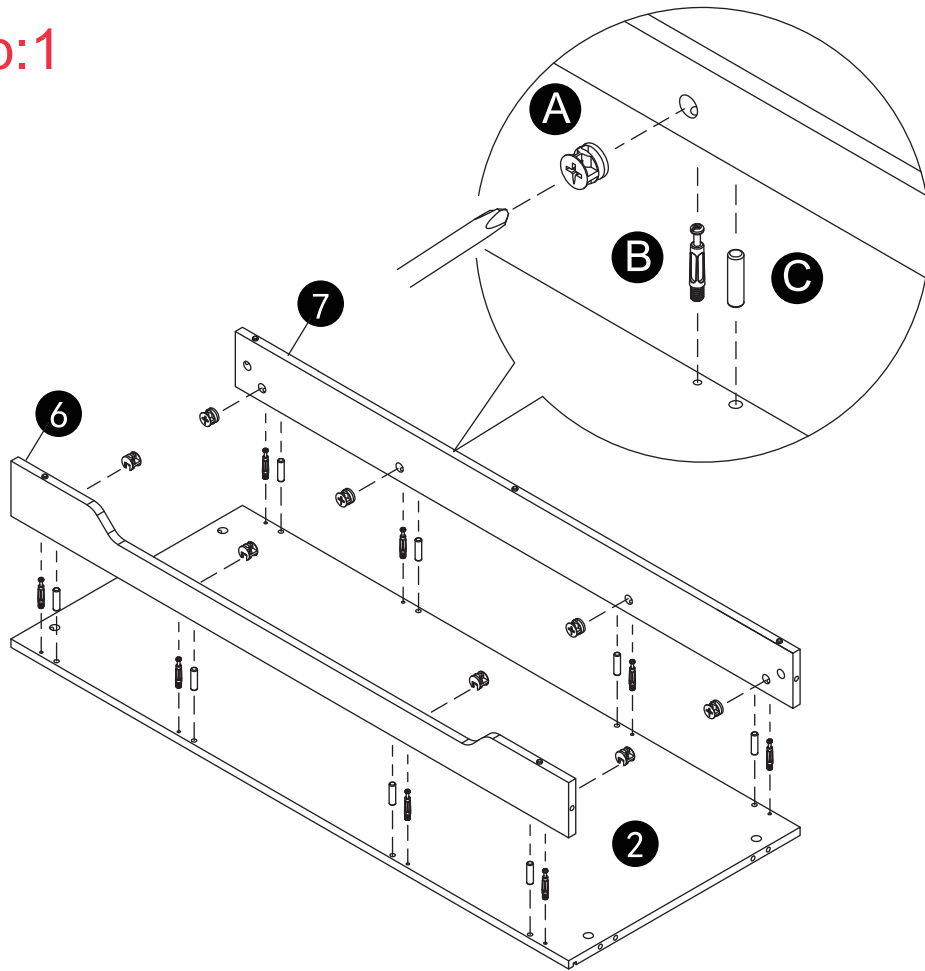
Note: Don't tighten all screws during installation.




A		15x11.5mm	x40
B		M6*8*32mm	x40
C		ø8x30mm	x20
D		M5x40mm	x16
E		ST3.5x14mm	x80
F		M4x18mm	x12
G			x6
H		350mm	x8
J			x4
K			x1

L			x2
M			x1
N		3mm	x1
P			x1
Q		ST4x30mm	x2
R		ø6*30mm	x2
S		20*200mm	x2
T			x8


Step:1

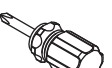


A 15x11.5mm

 8PCS

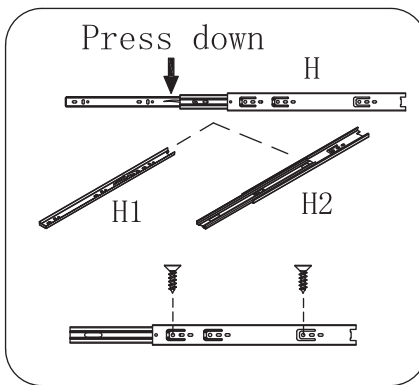
B M6*8*32mm


 8PCS

C ø8x30mm

 8PCS

P

 1PC


Step:2

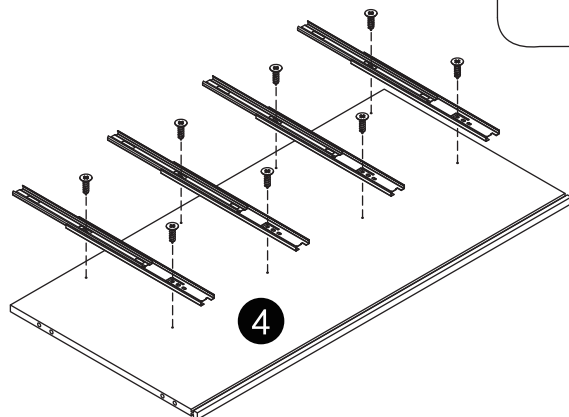
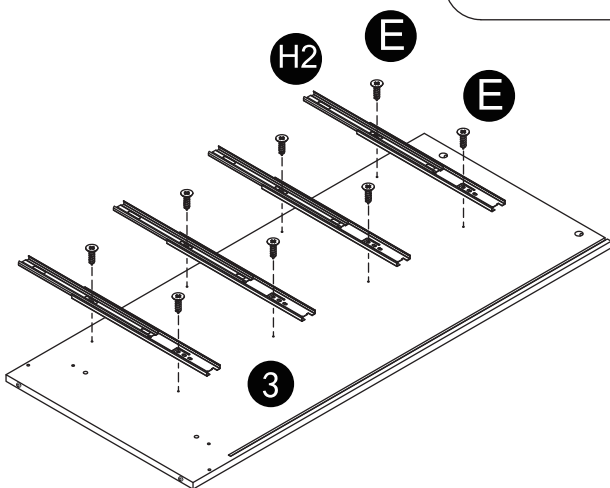


E ST3.5x14mm

 16PCS

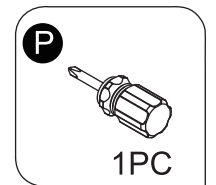
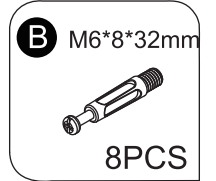
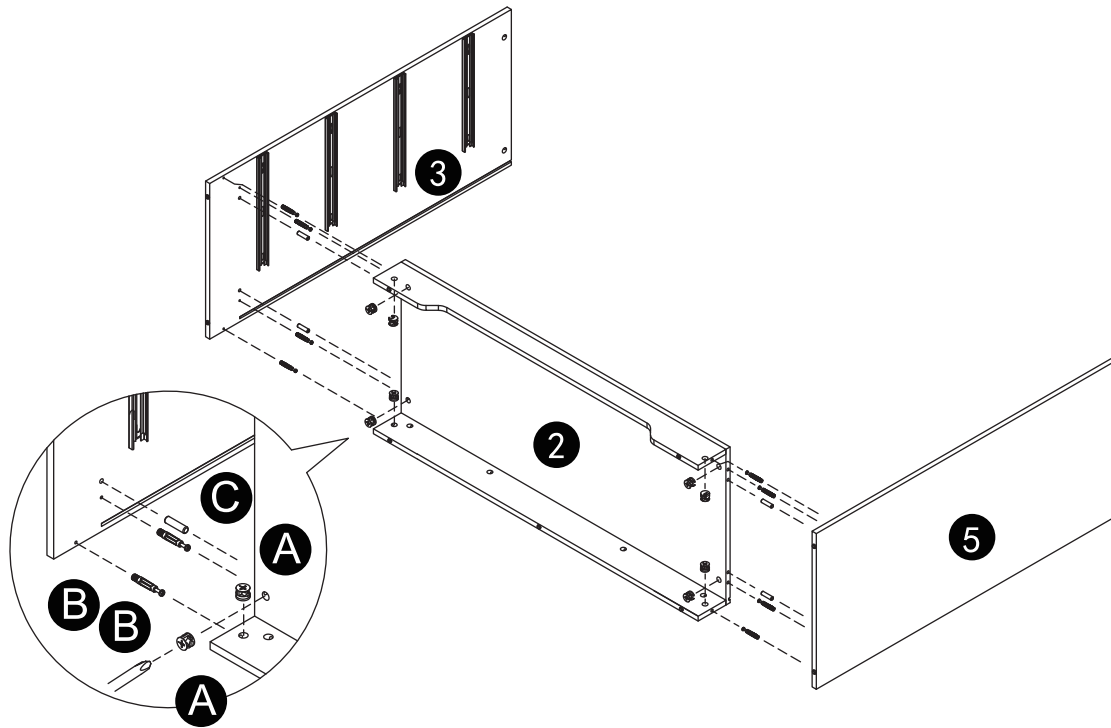
H 350mm

 8PCS

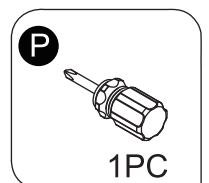
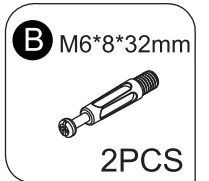
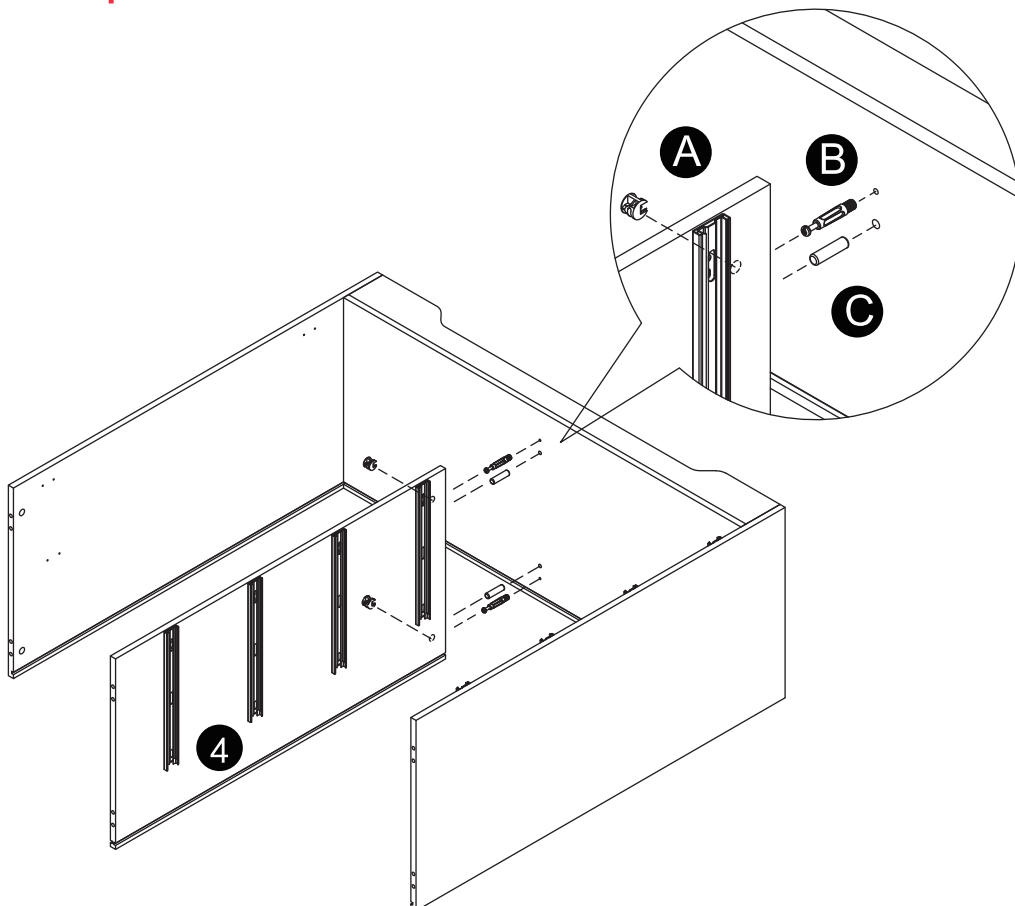
P

 1PC



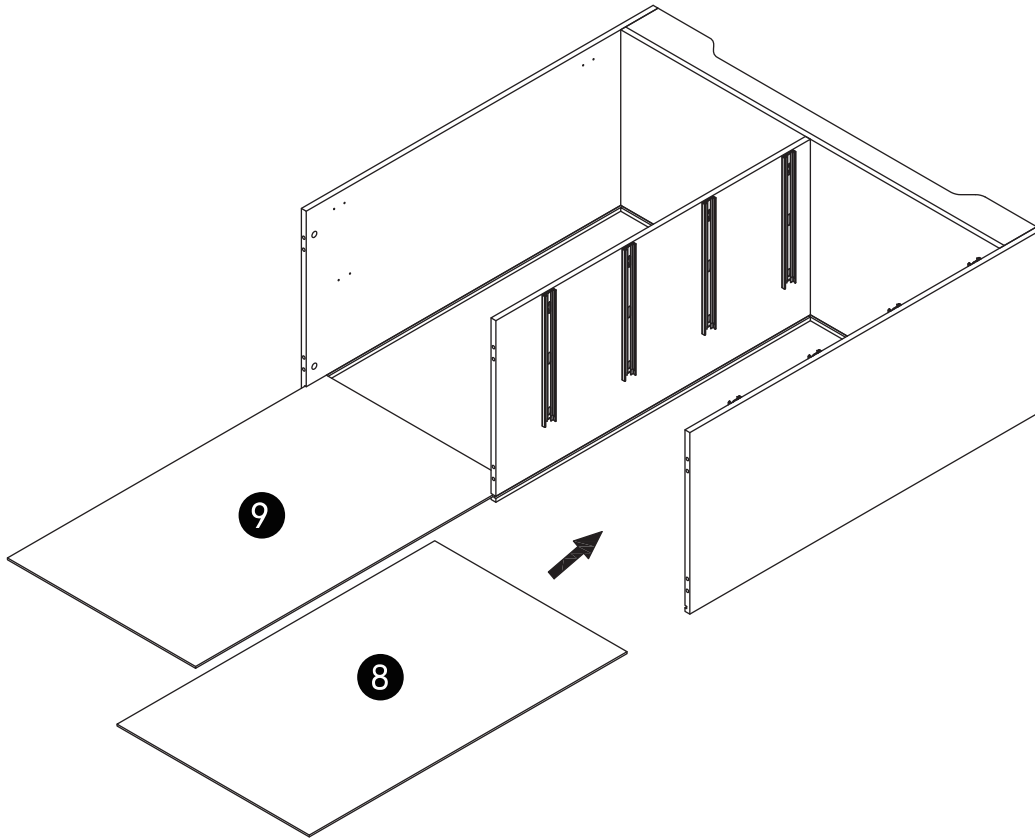
Step:3



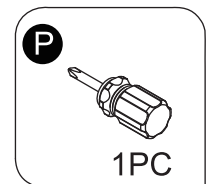
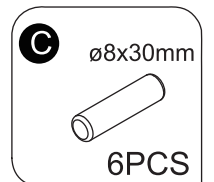
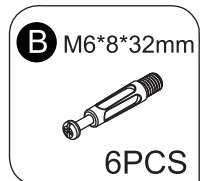
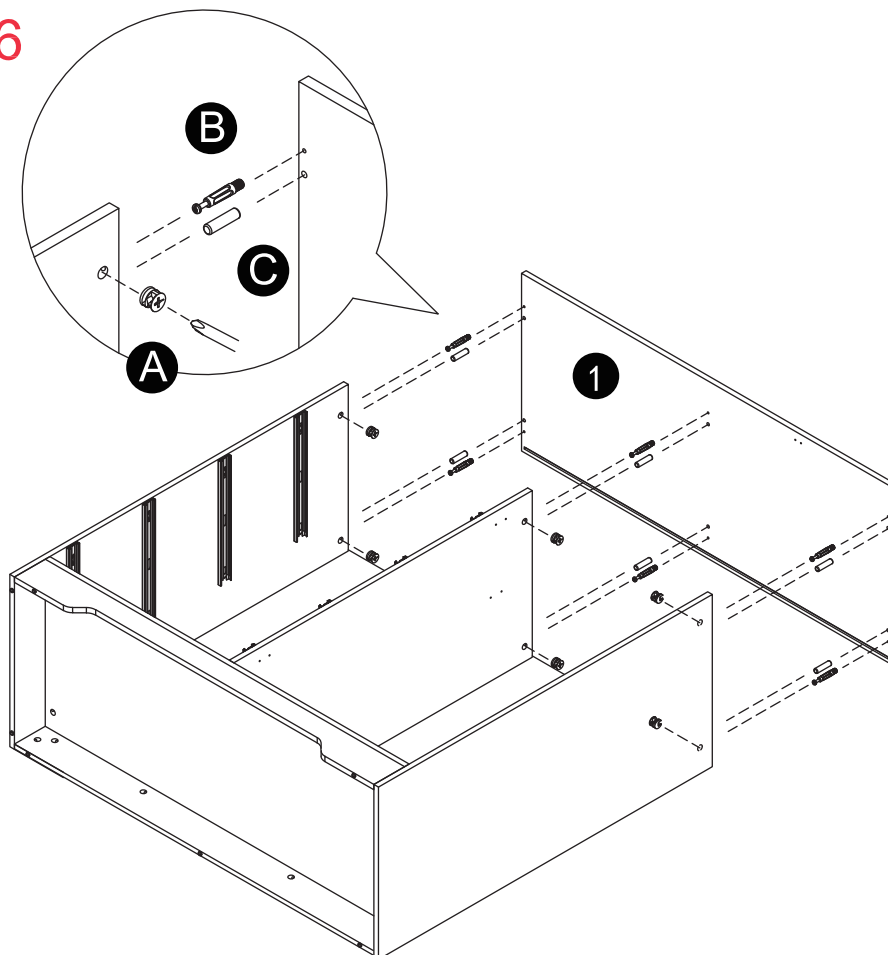
Step:4



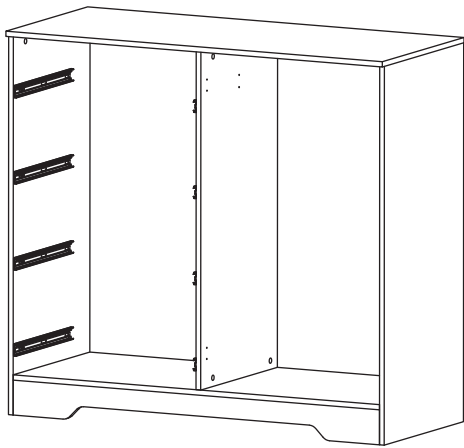
Step:5



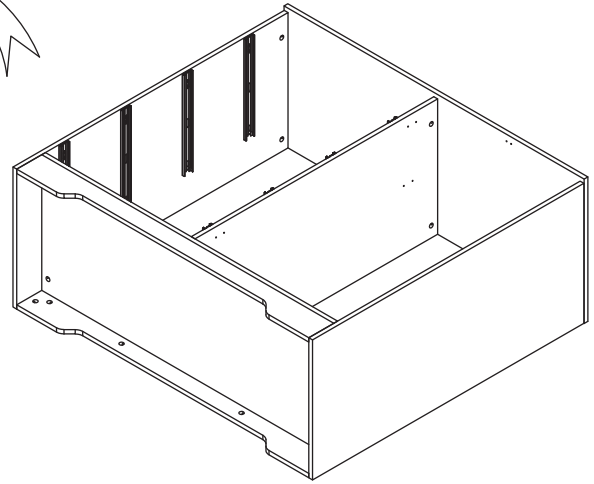
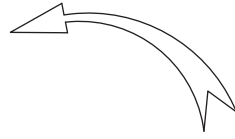
Step:6



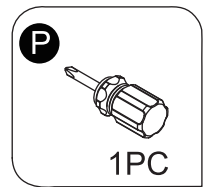
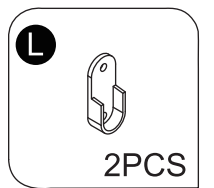
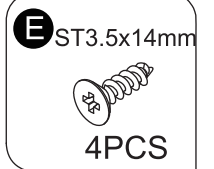
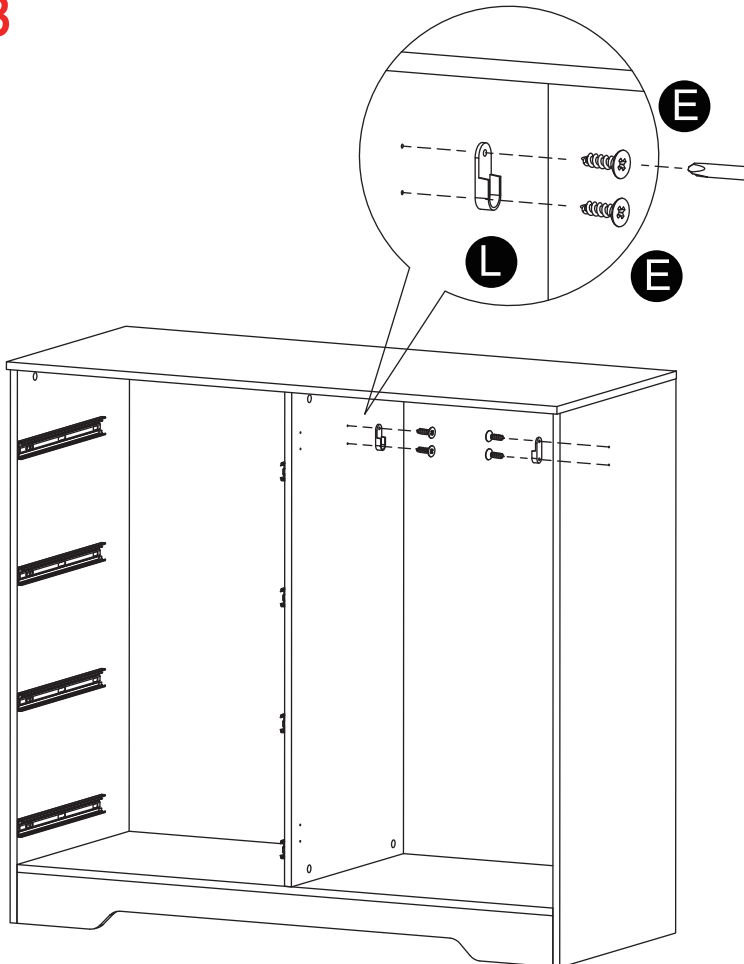
Step: 7



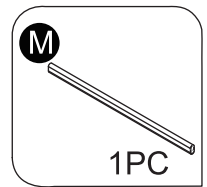
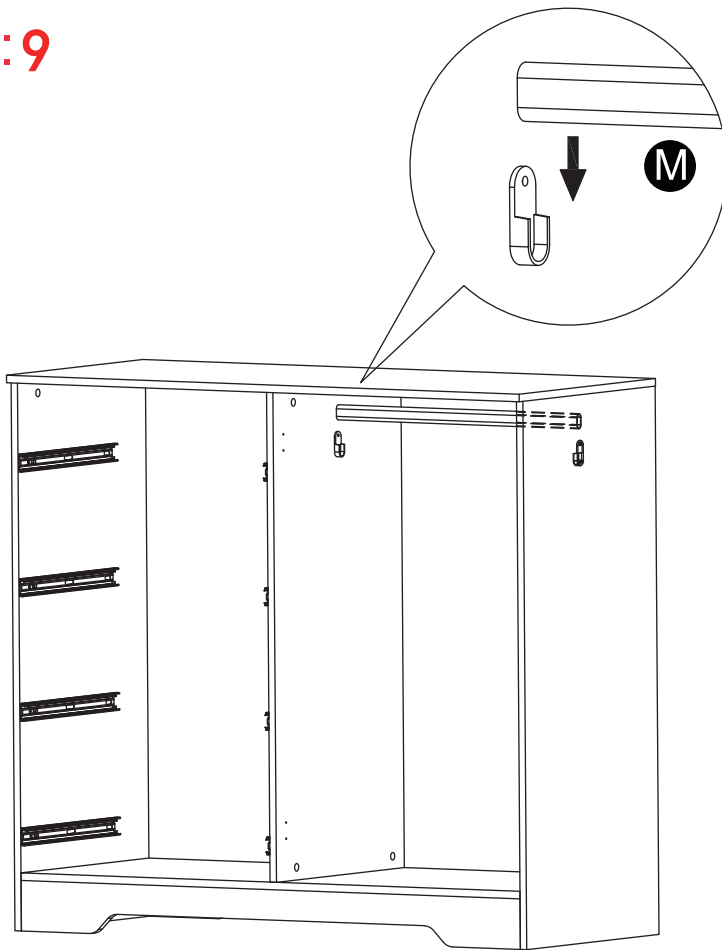
Please lift up



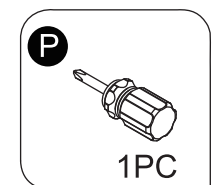
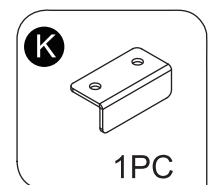
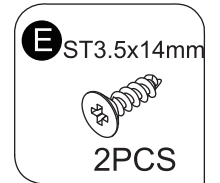
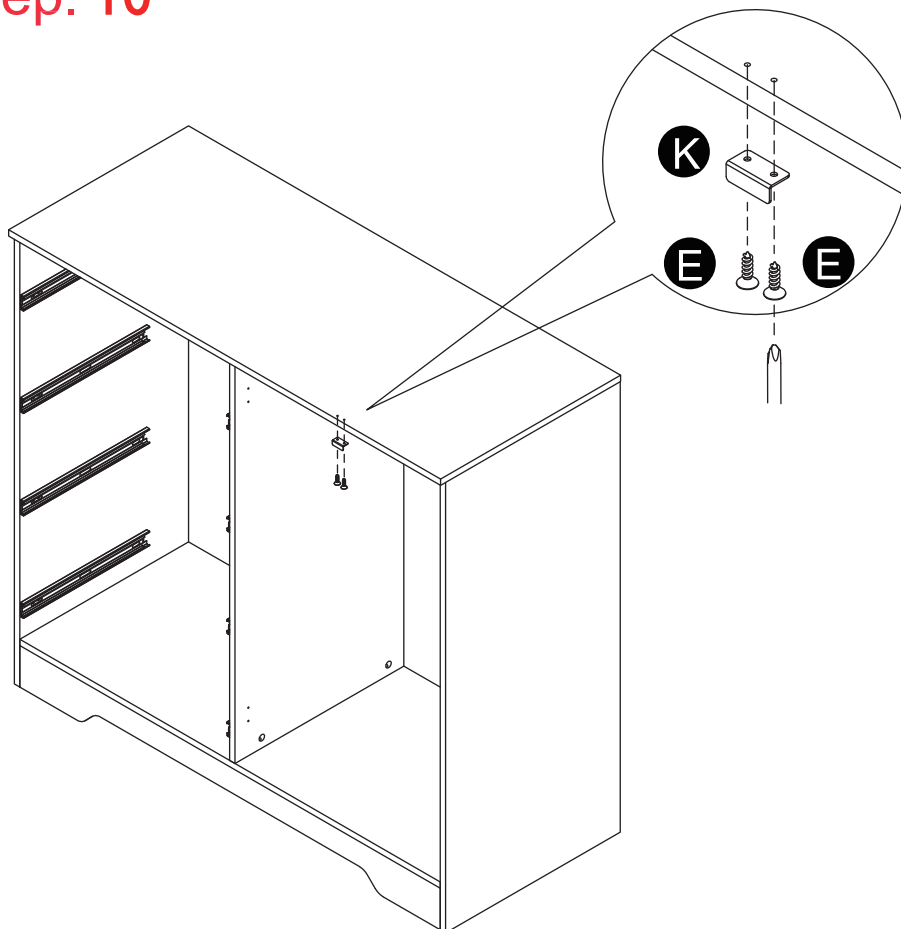
Step: 8



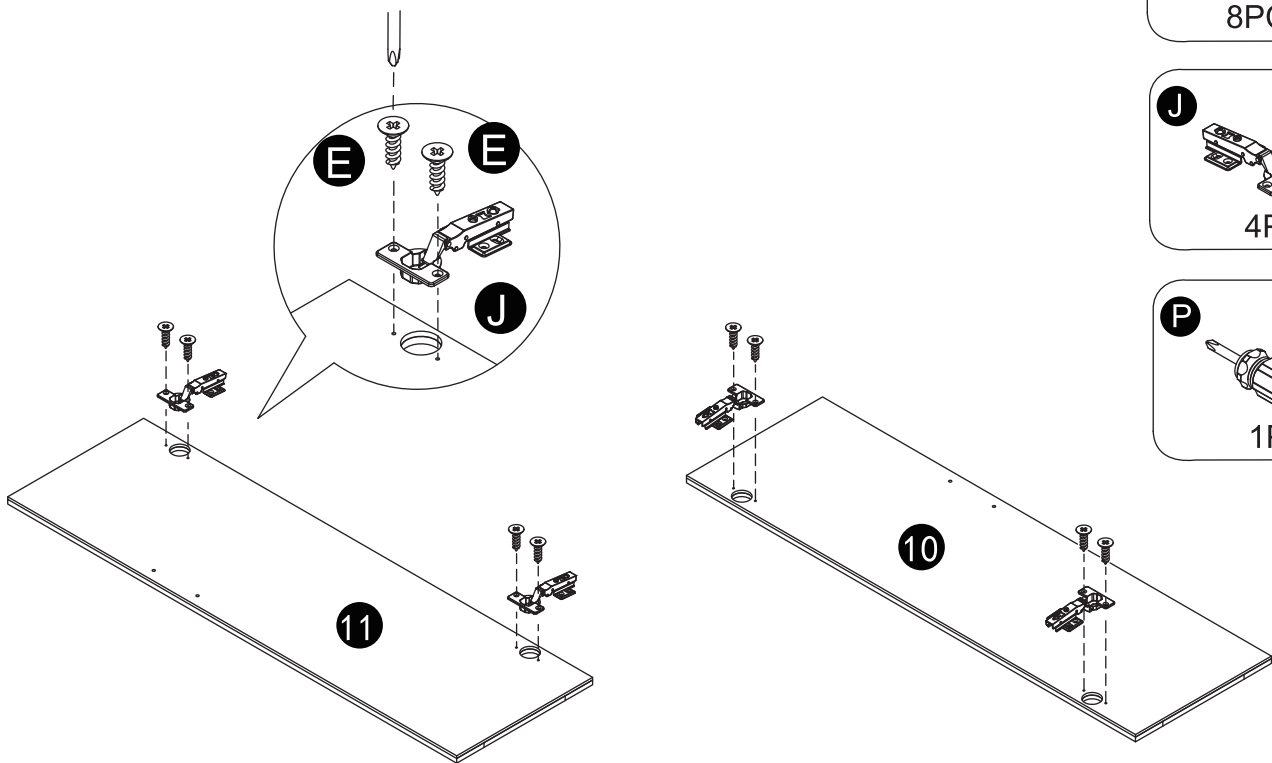
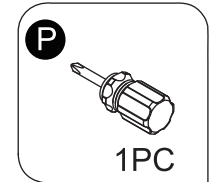
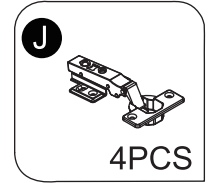
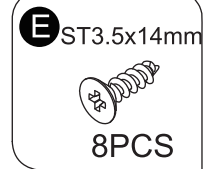
Step: 9



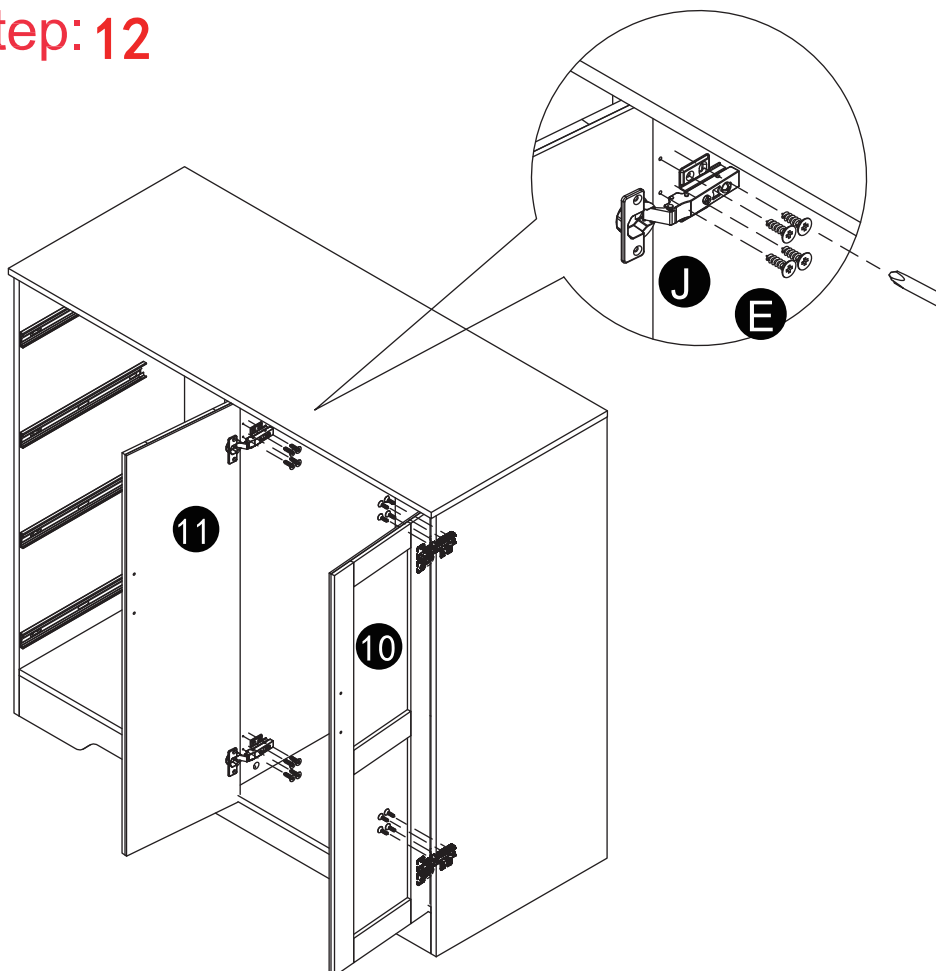
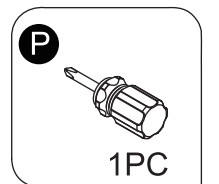
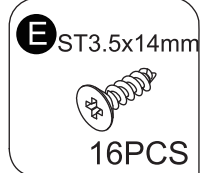
Step: 10



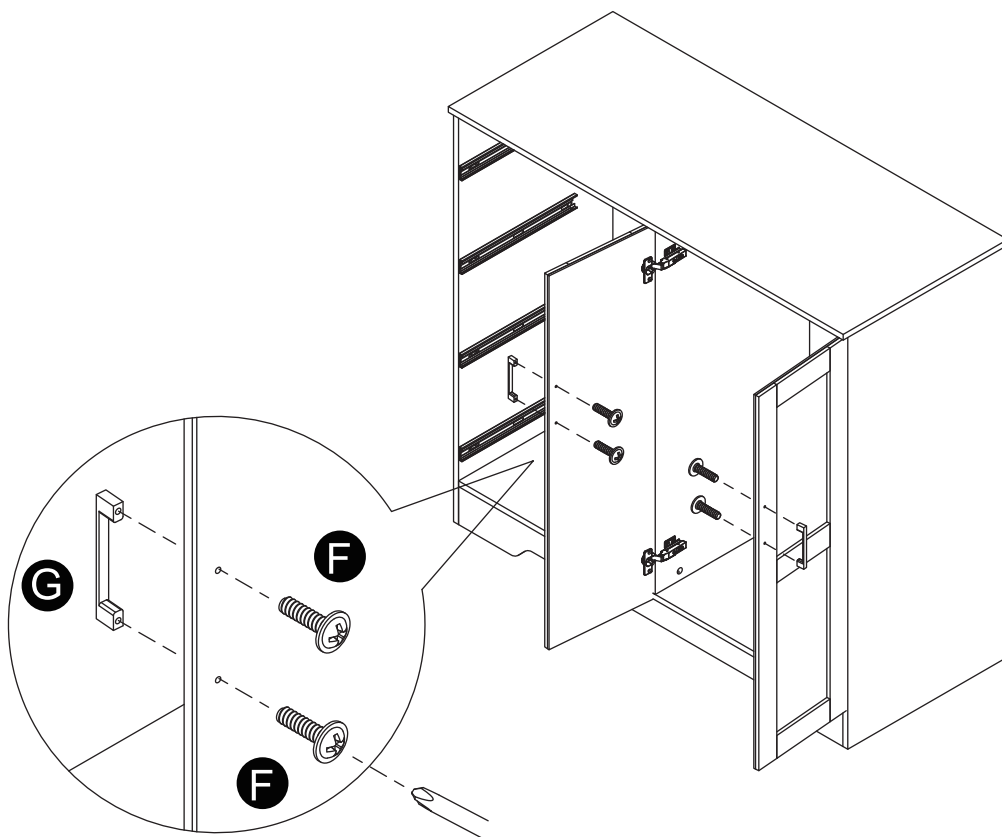
Step: 11



Step: 12



Step: 13

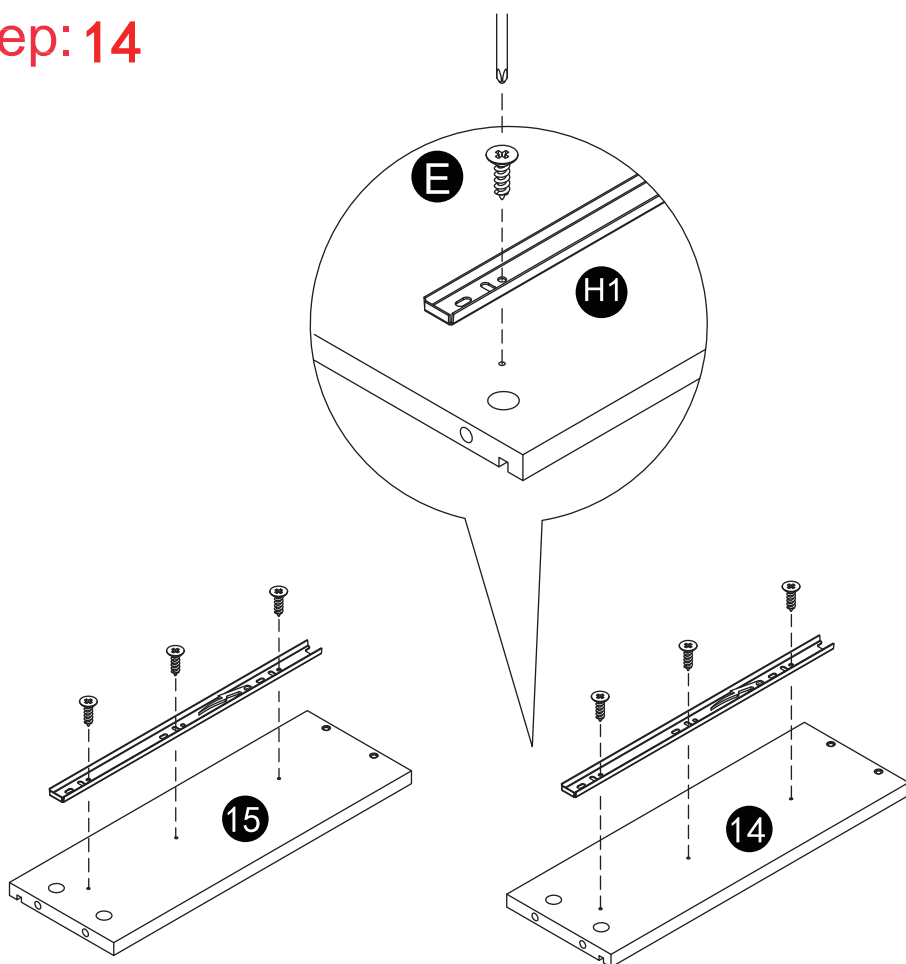


F M4x18mm
4PCS

G
2PCS

P
1PC

Step: 14



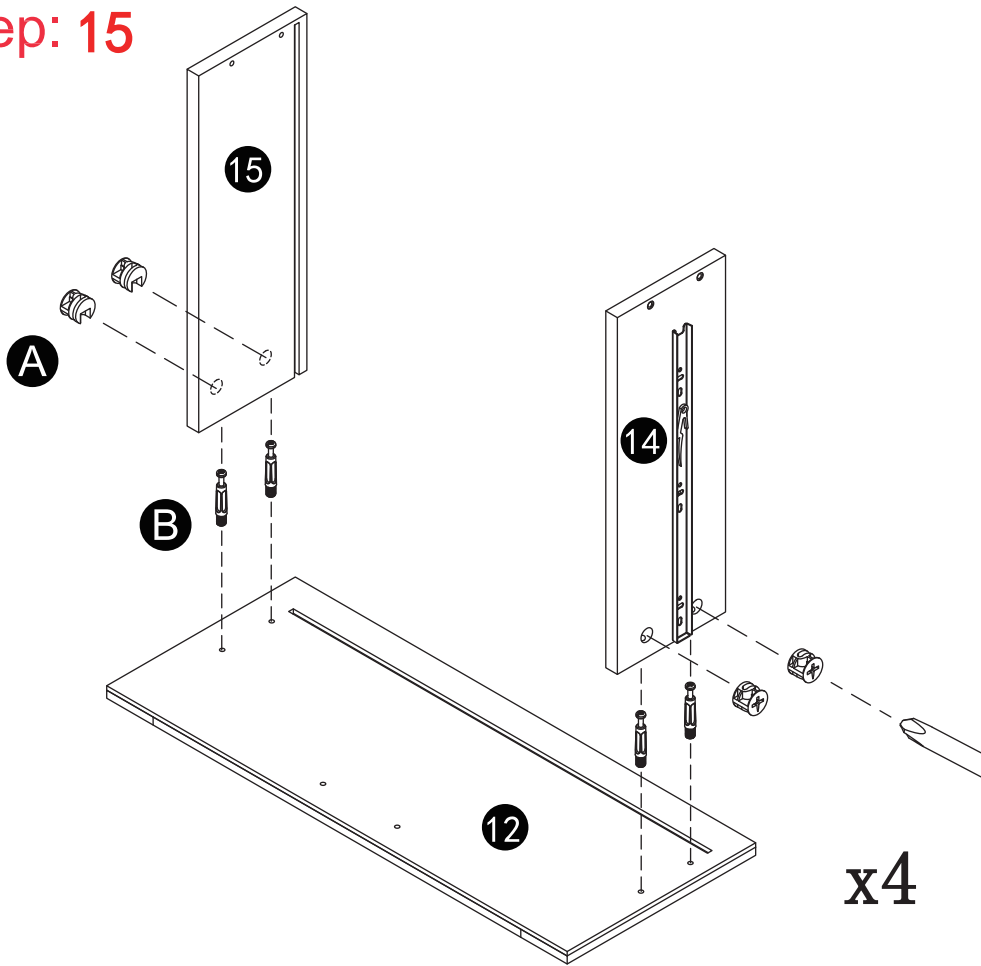
E ST3.5x14mm
24PCS

H1 350mm
8PCS

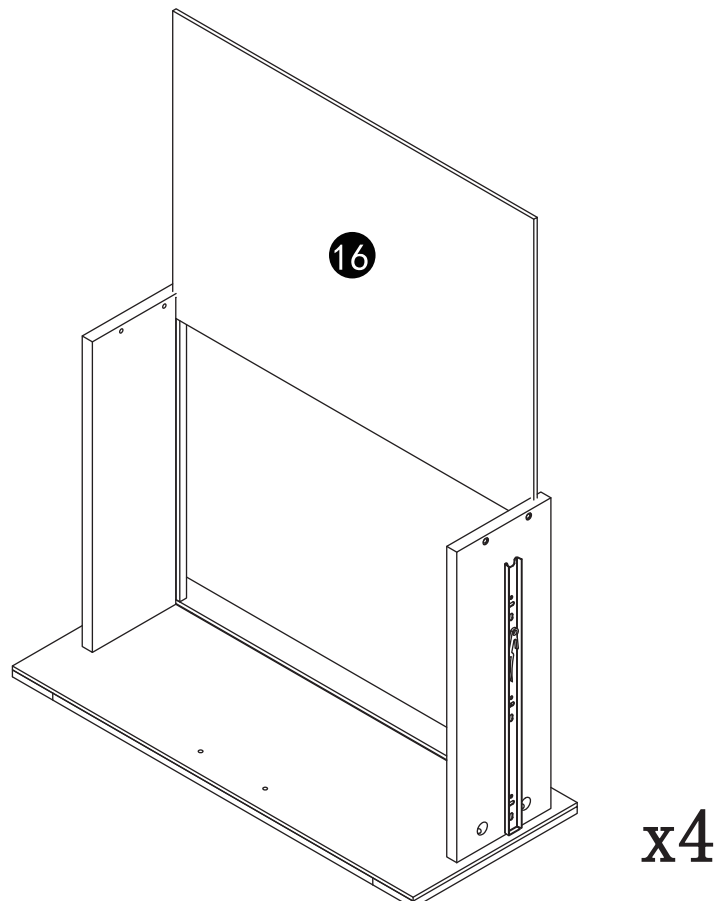
P
1PC

x4

Step: 15



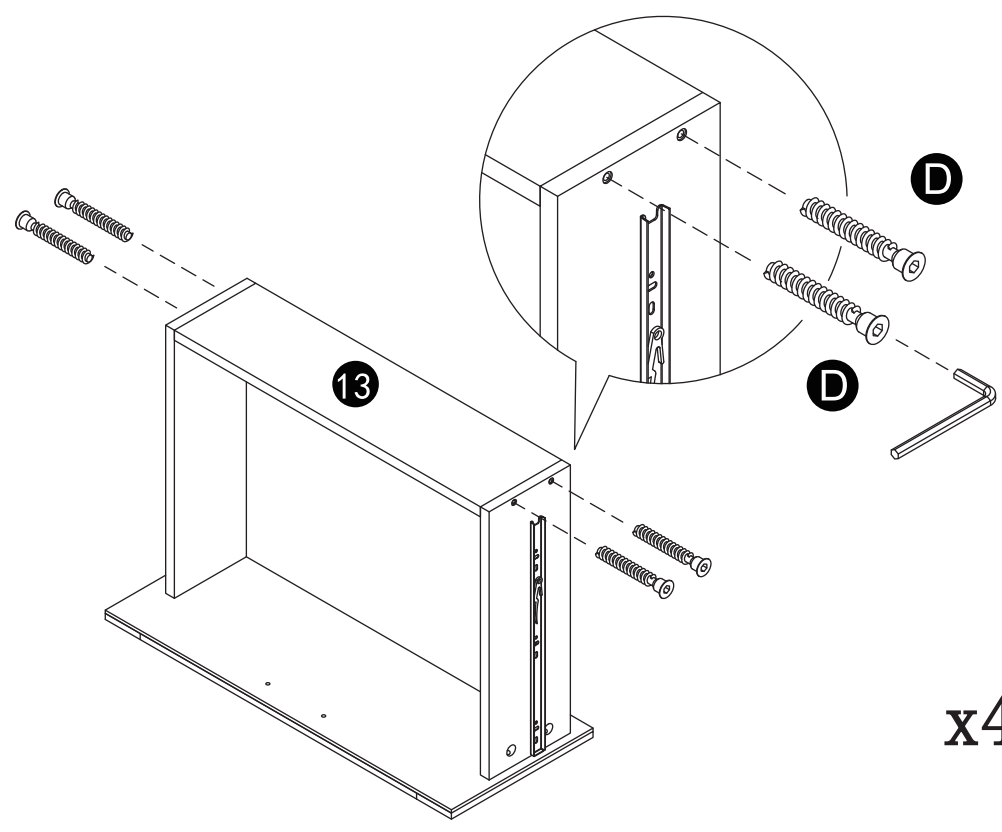
Step: 16



Step: 17

D M5x40mm
16PCS

N 3mm
1PC



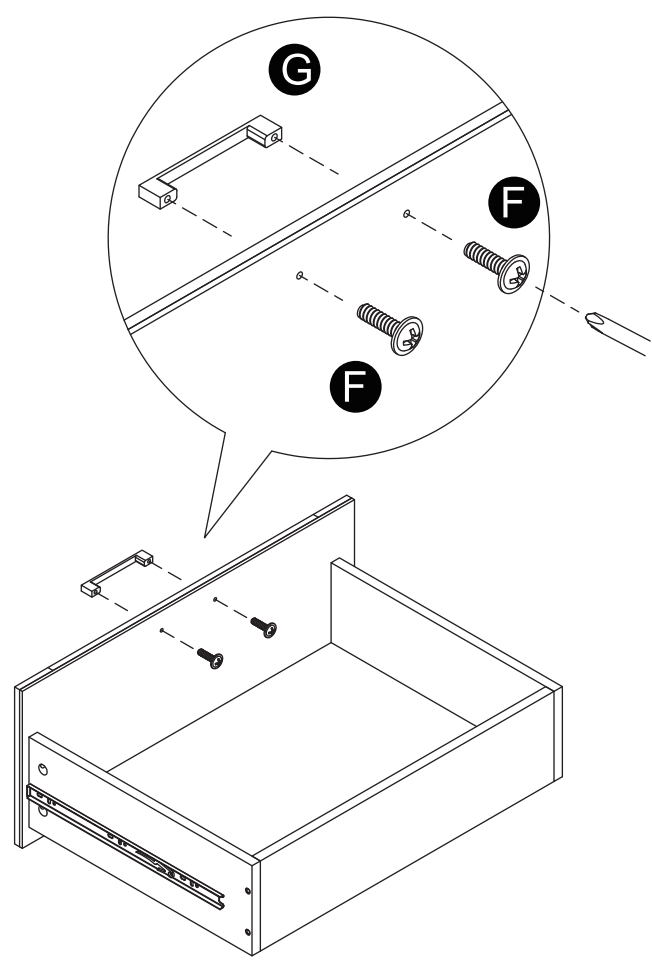
x4

Step: 18

F M4x18mm
8PCS

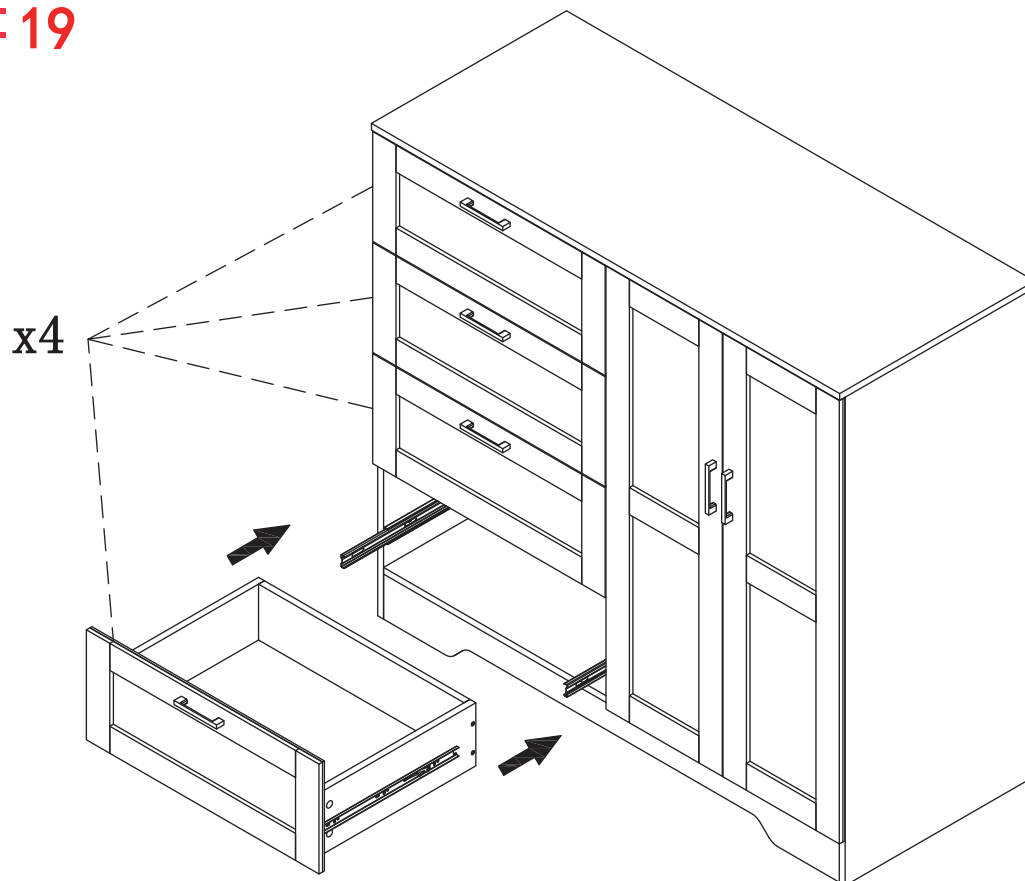
G
4PCS

P
1PC

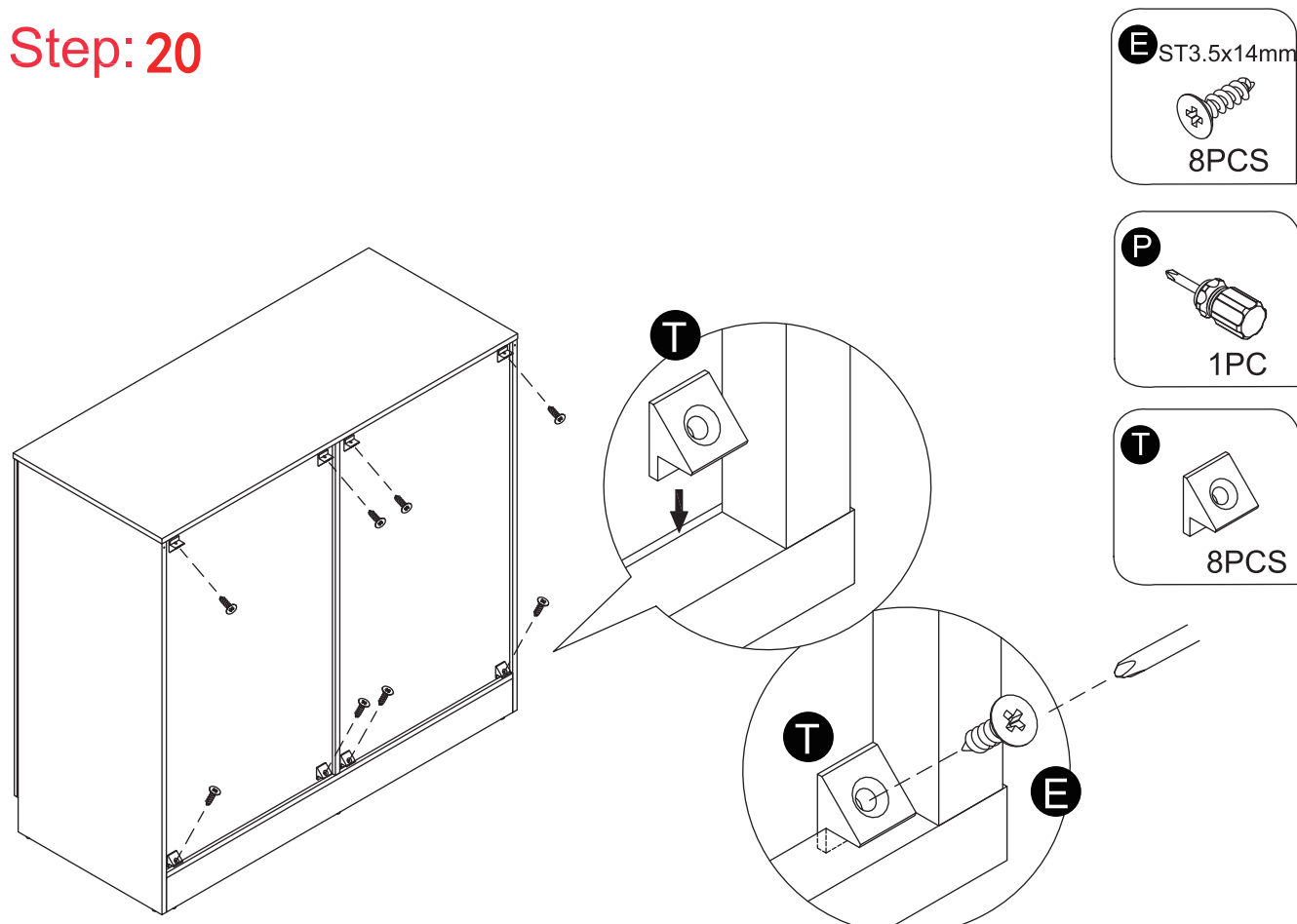


x4

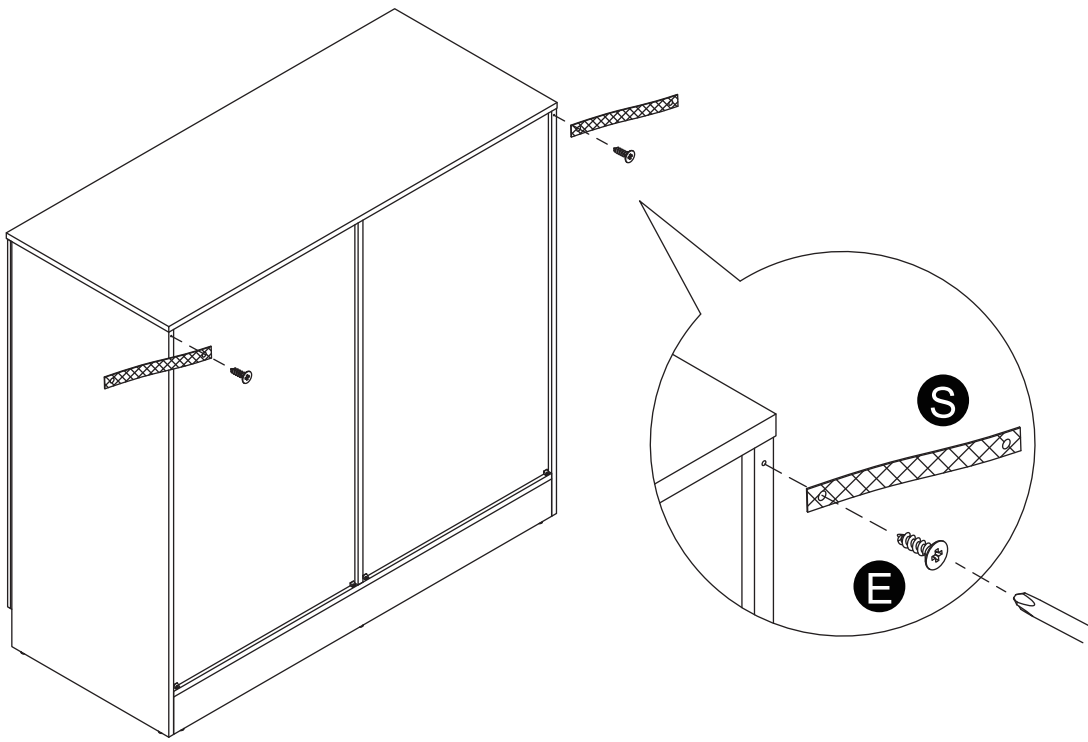
Step: 19



Step: 20



Step: 21



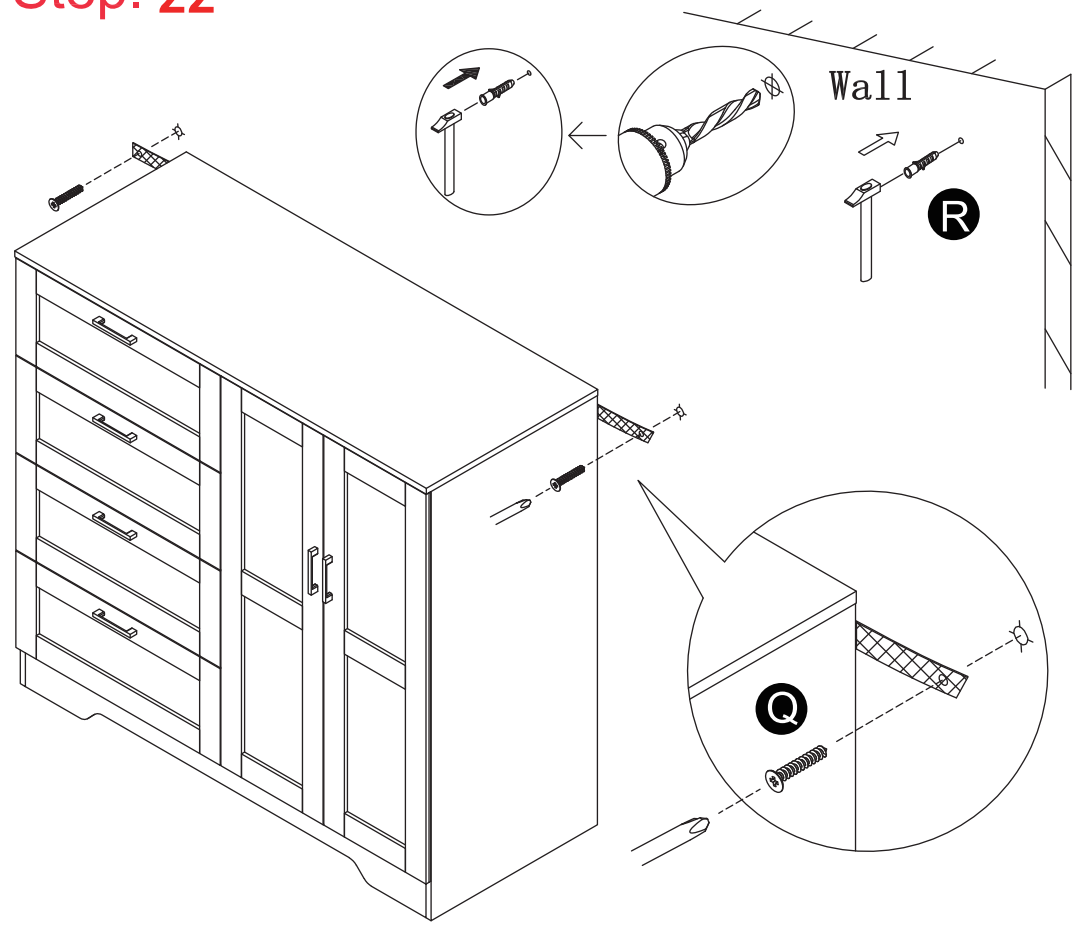
E ST3.5x14mm
2PCS

P
1PC

S 20*200mm
2PCS

Note:Pls check and tighten all screws.

Step: 22



P
1PC

Q ST4x30mm
2PCS

R ø6*30mm
2PCS

IMPORTANT SAFETY INFORMATION

Please carefully read the instructions and caution warnings below before assembling the product. Following this guide will ensure that you install, use and maintain the product properly.

- Please keep this installation and user manual/instructions for future reference in case you need to assemble the product.
- Do not assemble if you notice serious damage such as cracks or bends.
- During installation, please use work gloves for hand safety.
- Please assemble the unit on carpeted floor or the flat cardboard box to avoid scratching the surface or your floor while assembling on the floor.
- To assemble, please use the complimentary installation tools (Allen Wrench). Pay more attention to the direction of components at each steps.
- It is recommended that two people work together to assemble the product.
- Please do not tighten the screws up too much, just to 80% before you finish to make the installation go on successfully.

RETURN POLICY

We believe you will absolutely love your new product. But for some reason you want to return your item, please contact us within 30 days after receiving and ensure that the product which you want to return is in a good condition in the original box with all original certificates of purchase, manuals and accessories attached.

HOW TO MAINTAIN YOUR PRODUCT:

- Check the screws of the product are not loose from regular use.
- Do not use sharp instruments, rubbing alcohol, corrosive chemicals, or abrasive cleaners to clean the product.
- Do not keep the product in a damp environment for a long period of time. The damp environment may cause the iron components to rust and the plates to bulge and crack.