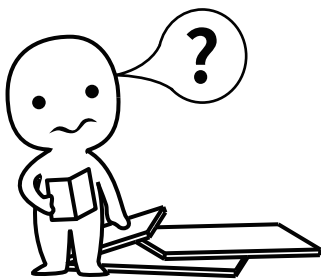


INSTALLATION

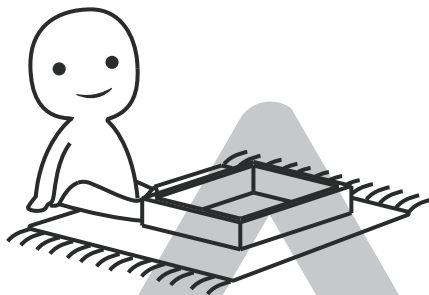
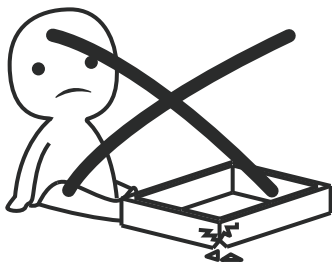
Product Manual

Version: 210264-01-24A-PF



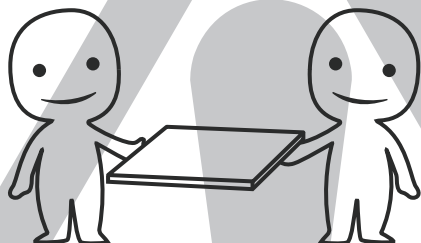
IMPORTANT INFORMATION!

please read the entire manual before starting to assemble and/or using this product. follow the manual thoroughly and keep it for further reference.



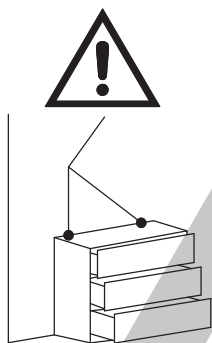
AVOID SCRATCHES!

In order to avoid scratching this furniture should be assembled on a soft layer- could be a rug.



IMPROVE EFFICIENCY !

Try to find a partner to install with you, which can speed up the installation efficiency and shorten the time.



ANTI-TOPPLE WARNING !

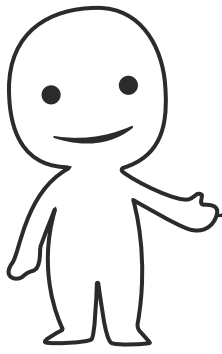
Overturnd furniture can cause serious or fatal crush injuries. To prevent tipping over, be sure to use the wall attachment, if not included with this product. Please purchase the wall attachment that fit your wall. If unsure, seek professional advice. Please read and follow each step of the instructions carefully.

IMPORTANT !

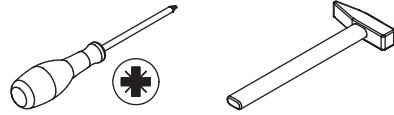
It is important that any product which is assembled using any kind of screw is re-tightened 2 weeks after assembly, and once every 3 months - in order to assure stability through-out the lifespan of the product.

For regular maintenance and cleaning of the product, for the frame, please use a rag dipped in neutral detergent to fully wipe it, and then dry it with a clean rag. For glass materials, wipe with a rag dampened with water glass cleaner, and then dry with a dry rag.

Do not use an electric screwdriver, and do not use too much force when installing, because the board is easy to break.

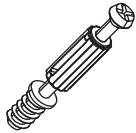


Please prepare the following tools



When installing, please carefully confirm whether each screw corresponds to the manual, accessories with similar shapes can be distinguished by size

A x 104



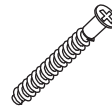
M5 x 42 mm

B x 104



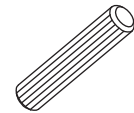
Ø 15 x 10 mm

C x 30



M5 x 40 mm

D x 8



Ø 8 x 40 mm

E x 50



M3.5 x 14 mm

F x 12



M6 x 12 mm

G x 4



M6 x 25 mm

H x 2



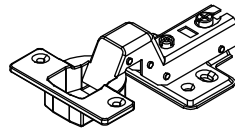
M6 x 55 mm

I x 4



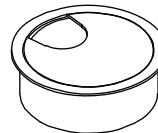
Ø 5

J x 4



DW

K x 1



Ø 60

L x 10



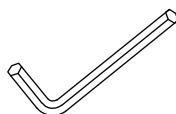
Ø 22 x 1

M x 12

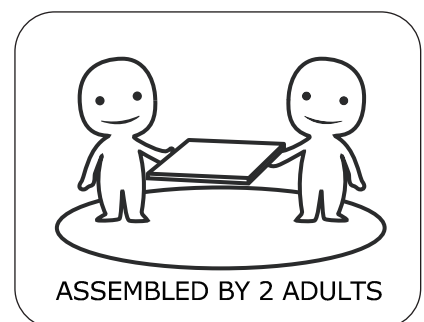
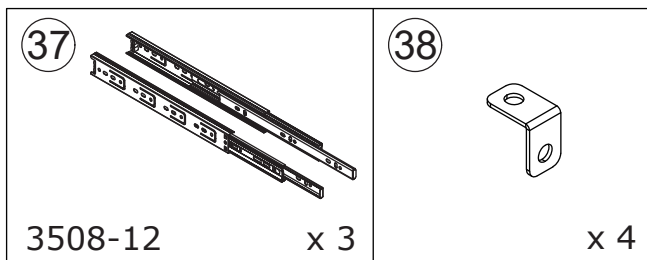
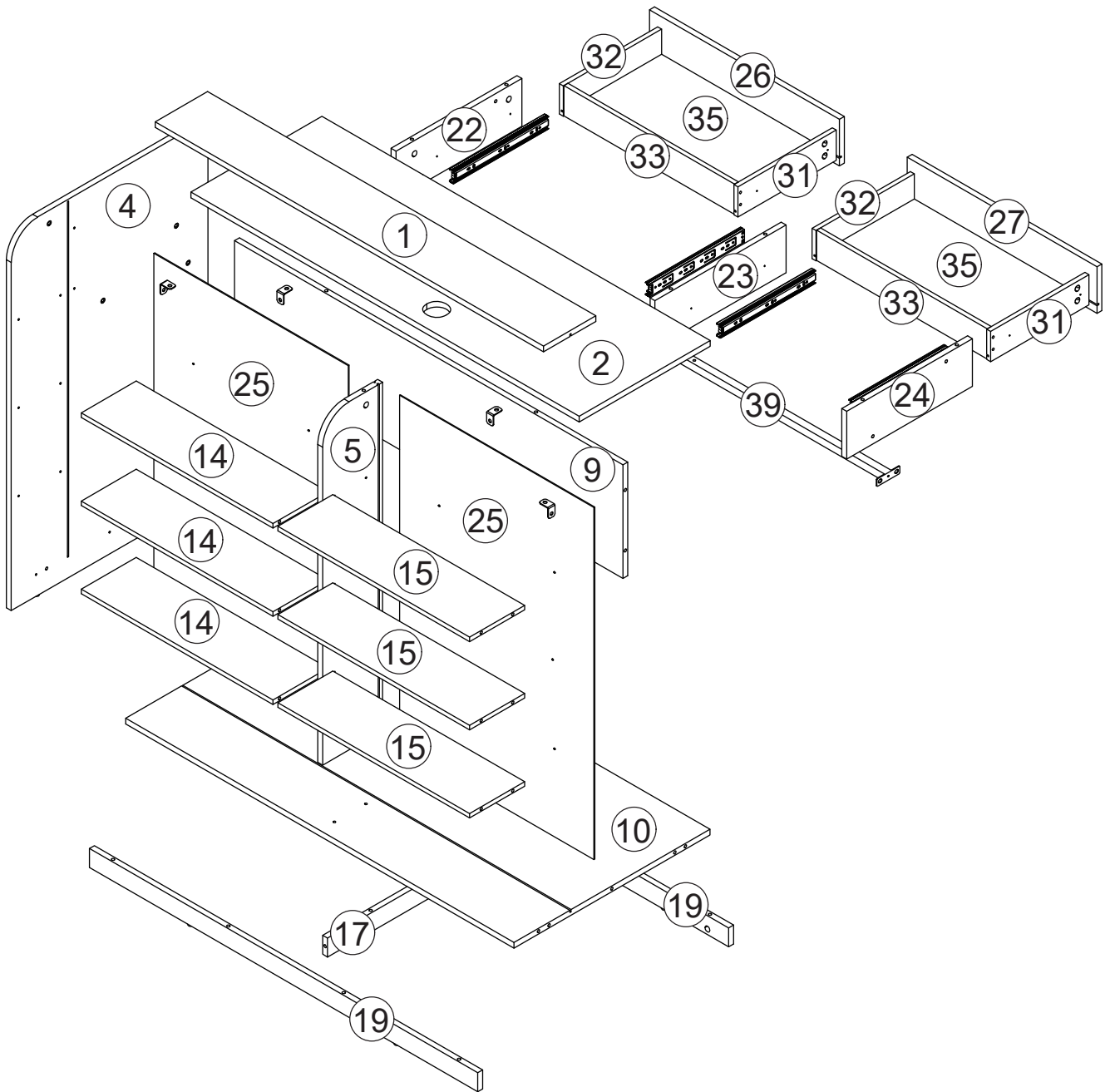


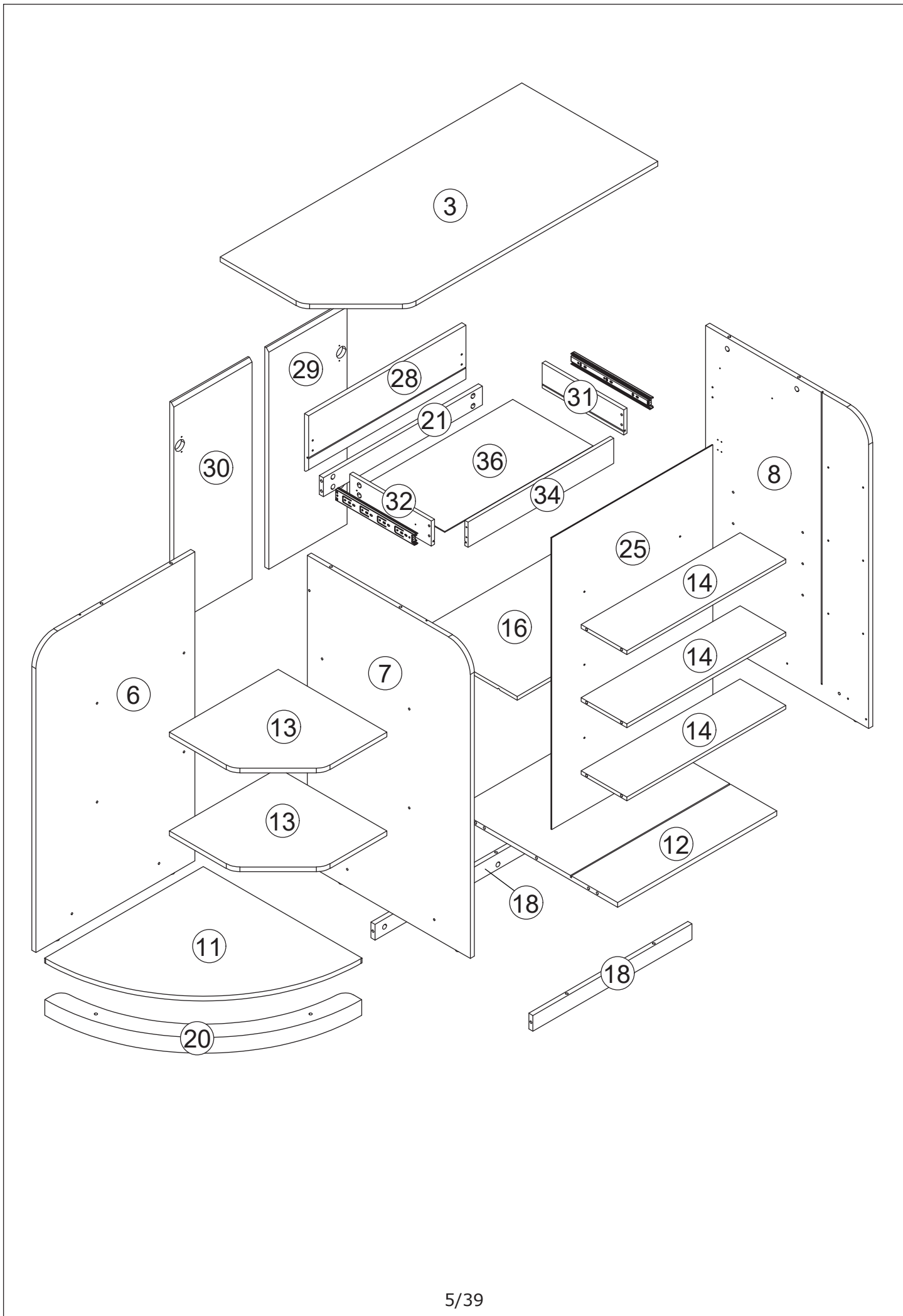
M3.5 x 12 mm

x 1



#4

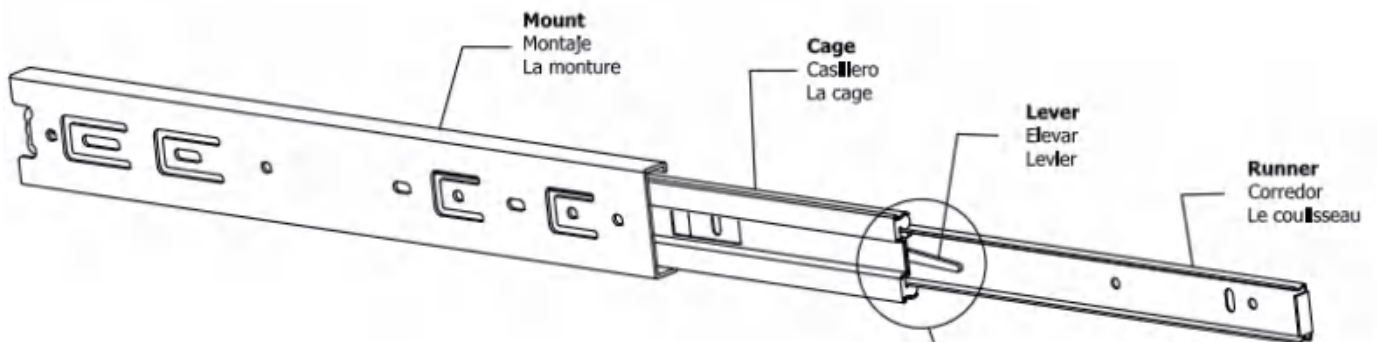




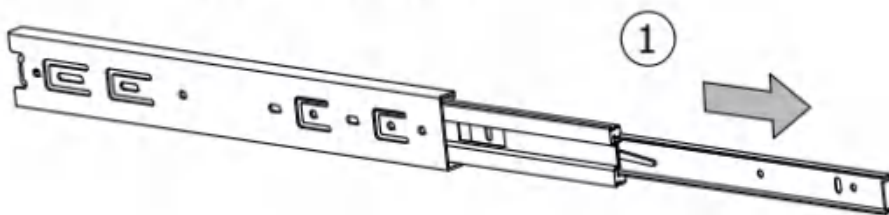
**Slides Must Be Separated Before Assembly.
After Separated, Set Aside Until Needed for Assembly.**

Las diapositivas deben separarse antes del montaje.
Después de la separación, déjelo a un lado hasta que sea necesario.

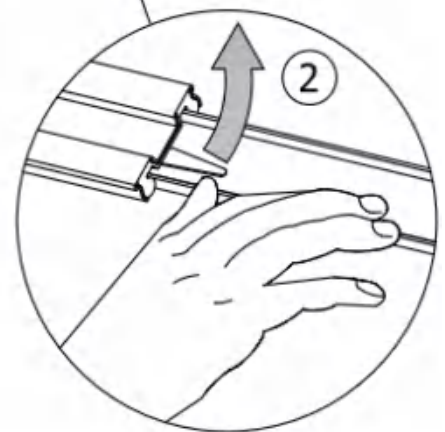
Les glissières doivent être séparées avant l'assemblage.
Après la séparation, mettez de côté jusqu'au moment de l'assemblage.



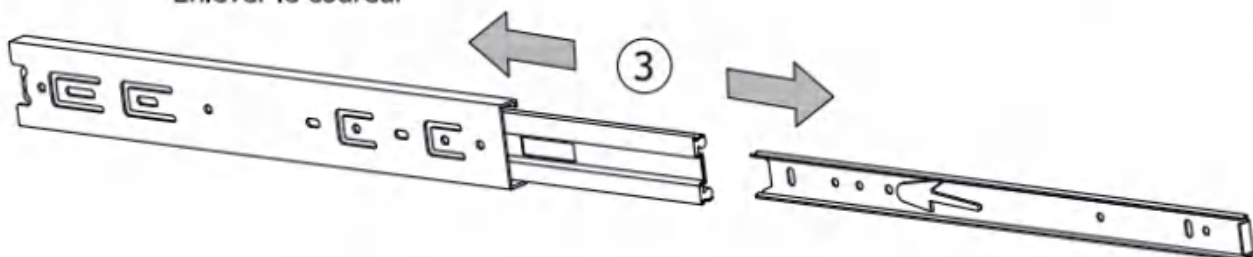
STEP 1: Extend Slide
Extender la diapositiva
Extendre la diapositive



STEP 2: Push Lever UP
Empujar hacia arriba
Lever le levier



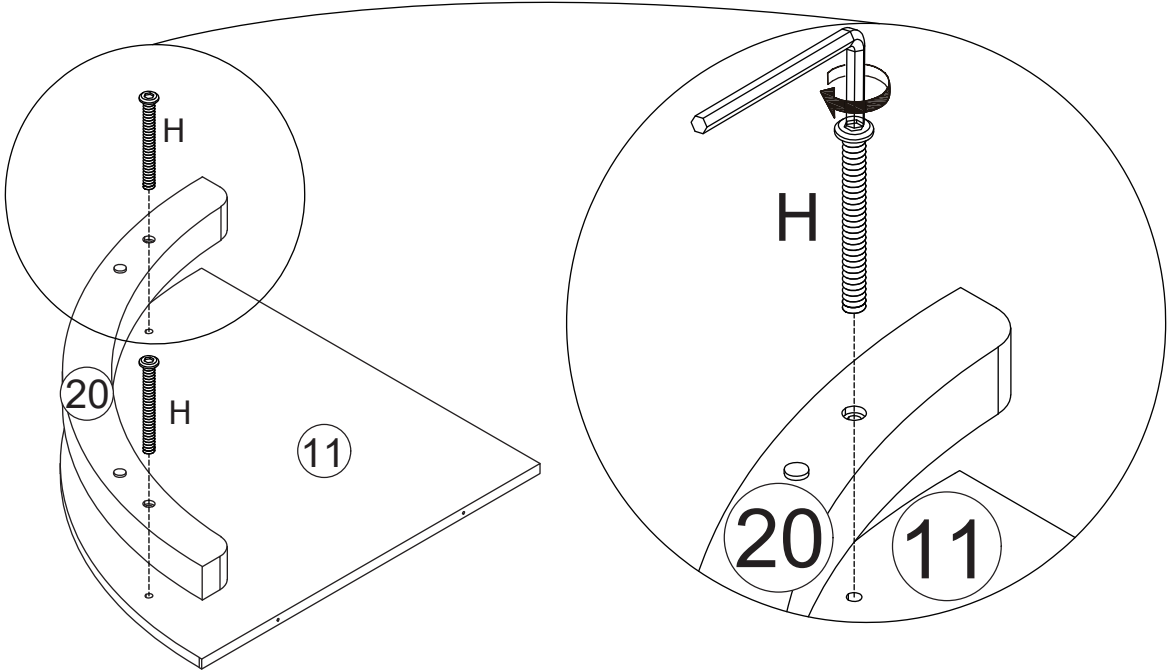
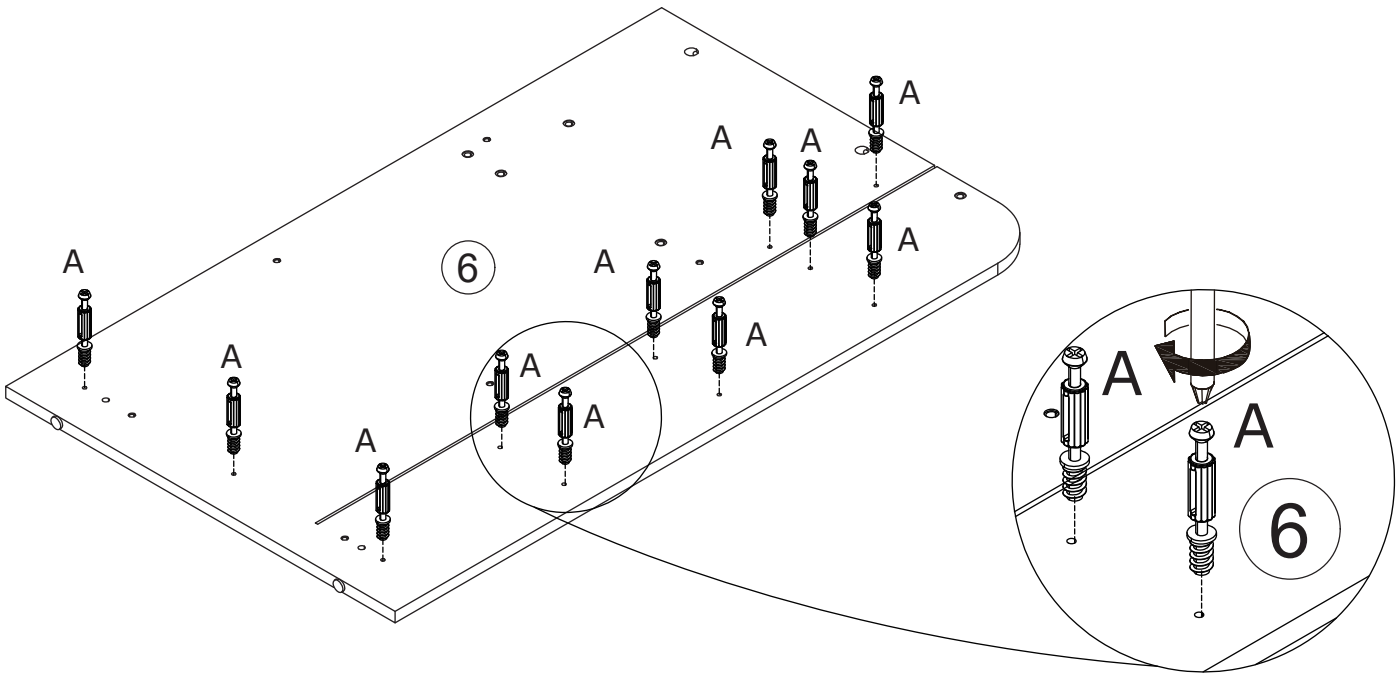
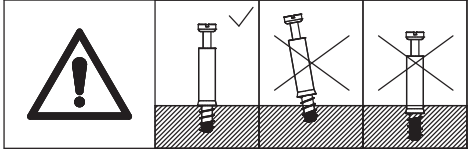
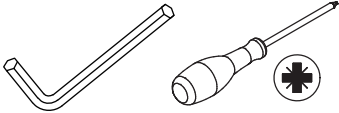
STEP 3: Remove Runner
Quitar el corredor
Enlever le coureur



1

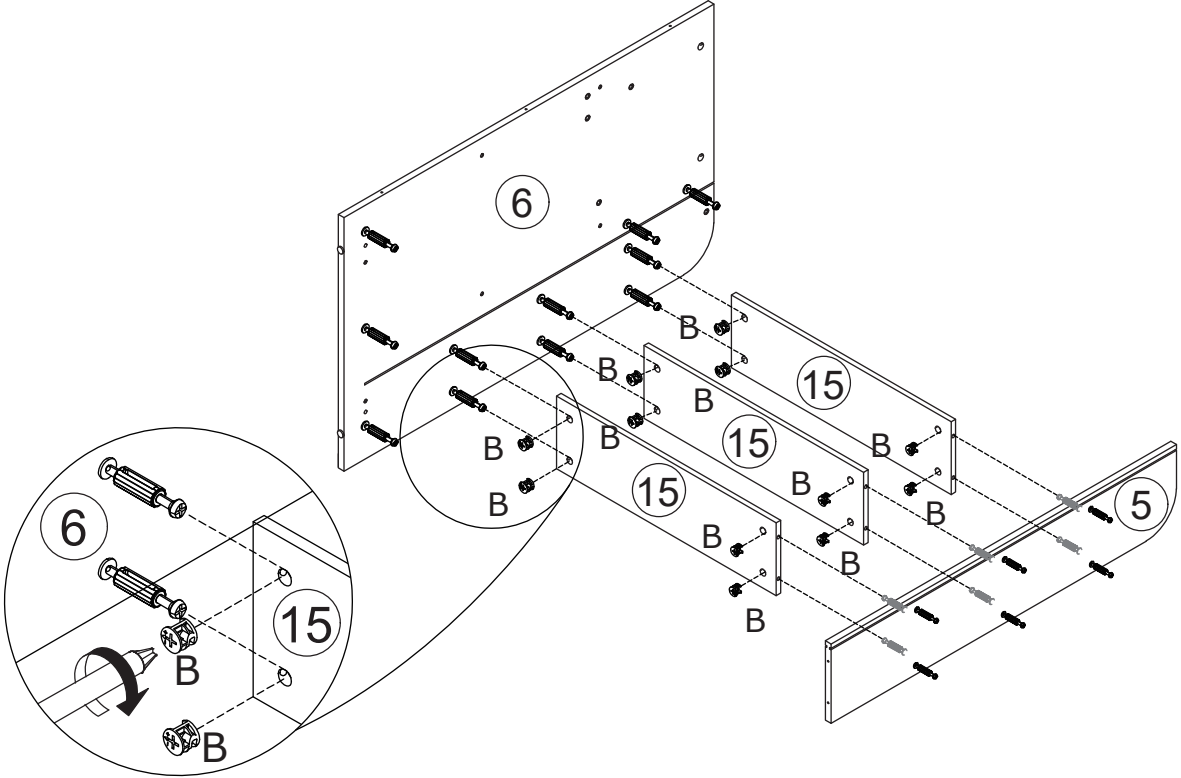
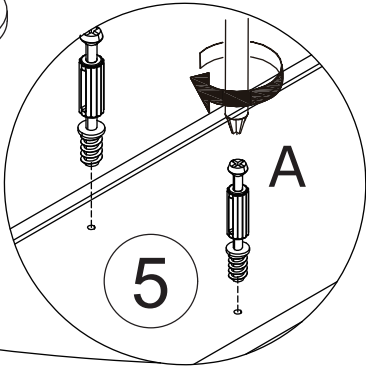
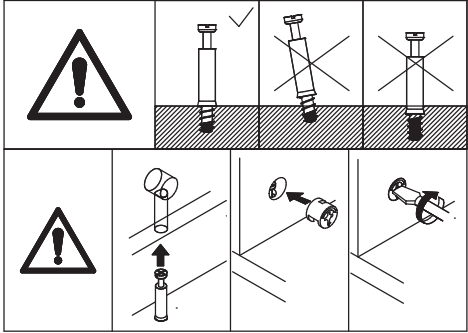
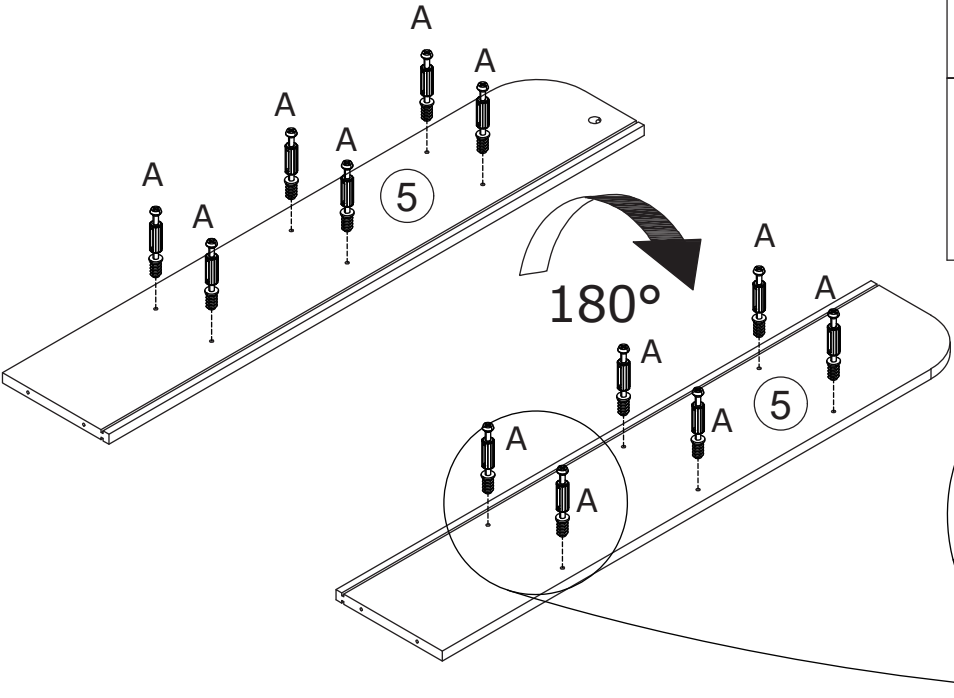
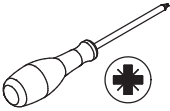
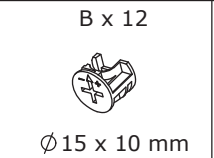
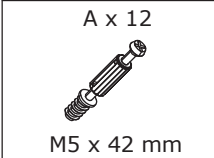
A x 11
M5 x 42 mm

H x 2
M6 x 55 mm



Screw eccentric rod(A) into board 6 at first.
Fix board 20 to board 11 with screw(H) as shown.

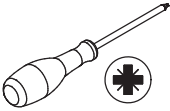
2



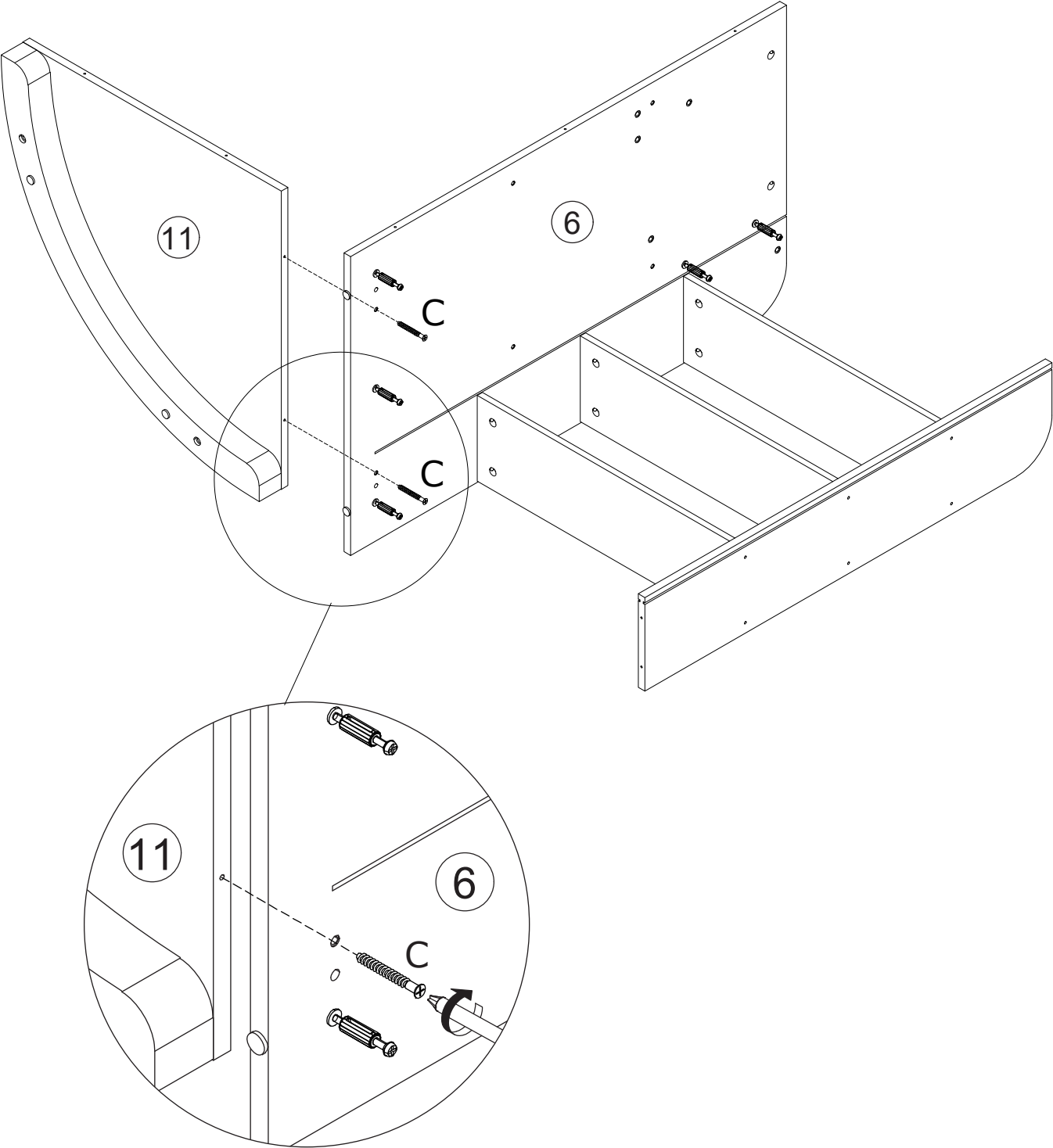
Screw eccentric rod(A) into board 5 at first, flip to back, screw eccentric rod(A) into as shown.
Connect board 5 and 6 to board 15, add cam lock(B) into board 15 and turn clockwise to tighten as shown.

3



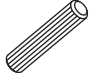
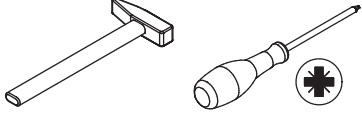
C x 2
M5 x 40 mm

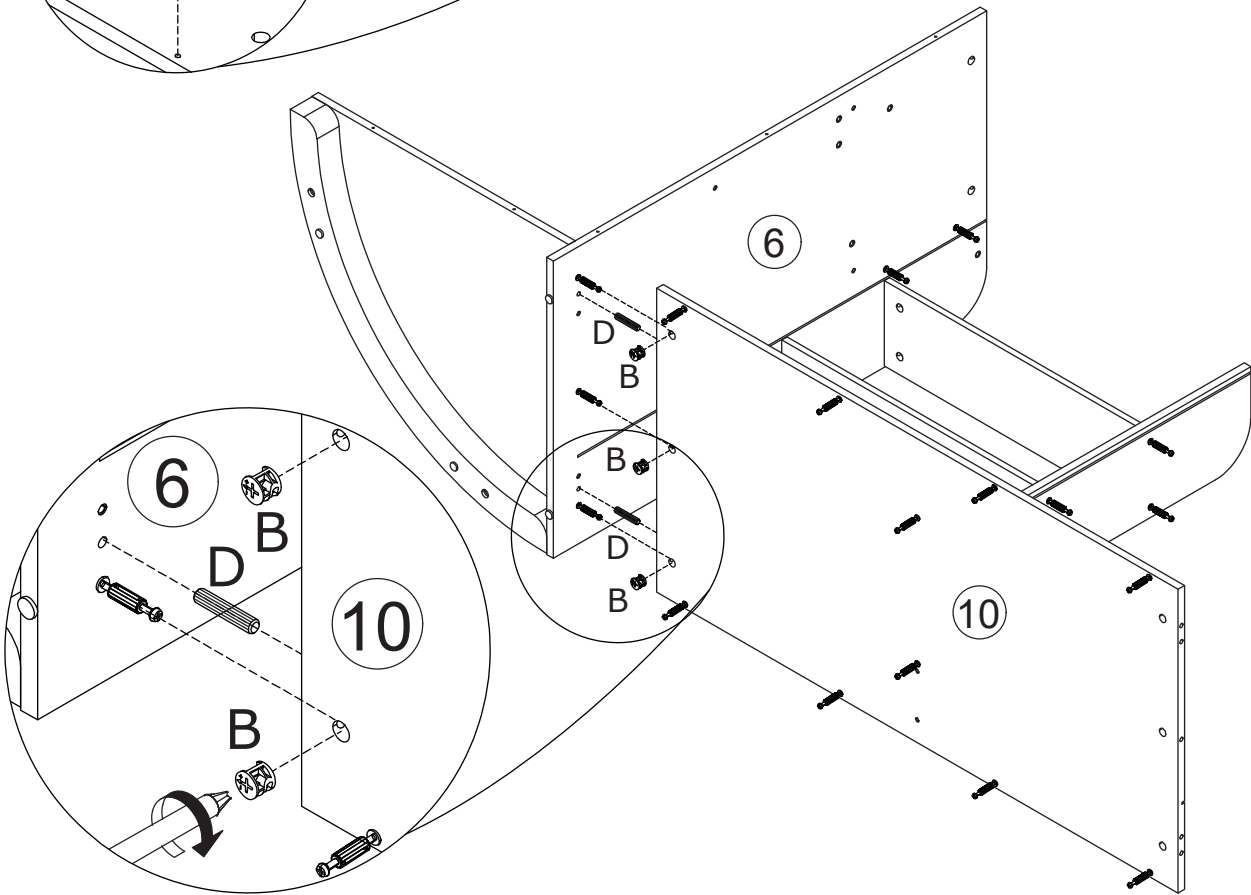
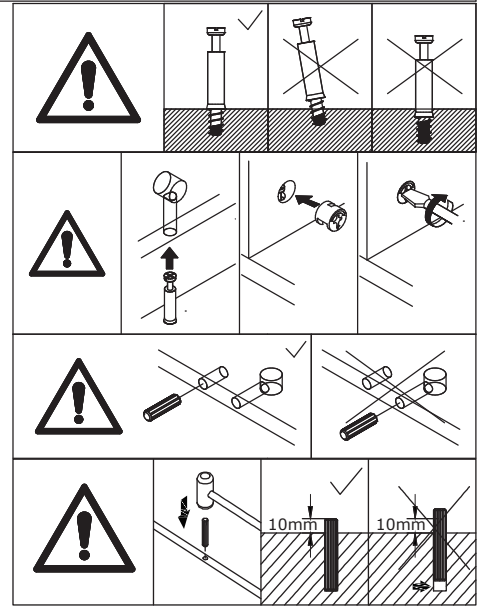
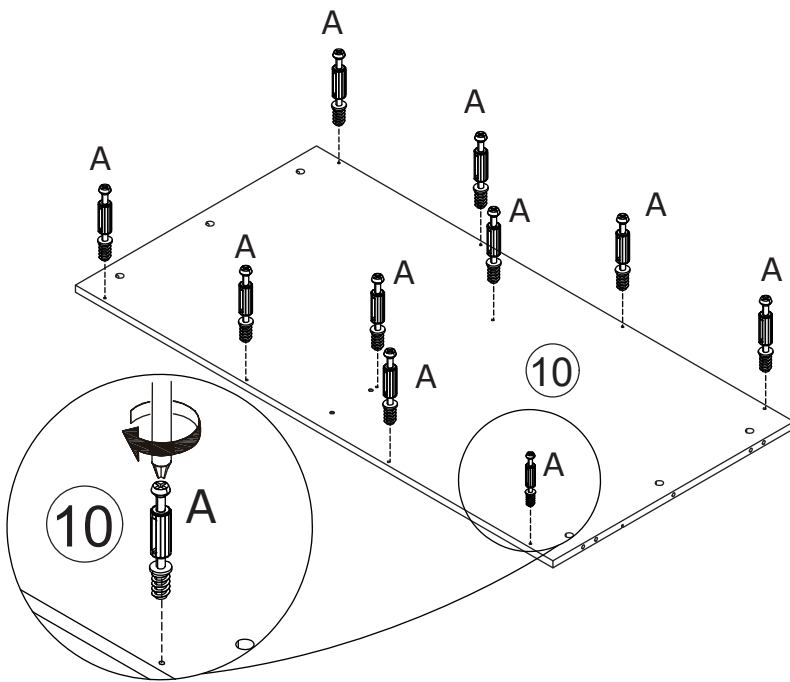


Fix board 11 to board 6 with screw(C) as shown.



4

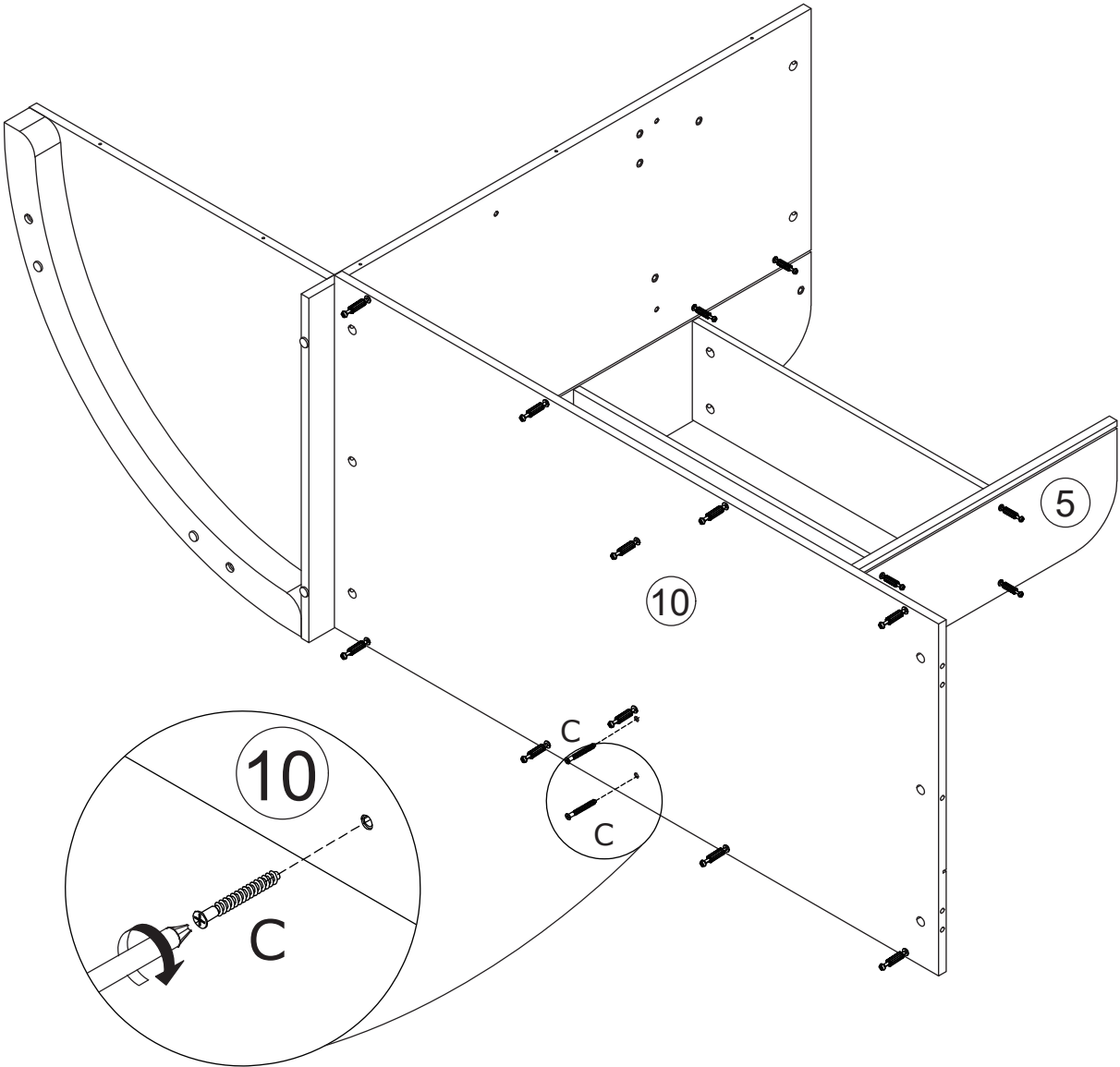
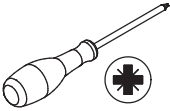
<p>A x 10  M5 x 42 mm</p>	<p>B x 3  $\varnothing 15 \times 10$ mm</p>	<p>D x 2  $\varnothing 8 \times 40$ mm</p>	
--	---	--	---



Screw eccentric rod(A) into board 10 at first.
 Attach board 10 to board 6 using wooden dowel(D), add cam lock(B) into board 10 and turn clockwise to tighten as shown.

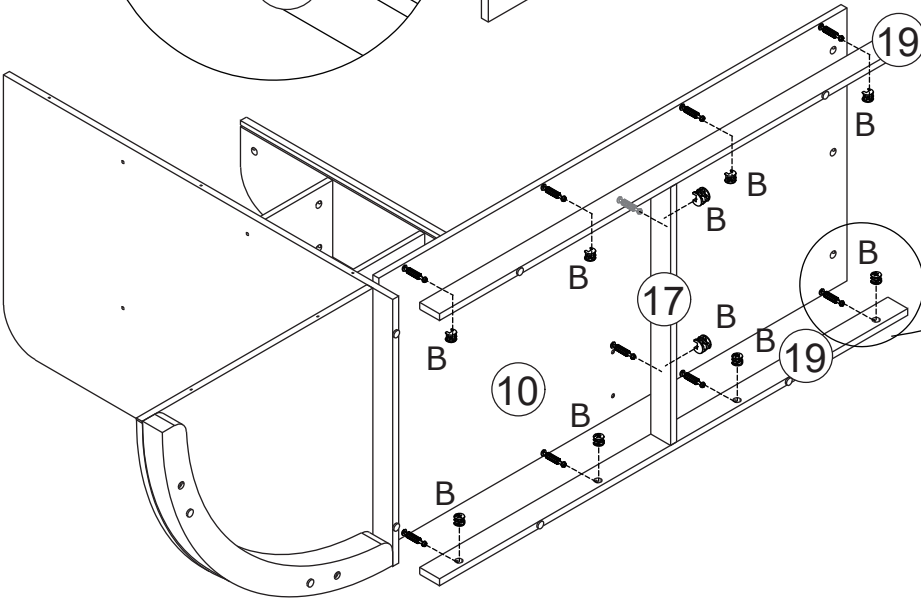
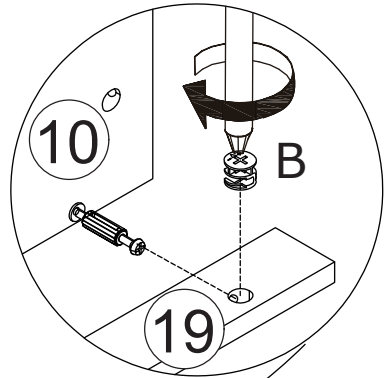
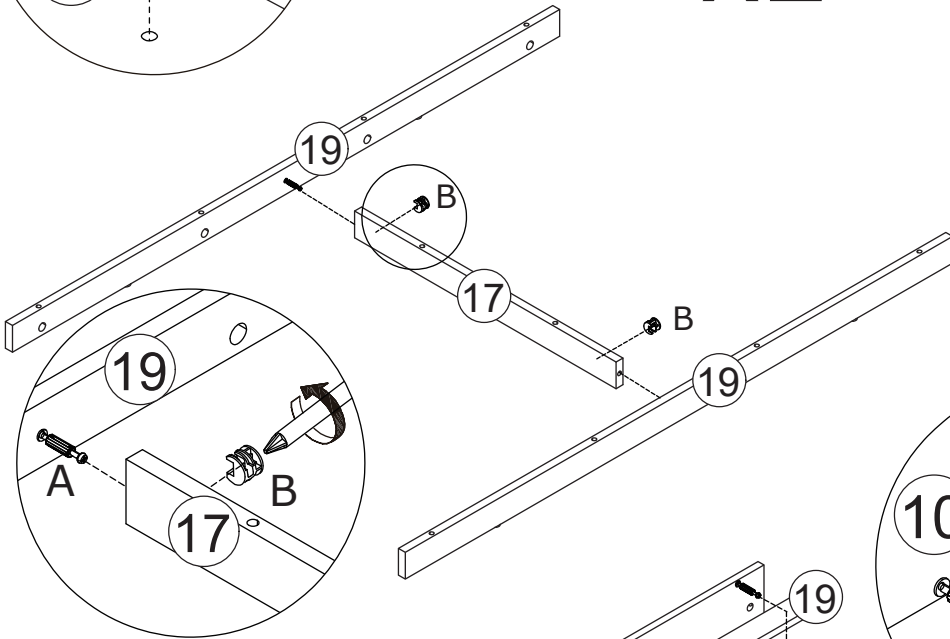
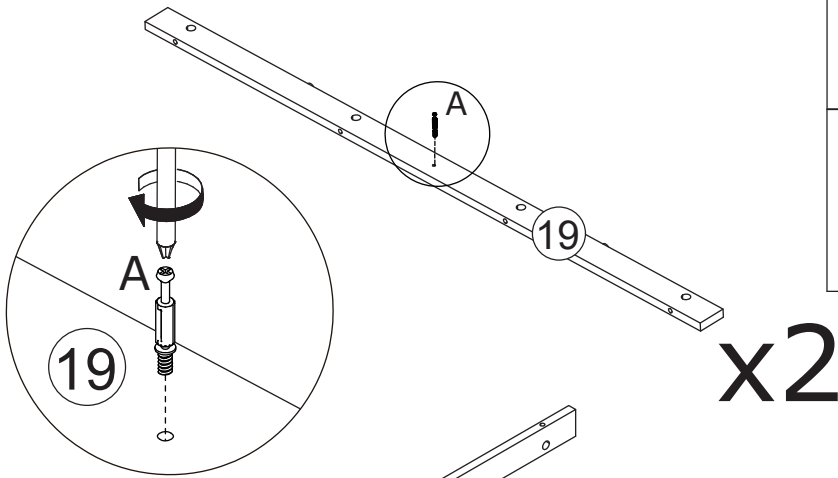
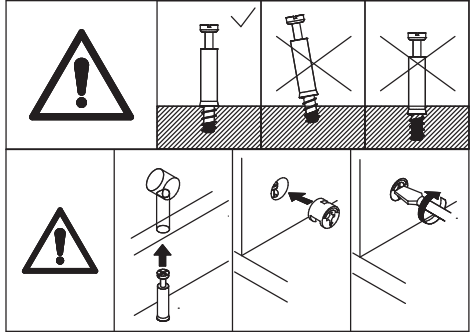
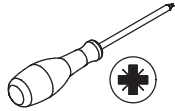
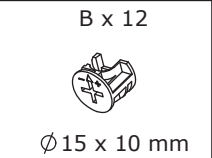
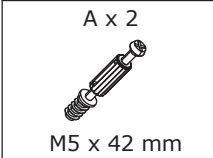
5

C x 2
M5 x 40 mm



Fix board 10 to board 5 with screw(C) as shown.

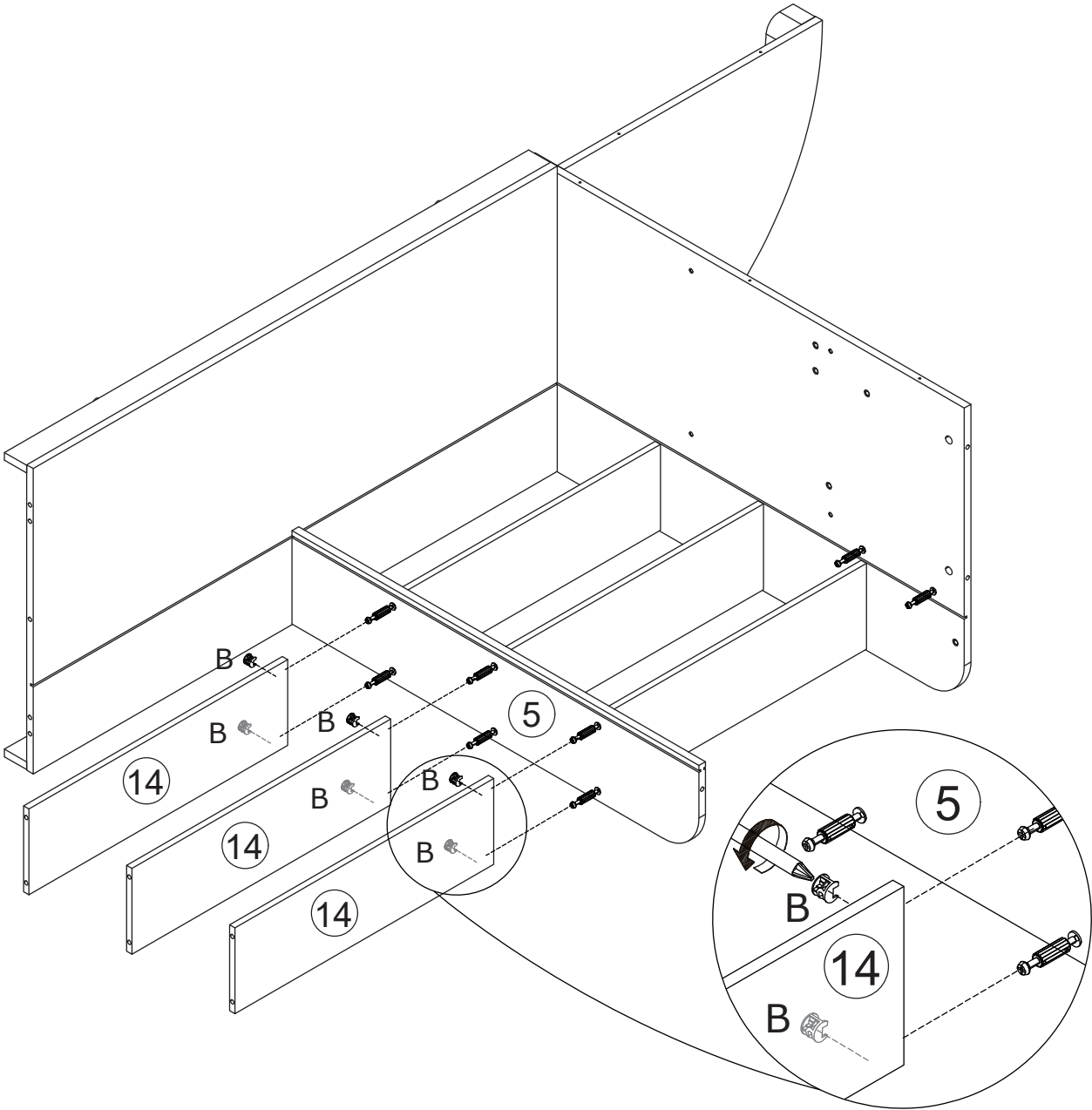
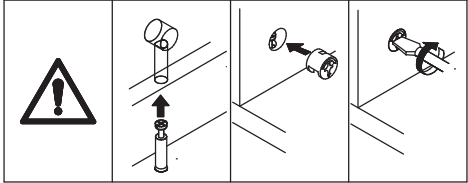
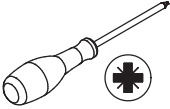
6



Screw eccentric rod(A) into board 19 at first.
Connect board 19 to board 17, add cam lock(B) into board 17 and turn clockwise to tighten as shown.
Attach board 17 and 19 to board 10, add cam lock(B) into board 17,19 and turn clockwise to tighten as shown.

7

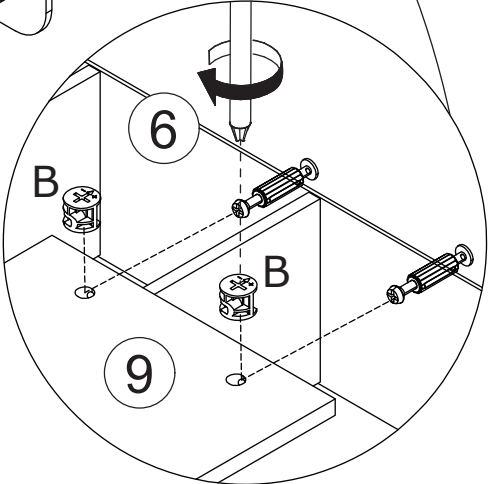
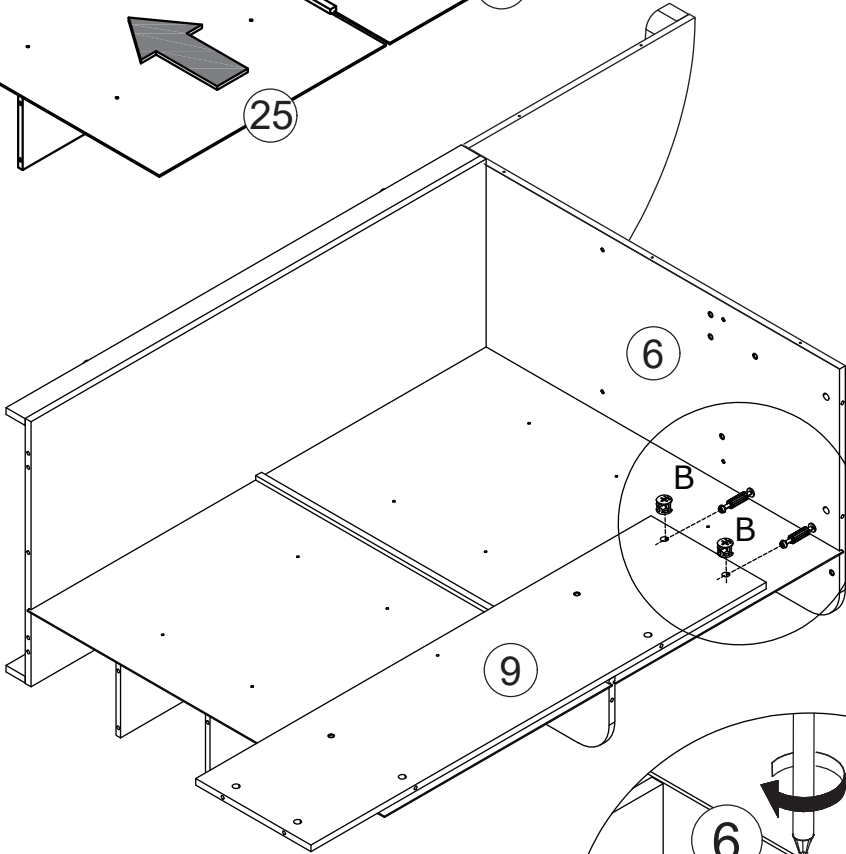
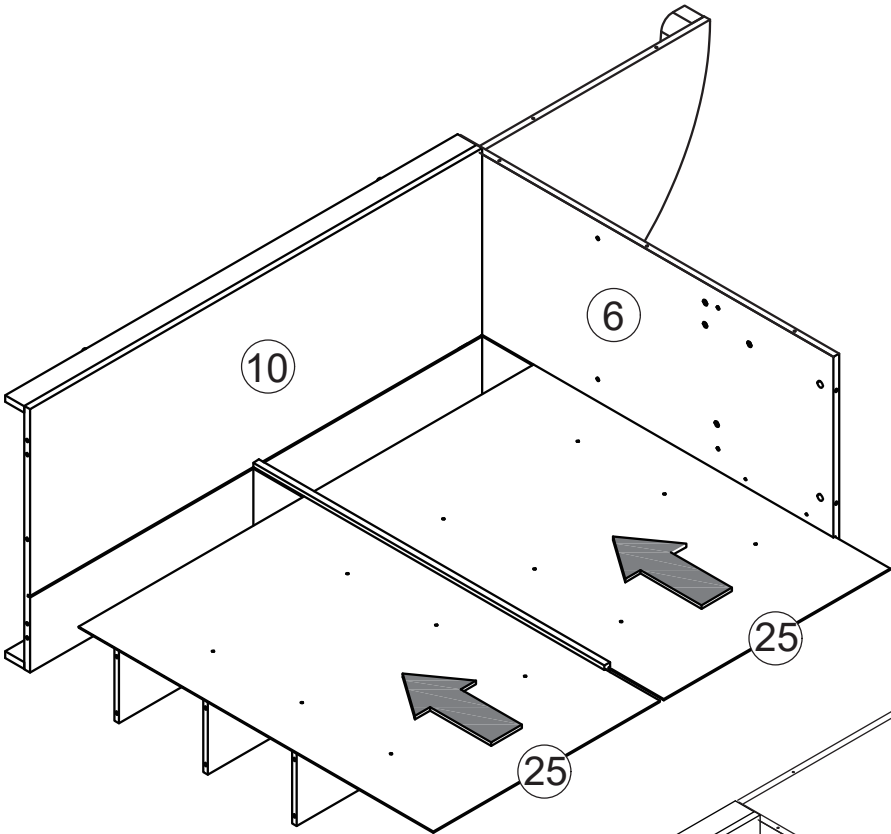
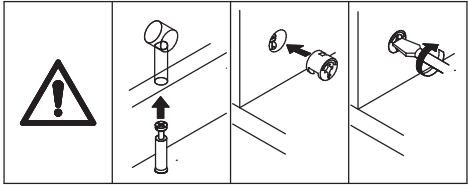
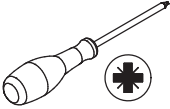
B x 6
Ø 15 x 10 mm



Attach board 14 to board 5, add cam lock(B) into board 14 and turn clockwise to tighten as shown.

8

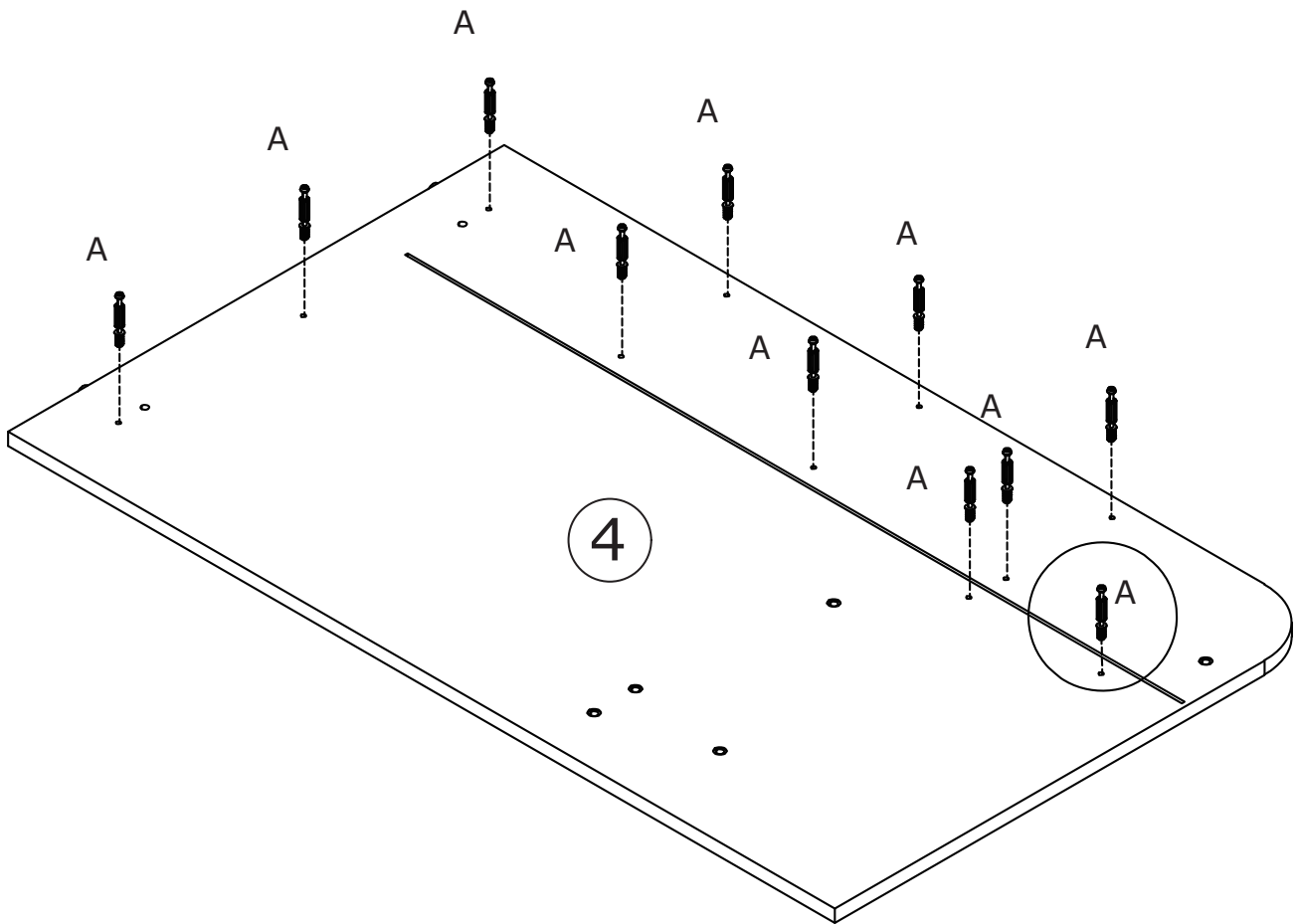
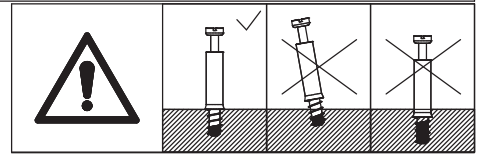
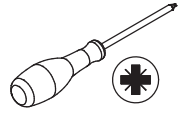
B x 2
Ø 15 x 10 mm



Insert back board 25 along grooves as shown.
Attach board 9 to board 6, add cam lock (B) into board 9 and turn clockwise to tighten as shown.




9

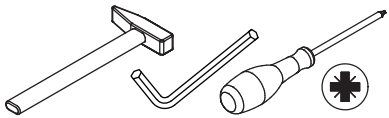
A x 11
M5 x 42 mm



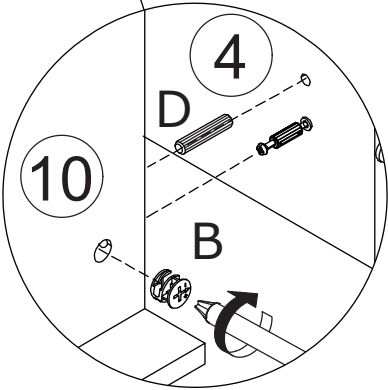
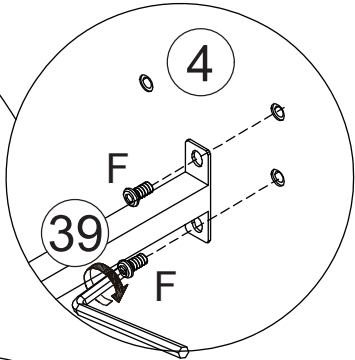
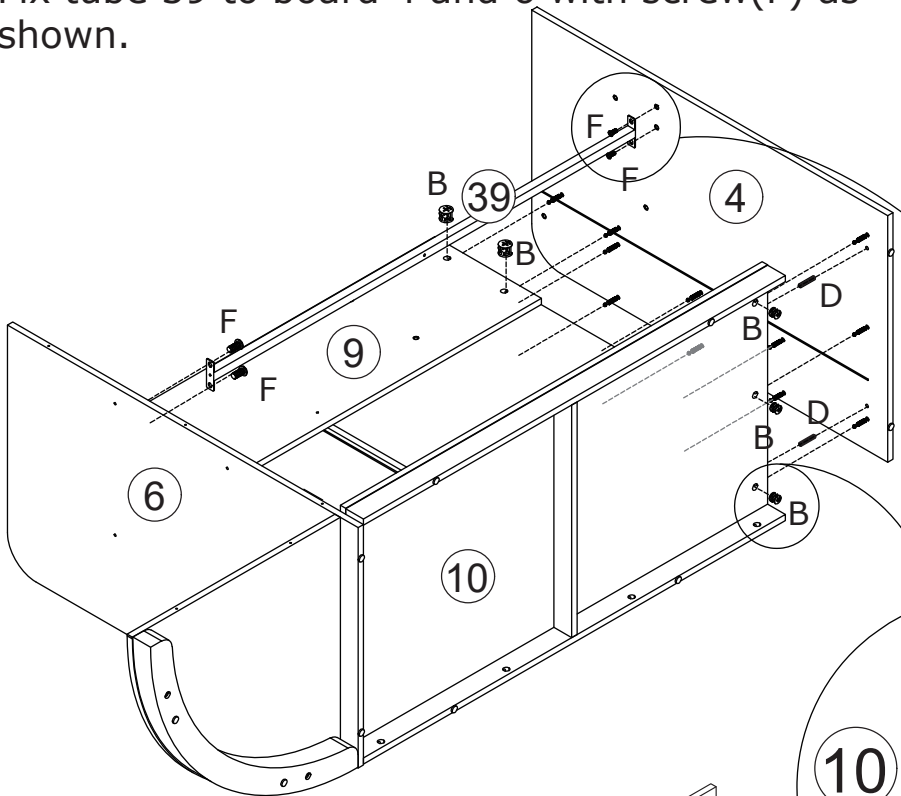
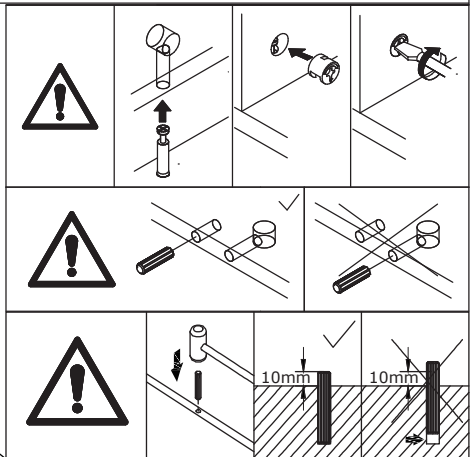
Screw eccentric rod(A) into board 4 at first.

10

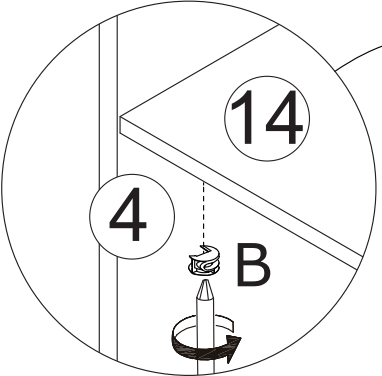
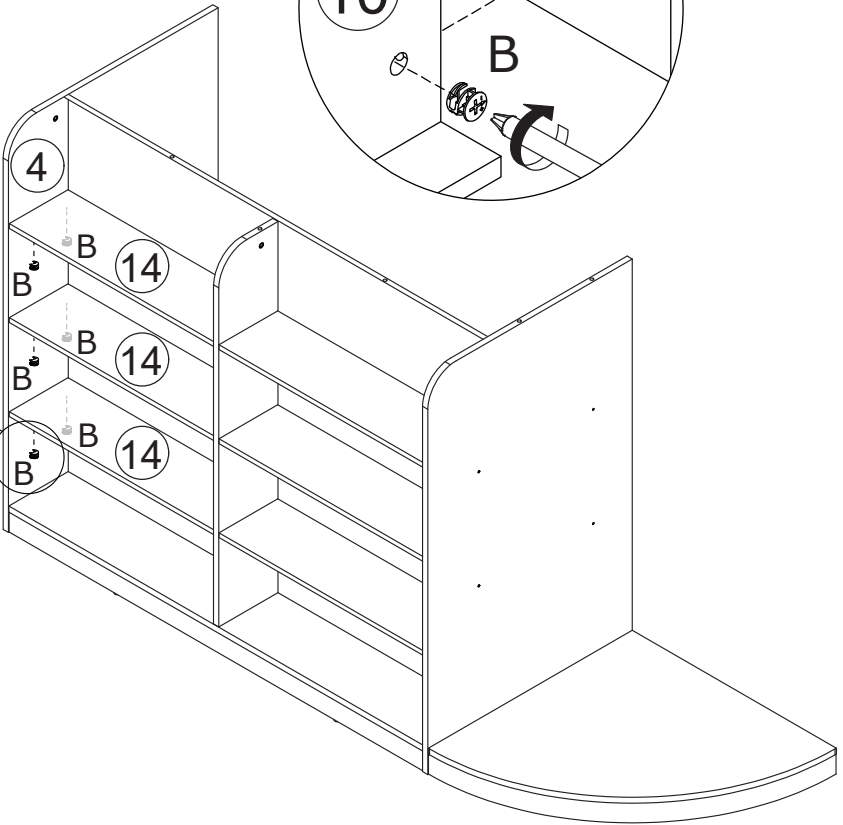
B x 11  Ø15 x 10 mm	D x 2  Ø8 x 40 mm	F x 4  M6 x 12 mm
--	--	--



Insert wooden dowel(D) into board 10 at first. Attach board 4 to the component, add cam lock(B) into and turn clockwise to tighten as shown. Fix tube 39 to board 4 and 6 with screw(F) as shown.



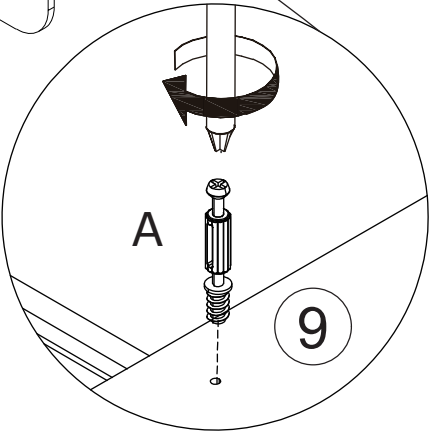
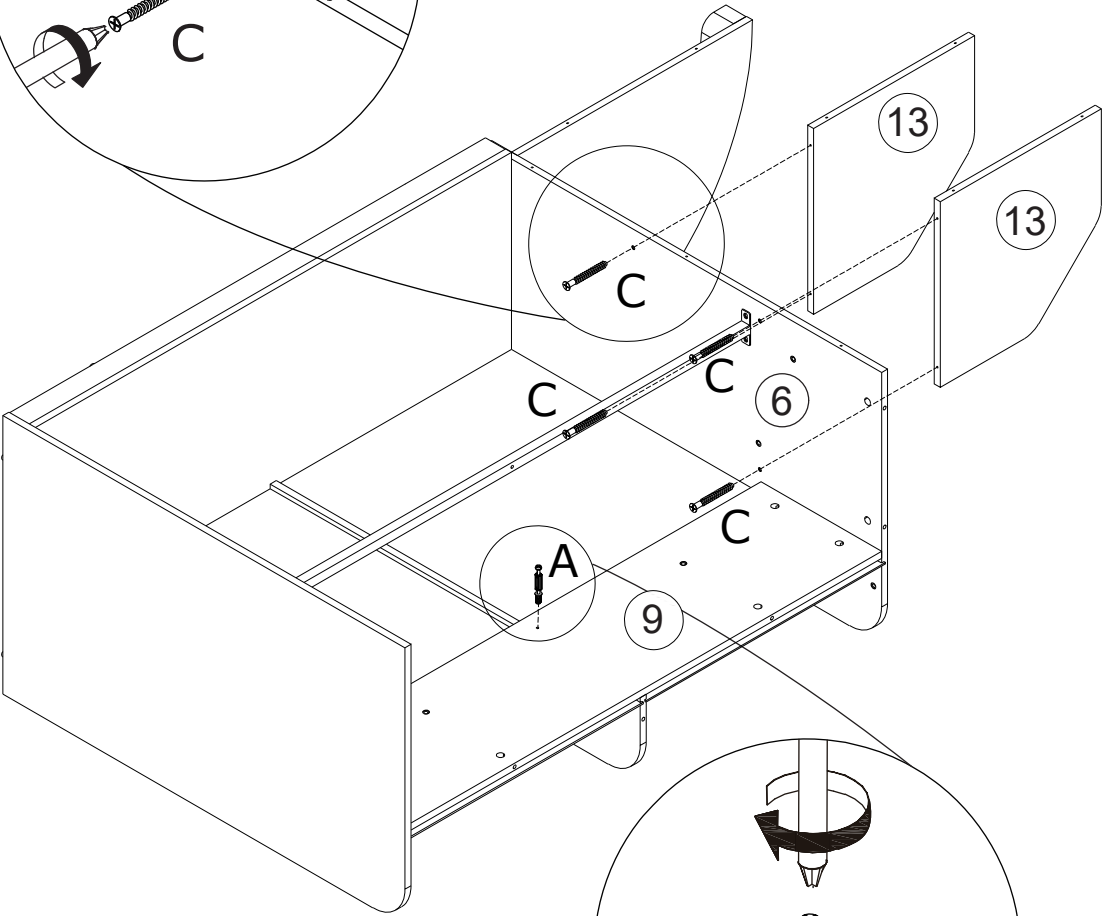
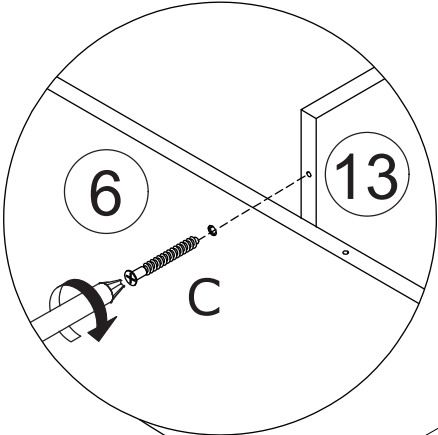
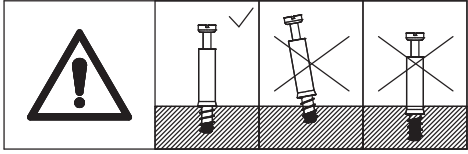
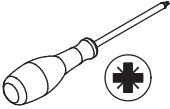
Flip the component



11

A x 1
M5 x 42 mm

C x 4
M5 x 40 mm



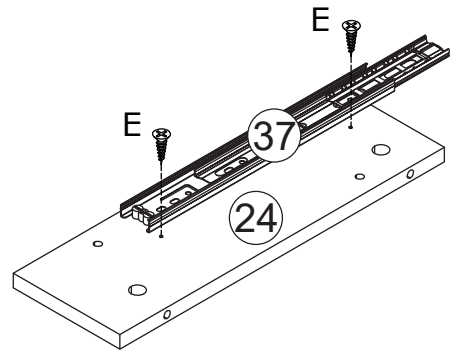
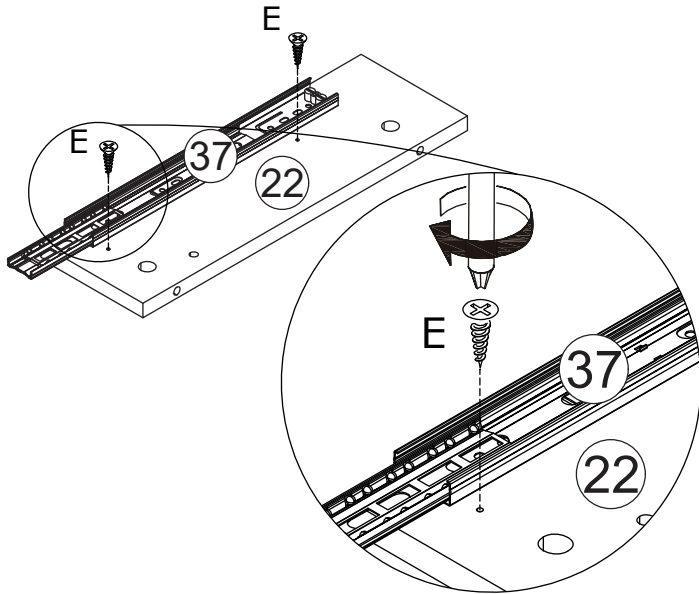
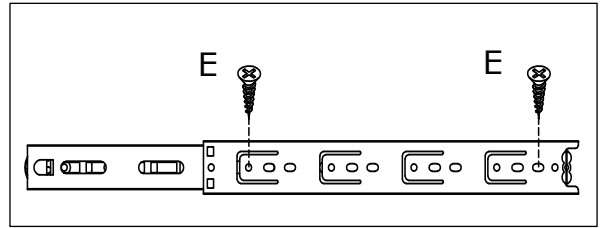
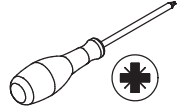
Fix board 13 to board 6 with screw(C) as shown.
Screw eccentric rod(A) into board 9 at first.

12

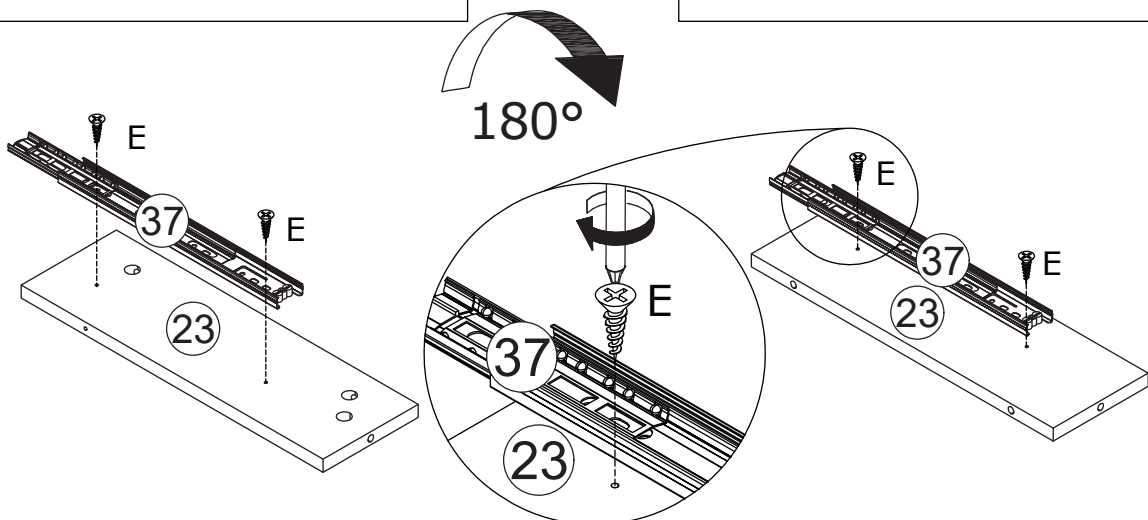
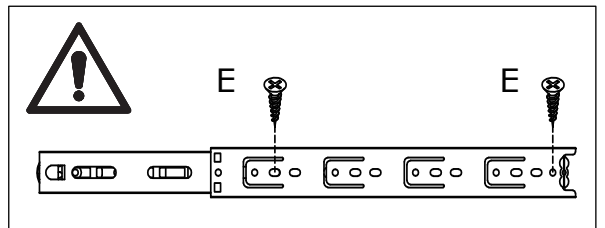
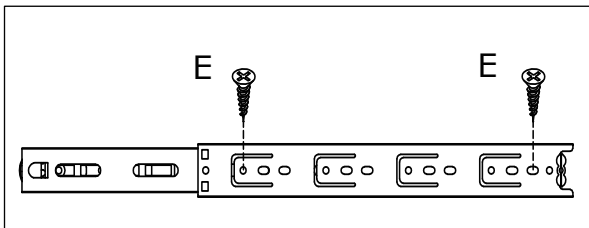
E x 8



M3.5 x 14 mm



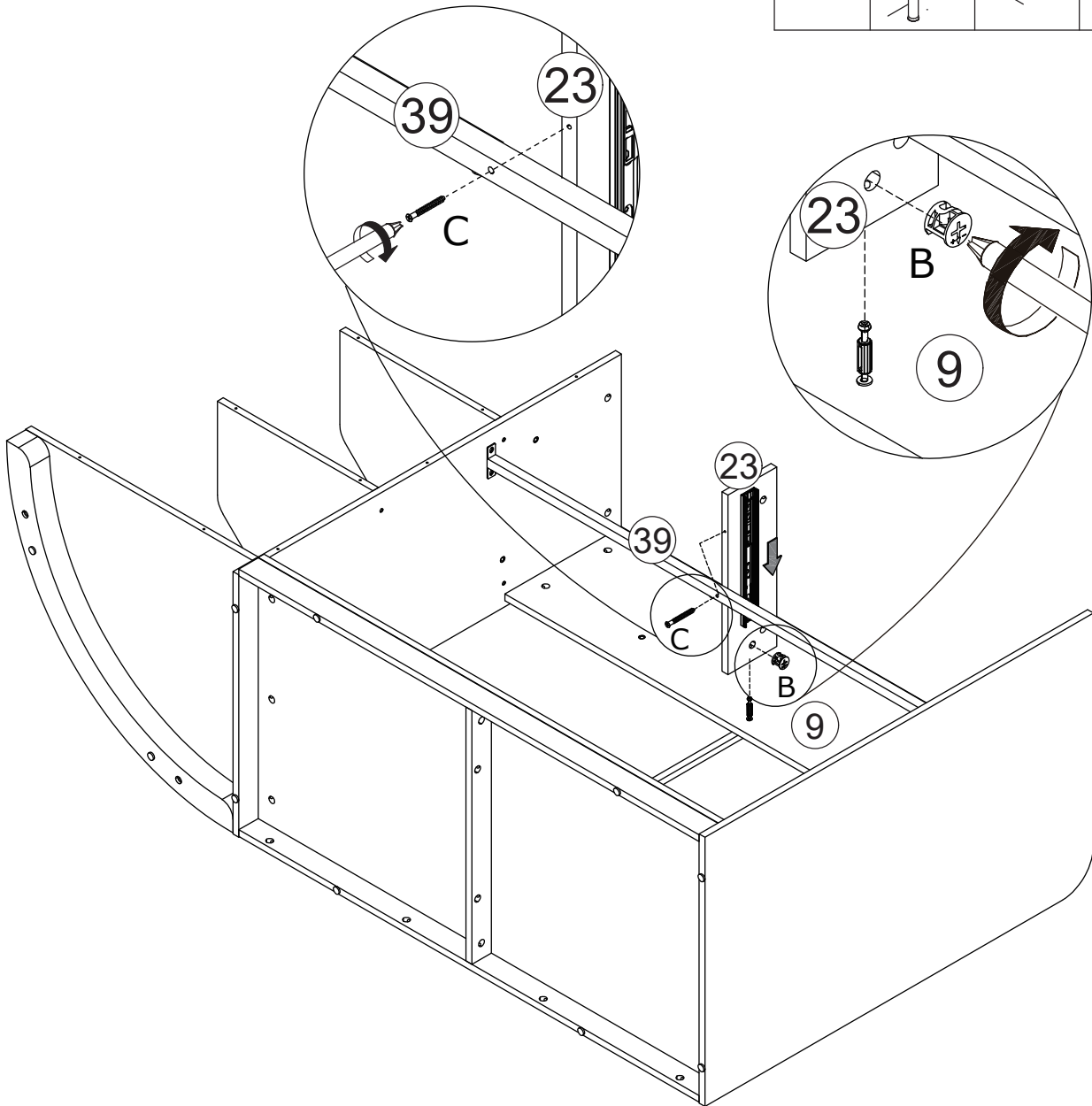
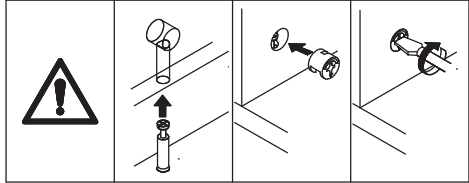
Fix rail 37 to board 22 and 24 with screw(E) as shown.



Fix rail 37 to board 23 with screw(E) at first, flip to back, and fix rail 37 as shown.

13

B x 1  Ø 15 x 10 mm	C x 1  M5 x 40 mm	
--	--	---



Attach board 23 to board 9, add cam lock(B) into and turn clockwise to tighten as shown.
Fix board 23 to tube 39 with screw(C) as shown.

14

F x 2

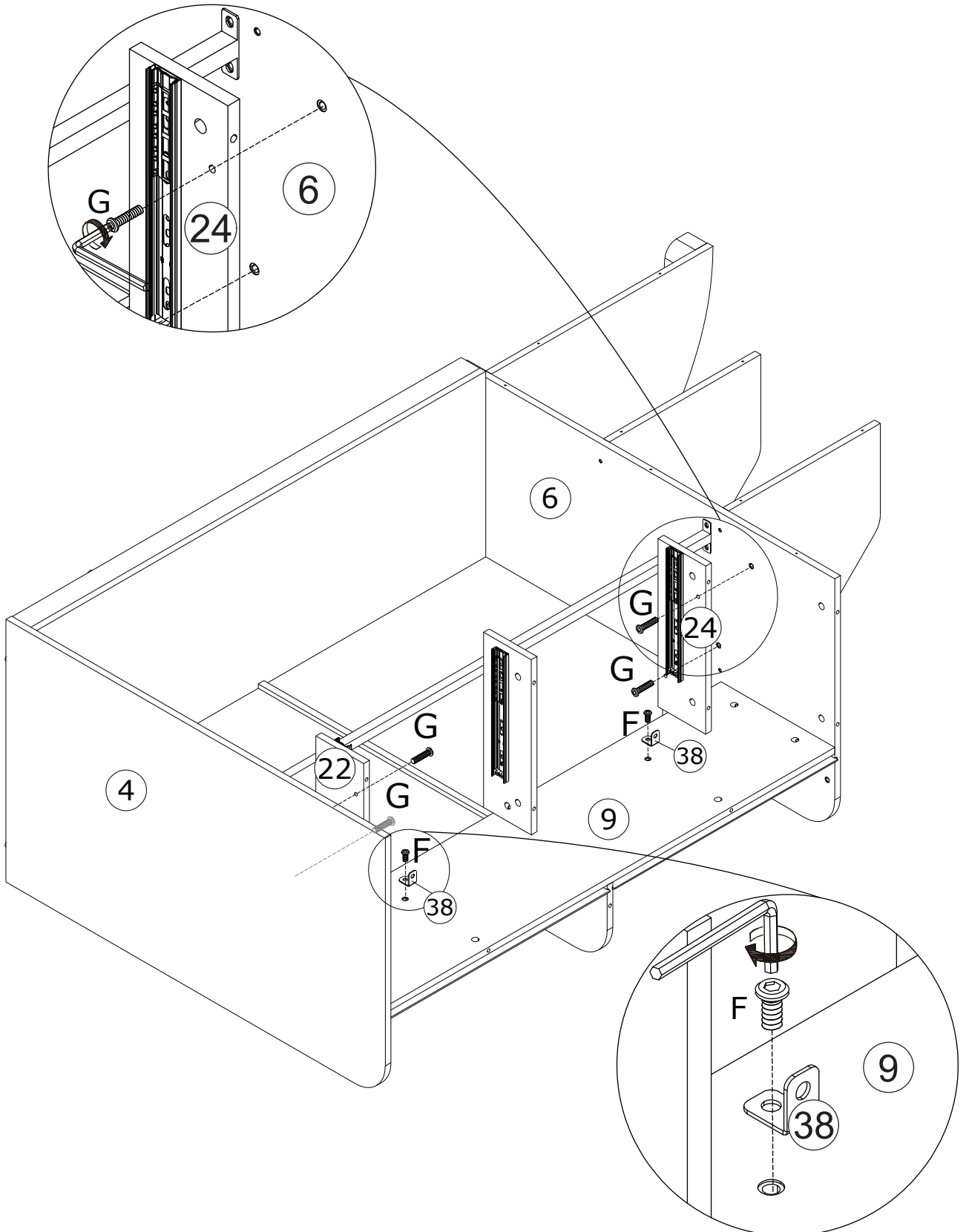
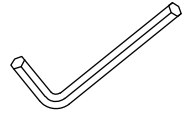


M6 x 12 mm

G x 4




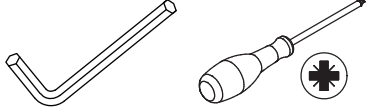


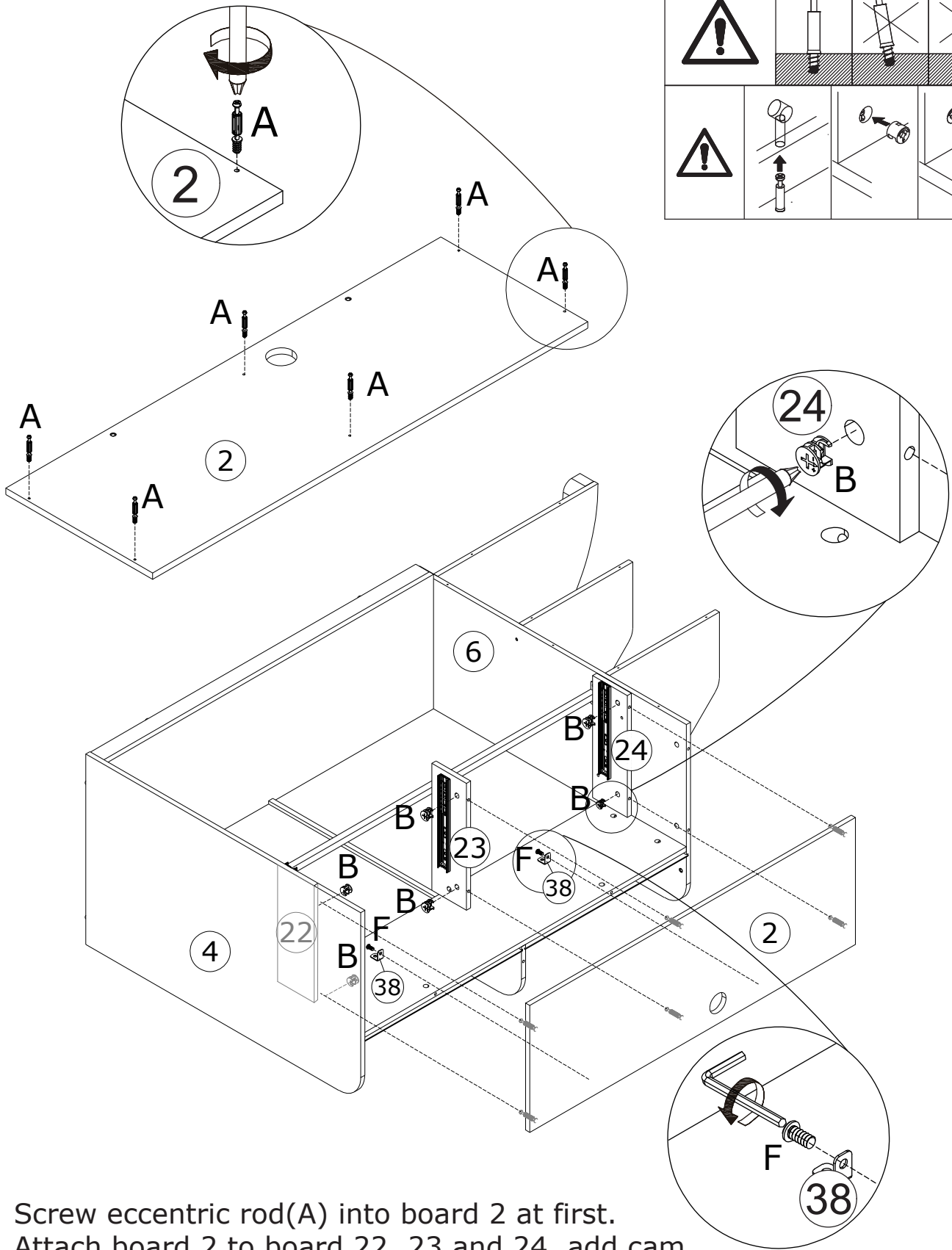
M6 x 25 mm



Fix board 22 and 24 to board 4 and 6 with screw(G) as shown.
Fix part 38 to board 9 with screw(F) as shown.

15

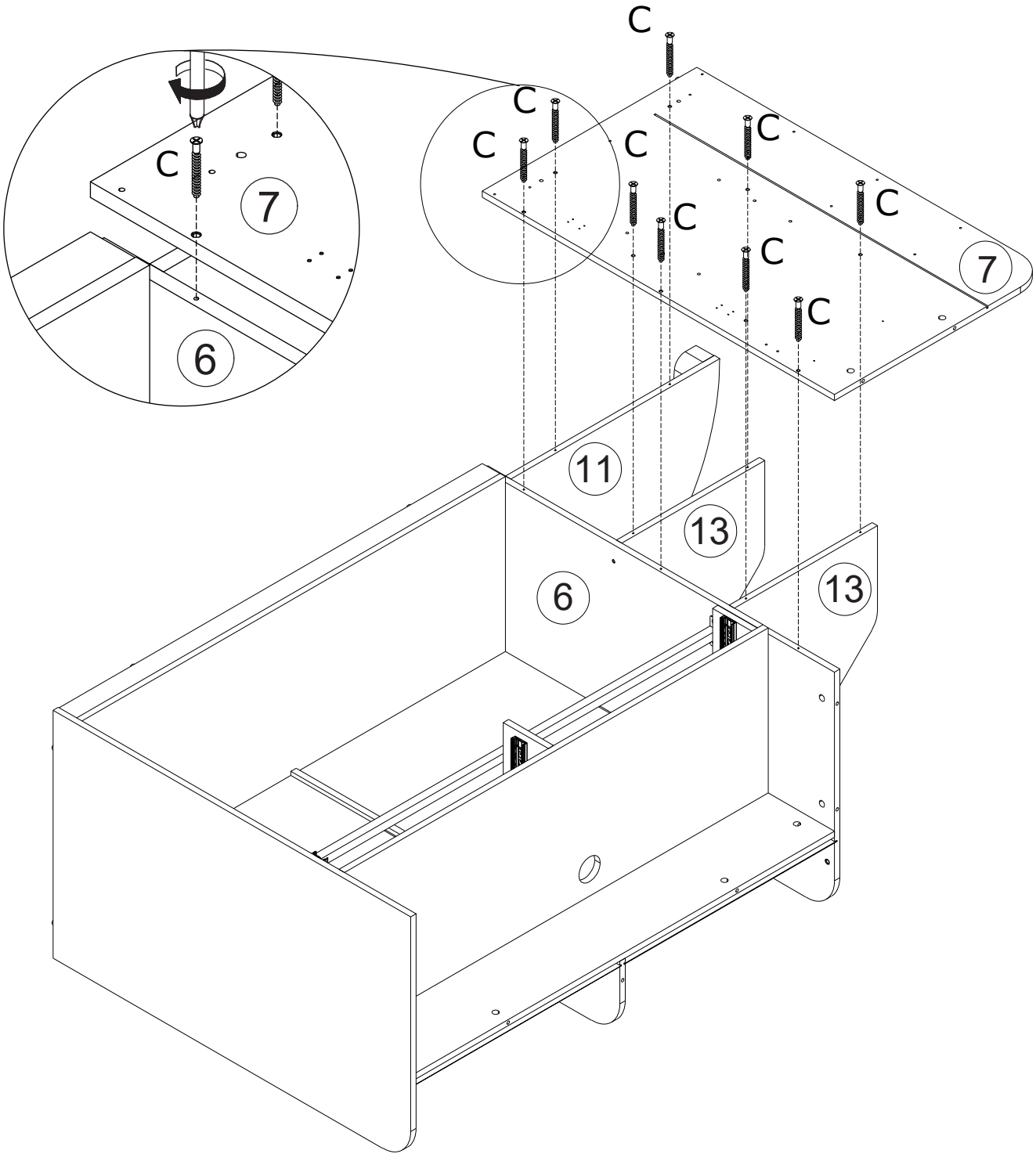
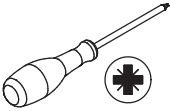
<p>A x 6 M5 x 42 mm</p> 	<p>B x 6 Ø15 x 10 mm</p> 	<p>F x 2 M6 x 12 mm</p> 	
---	--	---	---



Screw eccentric rod(A) into board 2 at first.
 Attach board 2 to board 22, 23 and 24, add cam
 lock(B) into and turn clockwise to tighten as shown.
 Fix part 38 to board 2 with screw(F) as shown.

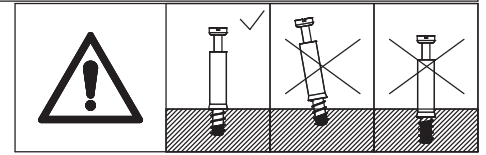
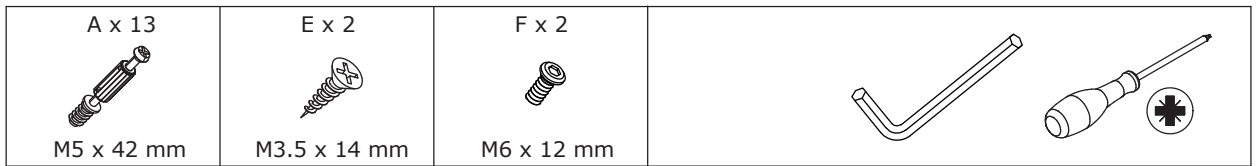
16

C x 9
M5 x 40 mm

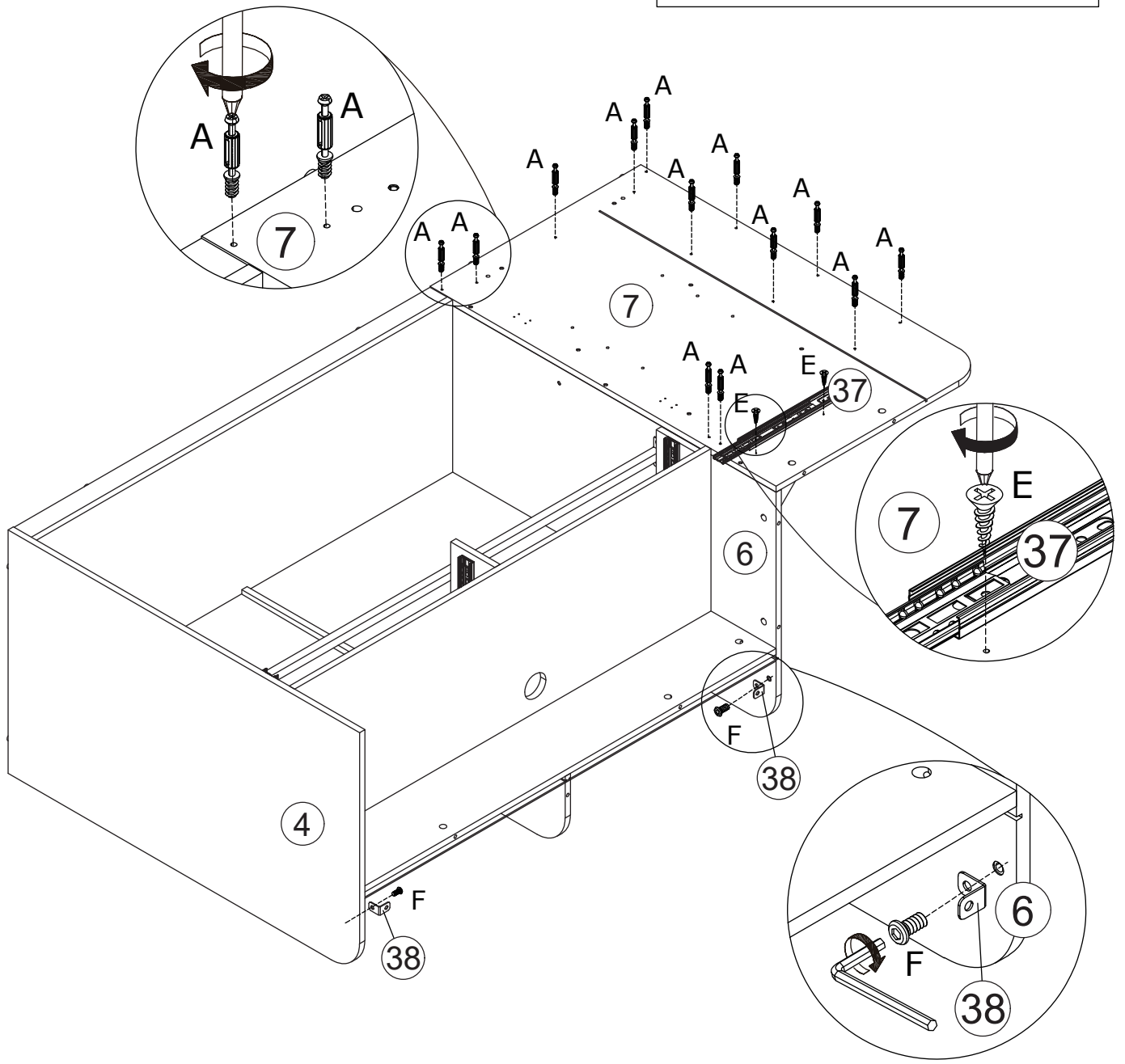
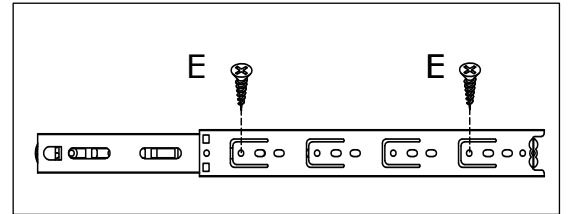


Fix board 7 to board 6, 11 and 13 with screw(C) as shown.

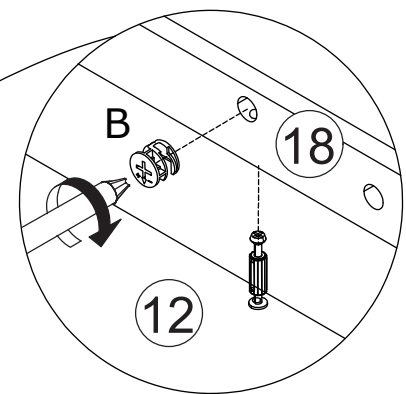
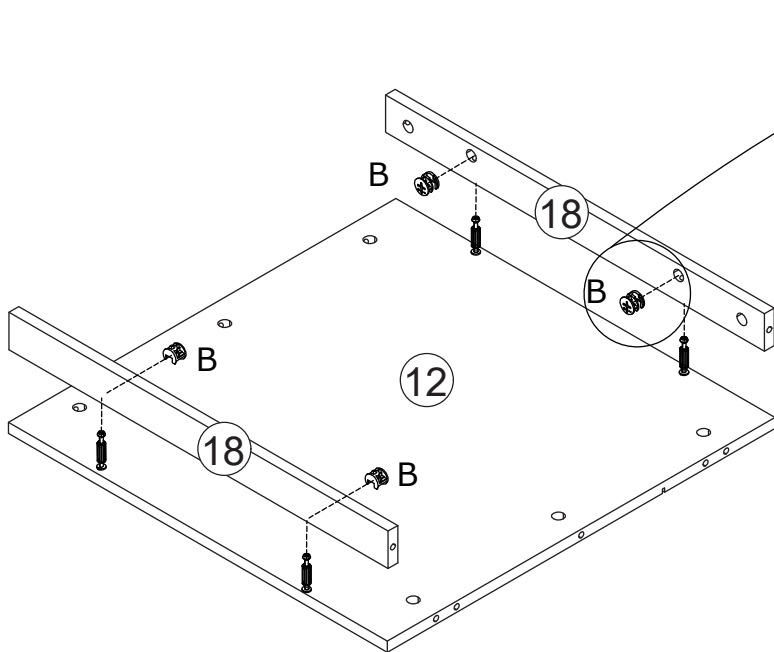
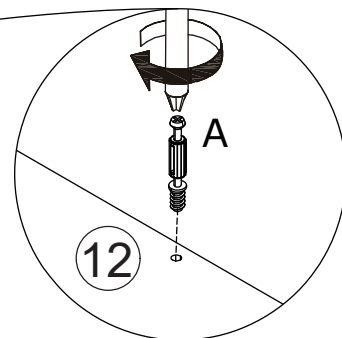
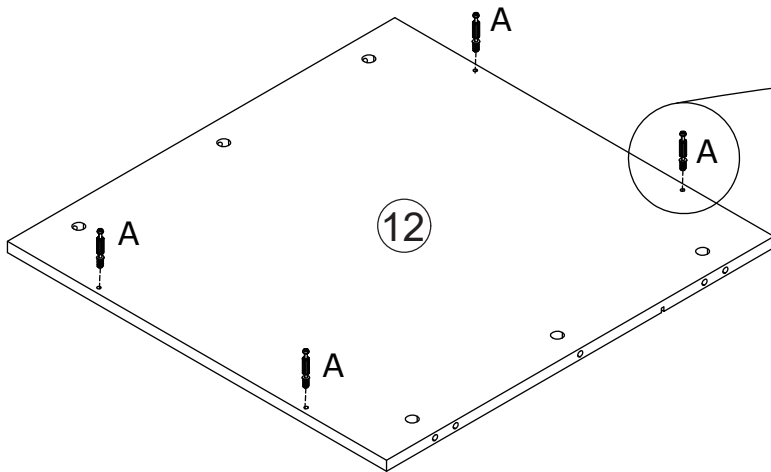
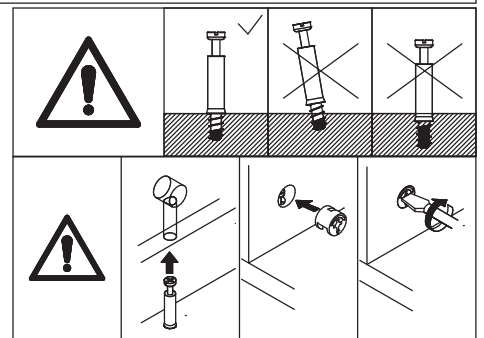
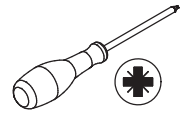
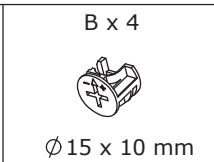
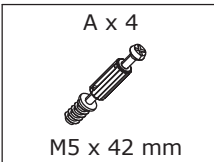
17



Screw eccentric rod(A) into board 7 at first.
Fix rail 37 to board 7 with screw(E) as shown.
Fix part 38 to board 4 and 6 with screw(F) as shown.



18



Screw eccentric rod(A) into board 12 at first.
Attach board 18 to board 12, add cam lock(B)
into and turn clockwise to tighten as shown.

19

B x 13

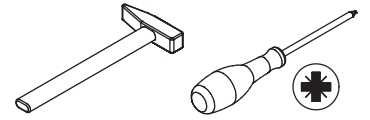


Ø15 x 10 mm

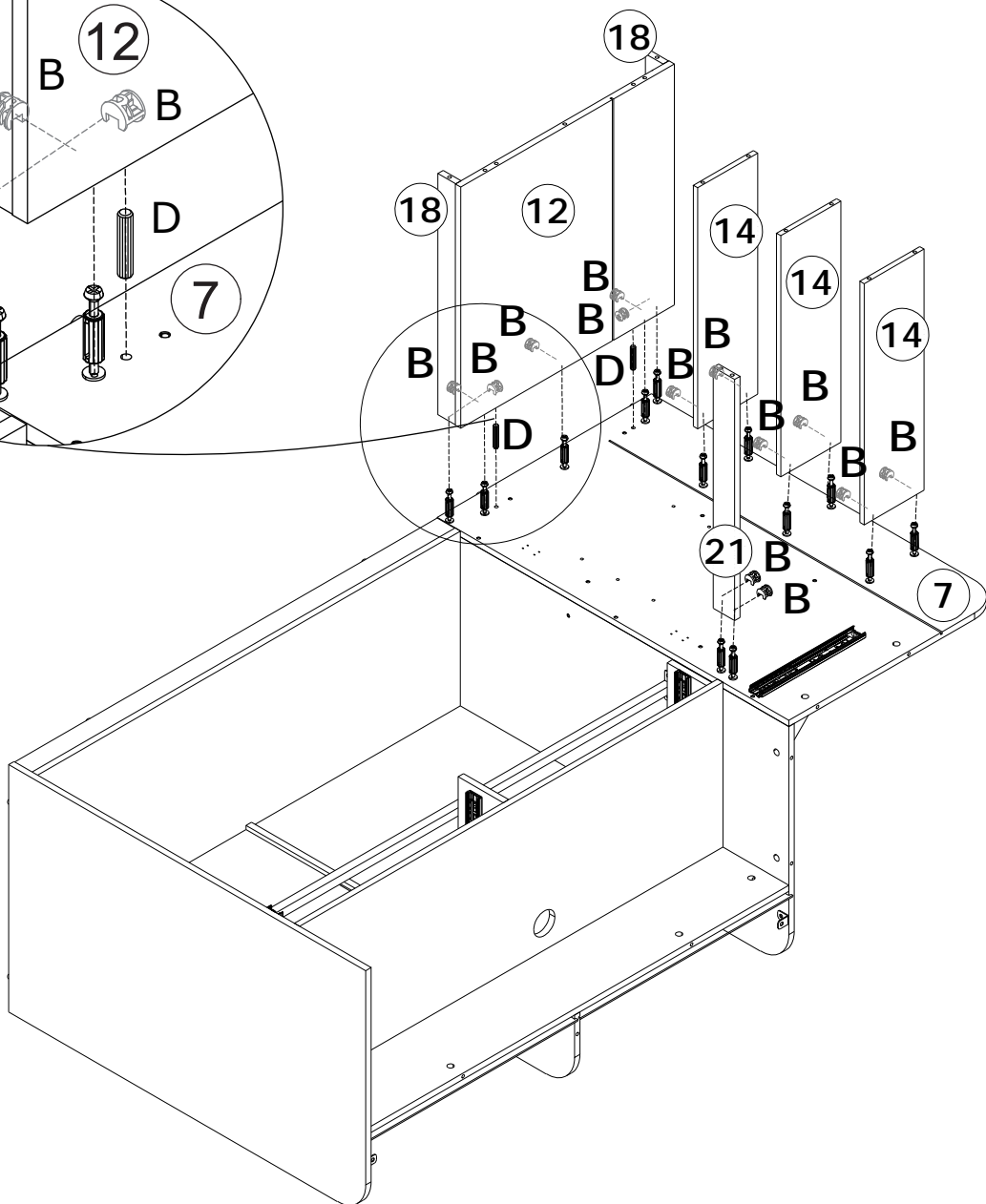
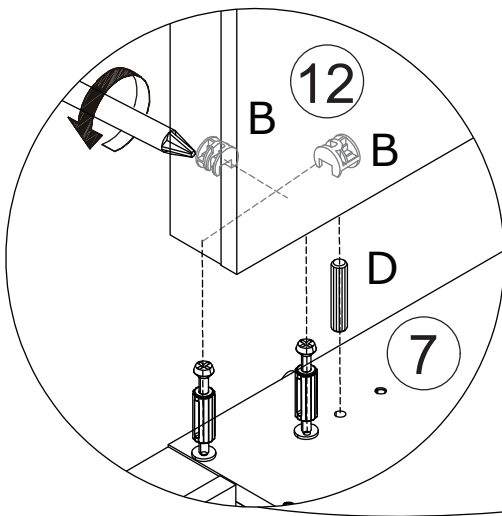
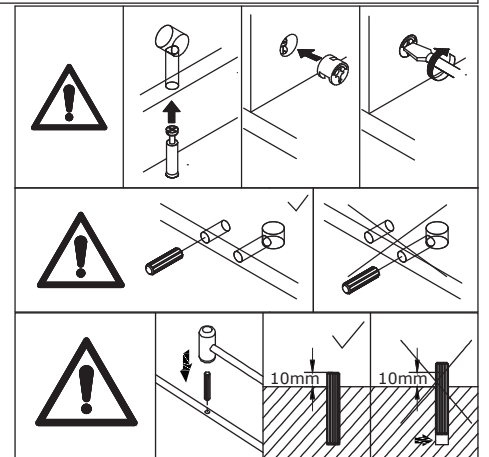
D x 2



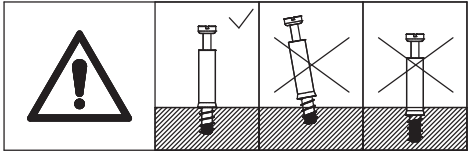
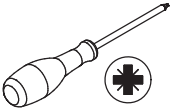
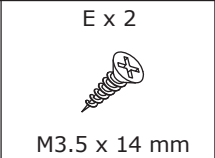
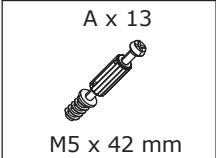
Ø8 x 40 mm



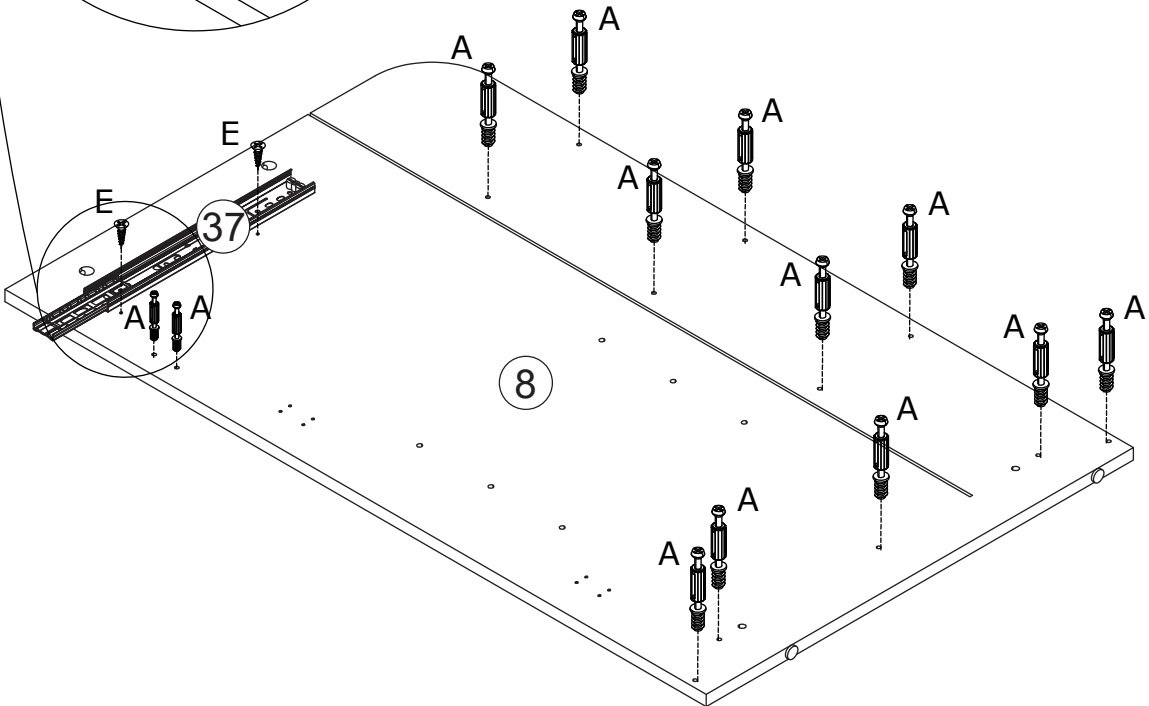
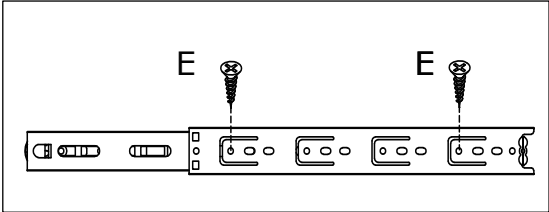
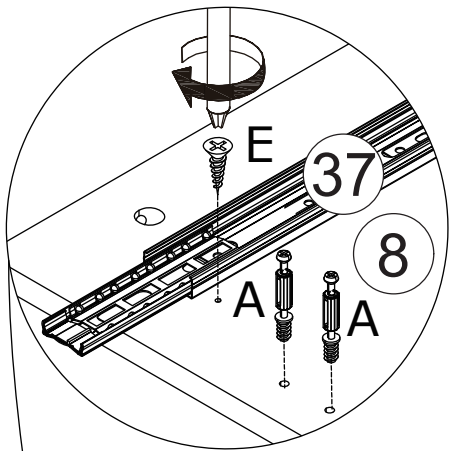
Insert wooden dowel(D) into board 12 at first. Attach board 12, 18, 14 and 21 to board 7, add cam lock(B) into and turn clockwise to tighten as shown.



20



Screw eccentric rod(A) into board 8 at first.
Fix rail 37 to board 8 with screw(E) as shown.

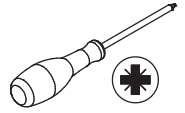


22

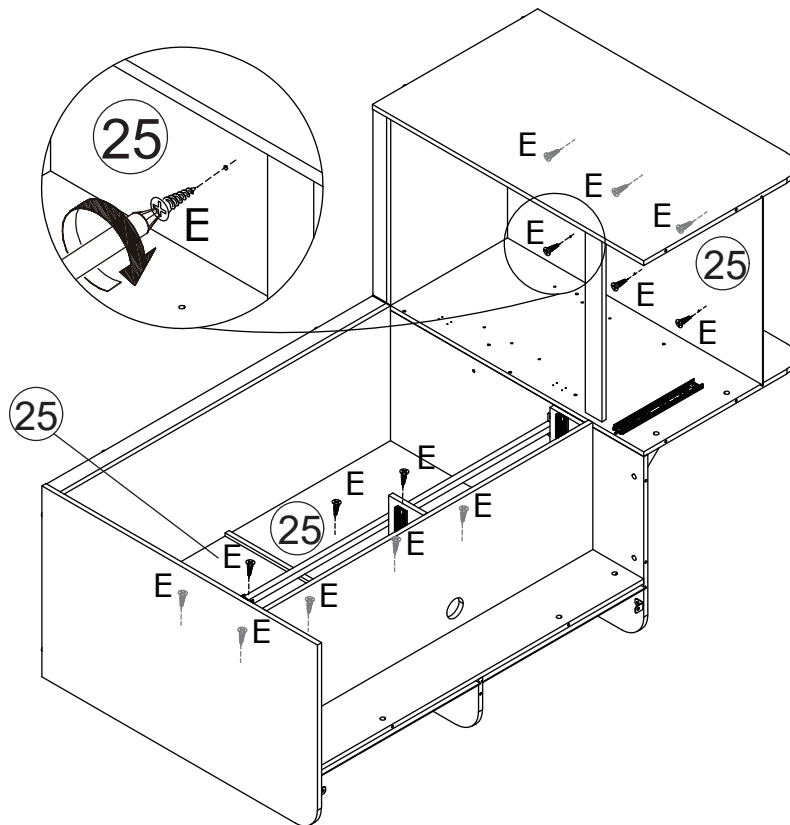
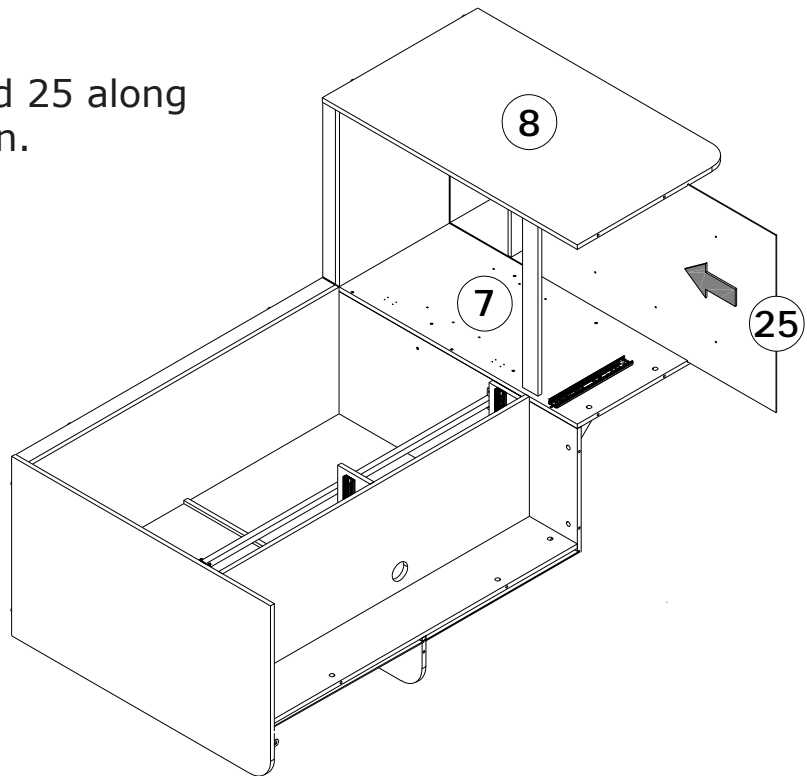
E x 14



M3.5 x 14 mm

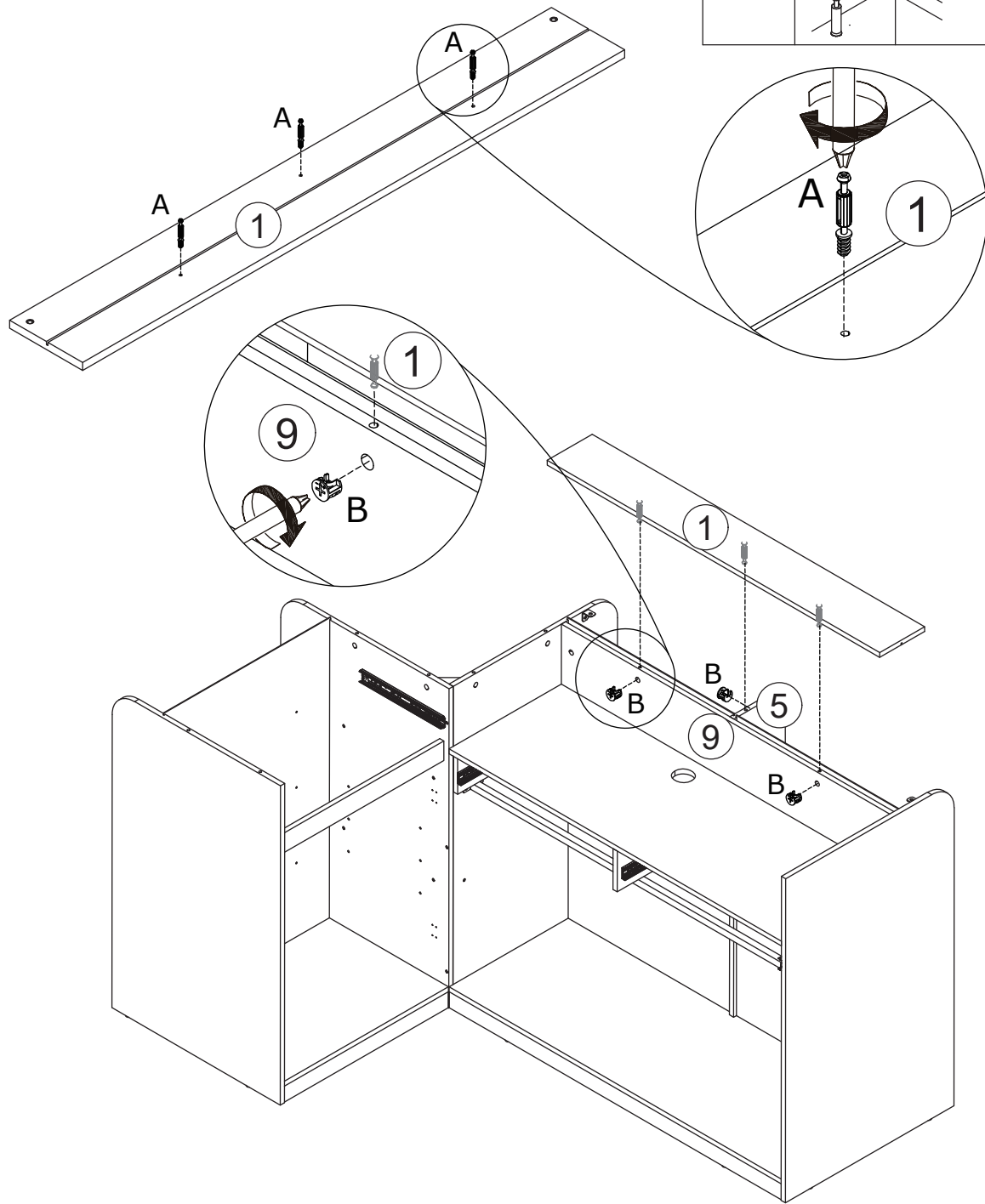
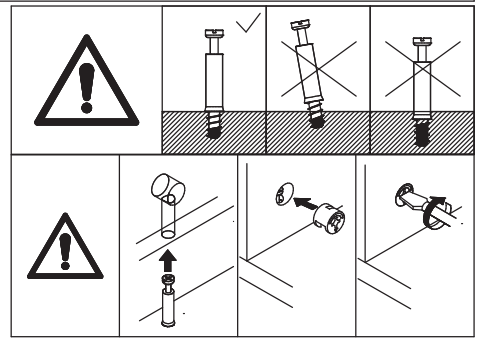
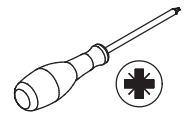
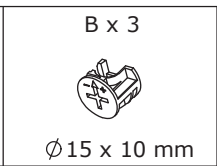
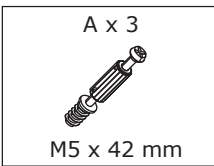


Insert back board 25 along grooves as shown.



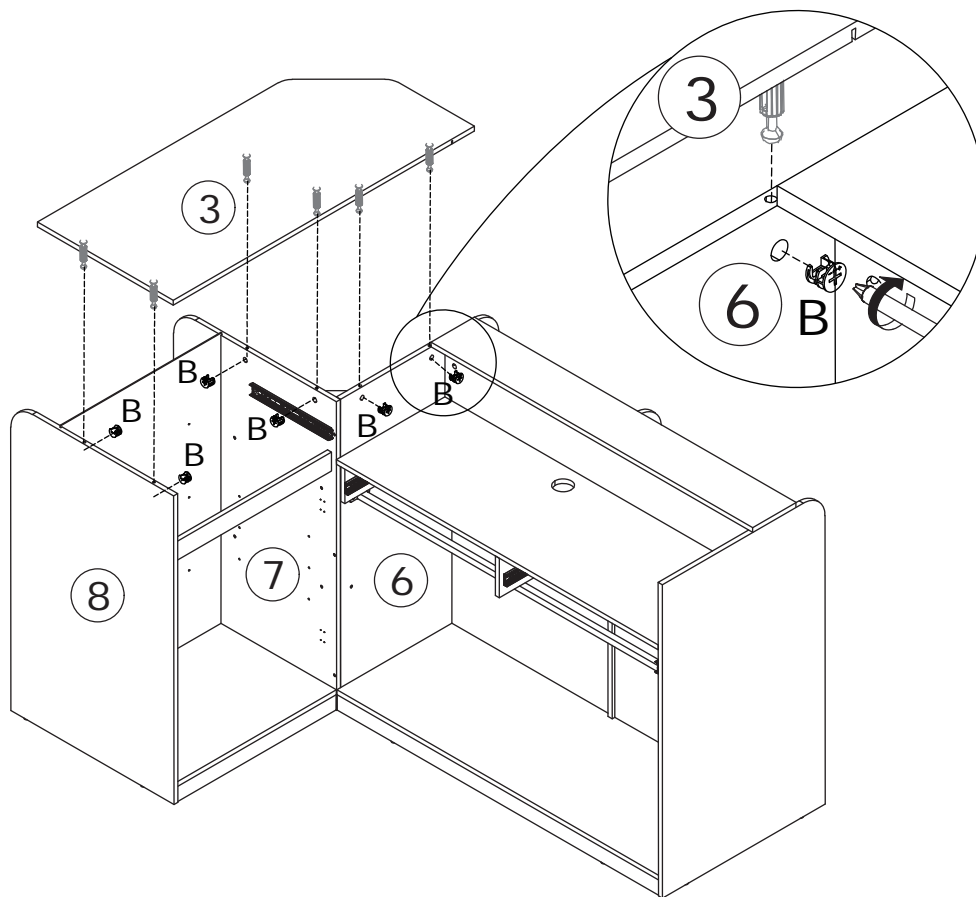
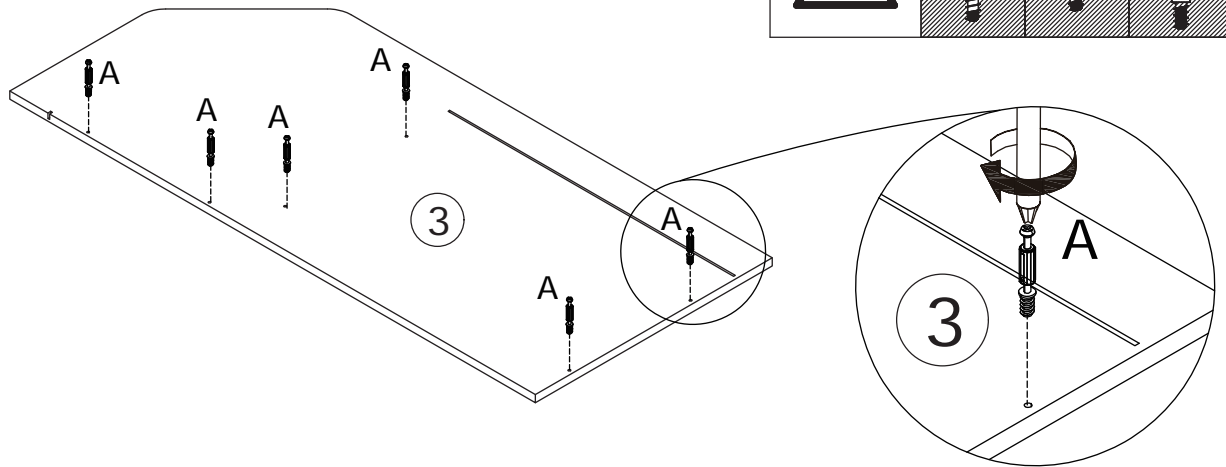
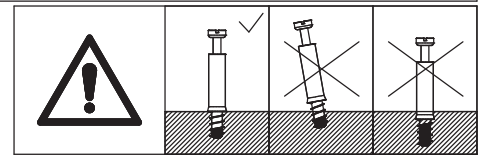
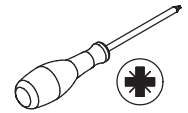
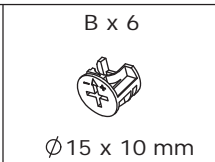
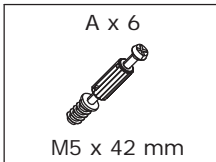
Fix board 25 to board 14 and 15 with screw(E) as shown.

23



Screw eccentric rod(A) into board 1 at first.
Attach board 1 to board 5 and 9, add cam lock(B)
into and turn clockwise to tighten as shown.

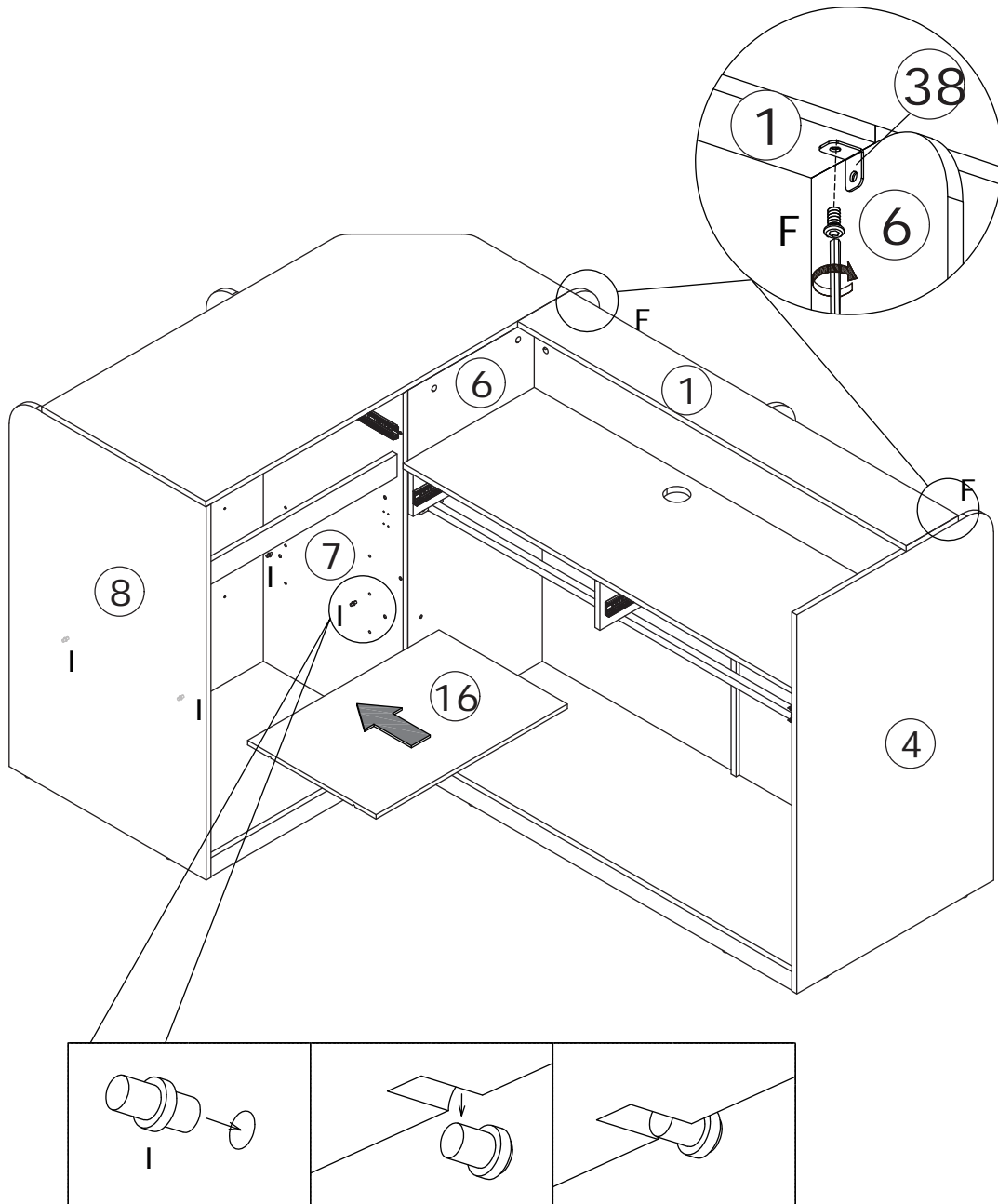
24



Screw eccentric rod(A) into board 3 at first.
Attach board 3 to board 6, 7 and 8, add cam lock(B)
into and turn clockwise to tighten as shown.

25

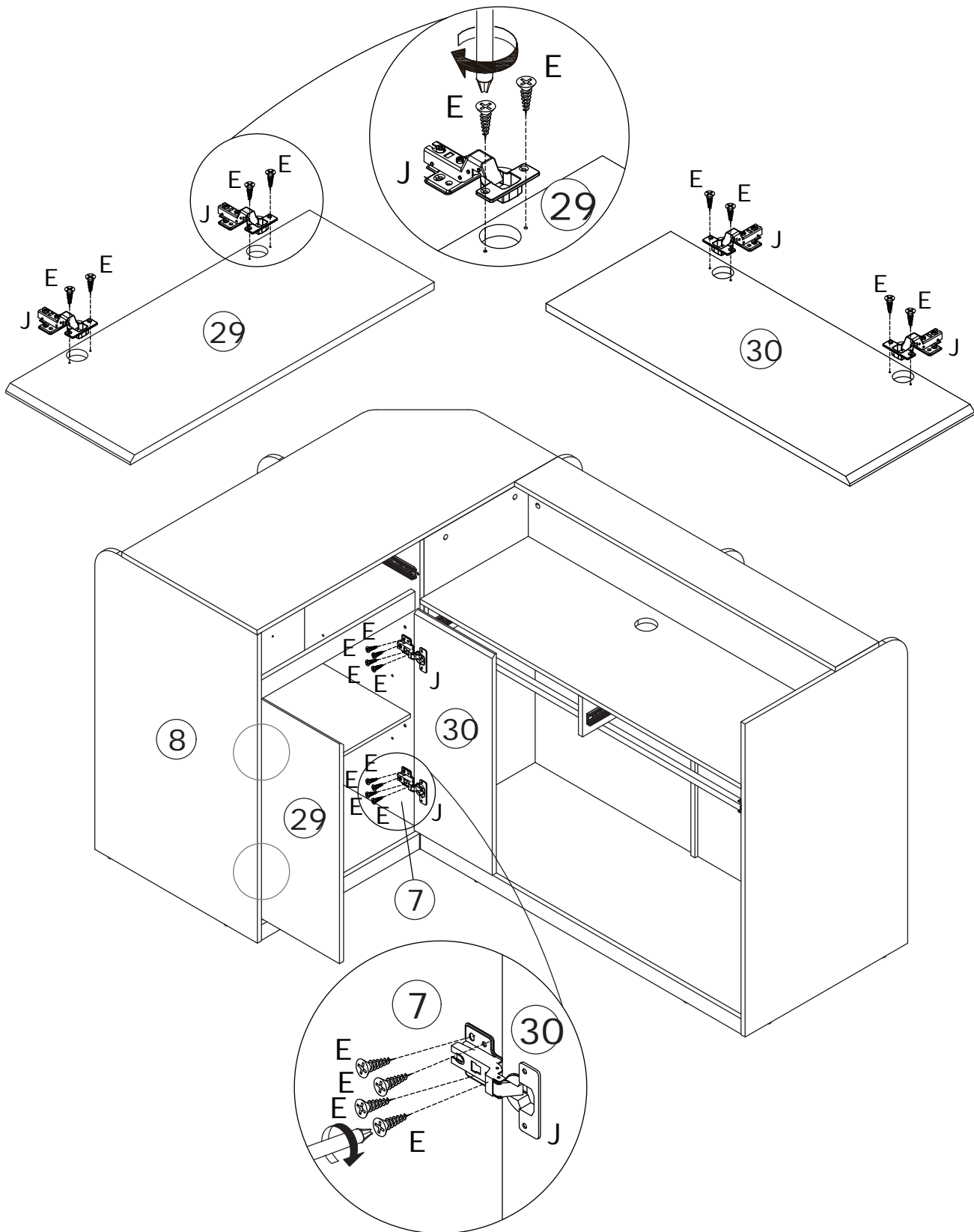
F x 2  M6 x 12 mm	I x 4  Ø5	
--	--	---



Fix part 38 to board 1 with screw(F) as shown.
Insert layer pin(I) into board 7 and 8 and place
shelf board 16 in as shown.

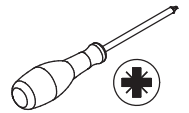
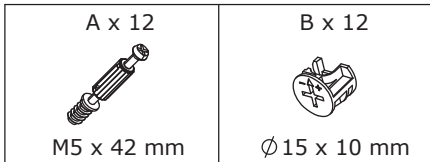
26

E x 24  M3.5 x 14 mm	J x 4  DW	
---	--	---



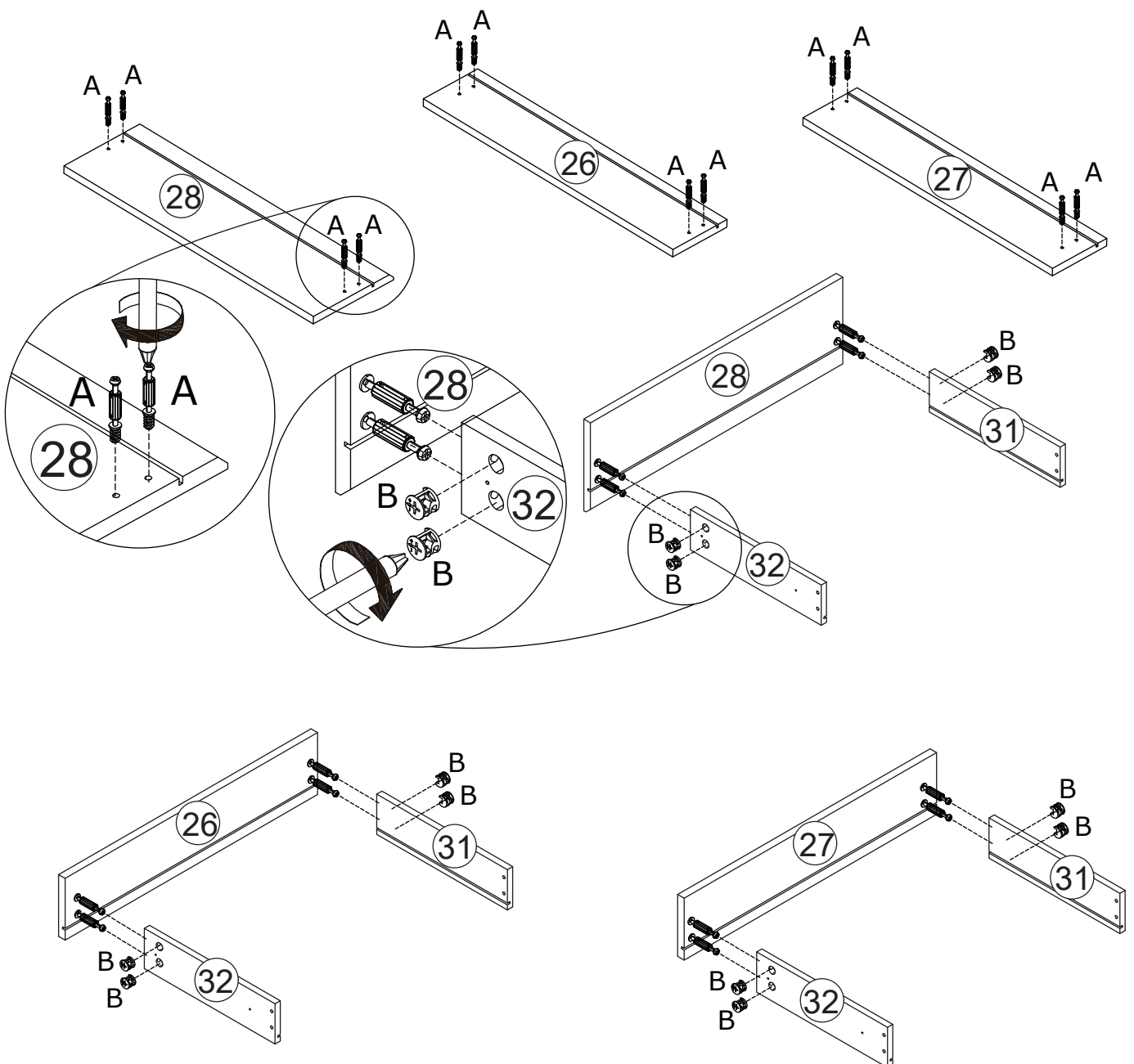
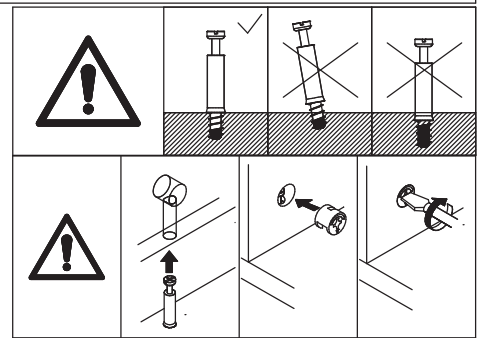
Fix hinge(J) to board 30 and 29 with screw(E) as shown.
Assemble two doors to board 8 and 7 by fixing hinge with screw(E)
as shown.

27

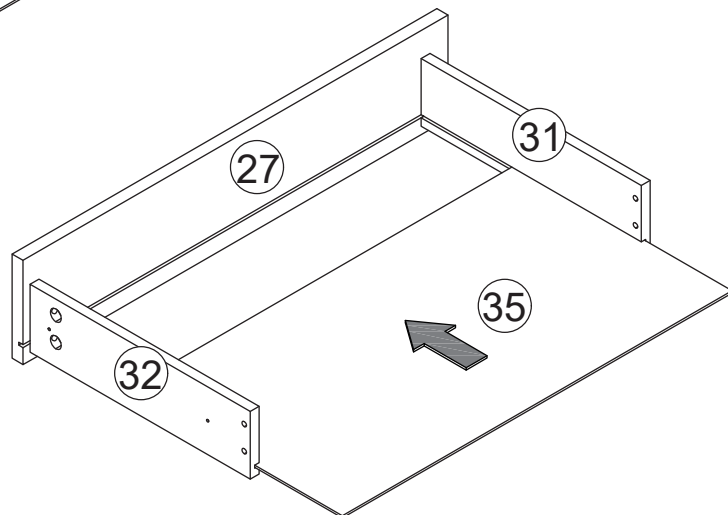
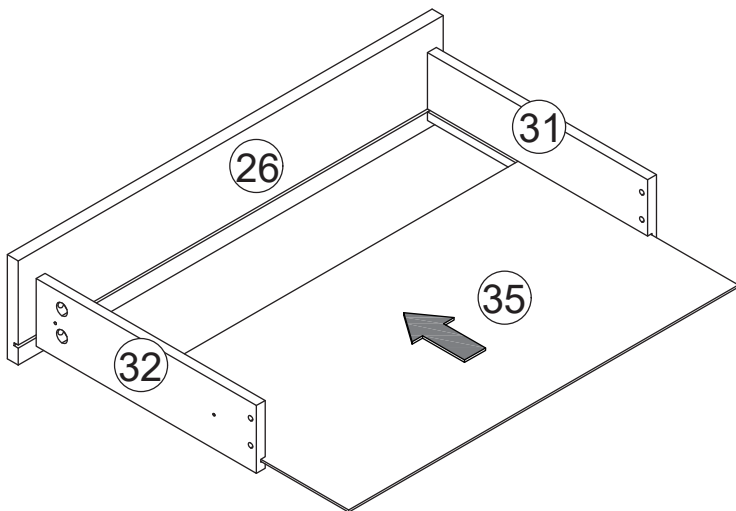
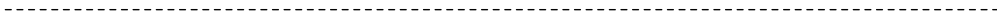
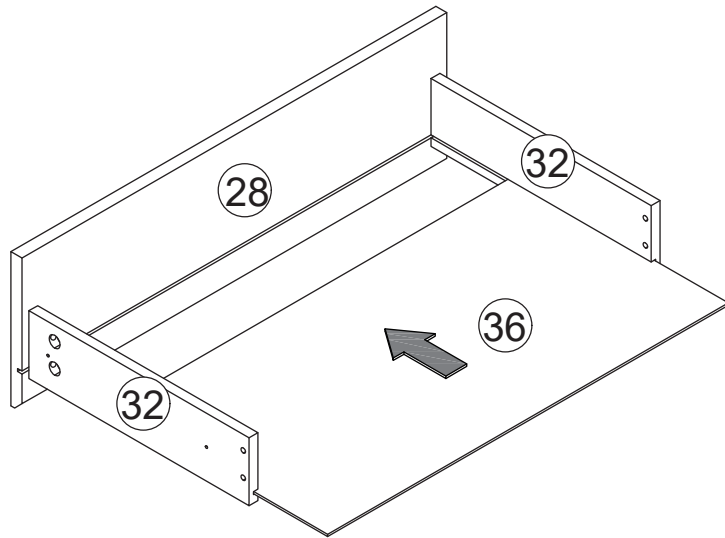
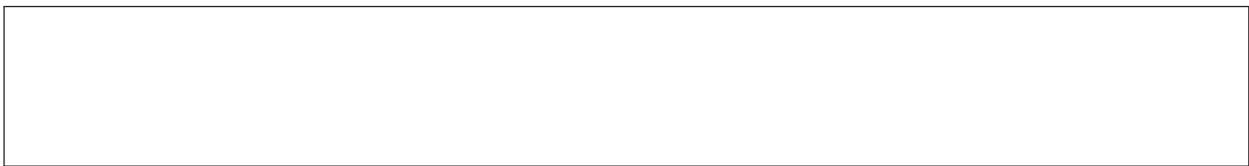


Screw eccentric rod(A) into board 26, 27 and 28 at first.

Attach board 26, 27 and 28 to board 31 and 32, add cam lock(B) into and turn clockwise to tighten as shown.



28



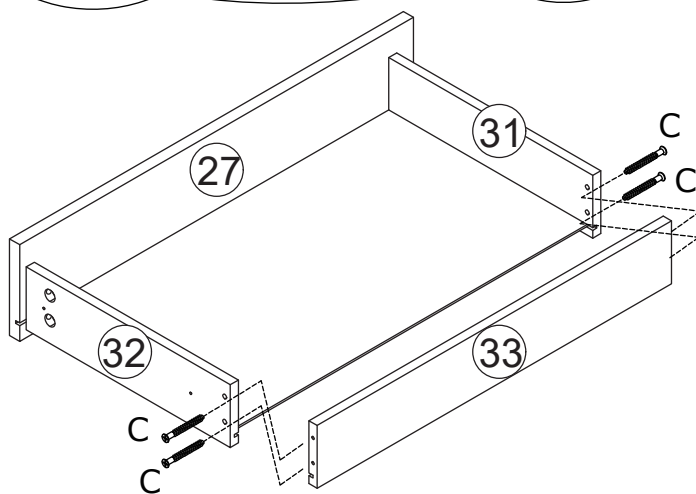
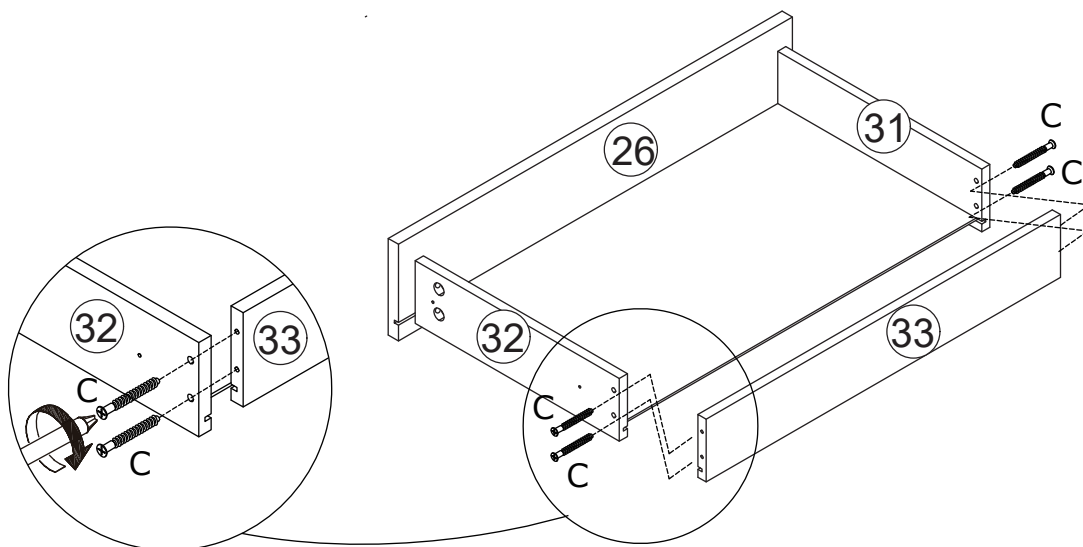
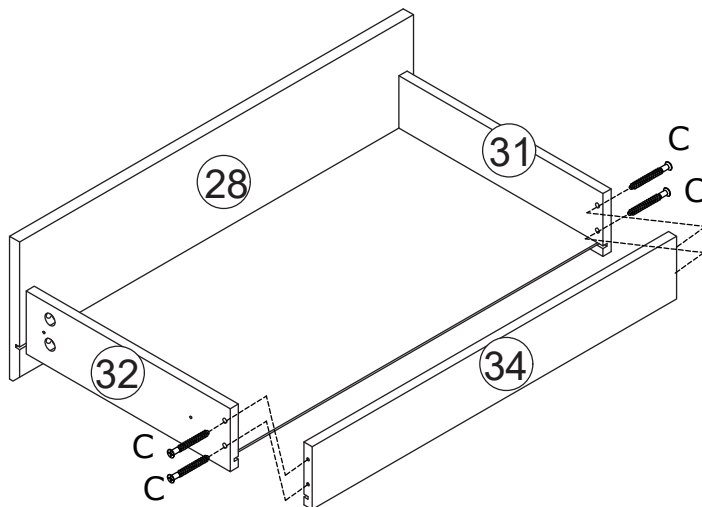
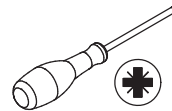
Insert bottom board 35 and 36 along grooves as shown.

29

C x 12



M5 x 40 mm



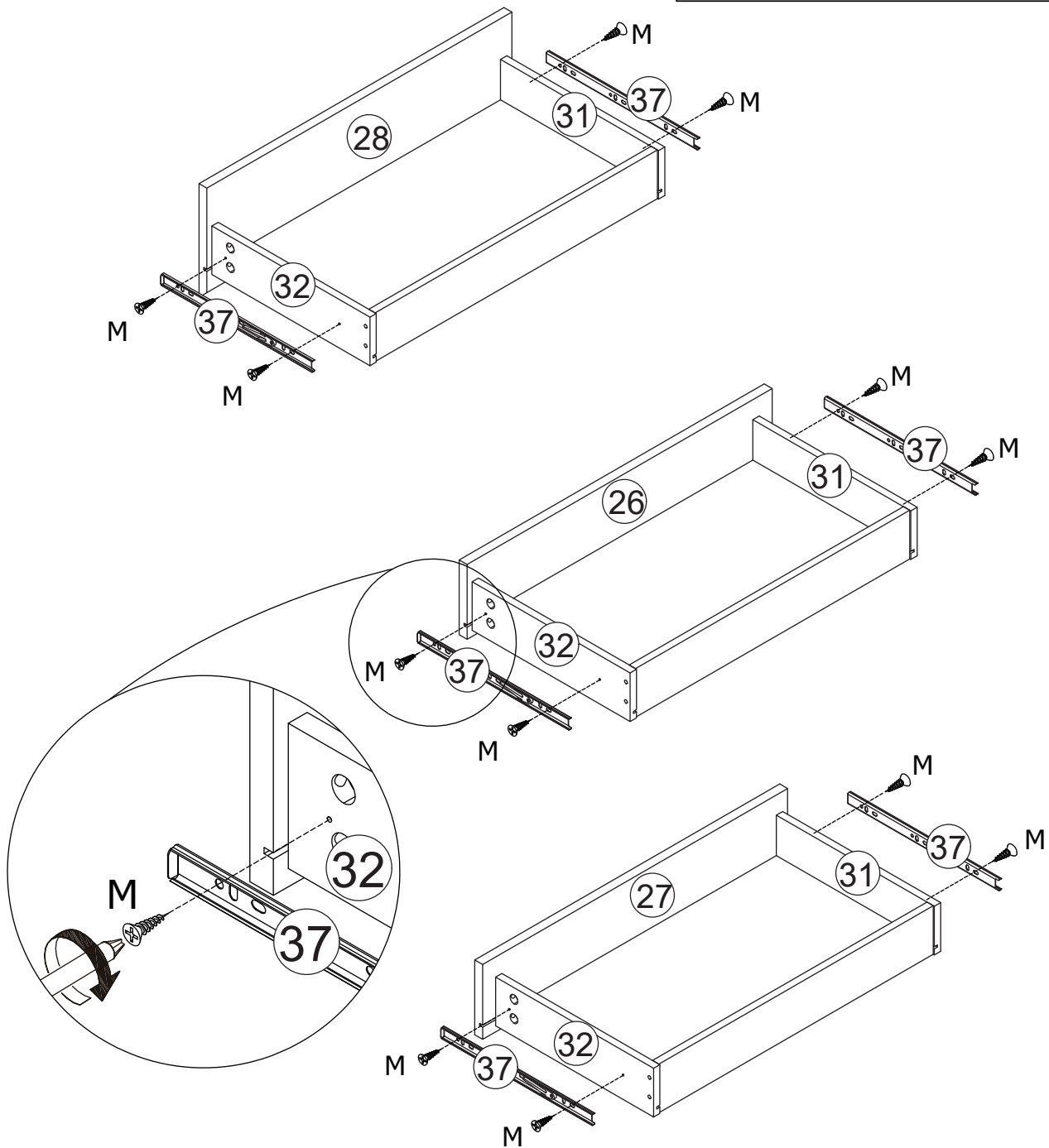
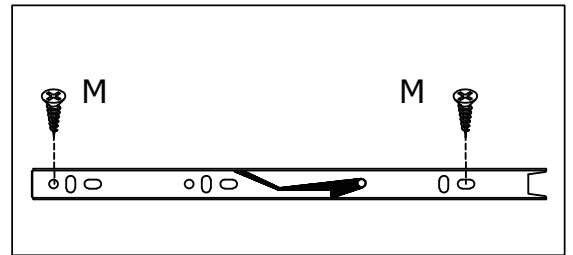
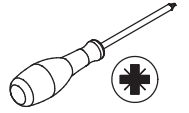
Fix board 33 and 34 to board 31 and 32 with screw(C) as shown.

30

M x 12

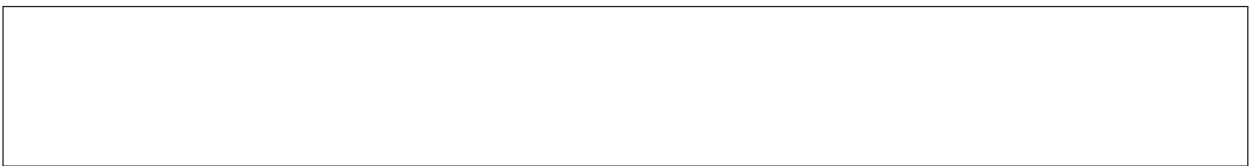


M3.5 x 12 mm

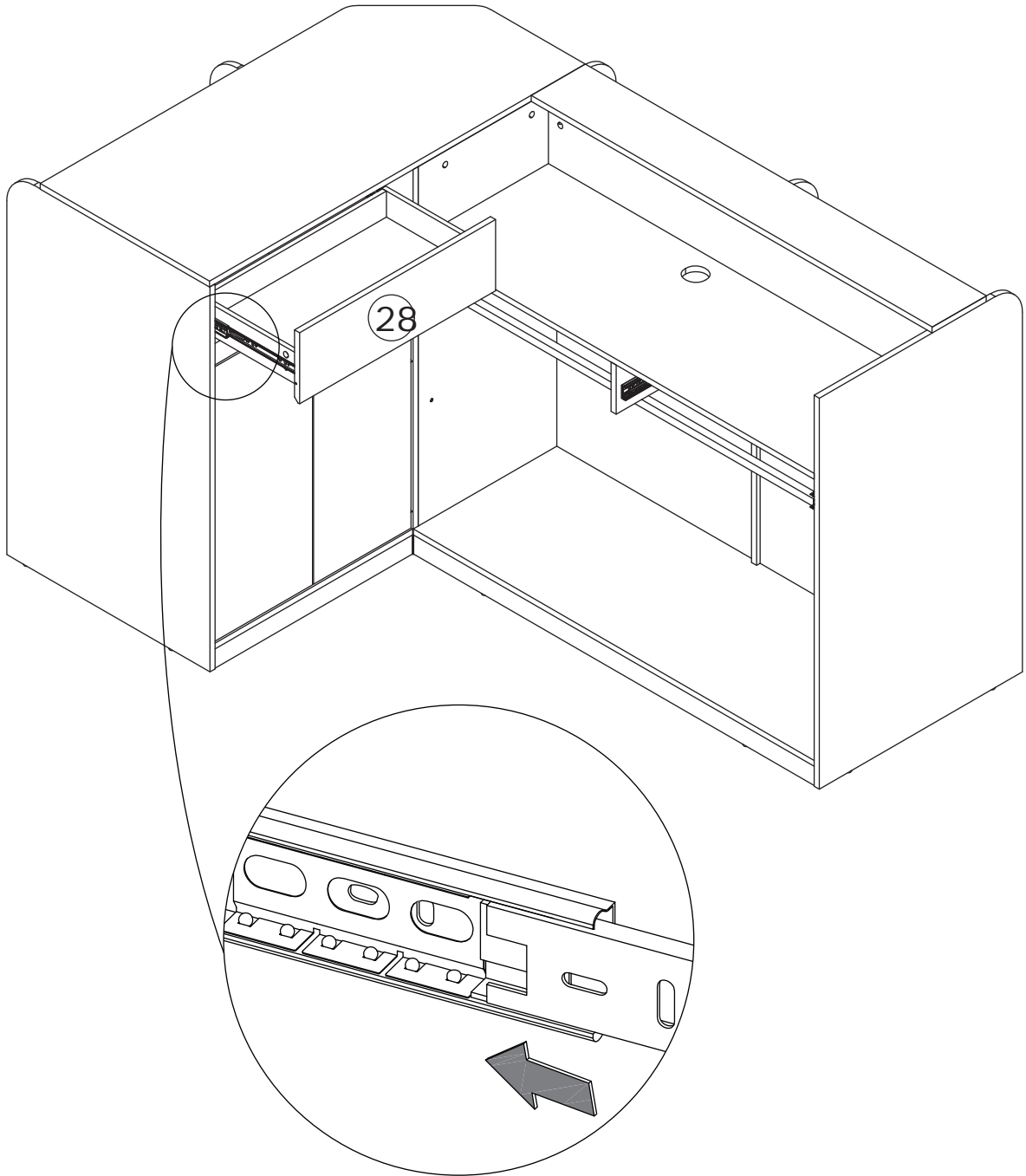


Fix runner 37 to board 31 and 32 with screw(M) as shown.

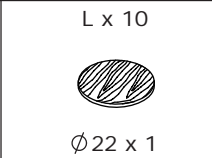
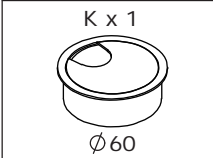
31



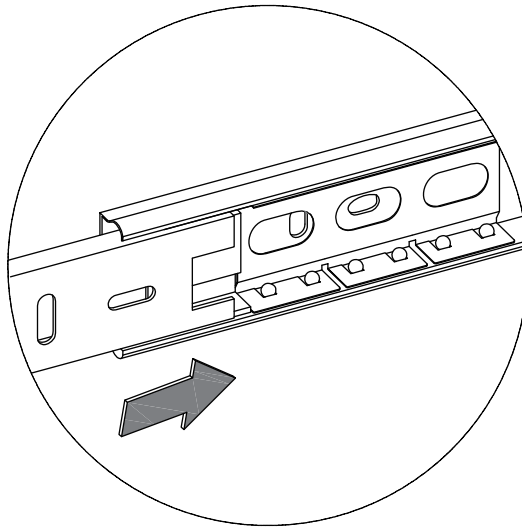
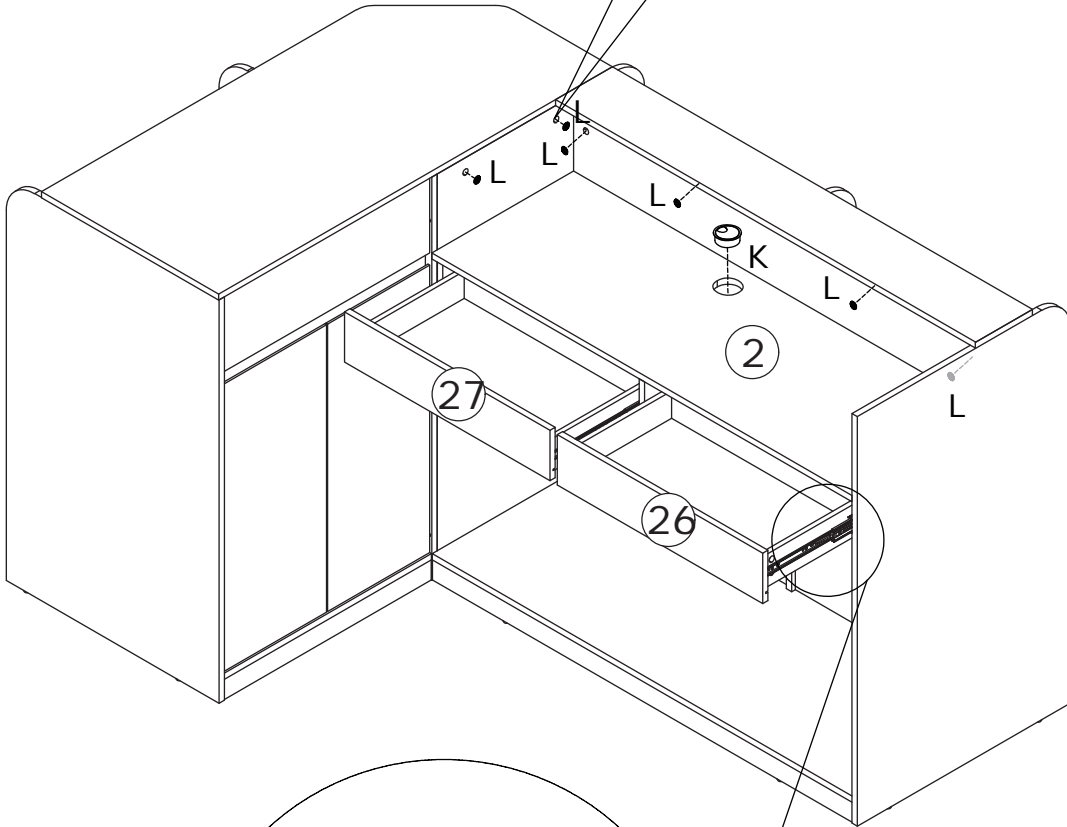
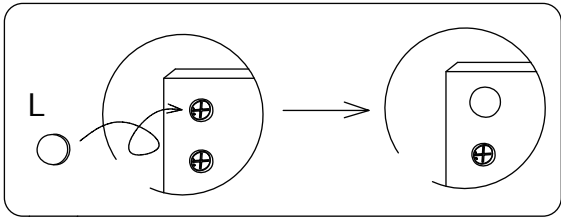
Align rails, insert drawer 28 in.

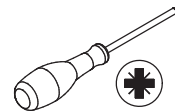


32



Align rails, insert drawer 26 and 27 in.
Use stick(L) to cover cam lock holes.
Put wire box(K) in to the holes as
shown.

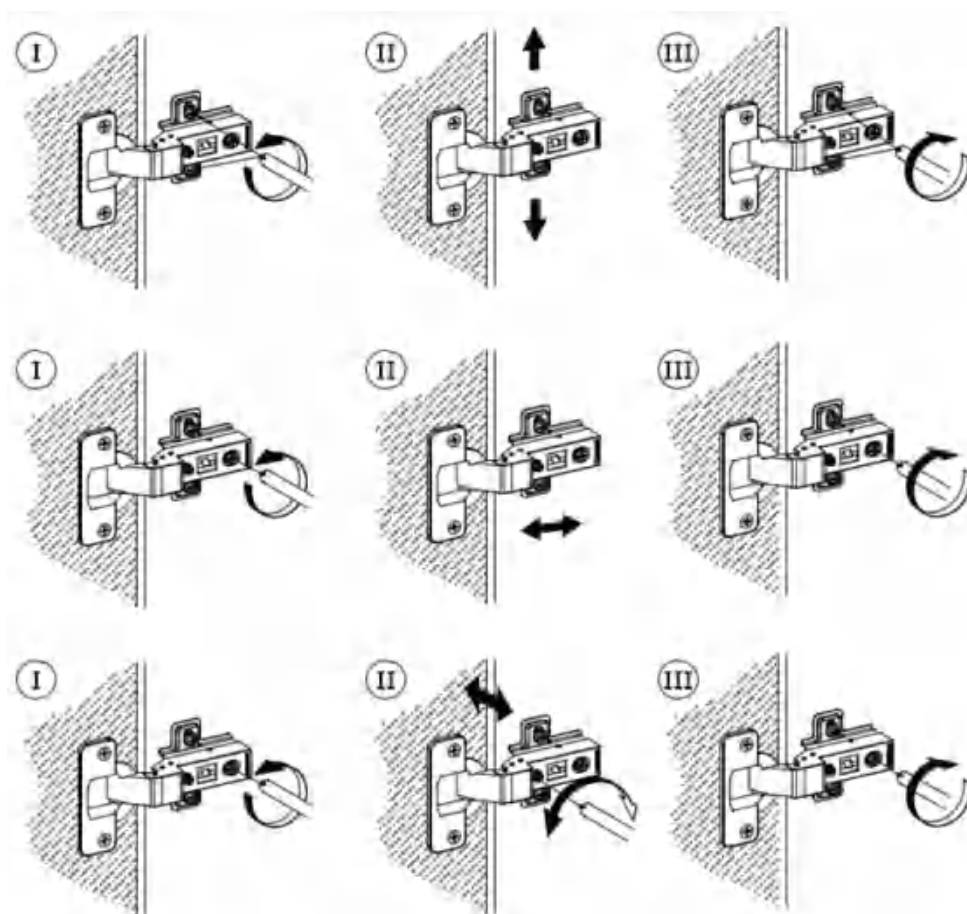
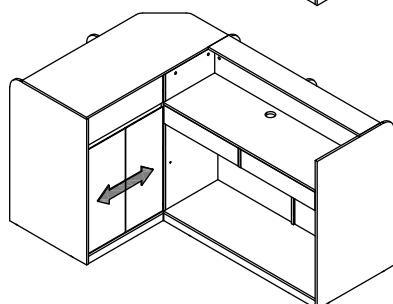
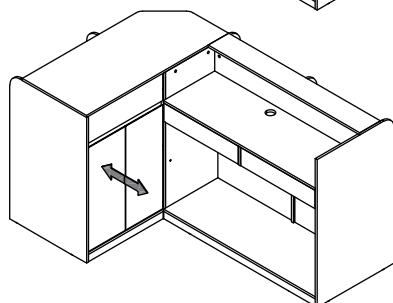
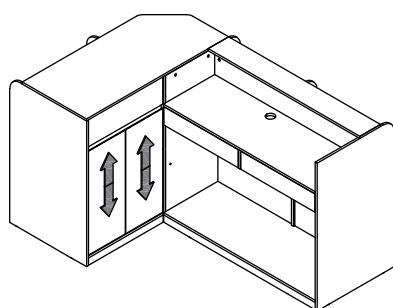




If there is misalignment after you install, adjust the screw to the best condition.

If doors are still not aligned if the hinges are properly correctly, please watch the video.

<https://youtu.be/n0Lb36SoODM>



WARRANTY

WARRANTY CLAIMS

- There is a 30-day warranty for broken furniture or any other problems that do not work properly. The warranty will start from the date of purchase which must be verified by proof of purchase.
- Before making a claim, we may be able to answer your query, simply call us. Please leave your purchase order number, along with some details of the problem, if you want a replacement part. We will arrange within 48 hours. If there is out of stock, we will reply with a shipping date.
- The product must be used in accordance with the instructions provided. For health reasons.
- For other reasons, if the furniture needs to be returned, it must be cleaned and dried and operated within 30 days of receipt.

Type of Warranty Claim

- Failure to follow the furniture instructions will invalidate the warranty. Attention please.
- Does not include damage during installation, but includes damage during transportation.

Scope of responsibility

- Shall not bear any responsibility for misuse or user damage and / or loss of parts during the installation of furniture.
- After using, the damage and scratches of the furniture are not covered by the warranty.

The Warranty Relates to All Bought in The Us and Covers The Following Areas

- Sheet parts: 1 month from the date of purchase.
- Electrical parts: 1 month from the date of purchase.

RETURNS

CHANGED YOUR MIND AND NEED TO RETURN YOU ITEM?

PLEASE FOLLOW THE BELOW INSTRUCTIONS:

- If you have purchased and have simply changed your mind, follow the retailer's instructions for returns.

DEFECTIVE ITEMS

- If your item is defective in any way, i.e. it doesn't work but you can't identify why, in the first instance, please call us.

DAMAGED ITEMS

- If you receive an order with obvious shipping damage from the retailer, then we suggest the delivery is refused. If the delivery has been accepted and then shipping damage is found, please follow the specific instructions advised by the retailer.
In all circumstances please save all packaging material and paperwork for the order. Please be aware that if you dispose of packaging material or attempt to return the merchandise without contacting the fulfiller, you jeopardise your chances of making a claim, and you may not receive a credit for the return.

AFTER-SALES CONTACT

