












Wooden Planter Box with Universal Pole Holder



Included Parts

 Before you throw away the box, please check that you have all the parts listed below. If any are missing, please contact our customer service at the contact above and we will gladly ship your replacement parts free of charge. Please have your order # ready to expedite the process.

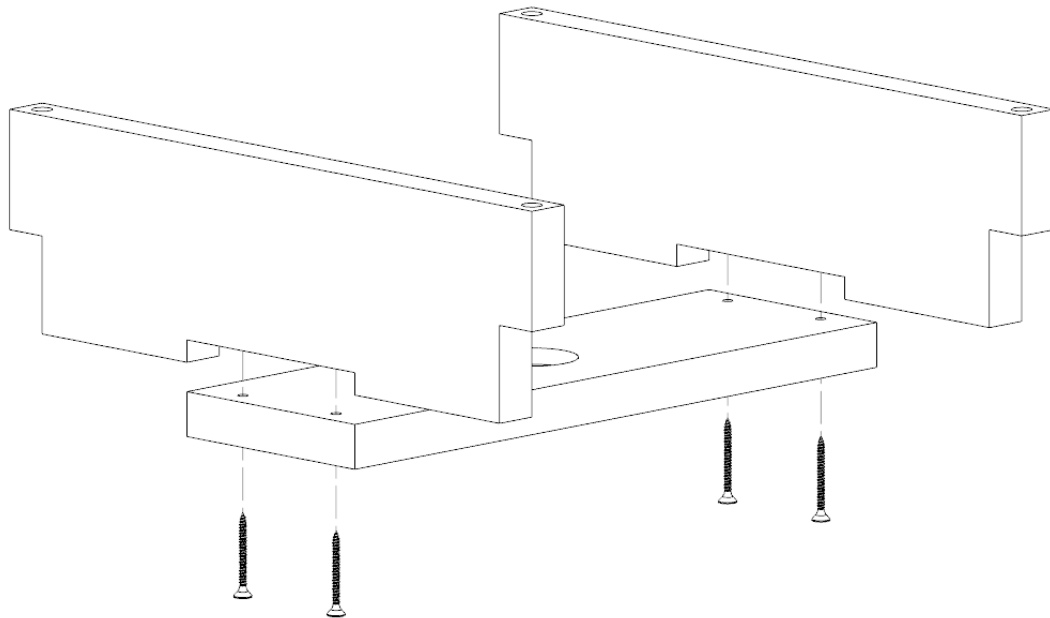
<u>Bottom Pole Base Support</u>	<u>Bottom Base</u>	<u>Middle Pole Support</u>	<u>Lower Side Support</u>	<u>Pole Side Support</u>
				
x 1	x 2	x 1	x 2	x 2
<u>Side Support</u>	<u>Pole Support</u>	<u>Threaded Bolt</u>	<u>Bolt Caps</u>	<u>Screws</u>
				
x 8	x 1	x 4	x 4	x 3 (Short) x 8 (Medium) x 8 (Long)

Assembly Instructions

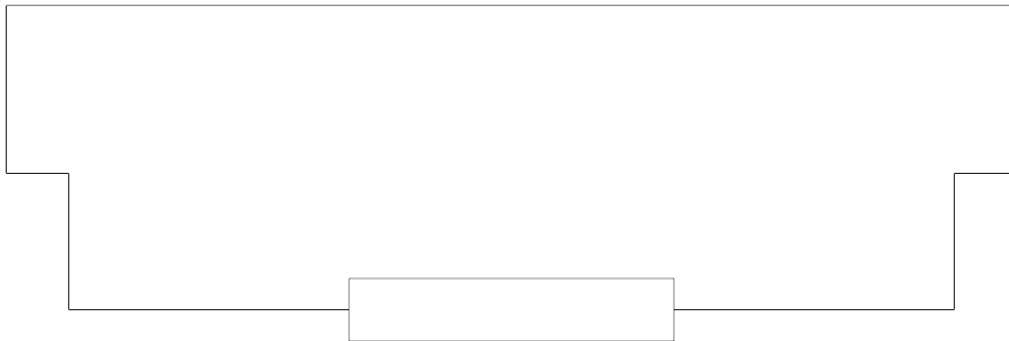
Tools/Materials Needed:

- Screwdriver (a drill or driver can help expedite the assembly process, but be careful not to overtighten the screws as wood splitting may occur)
- Gravel
- Potting Soil

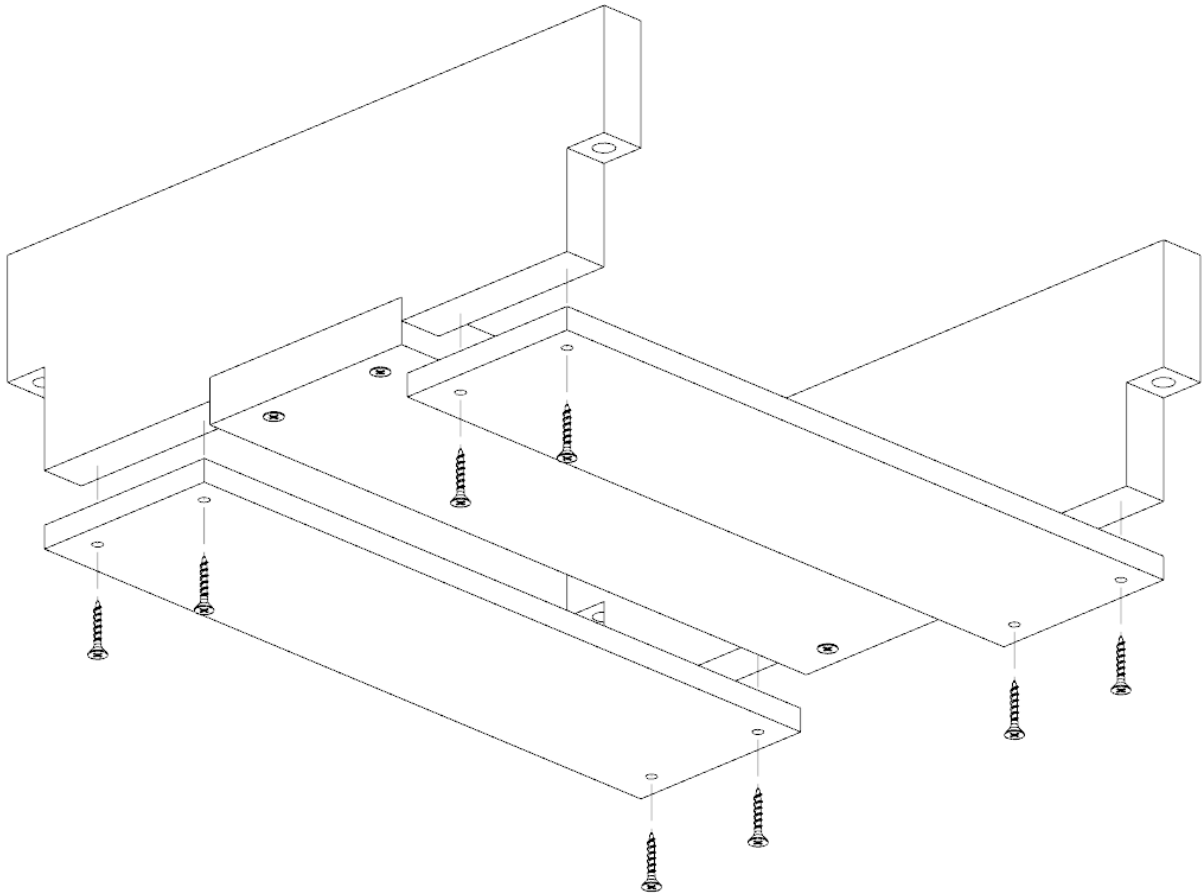
1) Screw the bottom pole base support to the lower side supports using the long screws



Note: The bottom support board should ***NOT*** sit flush with bottom of the side supports:

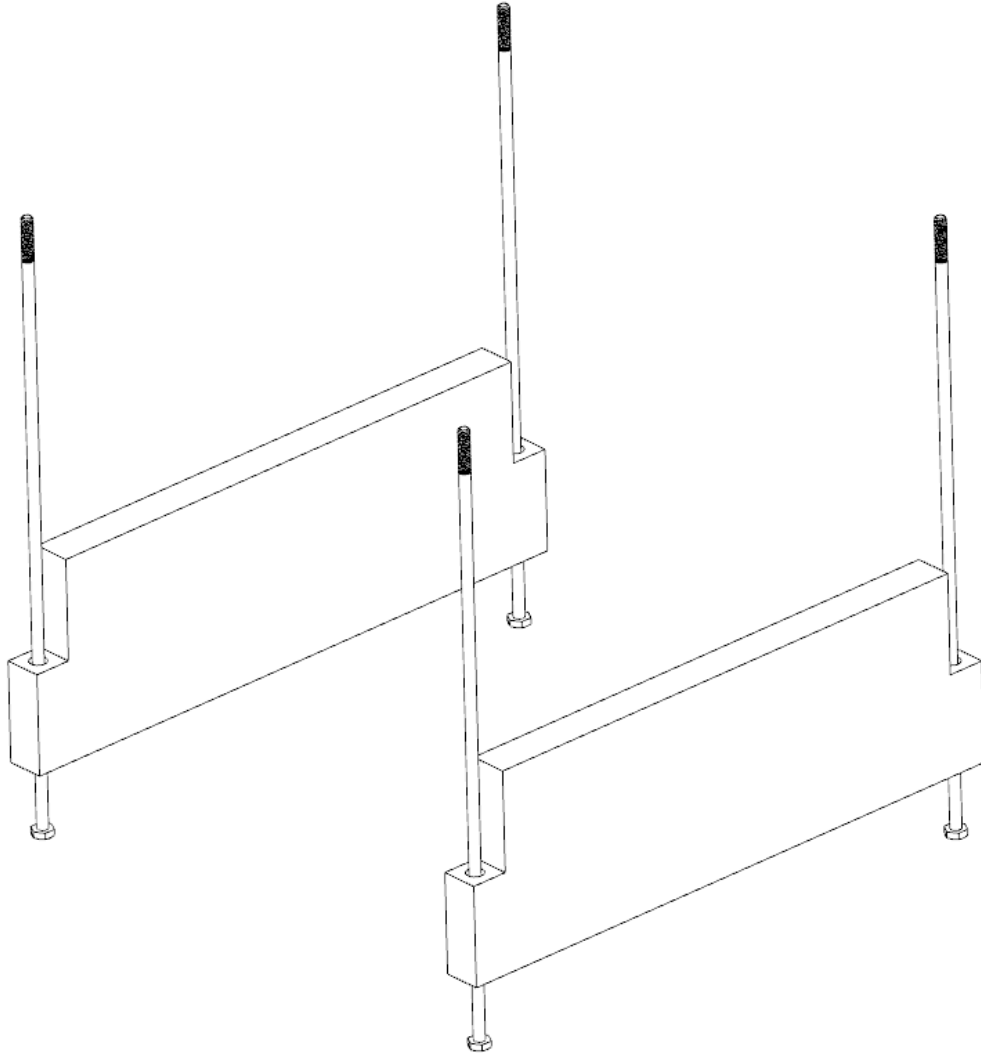


2) Screw the bottom bases to the lower side supports using the short screw

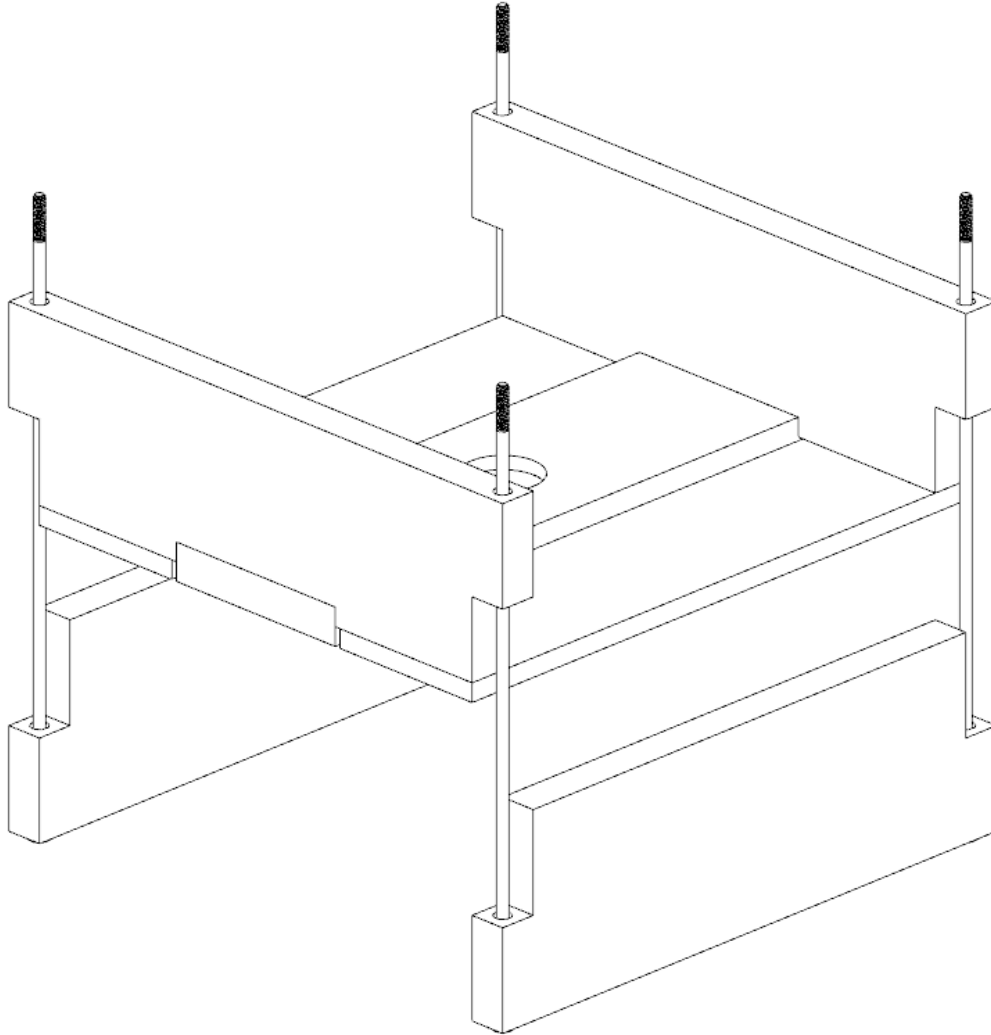


NOTE: There should be a small gap between the boards – this is normal and is designed to help with drainage

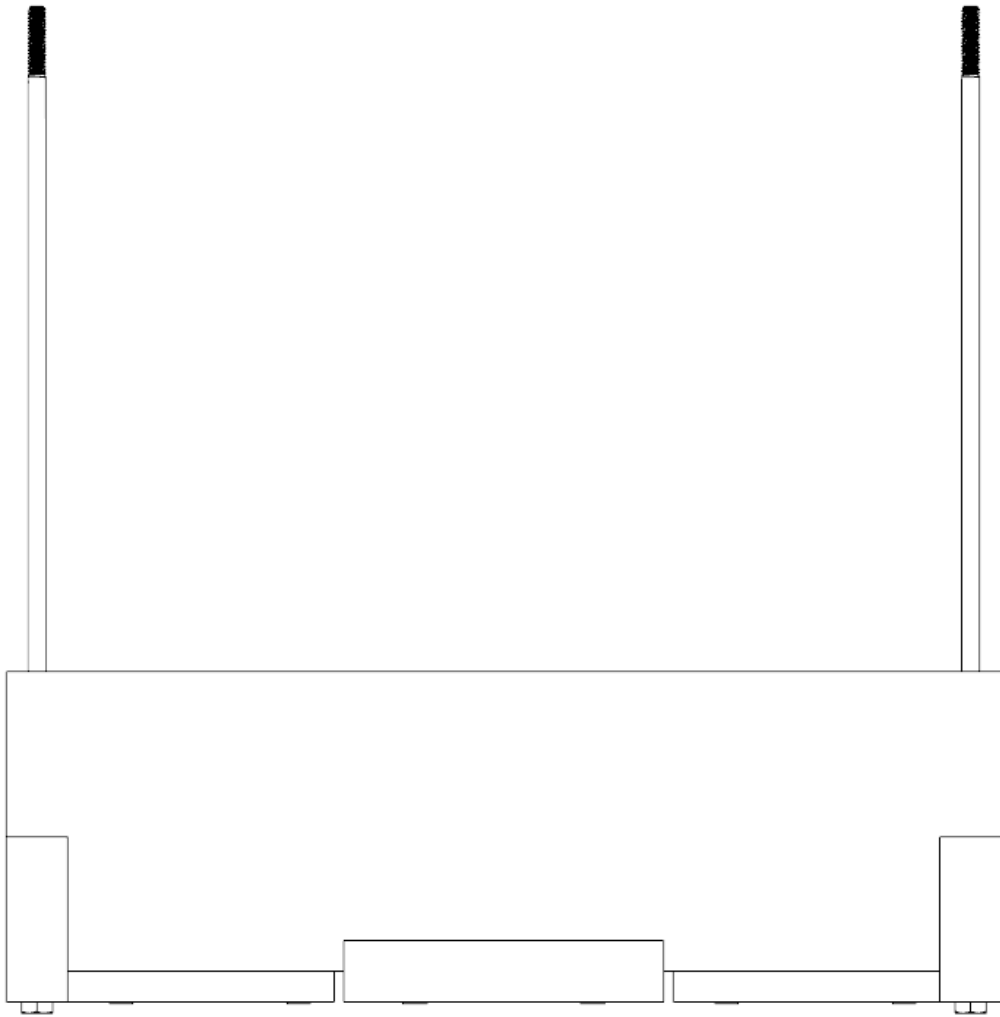
3) Slide the long bolts through the holes on two of the side supports



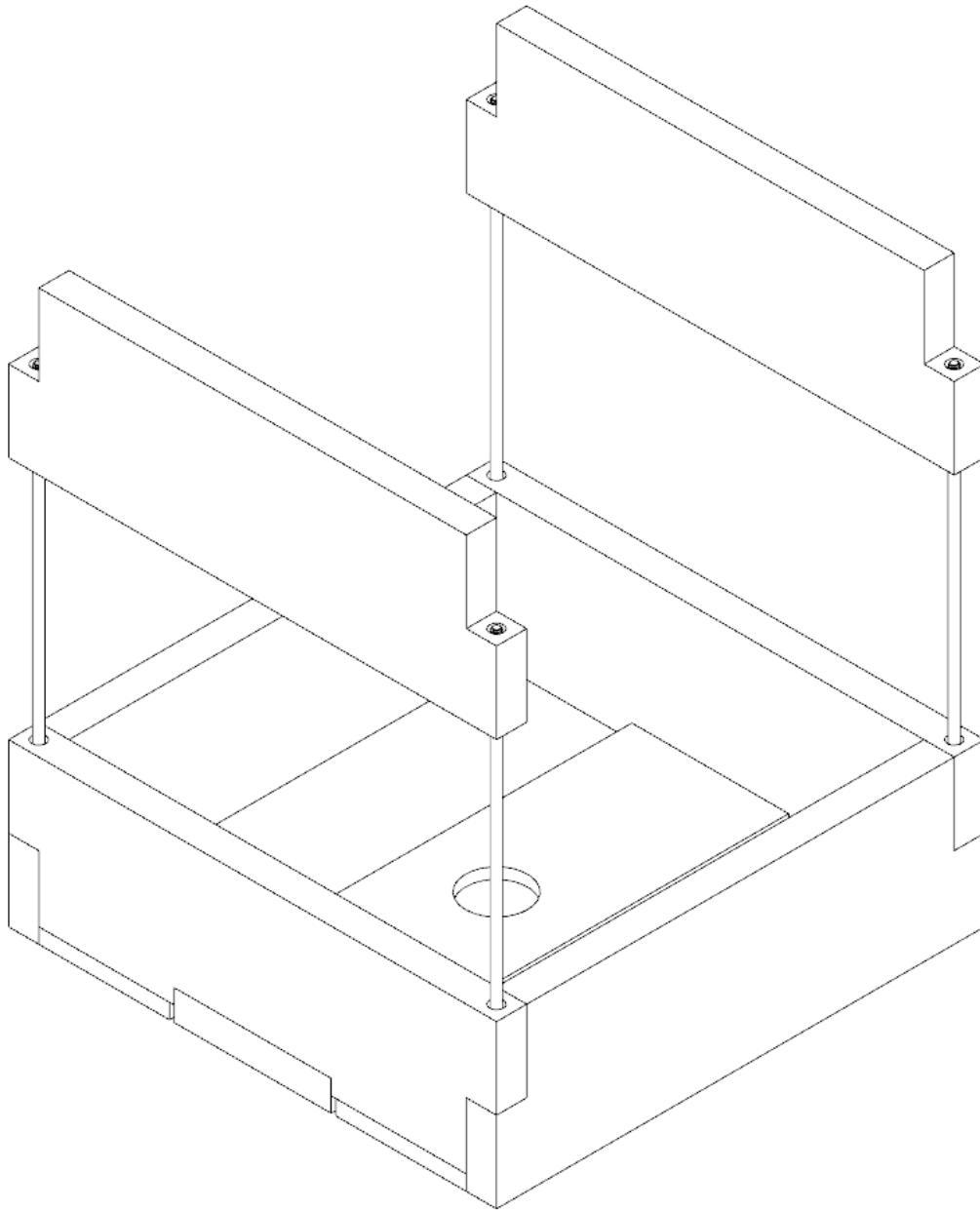
4) Slide the assembly created in steps 1 and 2 on top of the bolts and all the way down



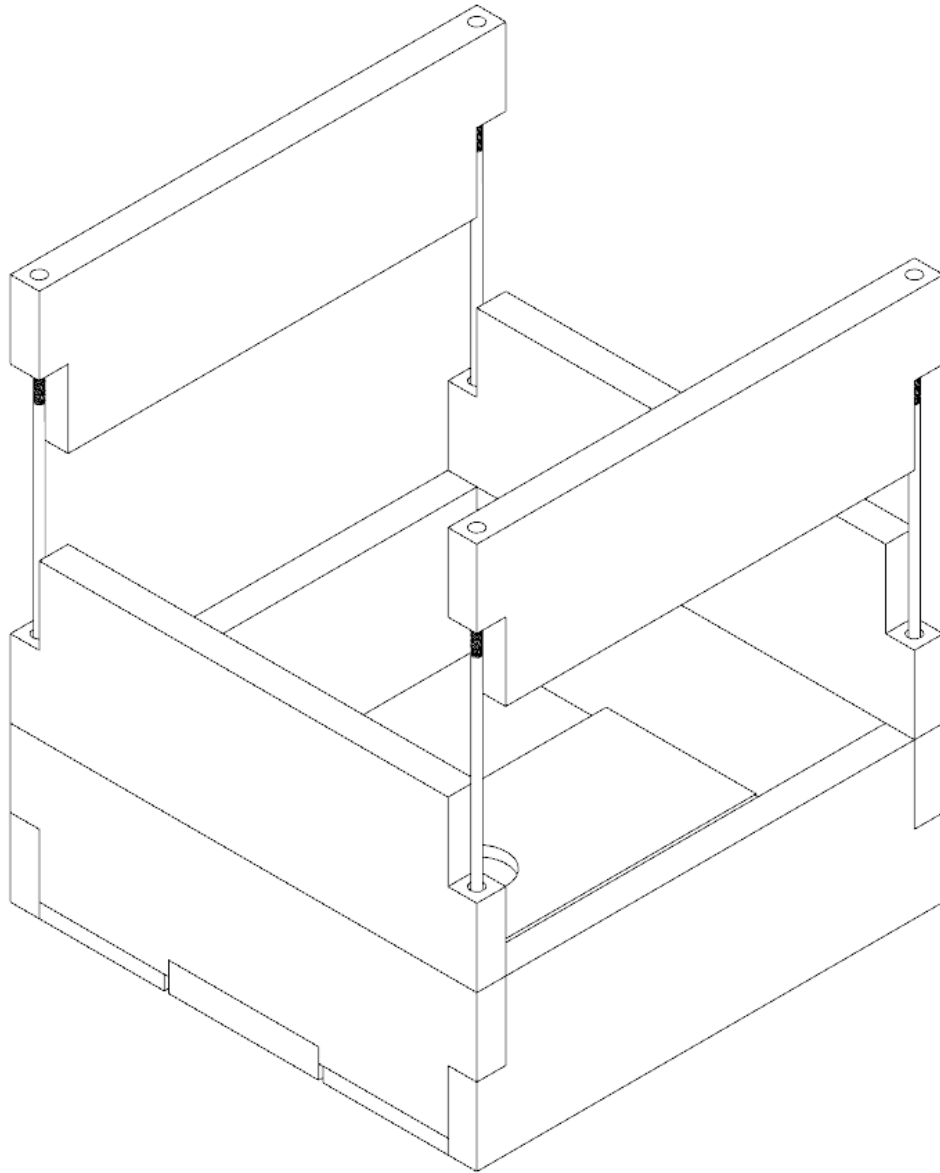
5) All boards should now be flush with each other on the bottom



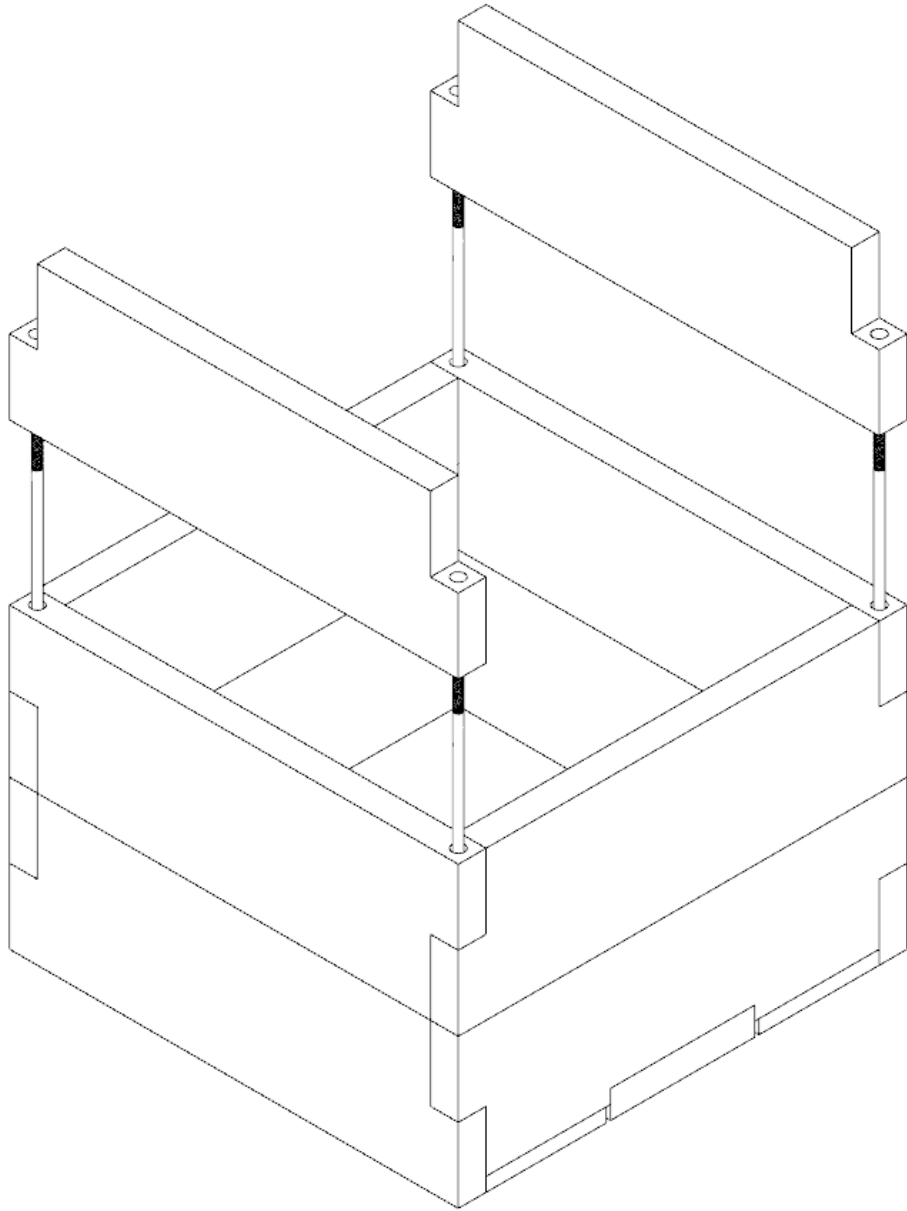
6) Stack two more side boards with the long part on the bottom through the rods:



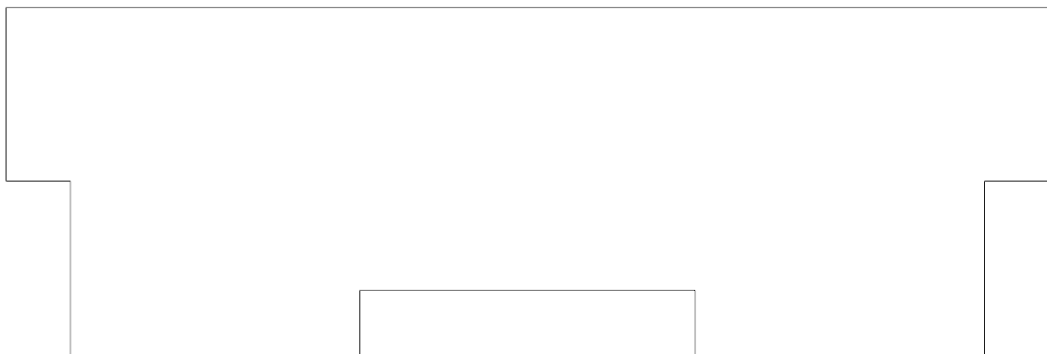
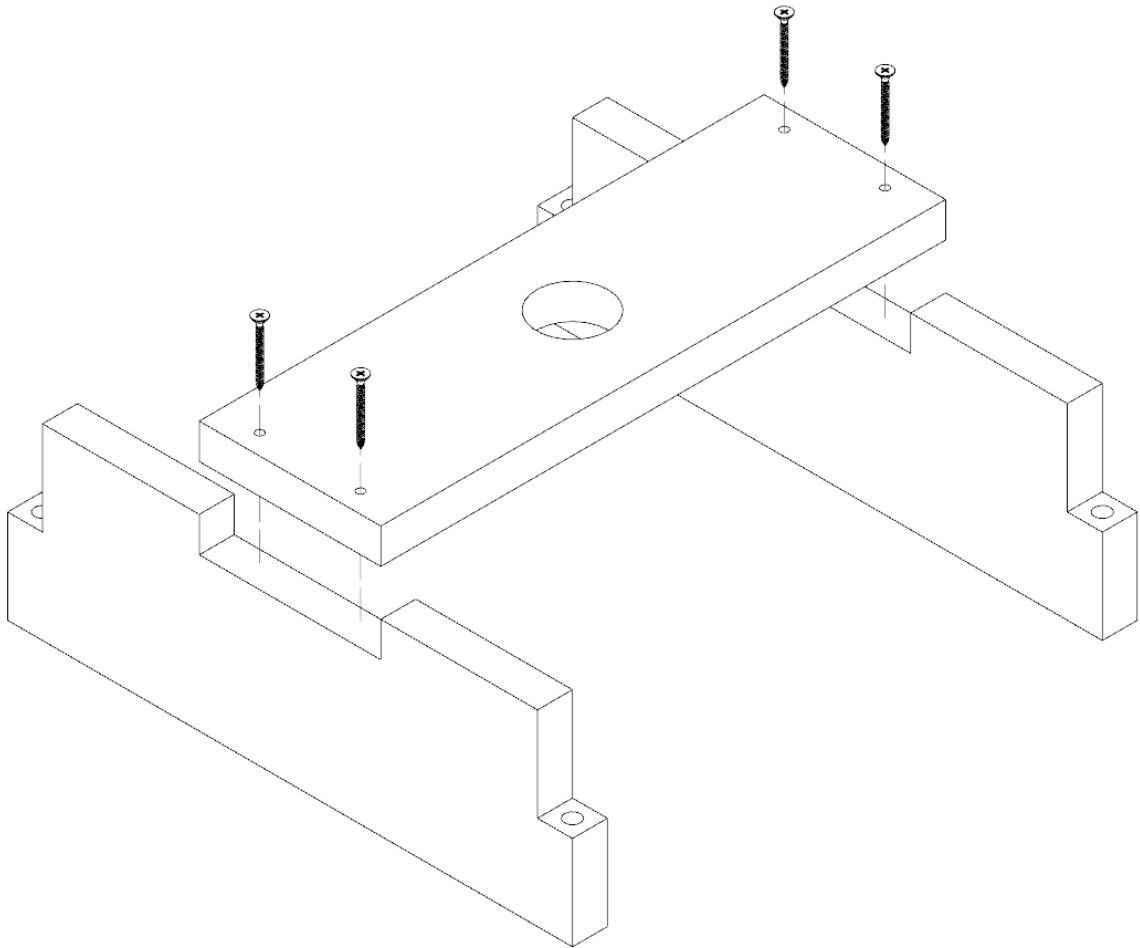
7) Repeat the process this time with boards facing short side down



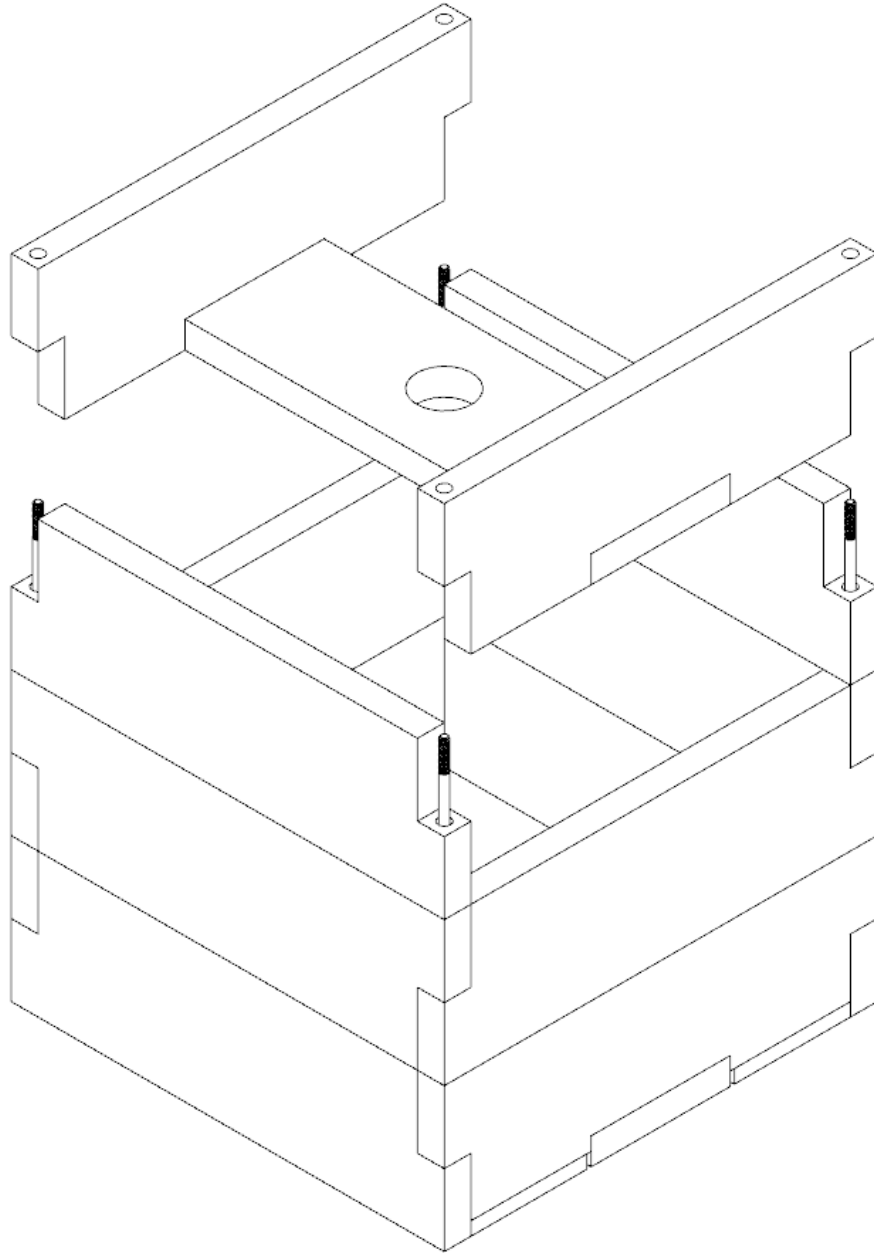
8) Repeat the process one more time with boards facing long side down



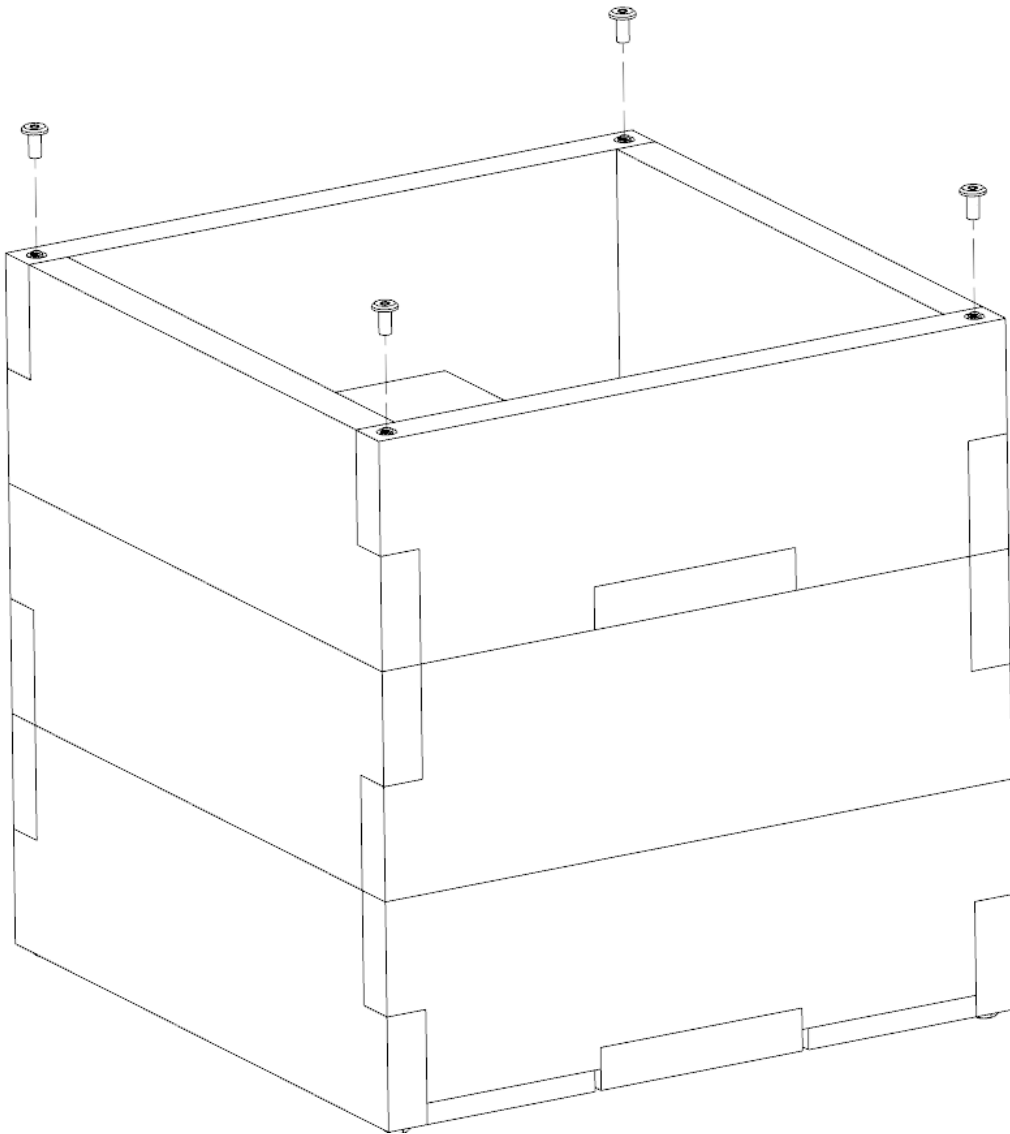
- 9) Screw the middle pole support board to the pole support side boards – it should fit flush with the notch



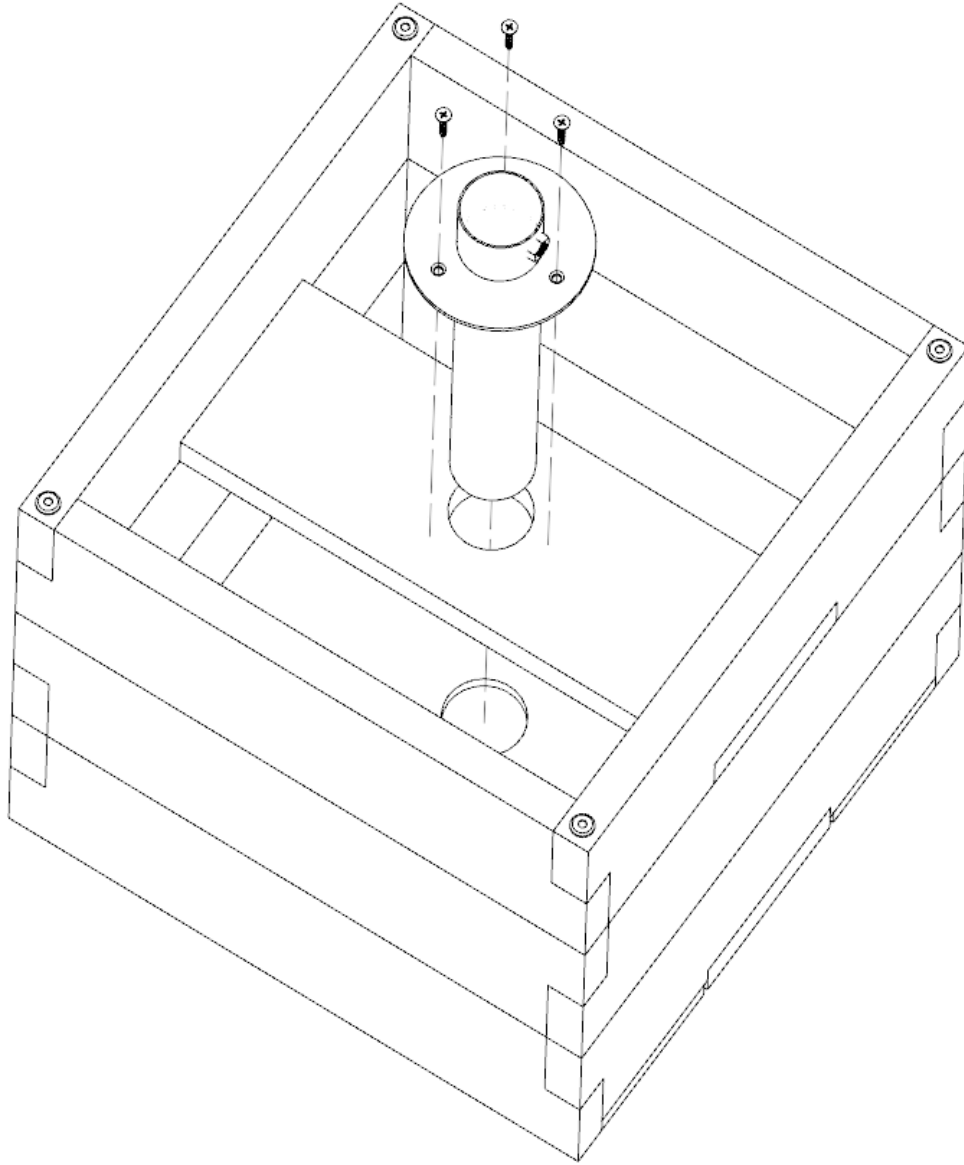
10) Slide the board assembly created in step 9 through the rods



11) Place the bolt caps on top of the rods and tighten using the included allen wrench



- 12) Slide the metal pole support tube through the hole until it nests into the circular groove on the bottom. Then screw the flange to the support board:



13) Slide your light pole, umbrella, or other pole into the metal tube and secure by tightening the wingnut. To stabilize the planter, we recommend adding gravel until it reaches the top of the support beam and then add potting soil above. This will allow for the best drainage while still giving you the ability to grow beautiful plants.

Note: The wood is finished with a food-safe, oil-based, waterproof sealer. This will help protect the wood for outdoor use.

