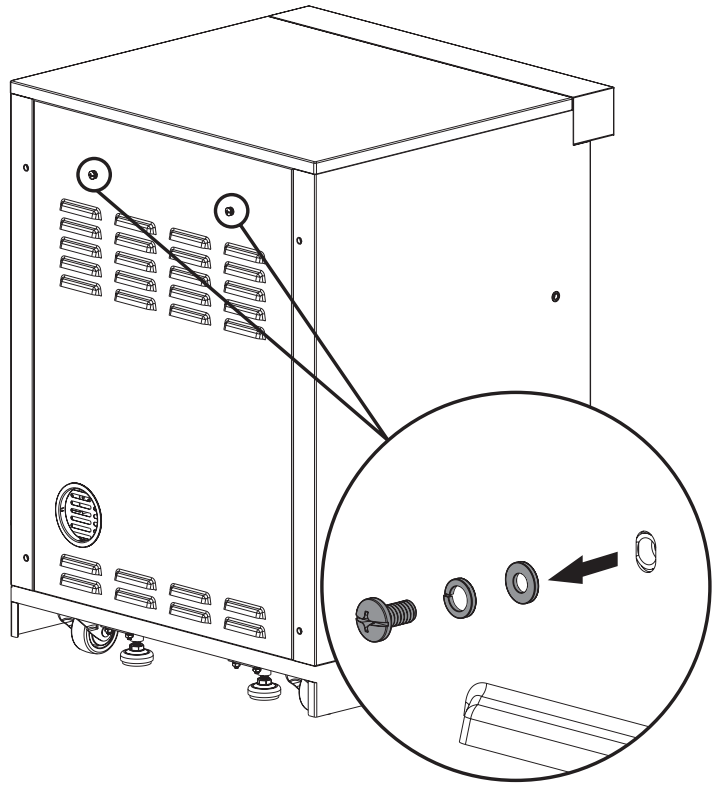
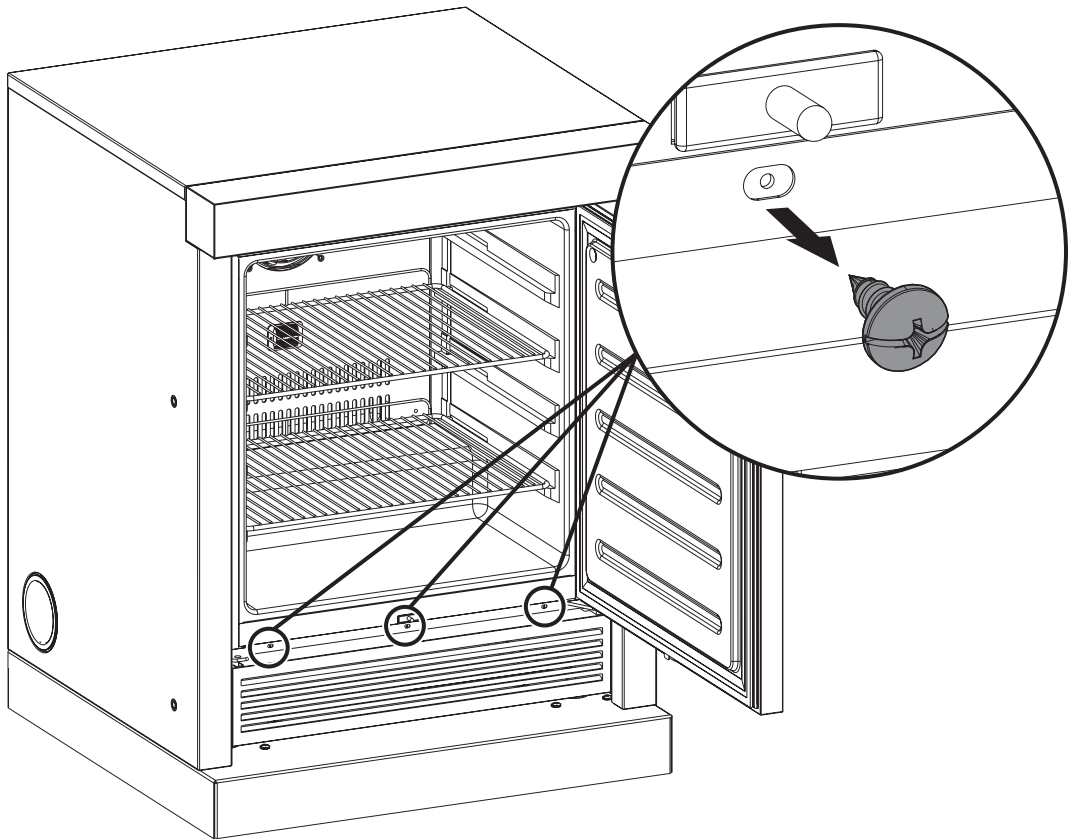


GRANITE REPLACEMENT

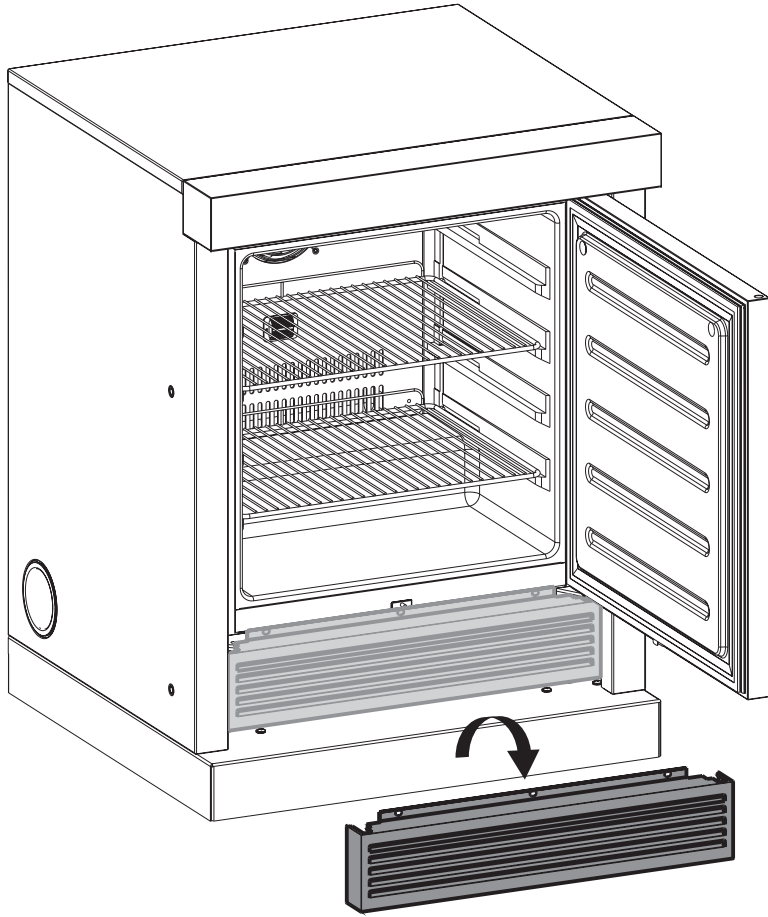
1



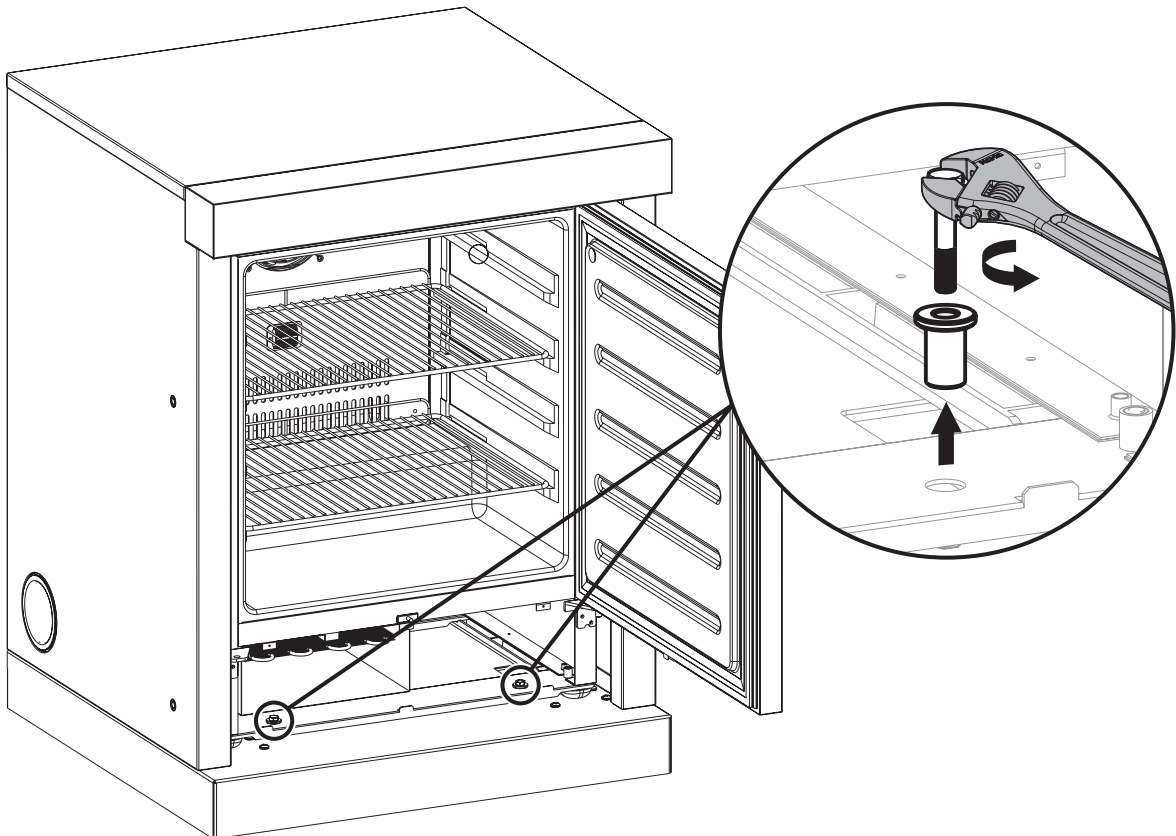
2



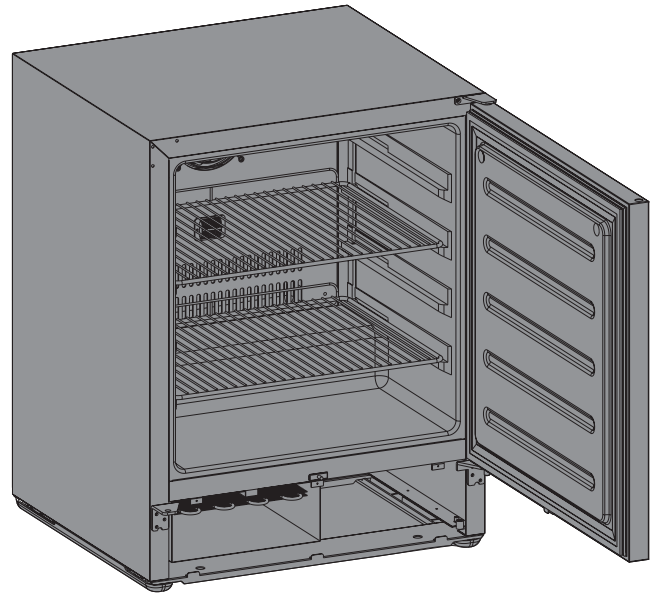
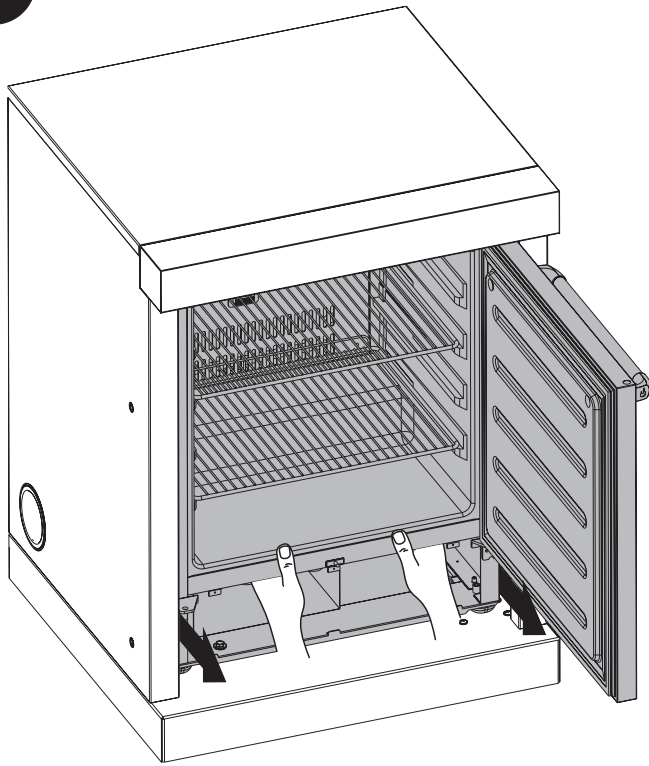
3



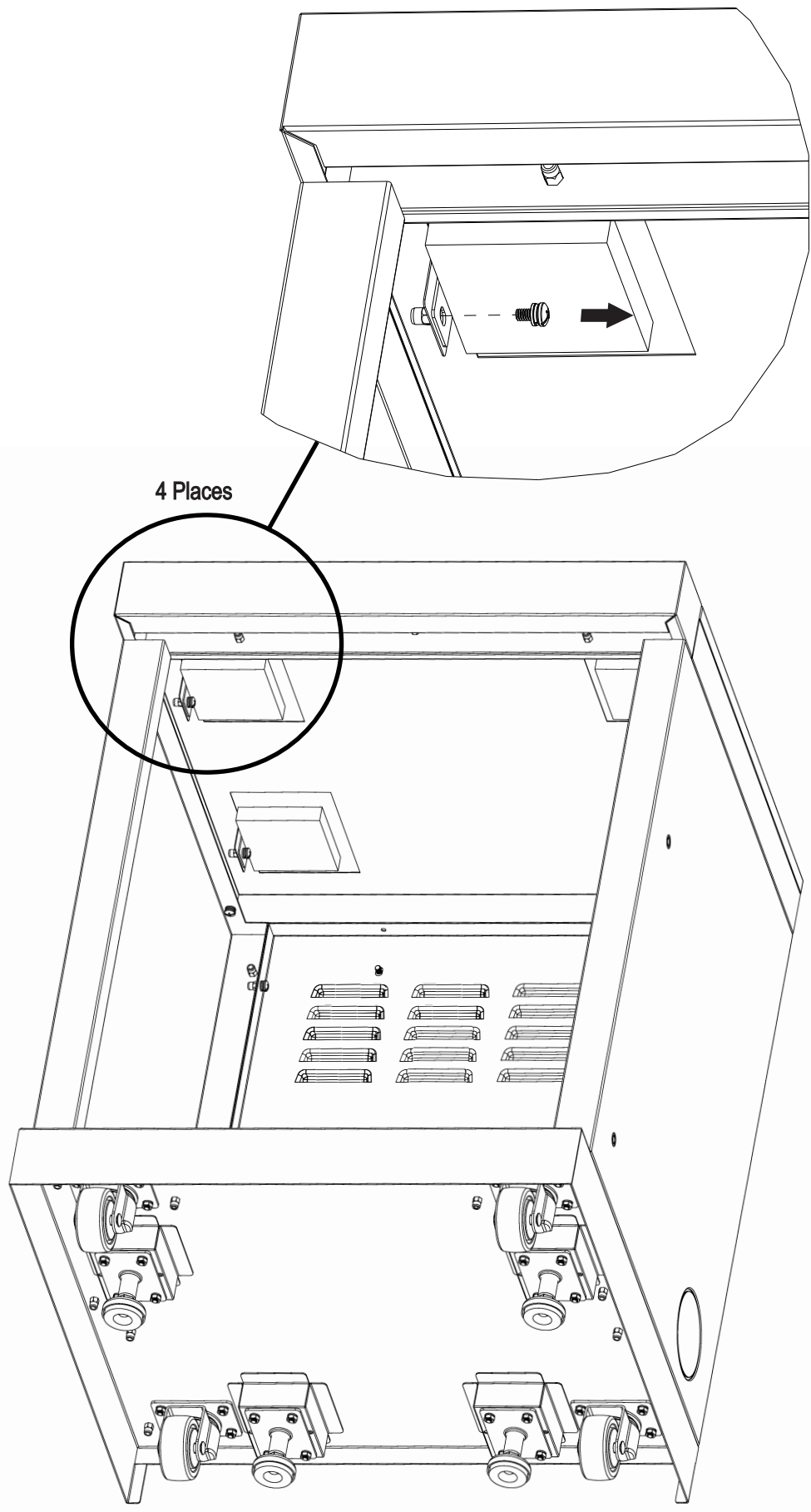
4



5

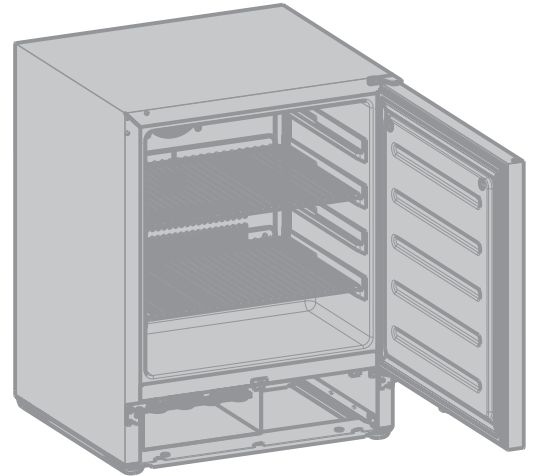
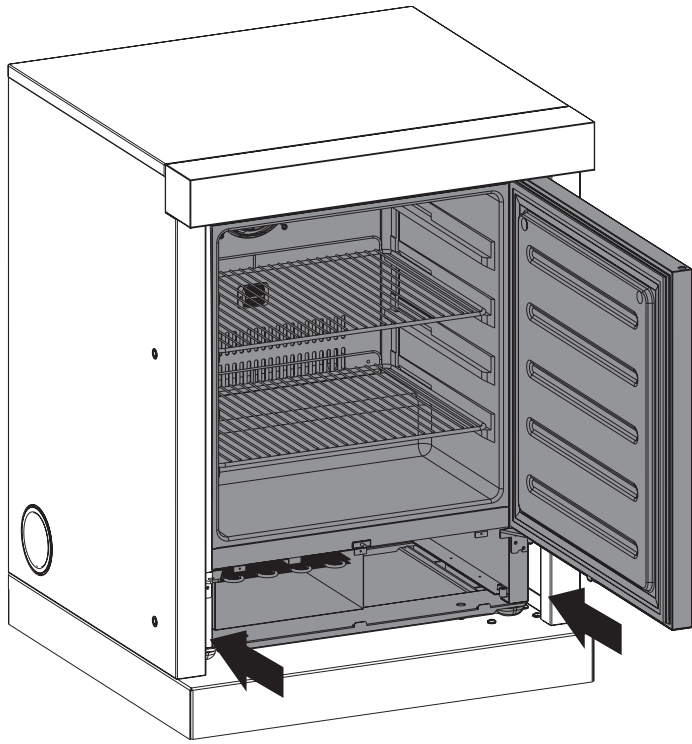


6

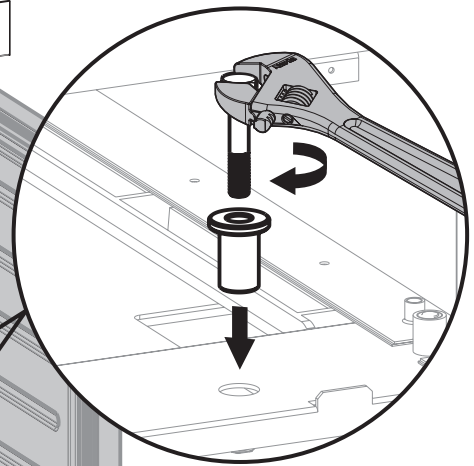
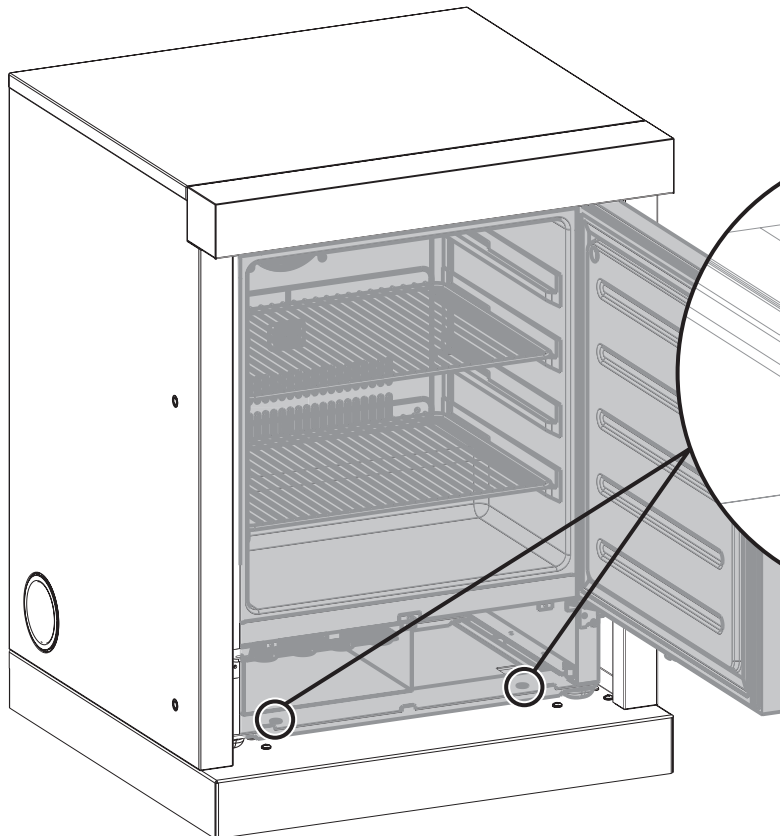


After removal of 4 screws, remove old granite and carefully set new granite in place.
Reinstall screws.

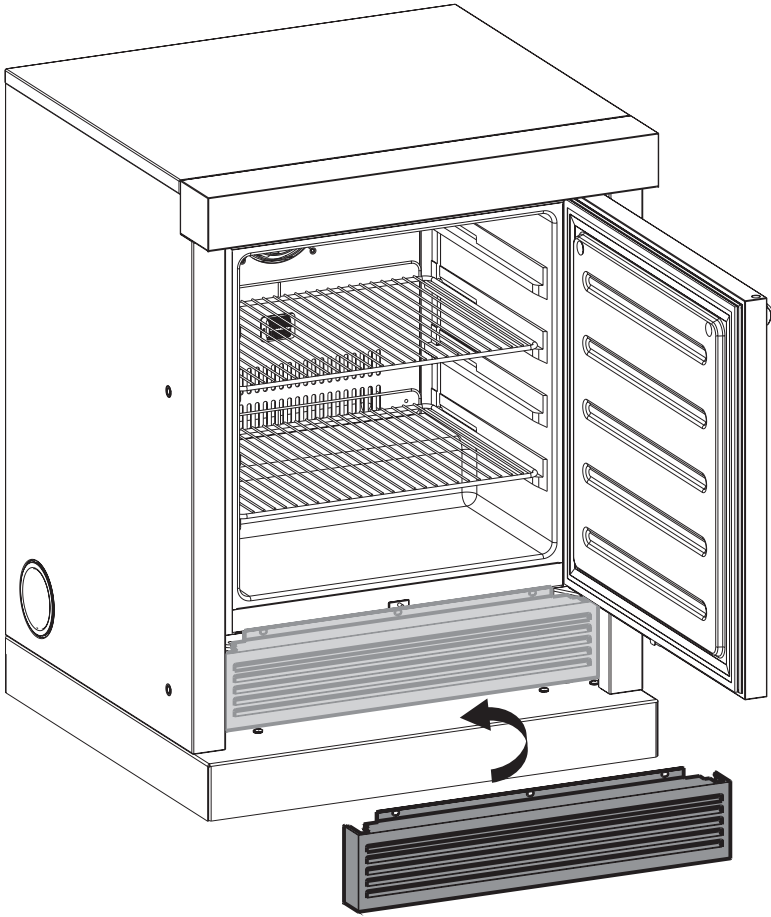
7



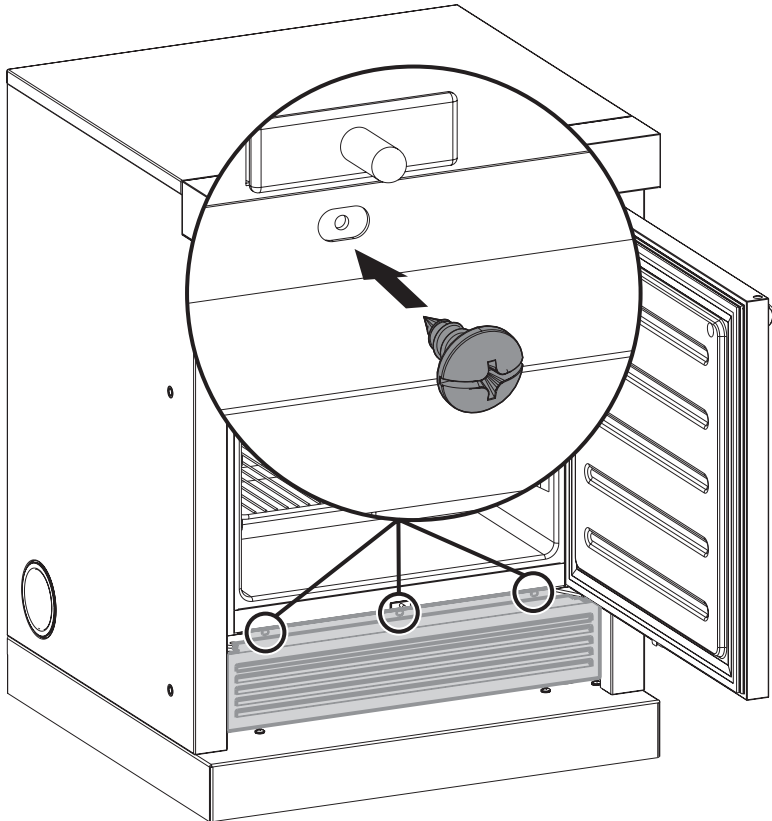
8



9



10



WARNING
Keep connections dry and off ground.

ADVERTENCIA
Mantenga las conexiones secas y fuera del suelo.

