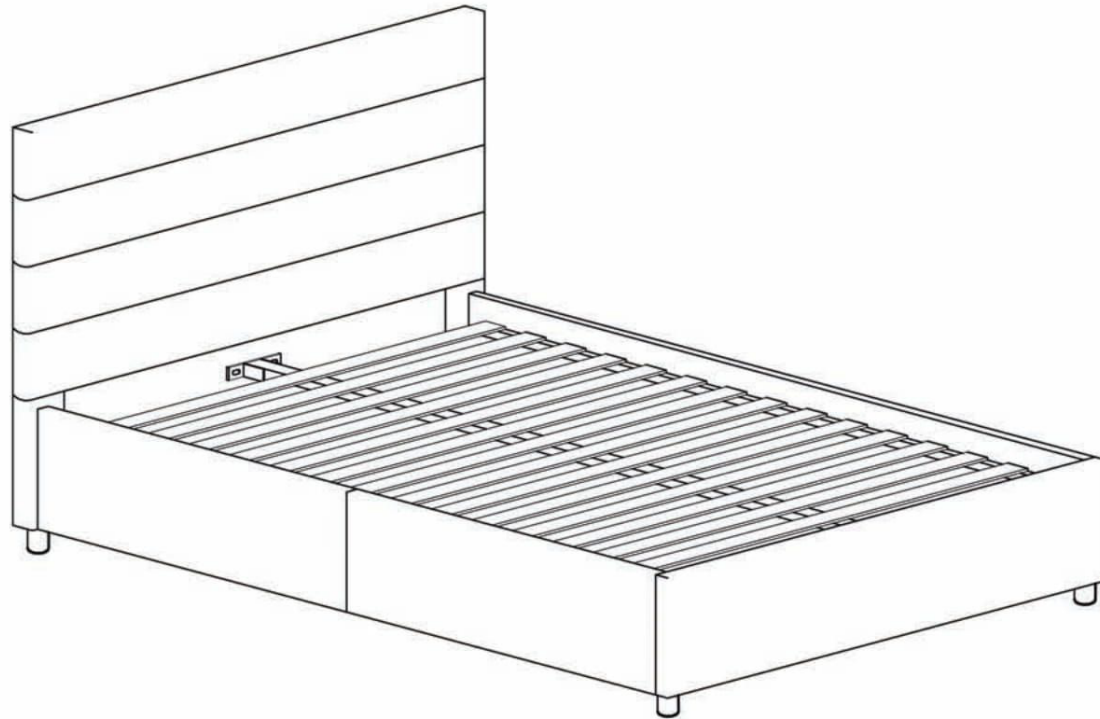






ASSEMBLY INSTRUCTIONS.

KING BED LIGHT GREY



THANK YOU FOR YOUR PURCHASE!

PARTS AND HARDWARE.

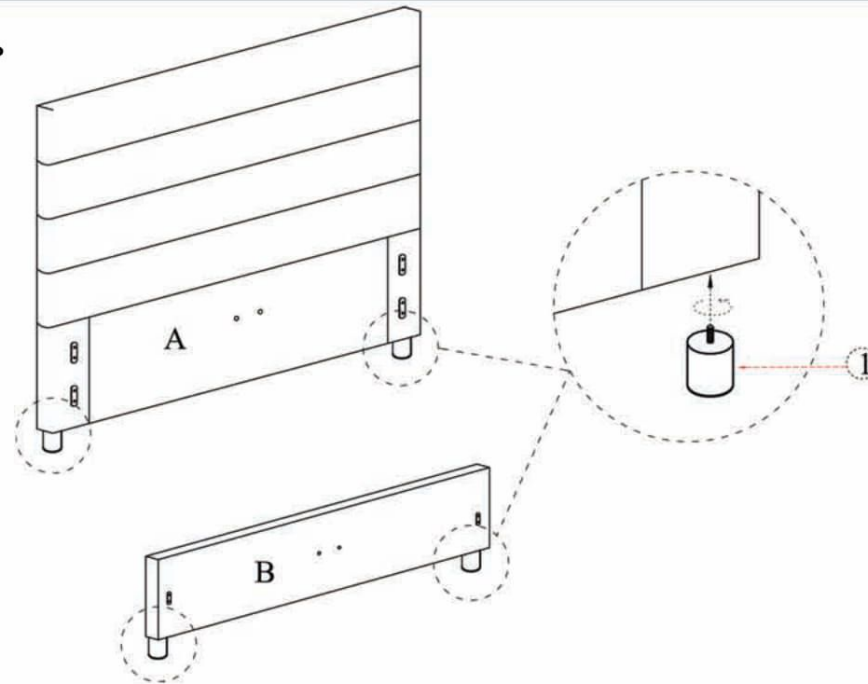
	
Ⓐ Headboard=1pc	Ⓑ Footboard=1pc
	
① Feet=4pcs	② Bolts (M8*18)=12pcs

NOTES.

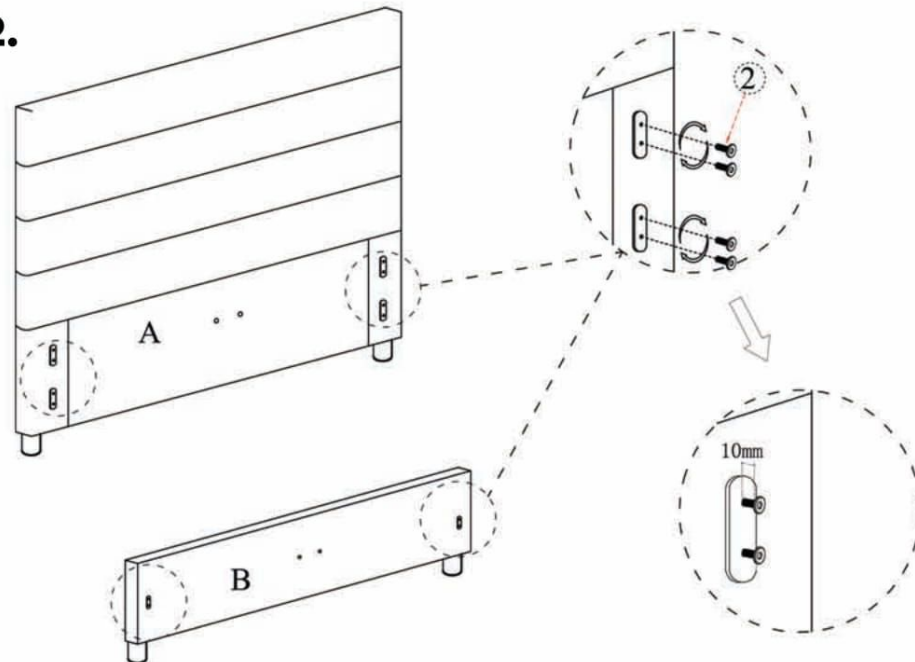
Thank you for purchasing this quality product!
Be sure to check all packing material careful
for small part that may have come loose
inside the carton during shipping.

CAUTION:The item is heavy, assembly
should be performed by two people.

STEP 1.



STEP 2.



PARTS AND HARDWARE.



Ⓒ Side Rails=1pc



Ⓓ Side Rails=1pc



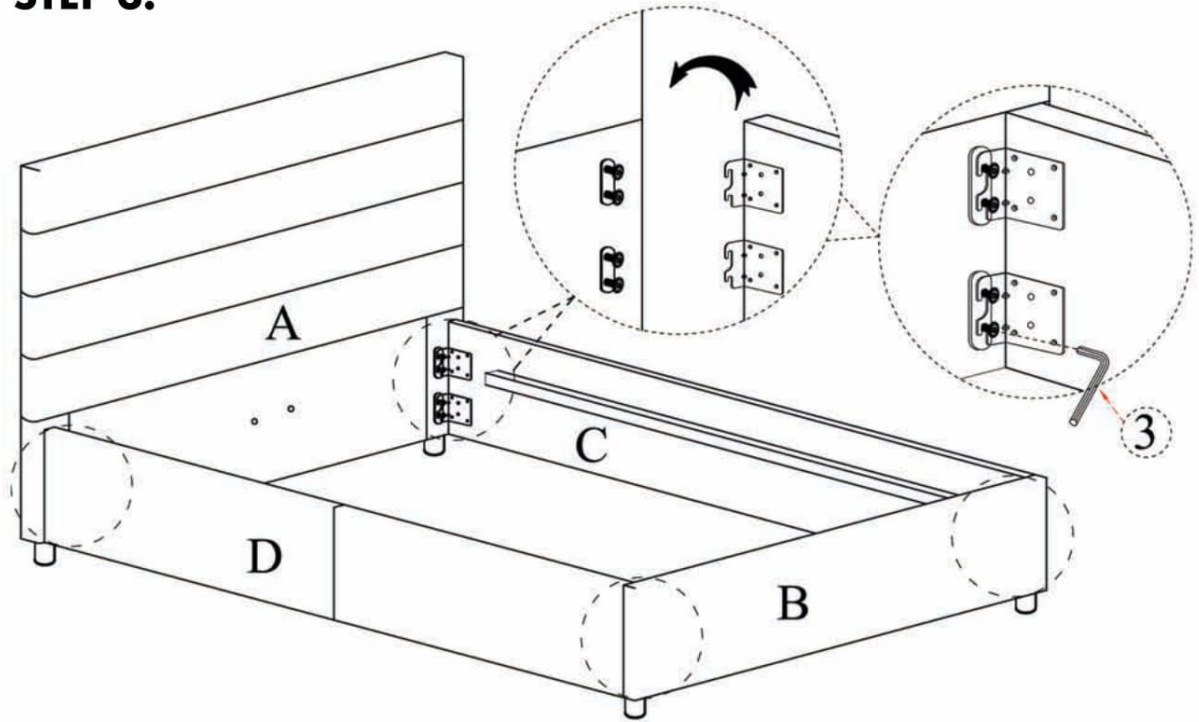
③ Allen Key=1pc

NOTES.




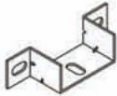


Thank you for purchasing this quality product!
Be sure to check all packing material careful
for small part that may have come loose
inside the carton during shipping.

CAUTION:The item is heavy, assembly
should be performed by two people.

STEP 3.



PARTS AND HARDWARE.

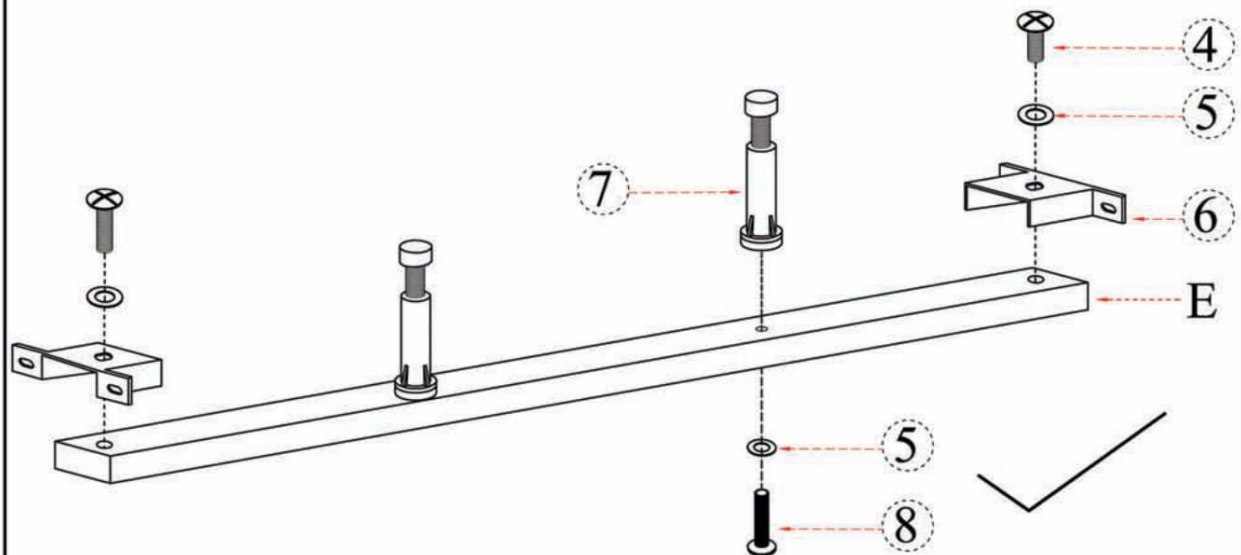
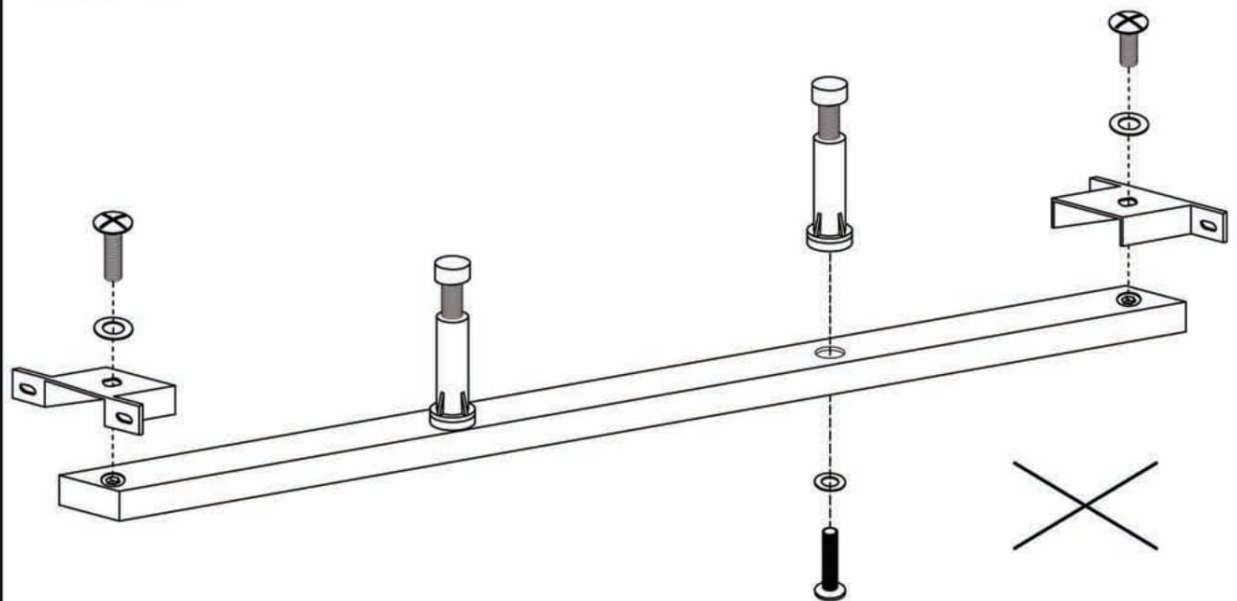
	
③ Centre Rail=1pc	④ Bolts (M8*20)=2pcs
	
⑤ Washers(m8)=4pcs	⑥ Brackets=2pcs
	
⑦ Support legs=2pcs	⑧ Bolts (M8*40)=2pcs

NOTES.





Thank you for purchasing this quality product! Be sure to check all packing material careful for small part that may have come loose inside the carton during shipping.

CAUTION:The item is heavy, assembly should be performed by two people.

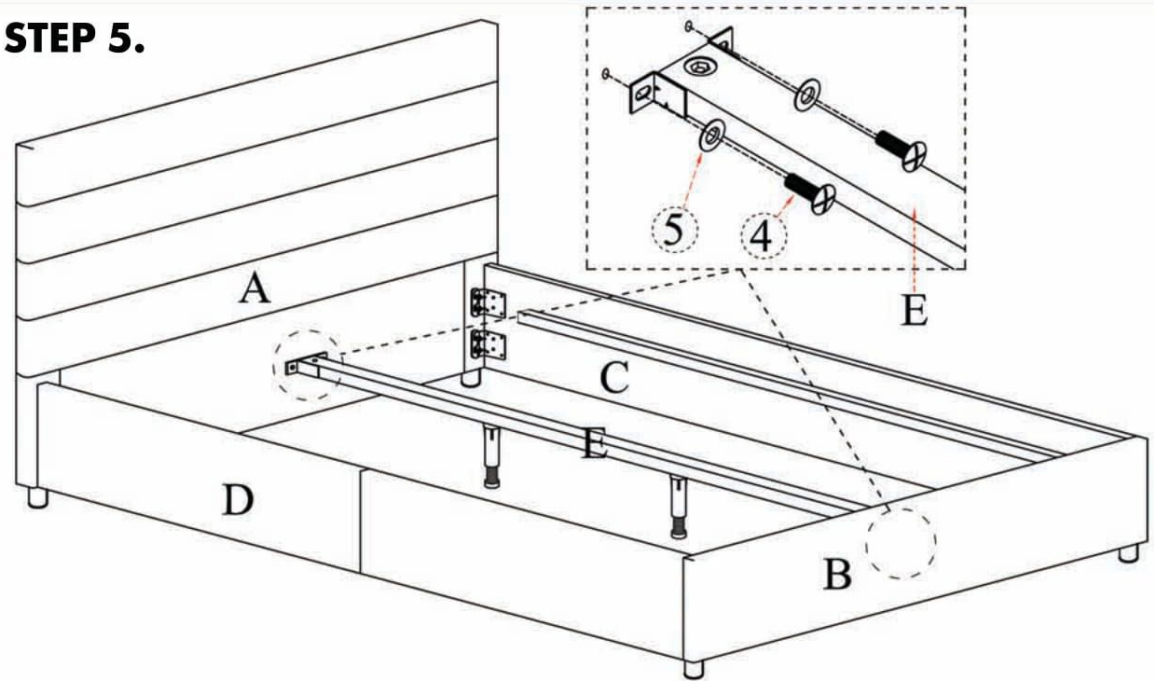
STEP 4.



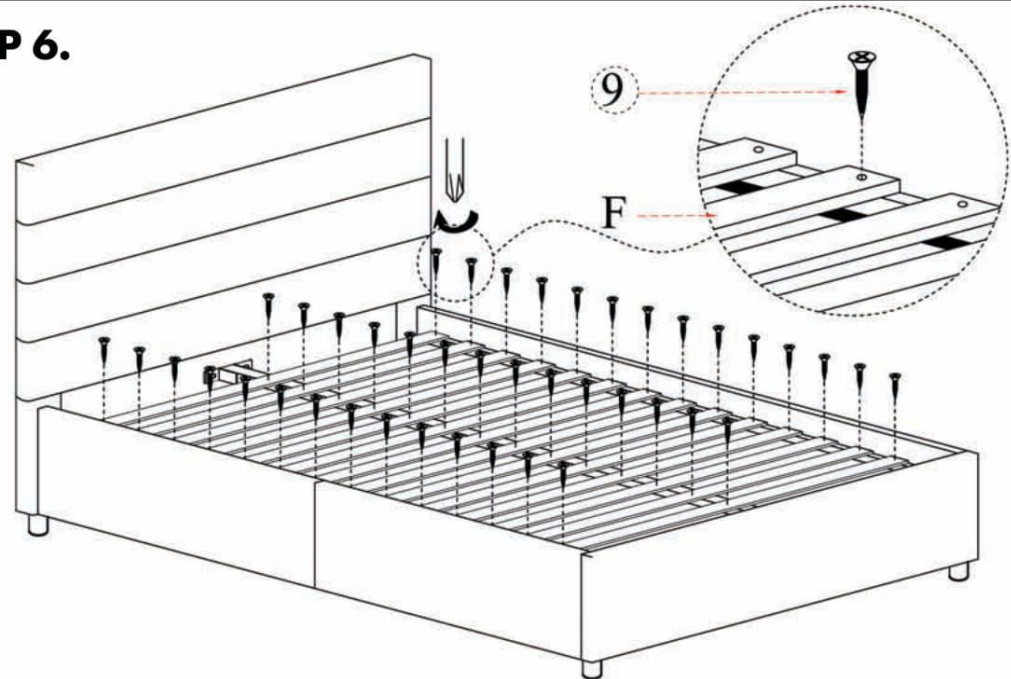
PARTS AND HARDWARE.

	
ⓕ Slats=1pc	④ Bolts (M8*20)=4pcs
	
⑤ Washers(m8)=4pcs	⑨ Screws (m8*32)=42pcs

STEP 5.



STEP 6.



NOTES.

Thank you for purchasing this quality product!
Be sure to check all packing material careful
for small part that may have come loose
inside the carton during shipping.

CAUTION:The item is heavy, assembly
should be performed by two people.