

FOYER TABLE

ASSEMBLY INSTRUCTIONS



WARNING

1. Do not use this product unless all screws and bolts are securely tightened.
2. Check that all screws and bolts are tight every three months or as needed.
3. Dispose of packing material properly. Do not use plastic cover as head covering. It may cause suffocation.
4. Do not use this product as a stepladder.
5. Use this product for its intended purpose only.
6. **Intended for residential use only.**

LIMITED WARRANTY

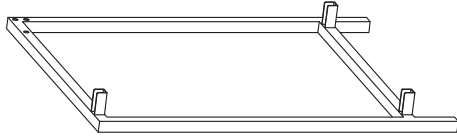
Our warrants, to the original purchaser its products to be free from defects in material and workmanship for a period of 90 days. Defects and damage from misuse, abuse, negligence, alteration, accident, vandalism, rusting, acts of nature or any other event beyond the control of us is not covered. The warranty does not cover cosmetic damage that may result from normal use. Liability for incidental or consequential damages is excluded. The user assumes all risk of injury resulting from use of this product. This warranty gives you specific legal rights, and you may also have other rights which vary from state to state.

To make a warranty claim, contact Parts Department. Provide model number, proof of purchase, description of the problem and obtain return authorization. At it's option we will:

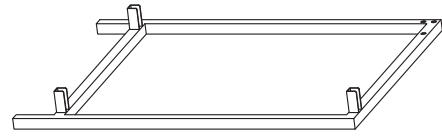
- (a) Supply compatible components of current manufacture.
- (b) Repair the customer's component. The customer must prepay freight on any components returned to the factory. Return freight on components still in warranty will be paid by us.

Our quality standards are among the highest in the industry. Sometimes, no matter how hard we try, there are times when parts are damaged or missing. Our Parts Department will do everything possible to promptly remedy the problem.

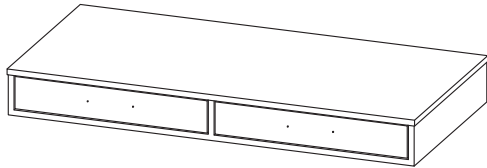
PARTS LIST



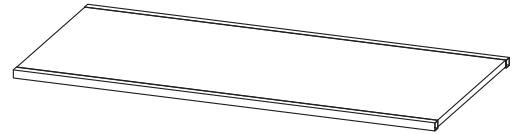
(A) Left Frame (1 PC)



(B) Right Frame (1 PC)

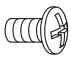
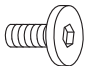
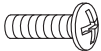

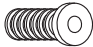
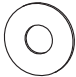


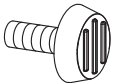
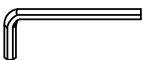


(C) Top (1 PC)



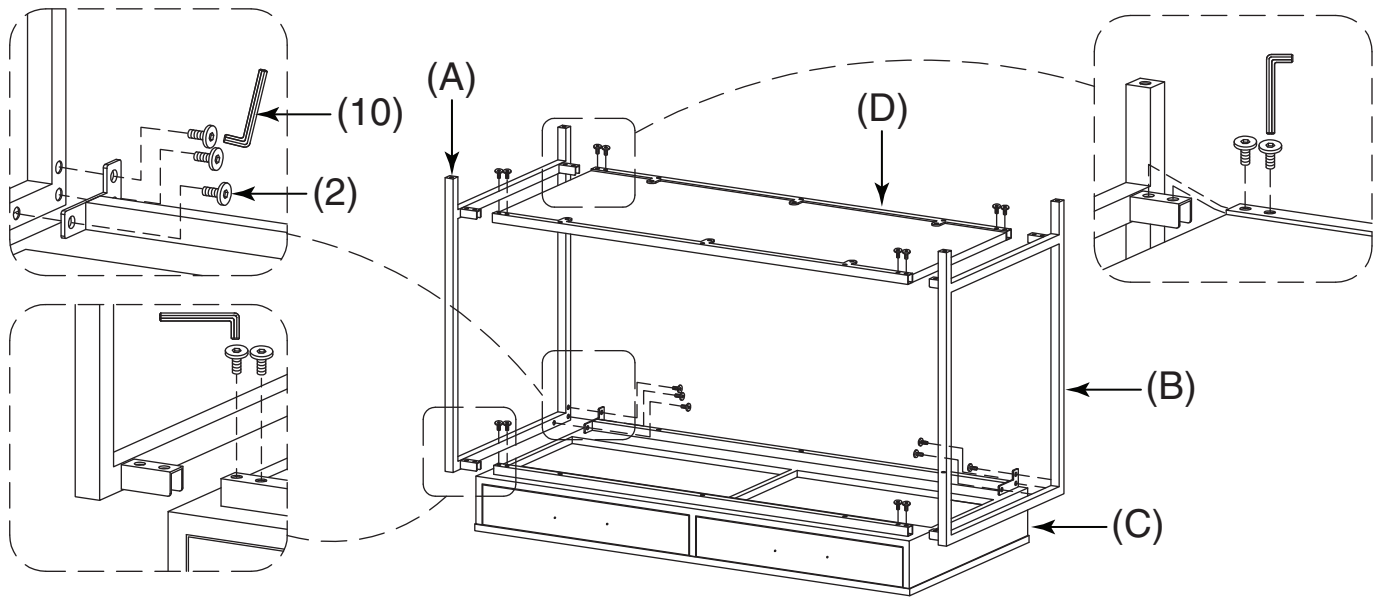
(D) Shelf (1 PC)

HARDWARE LIST

NO	DRAWING	DESCRIPTION	QUANTITY
1		Small Screw	1 PC
2		Bolt	18 PCS
3		Medium Screw	4 PCS
4		Long Screw	1 PC
5		Wall Anchor	1 PC
6		Flat Washer	4 PCS
7		Handle	2 PCS
8		Strap	1 PC
9		Leveler	4 PCS
10		Allen Wrench	1 PC

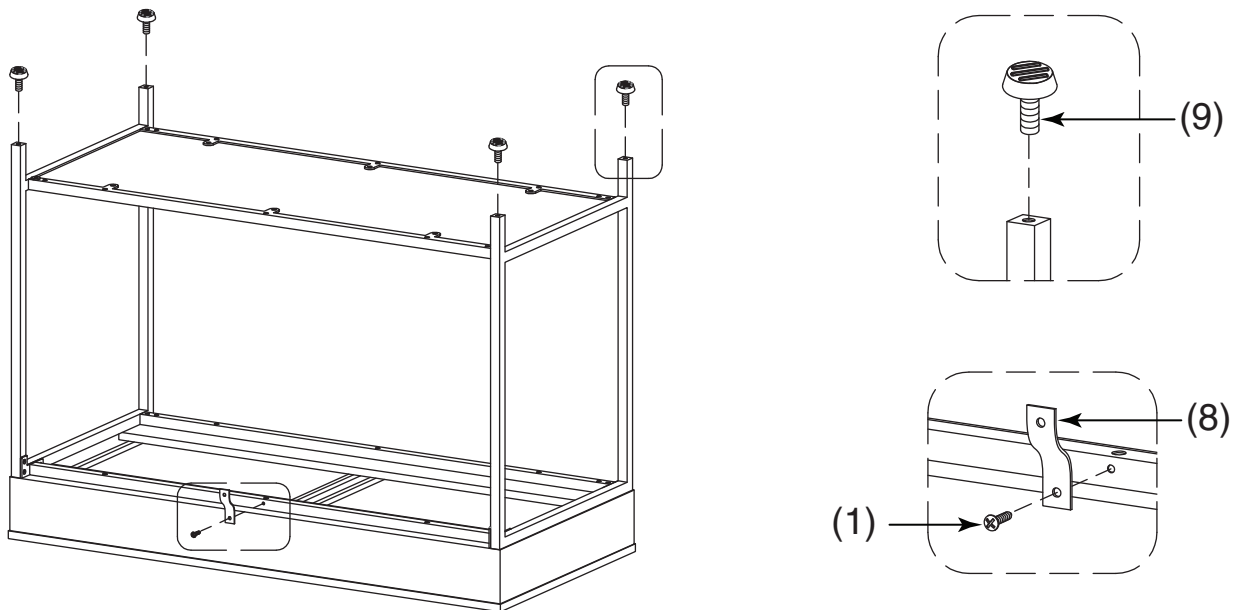
Phillips Screwdriver also needed for assembly (not provided).

STEP 1



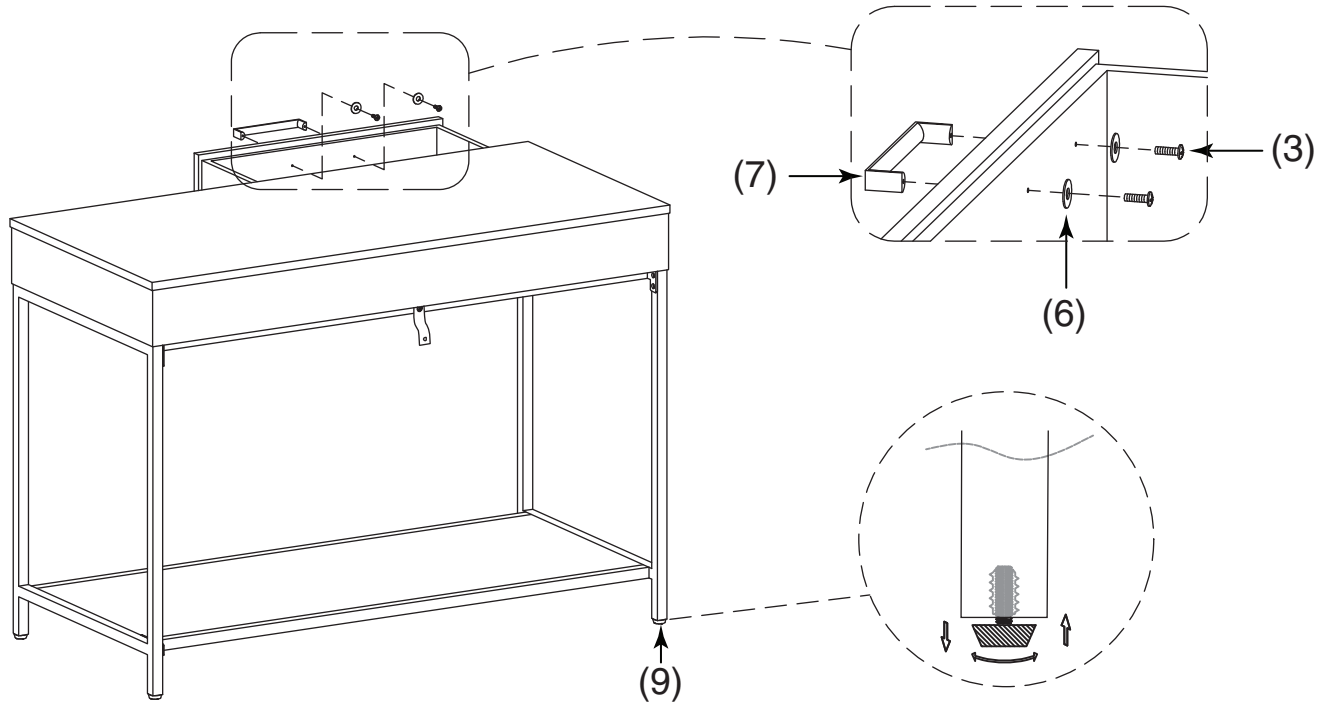
DO NOT FULLY TIGHTEN BOLTS.

STEP 2



DO NOT FULLY TIGHTEN SCREWS.

STEP 3



APPLY FIRM PRESSURE TO ALIGN & FULLY TIGHTEN ALL SCREWS & BOLTS.
IF NEEDED, ADJUST LEVELERS (9) TO LEVEL TABLE.

ANTI-TIP KIT INSTALLATION

STEPS:

Place table in desired location. Carefully drill a $\frac{1}{4}$ " pilot hole into wall, gently tap Wall Anchor (5) into pilot hole. Secure Strap (8) to wall using one Long Screw (4), **FULLY TIGHTEN LONG SCREW (4) USING PHILLIPS SCREWDRIVER (not provided).**

