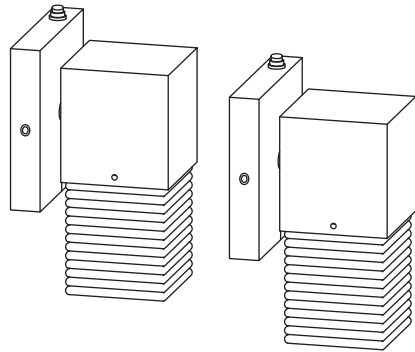
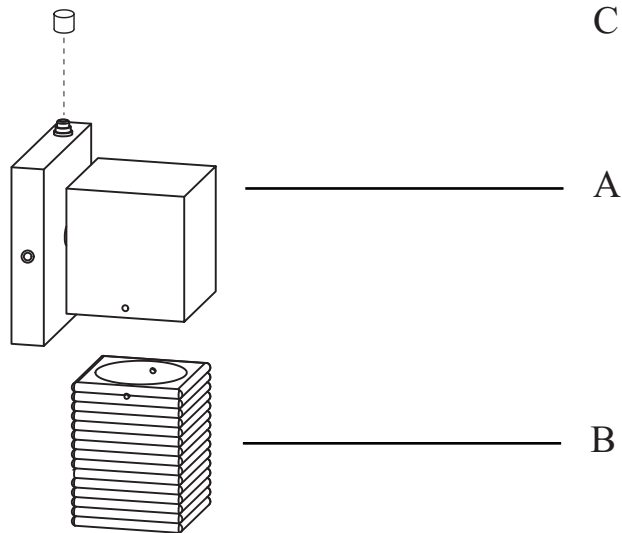


# Instruction Manual

## Outdoor Wall Sconce



### PACKAGE CONTENTS



PART	DESCRIPTION	QUANTITY
A	Fixture	2
B	Glass	2
C	Light control caps	2

### HARDWARE CONTENTS(shown actual size)

AA



Short  
mounting x 4  
screw

BB



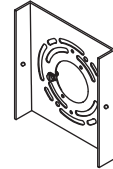
Wire nut x 6

CC



Long  
mounting x 4  
screw

DD



Mounting plate  
(Not actual size) x 2

EE



Allen key x 1  
(Installation tools)

FF



Headless x 4  
screws

### ⚠ WARNING

- TURN OFF ELECTRICITY at main fuse box (or circuit breaker box) before beginning installation by removing fuse (or switching off circuit breaker).
- MINIMUM 90°C SUPPLY CONDUCTORS.

### PREPARATION

Before beginning assembly of product, make sure all parts are present. Compare parts with package contents list and hardware contents list. If any part is missing or damaged, do not attempt to assemble the product.

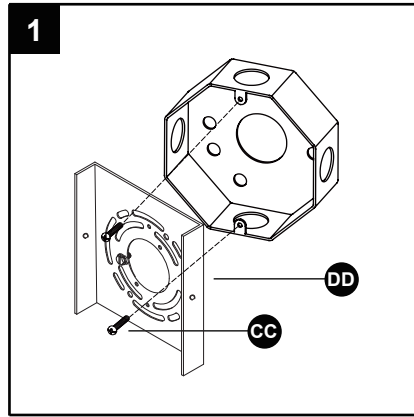
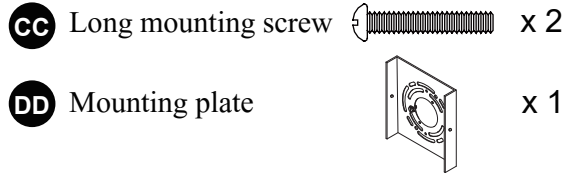
CAUTION: To avoid any waterproofing problems, please make sure the light fixture fits the mounting surface perfectly installation and use waterproof glue around the canopy for better sealing after installation.

Customer Service: [service@24h-reply.com](mailto:service@24h-reply.com)

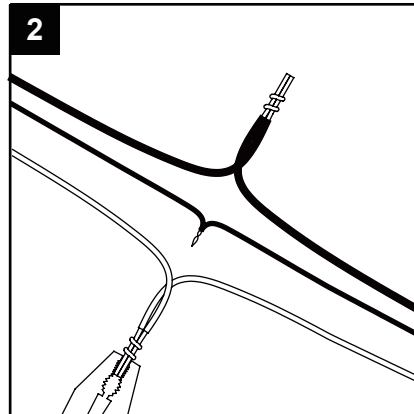
## ASSEMBLY INSTRUCTIONS

1. Attach the mounting plate (DD) to the outlet box (not included) with the long mounting screws (CC).

### Hardware Used

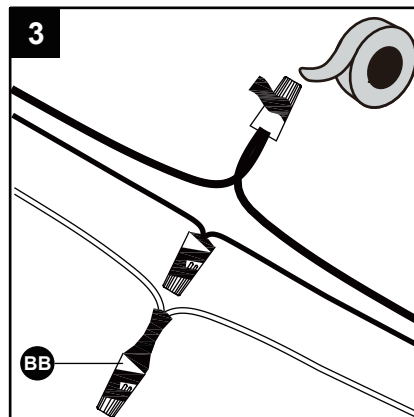


2. Strip 3/4 in. of insulation from wire ends. Twist stripped ends together with pliers (not included), black to black (power) and white to white (neutral). Attach copper wire to ground wire. Helpful hint: If necessary, attach copper ground wire to grounded outlet box.



3. Attach wire nuts (BB). Tape wire nuts (BB) and wires together.

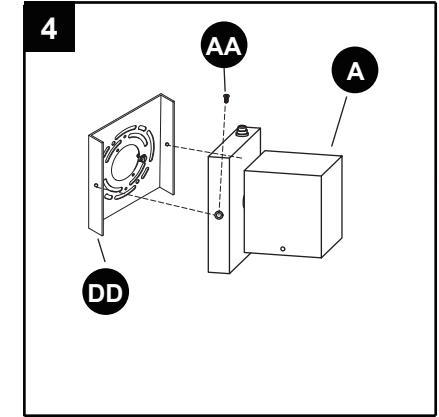
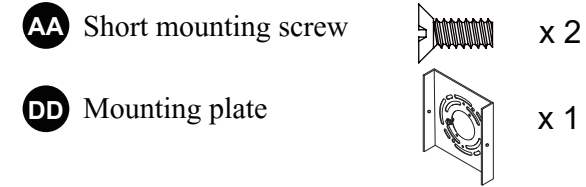
### Hardware Used



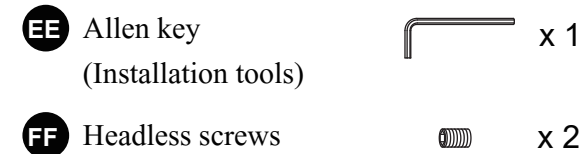
## ASSEMBLY INSTRUCTIONS

4. Place fixture (A) onto the mounting plate (DD). Secure with short mounting screws (AA).

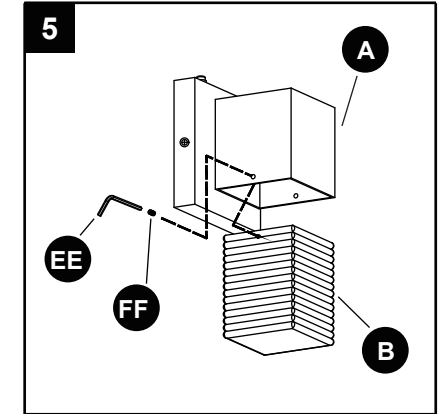
### Hardware Used



5. Install the glass and tighten the screws on both sides, installation completed (this lamp is a built-in LED, no need to install a separate bulb).



Attention: The headless screws on both sides should not be fully tightened. They need only to be approximately flush with the surface.



### This light has a light sensing function

1. This is a lamp equipped with a smart dusk-to-dawn sensor. As night falls, it can seamlessly switch from the off state to the on state and automatically adjust according to the ambient light intensity. It remains on when the light intensity is below 20 lux. In the morning, it will automatically turn off when the light intensity exceeds 90 lux.
2. If you find that the lamp remains off during installation, it is likely due to the dusk-to-dawn sensor being naturally inactive during the daytime. To verify the functionality of the lamp, simply cover the sensor with your hand or a cloth after turning on the power switch. If the lamp lights up, this confirms that the lamp is working as expected, and the issue is related to the sensor's automatic day-night cycle. When the light-sensing function is not needed, simply cover the sensor with the rubber cap (C).