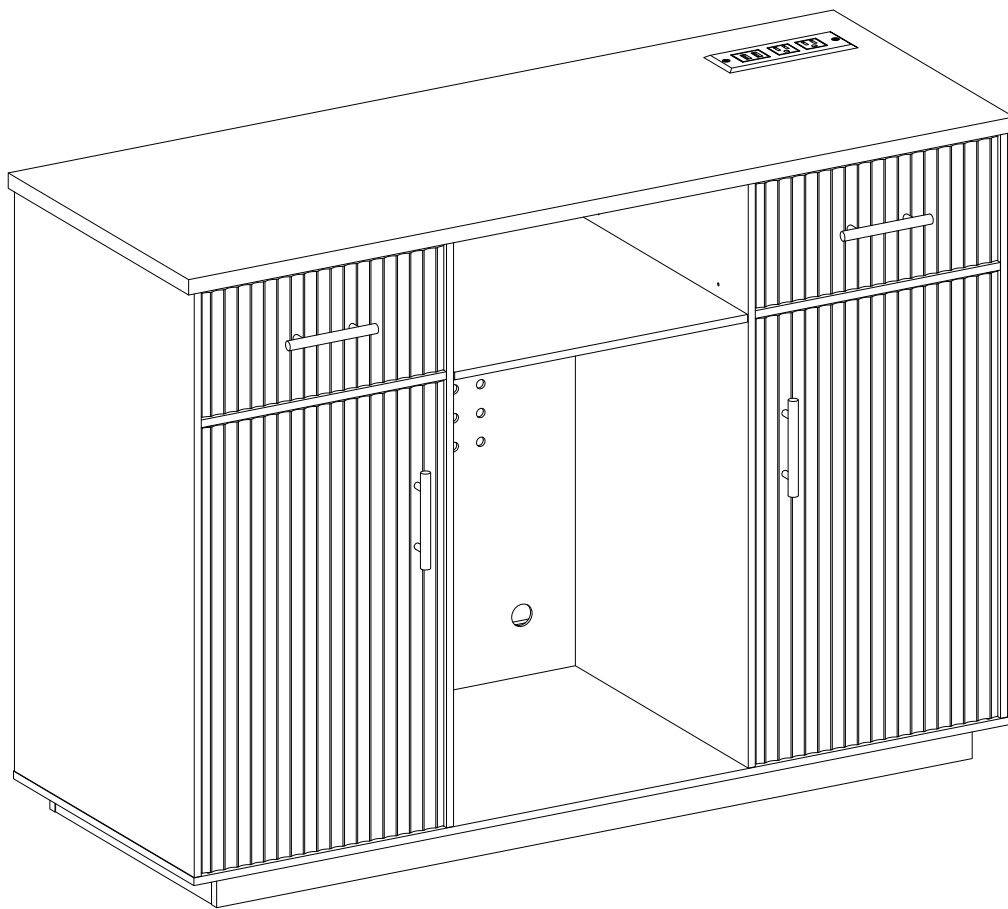


HSB-01 Sideboard with Fridge Space

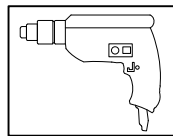
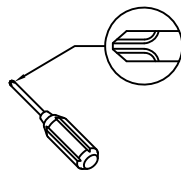
The assembly instructions

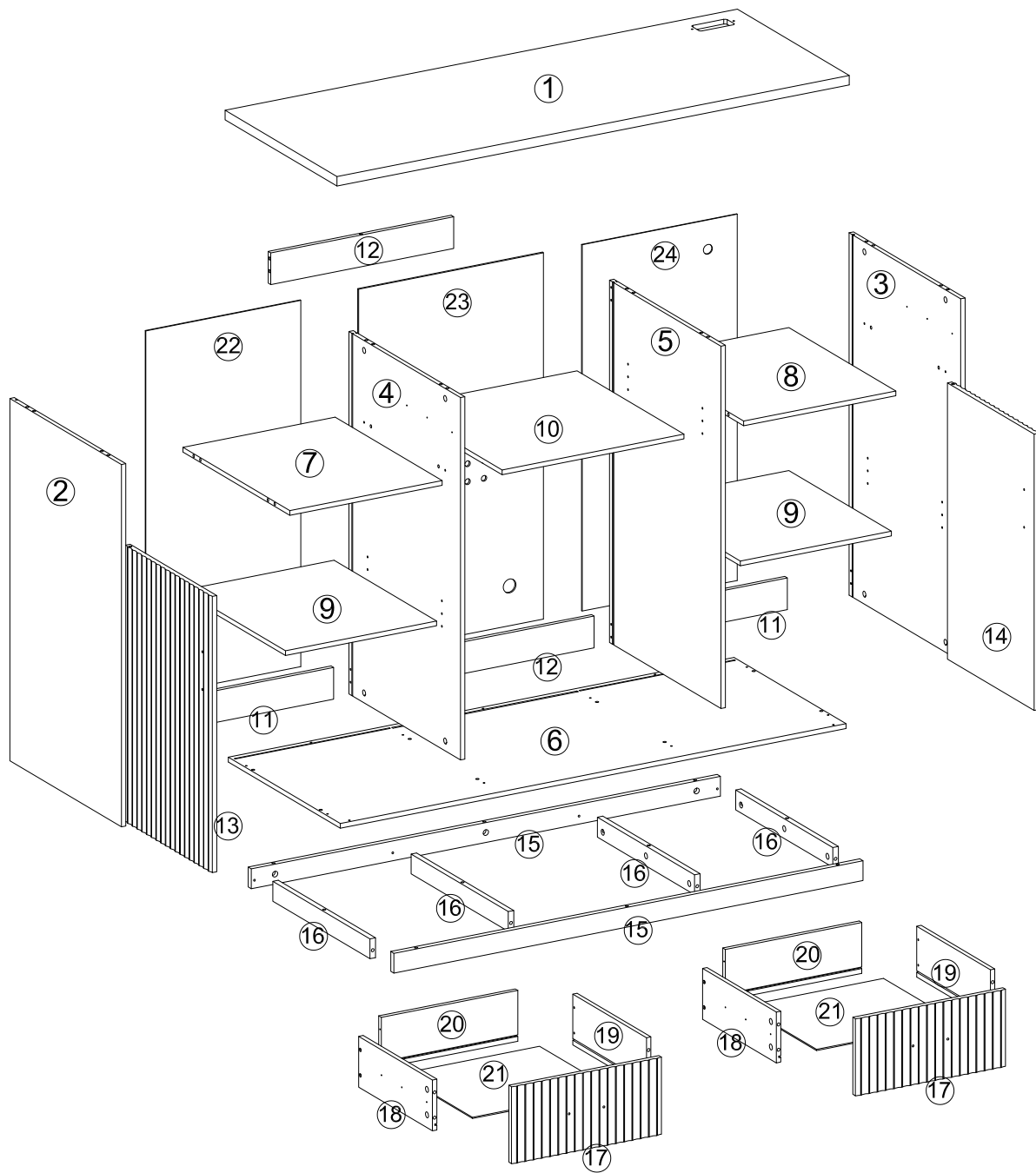


Thank you for purchasing our products, please read the instructions carefully before you assemble the product please do not hesitate to contact us if there is assembly problem, there will be someone to guide assembly.

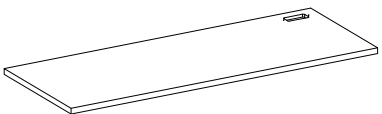
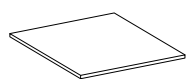
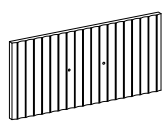
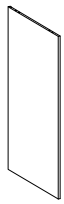
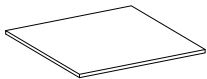
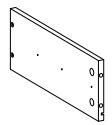


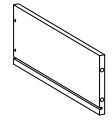

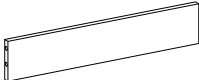



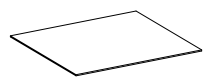
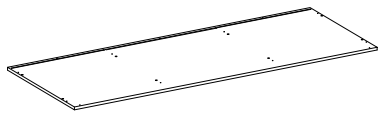
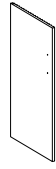
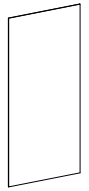
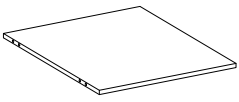

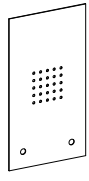
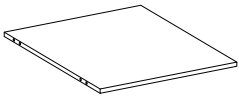
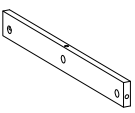
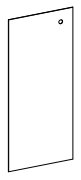
General Assembly Guidelines

- ① Check Parts First: Ensure all parts and hardware are present before beginning assembly.
- ② Follow Instructions Carefully: Follow each step in sequence for proper assembly.
- ③ Two-Person Recommendation: Two people are recommended for easier assembly.
- ④ Hardware Types: The three main types of hardware used are: wood dowels, screws, and bolts.
- ⑤ Required Tool: A Phillips head screwdriver is required for assembly.

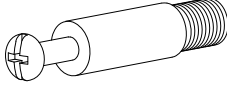
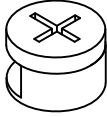
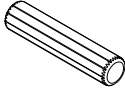
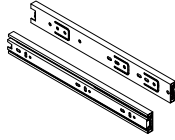
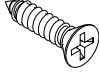
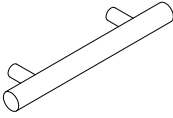
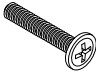
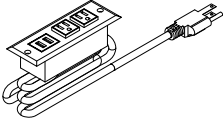
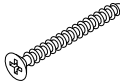
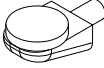
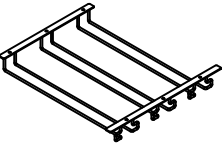

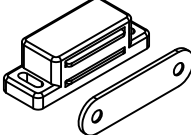
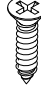
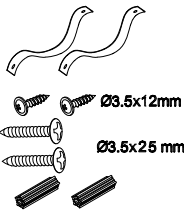
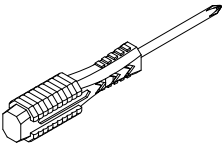






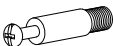

Components

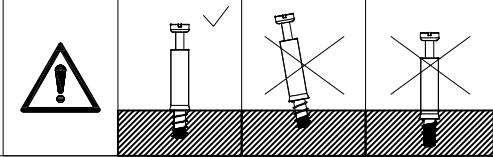
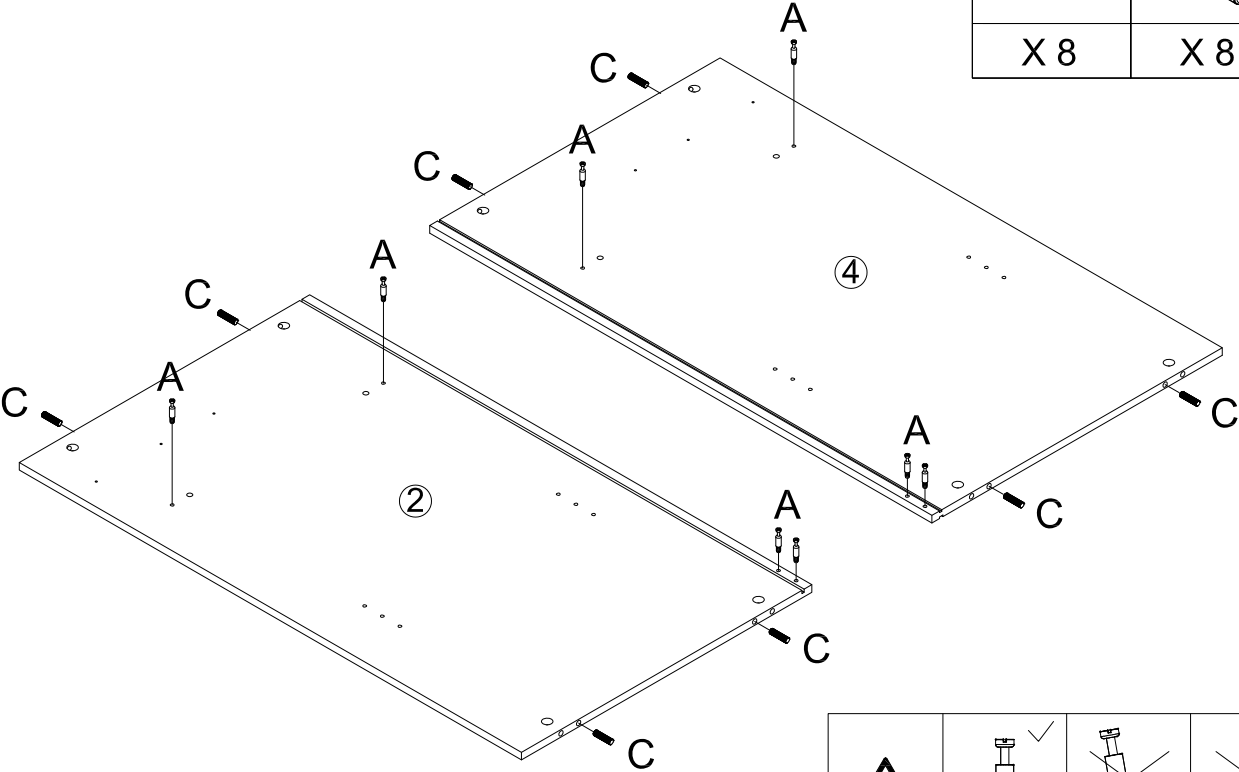
| | | |
|---|---|---|
|  ① x1 |  ⑨ x2 |  ⑰ x2 |
|  ② x1 |  ⑩ x1 |  ⑱ x2 |
|  ③ x1 |  ⑪ x2 |  ⑲ x2 |
|  ④ x1 |  ⑫ x2 |  ⑳ x2 |
|  ⑤ x1 |  ⑬ x1 |  ⑳ x2 |
|  ⑥ x1 |  ⑭ x1 |  ㉒ x1 |
|  ⑦ x1 |  ⑮ x2 |  ㉓ x1 |
|  ⑧ x1 |  ⑯ x4 |  ㉔ x1 |

HARDWARE PACK CONTENT

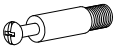

| | | | | |
|--|--|---|--|---|
|  <p>(A) 70x+2</p> |  <p>(B) 70x+2</p> | <p>Ø8x30MM</p>  <p>(C) 24x+1</p> | <p>14"</p>  <p>(D) 2x</p> | <p>Ø3.5*12</p>  <p>(E) 32x+1</p> |
|  <p>(F) 4x</p> |  <p>(G) 8x</p> |  <p>(H) 1x</p> | <p>Ø4*30</p>  <p>(I) 8x</p> |  <p>(J) 12x</p> |
|  <p>(K) 1x</p> |  <p>(L) 4x</p> |  <p>(M) 2x</p> | <p>Ø3.0*12</p>  <p>(N) 8x</p> |  <p>(O) 1x</p> |
|  <p>(P) 1x</p> |   <p>(Q) 14x</p> | | | |

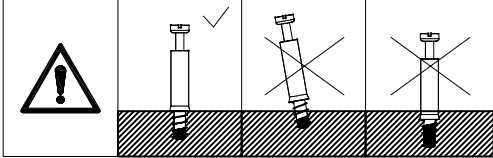
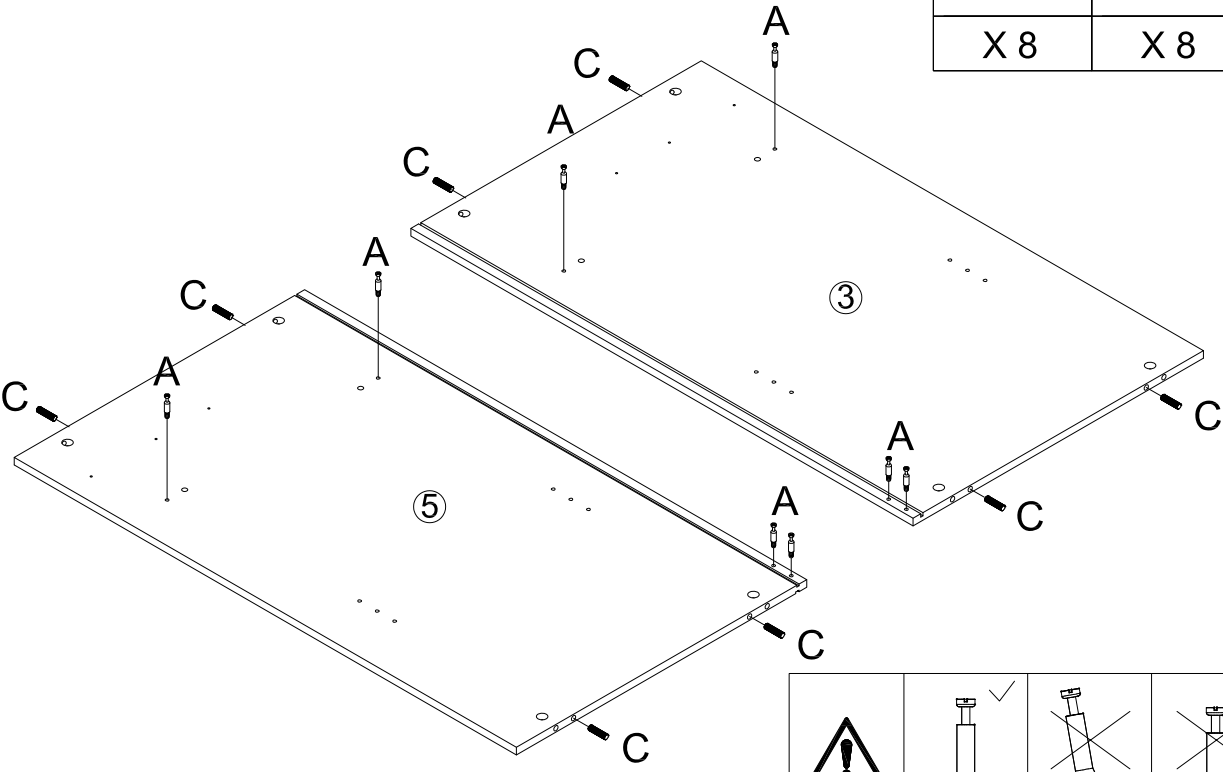
Step 1

| | |
|---|---|
| A | C |
|  |  |
| X 8 | X 8 |

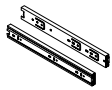



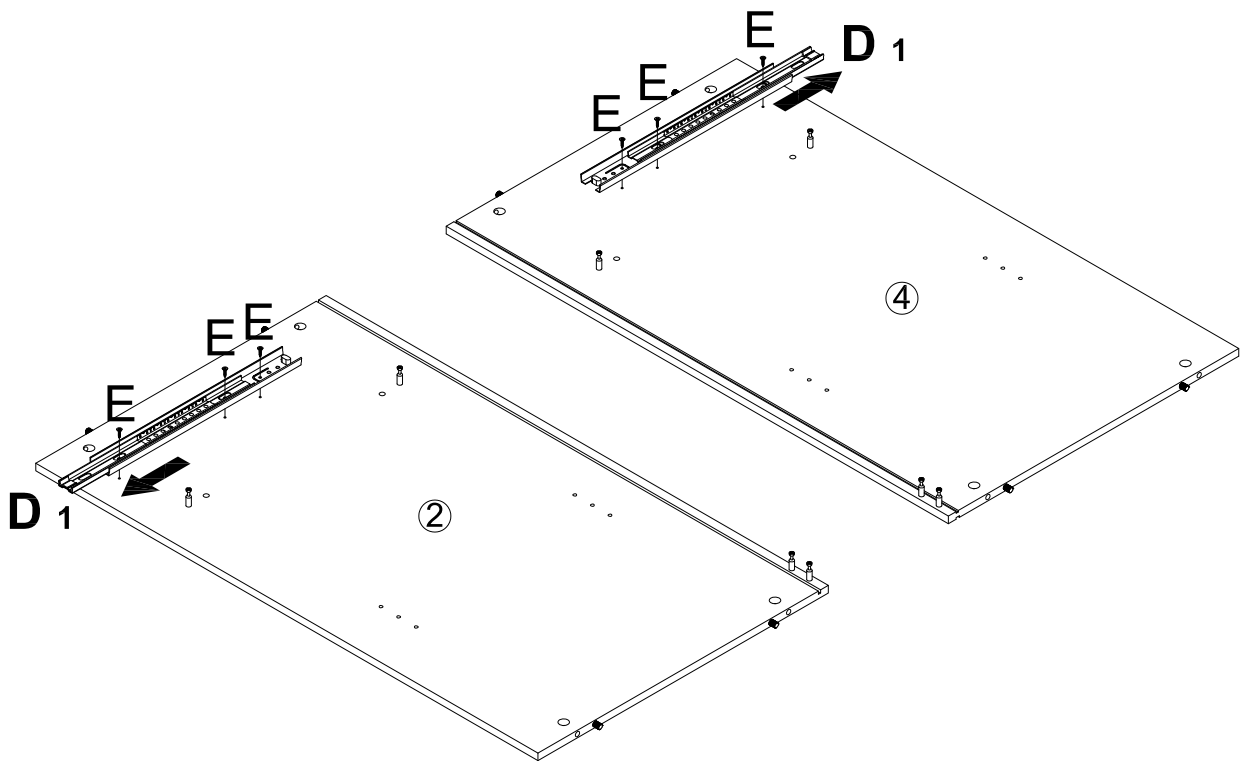
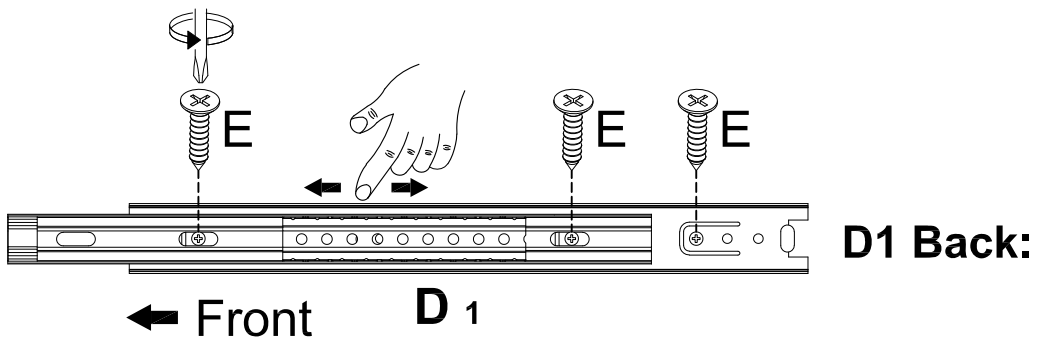
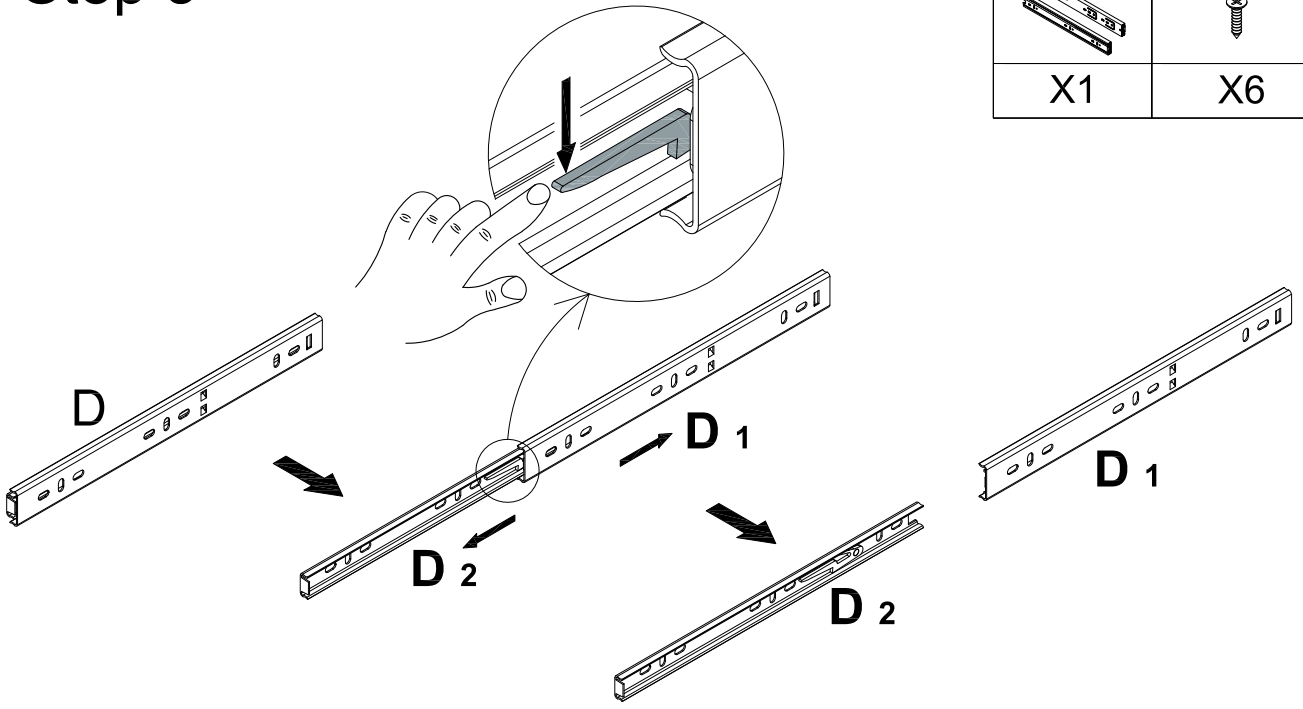
Step 2

| | |
|---|---|
| A | C |
|  |  |
| X 8 | X 8 |

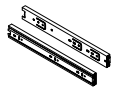



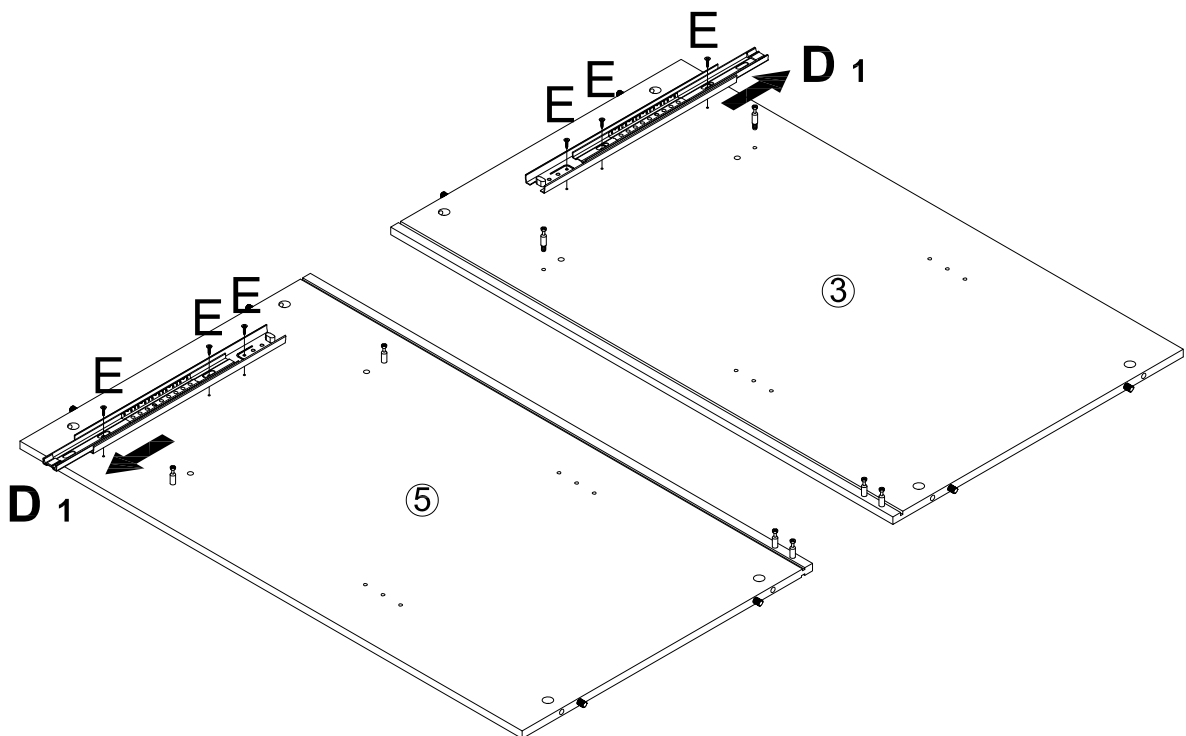
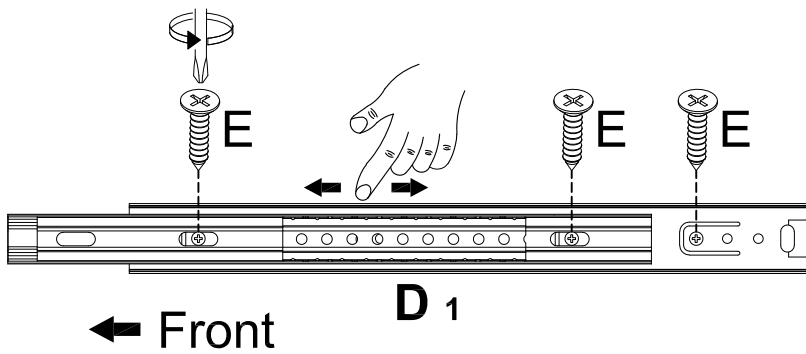
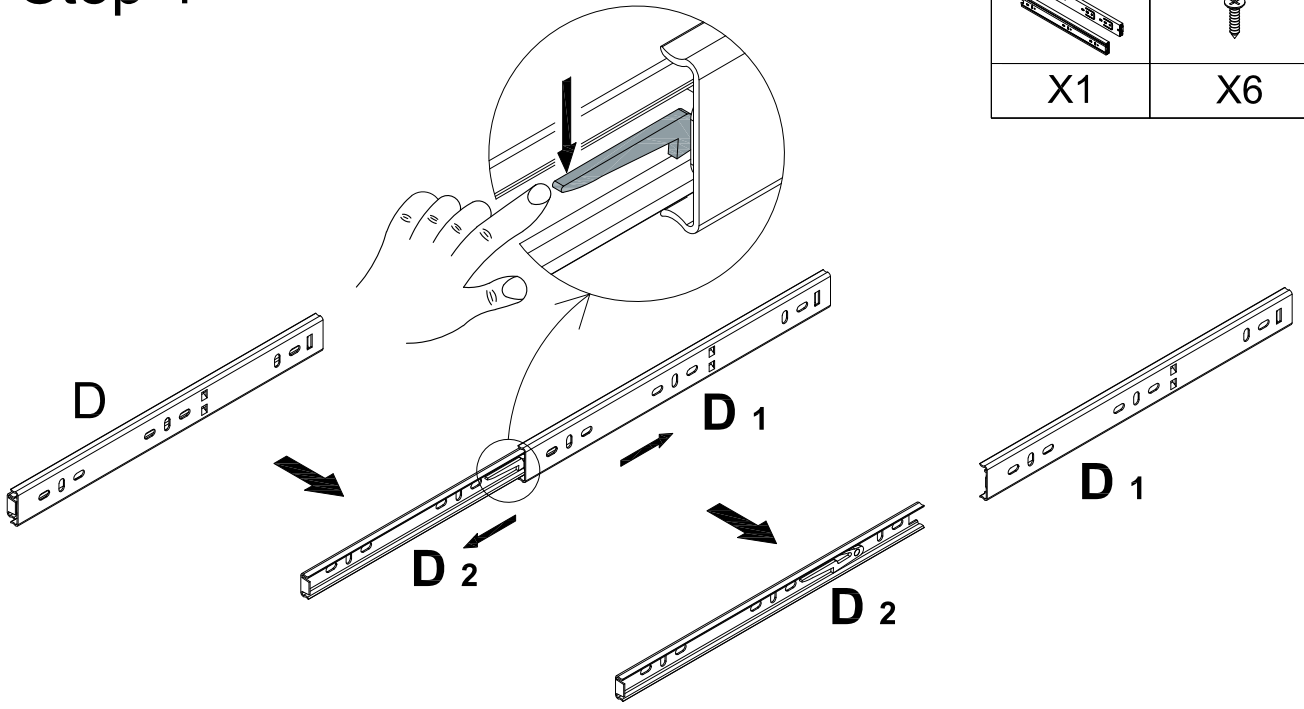
Step 3

| | |
|---|---|
| D | E |
|  |  |
| X1 | X6 |



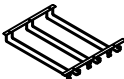




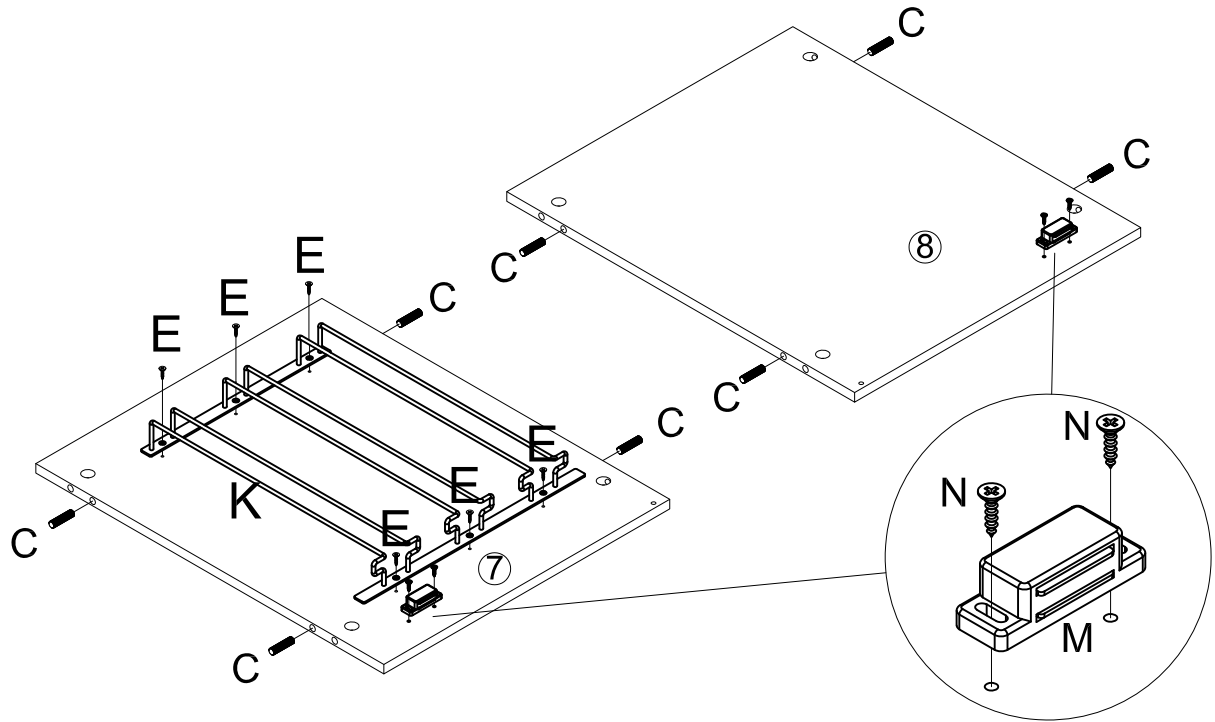
Step 4

| | |
|---|---|
| D | E |
|  |  |
| X1 | X6 |

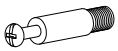


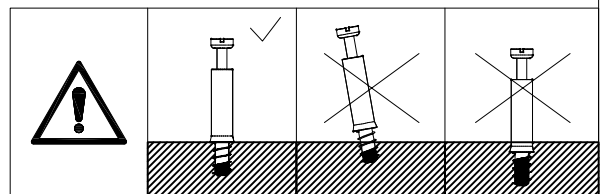
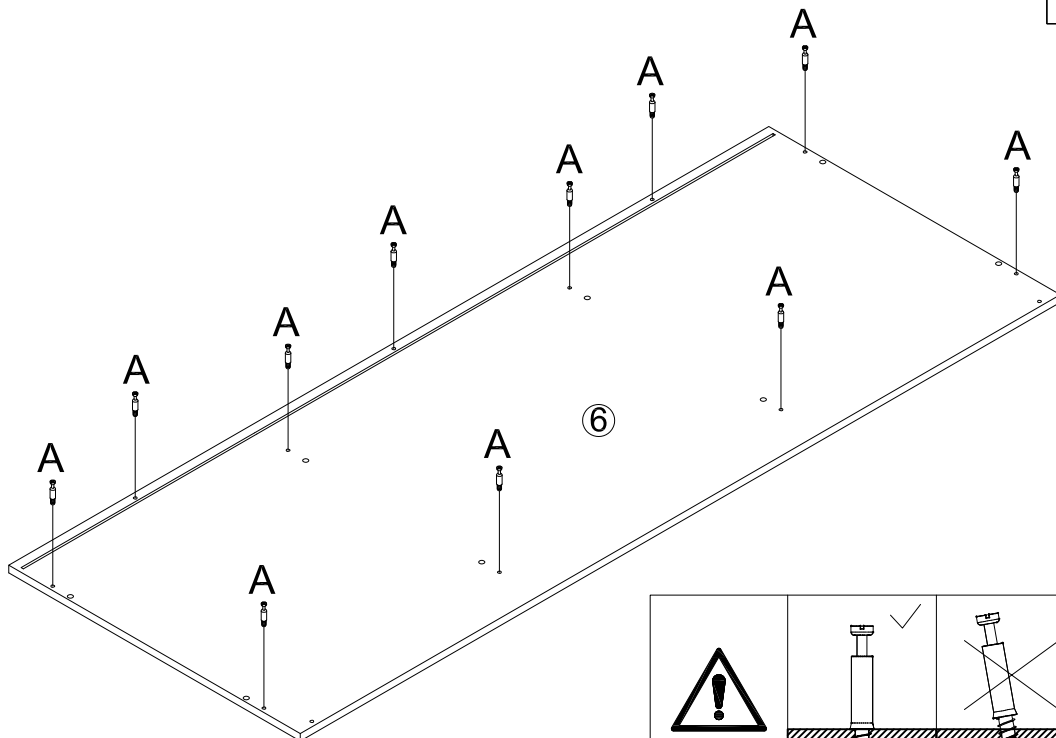
Step 5

| | | | | |
|---|---|---|---|---|
| M | N | K | E | C |
|  |  |  |  |  |
| X2 | X4 | X1 | X6 | X8 |

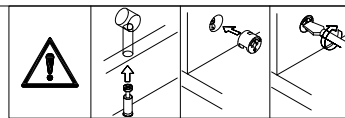



Step 6

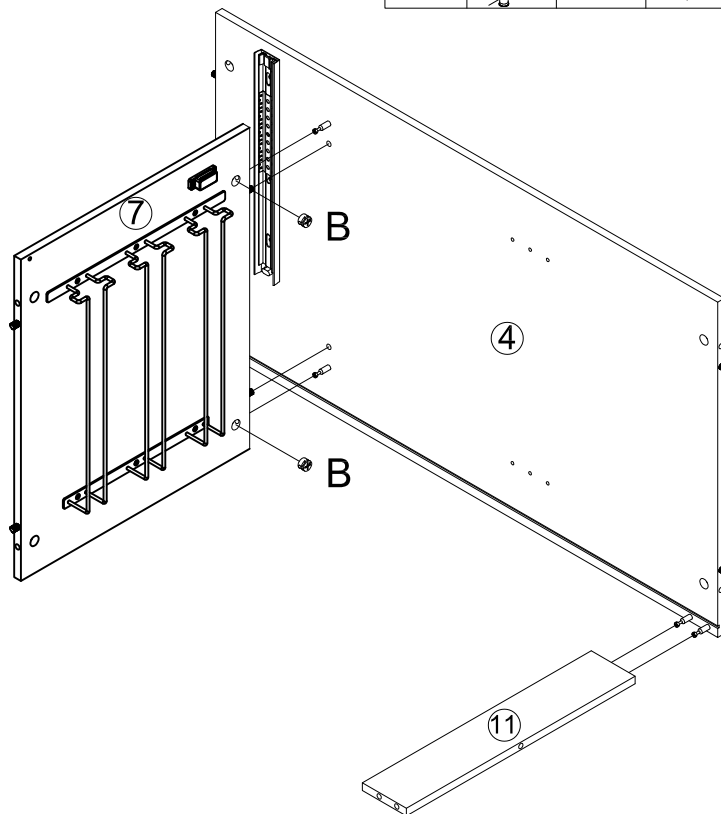
| |
|---|
| A |
|  |
| X 11 |



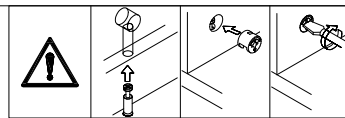
Step 7




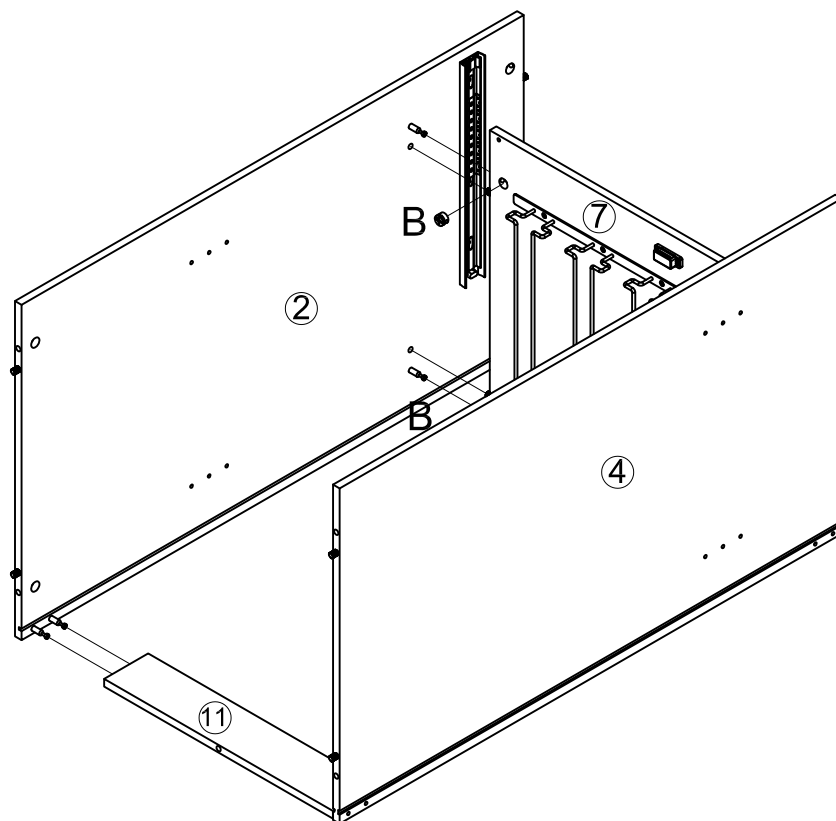
| |
|---|
| B |
|  |
| X 2 |



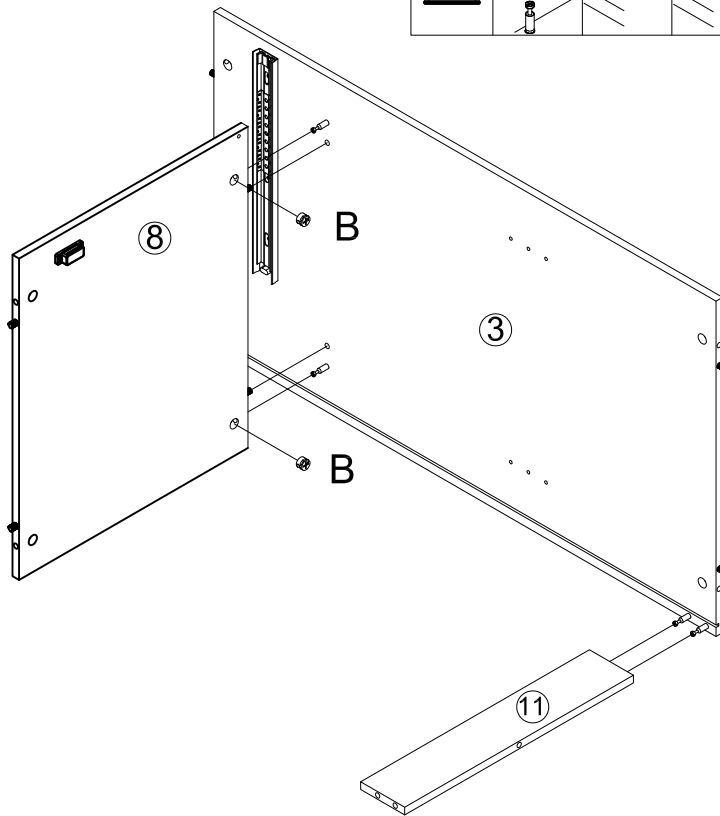
Step 8




| |
|---|
| B |
|  |
| X 2 |

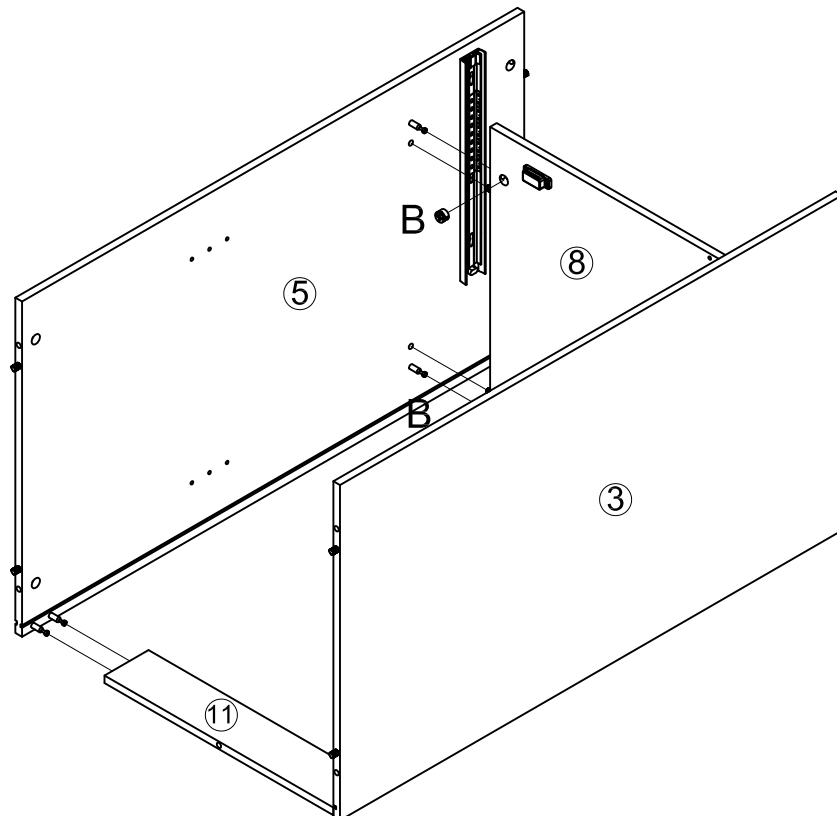



Step 9



| |
|---|
| B |
|  |
| X 2 |

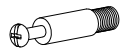
Step 10



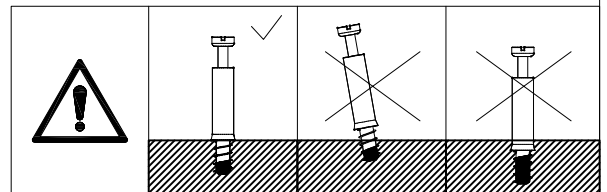
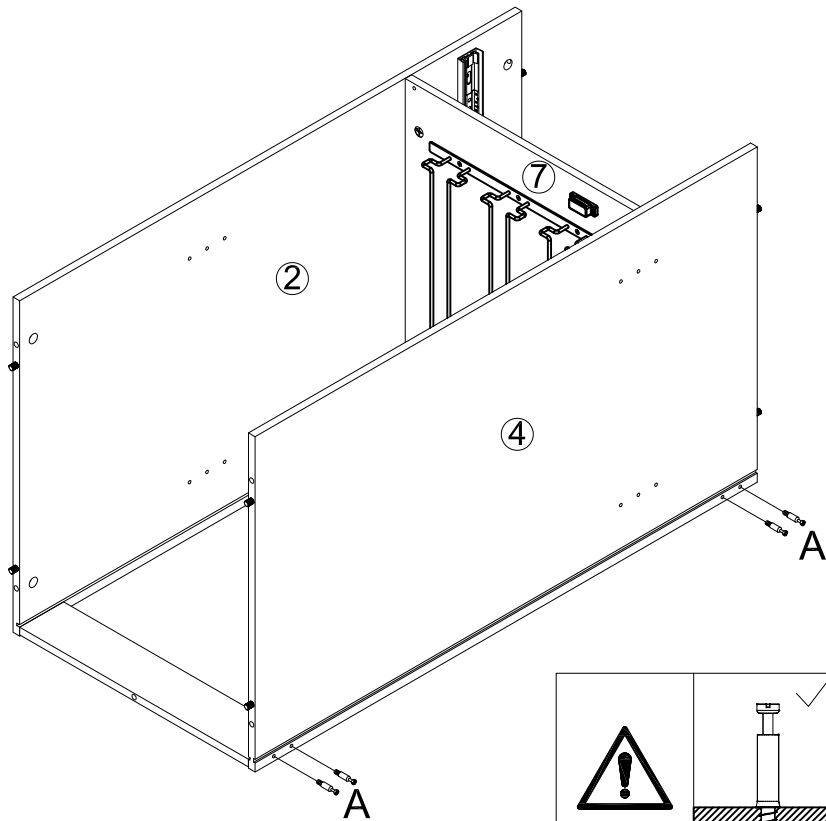
| |
|---|
| B |
|  |
| X 2 |

Step 11

A

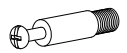


X 4

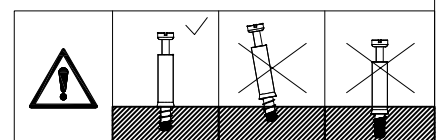
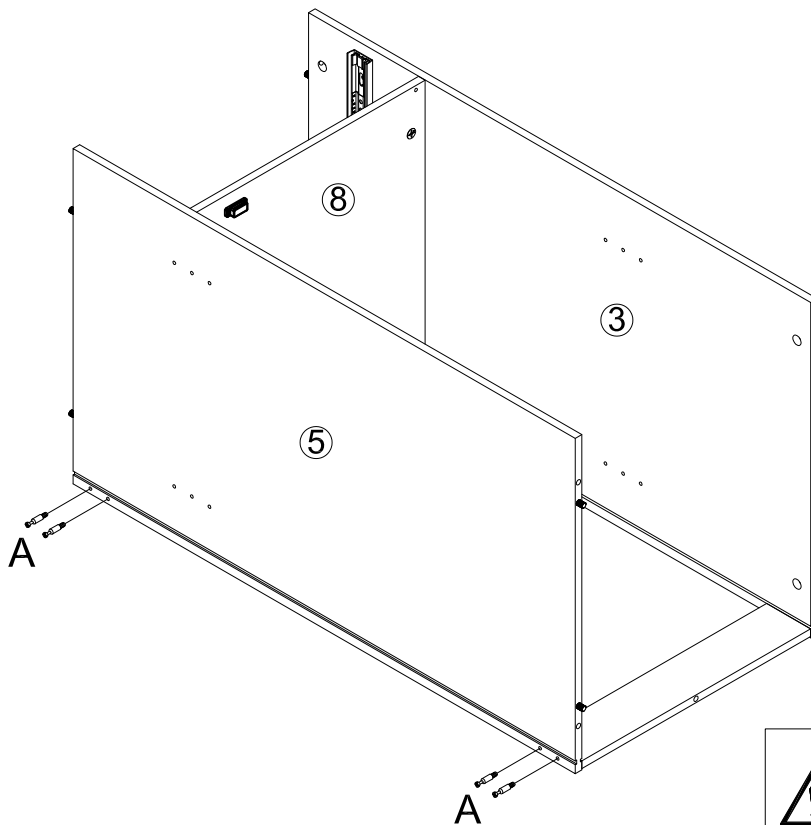


Step 12

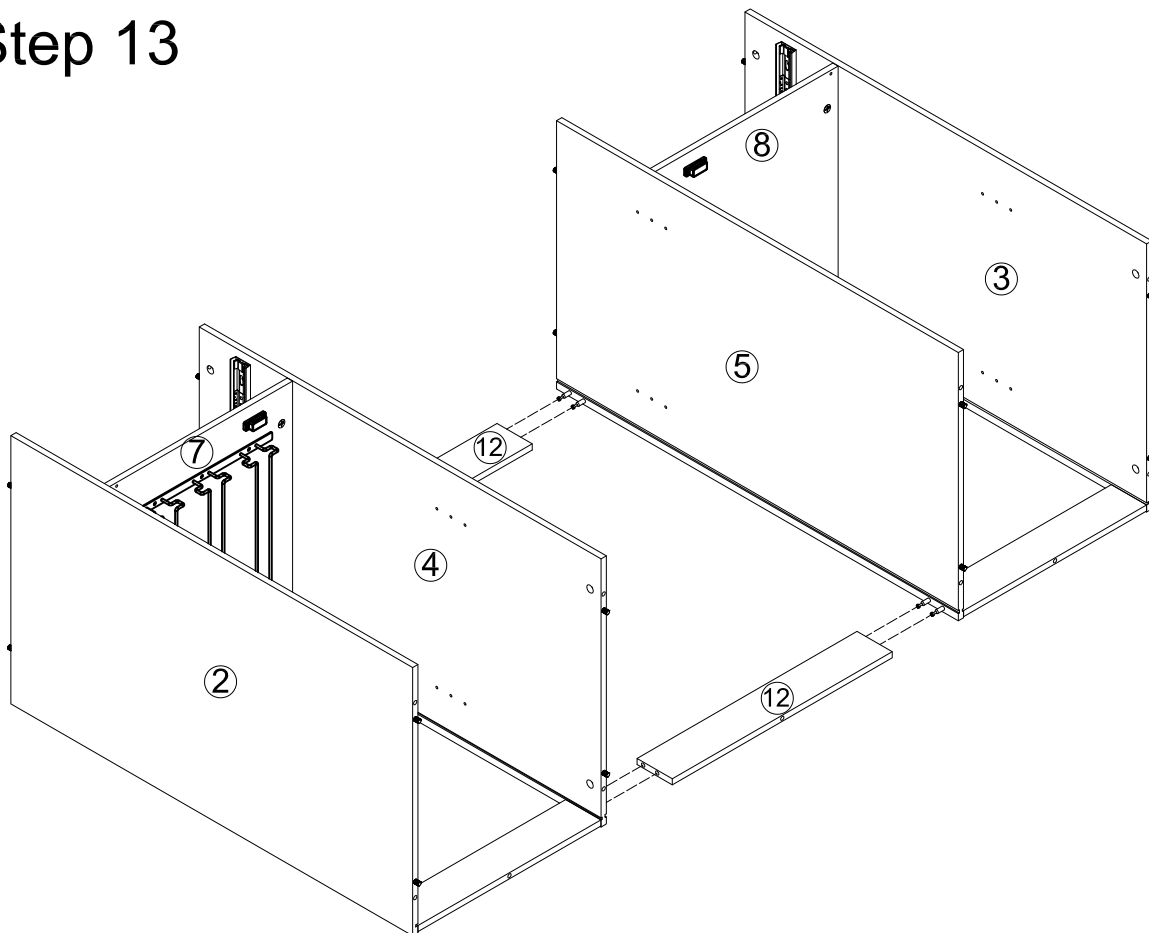
A



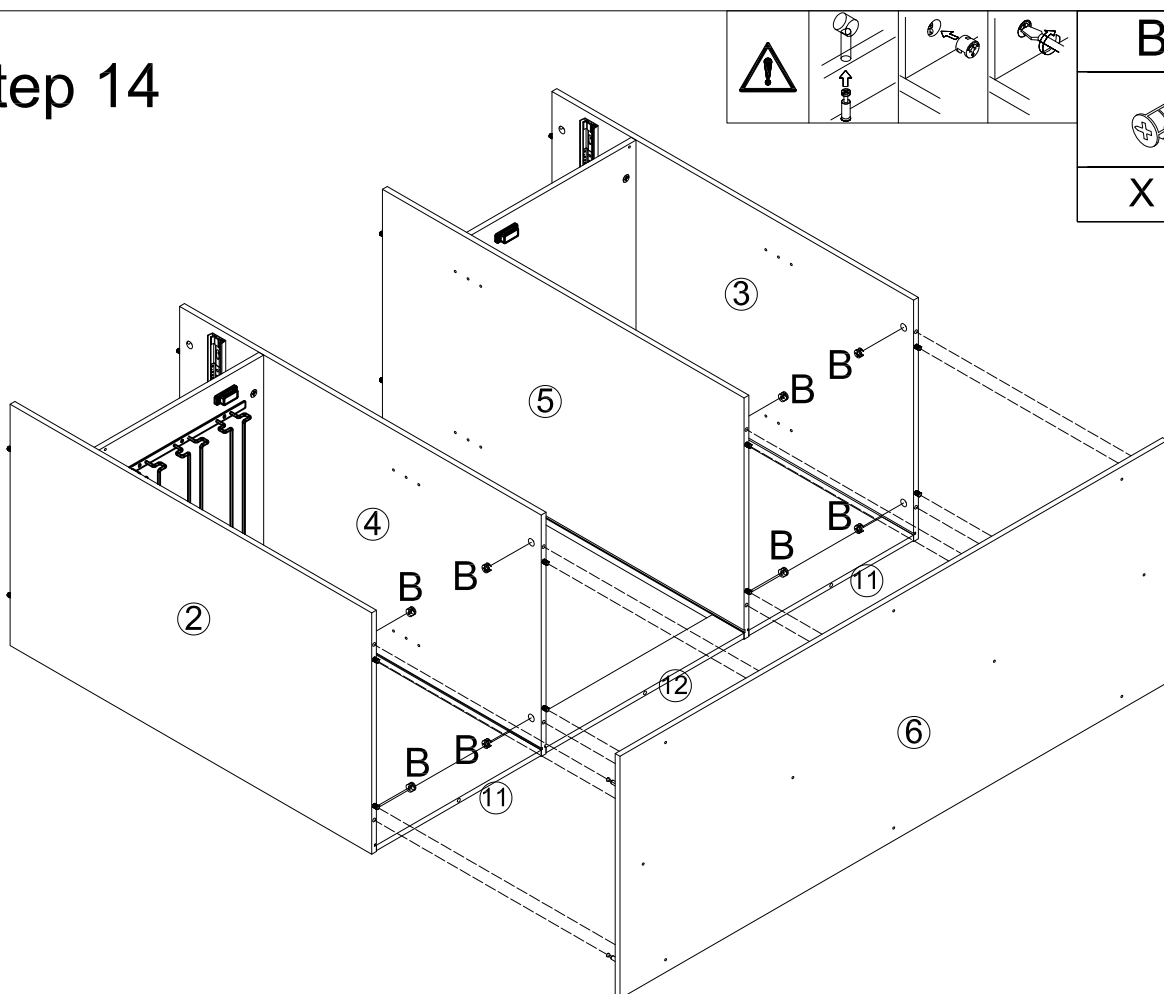
X 4



Step 13



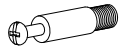
Step 14



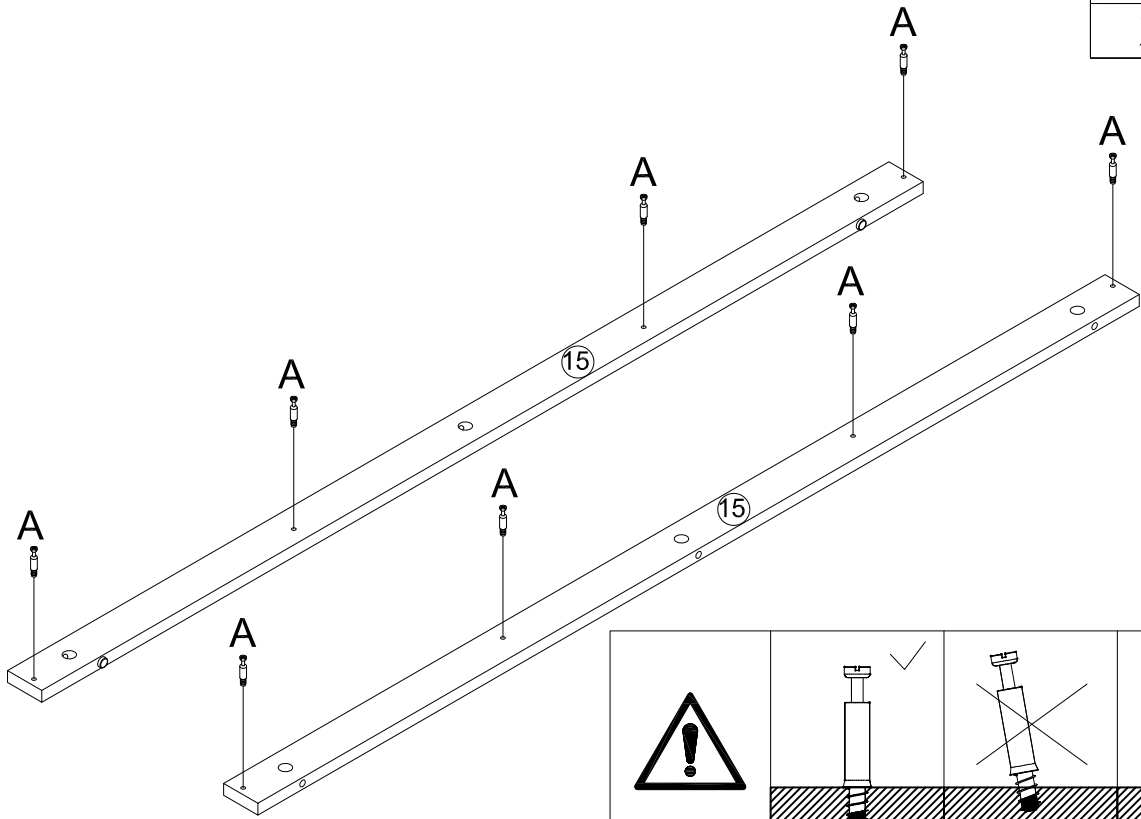
| | | | | |
|--|--|--|--|------------|
| | | | | B |
| | | | | |
| | | | | X 8 |

Step 15

A



X 8

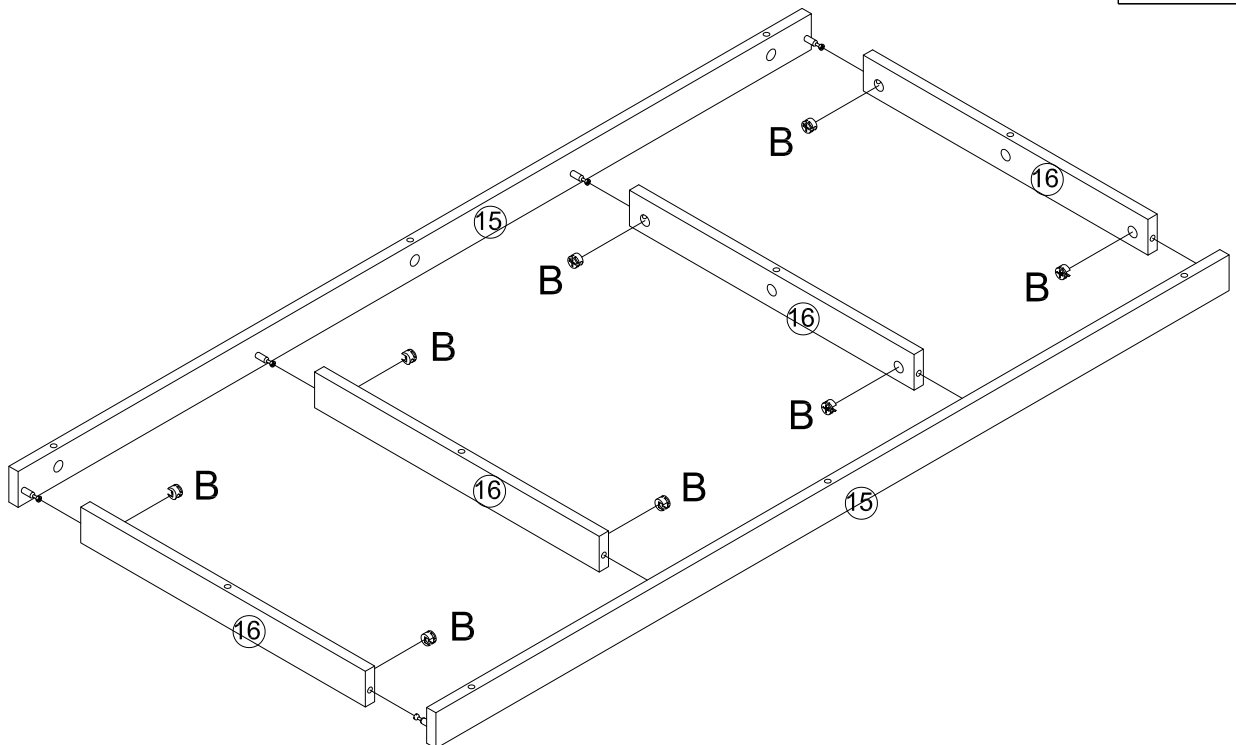


Step 16

B

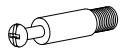


X 8

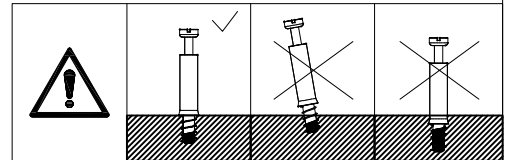
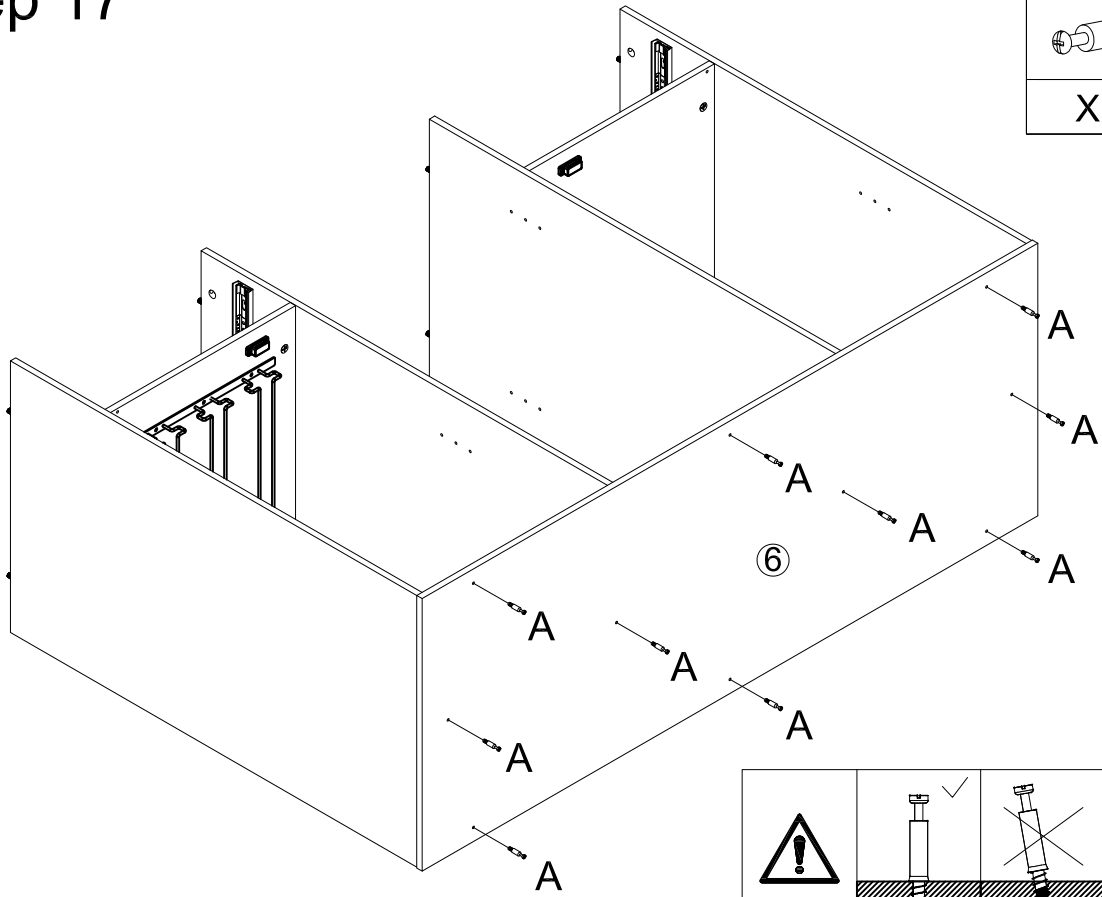


Step 17

A



X 10

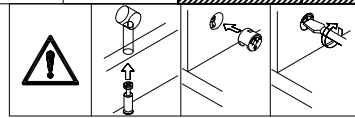
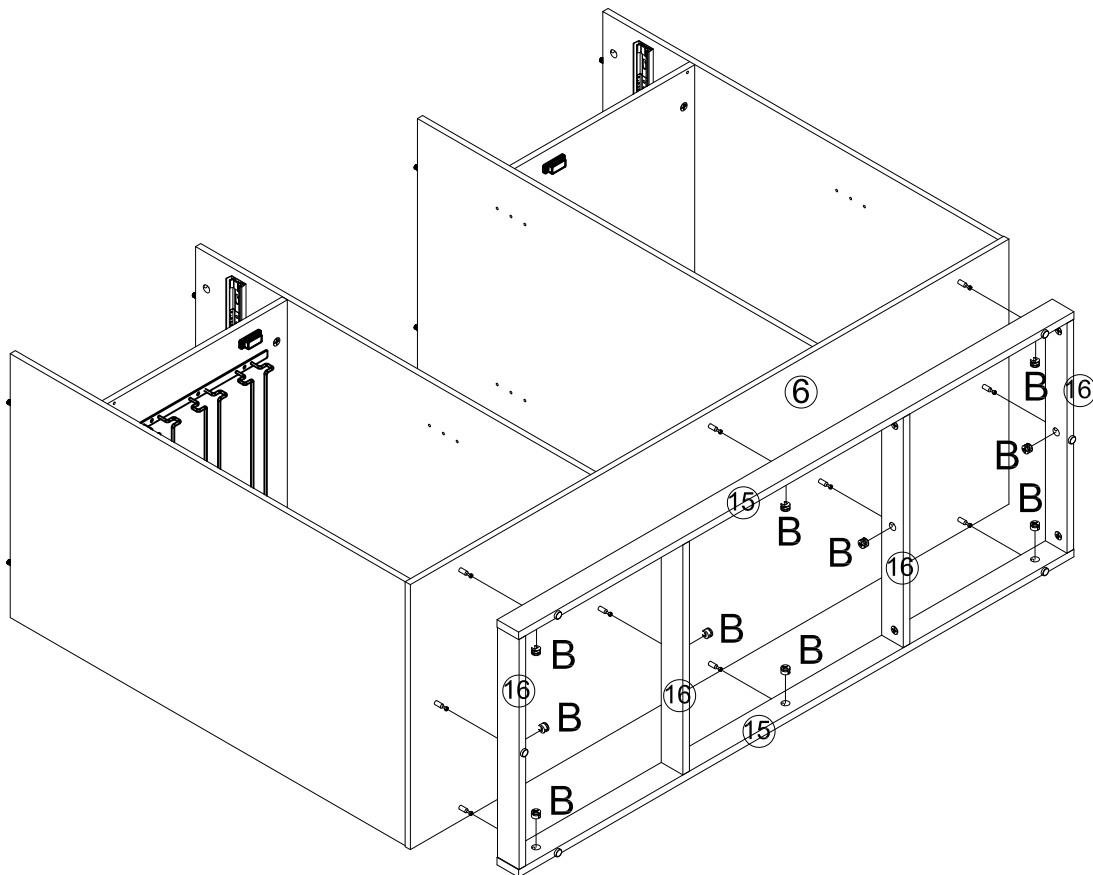


Step 18

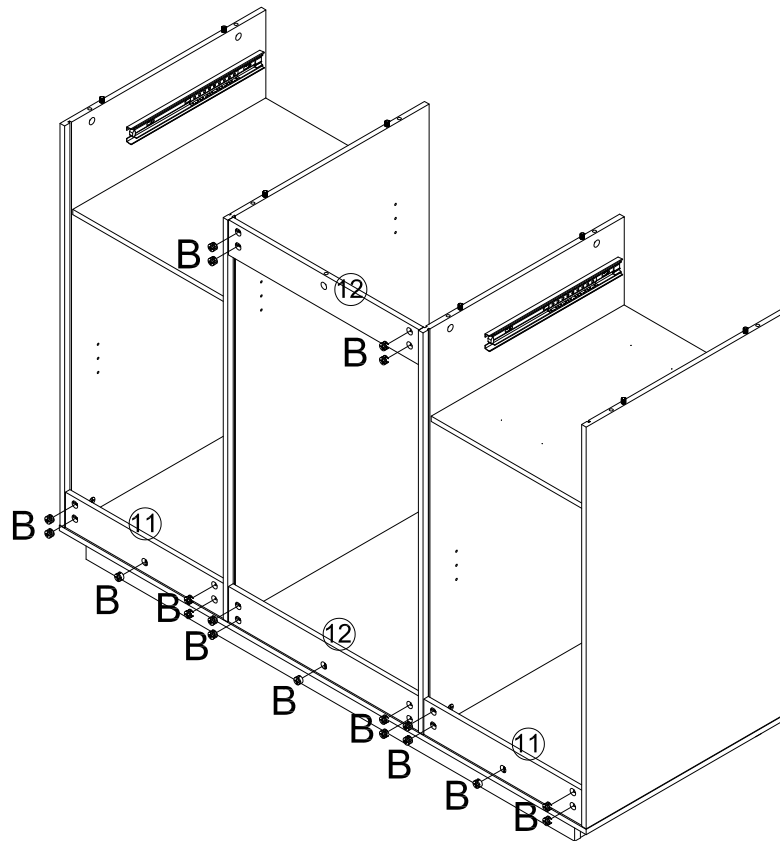
B



X 10



Step 19

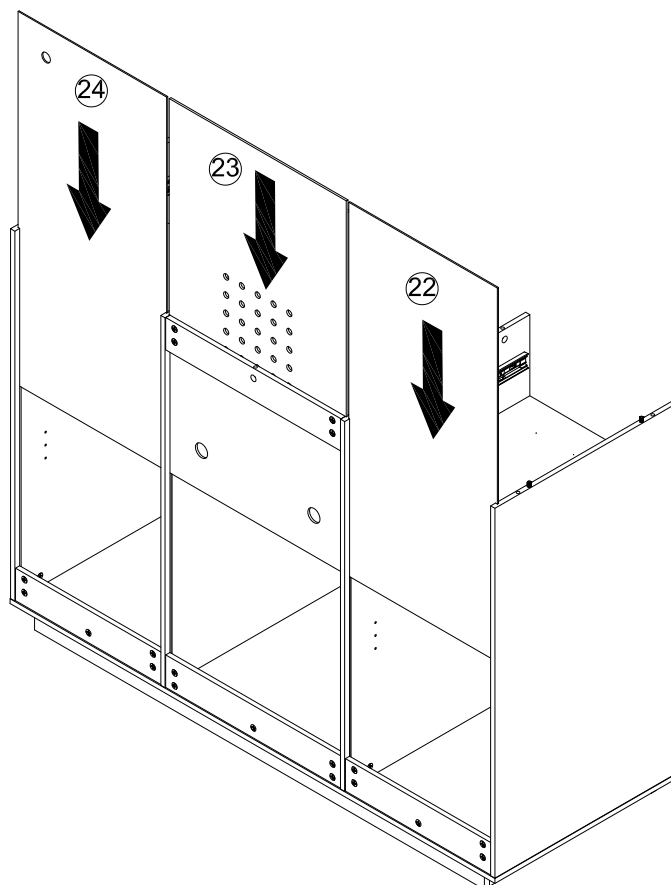


B



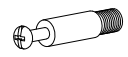
X 19

Step 20

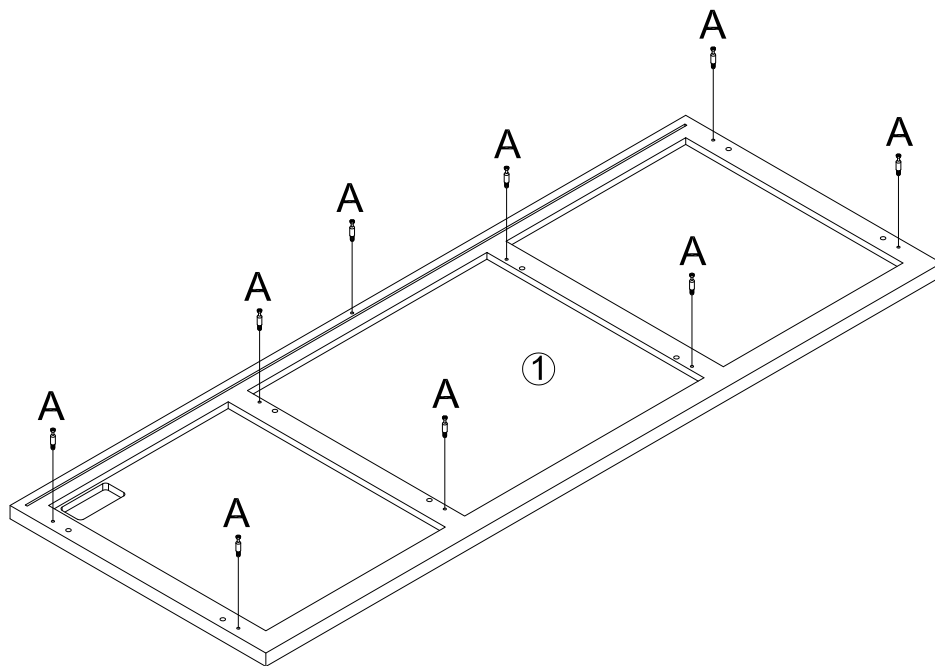


Step 21

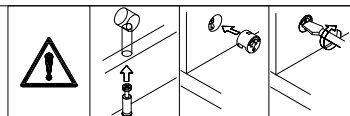
A



X 9



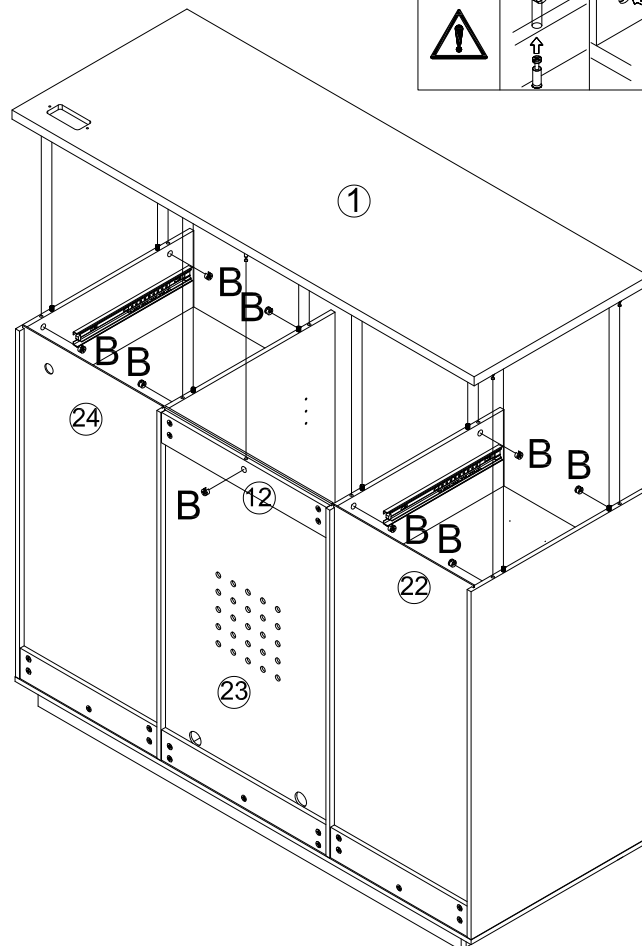
Step 22



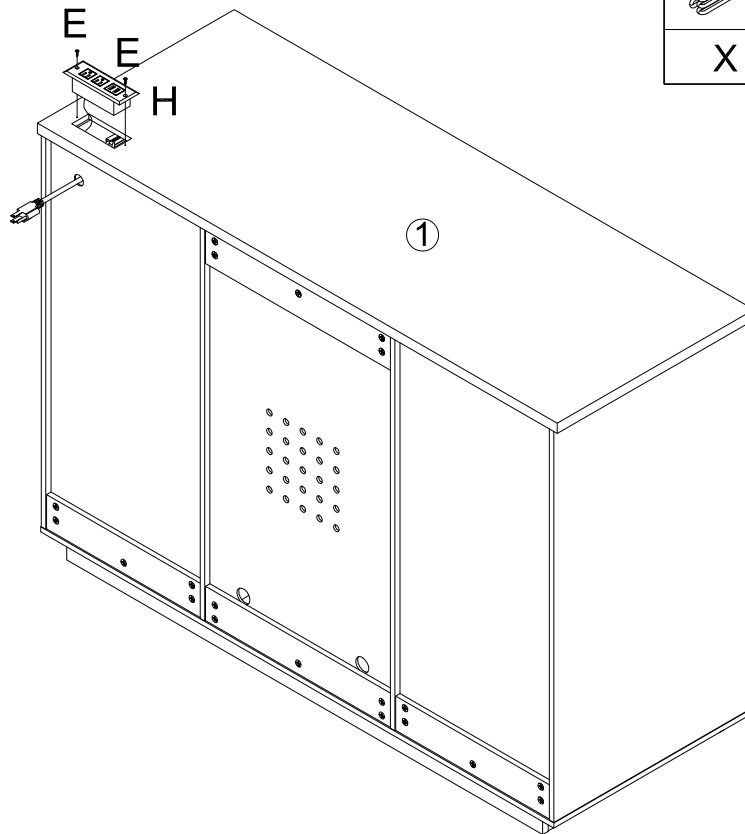
B

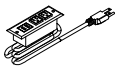



X 9

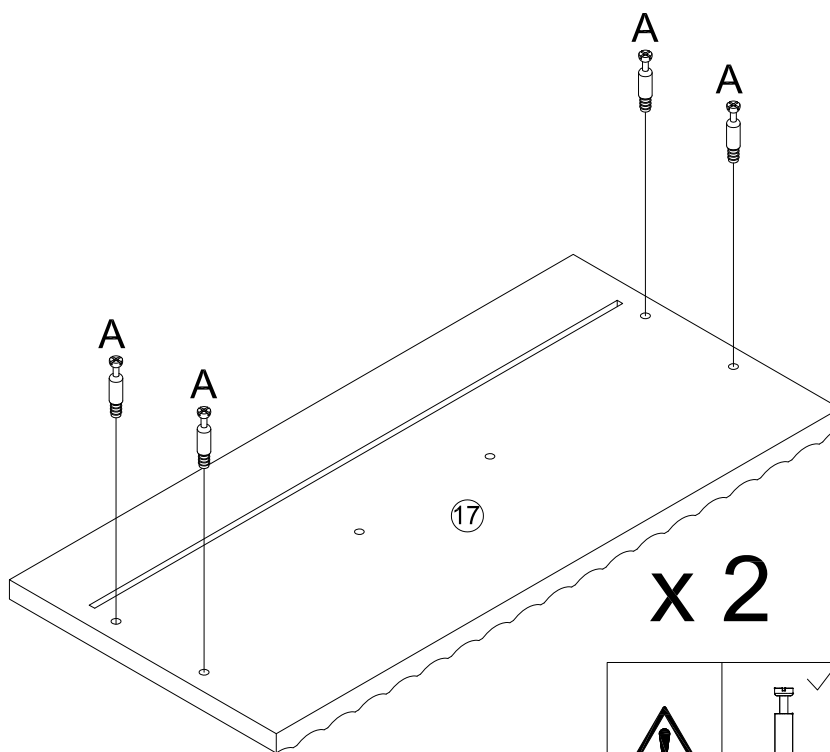


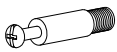
Step 23

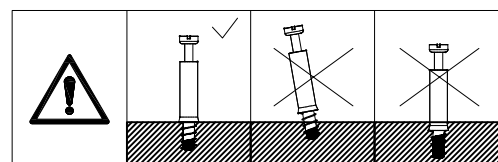


| | |
|---|---|
| H | E |
|  |  |
| X 1 | X 2 |


Step 24

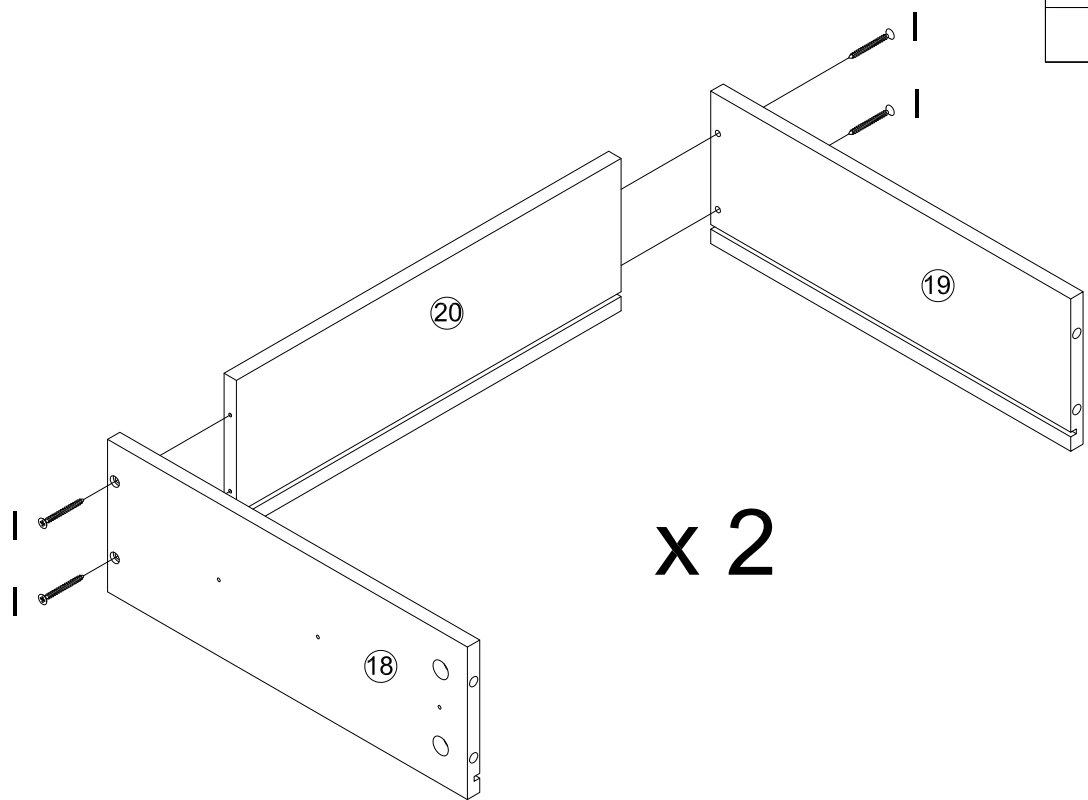


| |
|---|
| A |
|  |
| X 8 |

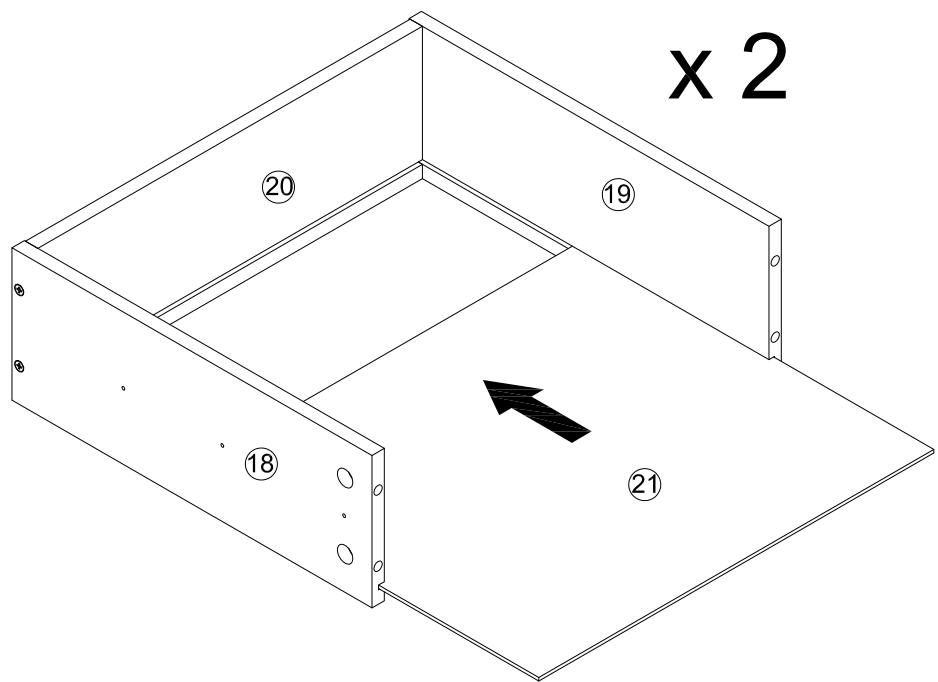


Step 25

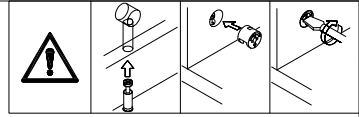
| |
|---|
| I |
|  |
| X 8 |




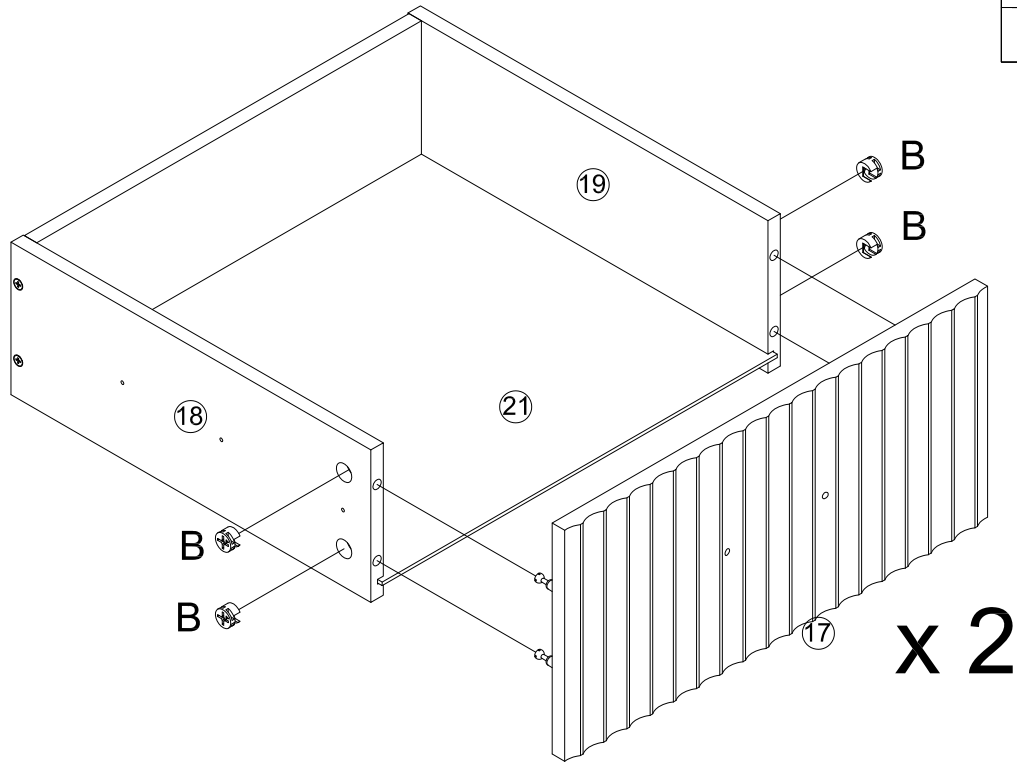
Step 26



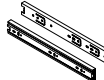

Step 27



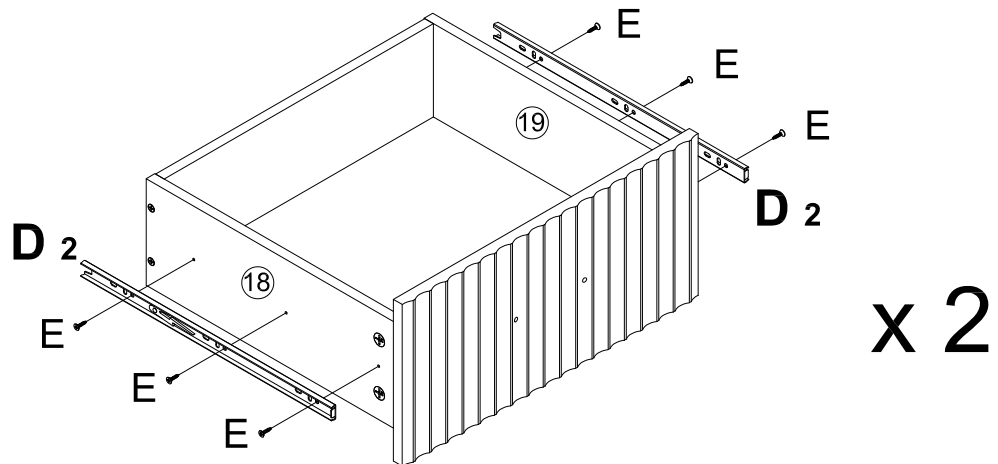
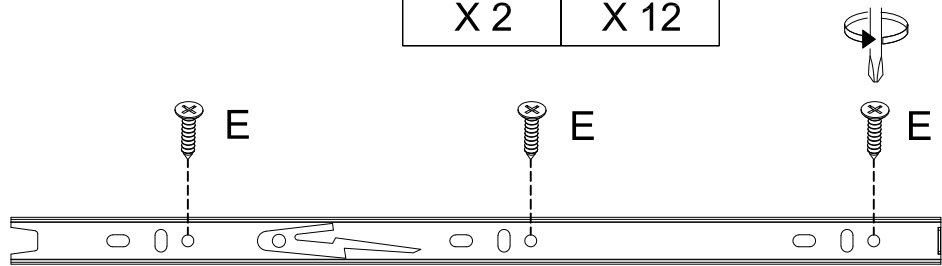
| |
|---|
| B |
|  |
| X 8 |



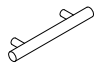

Step 28

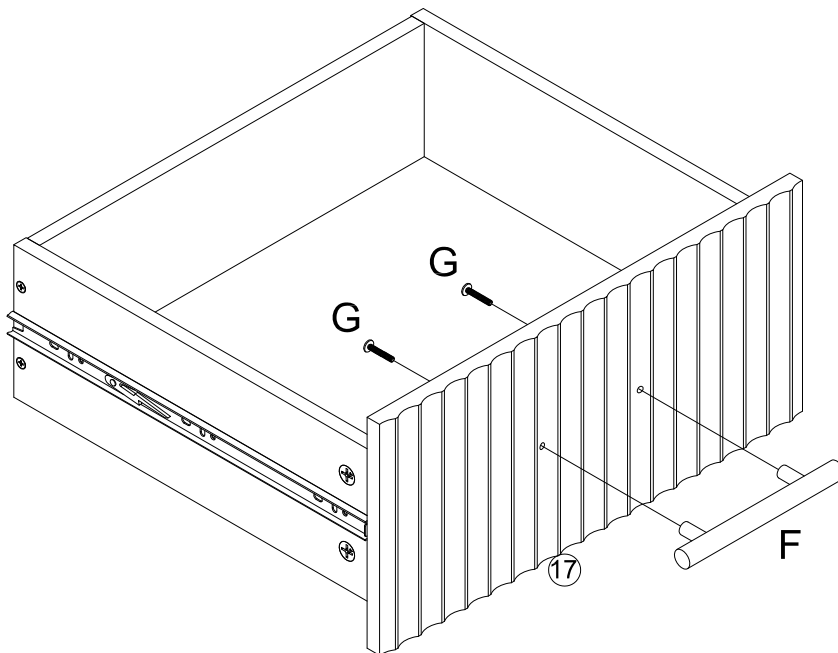
| | |
|---|---|
| D | E |
|  |  |
| X 2 | X 12 |

D₂ Back:



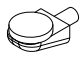
Step 29

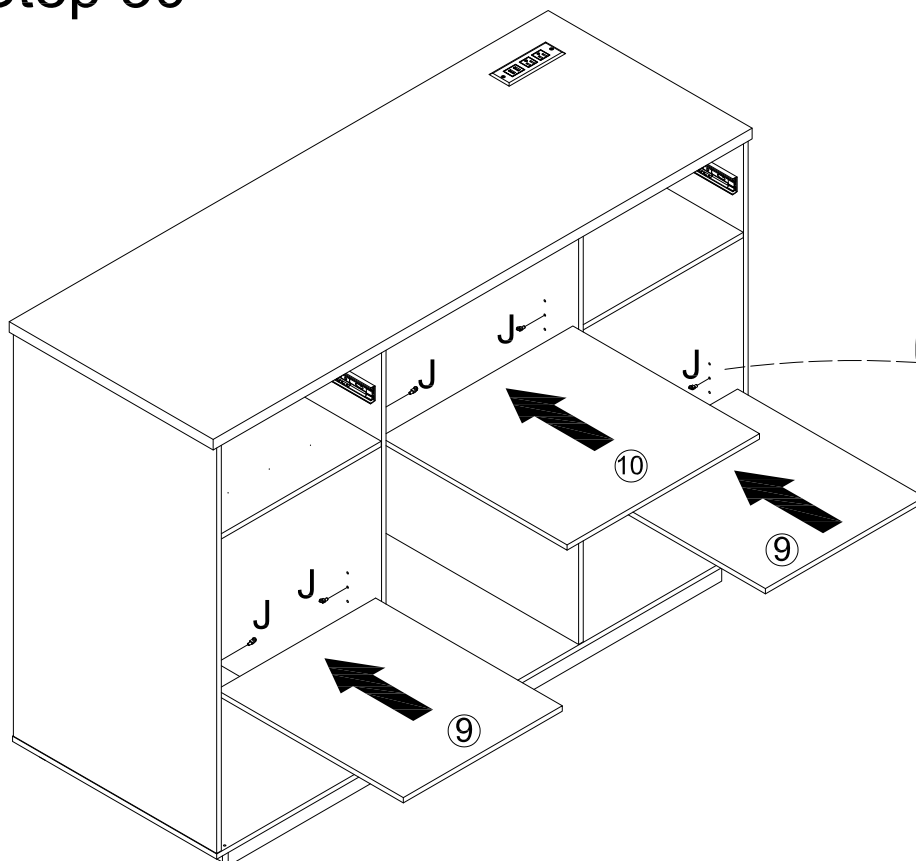
| | |
|---|---|
| F | G |
|  |  |
| X 2 | X 4 |



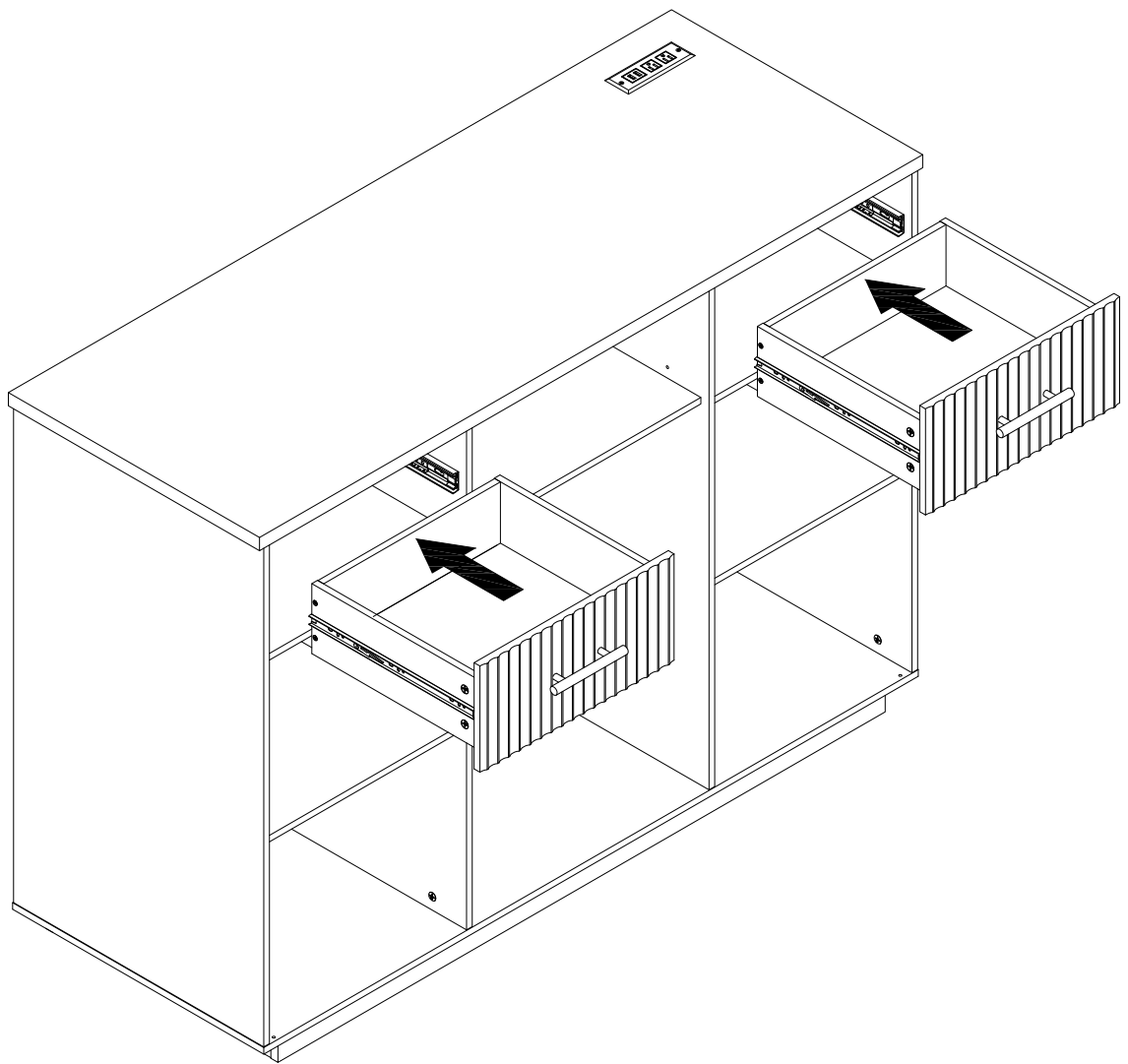
x 2

Step 30

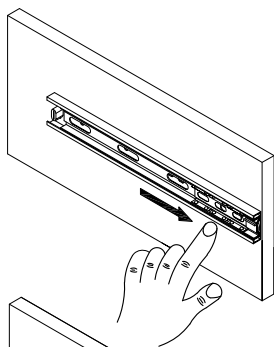
| |
|---|
| J |
|  |
| X 12 |



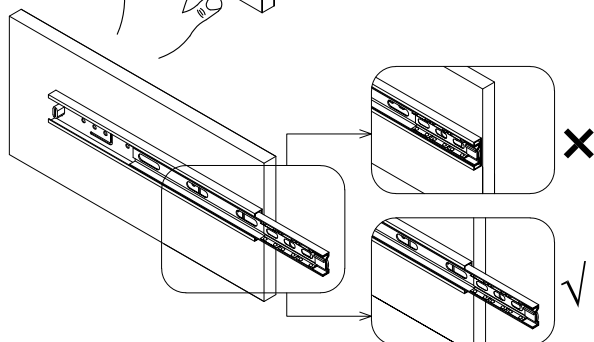
Step 31



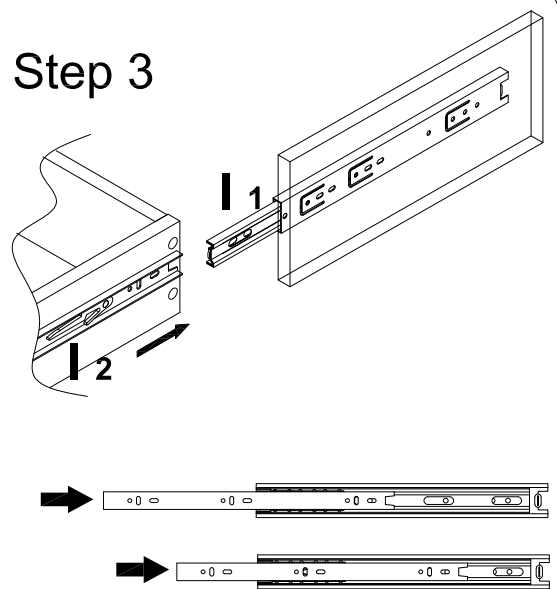
Step 1






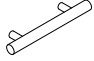

Step 2

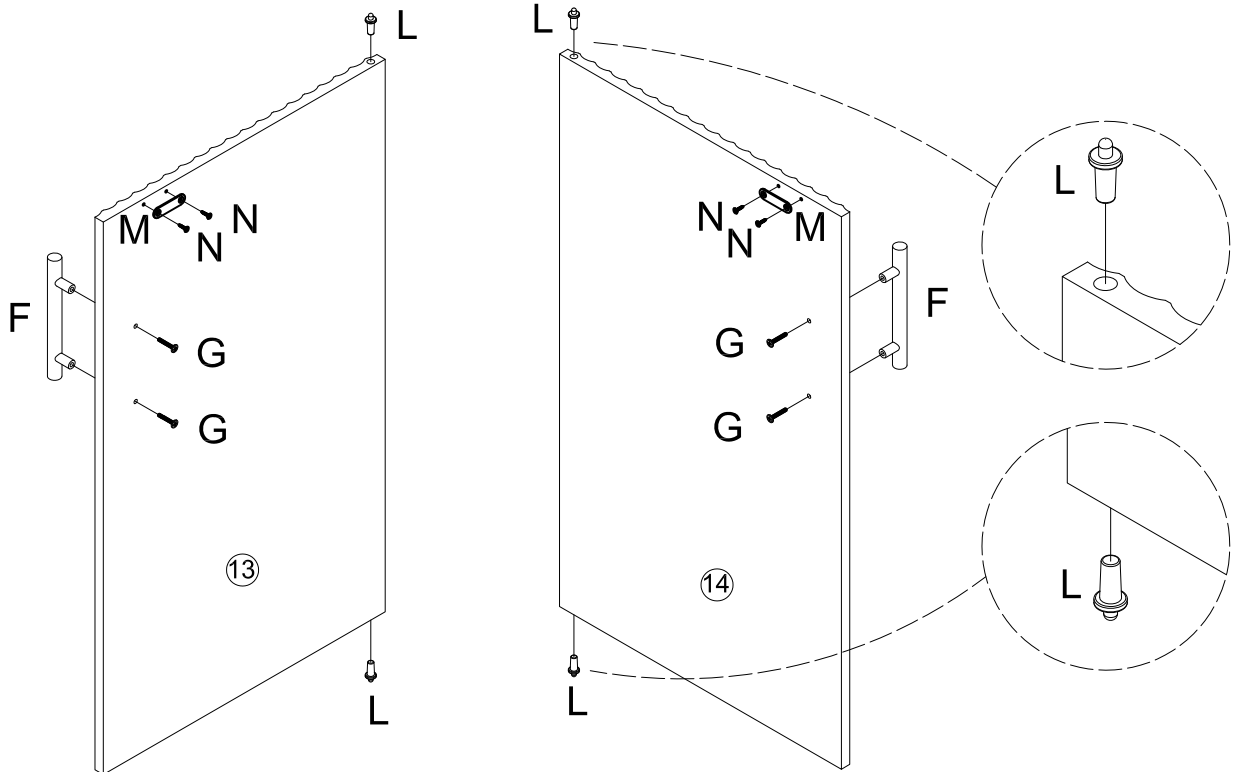


Step 3



Step 32

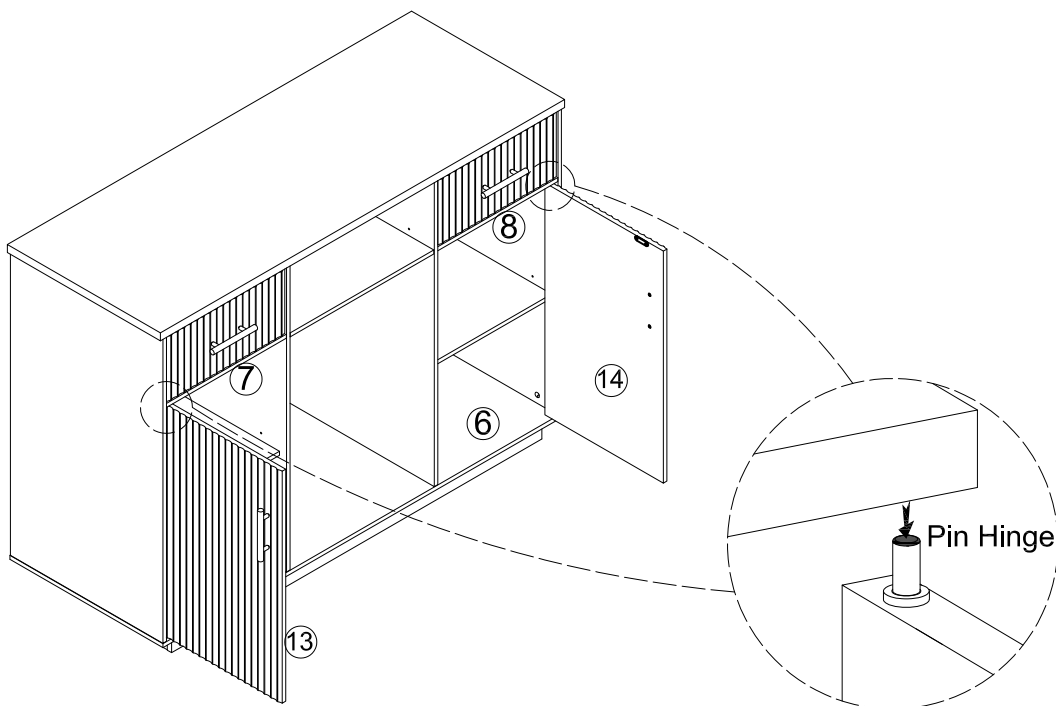
| | | | | |
|---|---|---|---|---|
| M | N | L | F | G |
|  |  |  |  |  |
| X2 | X4 | X4 | X2 | X4 |




Step 33

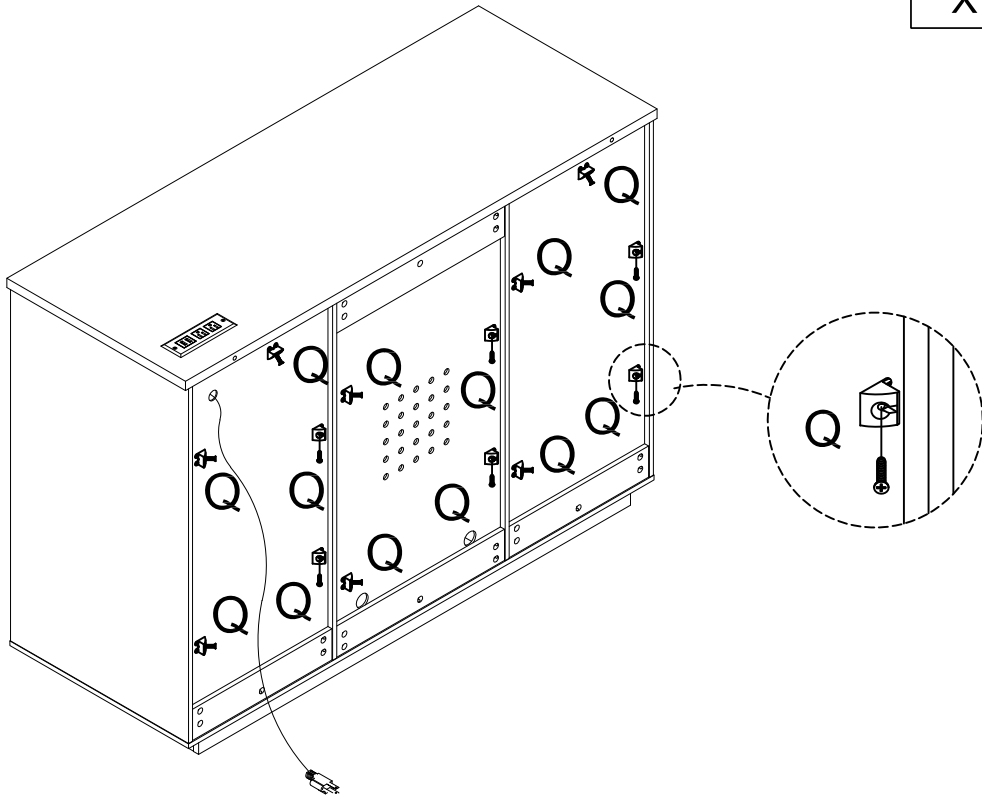
Install doors 13 and 14 by inserting the bottom hinge pin (pre-installed in the door) into the pre-drilled hole in bottom panel 6. Then press down the spring-loaded top hinge pin, align it with the pre-drilled hole in top panel 7 or 8, and release to lock the door in place.

NOTE: Make sure both the top and bottom hinge pins are fully extended and fully seated in the holes to secure the doors.






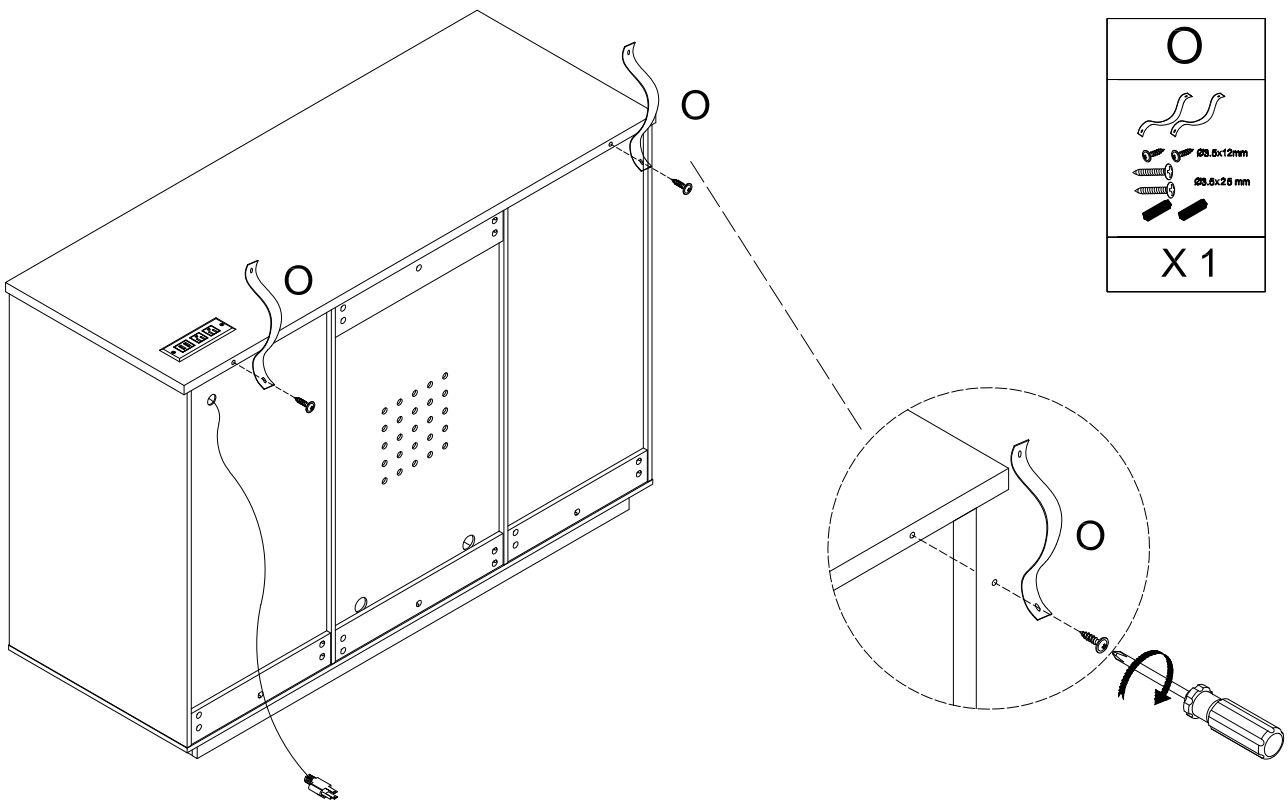
Step 34

| |
|---|
| Q |
|  |
| X 14 |

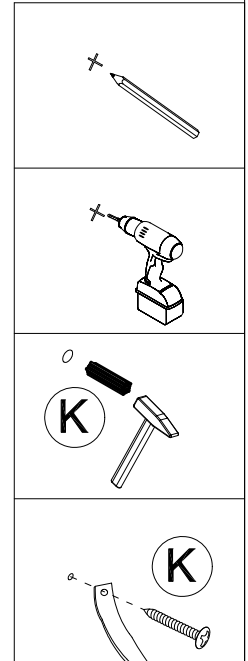
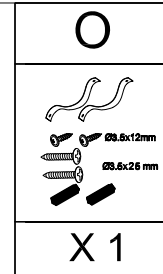
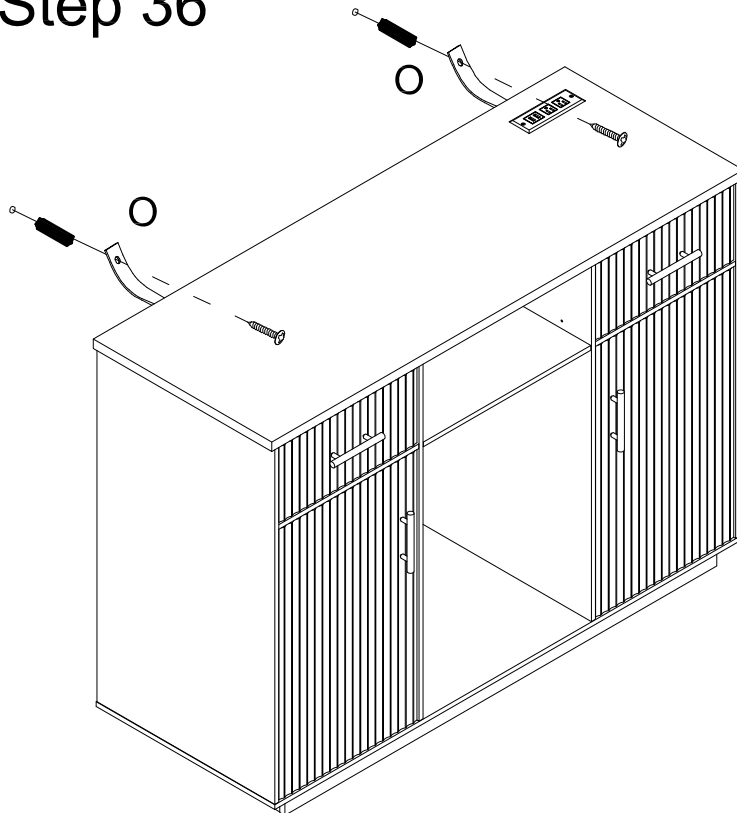


Step 35

| |
|--|
| O |
|  |
|  25.5x12mm |
|  25.5x25 mm |
| X 1 |



Step 36



Tools required (not included): phillips screwdriver, stud finder, tape measure, pencil, power drill and 3/16" drill bit.

Now, follow the instructions printed on the plastic bag containing the tipping restraint hardware to attach the tip-over restraints to the unit and the wall.

NOTE: The tipping restraint hardware included is for wooden stud wall construction. It must be attached to a wall stud depending upon your wall construction, and different anchor hardware maybe required. Please contact your local hardware store for assistance.

Young children can be seriously injured by tipping furniture, so you must install the tipping restraint hardware with the unit to prevent the unit from tipping, in case of causing any accidents or damage.

The tipping restraints are intended only as a deterrent, they are not a substitute for proper adult supervision.

The tipping restraints are not earthquake restraints. if you wish to add the extra security of earthquake restraints, they must be purchased and installed separately.



Tel: 1-844-628-2348 | E-mail: service@kalrin.com | Website: www.kalrin.com

S/N 26065133

0626

2601