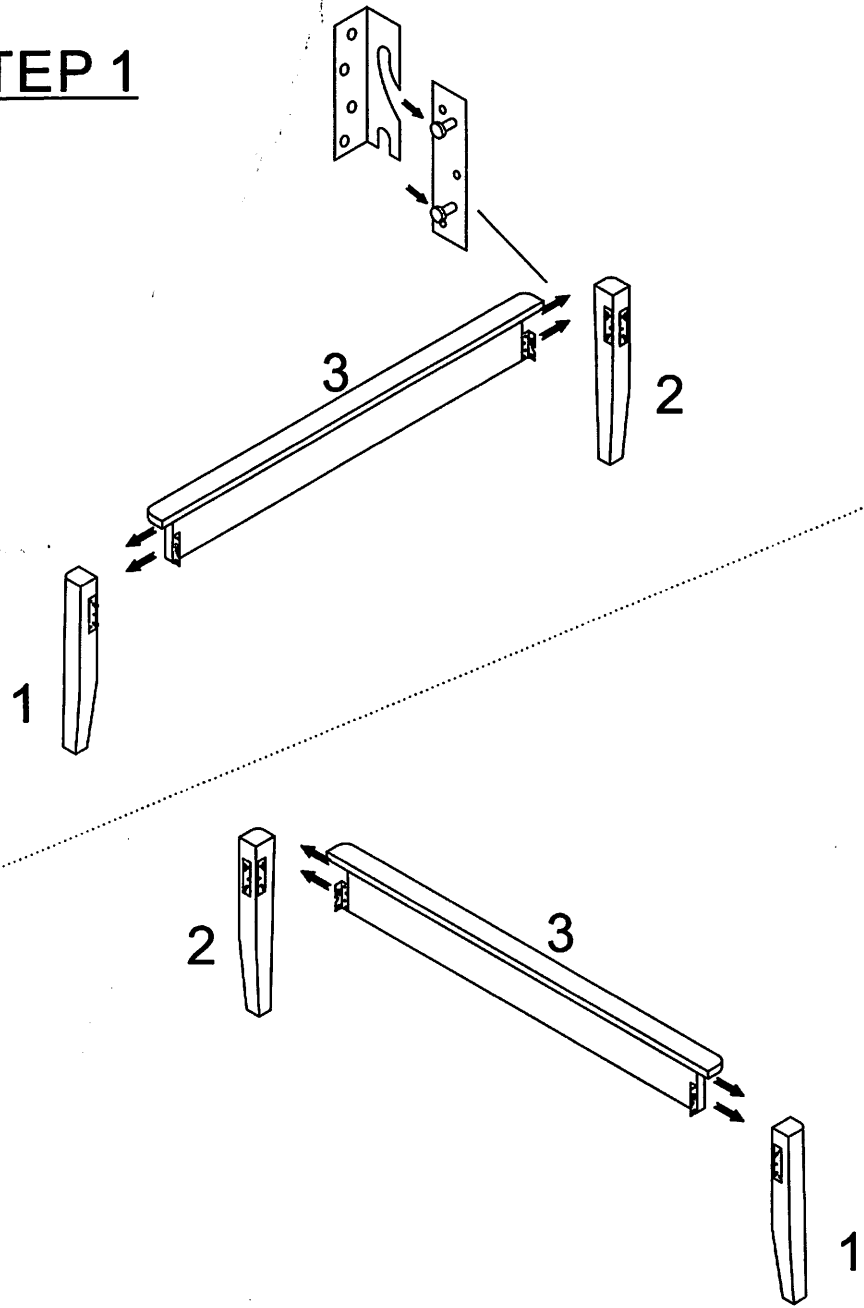
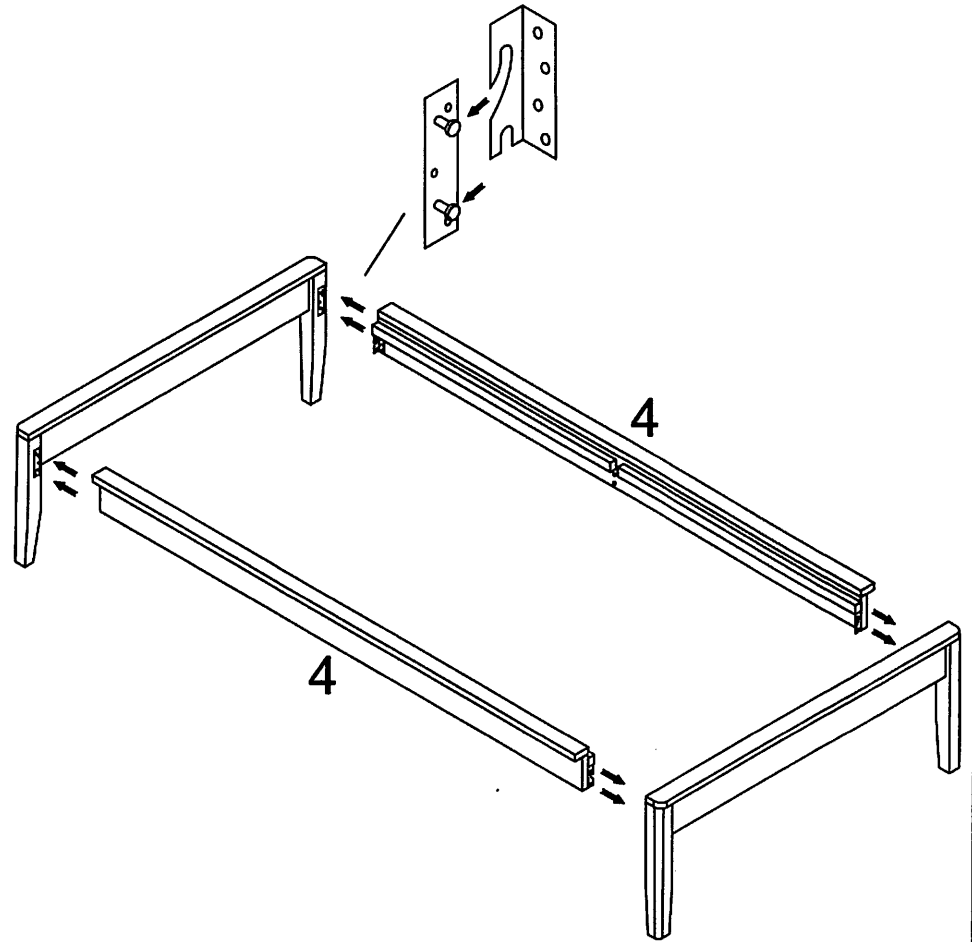


# STEP 1



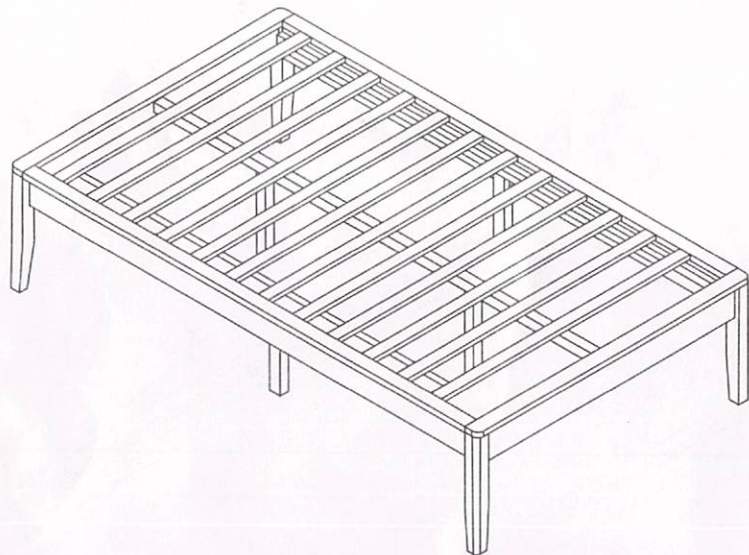
# STEP 2








# BETTER HOME PRODUCTS

## ASSEMBLY INSTRUCTIONS

The Pine Bed (PLATFORM BED)

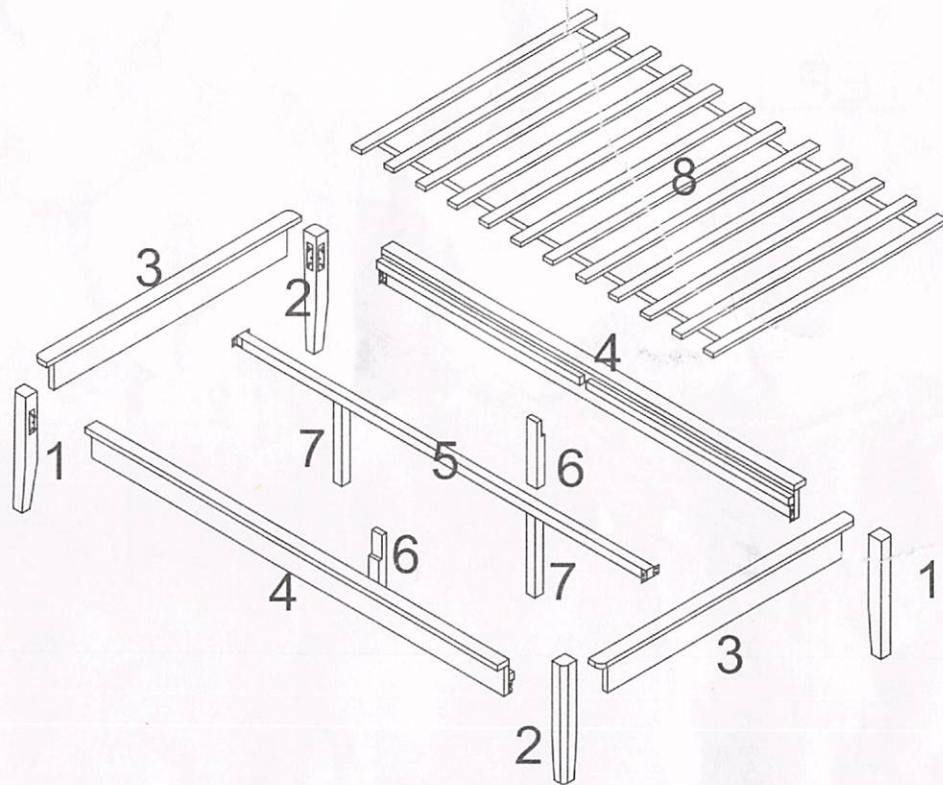


### Hardware list

A		2 inches bolt	2pcs
B		1 inches bolt	4pcs
C		1 inches bolt	8pcs
D		Allen key	1pc
E		SCREWDRIVER	1pc

MADE IN CHINA

Page 1/8



### Parts list

1	legs	2pcs
2	legs	2pcs
3	headboards	2pcs
4	side rails	2pcs
5	center support rails	1pc
6	side support legs	2pcs
7	center support legs	2pcs
8	slats	1pc

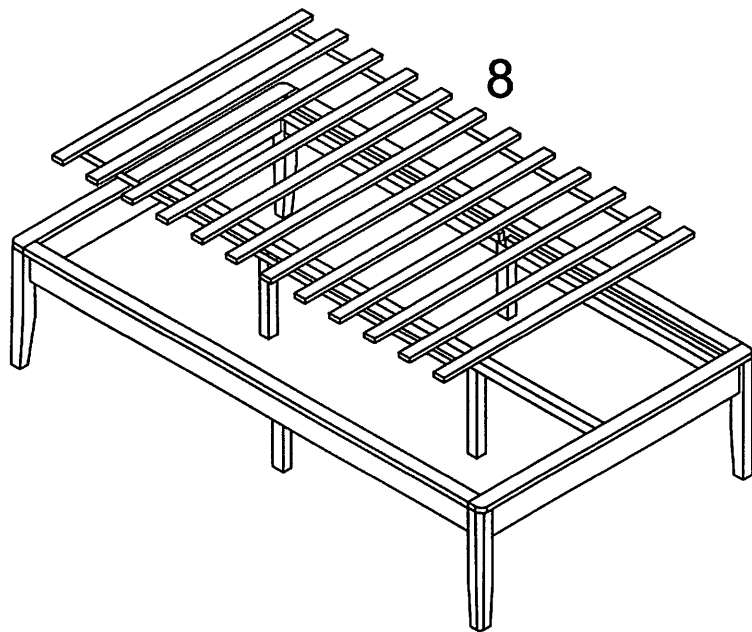


Before Starting assembly  
please verify if all parts and  
hardware are included.

MADE IN CHINA

Page 2/8

## STEP 5



# THANK YOU

**We hope you enjoy your new purchase.**

**We have personally inspected this product.**

**In the event that you need any additional help for any reason,**

**Please do not hesitate to contact us at: 973-437-5068**

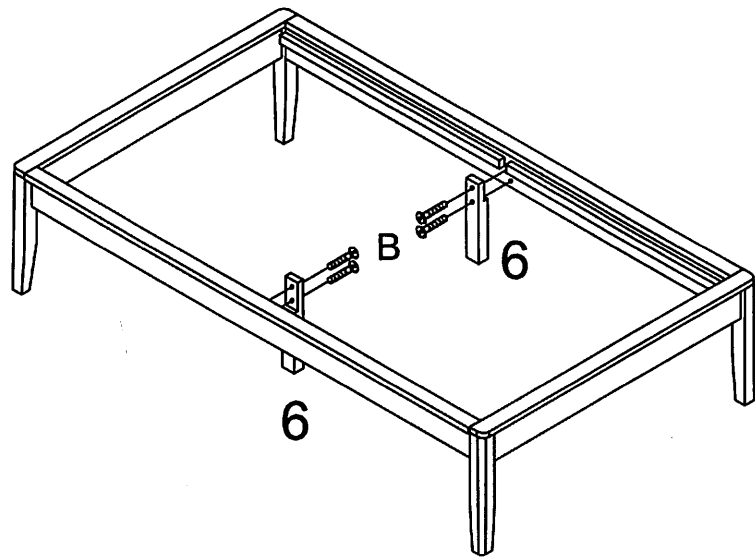
**email [peter@better-homeproducts.com](mailto:peter@better-homeproducts.com)**

**see our website [Woodpeckers-furniture.com](http://Woodpeckers-furniture.com)**

**Better Home Products  
323 Cortlandt Street  
Belleville New Jersey**

**Thank you**

# STEP 3



# STEP 4

