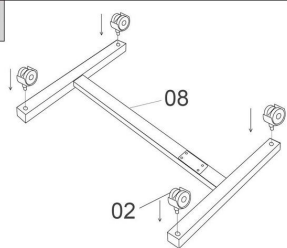
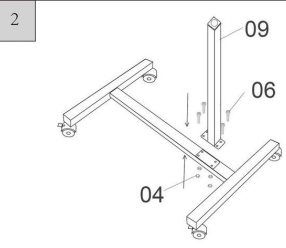
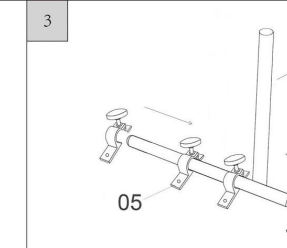
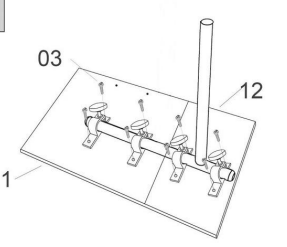
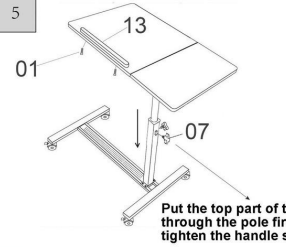









































INSTALLATION INSTRUCTION ITEM: 0203

| | | | | | | | | | | | | | | | | | | | | | | | | | | | | | |
|---|---|--|------|--|--|------|---|---|------|---|------|---|---|------|---|-----|----|---|-----|---|----|---|-----|----|---|-----|----|---|-----|
| <div style="text-align: center; background-color: #cccccc; width: 20px; height: 20px; margin: 0 auto; line-height: 20px;">1</div>  | <div style="text-align: center; background-color: #cccccc; width: 20px; height: 20px; margin: 0 auto; line-height: 20px;">2</div>  | <div style="text-align: center; background-color: #cccccc; width: 20px; height: 20px; margin: 0 auto; line-height: 20px;">3</div>  | | | | | | | | | | | | | | | | | | | | | | | | | | | |
| <div style="text-align: center; background-color: #cccccc; width: 20px; height: 20px; margin: 0 auto; line-height: 20px;">4</div>  | <div style="text-align: center; background-color: #cccccc; width: 20px; height: 20px; margin: 0 auto; line-height: 20px;">5</div>  <p style="font-size: small; margin-top: 5px;">Put the top part of the desk in through the pole first, then tighten the handle screws.</p> | <table style="width: 100%; border-collapse: collapse;"> <tr> <td style="width: 10%; text-align: right;">01</td> <td style="width: 60%;"> 25mm</td> <td style="width: 30%; text-align: right;">2PCS</td> </tr> <tr> <td style="text-align: right;">02</td> <td></td> <td style="text-align: right;">4PCS</td> </tr> <tr> <td style="text-align: right;">03</td> <td> 12mm</td> <td style="text-align: right;">8PCS</td> </tr> <tr> <td style="text-align: right;">04</td> <td></td> <td style="text-align: right;">4PCS</td> </tr> </table> | 01 |  25mm | 2PCS | 02 |  | 4PCS | 03 |  12mm | 8PCS | 04 |  | 4PCS | | | | | | | | | | | | | | | |
| 01 |  25mm | 2PCS | | | | | | | | | | | | | | | | | | | | | | | | | | | |
| 02 |  | 4PCS | | | | | | | | | | | | | | | | | | | | | | | | | | | |
| 03 |  12mm | 8PCS | | | | | | | | | | | | | | | | | | | | | | | | | | | |
| 04 |  | 4PCS | | | | | | | | | | | | | | | | | | | | | | | | | | | |
| <table style="width: 100%; border-collapse: collapse;"> <tr> <td style="width: 10%; text-align: right;">05</td> <td style="width: 60%;"></td> <td style="width: 30%; text-align: right;">4PCS</td> </tr> <tr> <td style="text-align: right;">06</td> <td> 35mm</td> <td style="text-align: right;">4PCS</td> </tr> <tr> <td style="text-align: right;">07</td> <td></td> <td style="text-align: right;">2PCS</td> </tr> </table> | 05 |  | 4PCS | 06 |  35mm | 4PCS | 07 |  | 2PCS | <table style="width: 100%; border-collapse: collapse;"> <tr> <td style="width: 10%; text-align: right;">08</td> <td style="width: 60%;"></td> <td style="width: 30%; text-align: right;">1PC</td> </tr> <tr> <td style="text-align: right;">09</td> <td></td> <td style="text-align: right;">1PC</td> </tr> <tr> <td style="text-align: right;">10</td> <td></td> <td style="text-align: right;">1PC</td> </tr> </table> | 08 |  | 1PC | 09 |  | 1PC | 10 |  | 1PC | <table style="width: 100%; border-collapse: collapse;"> <tr> <td style="width: 10%; text-align: right;">11</td> <td style="width: 60%;"></td> <td style="width: 30%; text-align: right;">1PC</td> </tr> <tr> <td style="text-align: right;">12</td> <td></td> <td style="text-align: right;">1PC</td> </tr> <tr> <td style="text-align: right;">13</td> <td></td> <td style="text-align: right;">1PC</td> </tr> </table> | 11 |  | 1PC | 12 |  | 1PC | 13 |  | 1PC |
| 05 |  | 4PCS | | | | | | | | | | | | | | | | | | | | | | | | | | | |
| 06 |  35mm | 4PCS | | | | | | | | | | | | | | | | | | | | | | | | | | | |
| 07 |  | 2PCS | | | | | | | | | | | | | | | | | | | | | | | | | | | |
| 08 |  | 1PC | | | | | | | | | | | | | | | | | | | | | | | | | | | |
| 09 |  | 1PC | | | | | | | | | | | | | | | | | | | | | | | | | | | |
| 10 |  | 1PC | | | | | | | | | | | | | | | | | | | | | | | | | | | |
| 11 |  | 1PC | | | | | | | | | | | | | | | | | | | | | | | | | | | |
| 12 |  | 1PC | | | | | | | | | | | | | | | | | | | | | | | | | | | |
| 13 |  | 1PC | | | | | | | | | | | | | | | | | | | | | | | | | | | |