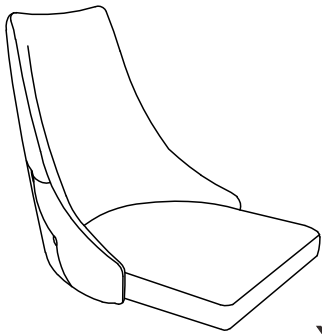


ITEM NAME /NOM D' ITEM: DINING CHAIR

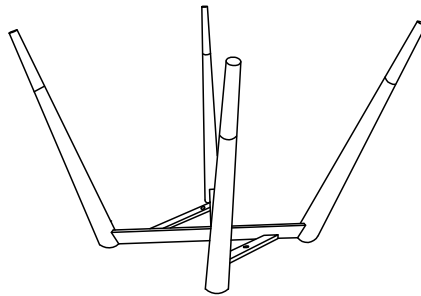
PART LIST/Liste des pièces

(1)



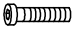


X1

(2)



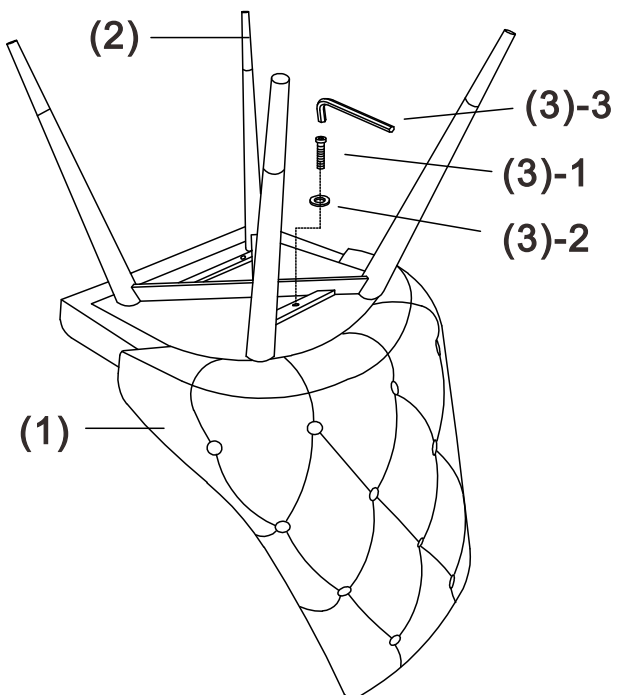
X1

(3)

- | | | | |
|----|---|----|---------|
| 1. |  | X3 | M6*20mm |
| 2. |  | X3 | |
| 3. |  | X1 | |

INSTRUCTION

A



B

