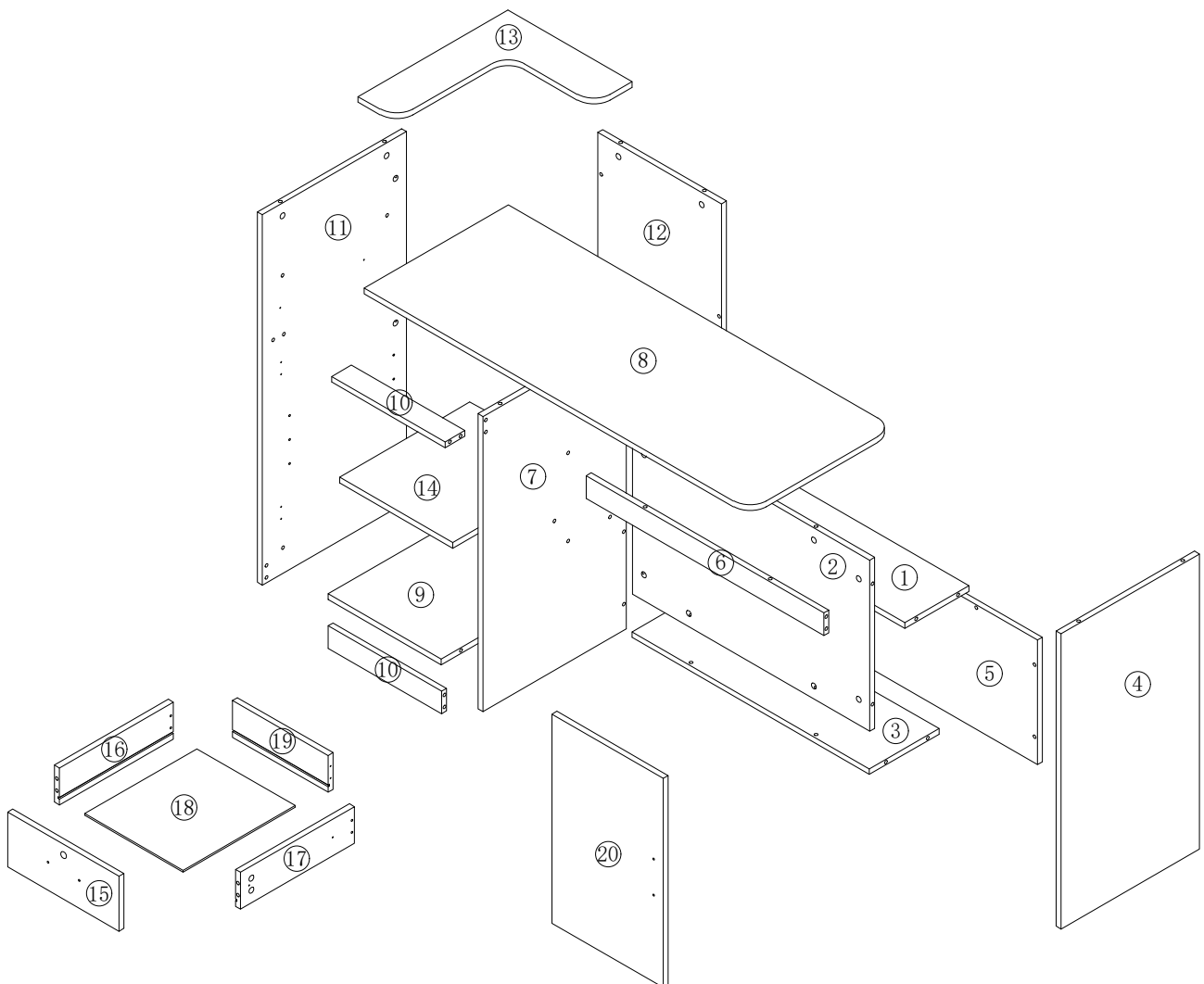
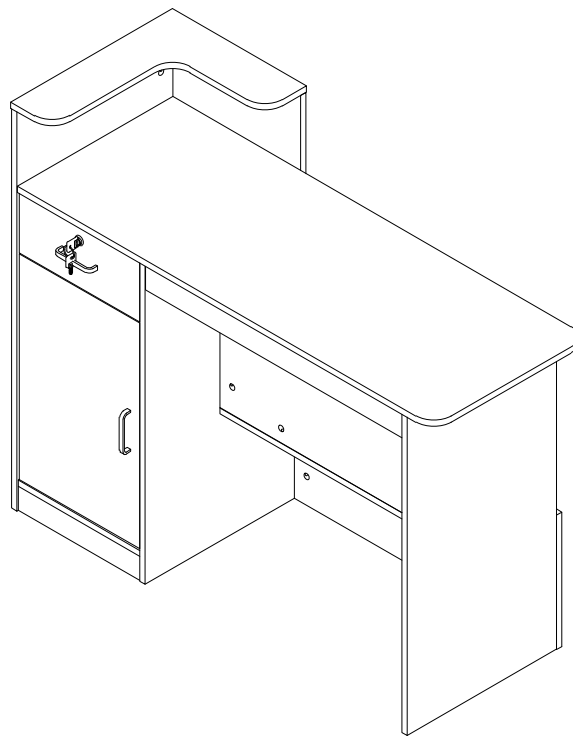
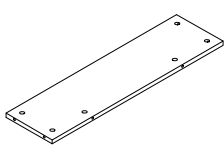
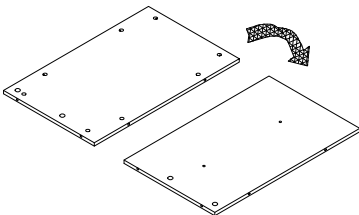
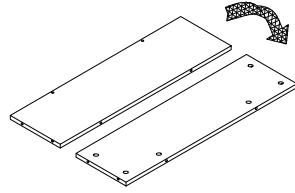
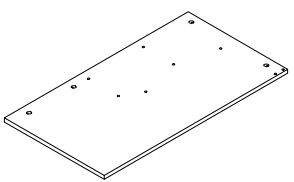
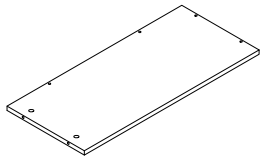
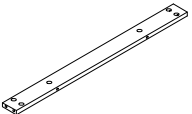
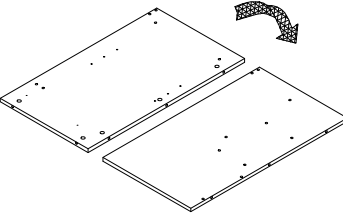
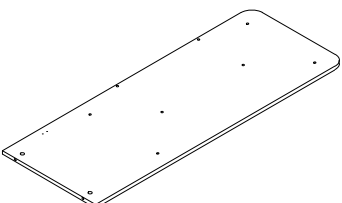
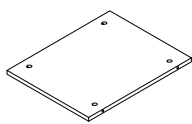
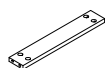
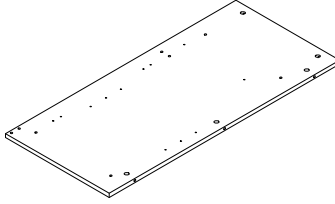
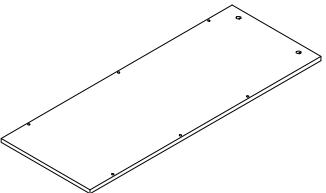
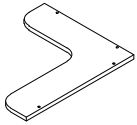
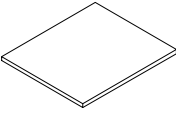
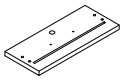
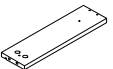
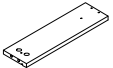
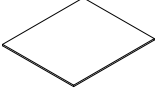

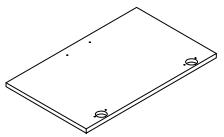


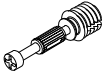








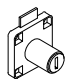

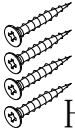
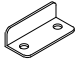

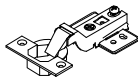

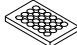


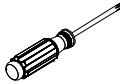
ASSEMBLY INSTRUCTION



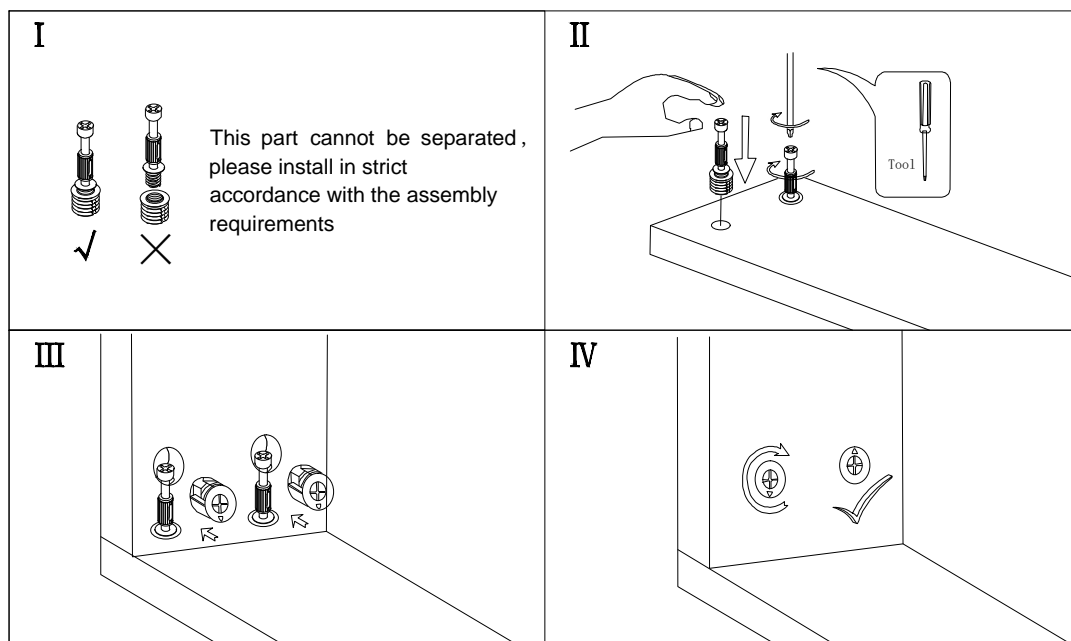
ASSEMBLY INSTRUCTION

<p>① 1PC</p> 	<p>② 1PC</p> 	<p>③ 1PC</p> 	<p>④ 1PC</p> 
<p>⑤ 1PC</p> 	<p>⑥ 1PC</p> 	<p>⑦ 1PC</p> 	<p>⑧ 1PC</p> 
<p>⑨ 1PC</p> 	<p>⑩ 2PCS</p> 	<p>⑪ 1PC</p> 	<p>⑫ 1PC</p> 
<p>⑬ 1PC</p> 	<p>⑭ 1PC</p> 	<p>⑮ 1PC</p> 	<p>⑯ 1PC</p> 
<p>⑰ 1PC</p> 	<p>⑱ 1PC</p> 	<p>⑲ 1PC</p> 	<p>⑳ 1PC</p> 

ASSEMBLY INSTRUCTION

<p>A 62PCS</p>  <p>M6*40</p>	<p>B 62PCS</p>  <p>Ø15*9.5</p>	<p>C 22PCS</p>  <p>Ø3.5*14</p>	<p>D 10PCS</p> 
<p>E 2sets</p>  <p>96#</p>  <p>M4*18</p>	<p>F 2PCS</p>  <p>14"</p>	<p>G 4PCS</p>  <p>Ø3.5*40</p>	<p>H 1set</p>  <p>H2</p>  <p>H1</p>  <p>H3</p>  <p>H4 Ø3.5*20</p>
<p>I 1PC</p>  <p>29*13*9</p>	<p>J 4PCS</p>  <p>Ø5*15</p>	<p>K 2PCS</p> 	<p>L 1set</p>  
<p>M 14PCS</p> 	<p>N 48PCS</p> 		

"A" Hardware installation example



ASSEMBLY INSTRUCTION

Step 1

A 62PCS



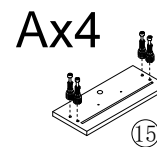
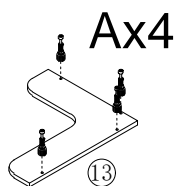
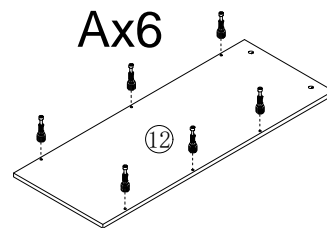
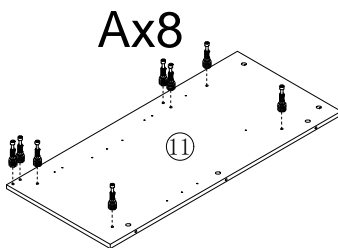
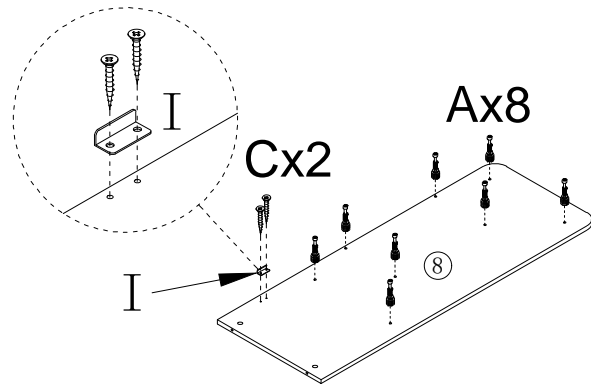
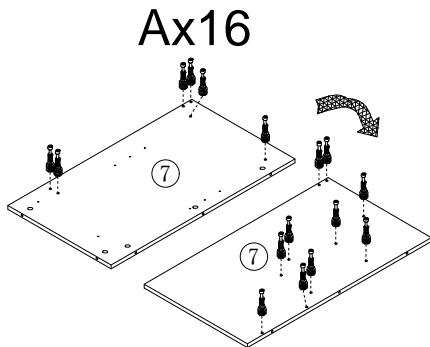
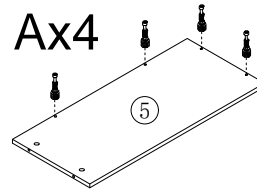
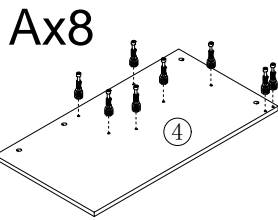
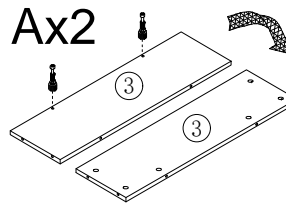
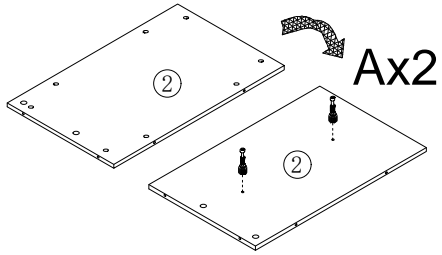
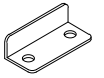
M6*40

C 2PCS



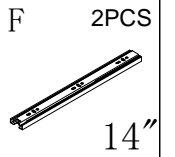
Ø3.5*14

I 1PC

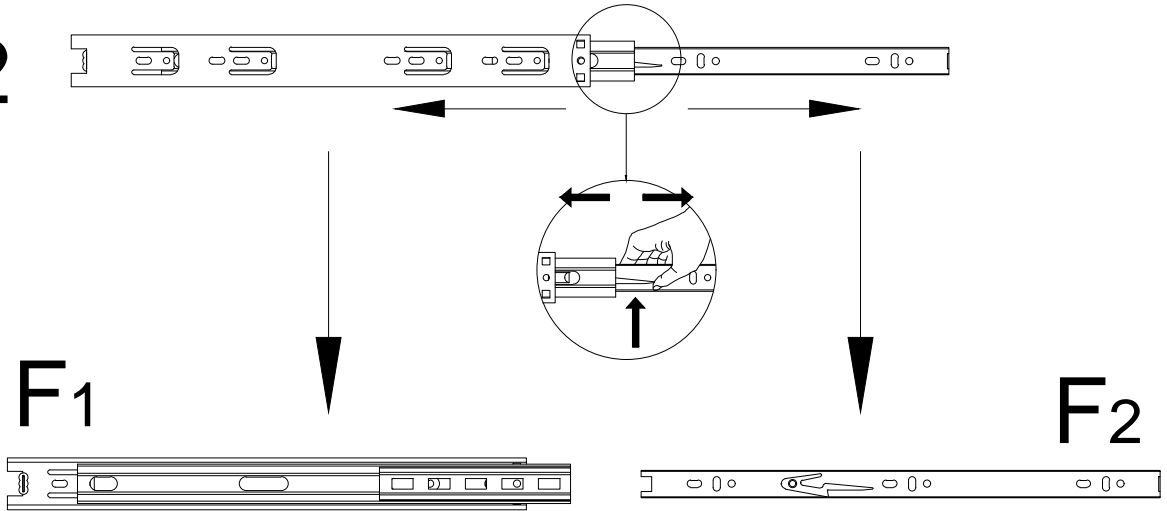


ASSEMBLY INSTRUCTION

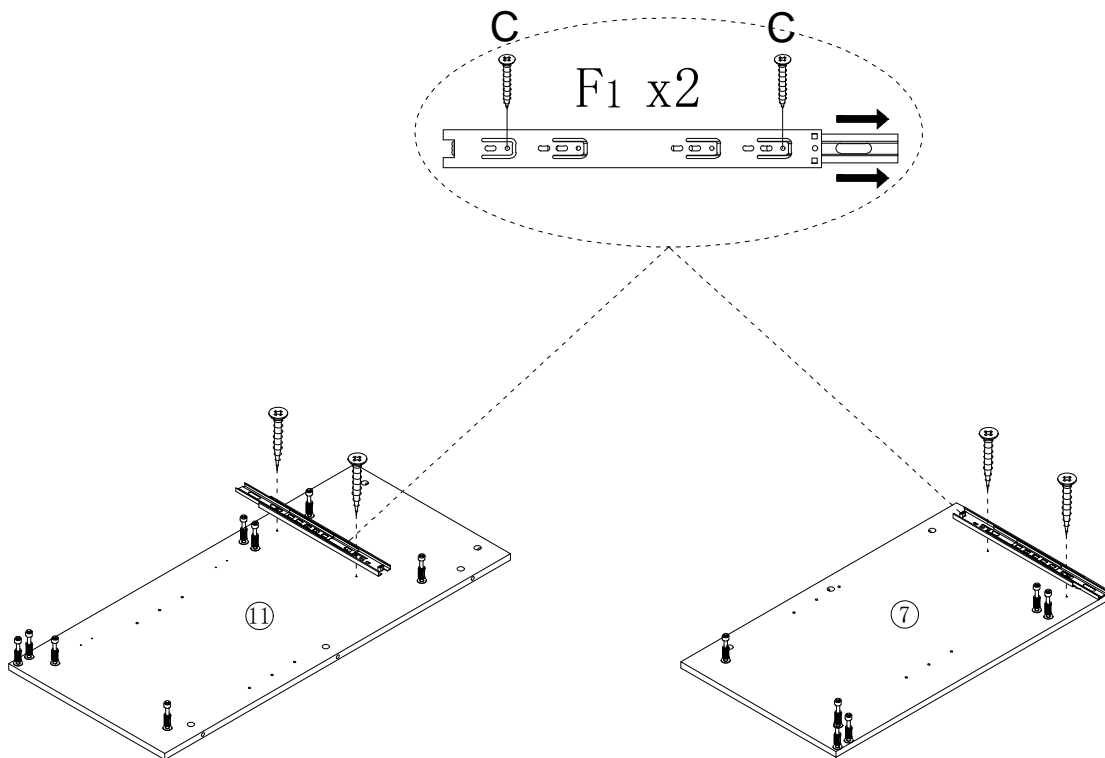
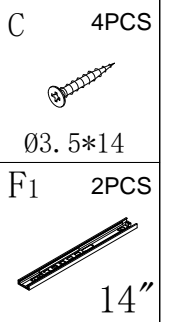
Step 2



Fx2




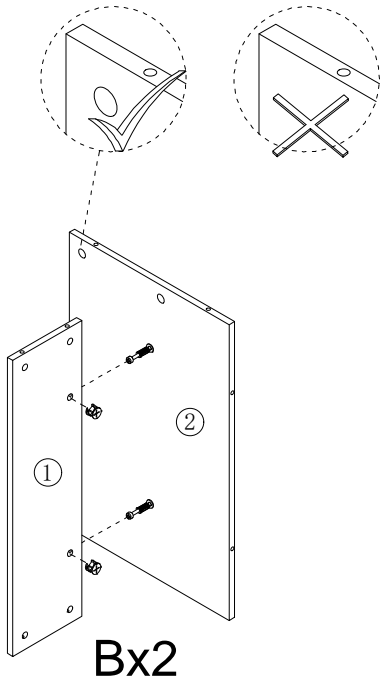
Step 3




ASSEMBLY INSTRUCTION

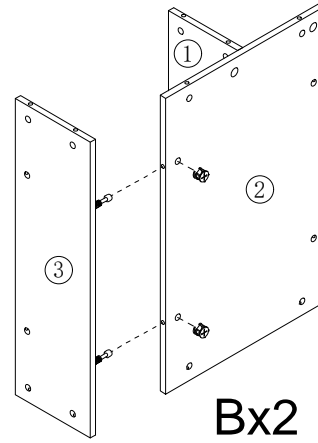
Step 4

B 2PCS

Ø15*9.5




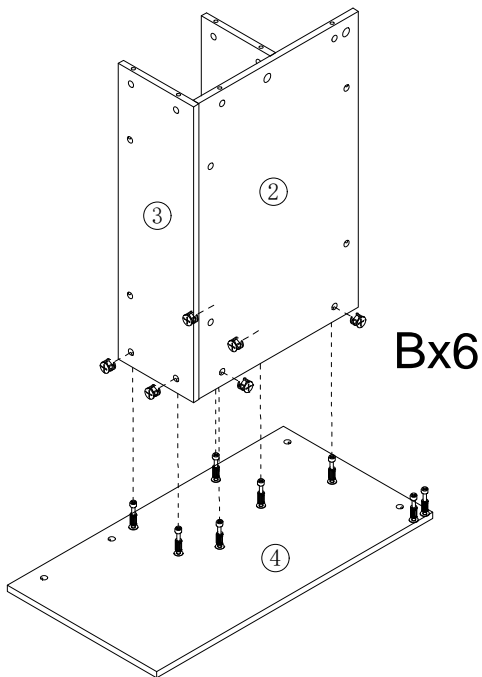
Step 5

B 2PCS

Ø15*9.5




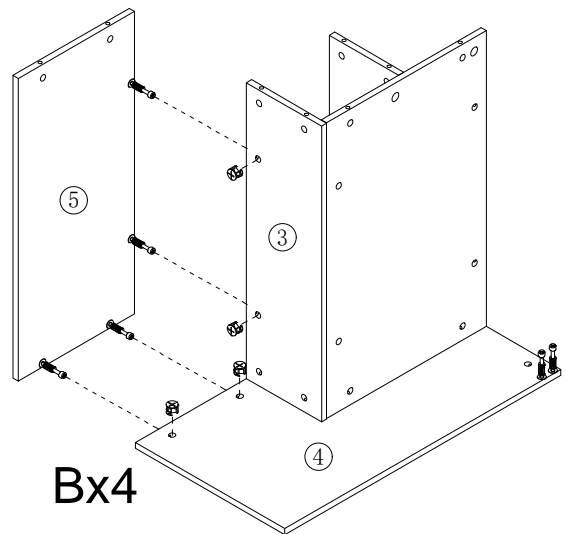
Step 6

B 6PCS

Ø15*9.5



Step 7

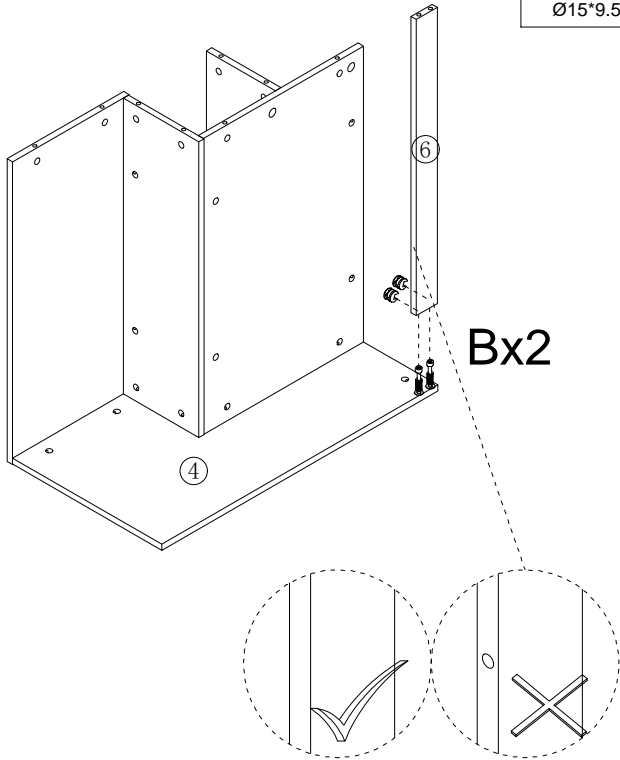
B 4PCS

Ø15*9.5



ASSEMBLY INSTRUCTION

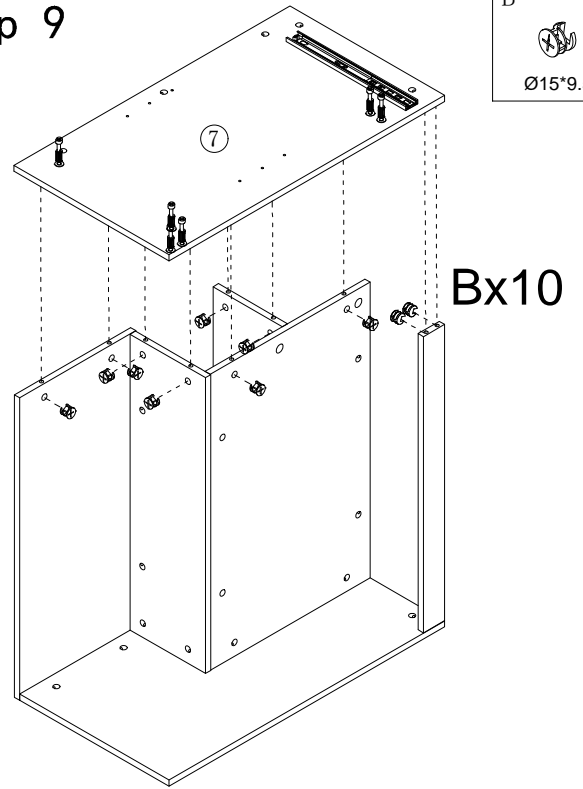
Step 8

B 2PCS
Ø15*9.5



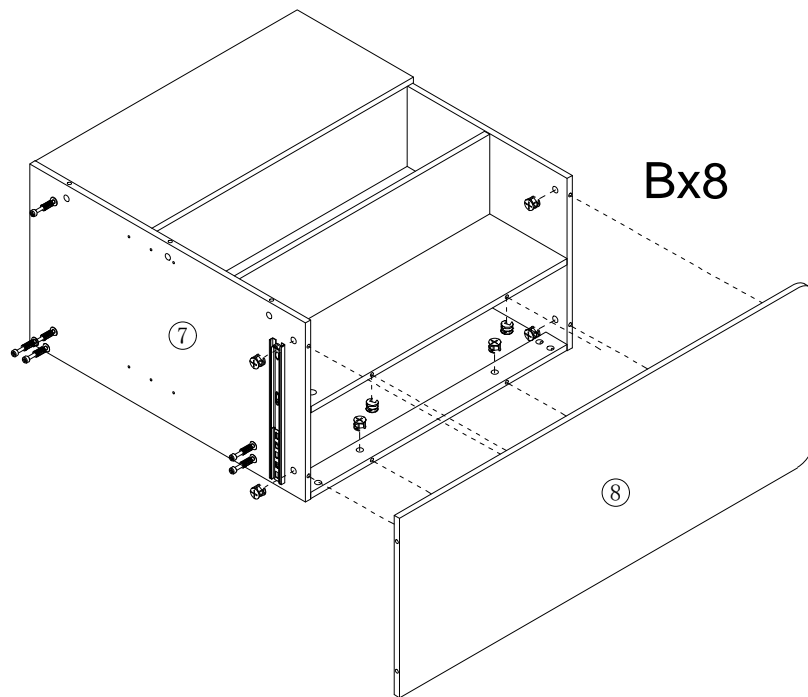
Step 9

B 10PCS
Ø15*9.5




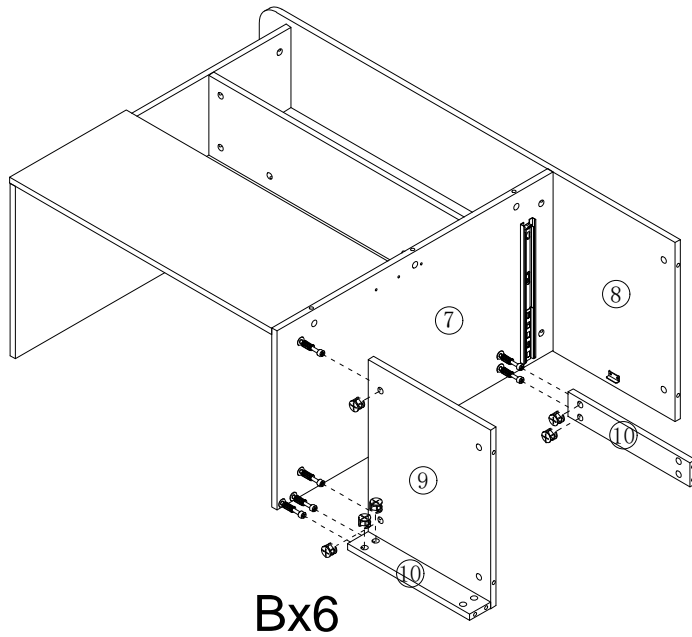
Step 10

B 8PCS
Ø15*9.5




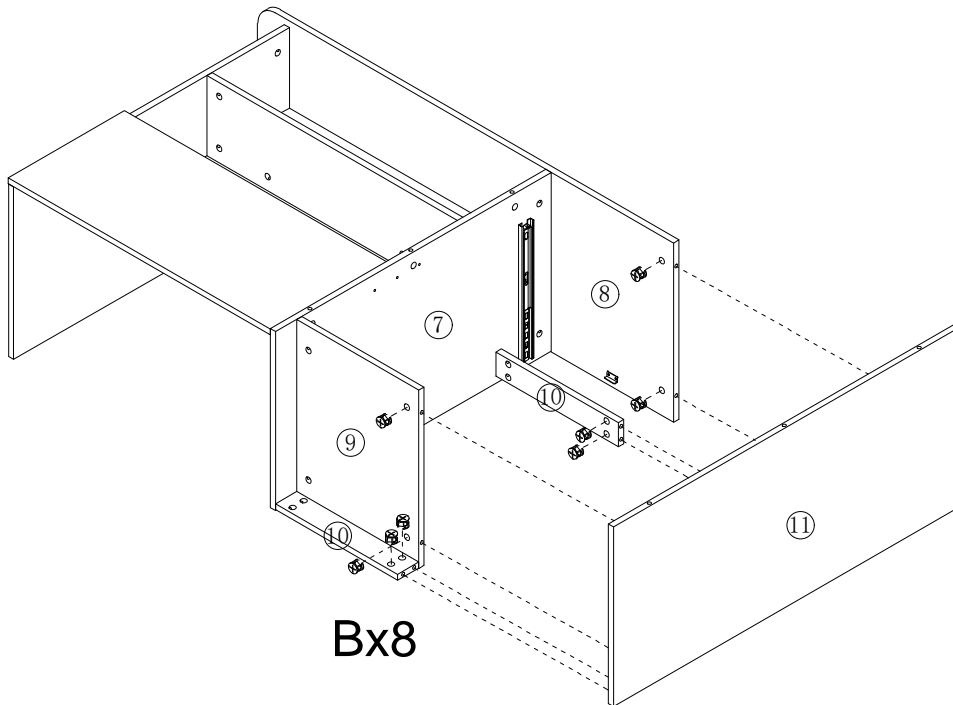
Step 11

B 6PCS

Ø15*9.5




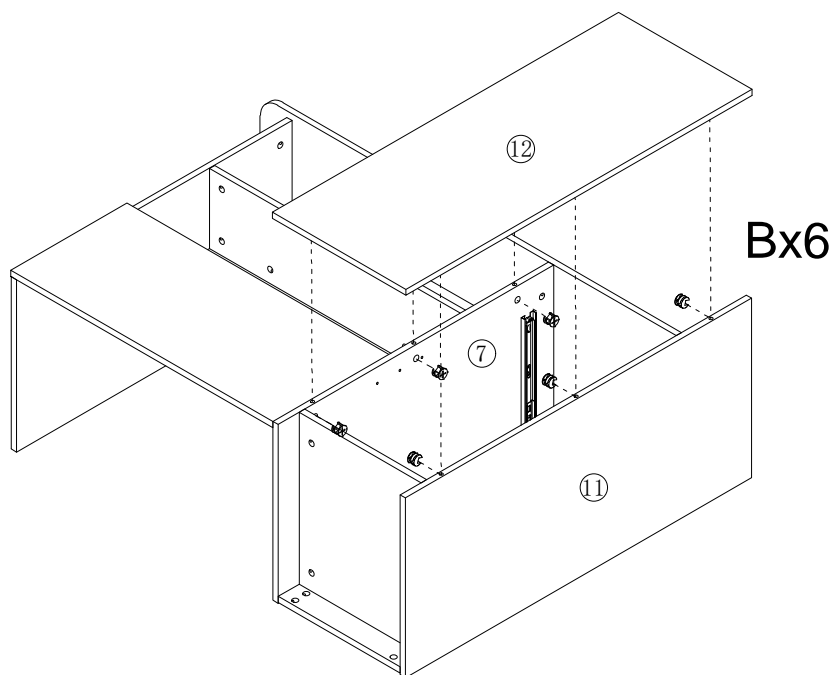
Step 12

B 8PCS

Ø15*9.5




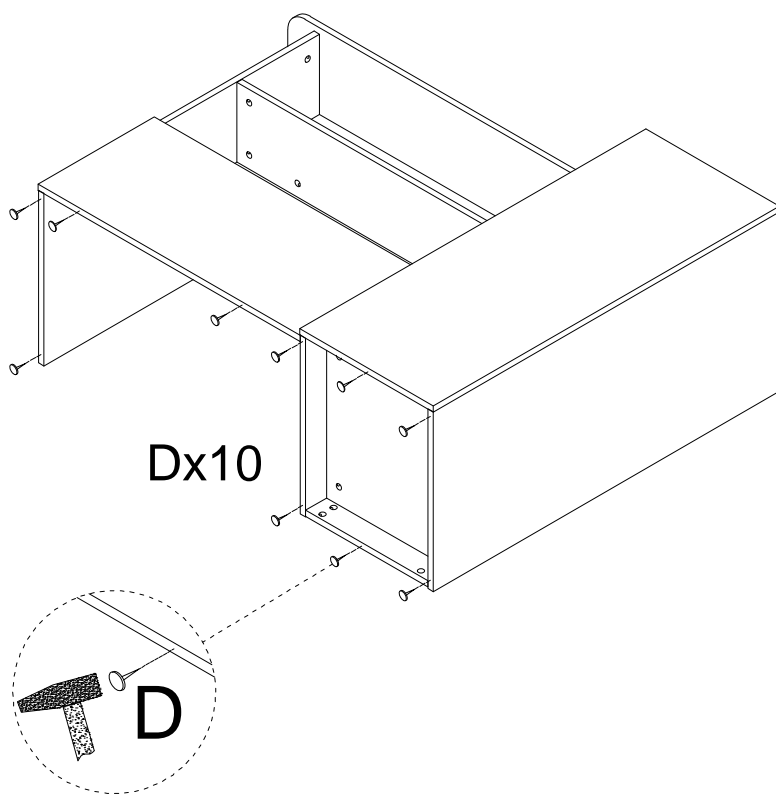
Step 13

B 6PCS

Ø15*9.5




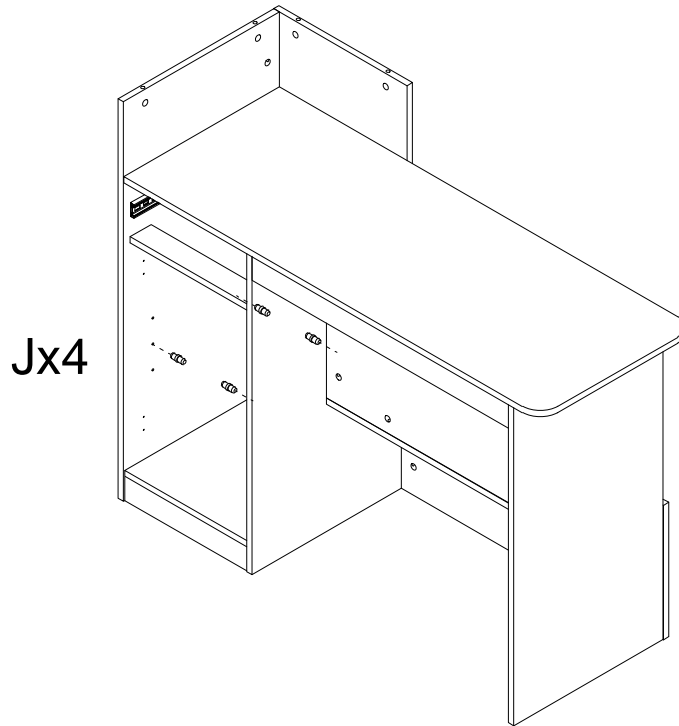
Step 14

D 10PCS





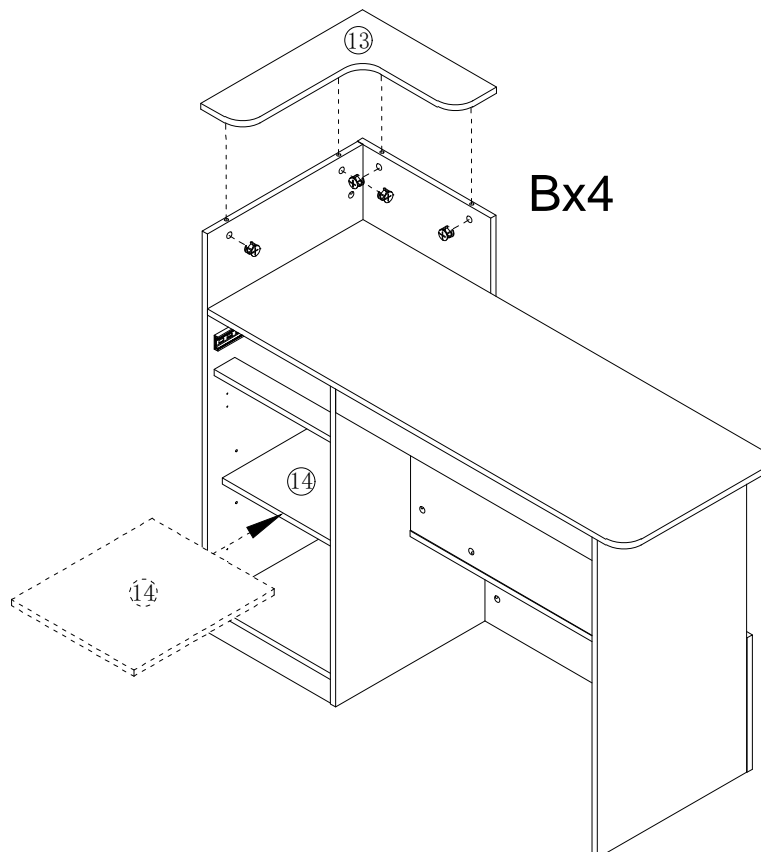
Step 15

J 4PCS

Ø5*15













Step 16

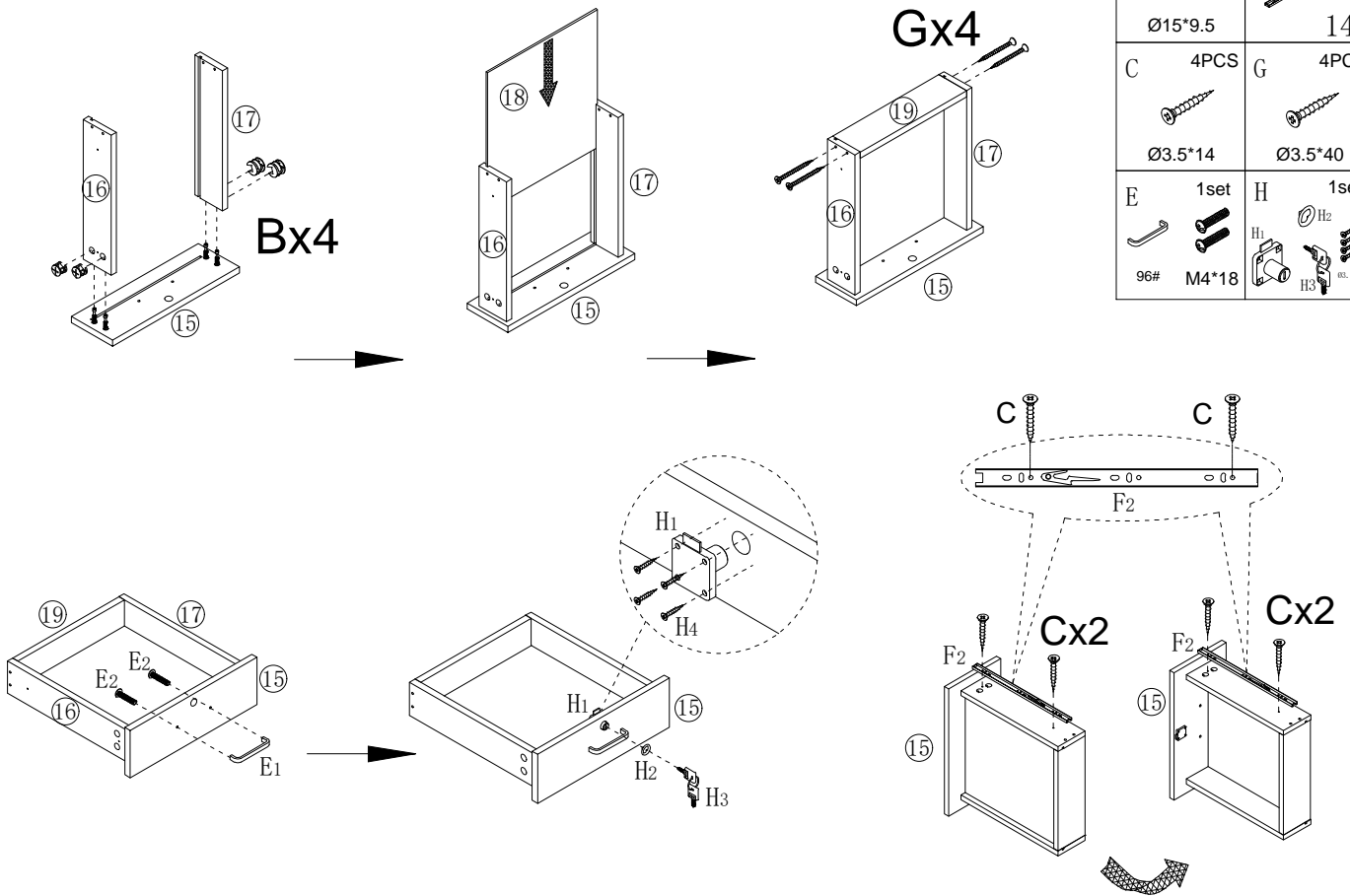
B 4PCS

Ø15*9.5



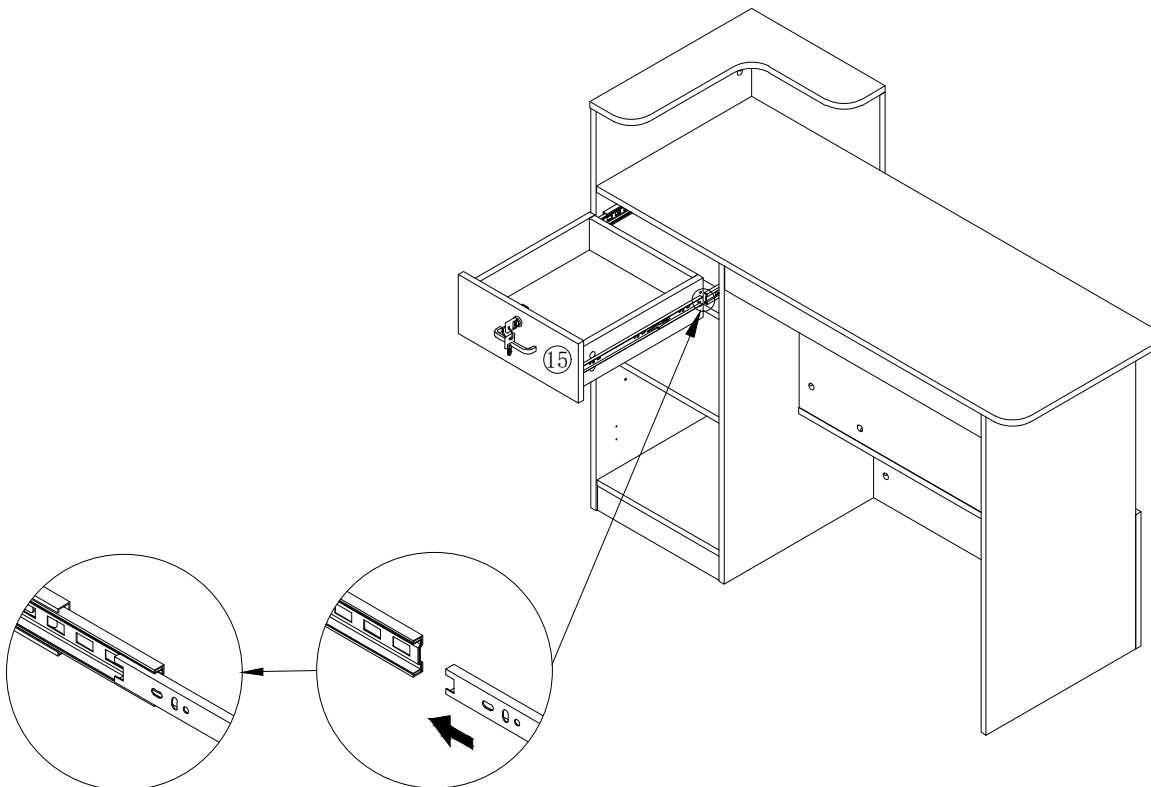
ASSEMBLY INSTRUCTION

Step 17

B	4PCS	F ₂	2PCS
			
	Ø15*9.5	14"	
C	4PCS	G	4PCS
			
	Ø3.5*14	Ø3.5*40	
E	1set	H	1set
			
	96#	M4*18	
			
			

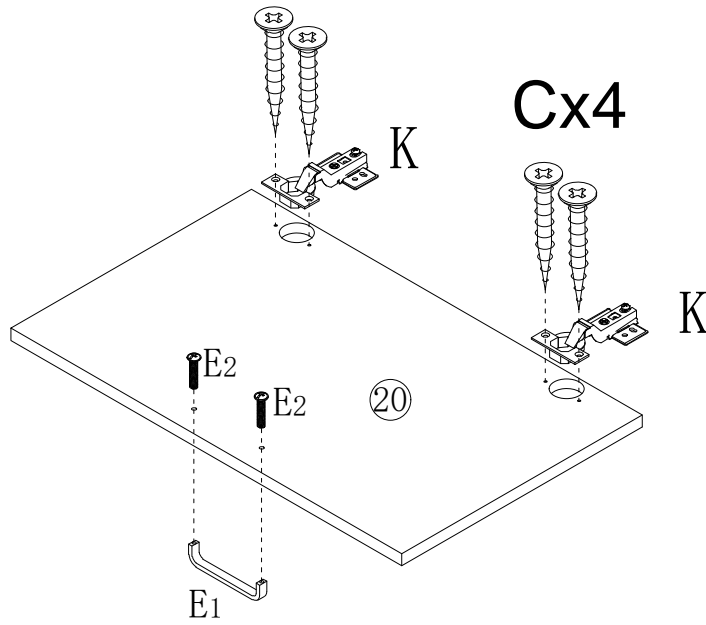





Step 18



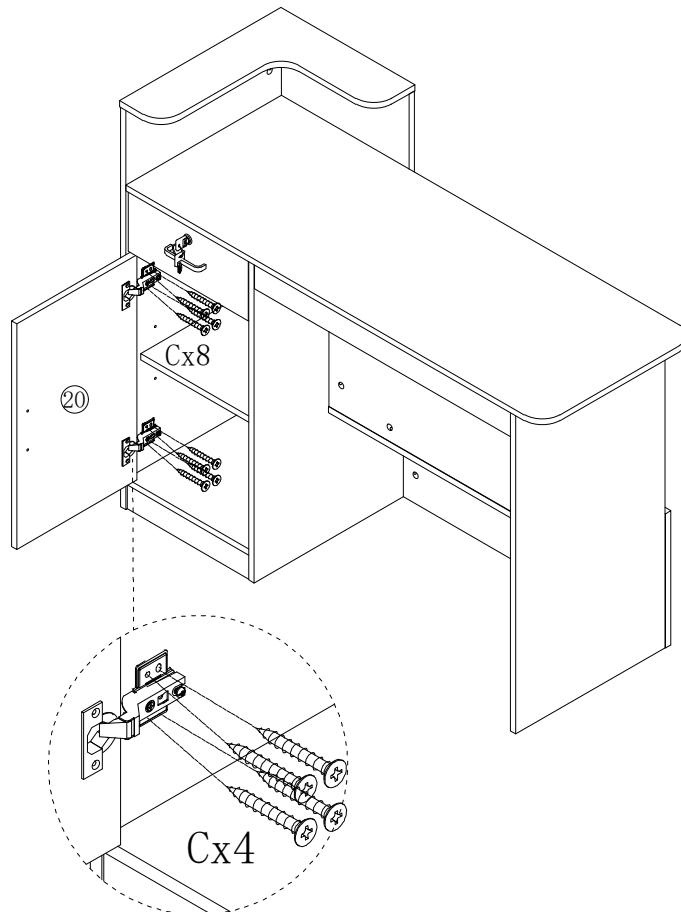
ASSEMBLY INSTRUCTION


Step 19



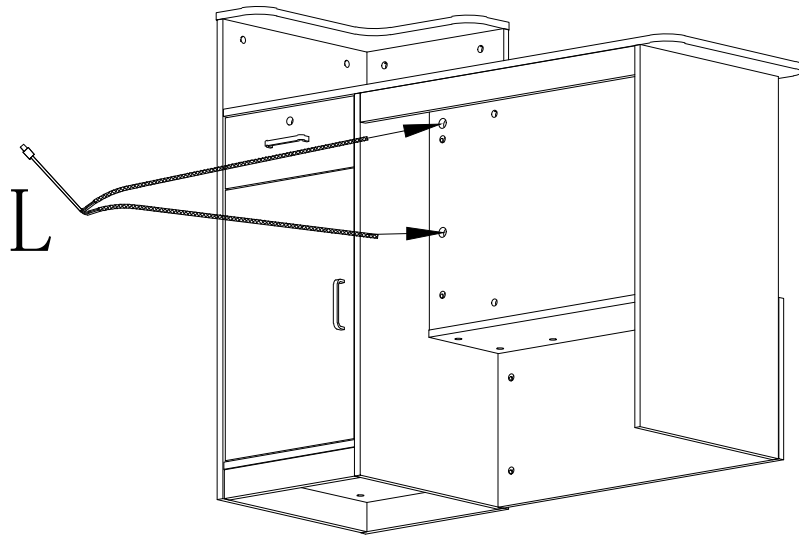
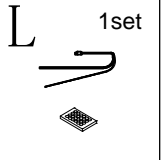
C	4PCS
	
Ø3.5*14	
E	1set
	
96#	M4*18
K	2PCS
	

Step 20

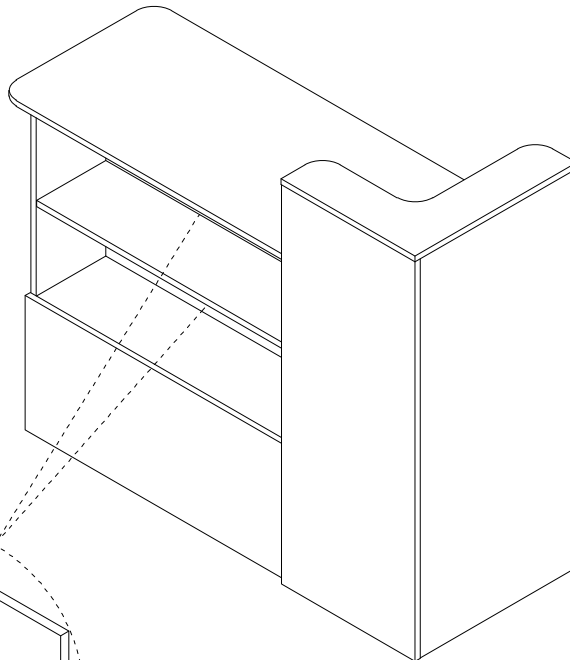
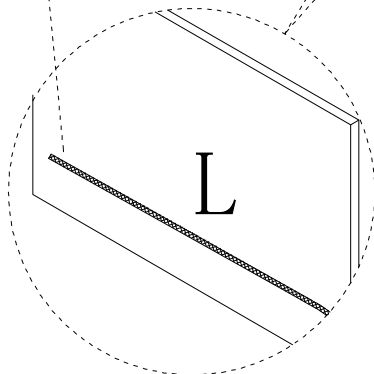
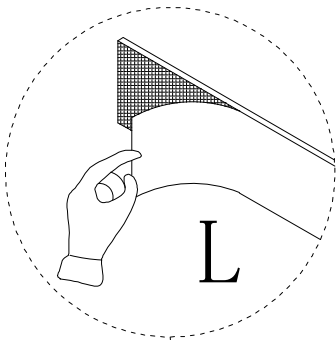


C	8PCS
	
Ø3.5*14	

Step 21



Before installing the LED strip Peel off the blue sticker on the back of the LED strip.



OK