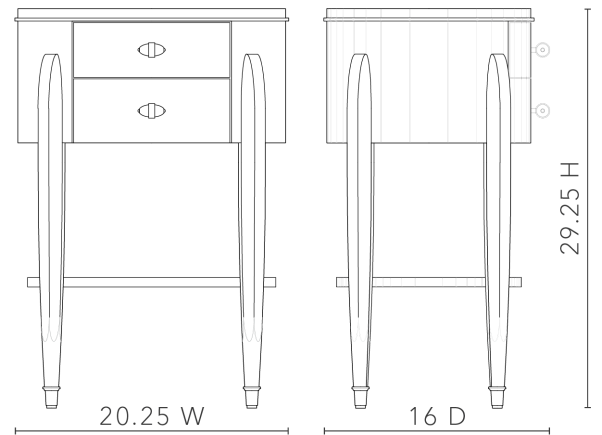




Natalie 2-Drawer End Table, Dusky Ocean

NTL-120-218-804

- 20.25W x 16D x 29.25H
- Clear Lacquered Stained Sycamore Wood and Veneers
- Burnished Bronze Finished Cast Metal
- Finished Back, Soft Close Undermount Glides



VILLA & HOUSE