

Features

- Catalyzed conversion varnish provides a durable moisture-resistant finish.
- Two doors and six drawers.
- Split top drawer feature adds two hidden, shallow drawers for additional storage without compromising the look of the cabinet face.
- Frameless construction with full-overlay doors and drawers.
- Three-way adjustable slow-close door hinges with 110° opening capability for easy cabinet access.
- Full-extension 18" depth drawers with soft-close undermount slides for smooth opening.
- Solid wood drawers with dovetail construction.
- Toe kick covers blemished or inconsistent flooring.
- Coordinates with the K-99687 Poplin / Marabou rectangular pull (sold separately).
- Combines with Ceramic/Impressions®, Solid/Expressions®, and Iron/Impressions® vanity tops (sold separately) for a complete vanity.
- Customize your storage with optional accessories such as shelves, trays, drawer dividers, and medicine cabinets (sold separately).

Material

- Solid wood and veneers.
- Wood is a living material, and its beauty is enhanced by natural variations in grain, color, and pattern. No two pieces of wood are exactly the same, and the color will change with age, temperature, and exposure to light.
- The nature of wood grain can cause variations in stain depth. Our expert craftspeople hand-apply the stain to blend these variations.

Recommended Products/Accessories

K-5458 49" vanity-top w/single Verticyl® rectangular cutout
K-5424 49" vanity-top w/single Verticyl® oval cutout
K-5439 Bathroom Vanity Top
K-99686 Knob
K-99689 3" drawer pull
K-2783-1 Vitreous Top and Basin Bathroom Sink
K-23736 Furniture polish

Optional Products/Accessories

K-99665 Framed Mirror
K-99681 Electrical outlets for KOHLER Tailored® vanities
K-99682 General storage package for KOHLER Tailored® vanities
K-99683 Makeup storage package for KOHLER Tailored® vanities
K-99684 Drawer divider package for KOHLER Tailored® vanities



Codes/Standards


EPA TSCA Title VI
CARB P2

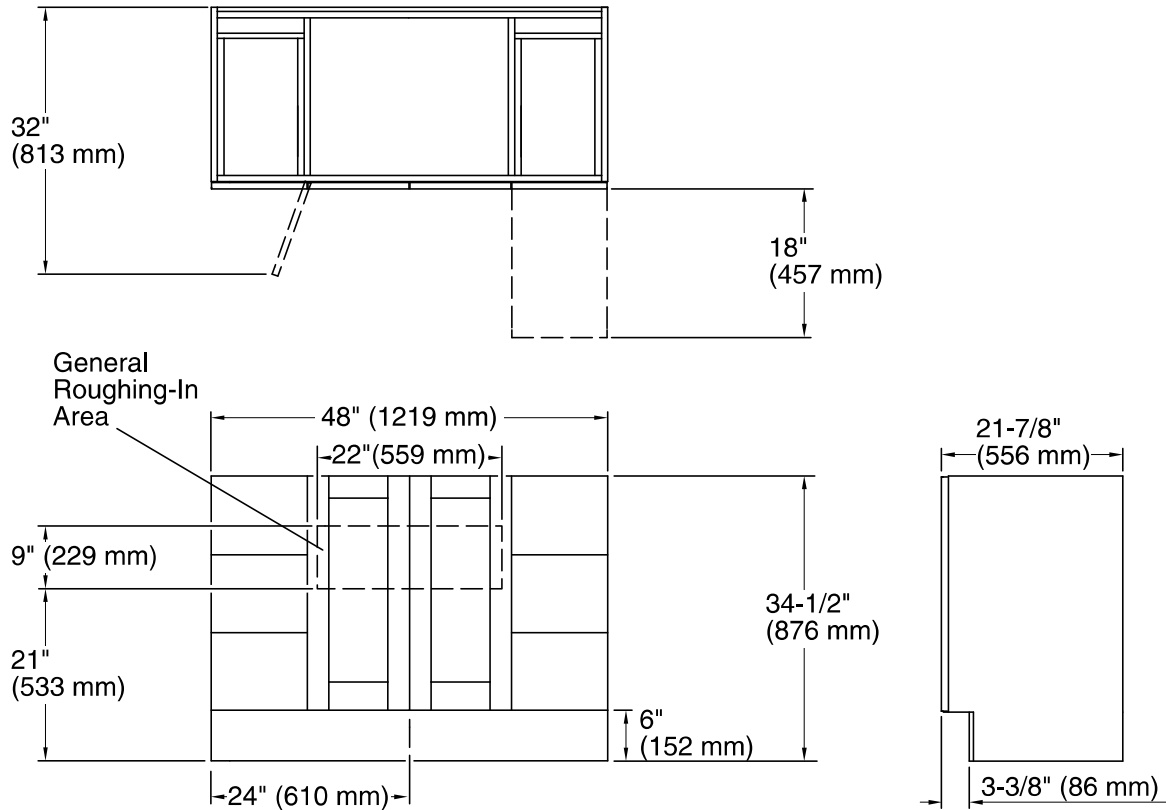
KOHLER® One-Year Limited Warranty

See website for detailed warranty information.

Available Colors/Finishes

Color tiles intended for reference only.

Color	Code	Description
	1WH	Woolen Oak



Technical Information

All product dimensions are nominal.

Vanity type: Standard

Notes

Install this product according to the installation guide.

Decorative cabinet hardware is not supplied. Refer to the KOHLER bath accessories line for recommended cabinet hardware to complement your vanity.

Select the type of fastener based upon the wall material. Two 250 lb (113.4 kg) minimum load bearing fasteners are recommended.