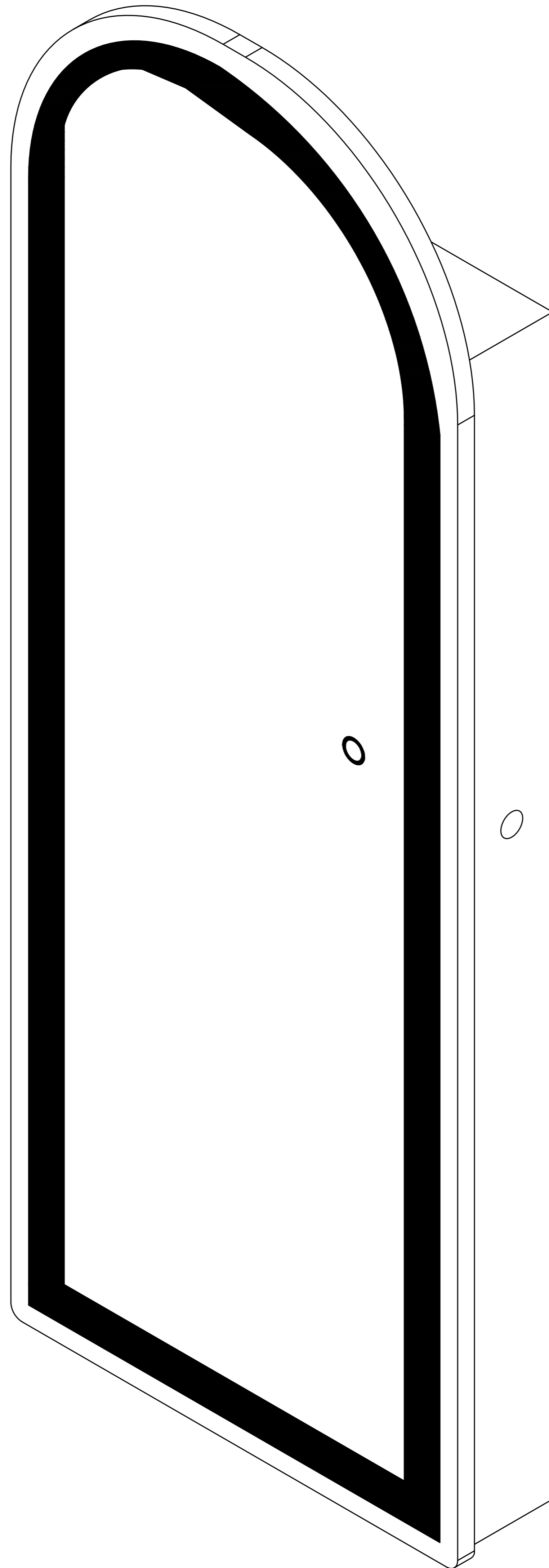
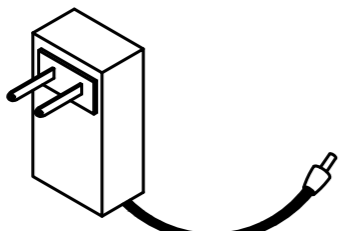
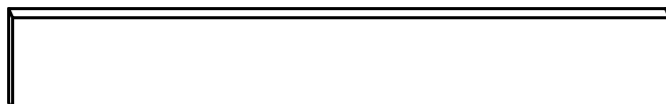
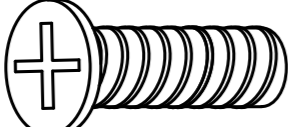
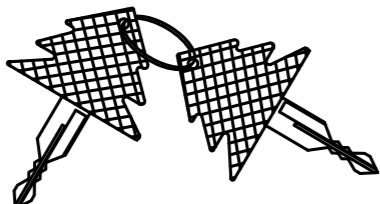
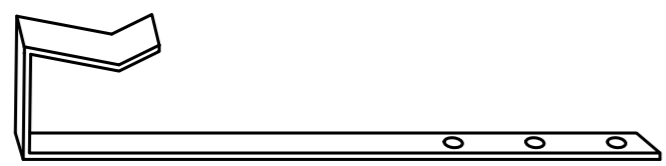
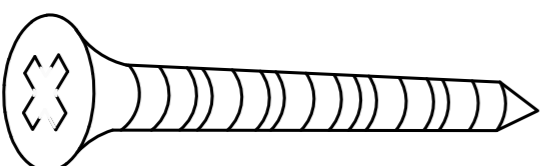
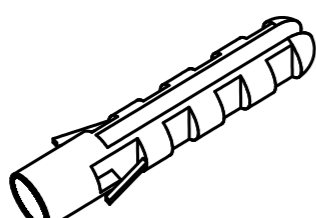
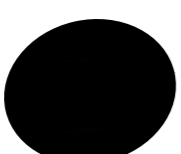
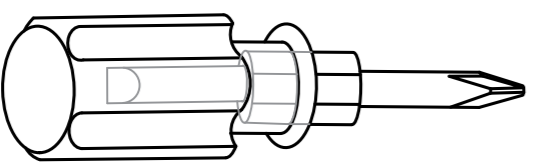
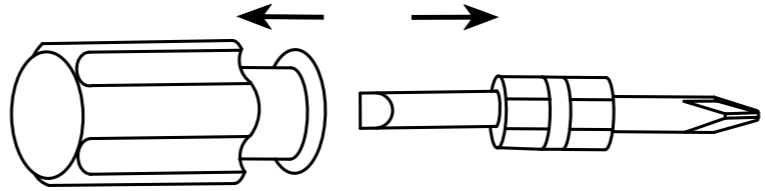


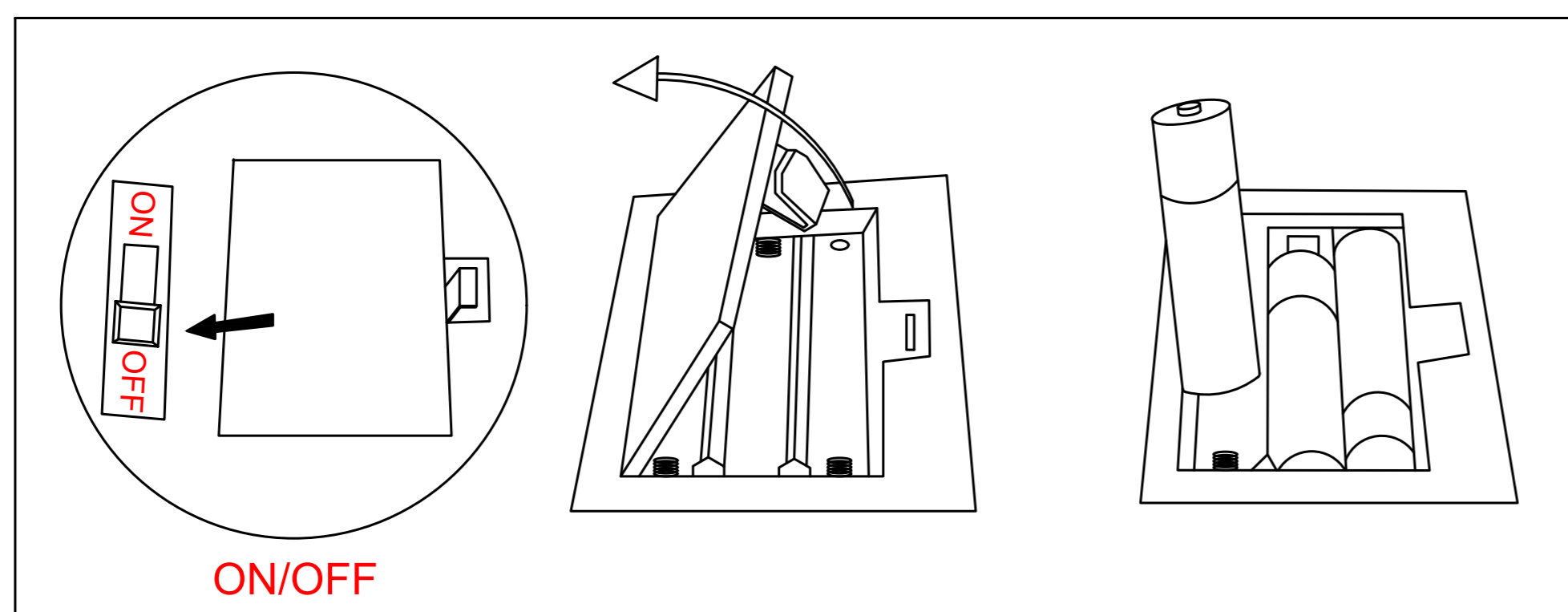
MIRROR JEWELLERY CABINET



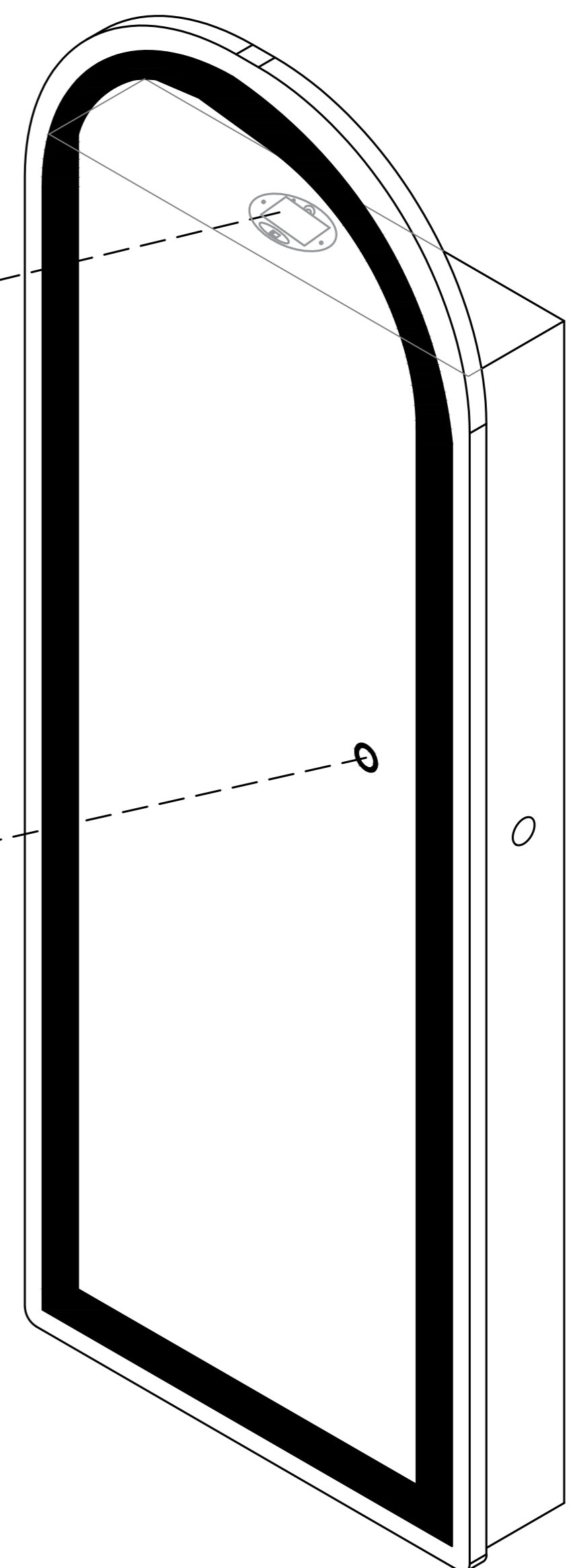
A		The power adapter(12V 3A)	1 Pcs
B		Adhesive Velcro	1 Pcs
C		Short Screw(6*12mm)	4 Pcs
D		The key	1 Pcs
E		Hook	2 Pcs
F		Long Screw(4x45mm)	2 Pcs
G		Wall Anchors	2 Pcs
H		Sponge gasket	4 Pcs
		 Double-head screwdriver, use as required	1 Pcs

Battery installation

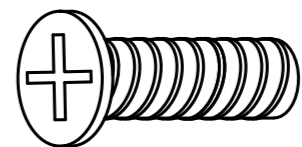

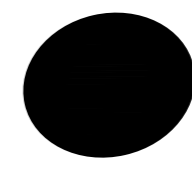
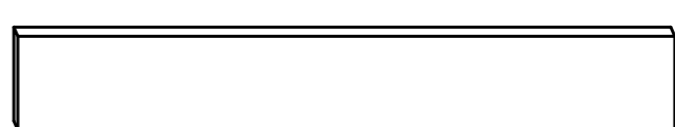
(Tip: use 3 AAA Batteries)

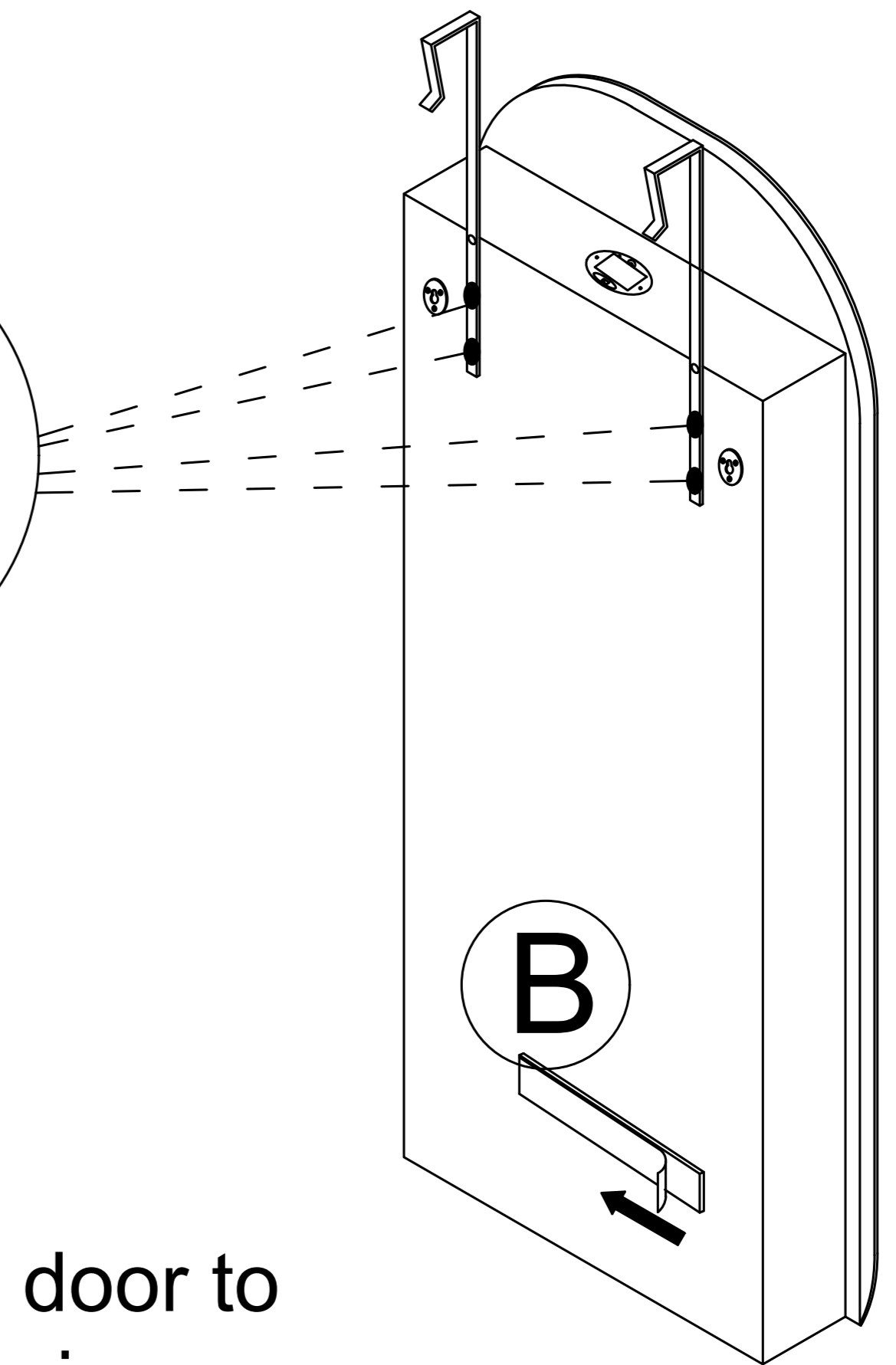
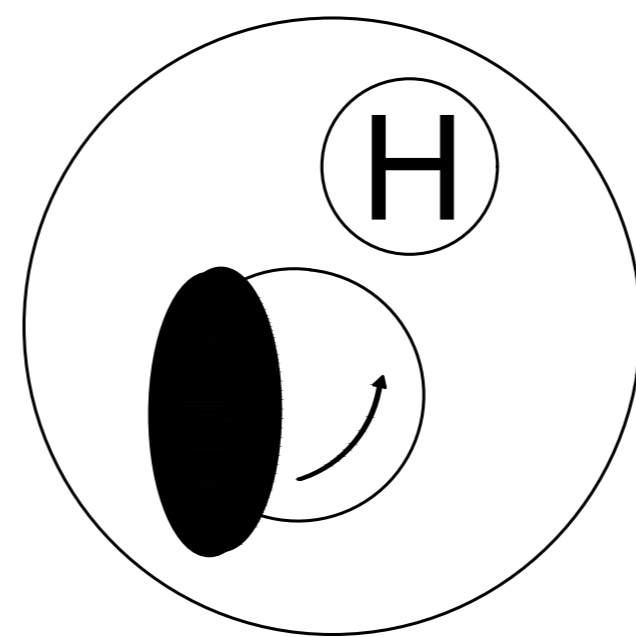
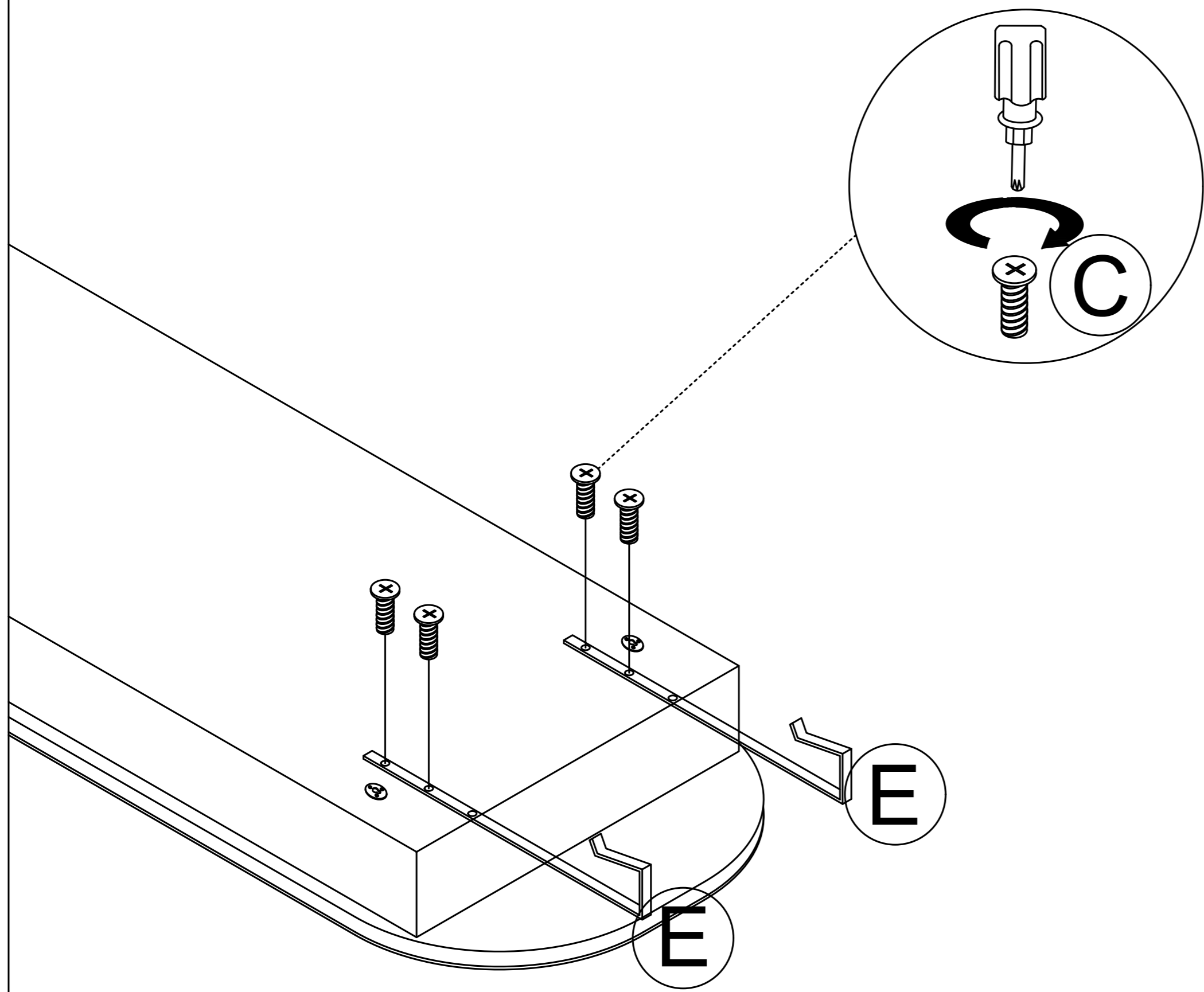


In the light-off state, long press the indicator button to turn off the indicator light.

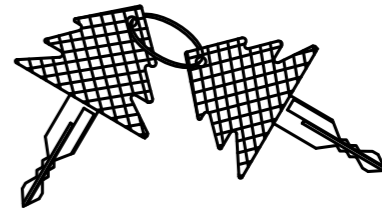
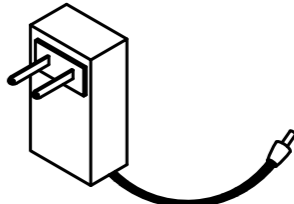


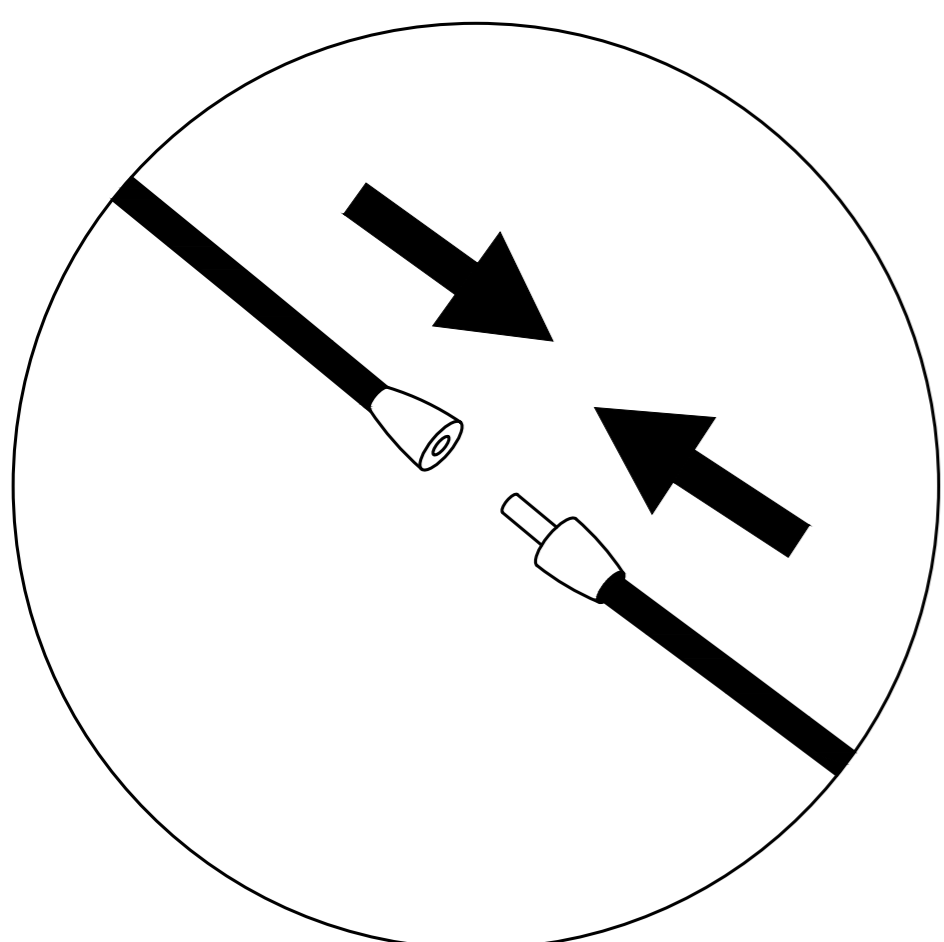
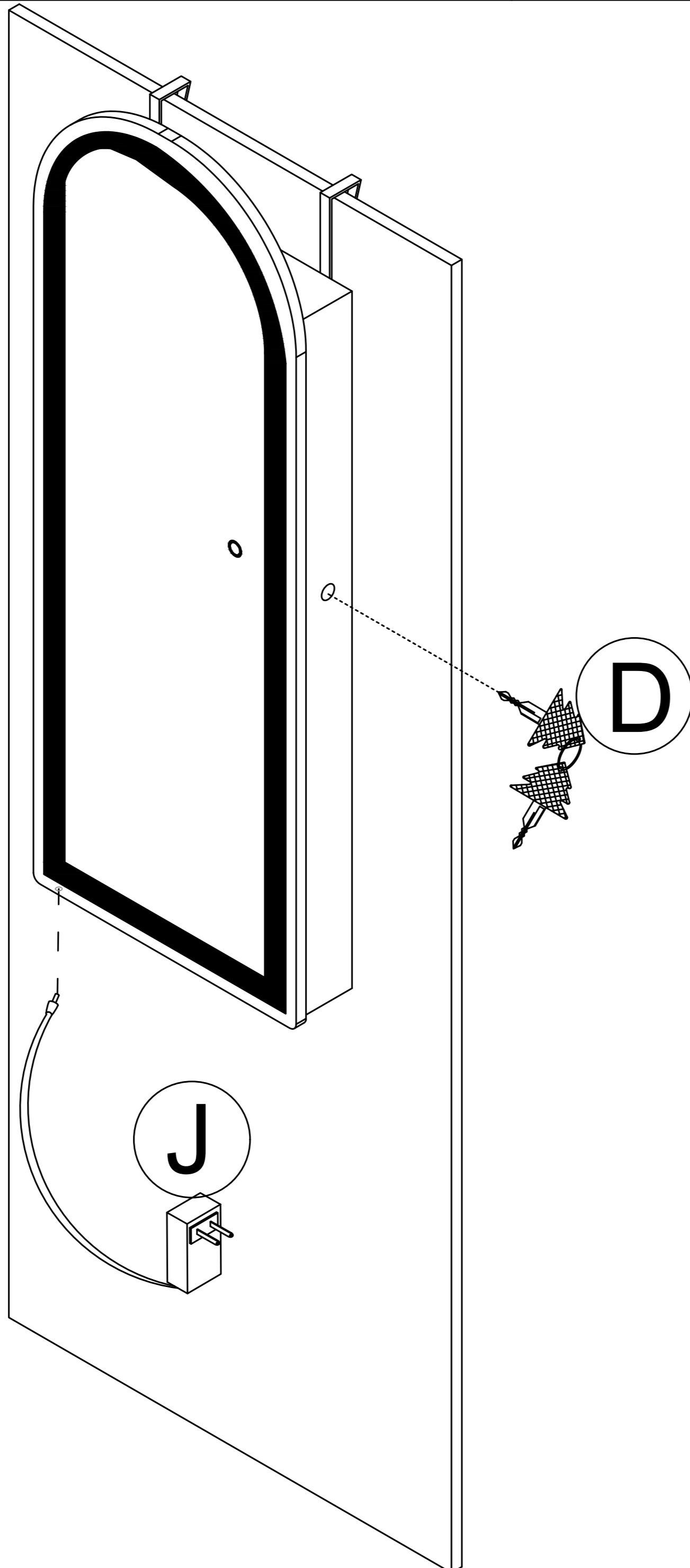
Over The Door

C		x 4
E		x 2
H		x 4
B		x 1



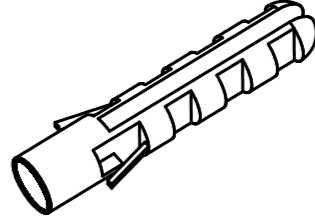
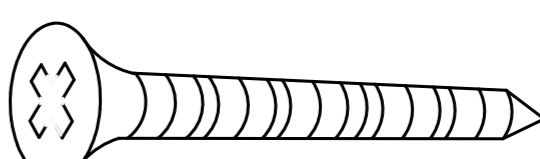
Fixed to the door to prevent swaying.

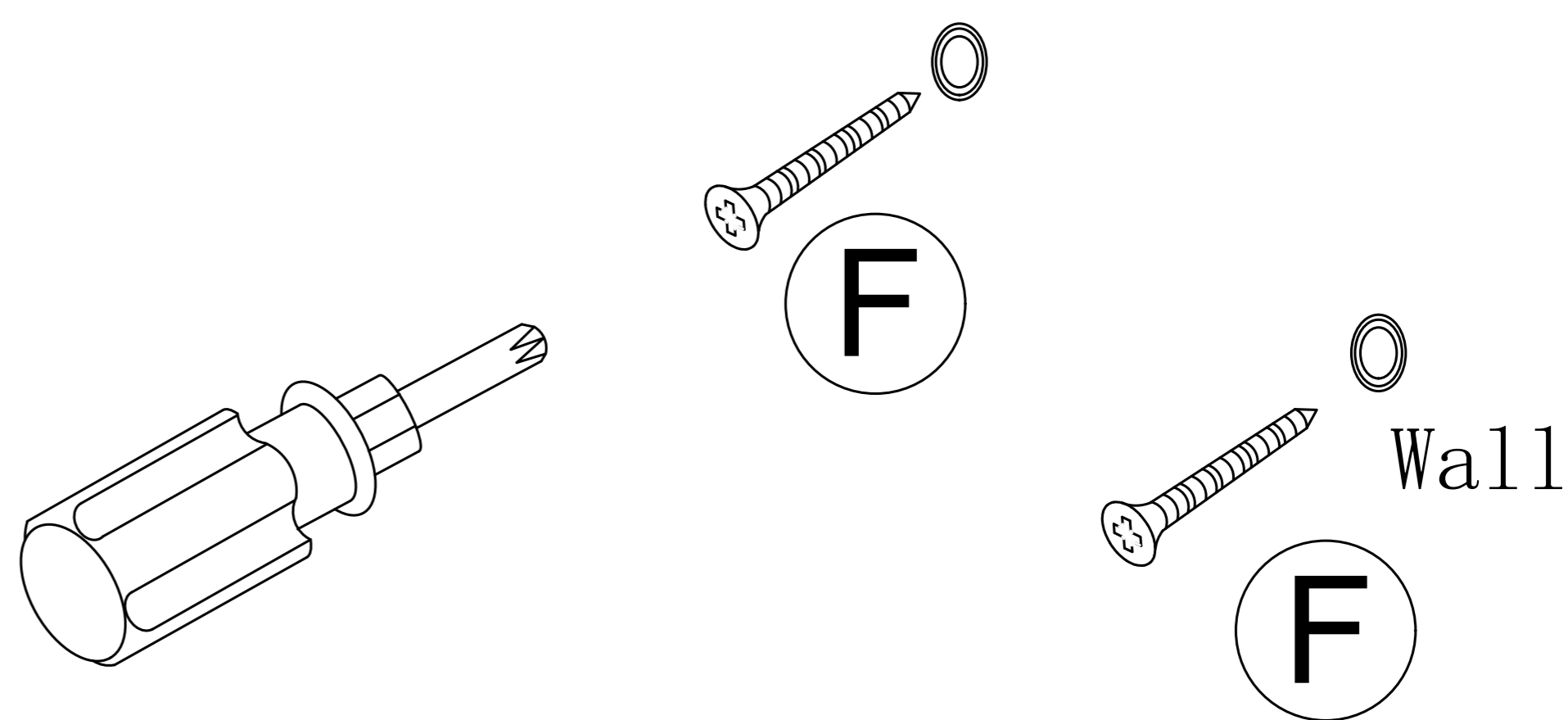
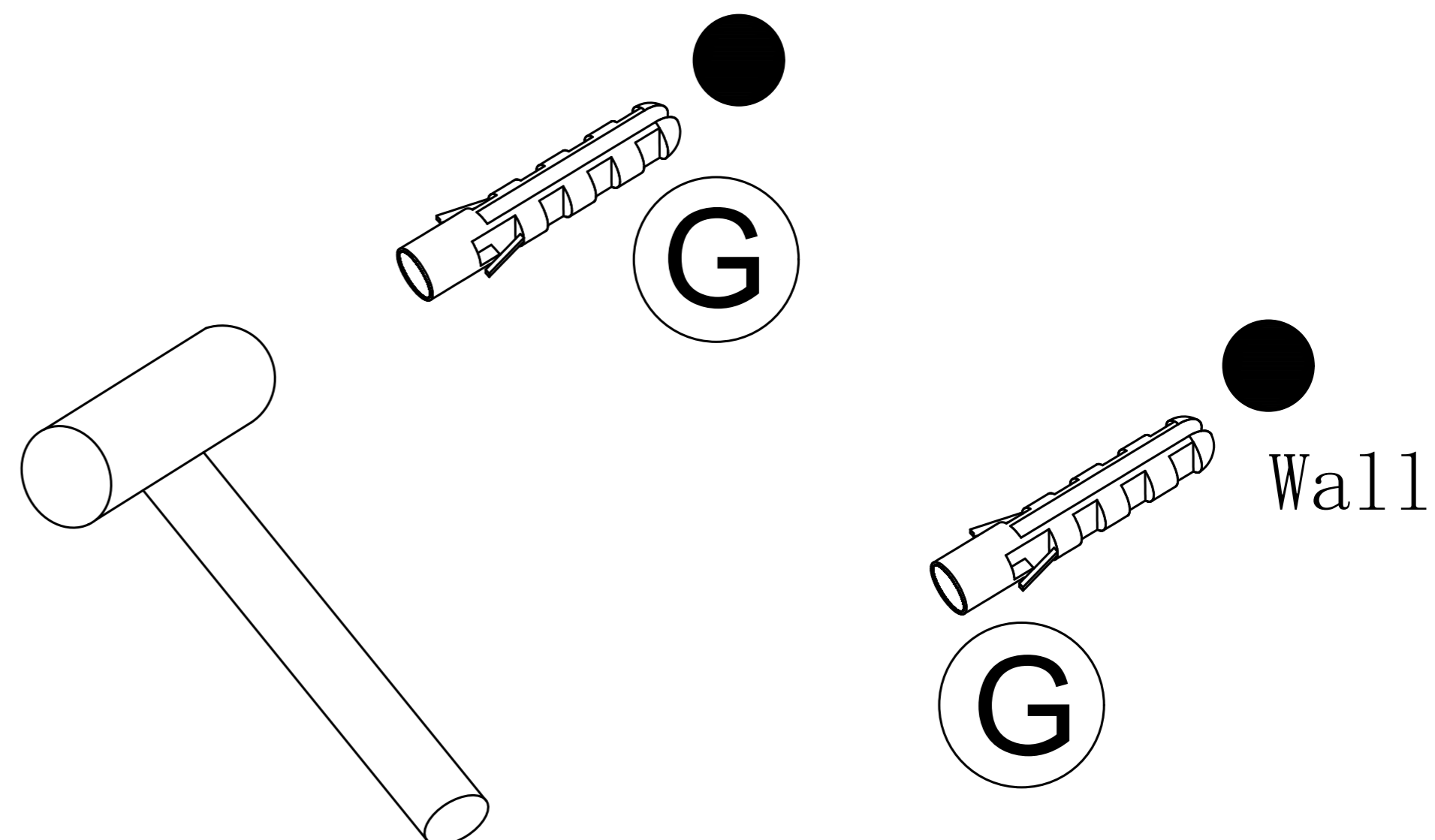
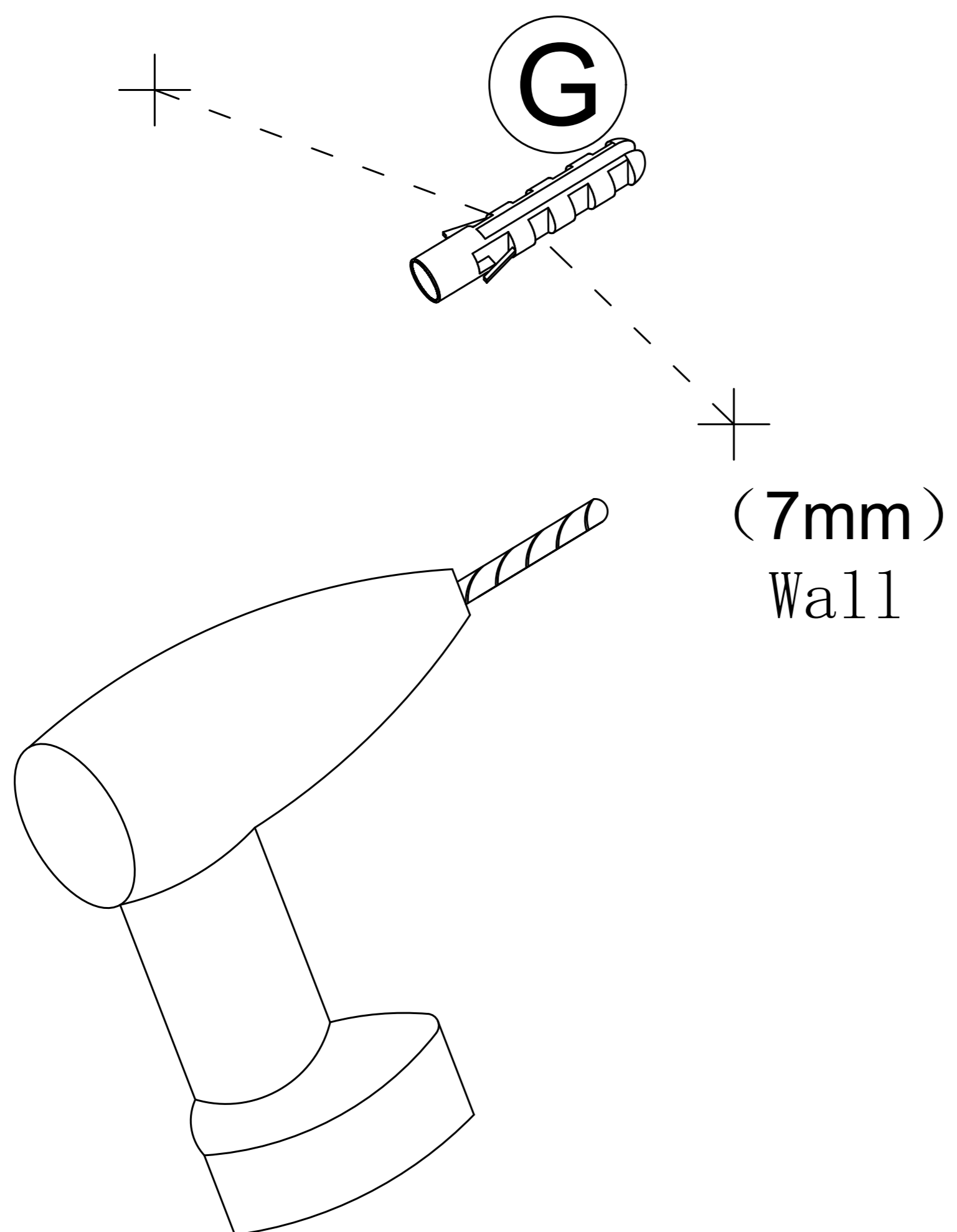
D		x 1
J		x 1

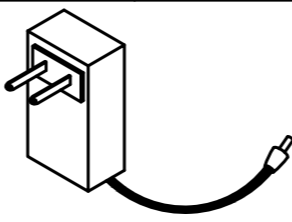
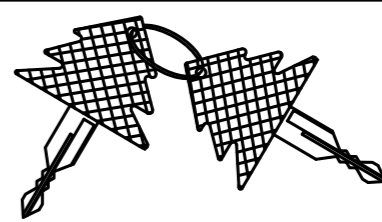
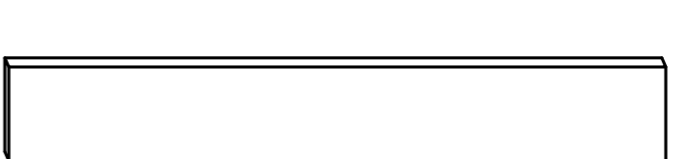


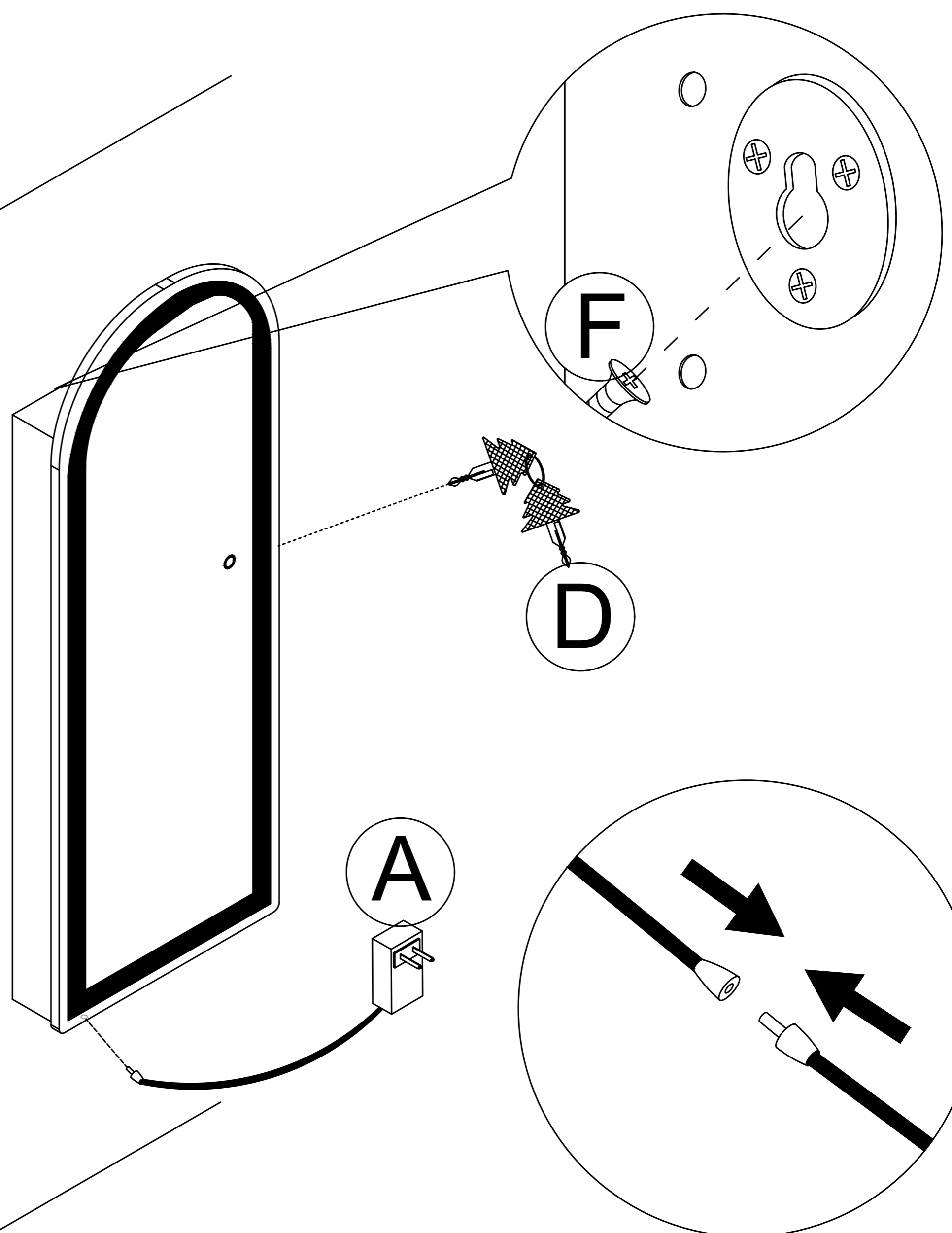
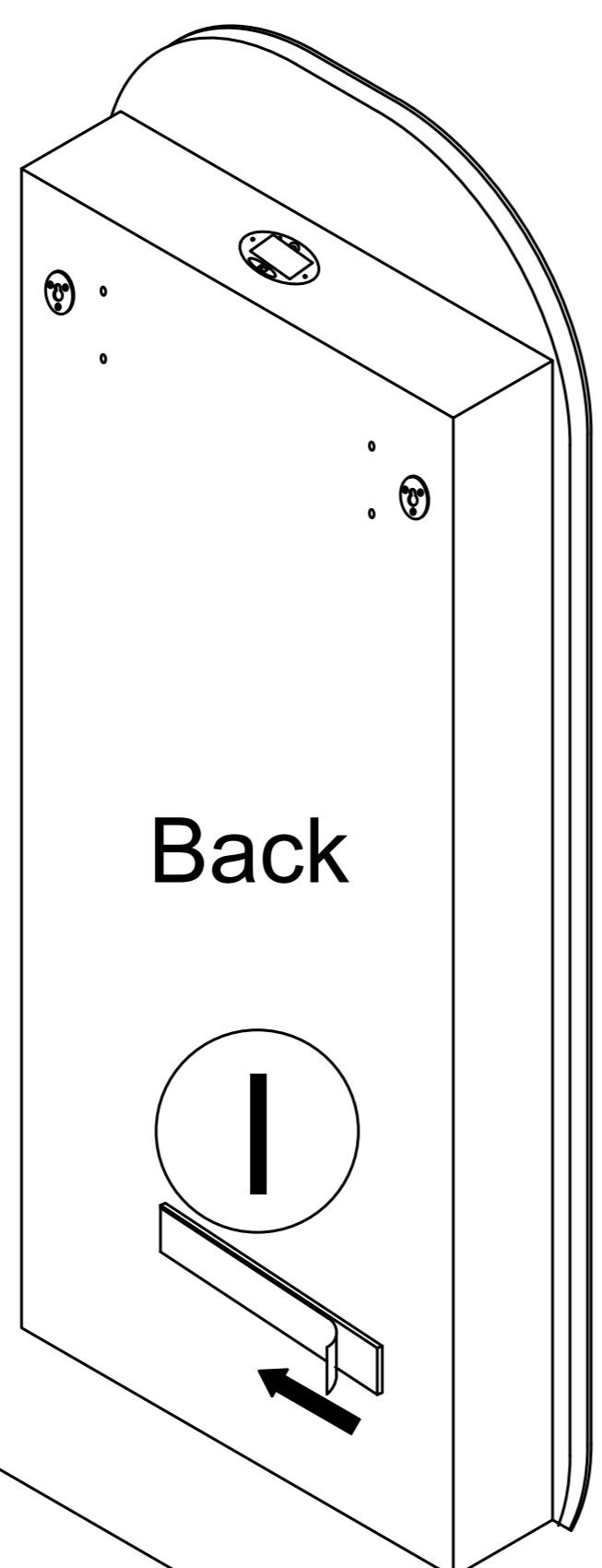
Wall Mount

(Tip: Please use your own tools)

(G)		x 2
(F)		x 2



(A)		x 1	(D)		x 1
			(I)		x 1



Fixed to the wall to prevent shaking