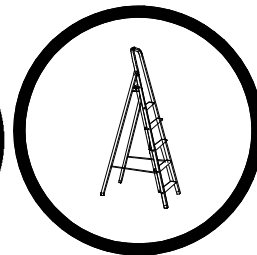
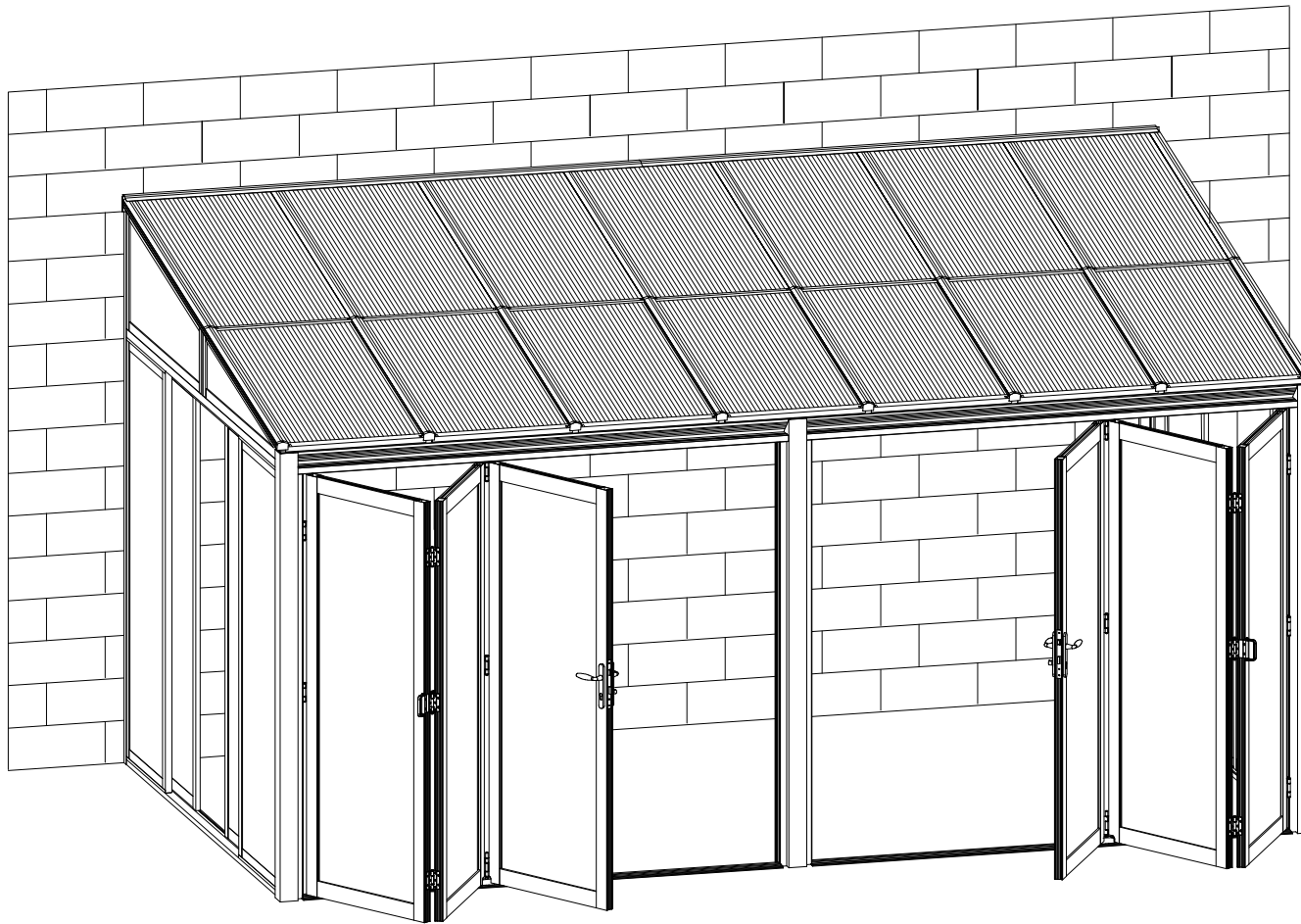


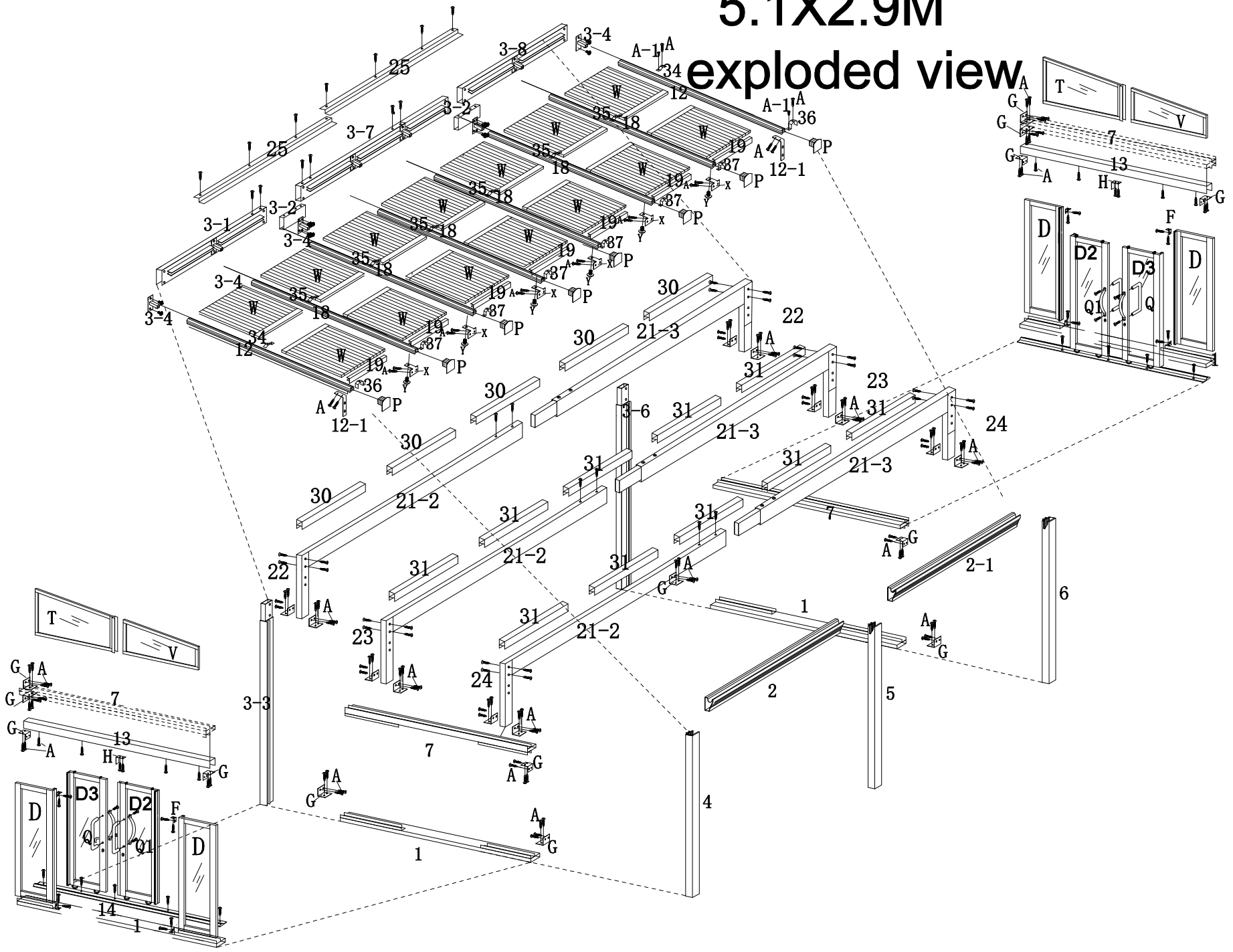
# Wall Sun Room

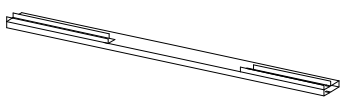
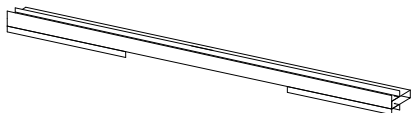
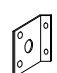
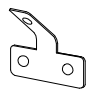
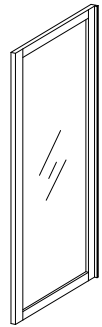
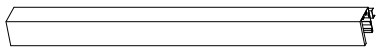

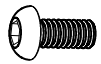

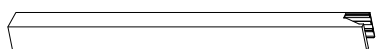
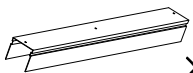
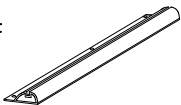


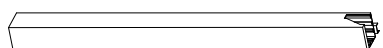

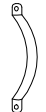
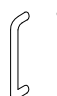
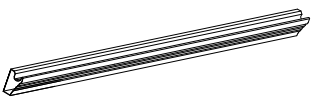

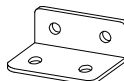
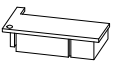
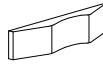
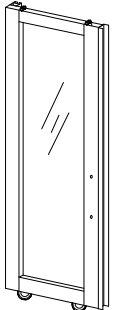
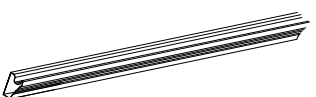
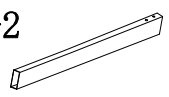
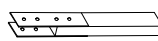

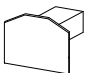
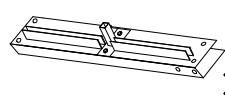
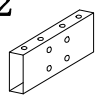
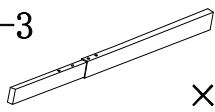
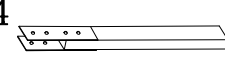
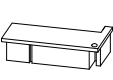
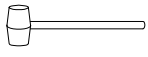
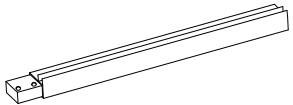
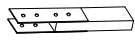
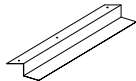


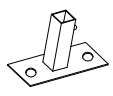
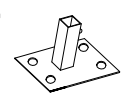
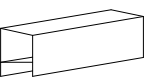
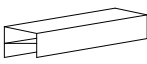

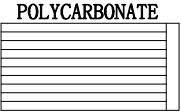
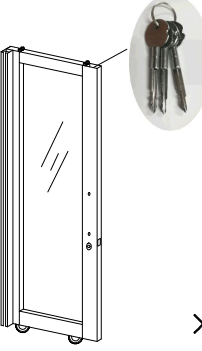
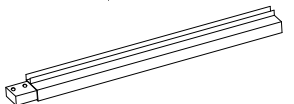



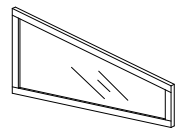
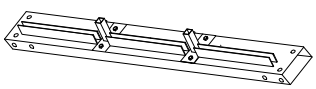
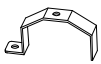

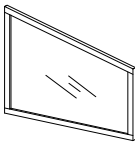
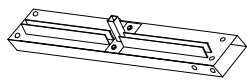
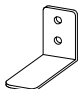
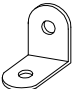
5.1X2.9M



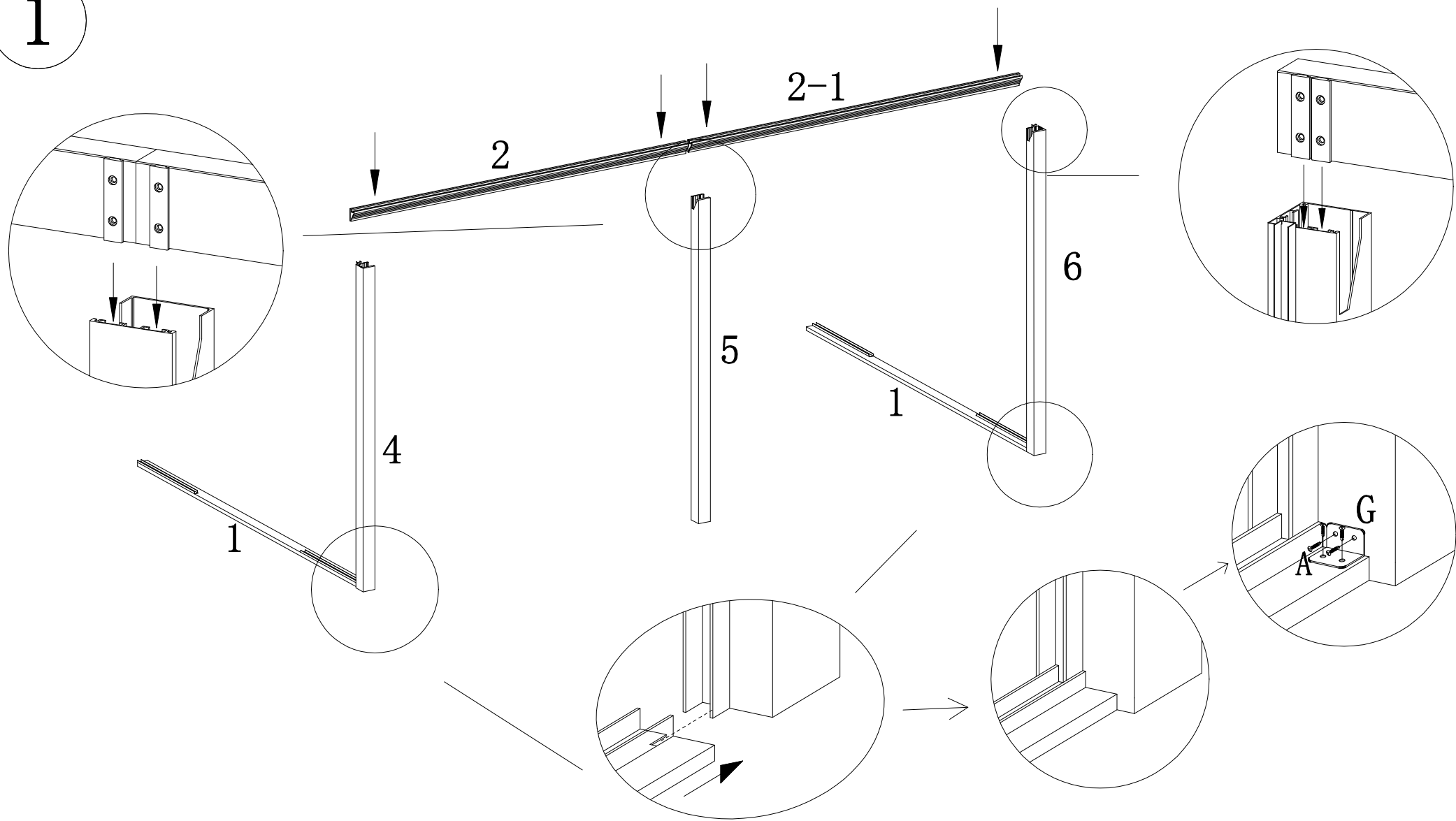
# 5.1X2.9M

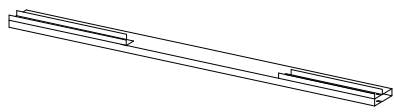
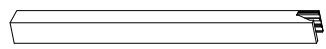


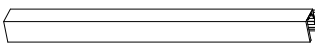
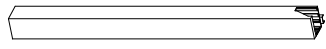

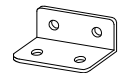
## exploded view



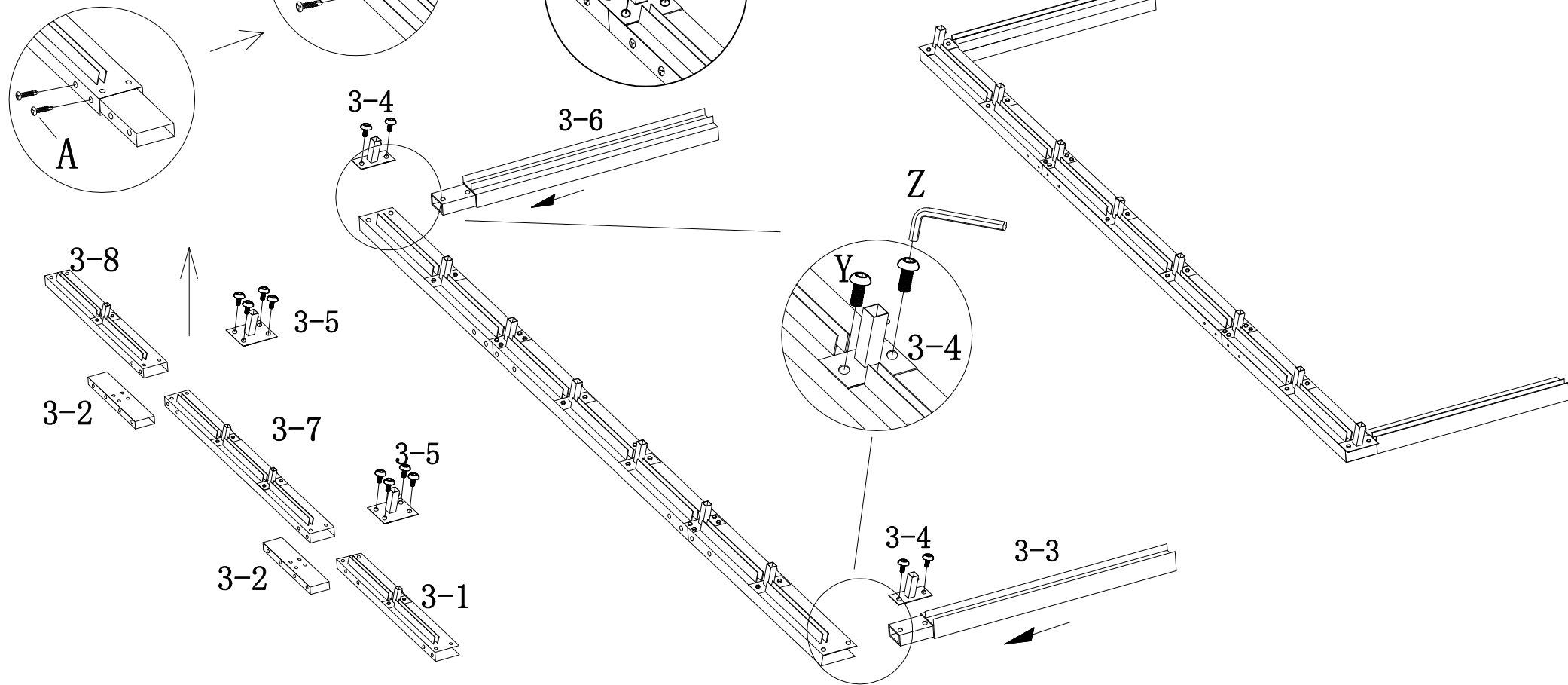
1		×2	7		×2	I		×10	X		×6	D									
4		×1	12		×2	Y		×18	A-1		×28										
5		×1	13		×2	14		×2	A		×220			A-2		×2					
6		×1	18		×6	Q1		×4	Q		×4			×4							
2		×1	19		×7	G		×26	4-1		×1	K		×4	D2						
2-1		×1	21-2		×3	23		×2	5-1		×1	P		×8							
3-1		×1	3-2		×2	21-3		×3	24		×2	6-1		×1	J		×1				
3-3		×1	22		×2	25		×2	R-1		×50	Z		×2	4mm	×2	×2				
3-4		×2	3-5		×2	30		×7	31		×14	M-1		×1	5M	×1	W		×14	D3	
3-6		×1	34		×2	35		×6	P-1		×60M	V		×2							
3-7		×1	36		×2	37		×6	T		×2										
3-8		×1	H		×2	F		×8													

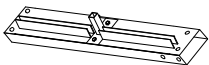
1




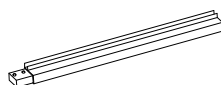
1		×2	5		×1	2		×1	A		×10
4		×1	6		×1	2-1		×1	G		×2

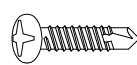
2

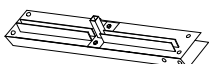



3-8  ×1

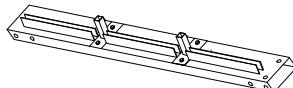
3-3  ×1

3-6  ×1

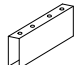
A  ×8

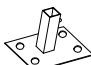
3-1  ×1

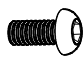
3-4  ×2

3-7  ×1

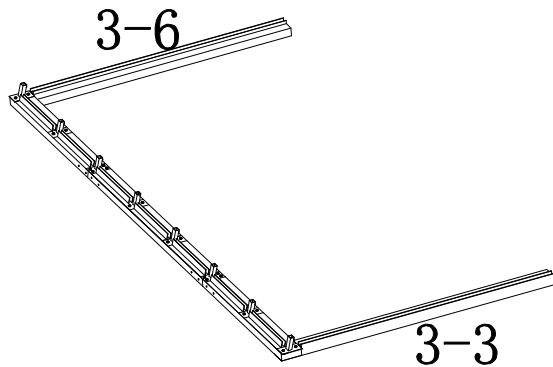
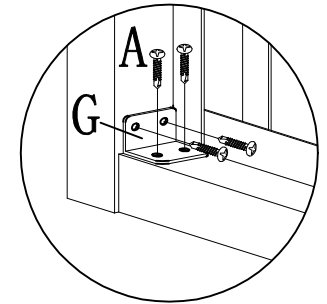
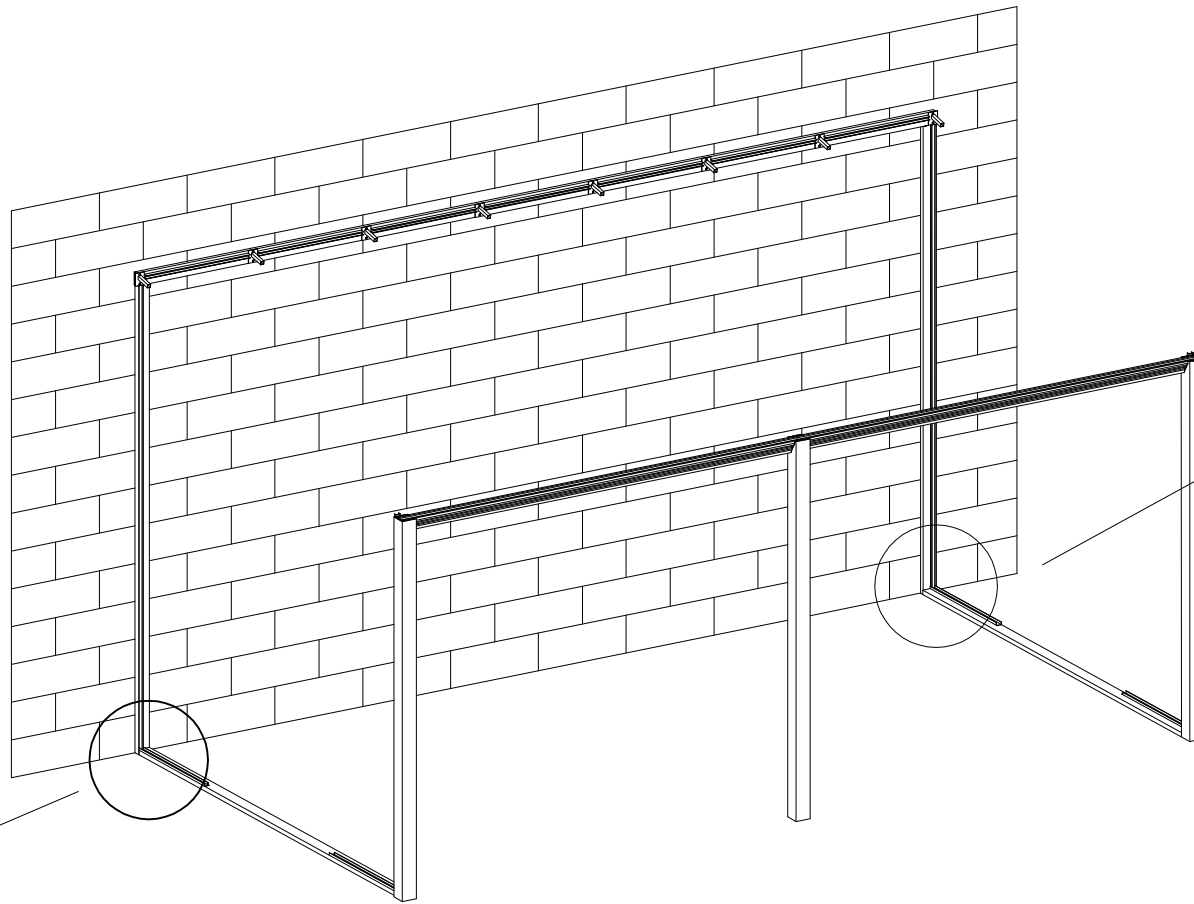
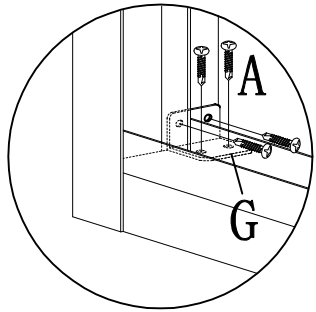
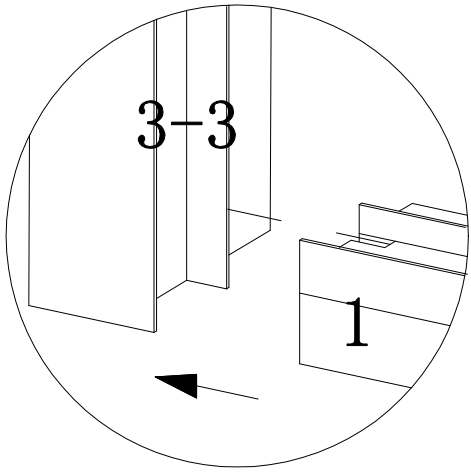
Z  ×2

3-2  ×2

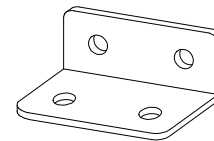
3-5  ×2

Y  ×12

3

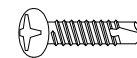


G



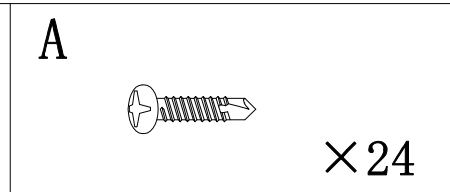
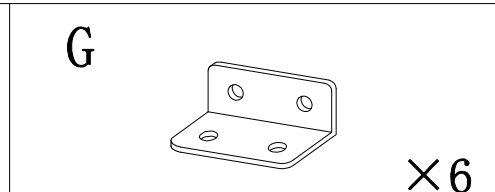
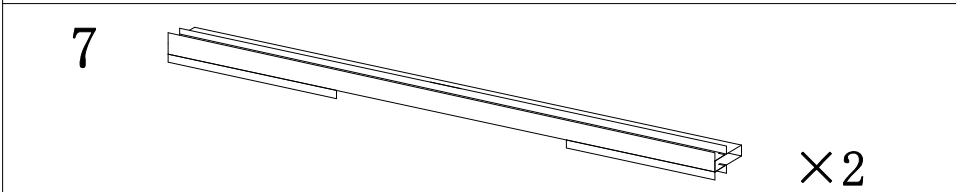
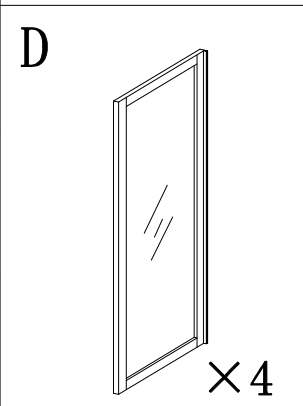
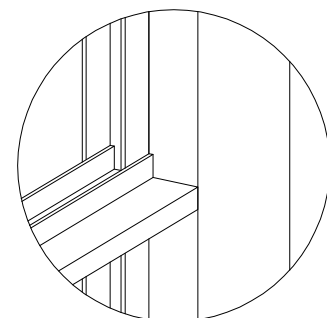
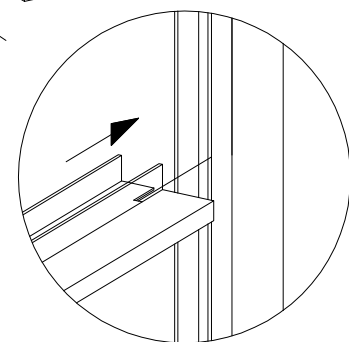
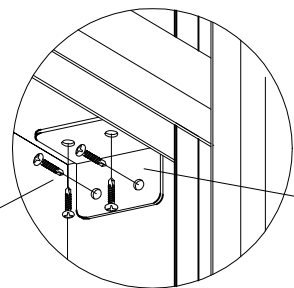
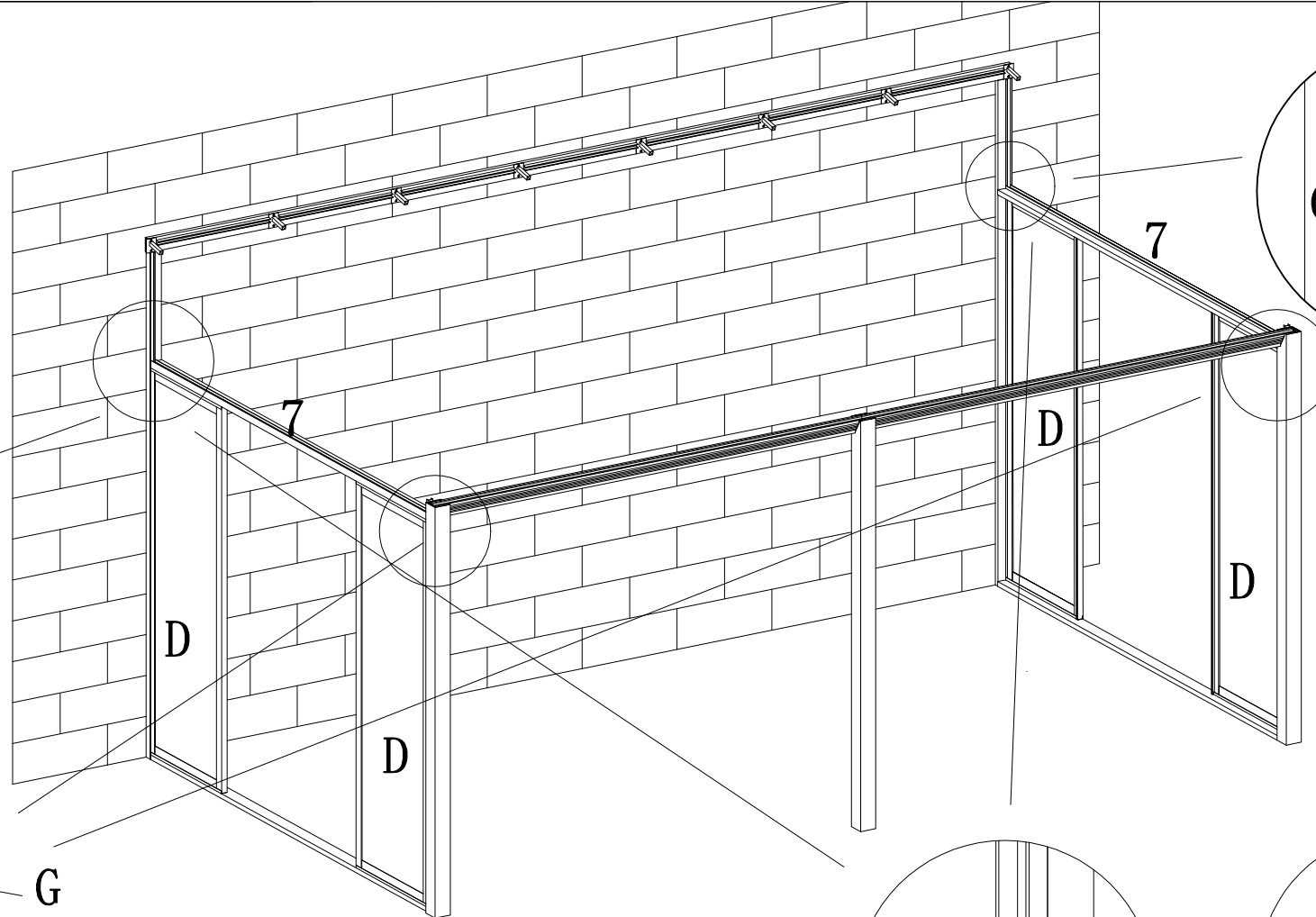
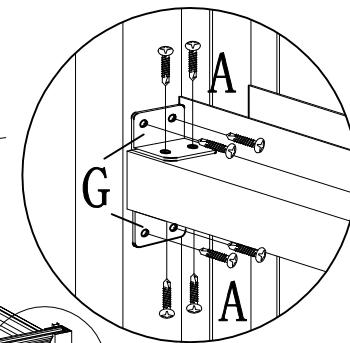
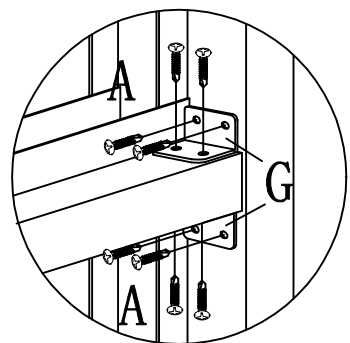
×2

A

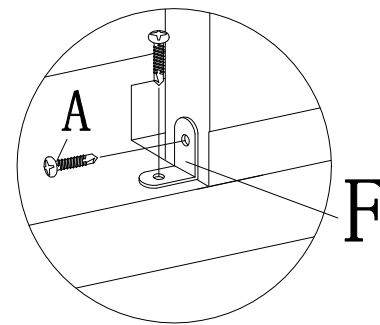
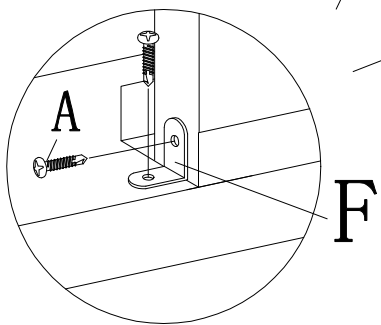
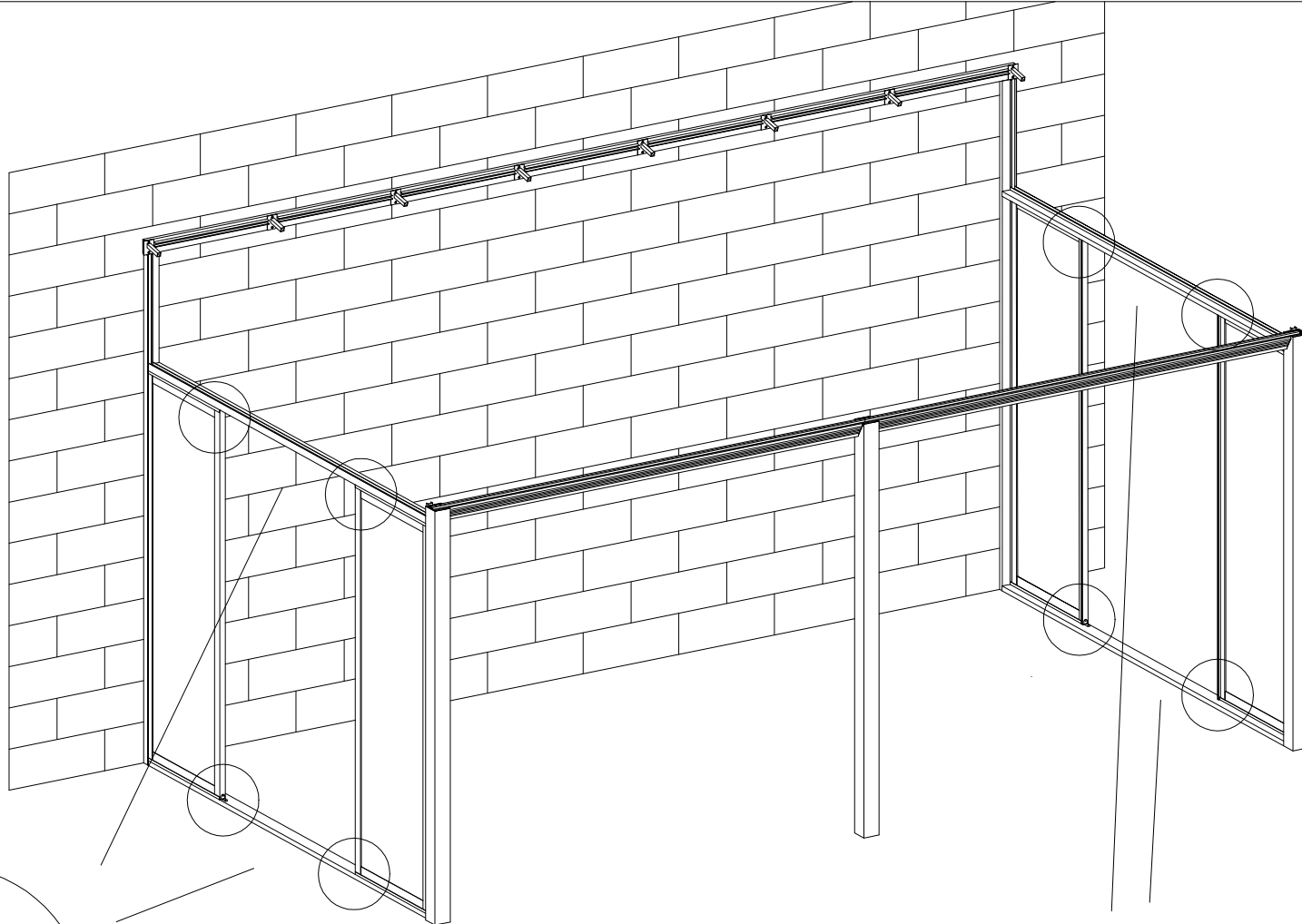



×8

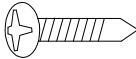
4



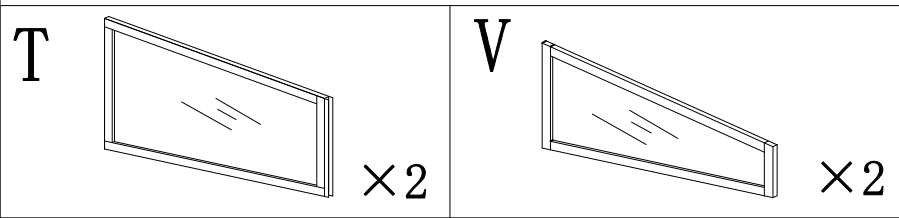
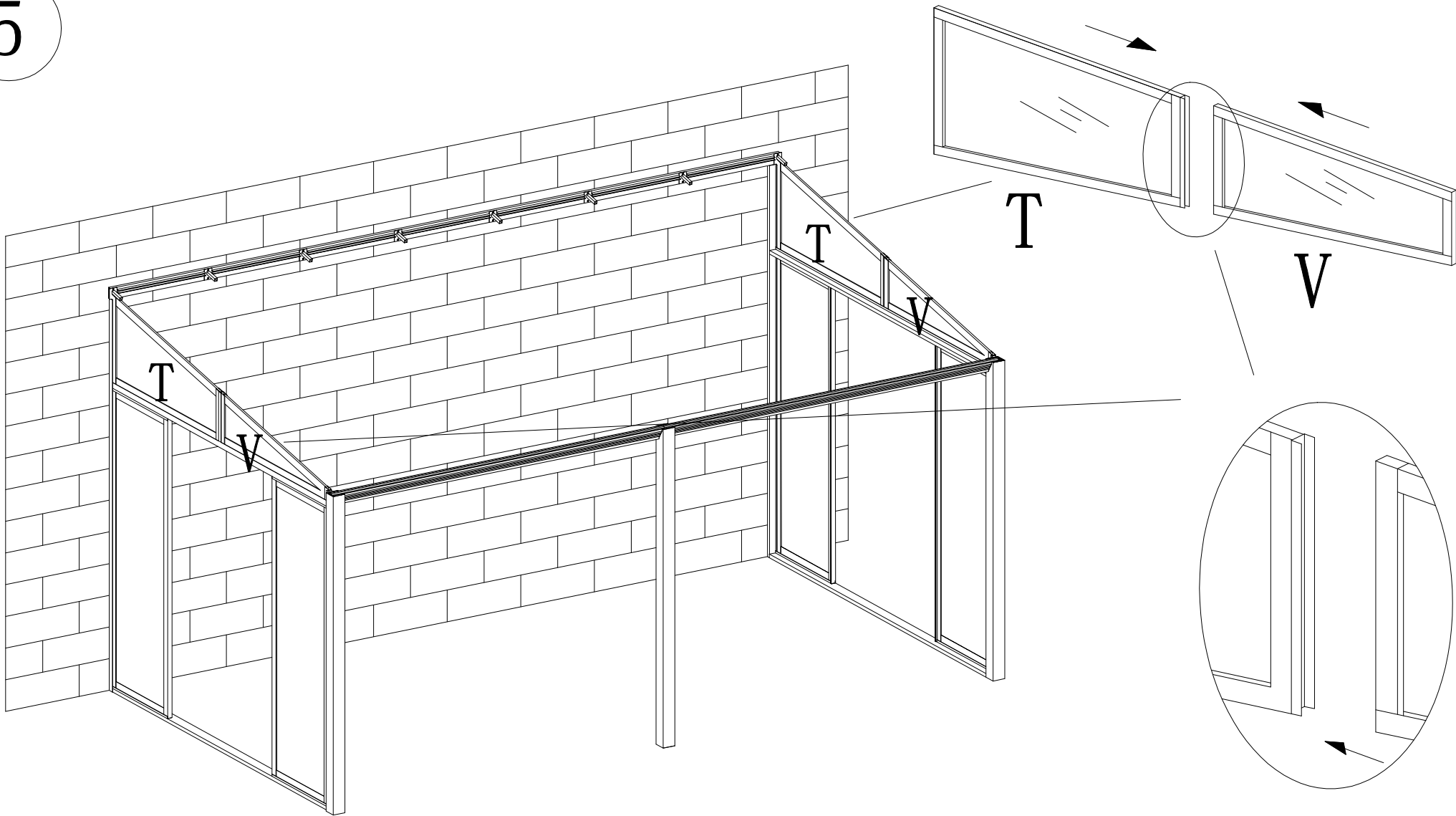
4



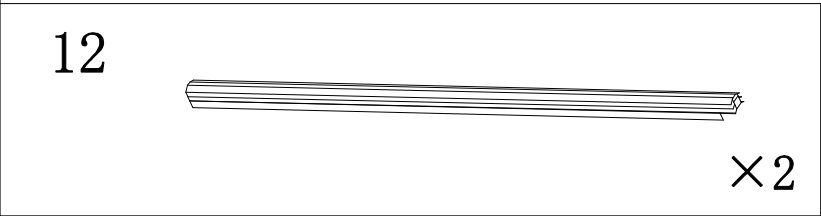
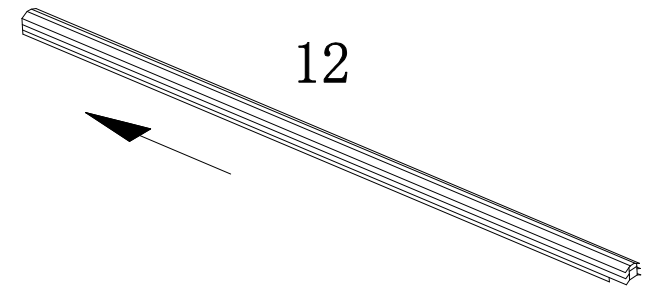
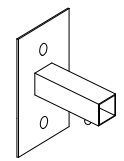
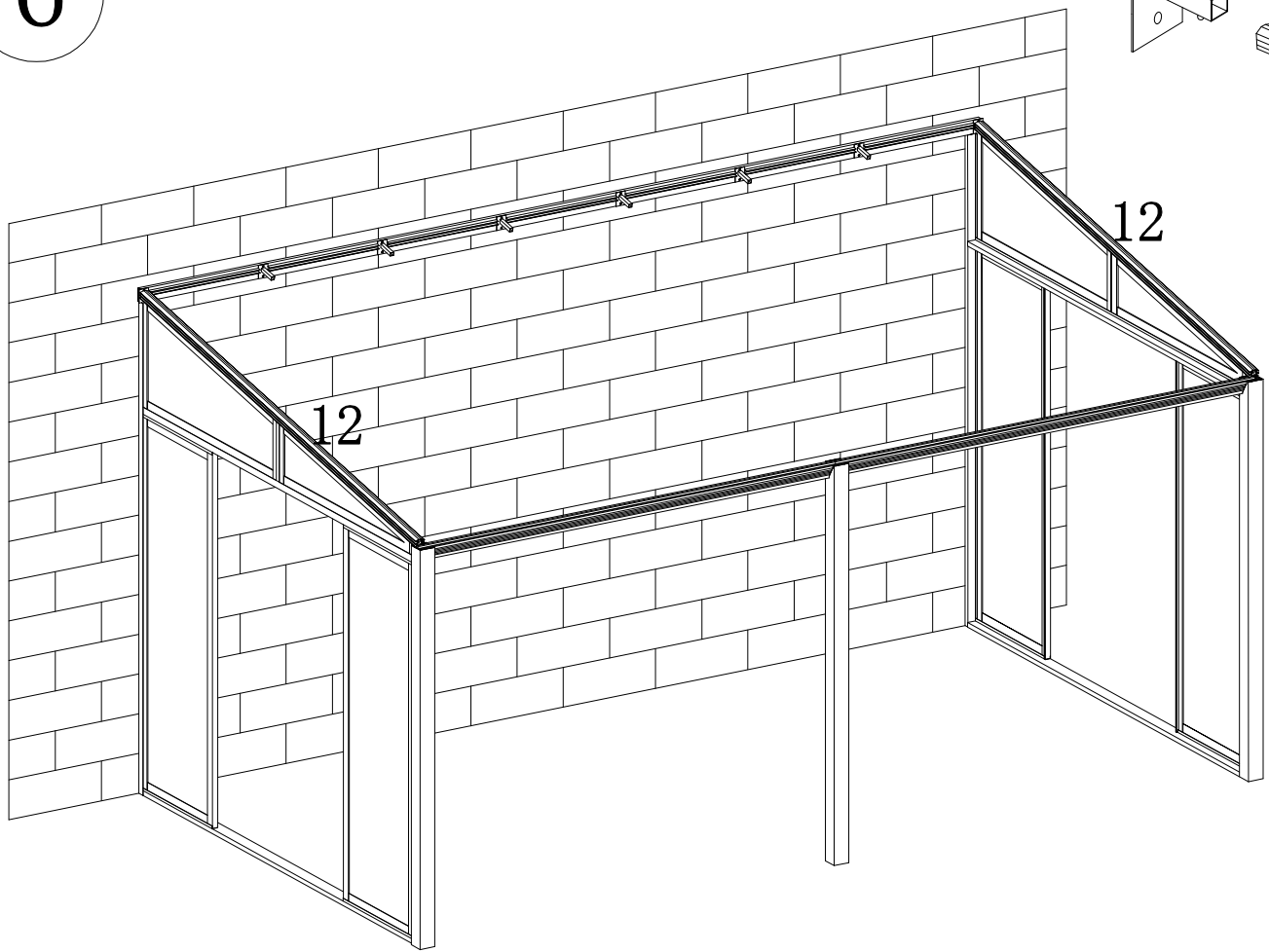
F  ×8

A  ×16

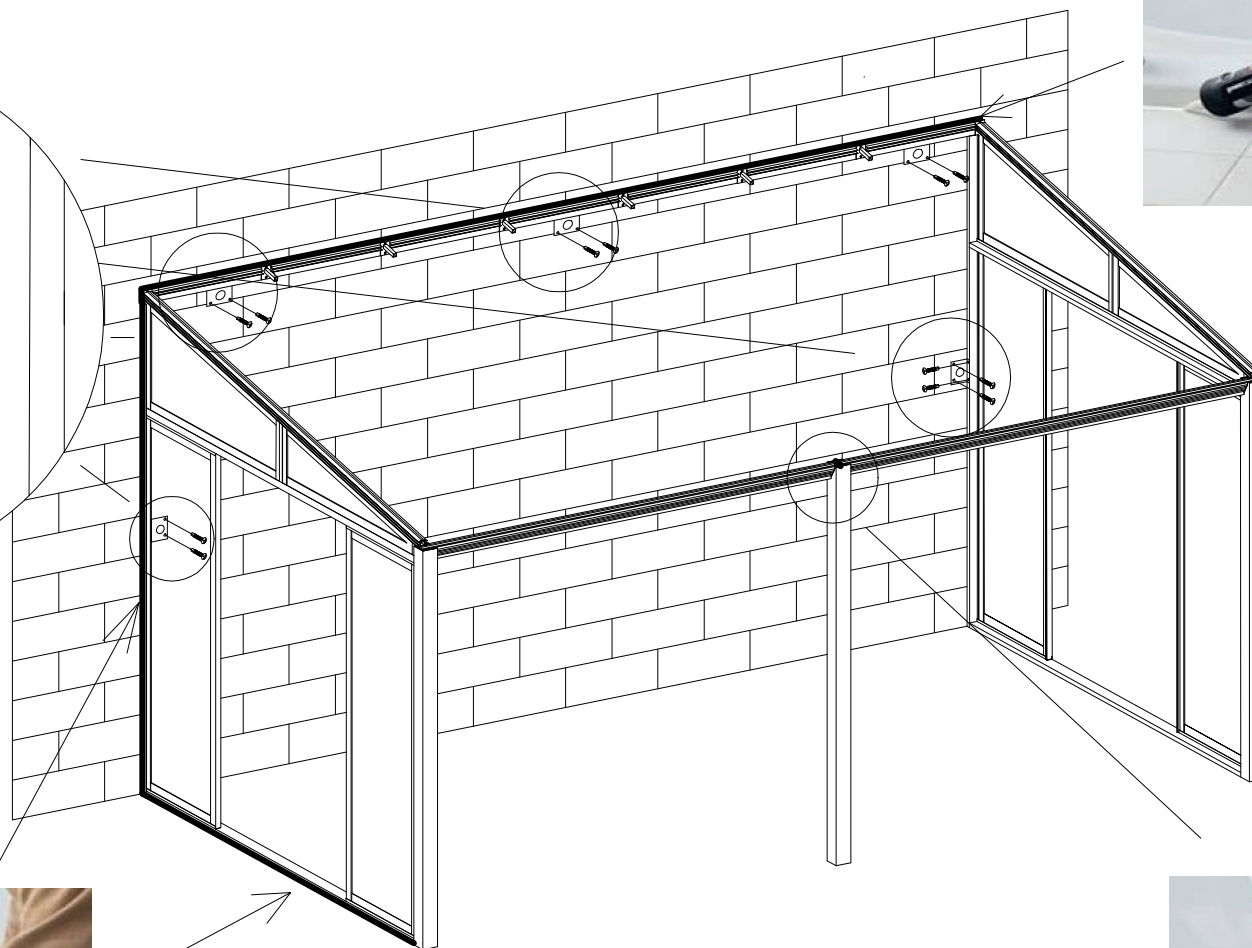
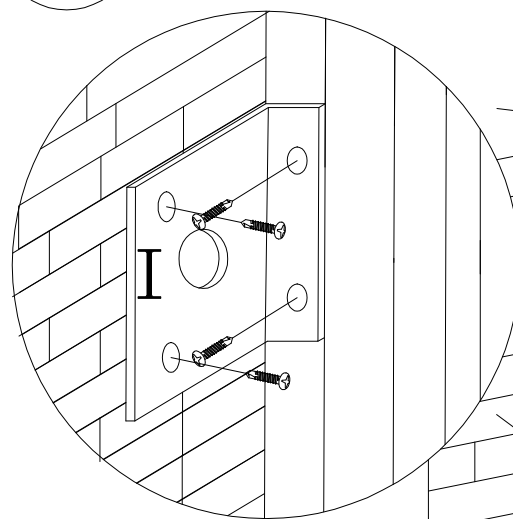
5



6

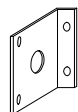


7



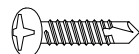
Please reinforce with glass glue on the wall, glass glue is not including.

I



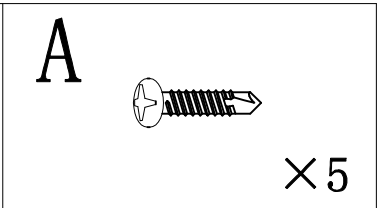
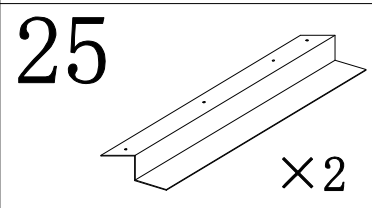
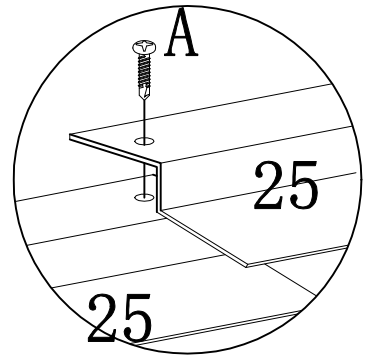
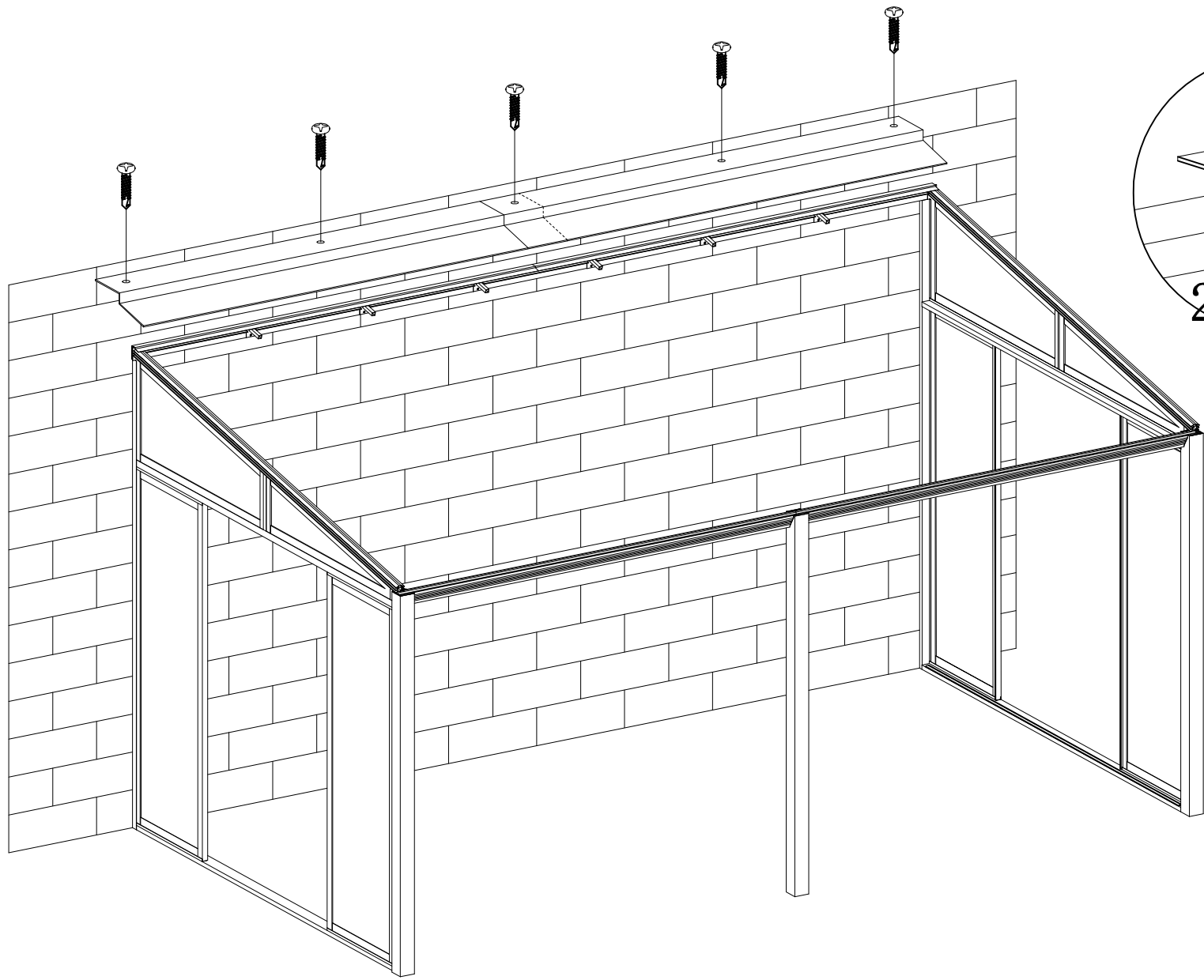
×10

A

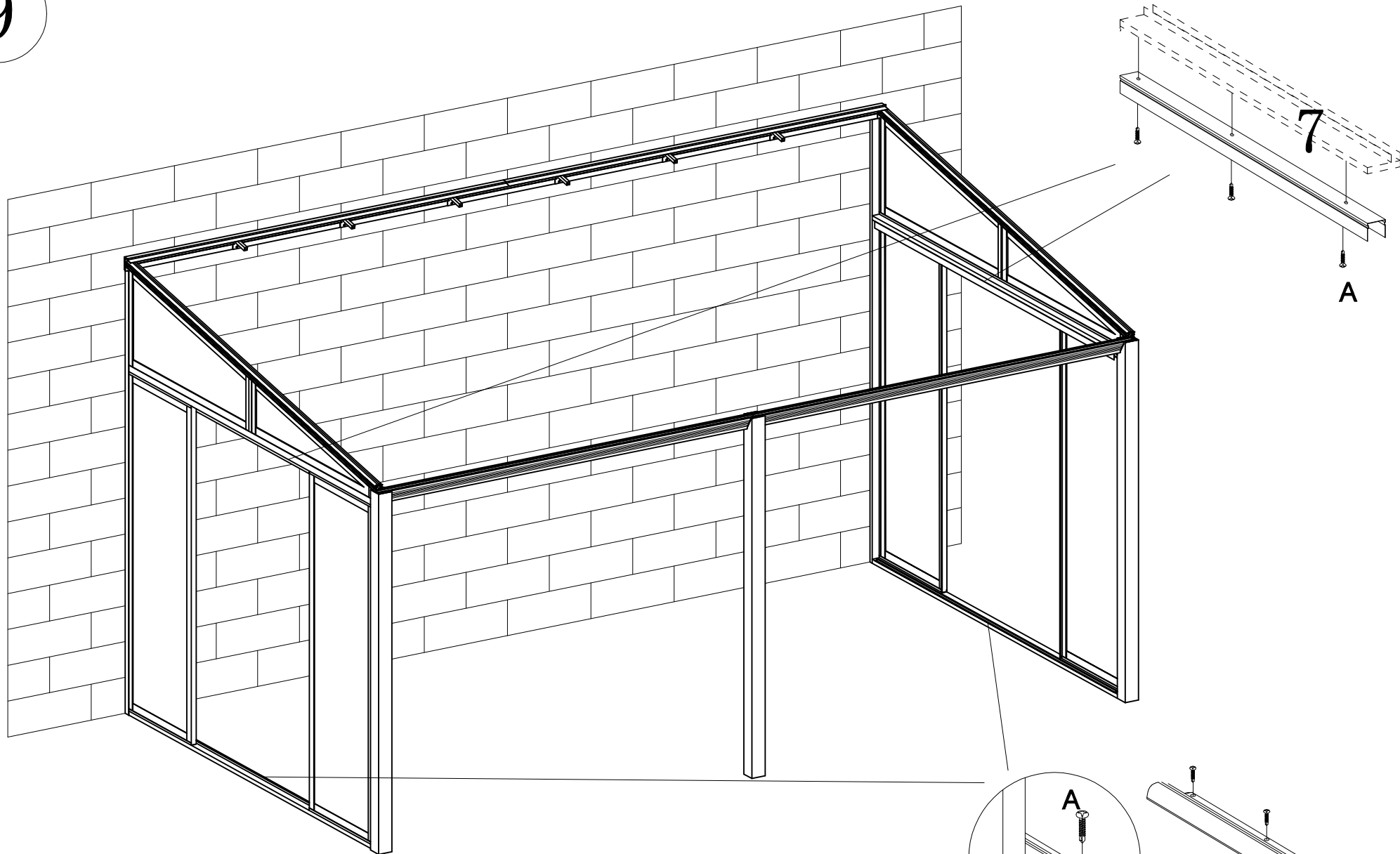


×40

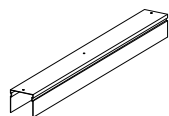
8



9

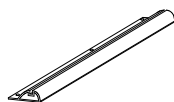


13



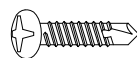
×2

14

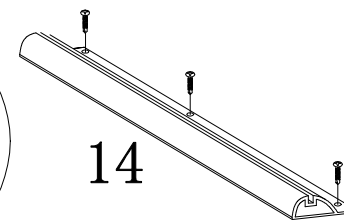
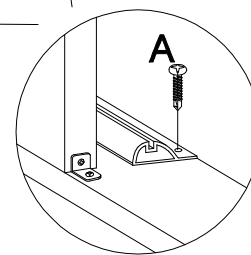


×2

A

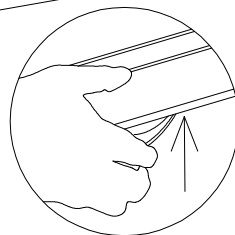
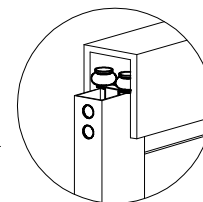
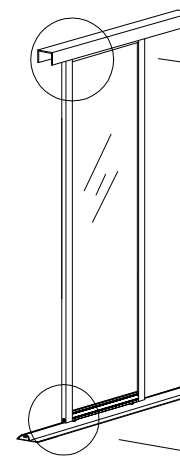
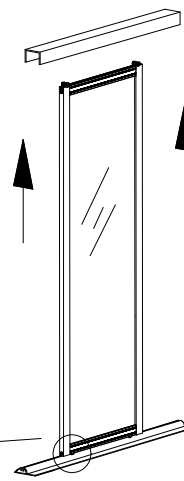
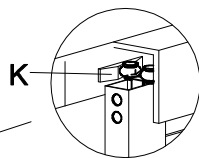
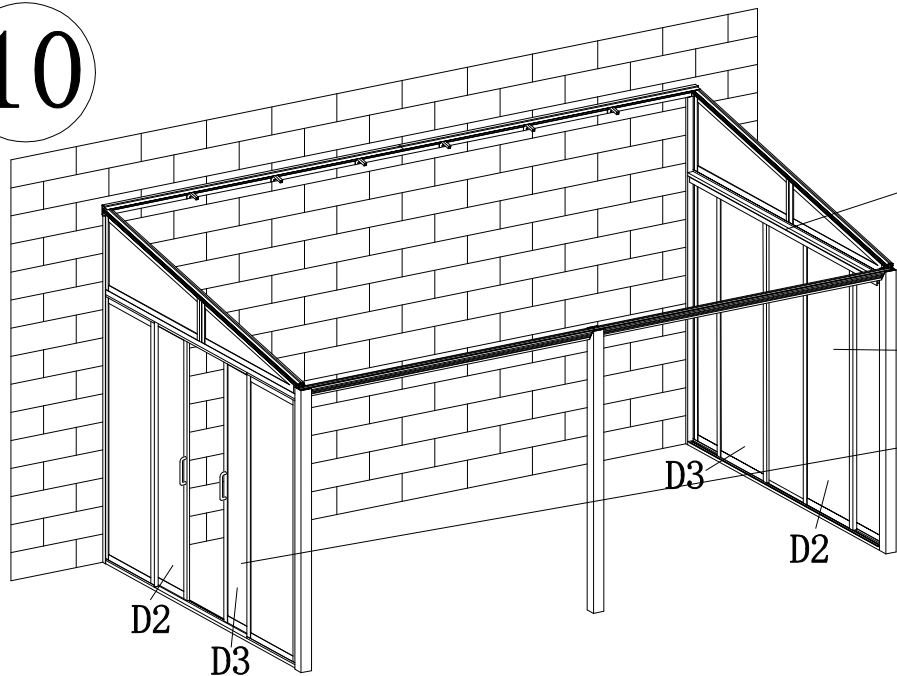


×12



14

10

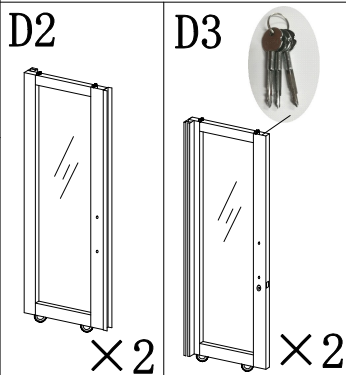
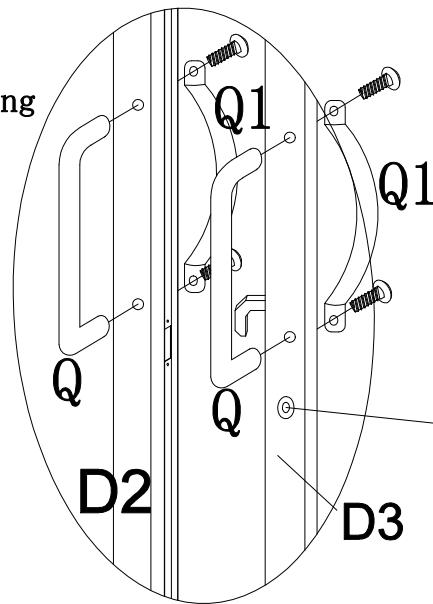
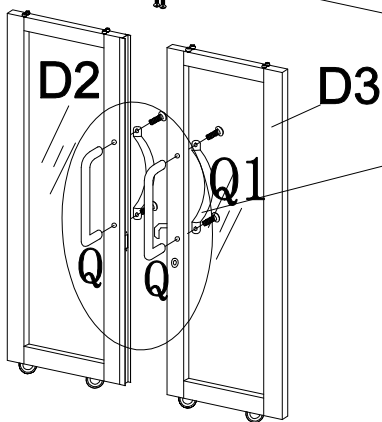
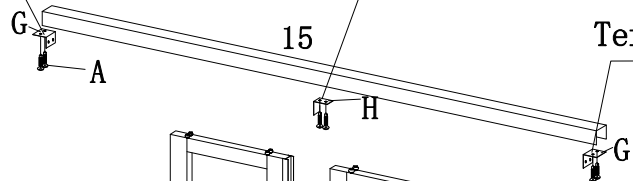


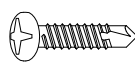
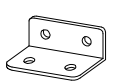
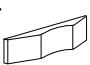
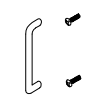

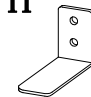
The height of the door can be adjusted here

Terminal Positioning

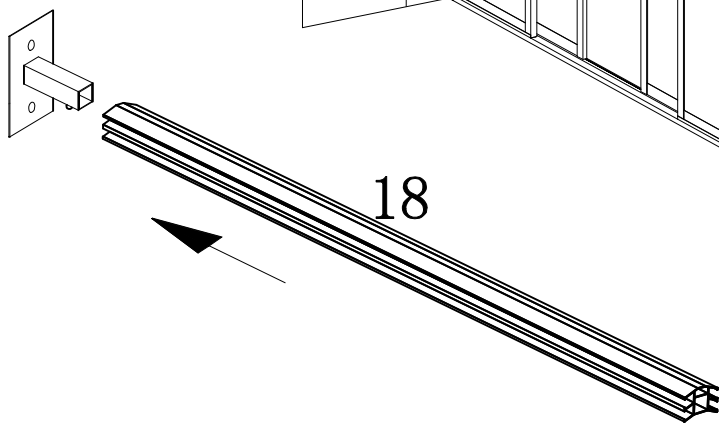
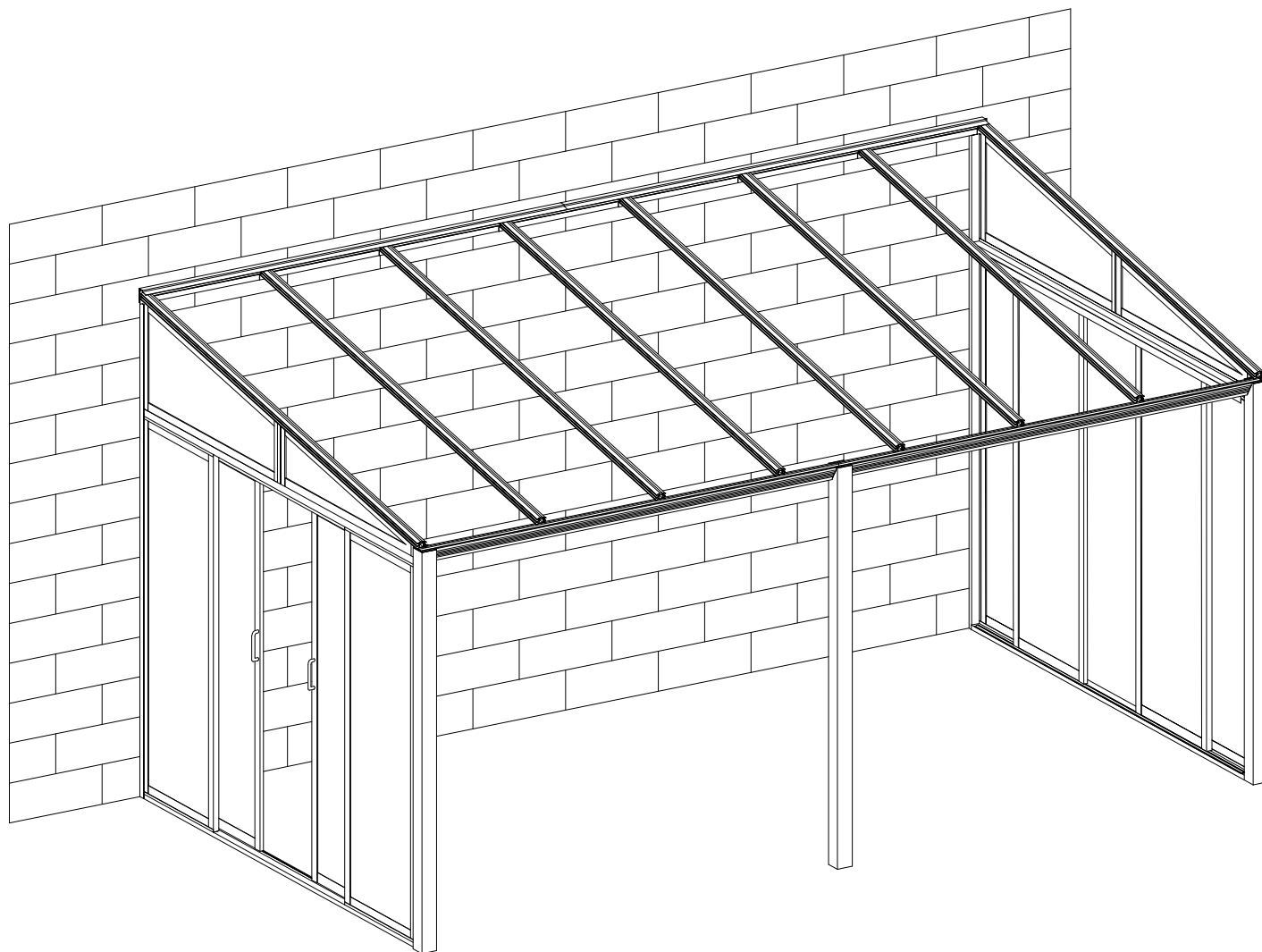
Centralized Positioning

Terminal Positioning



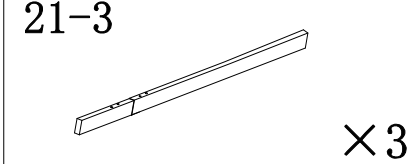
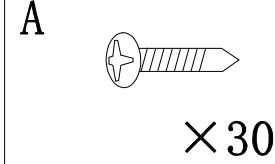
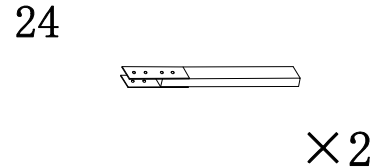
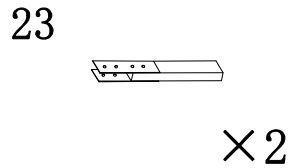
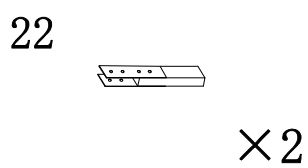
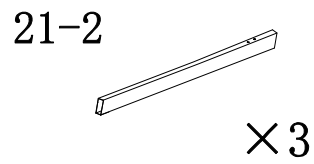
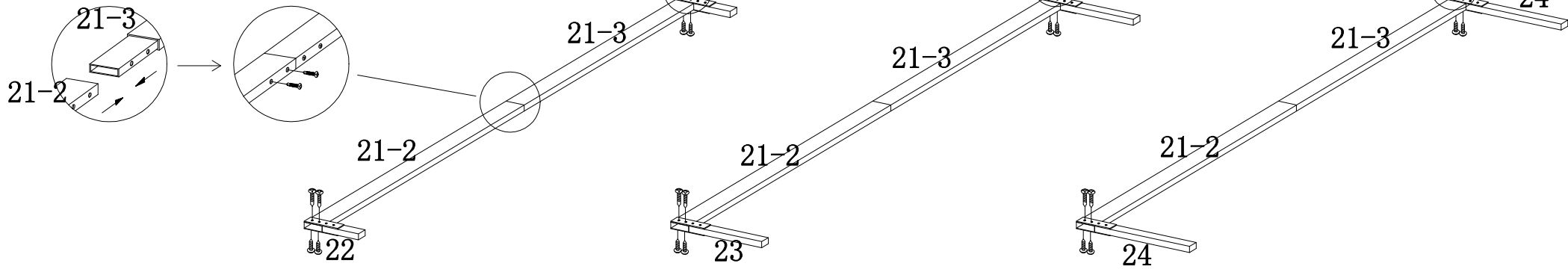
<p>A</p>  <p>×12</p>	<p>G</p>  <p>×4</p>	<p>K</p>  <p>×4</p>	<p>Q</p>  <p>×4</p>	<p>Q1</p>  <p>×4</p>	<p>H</p>  <p>×2</p>
---	--	--	--	---	--

11

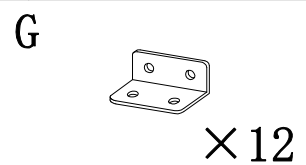
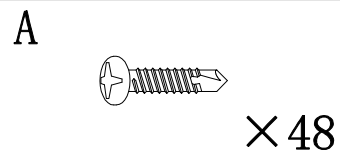
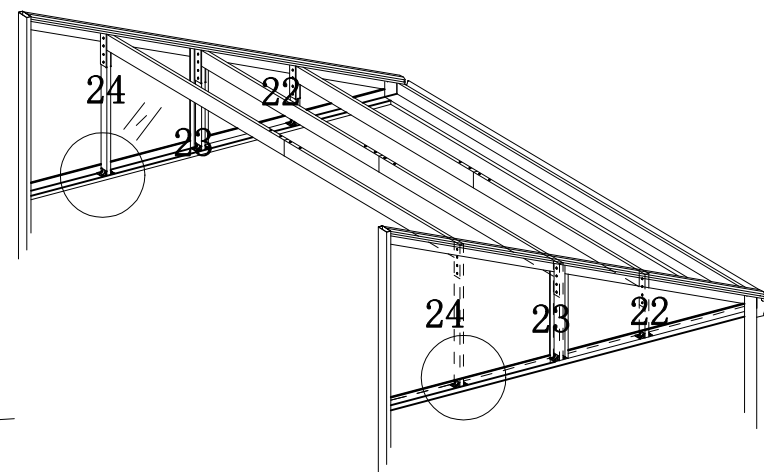
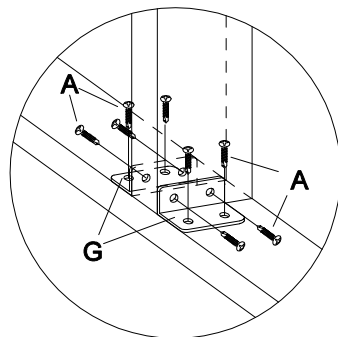
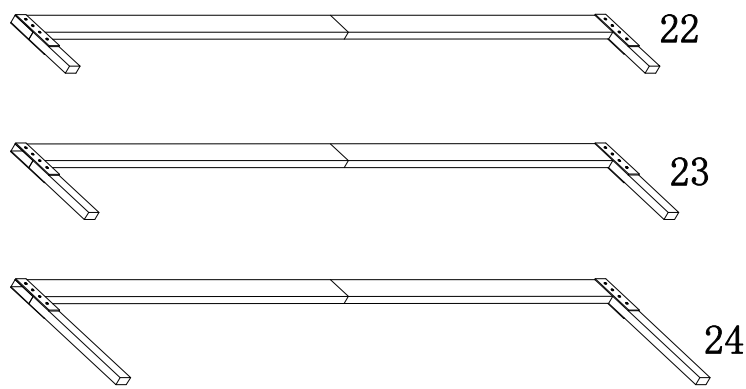


×6

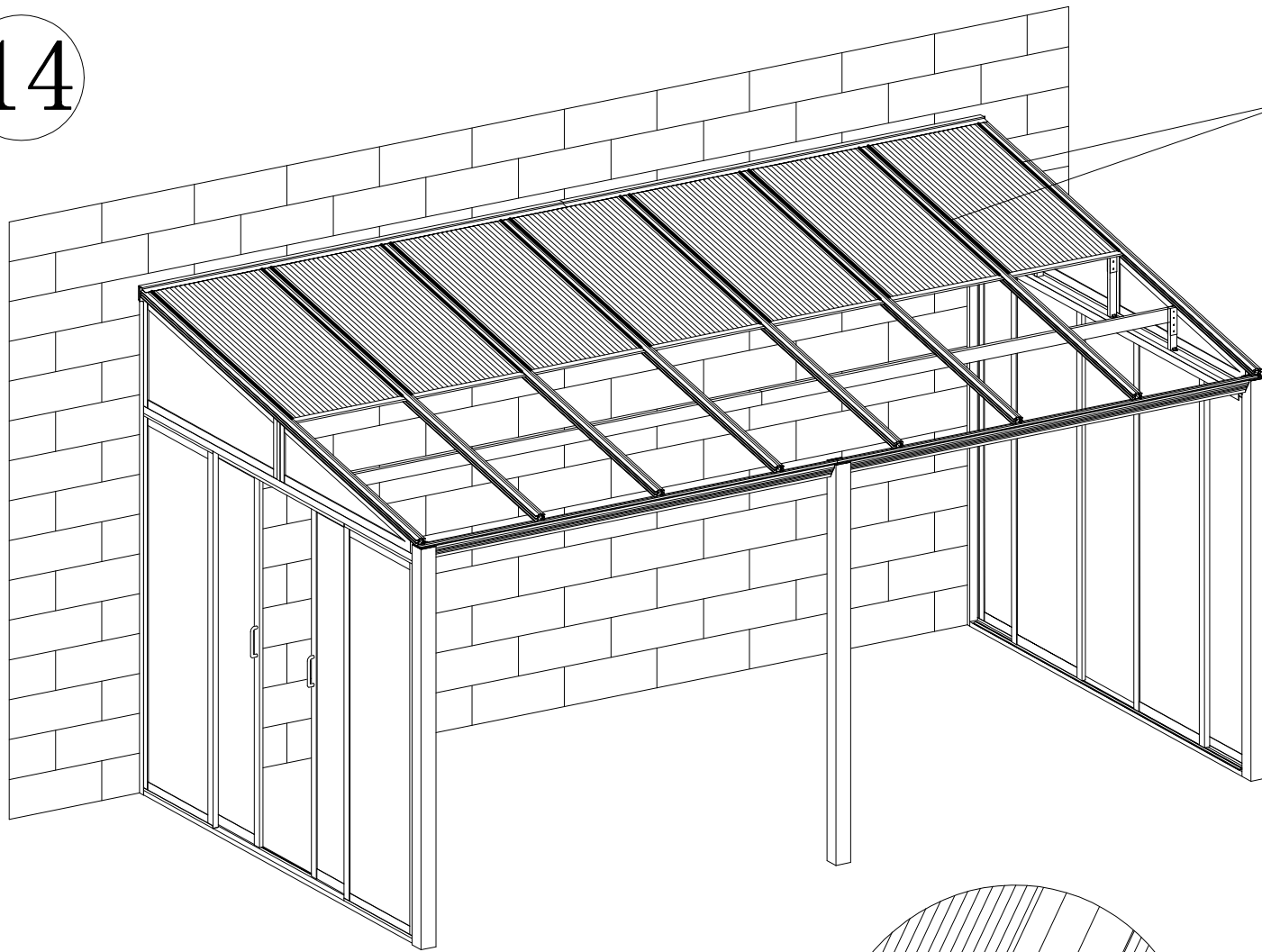
12



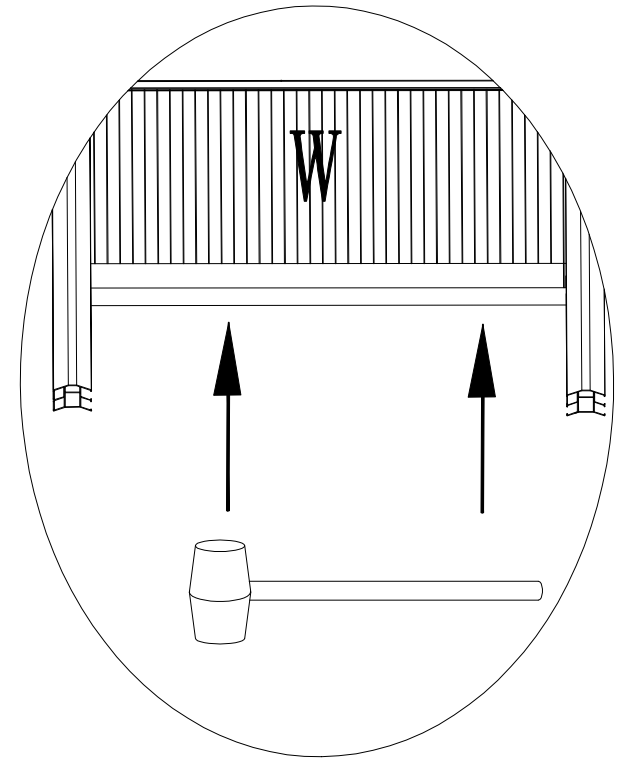
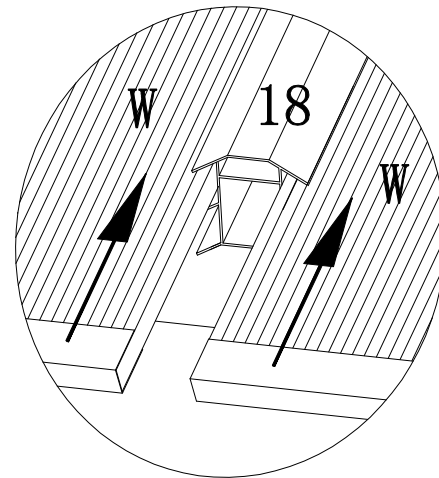
13



14

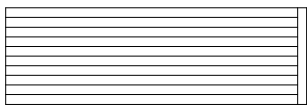


P-1



W

POLYCARBONATE

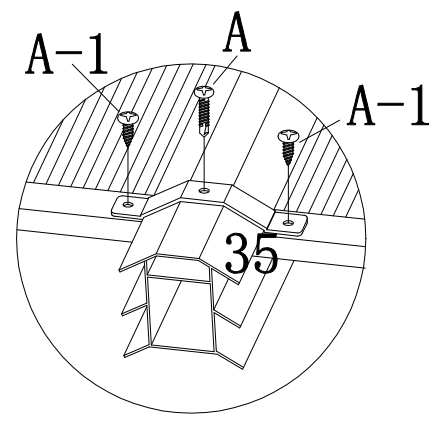
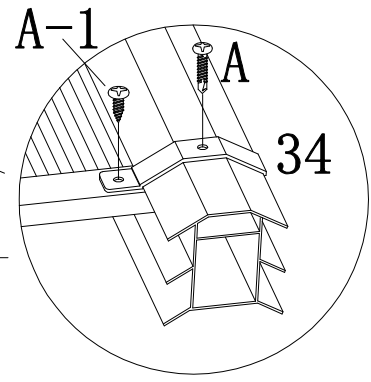
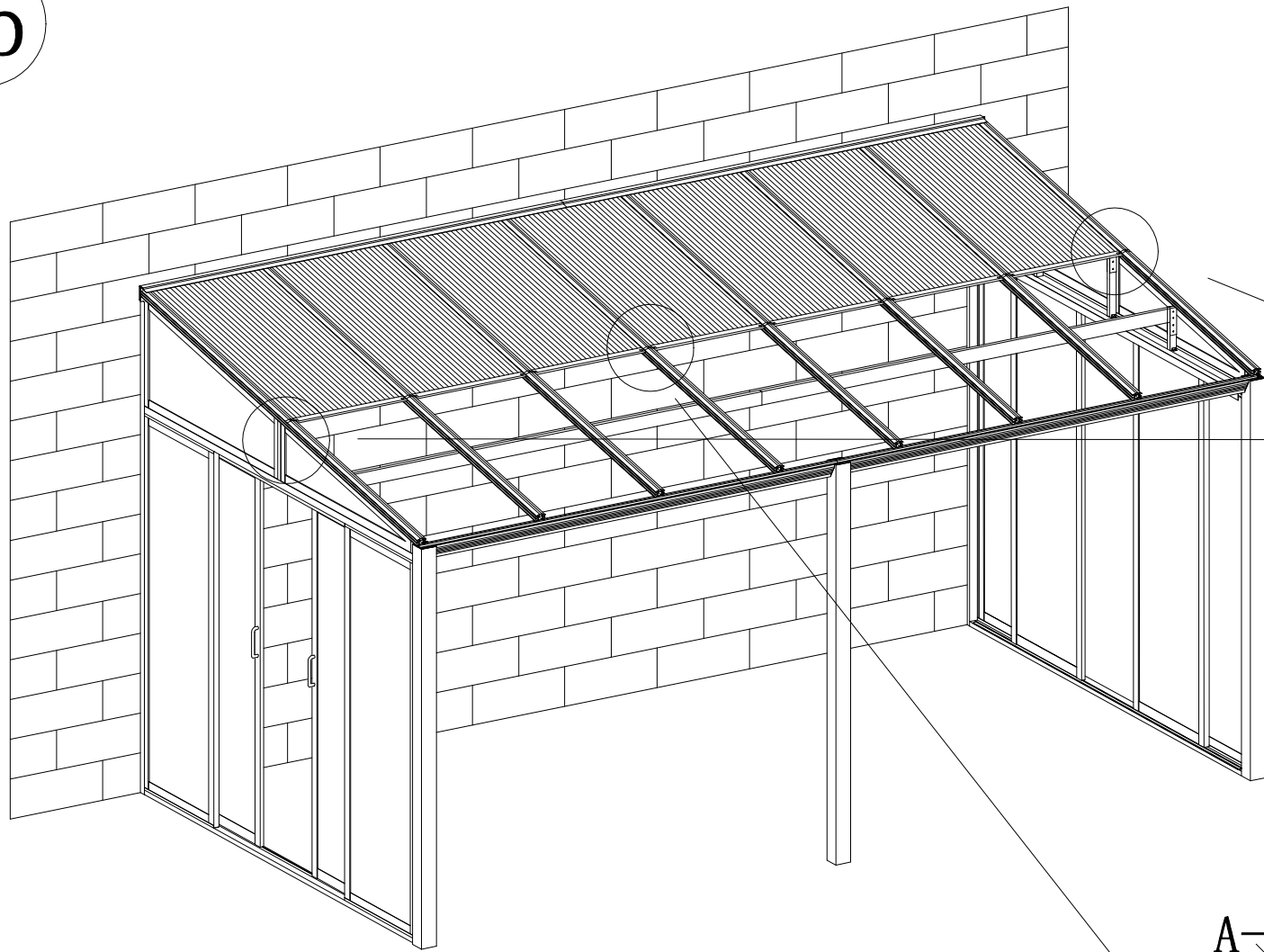


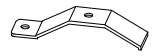


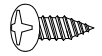
×7

P-1

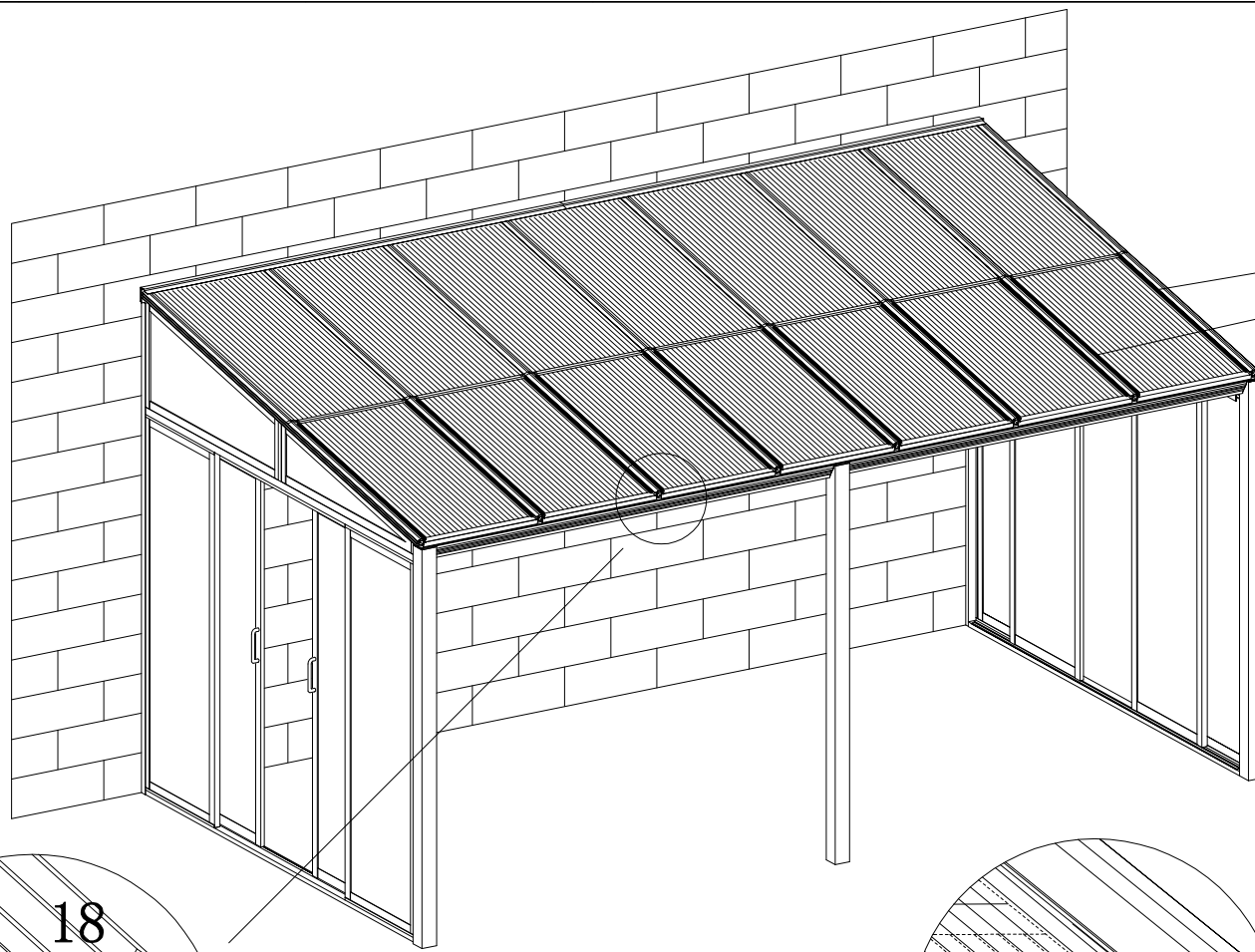


15

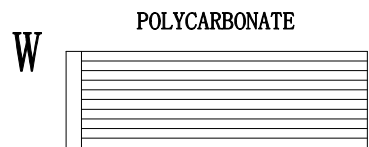
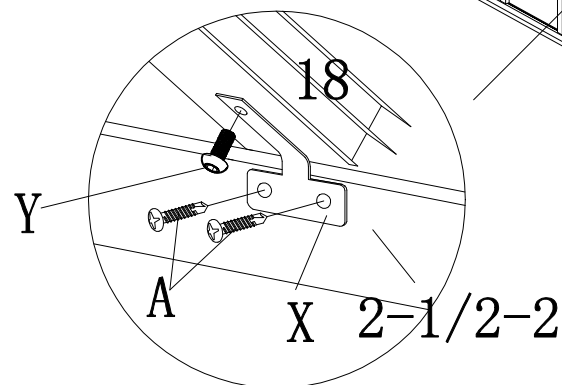
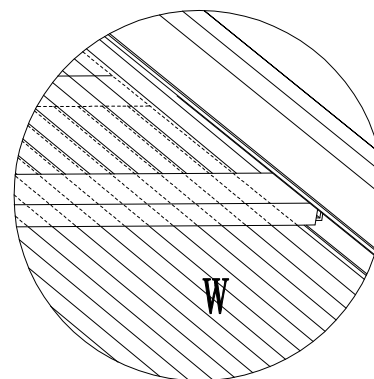
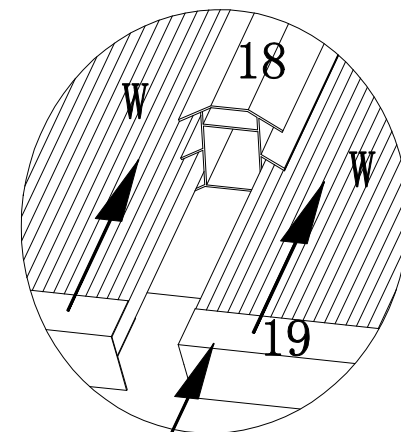


<p>34</p>  <p>×2</p>	<p>35</p>  <p>×6</p>	<p>A</p>  <p>×8</p>	<p>A-1</p>  <p>×14</p>
--	---	--	--

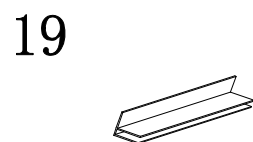
16



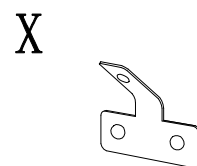
P-1



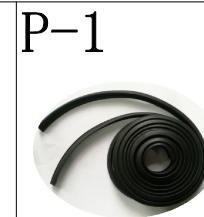
×7



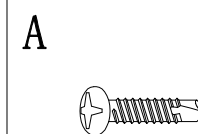
×7



×6

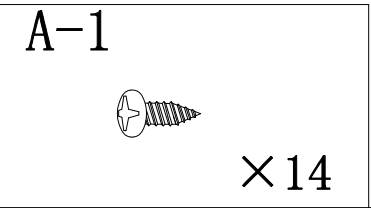
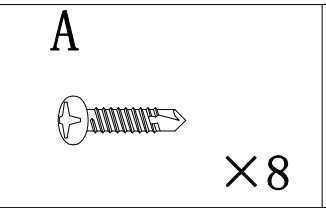
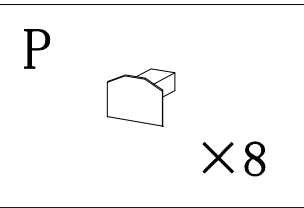
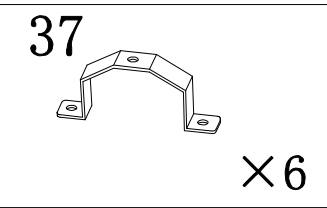
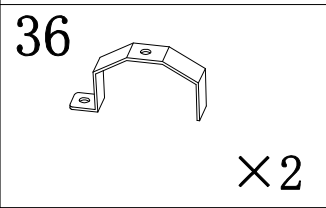
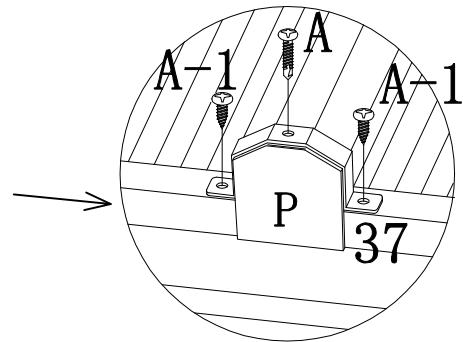
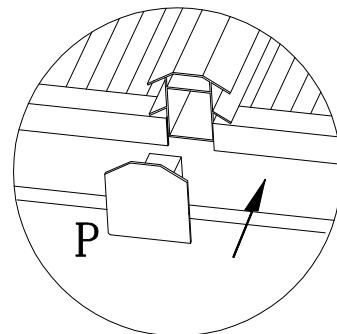
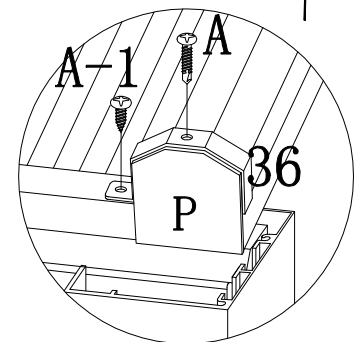
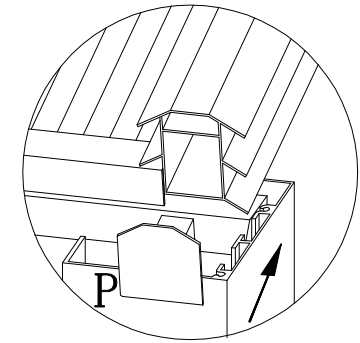
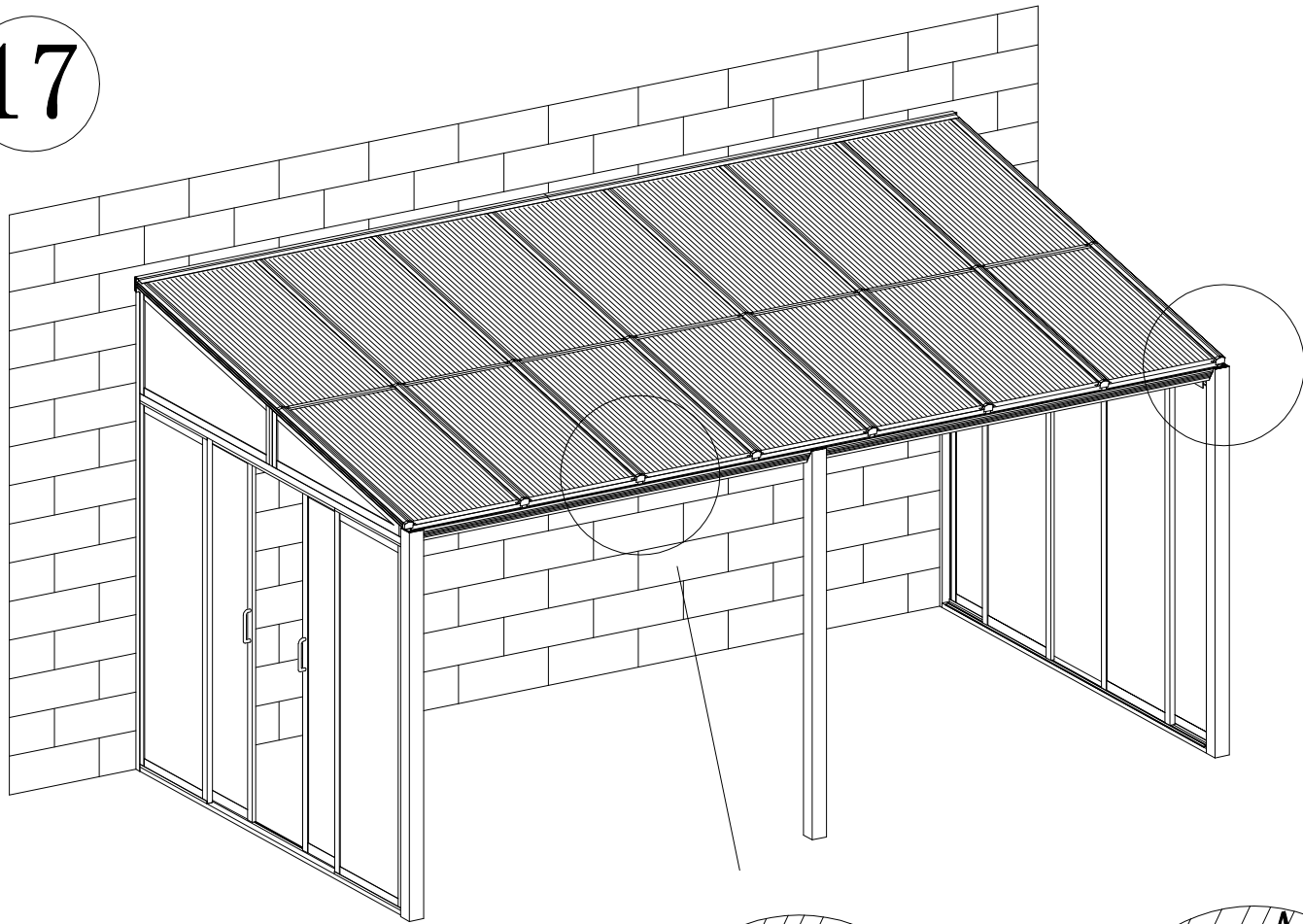


×6

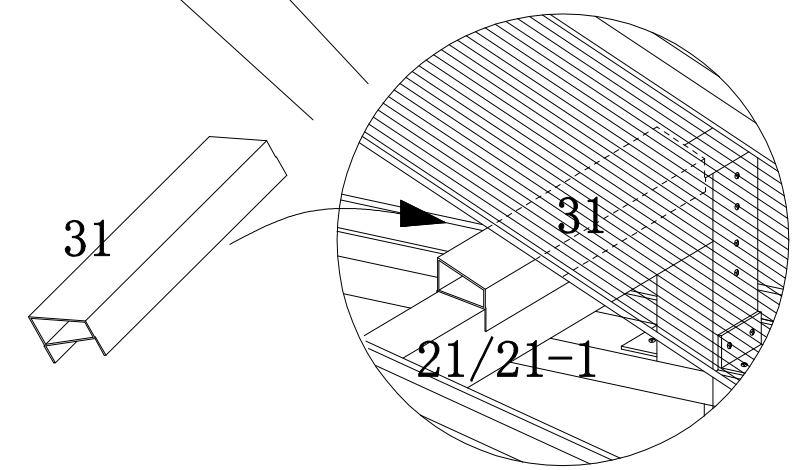
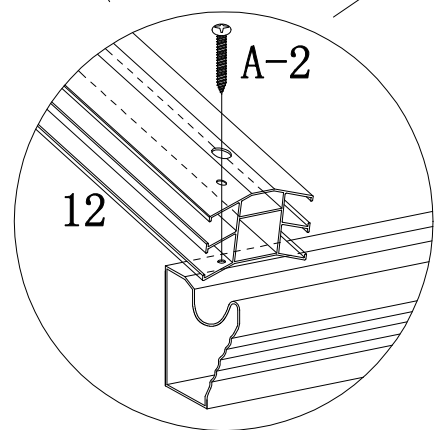
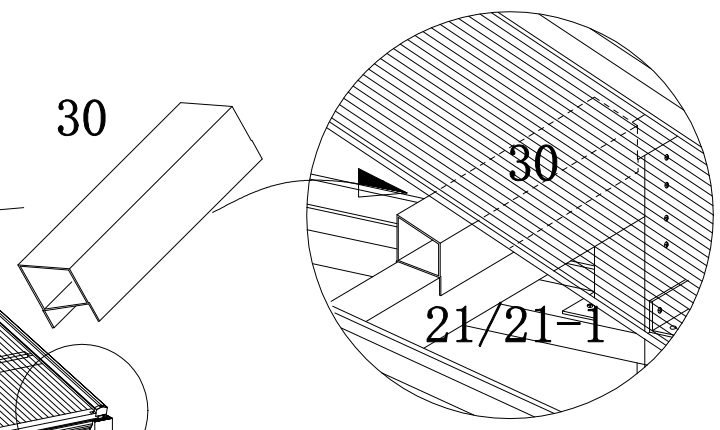
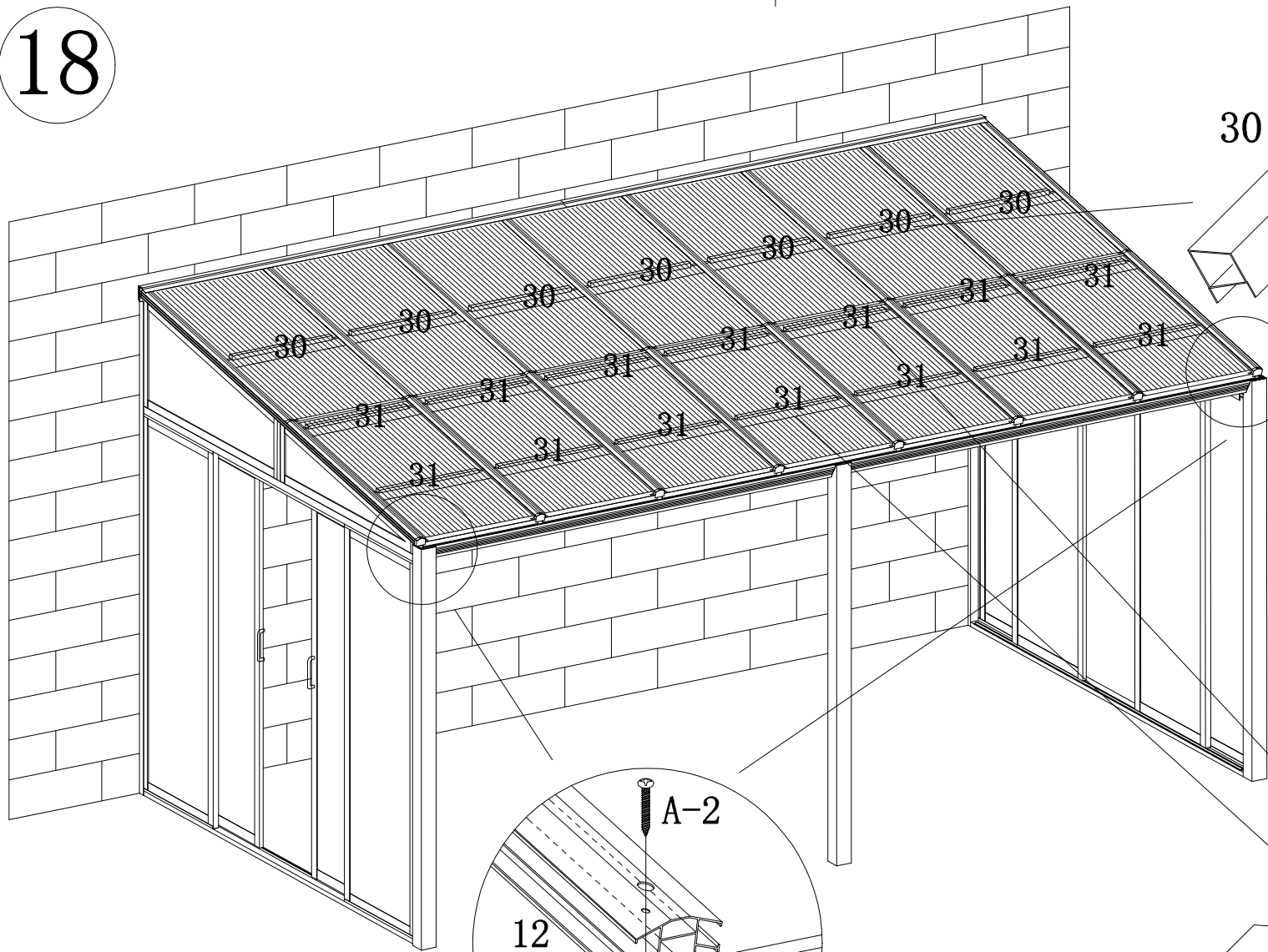


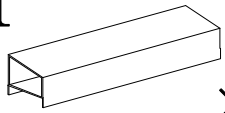
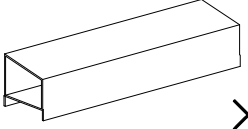

×12

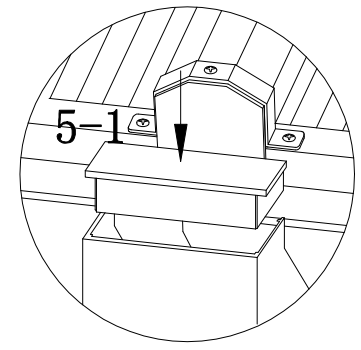
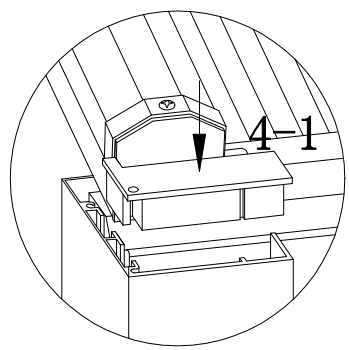
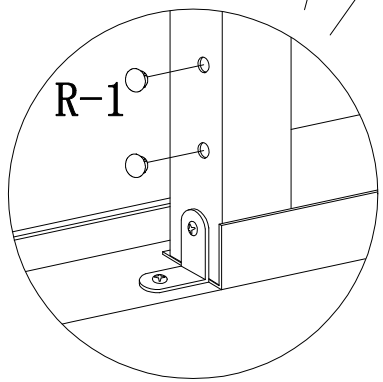
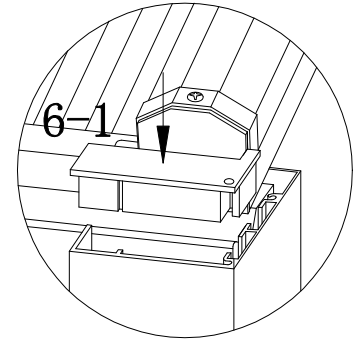
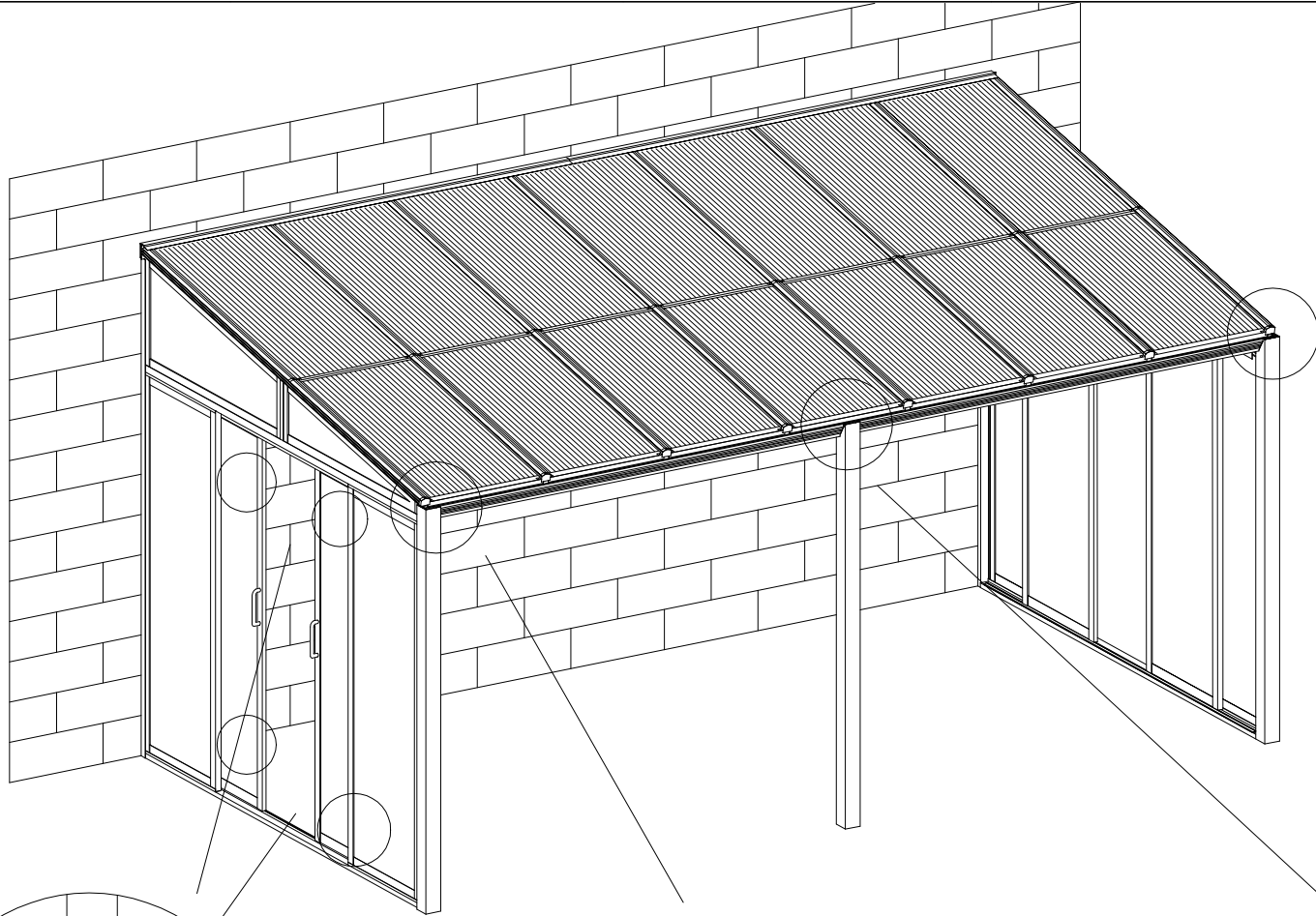
17



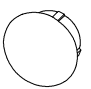
18



- |  |   |   |
|--|---|---|
| <p>31</p>  <p>×14</p> | <p>30</p>  <p>×7</p> | <p>A-2</p>  <p>×2</p> |
|--|---|---|

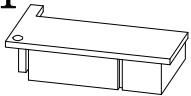


R-1




×50

4-1



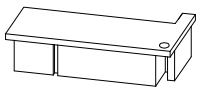
×1

5-1

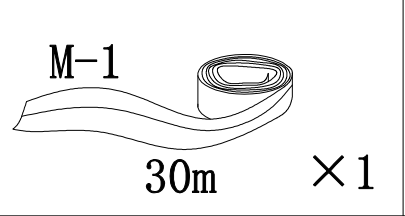
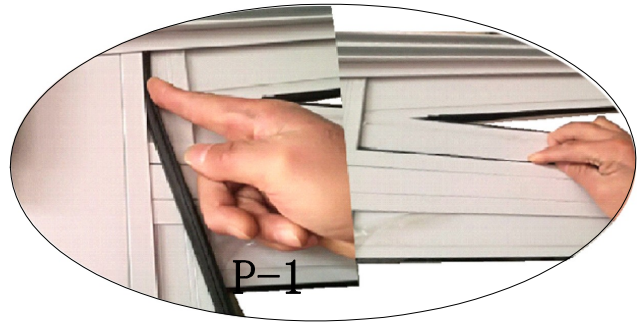
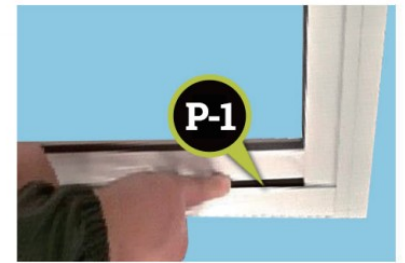
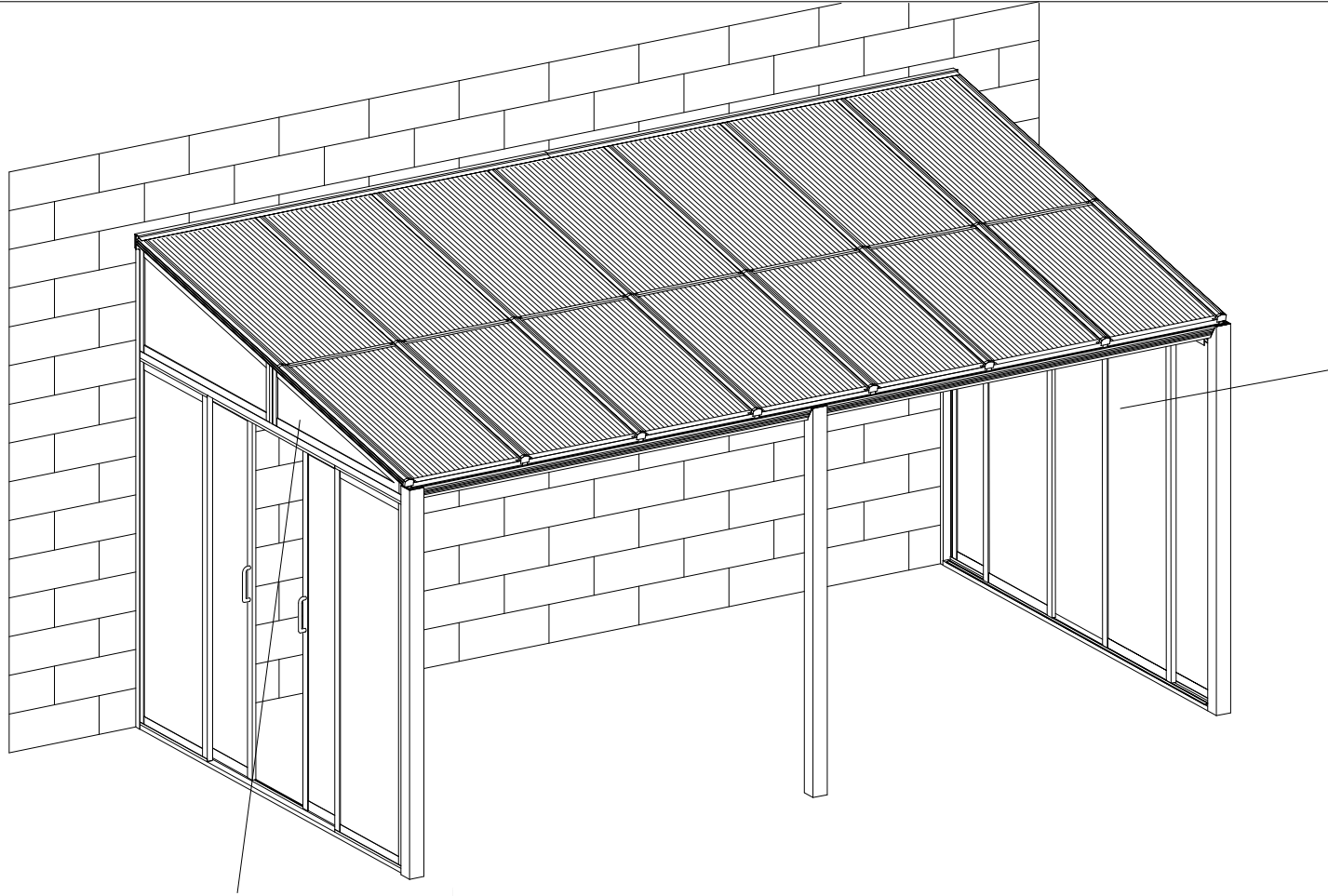


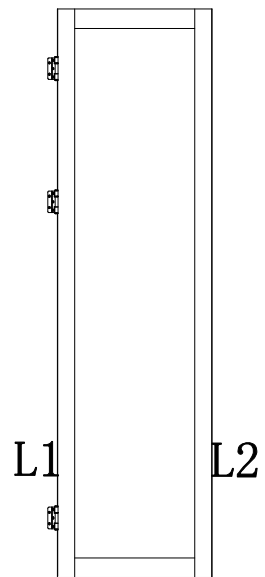
×1

6-1

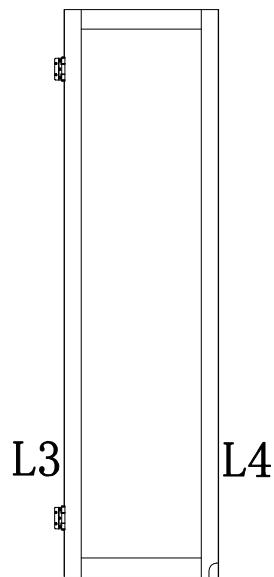


×1

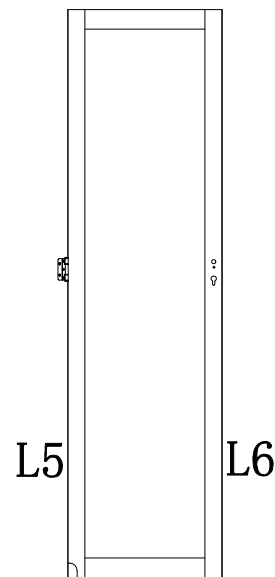




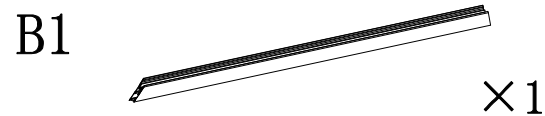
×1



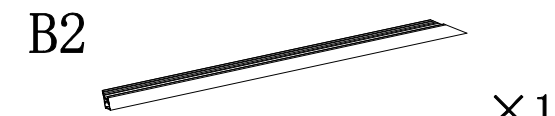
×1



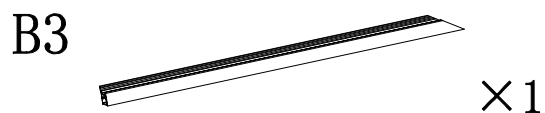
×1



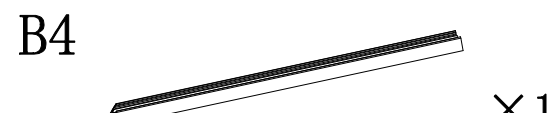
×1



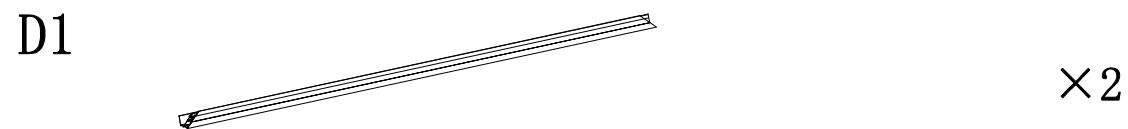
×1



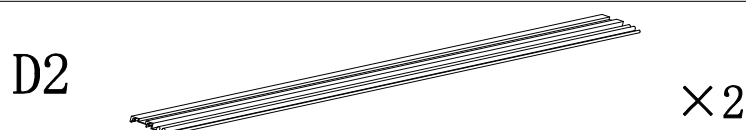
×1



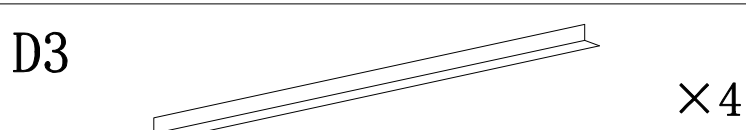
×1



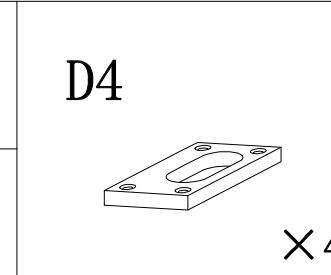
×2



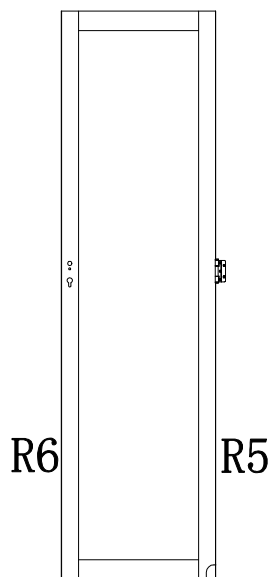
×2



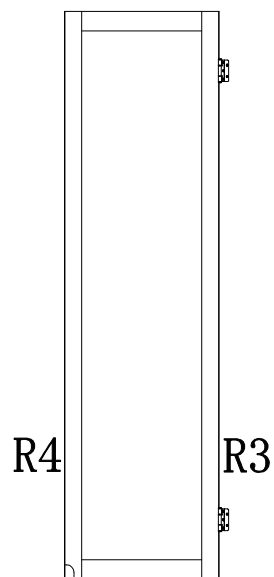
×4



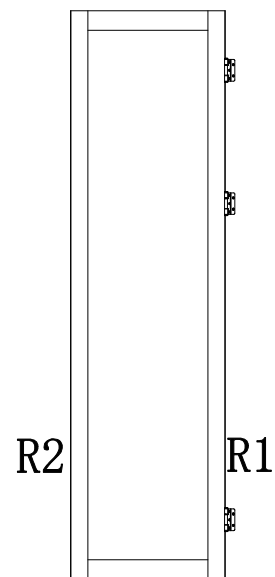
×4



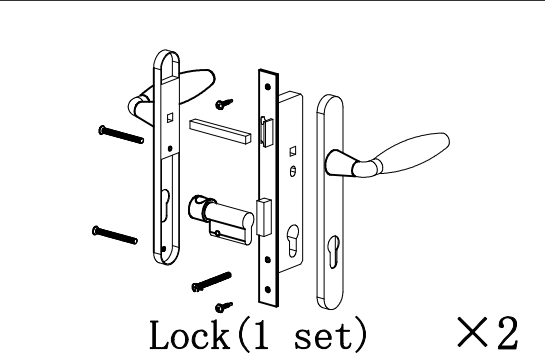
×1



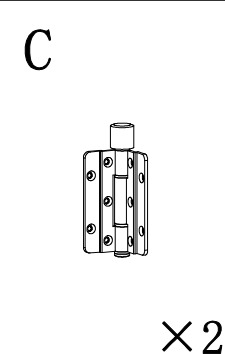
×1



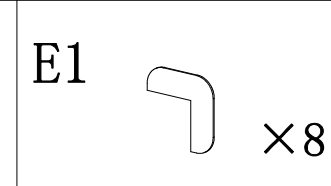
×1



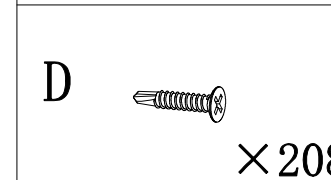
Lock (1 set) ×2



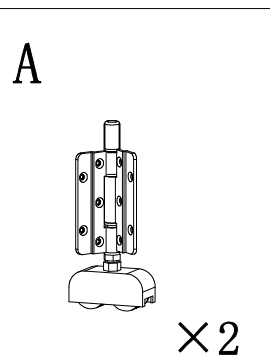
×2



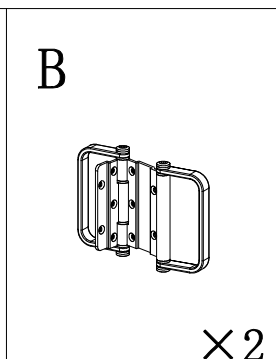
×8



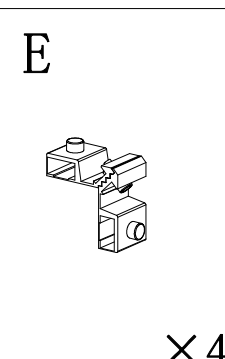
×208



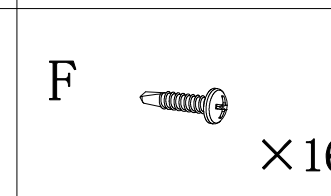
×2



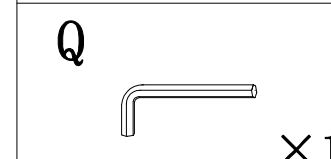
×2



×4

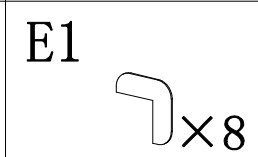
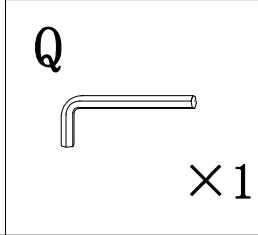
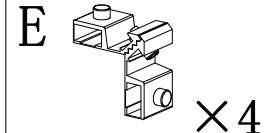
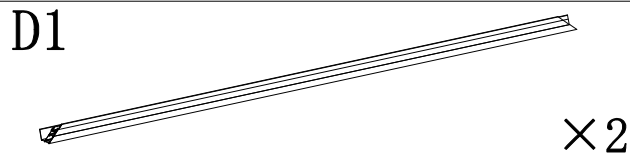
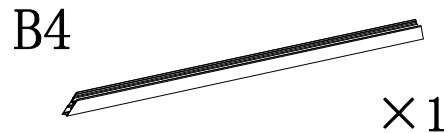
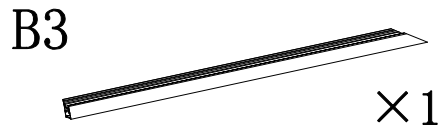
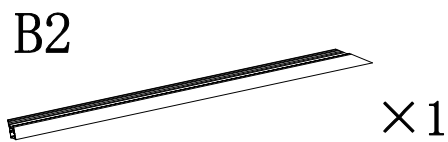
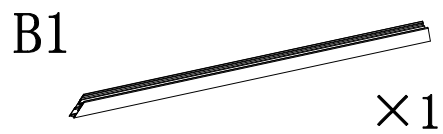
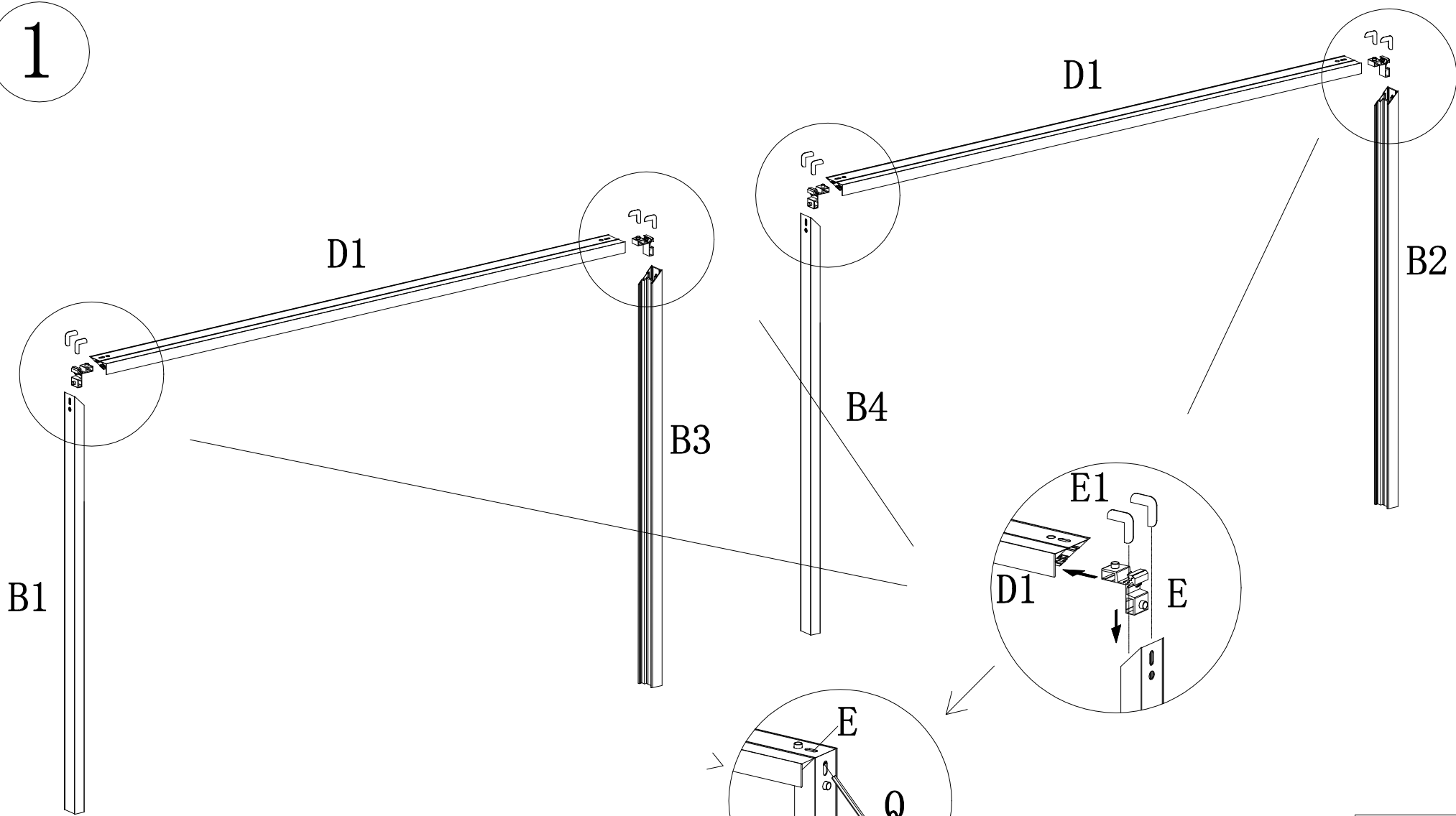


×16

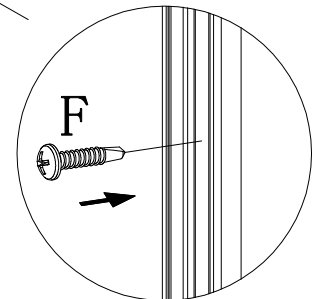
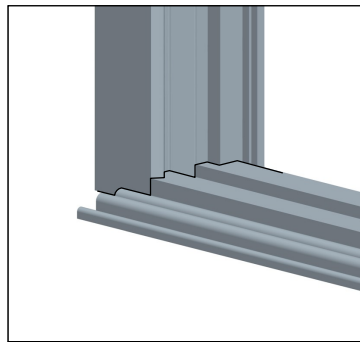
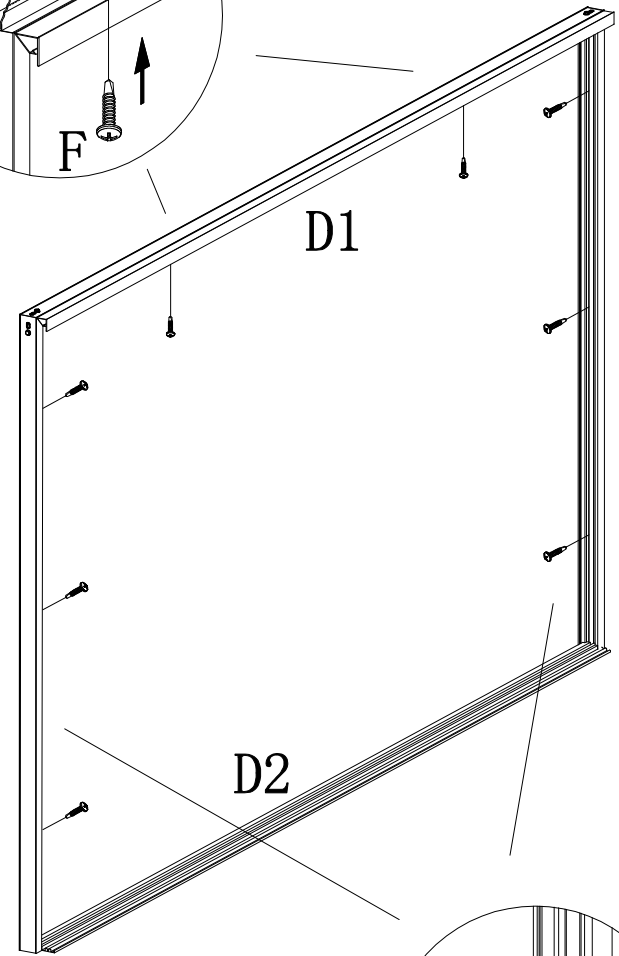
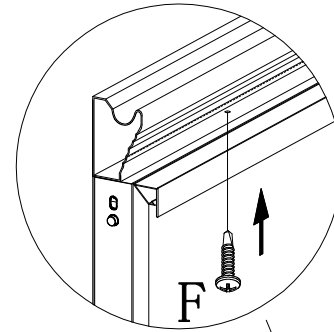
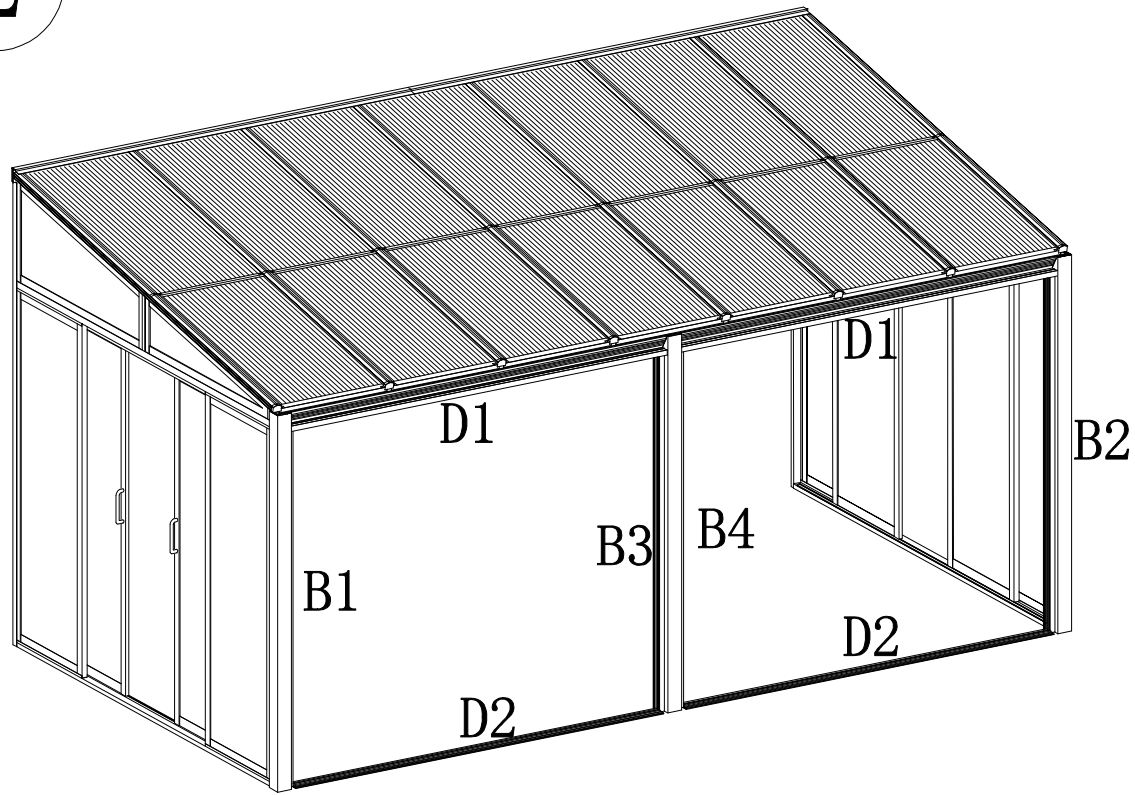


×1

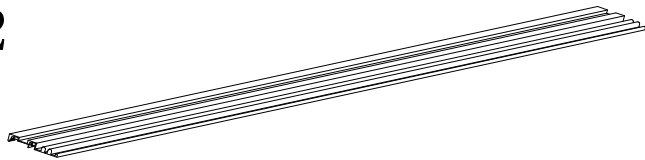
1



2



D2



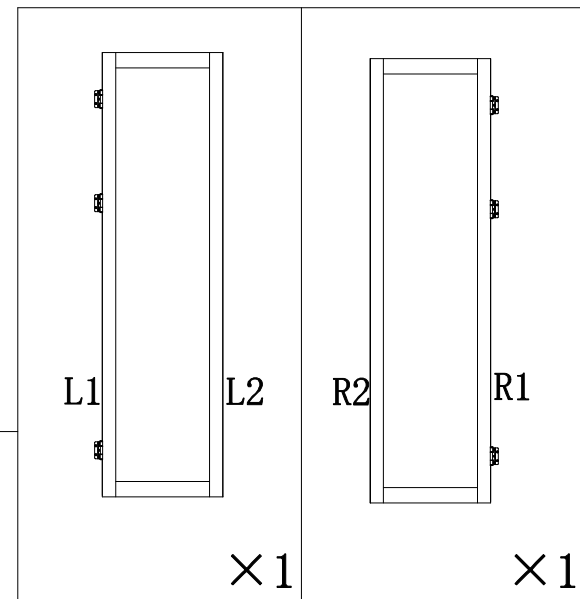
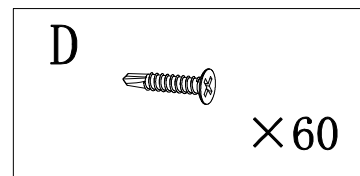
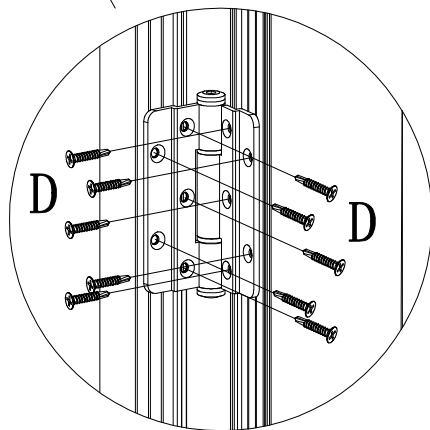
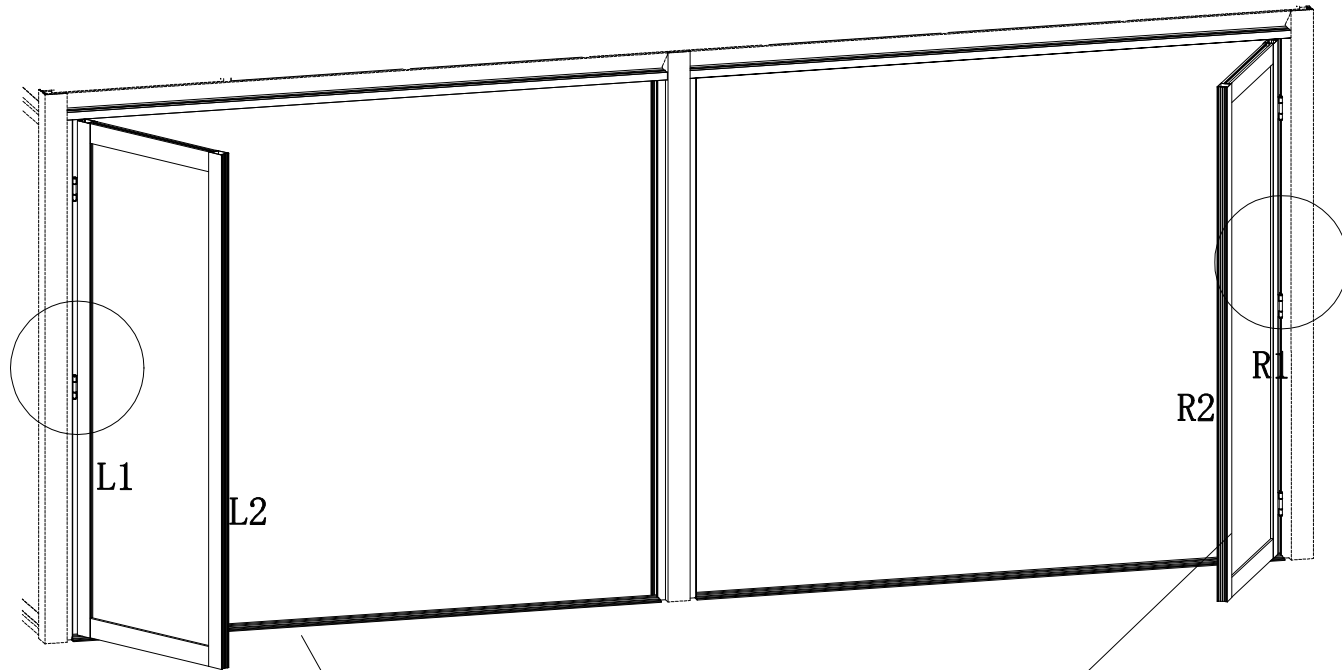
×2

F

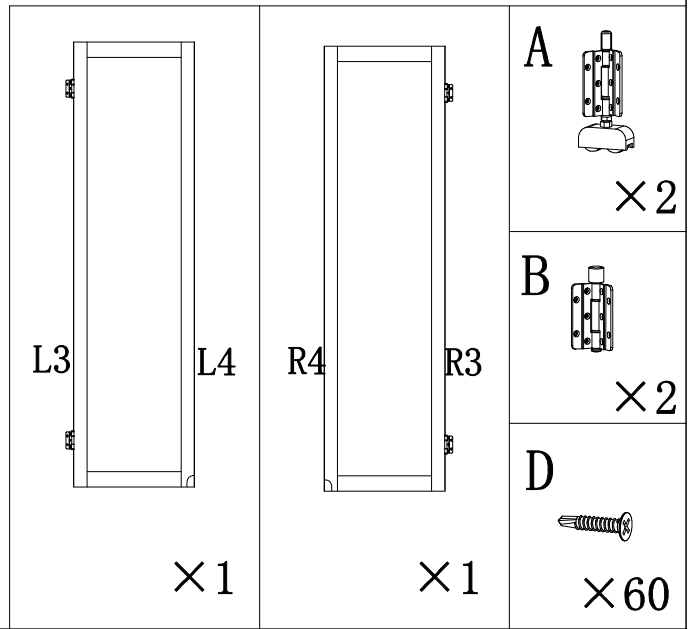
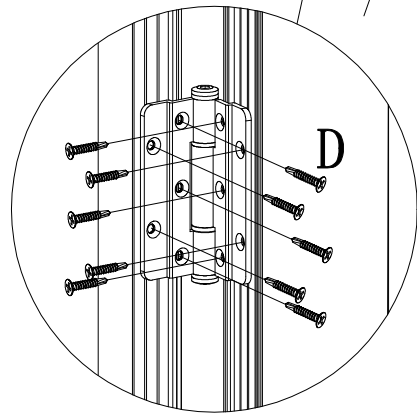
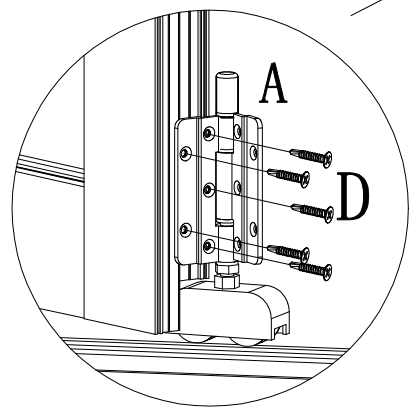
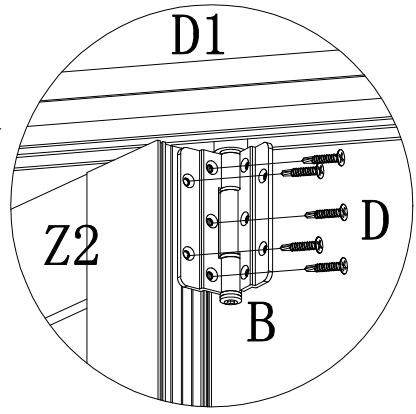
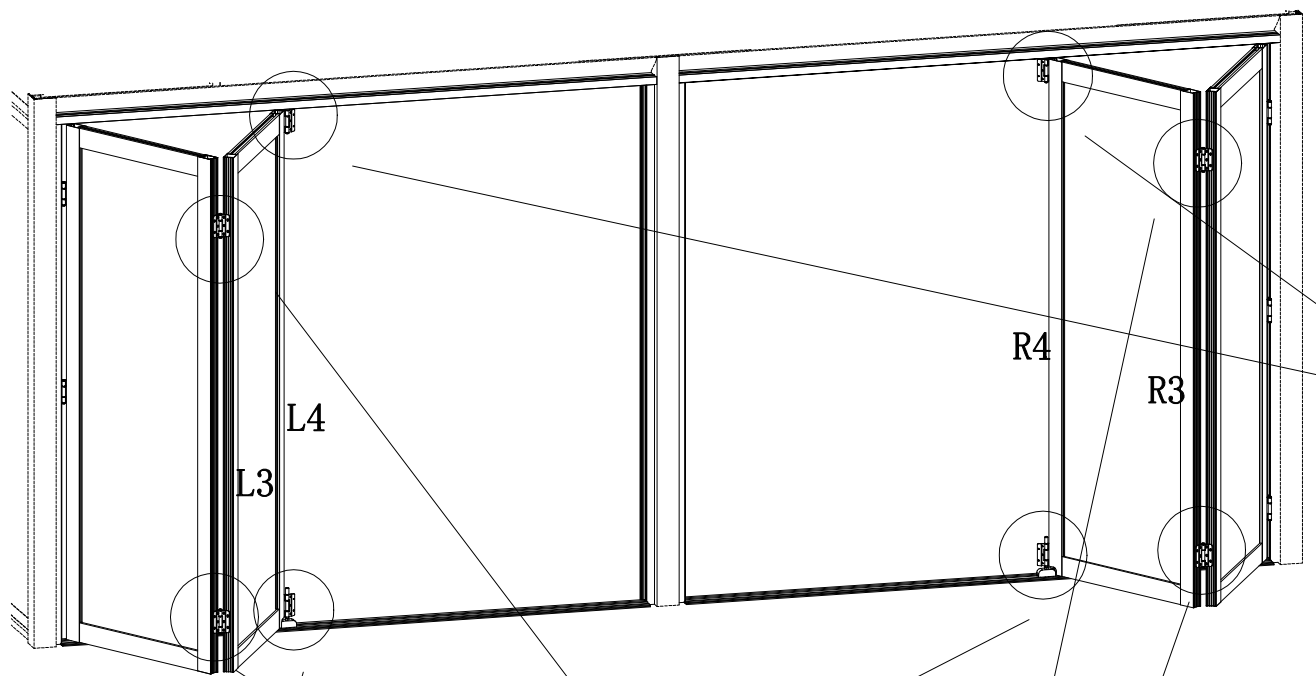


×16

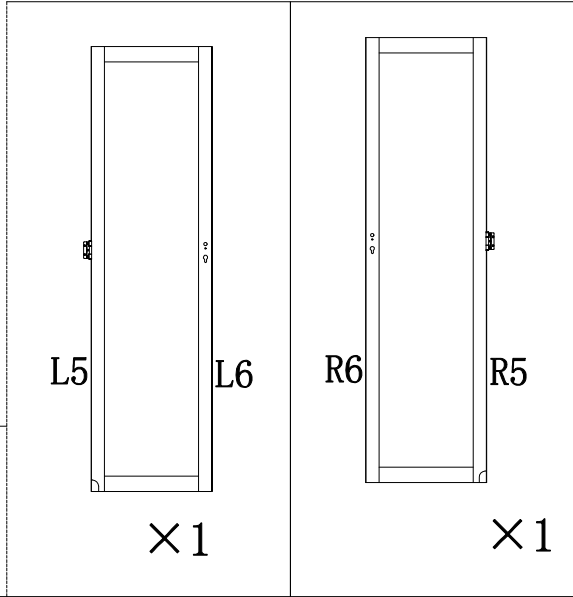
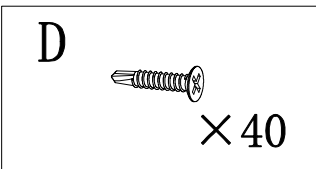
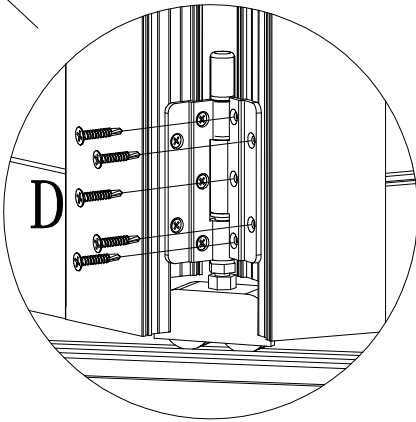
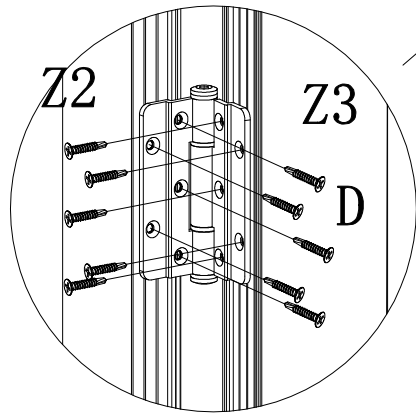
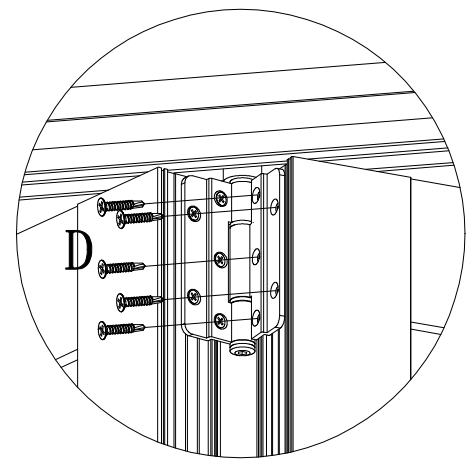
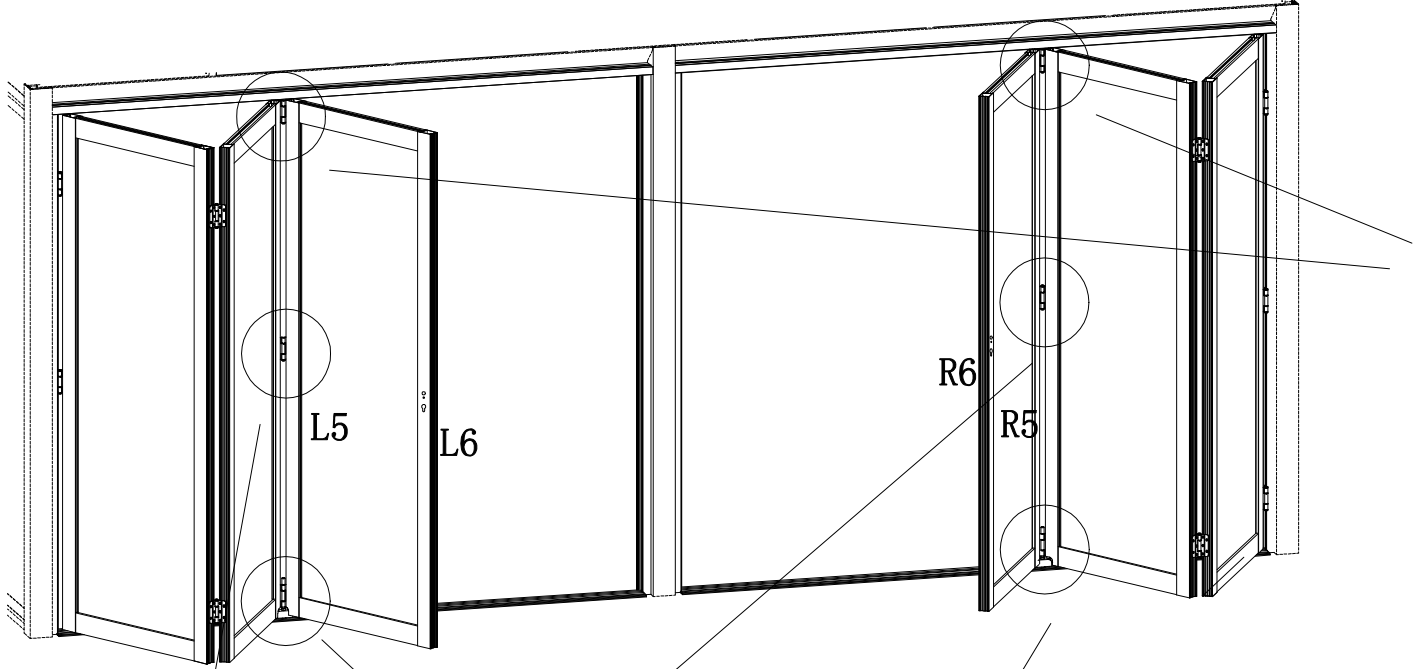
3



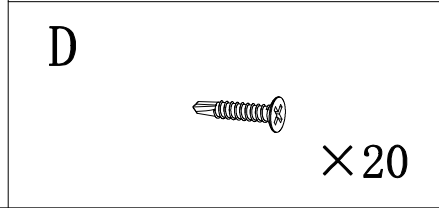
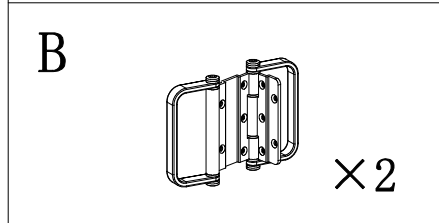
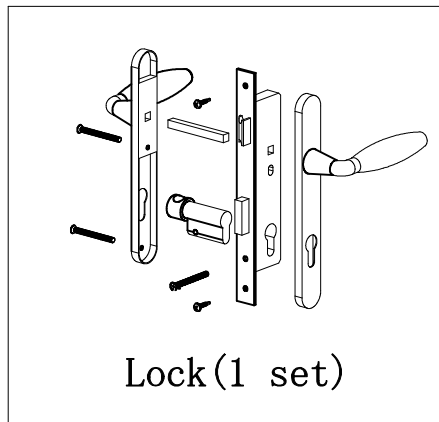
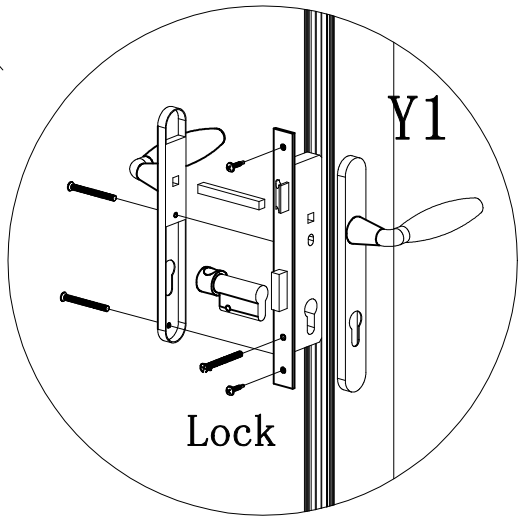
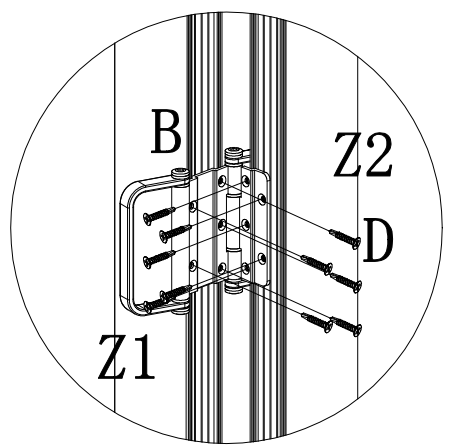
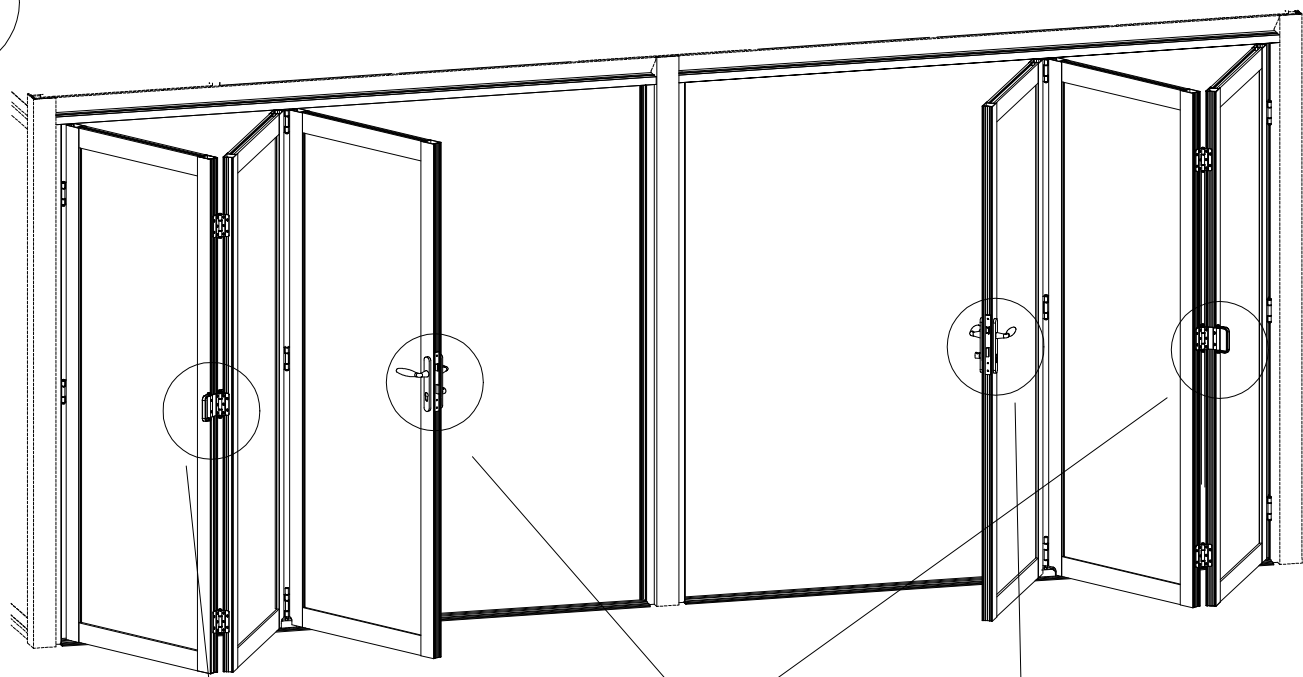
4



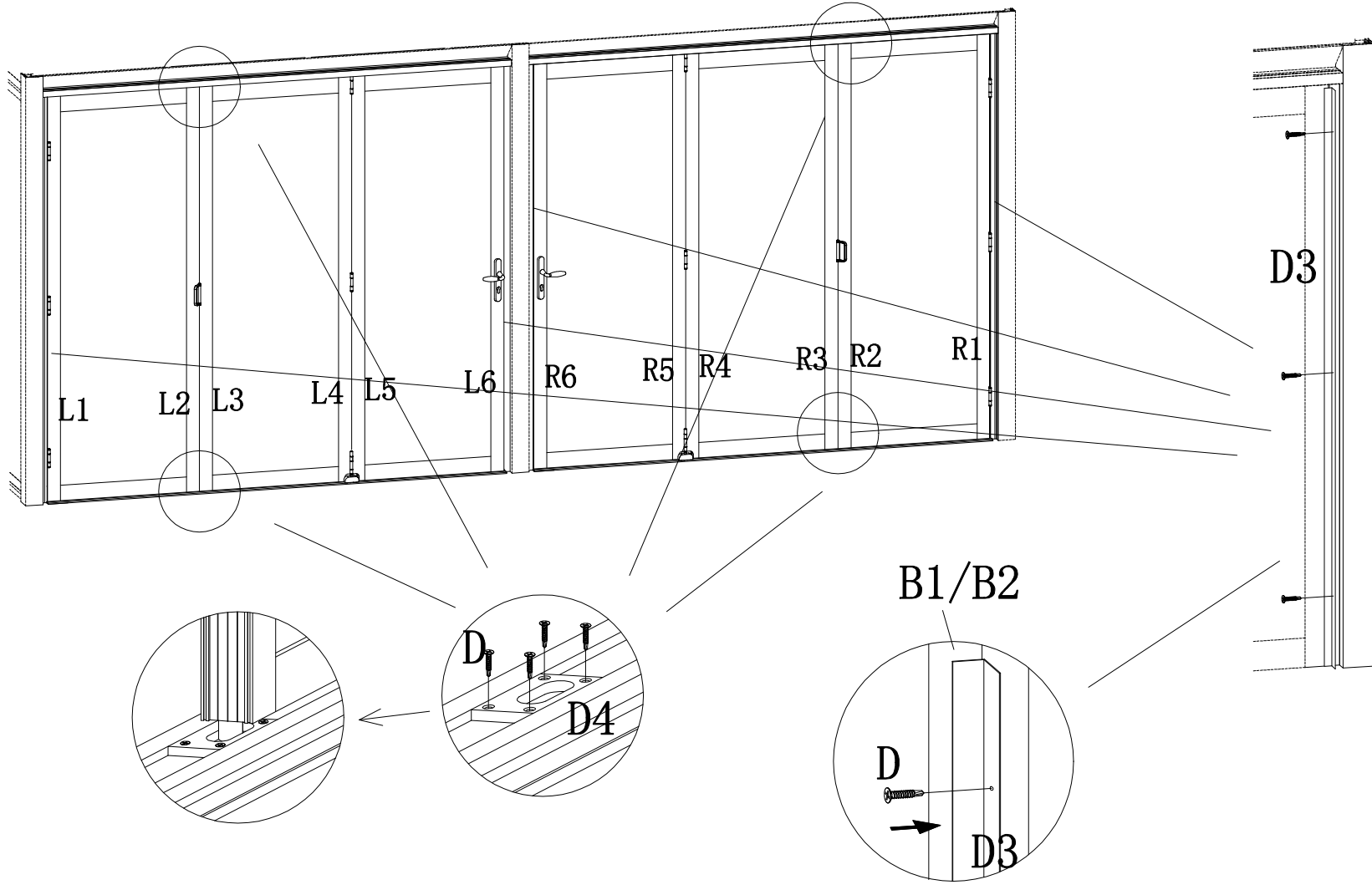
5

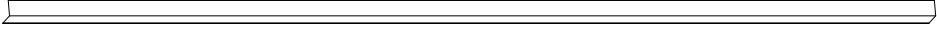


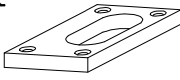
6




7



D3  ×4

D4  ×4

D  ×28