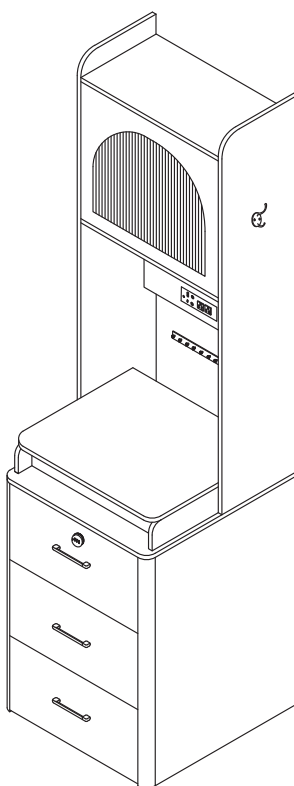


# Product Installation Instructions

扳极版本说  
说明书-和跨镜  
版本一致

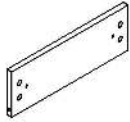


For more information contact our customer service by sending an email

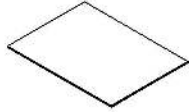
Read before use & keep for future reference.



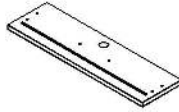
①x1



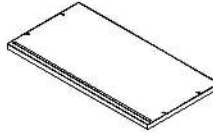
②x2



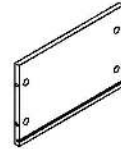
③x1



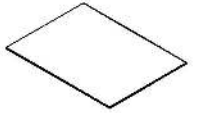
④x1



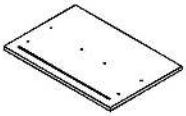
⑤x1



⑥x2



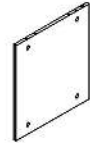
⑦x1



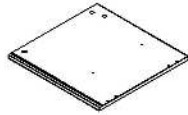
⑧x1



⑨x1



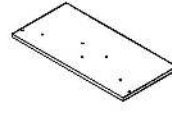
⑩x1



⑪x1



⑫x1



⑭x1



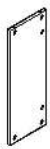
⑮x1



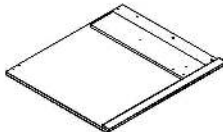
⑯x1



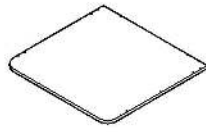
⑰x1



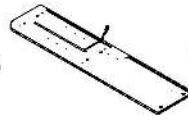
⑱x1



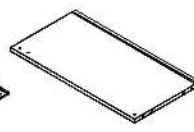
⑲x1



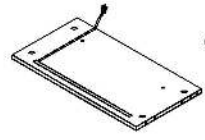
⑳x1



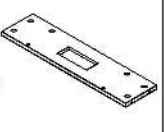
㉑x1



㉒x1



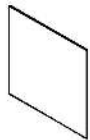
㉓x1



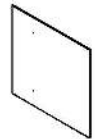
㉔x1



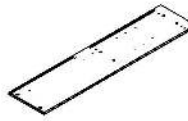
㉕x1



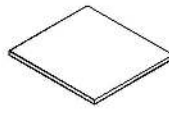
㉖x1



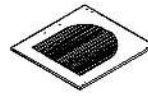
㉗x1



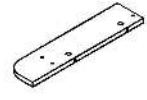
㉘x1



㉙x1



㉚x1



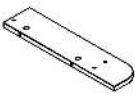
㉛x1



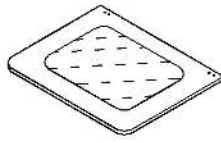
㉜x1



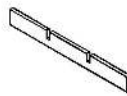
㉝x1



㉞x1



㉟x1



㊱x1



㊲x2



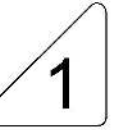
㊳x1



㊴x1



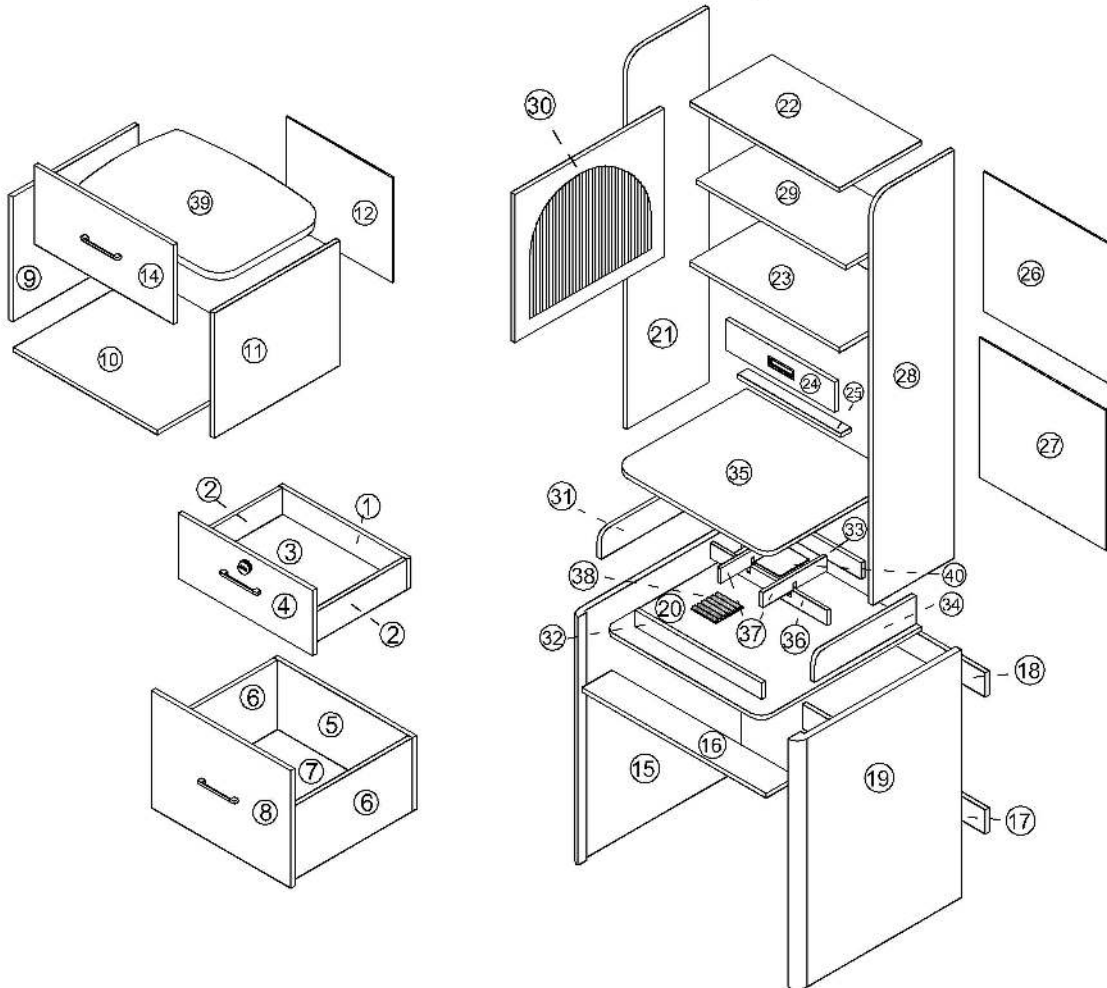
㊵x1

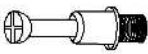

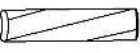

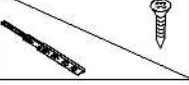

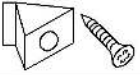



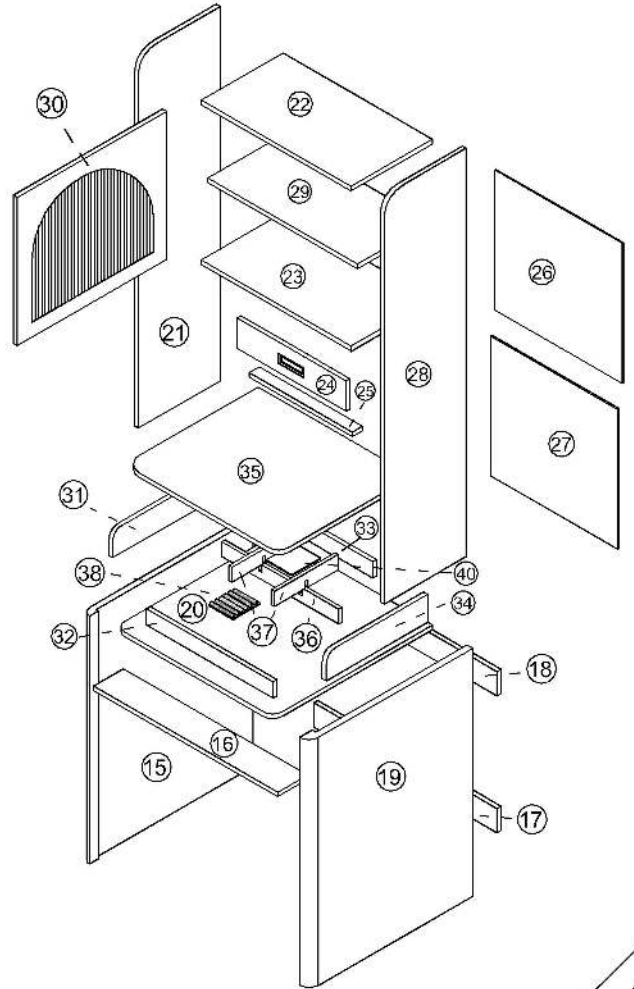
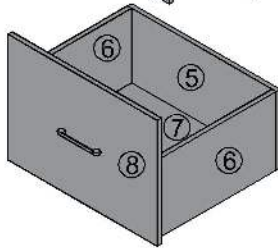
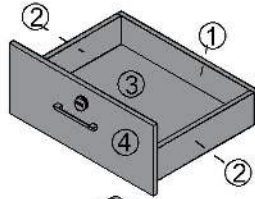
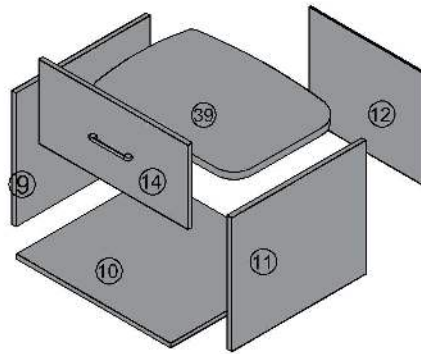
1

<b>A</b>		Two In One Screw (6x28mm)	83pcs +6pcs	<b>J</b>		Non-slip pads	11pcs +3pcs
<b>B</b>		Two In One Nut (10x12mm)	83pcs +6pcs	<b>K</b>		Fixing clip & Screw (3x16mm)	12pcs +2pcs
<b>C</b>		Wood Chipping (6x30mm)	24pcs +4pcs	<b>L</b>		Hook & Screw (3.5x12mm)	4pcs +1pcs <b>2pcs</b>
<b>D</b>		Handle & Screw (4x16mm)	8pcs +2pcs <b>4pcs</b>	<b>M</b>		Laminate Support Nail	4pcs +1pcs
<b>E</b>		Guide & Screw (3.5x12mm)	20pcs +4pcs <b>4pcs</b>	<b>O</b>		Crystal Hook & Screw (4x16mm)	2pcs +1pcs <b>1pcs</b>
<b>F</b>		Magnetic Attraction & Screw (3x10mm)	2pcs +1pcs <b>1pcs</b>	<b>P</b>		Password Locks & Tools	1pcs
<b>G</b>		Iron Sheet & Screw (3x10mm)	2pcs +1pcs <b>1pcs</b>	<b>Q</b>	<b>Anti Fall Hardware</b> 		
<b>H</b>		Cabinet Door Hinge & Screw (3.5x10mm)	8pcs +2pcs <b>4pcs</b>				
<b>I</b>		Power Socket & Screw (3x10mm)	2pcs +1pcs <b>1pcs</b>				
1pcs				Double-head screwdriver, use as required			
							<b>2</b>

# Product structure decomposition

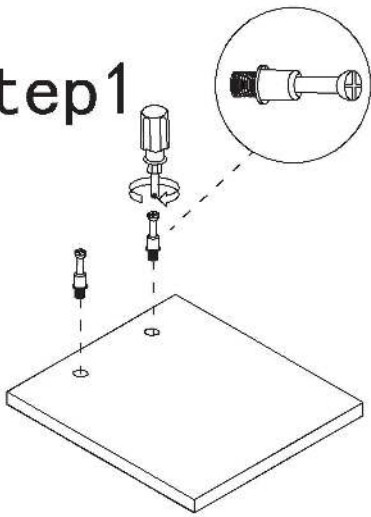


<b>A</b>		29pcs
<b>B</b>		29pcs
<b>C</b>		8pcs
<b>D</b>		6pcs 3pcs
<b>E</b>		14pcs 4pcs
<b>J</b>		4pcs
<b>K</b>		4pcs
<b>P</b>		1pcs

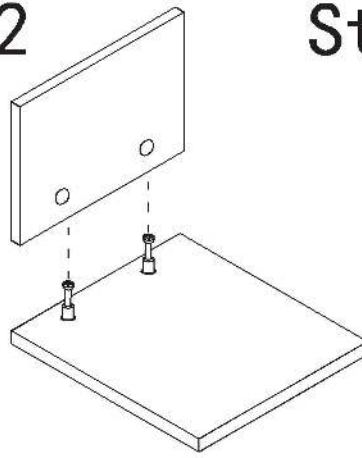


# Use parts ① and ②

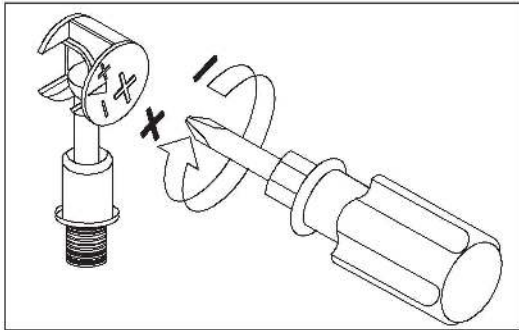
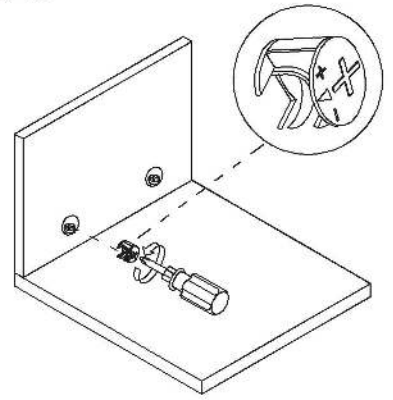
Step1



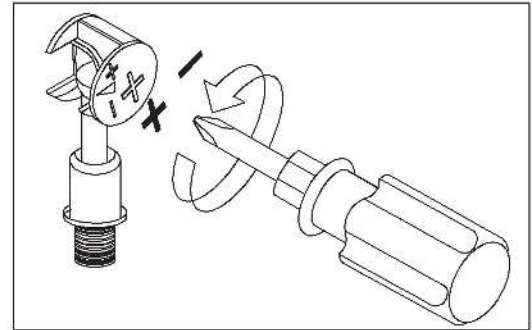
Step2



Step3

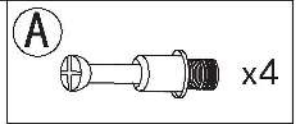
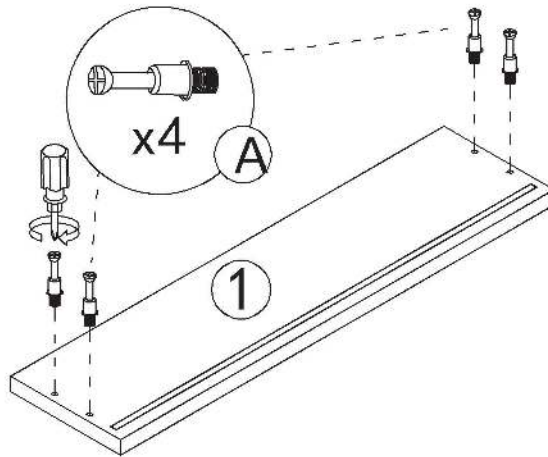


Use a screwdriver to lock in the direction of the "+" sign

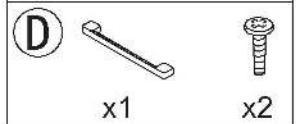
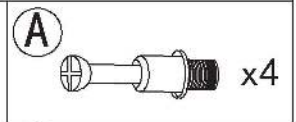
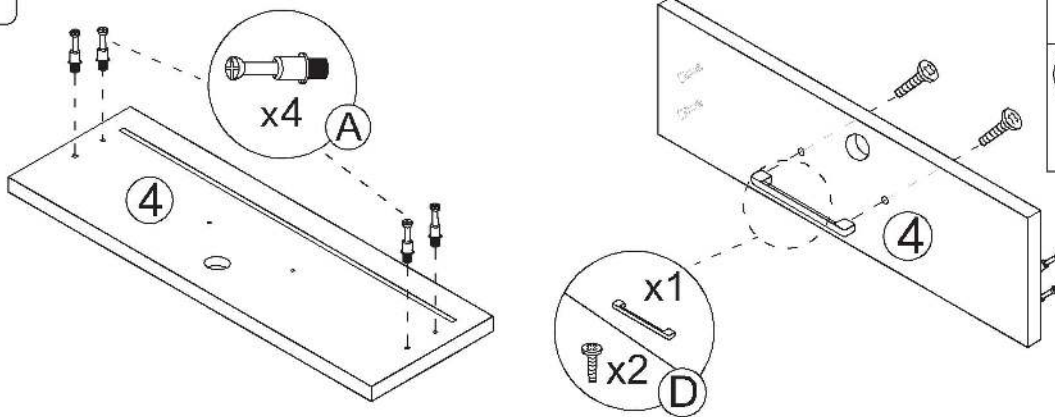


Disassemble along the direction of "-" sign

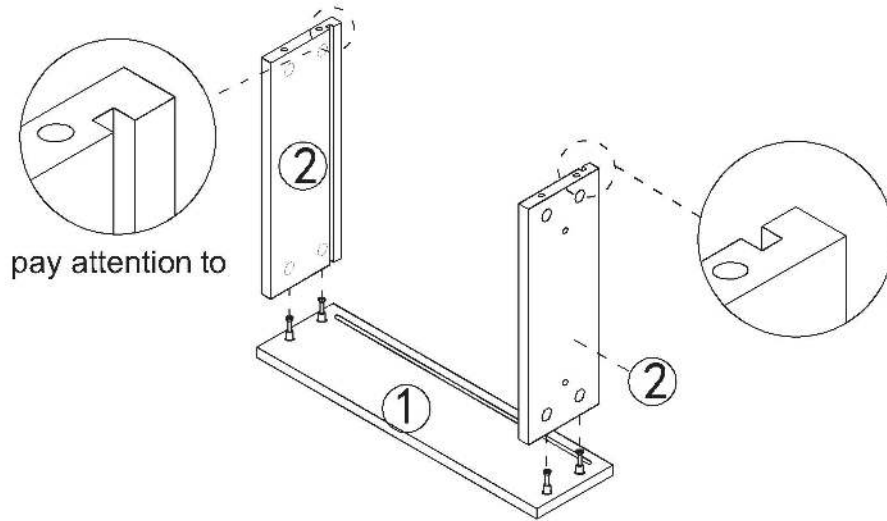
Step 1



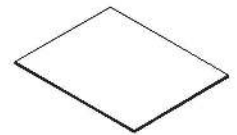
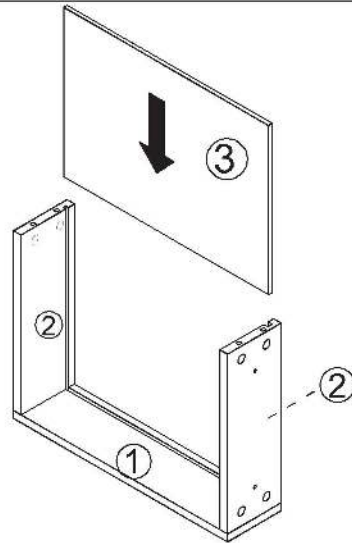
Step 2



Step 3



Step 4

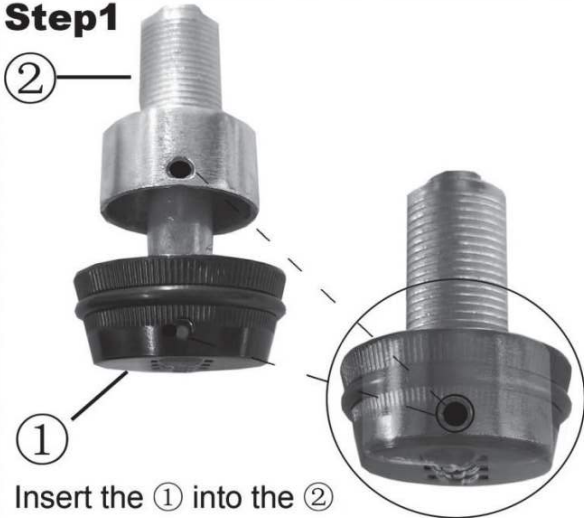


③ x1

## The decomposition of the lock

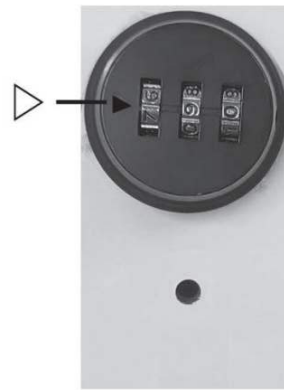


### Step1



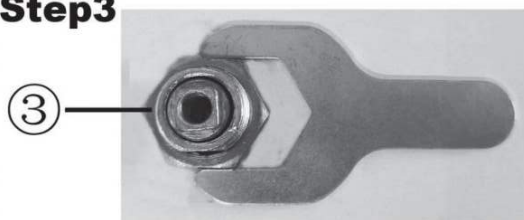
Insert the ① into the ②  
Align the two holes

### Step2



Insert the lock  
Note the triangle icon is on the left

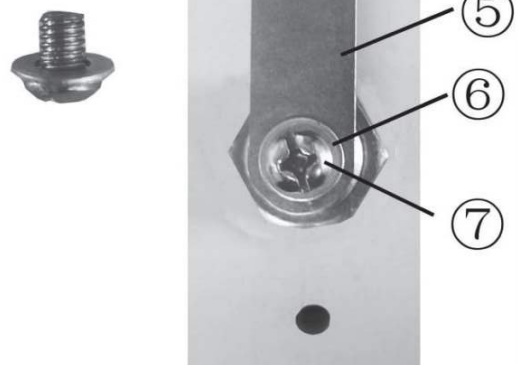
### Step3



Scramble the password before screwing  
Tighten part ③ with a wrench.

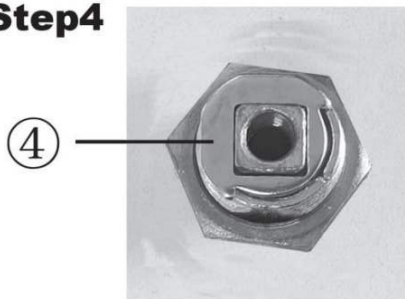
### Step5

First combine ⑥⑦  
to facilitate installation



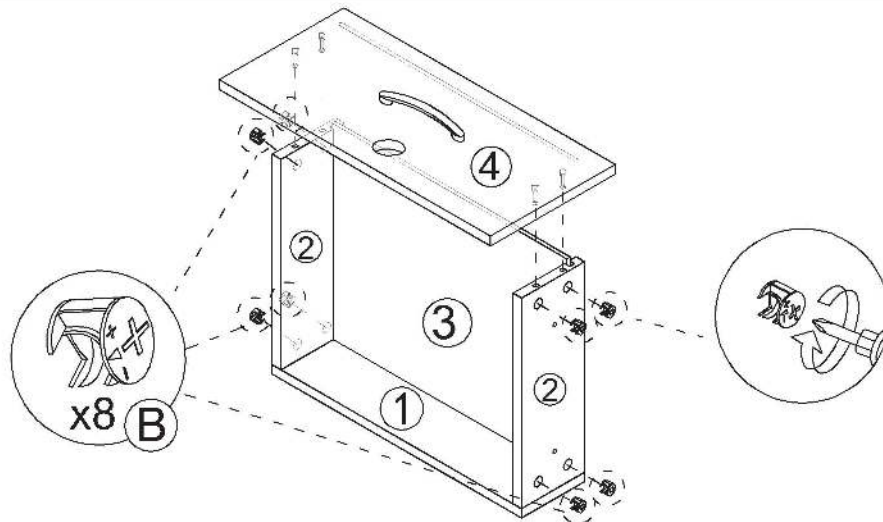
Place the parts in the order of ⑤⑥⑦,  
tighten them with a screwdriver.

### Step4

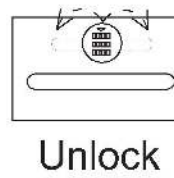
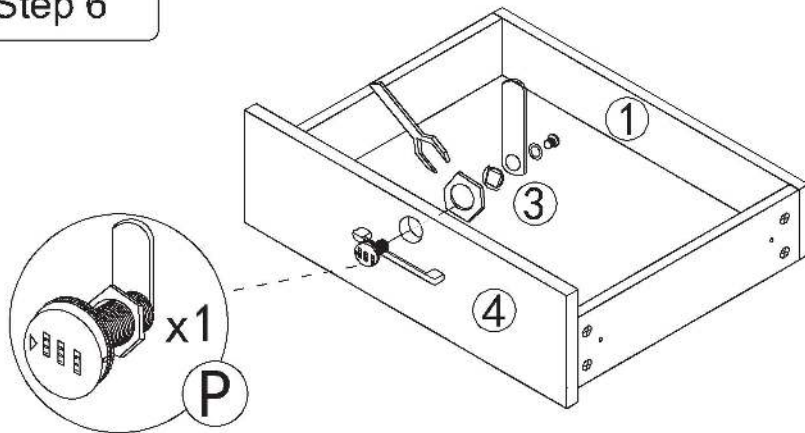


Insert part ④ Rough side down

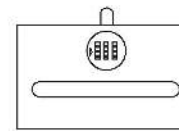
Step 5



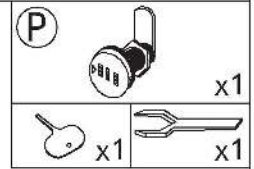
Step 6



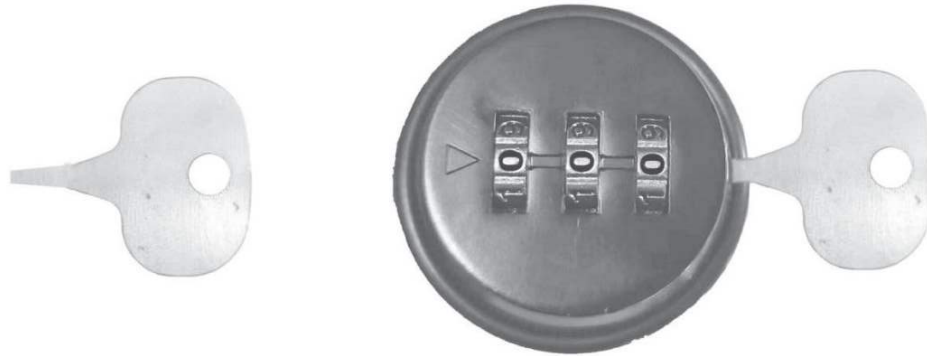
Unlock



lock



## How to Change the Password?



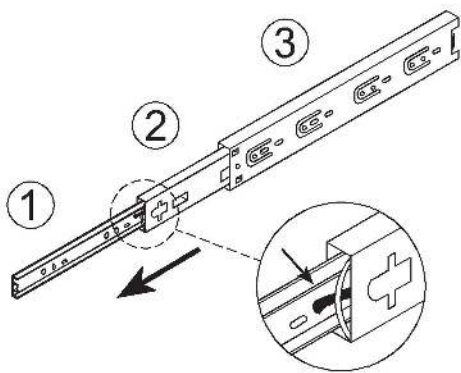
The initial password is 000.

- (1). Open the drawer.
- (2). The reset password hole is on the side of the lock.
- (3). When changing the password, use a stick to press the top, and then change the password.

TIPS : The lock password can only be set once, please use your book or cell phone to write down to the new password after setting.

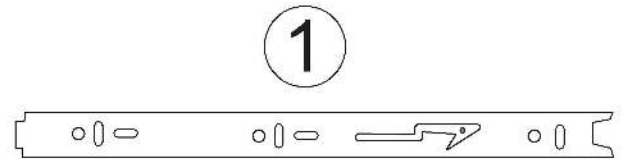
Step 7

Drawer rail breakdown diagram



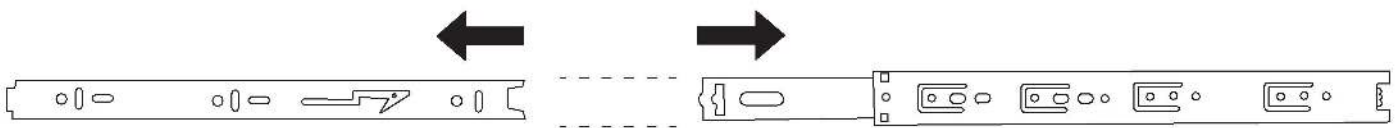
Step 1 : Pull the rails apart

Step 2 : Push the nylon buckle outward ①



②

③

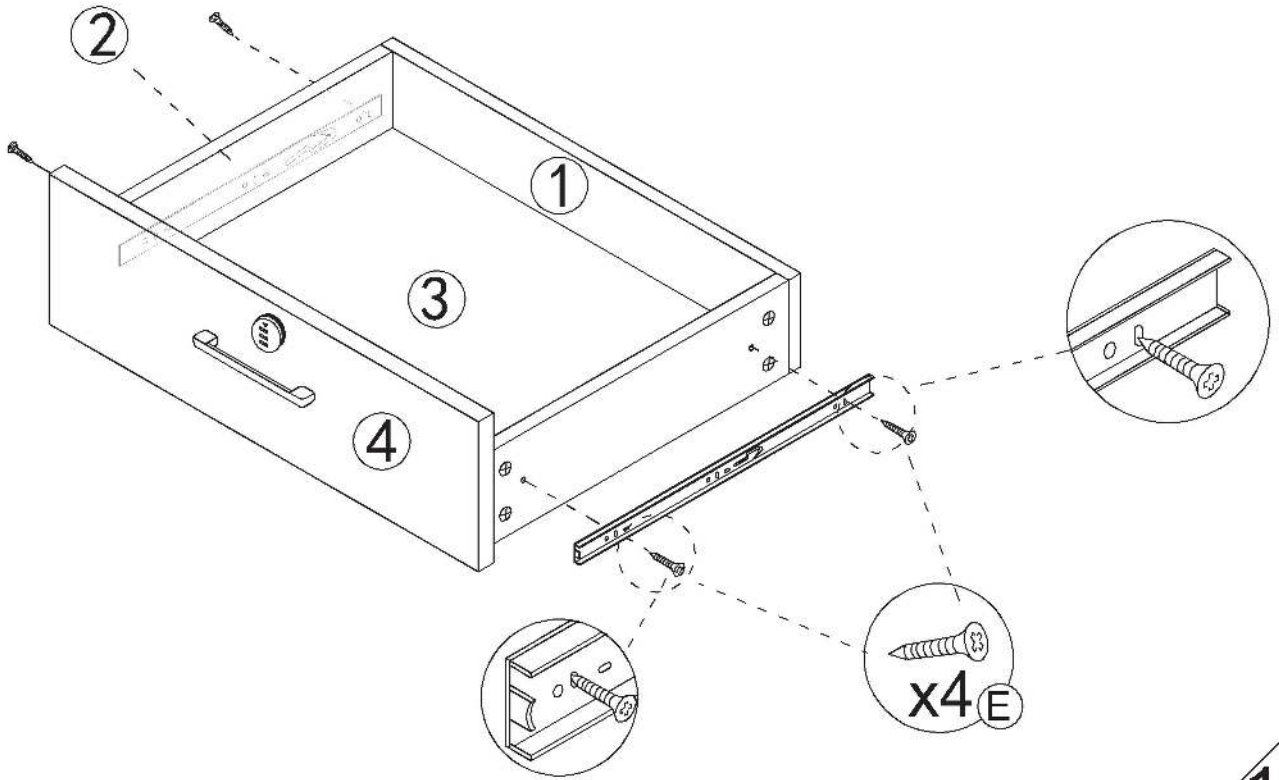
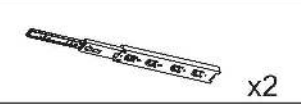
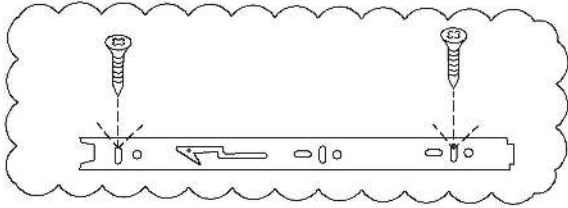


①

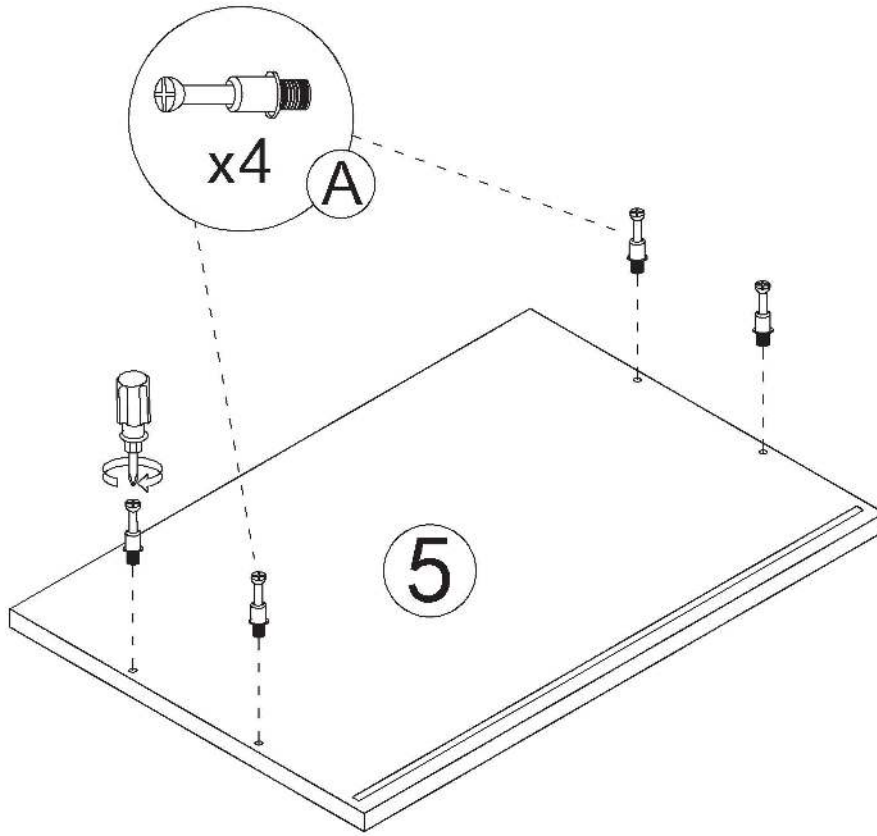
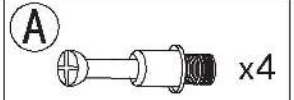
②

③

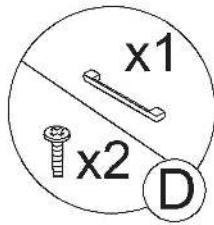
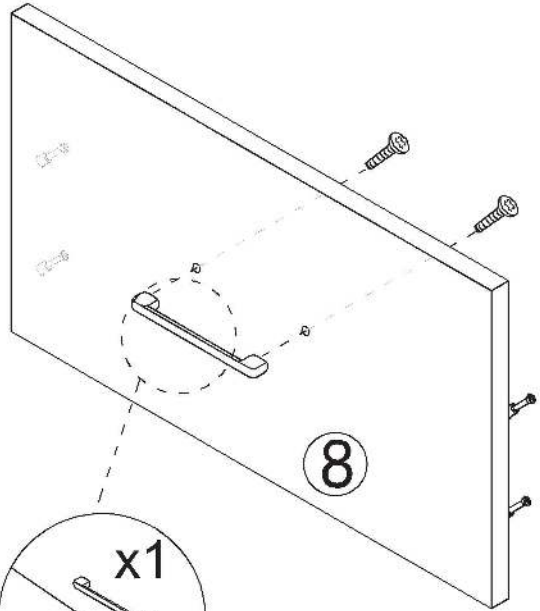
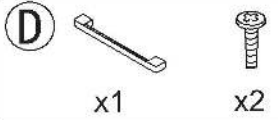
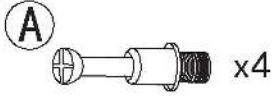
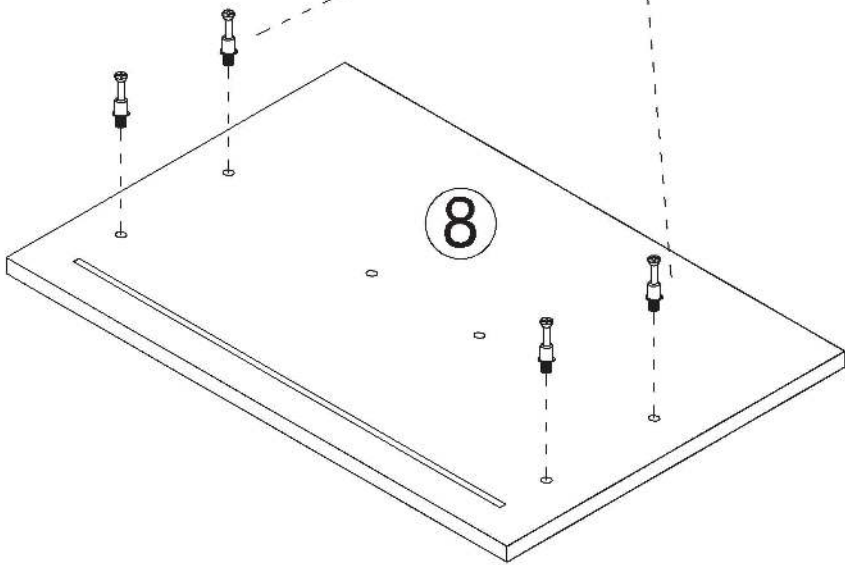
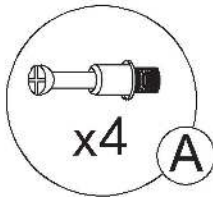
Step 8



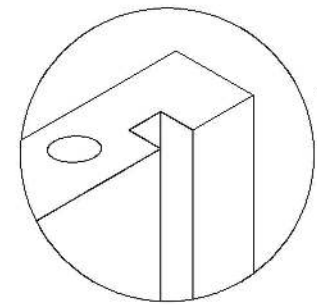
Step 9



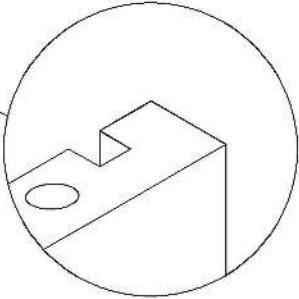
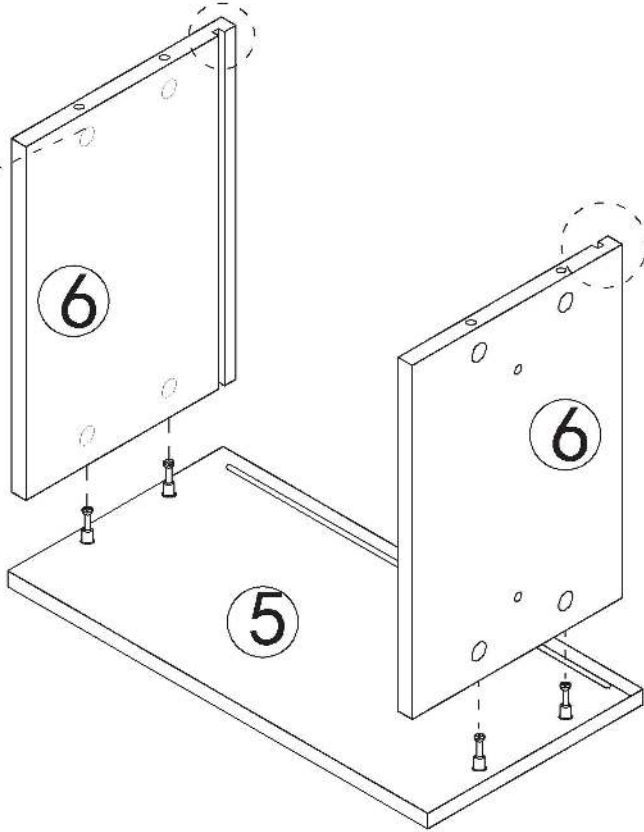
Step 10



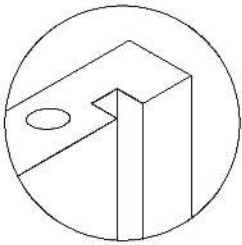
Step 11



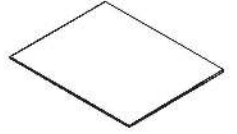
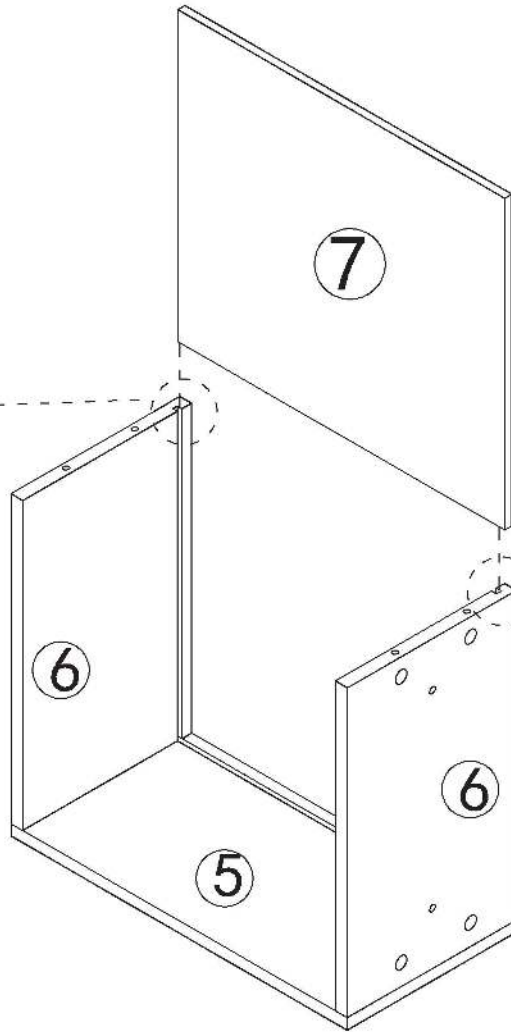
pay attention to



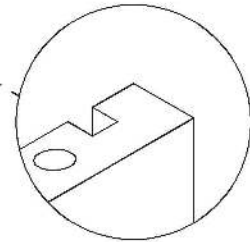
Step 12



pay attention to

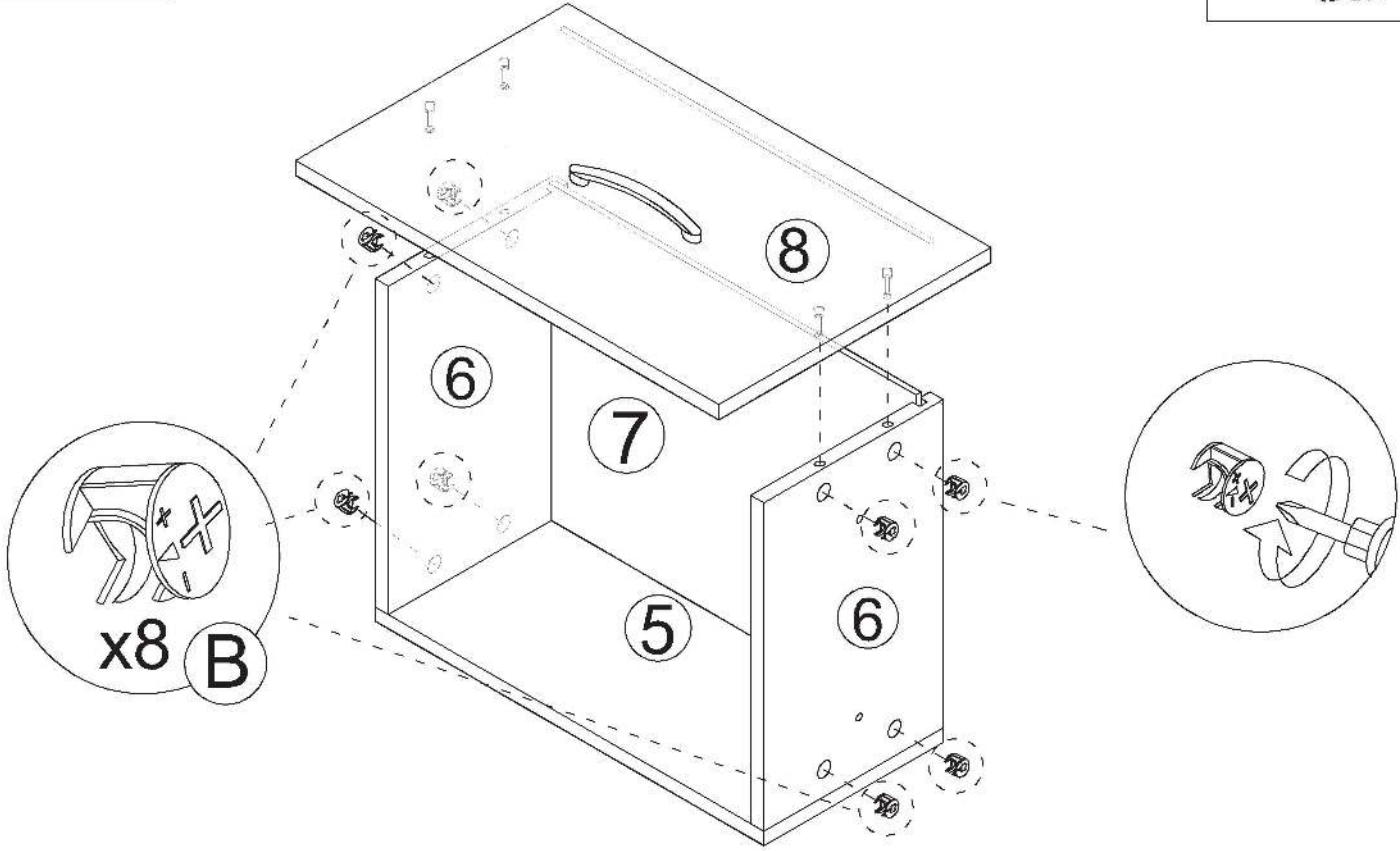


7 x1

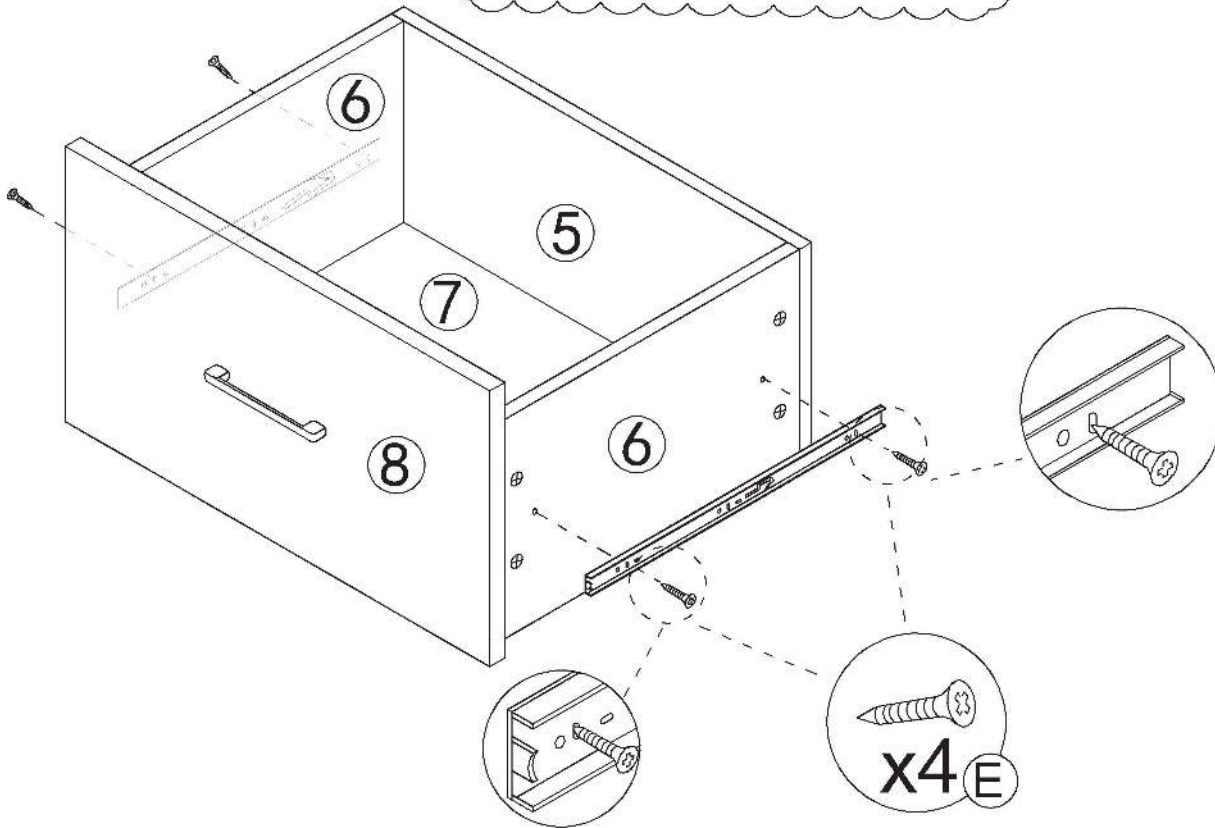
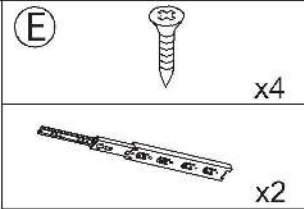
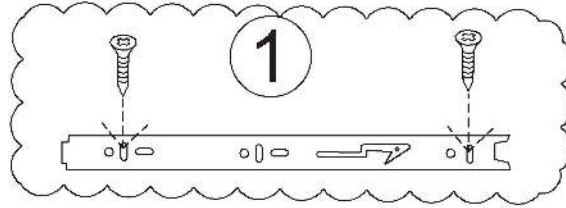


Step 13

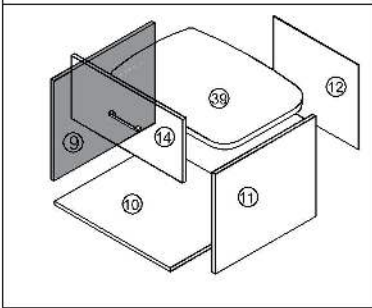
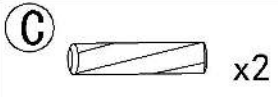
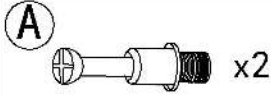
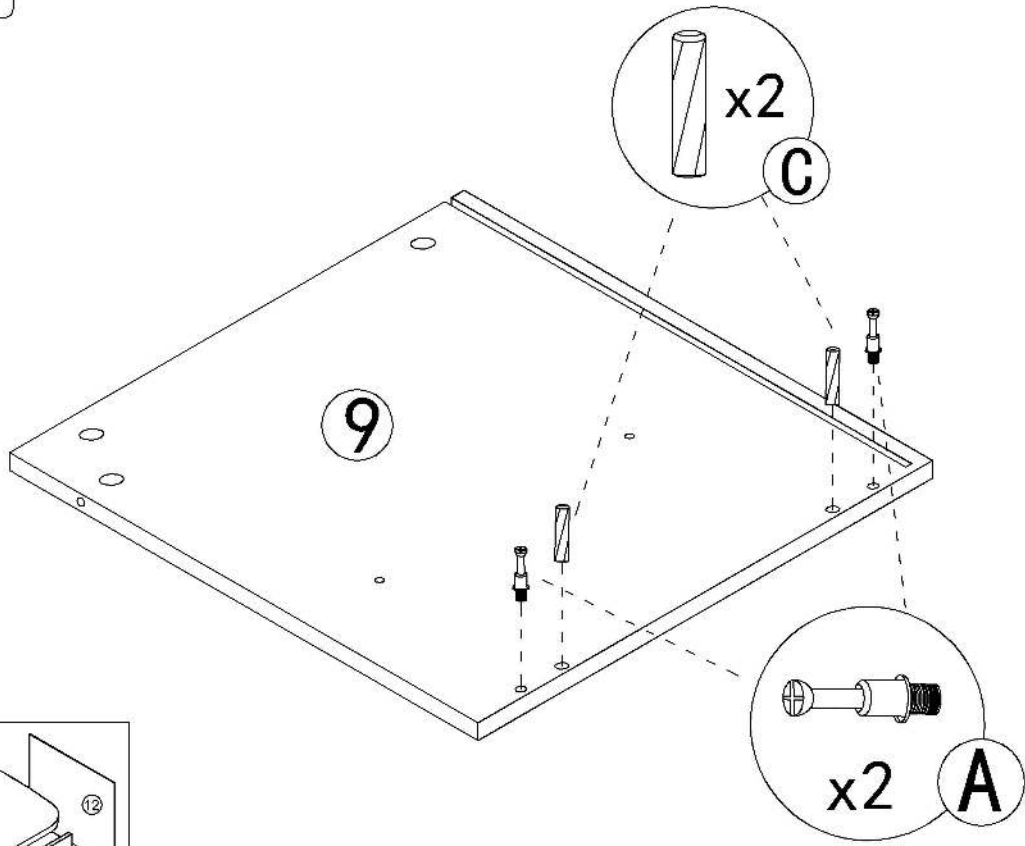
**B**  x8



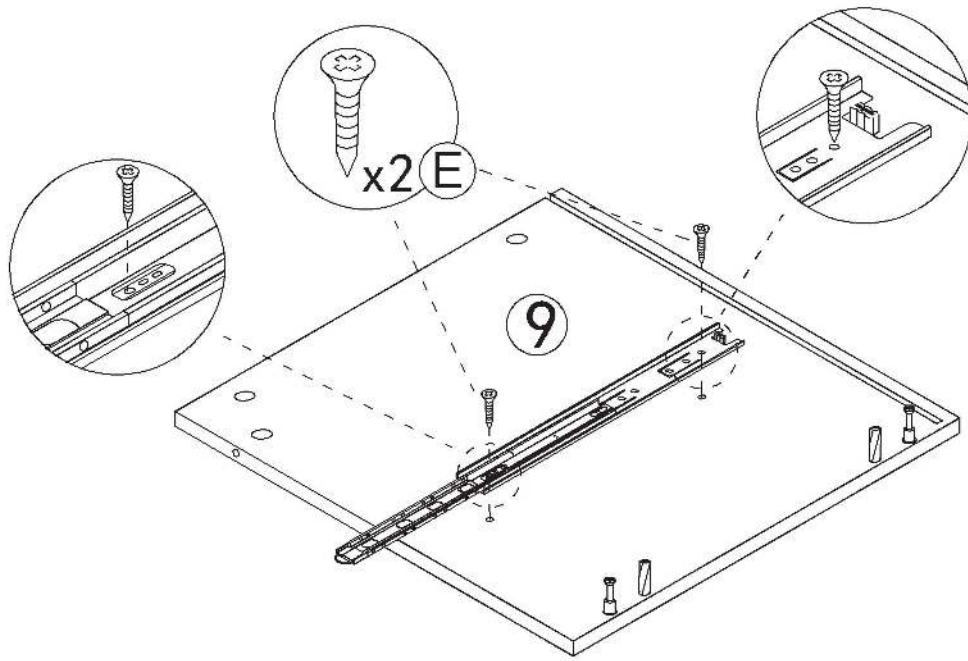
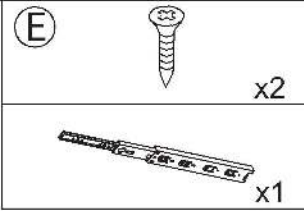
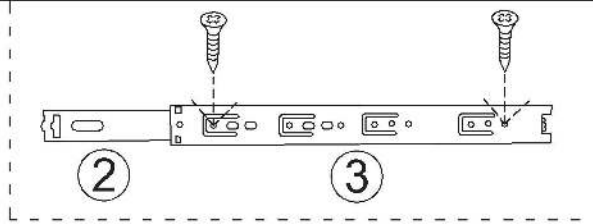
Step 14



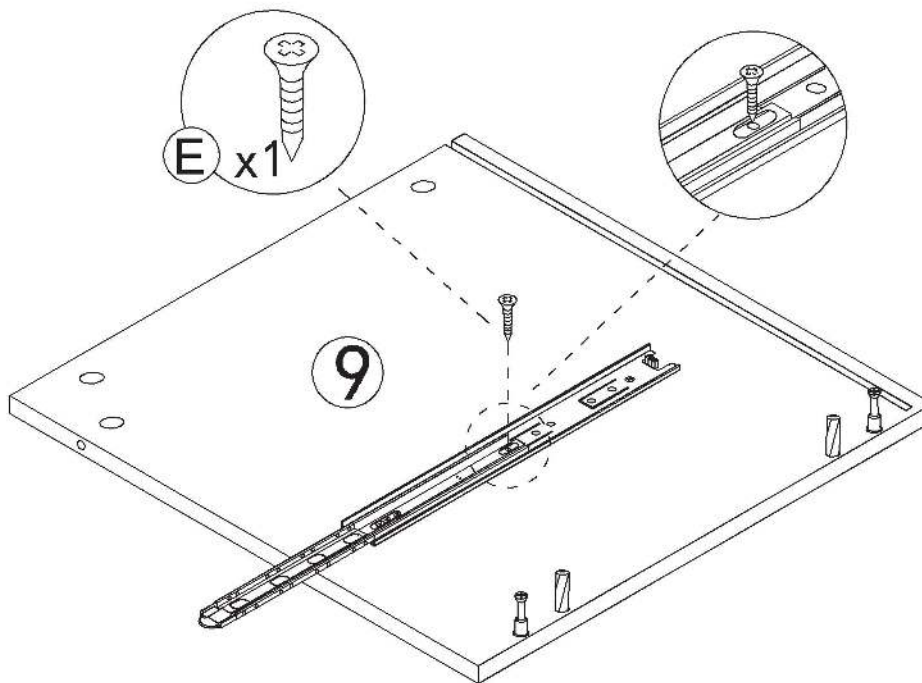
Step 15



Step 16

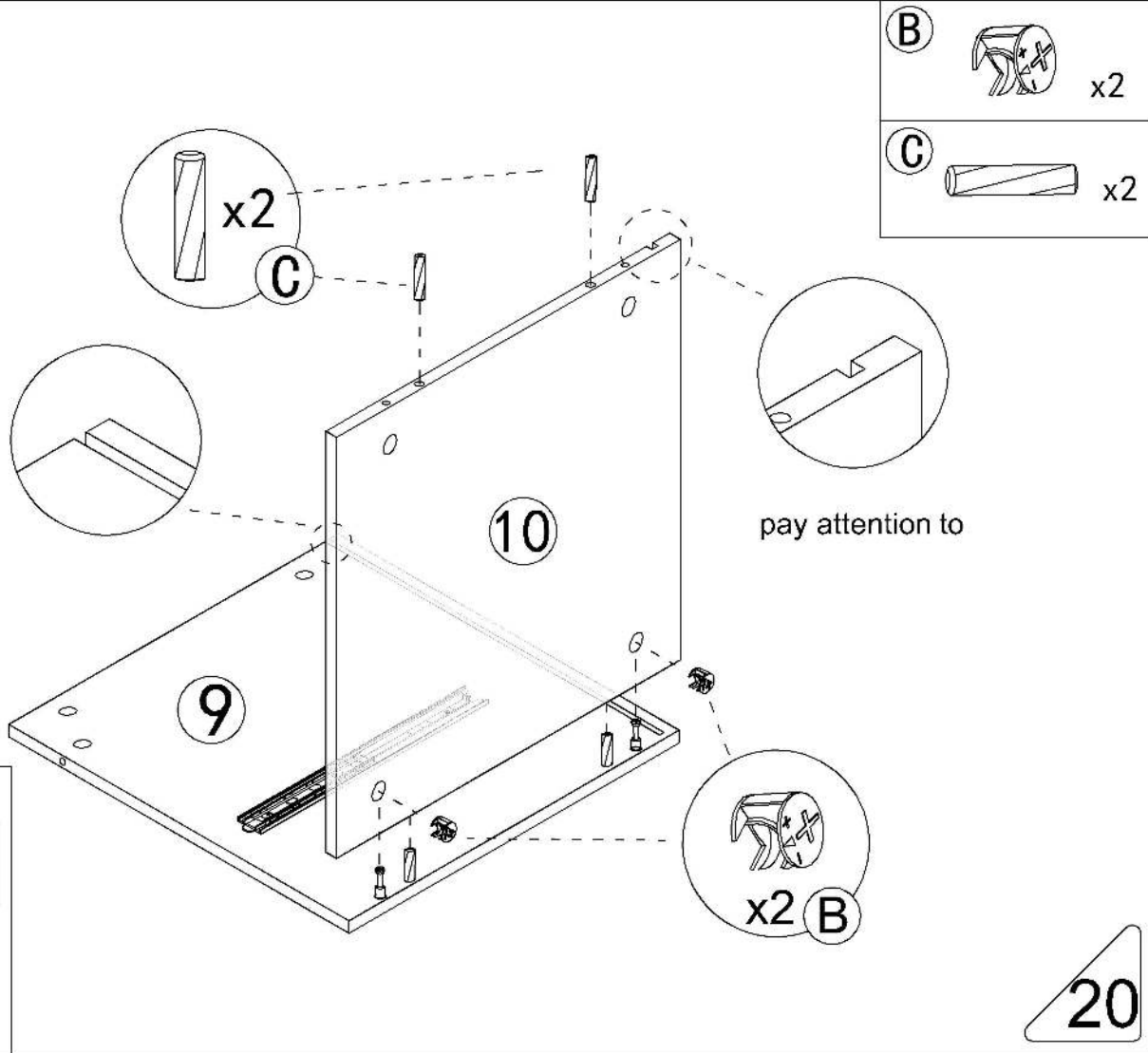


Step 17

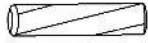



This hole is for strengthening fixed hole customers can choose to install according to their needs.


Step 18

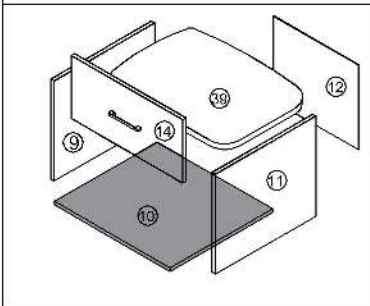


**B**  x2

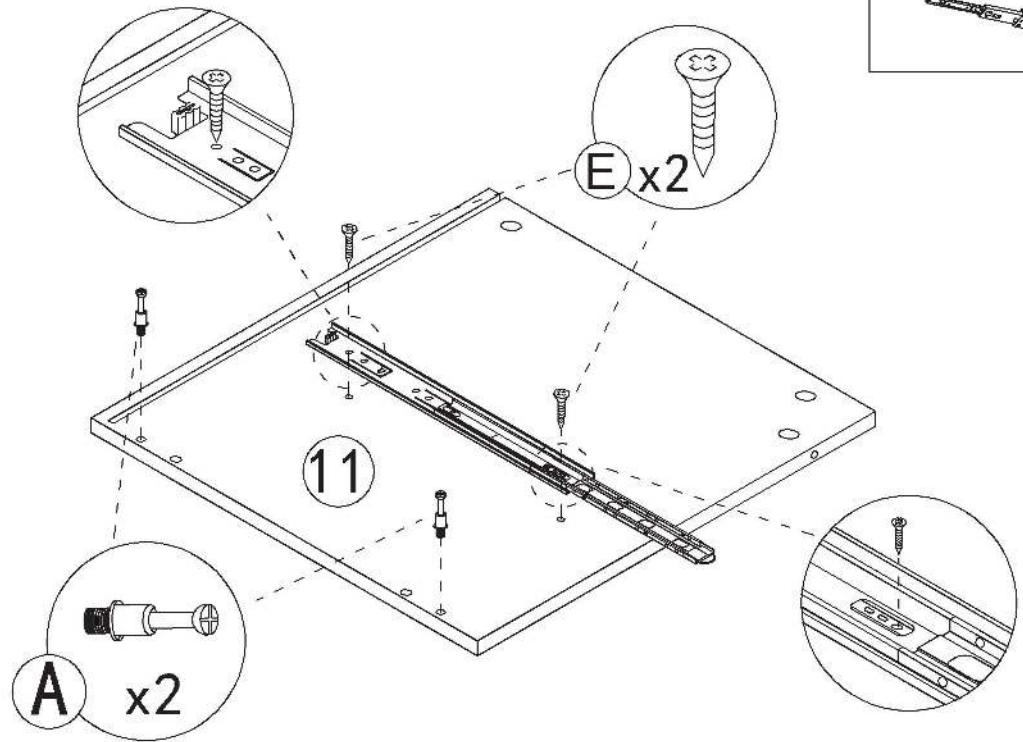
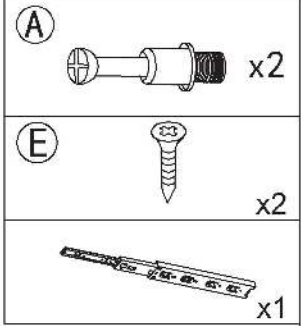
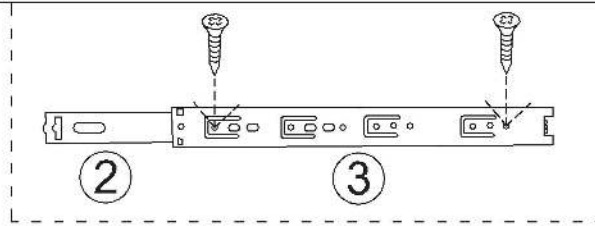
**C**  x2

**C**  x2

**B**  x2



Step 19

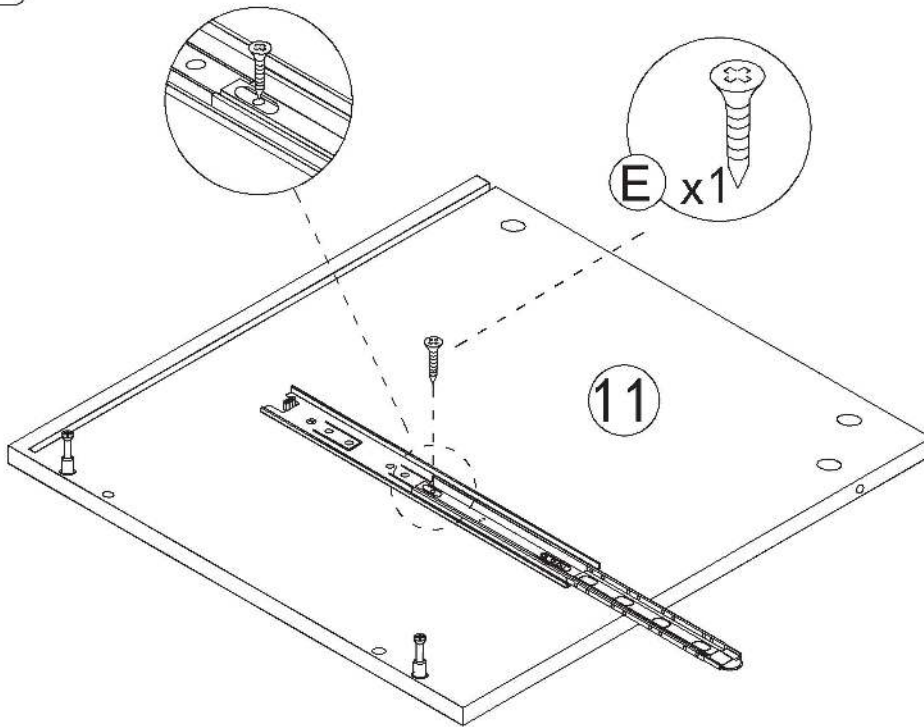


Step 20

E

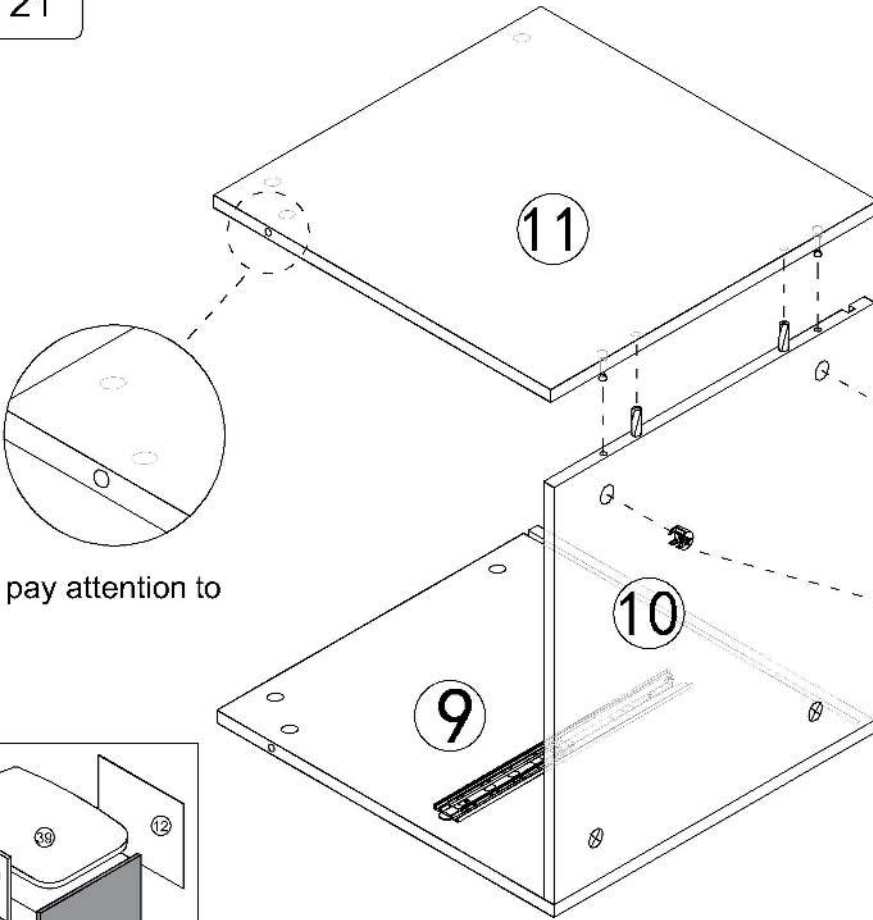


x1

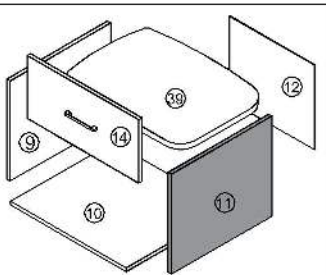
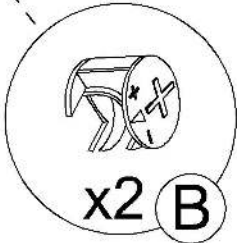


This hole is for strengthening fixed hole customers can choose to install according to their needs.

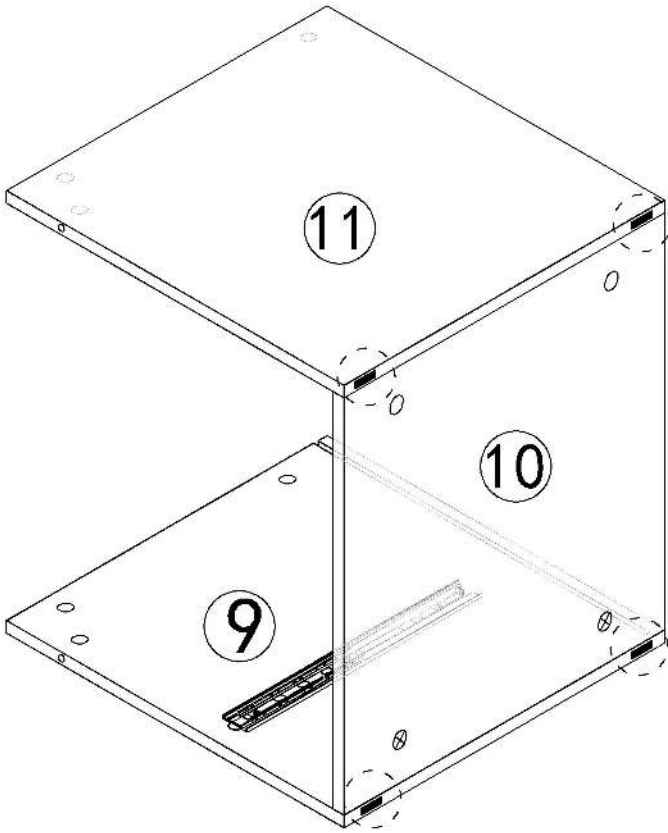
Step 21



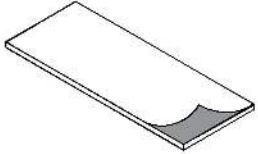
pay attention to



Step 22

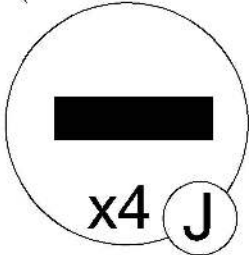


J

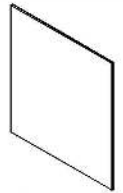
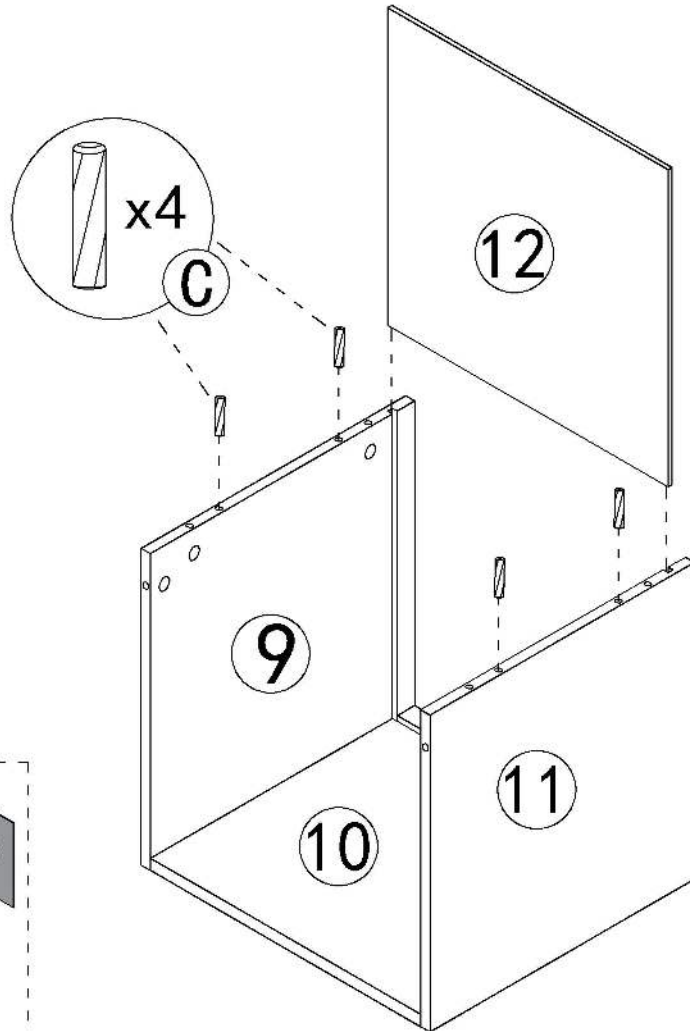


x4

Tear off release paper and stick the black foot pad on the board



Step 23

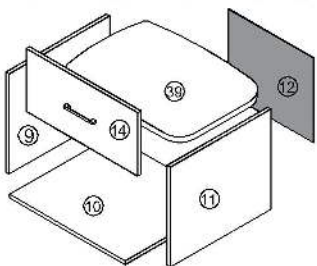


12 X1

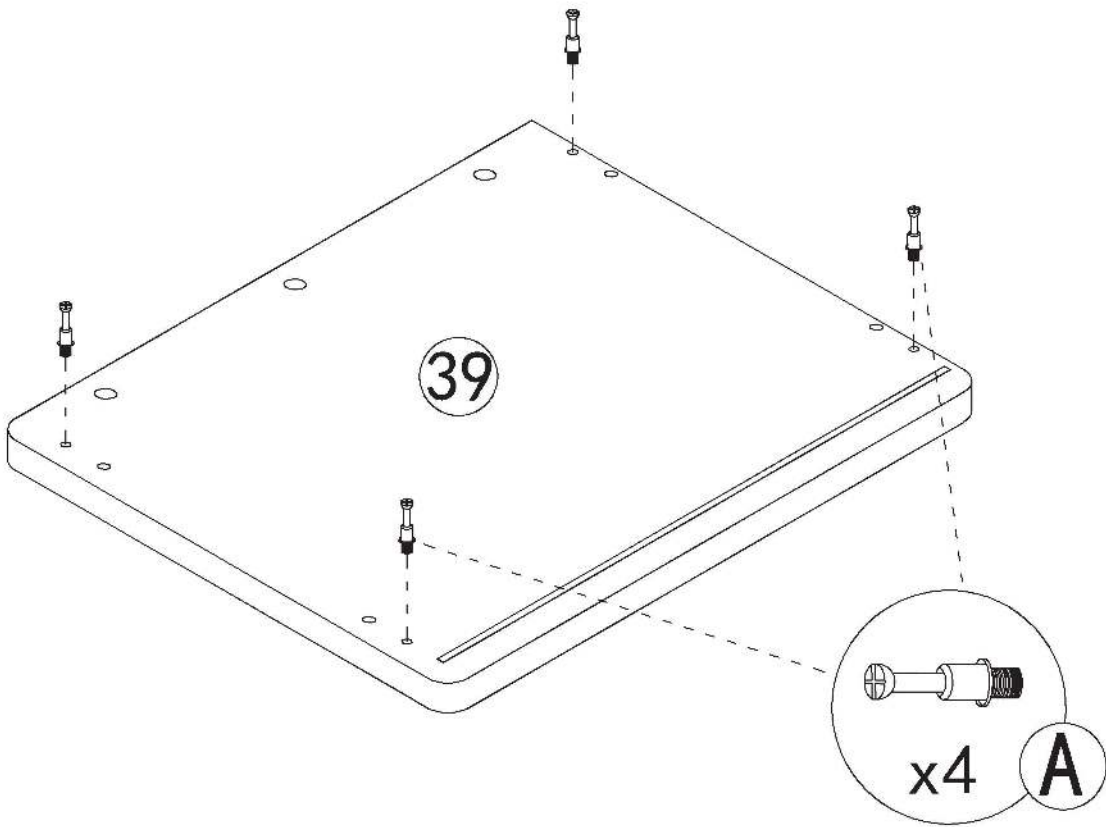
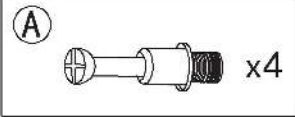
C



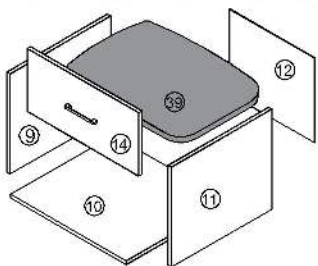
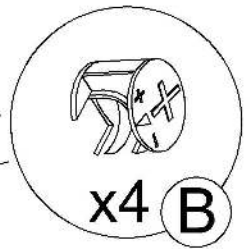
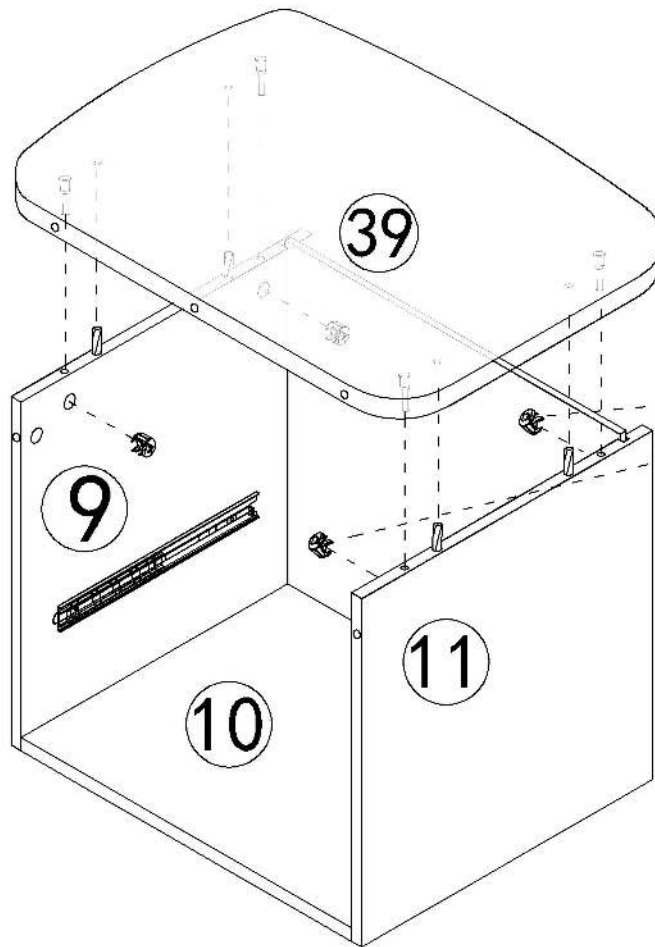
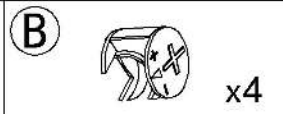
x4



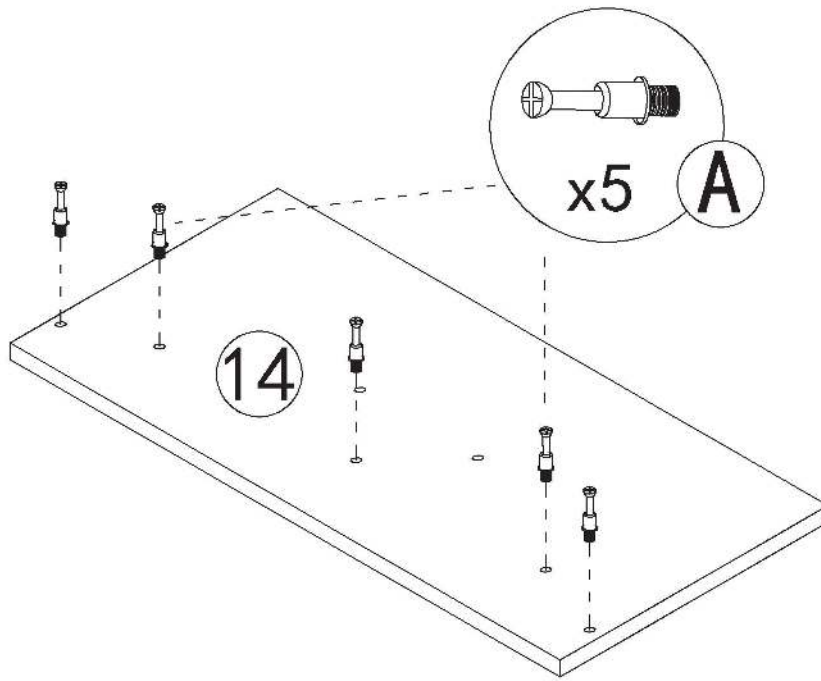
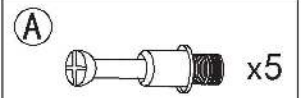
Step 24



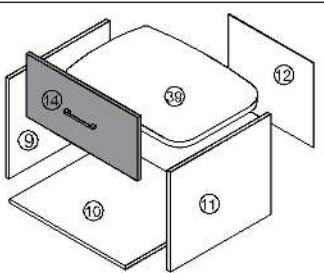
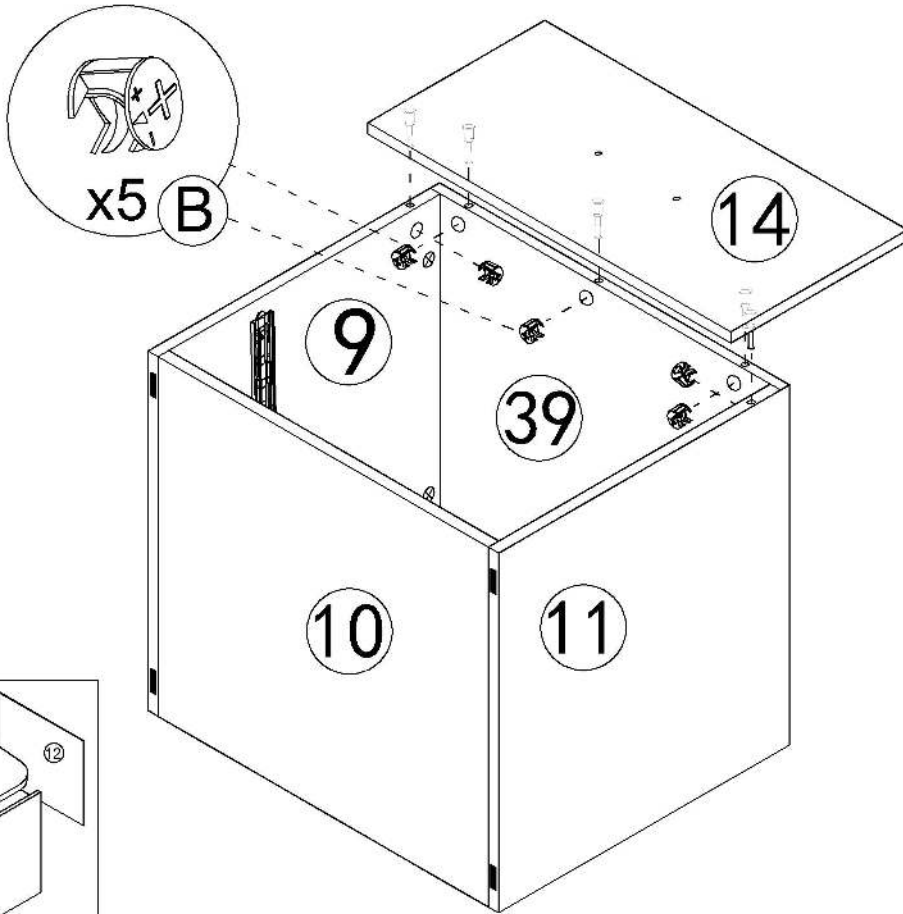
Step 25



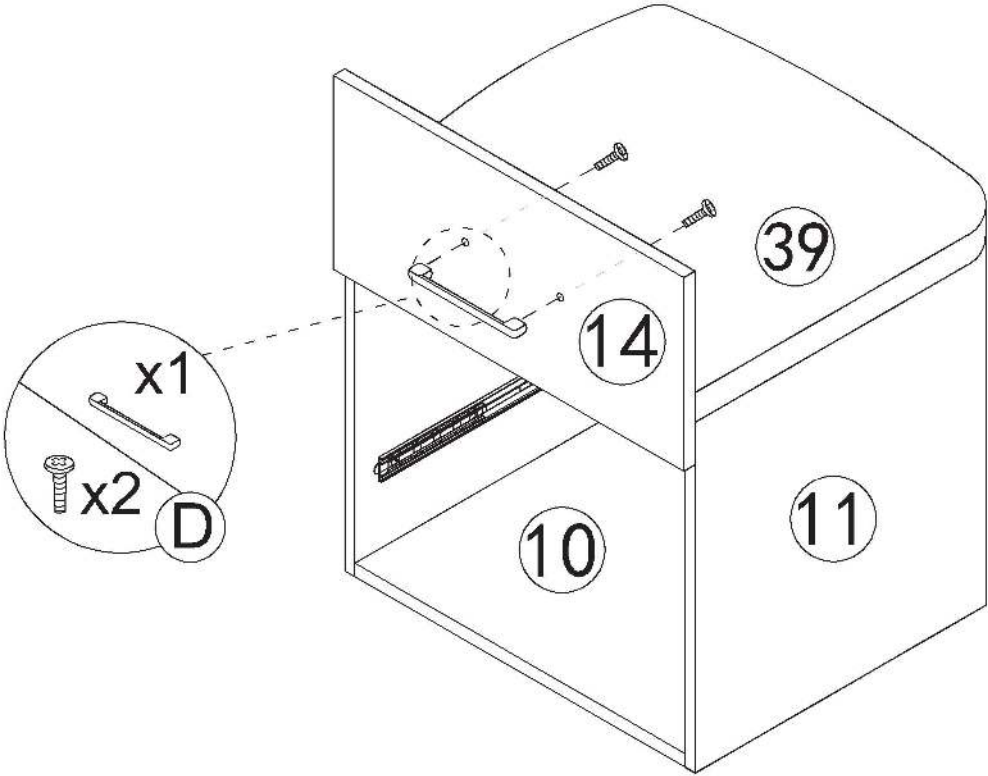
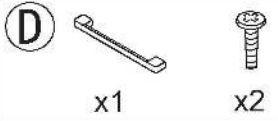
Step 26



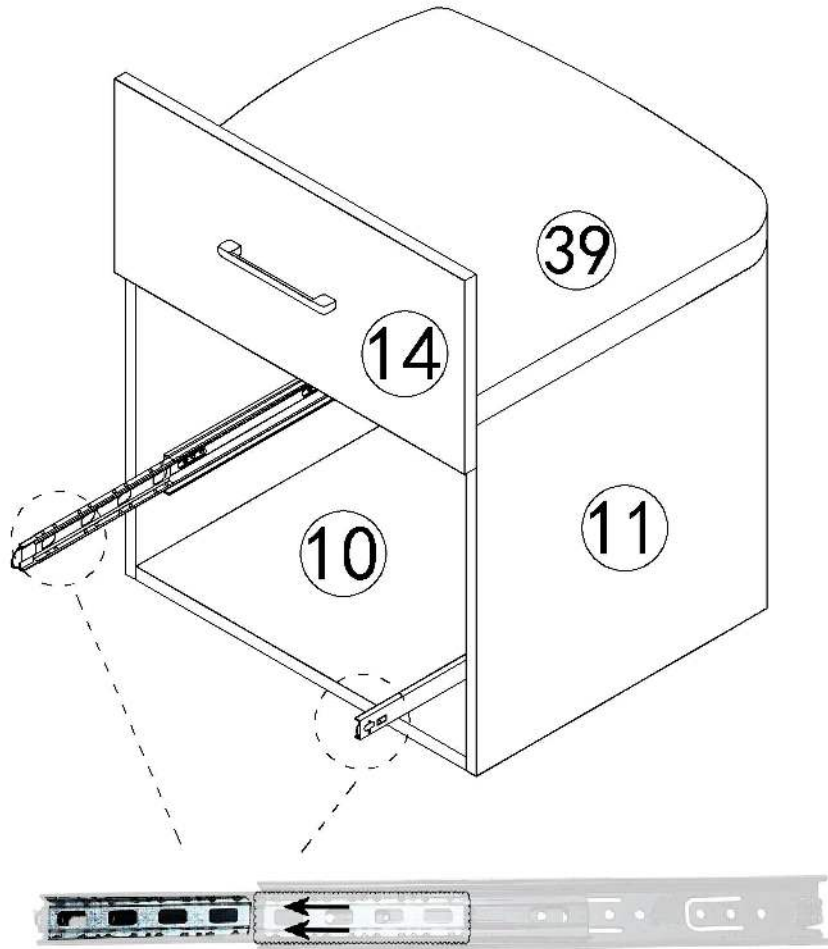
Step 27



Step 28

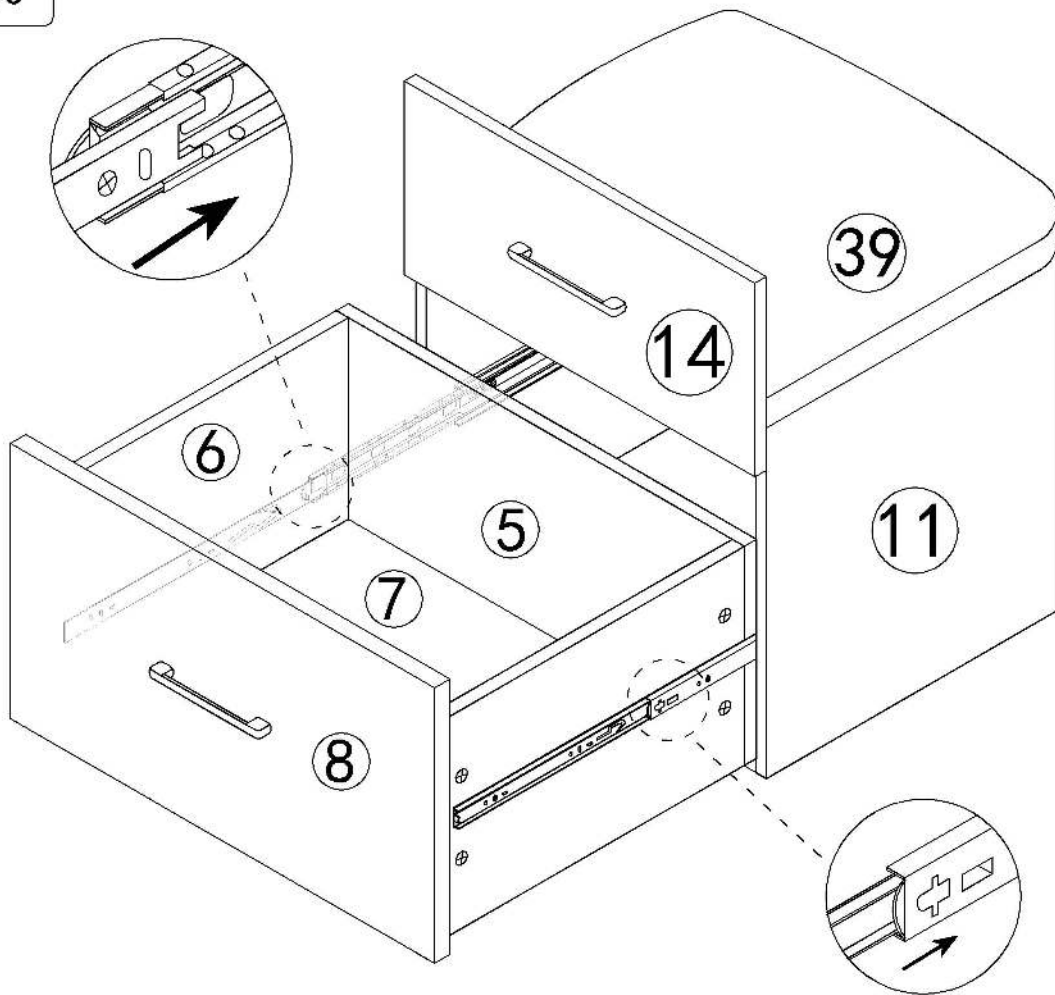


Step 29

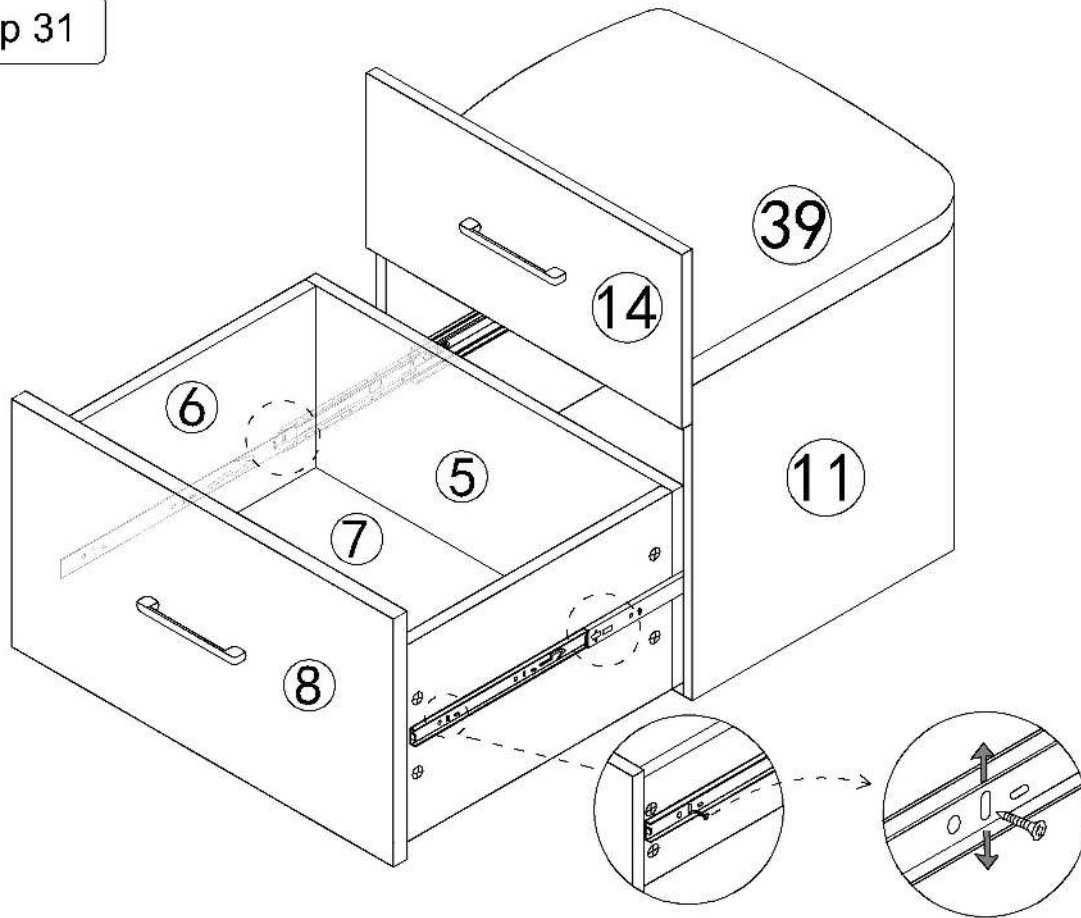


As shown, When installing the drawer,  
pull the guide rail out first, Slide beads are also pulled out.

Step 30

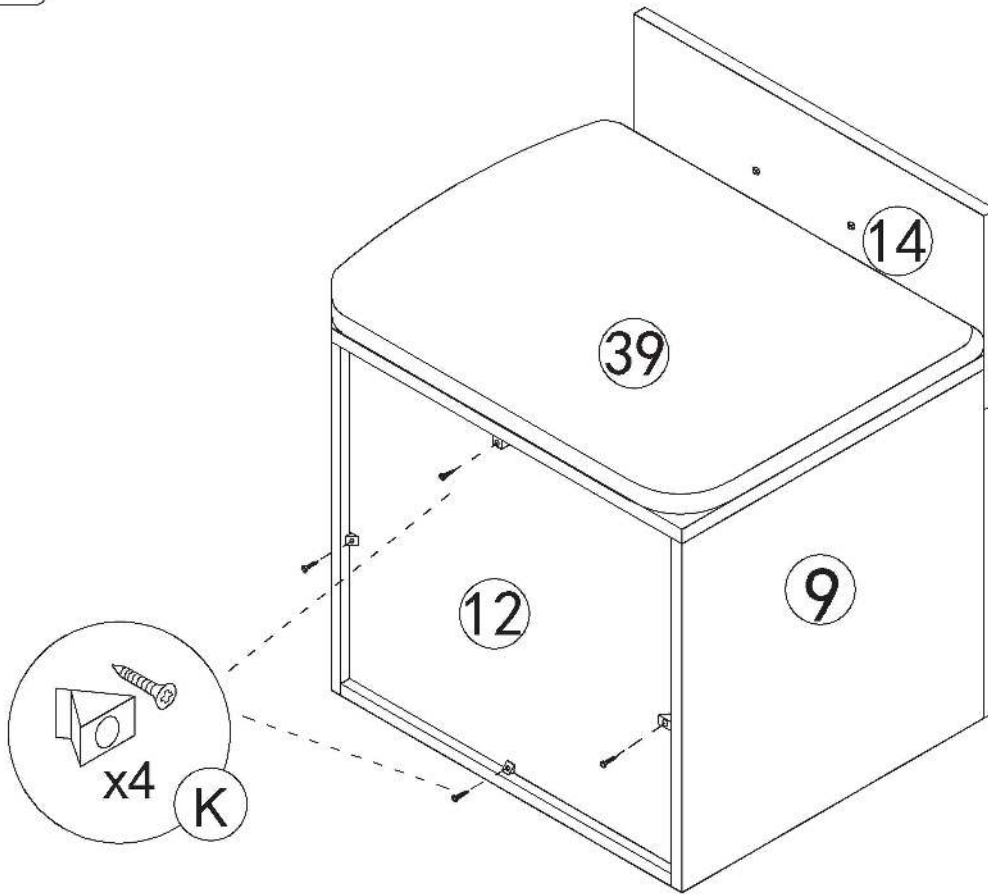
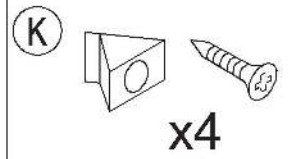


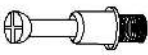


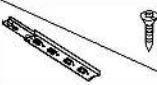

Step 31

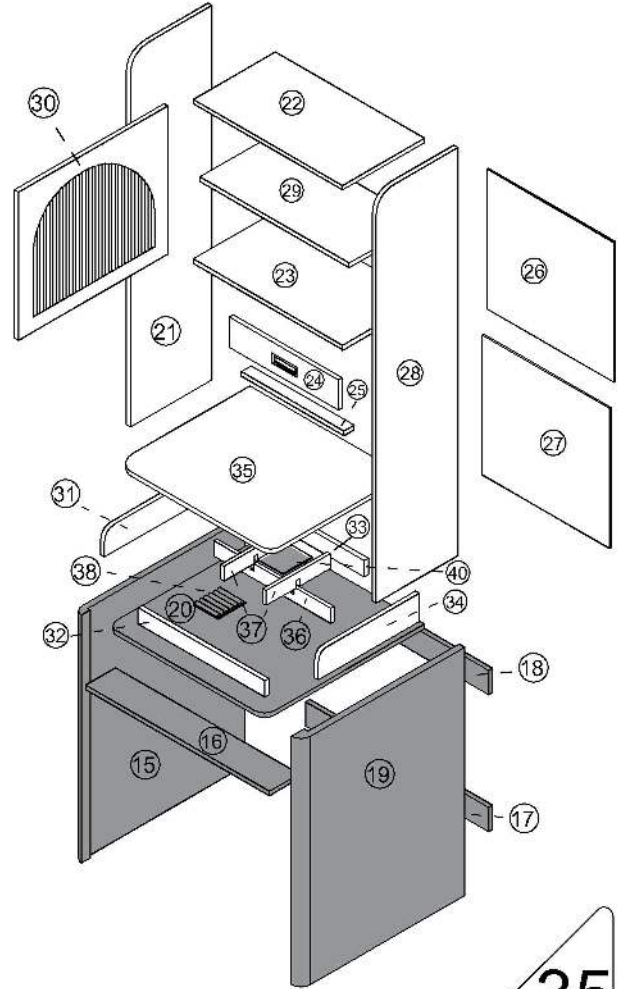
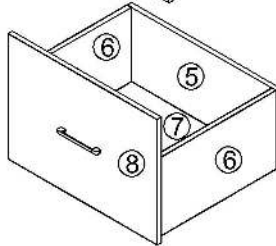
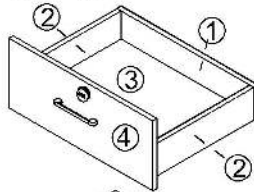
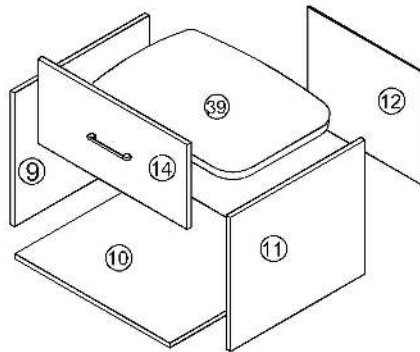


If a large gap is found after installing the drawer the slide rail can be moved up and down to adjust the gap

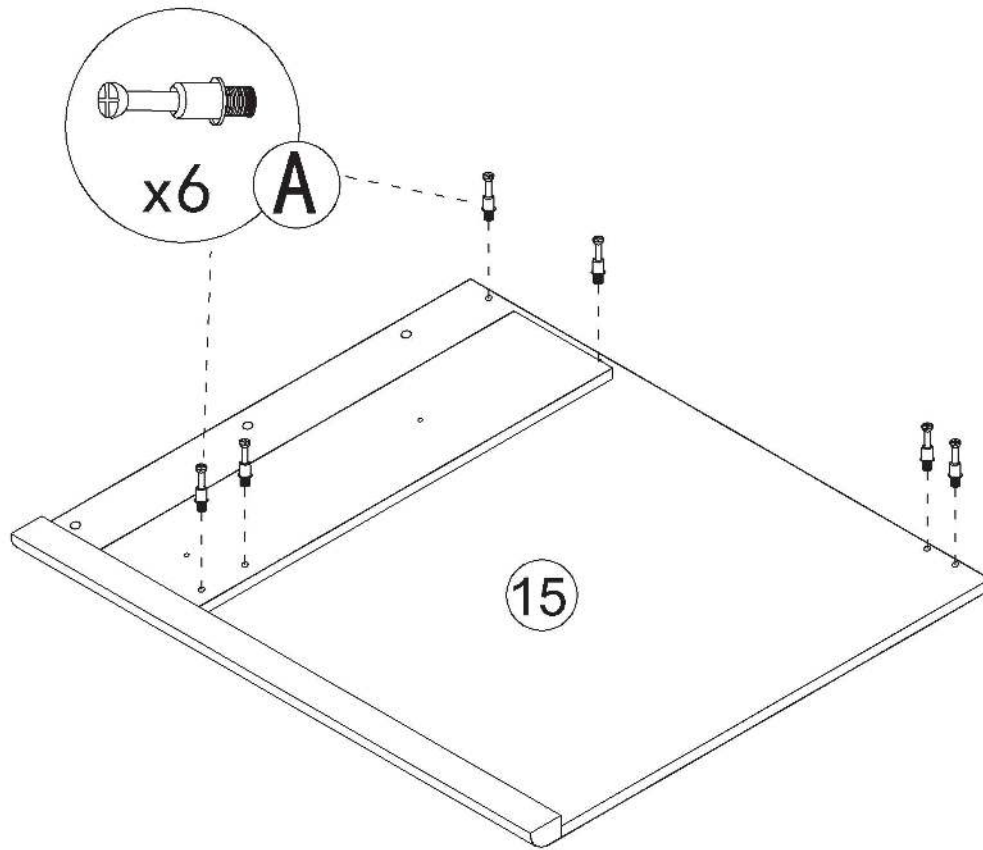
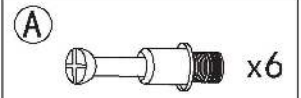
Step 32



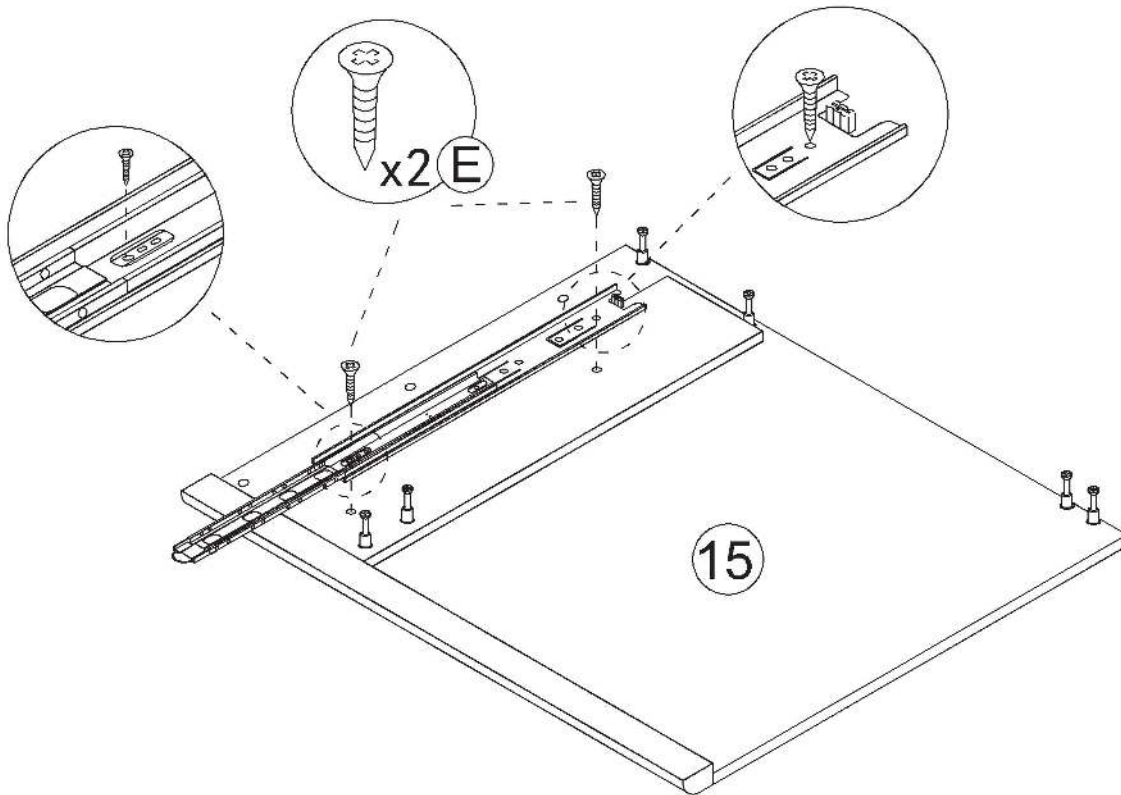
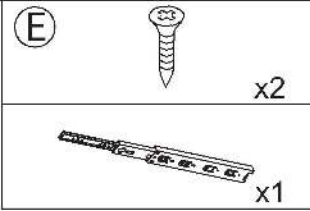
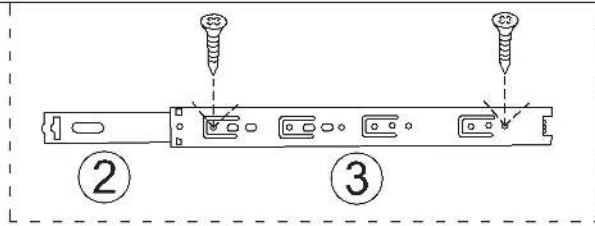
<b>A</b>		30pcs
<b>B</b>		20pcs
<b>C</b>		8pcs
<b>E</b>		6pcs 2pcs
<b>J</b>		5pcs



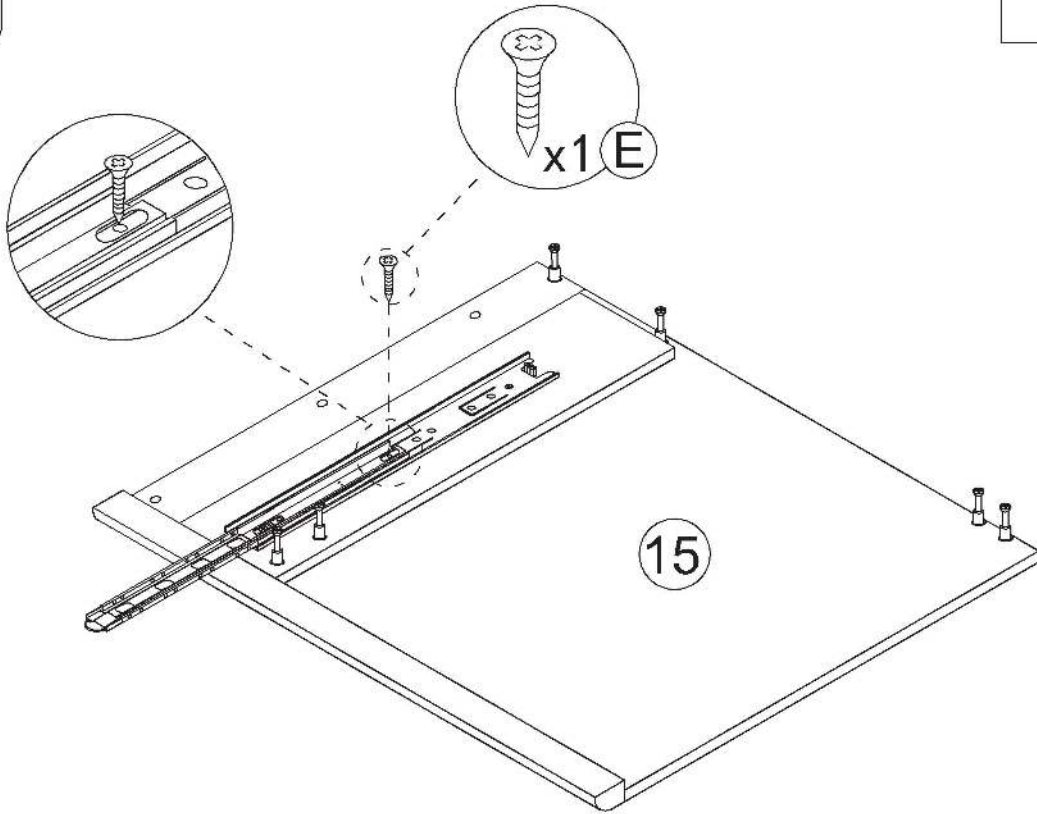
Step 33



Step 34

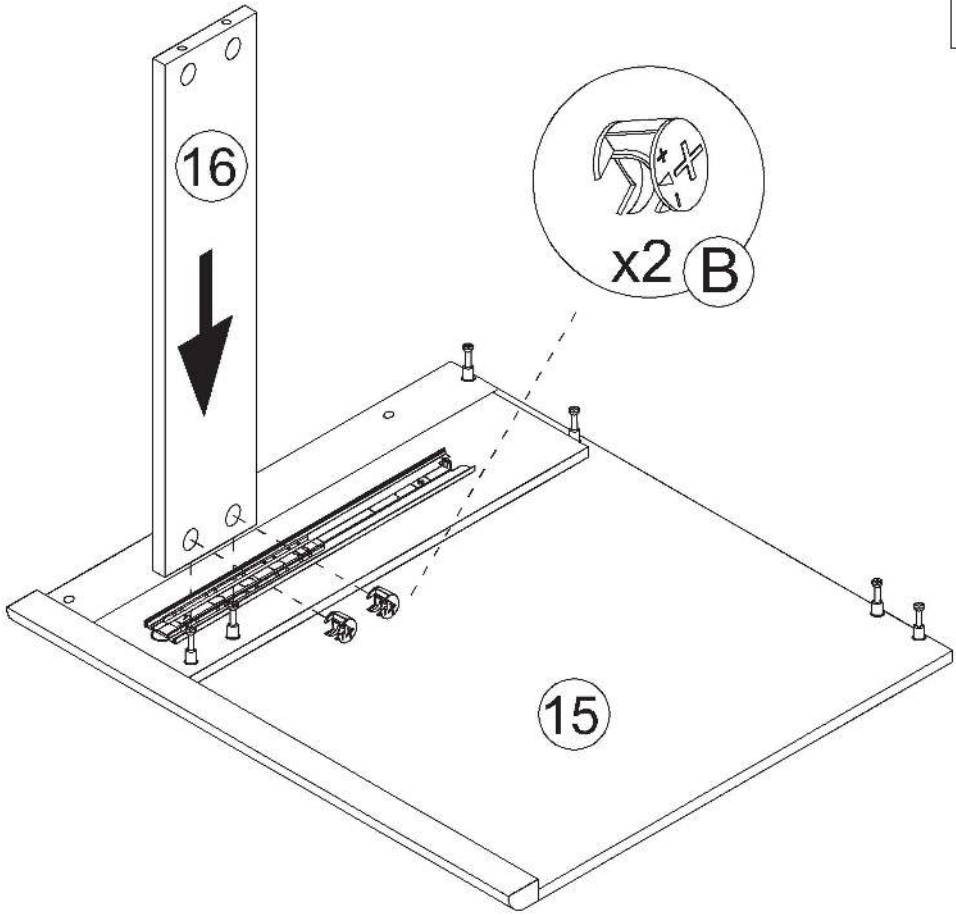


Step 35



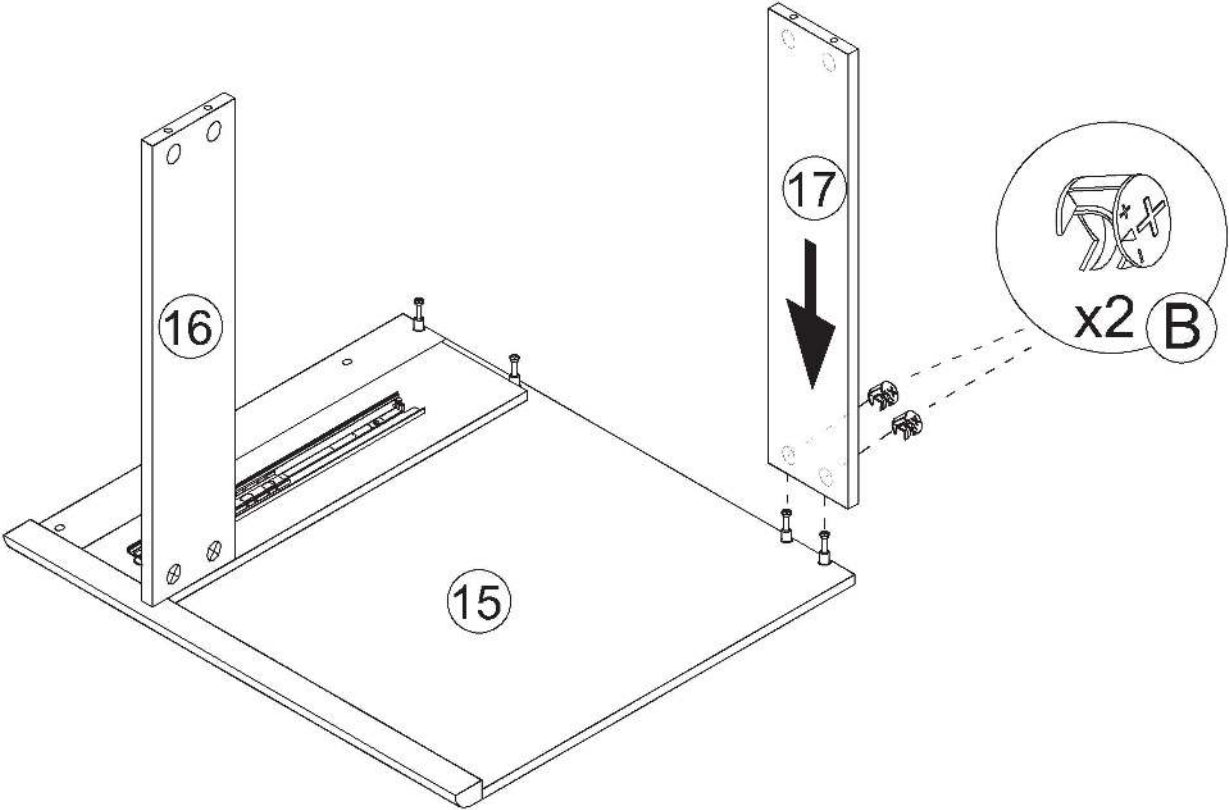
This hole is for strengthening fixed hole customers can choose to install according to their needs.

Step 36

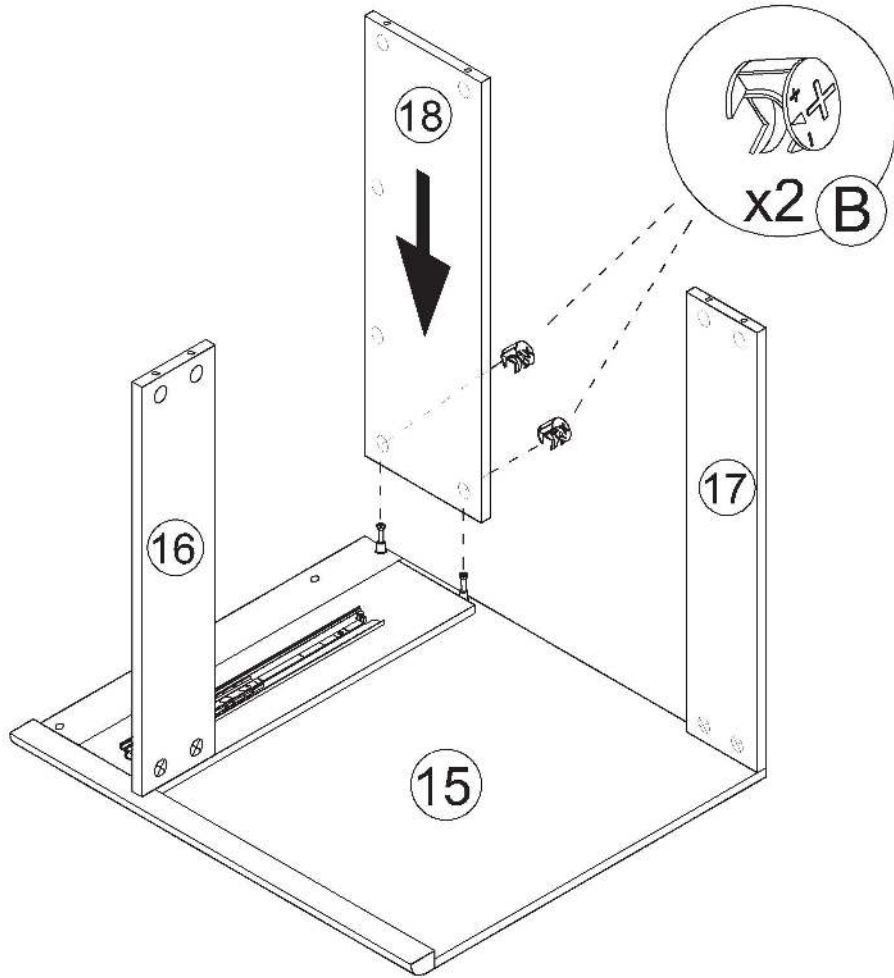


Step 37


**B**  x2



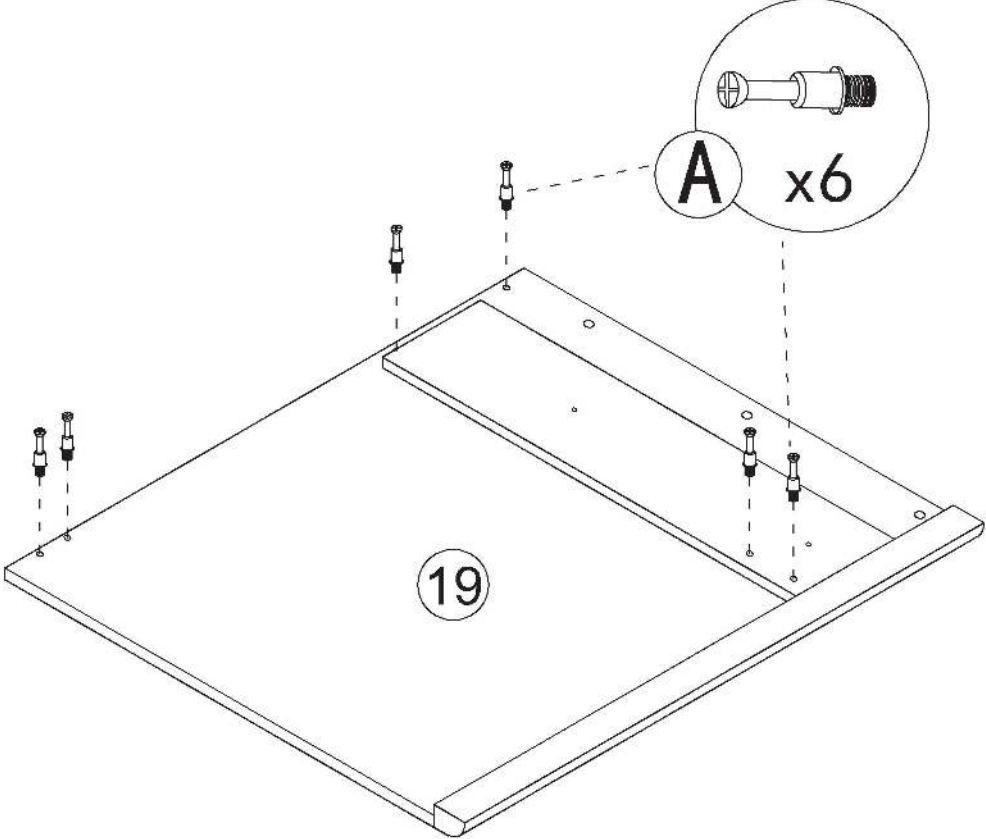
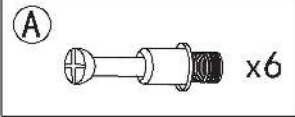
Step 38



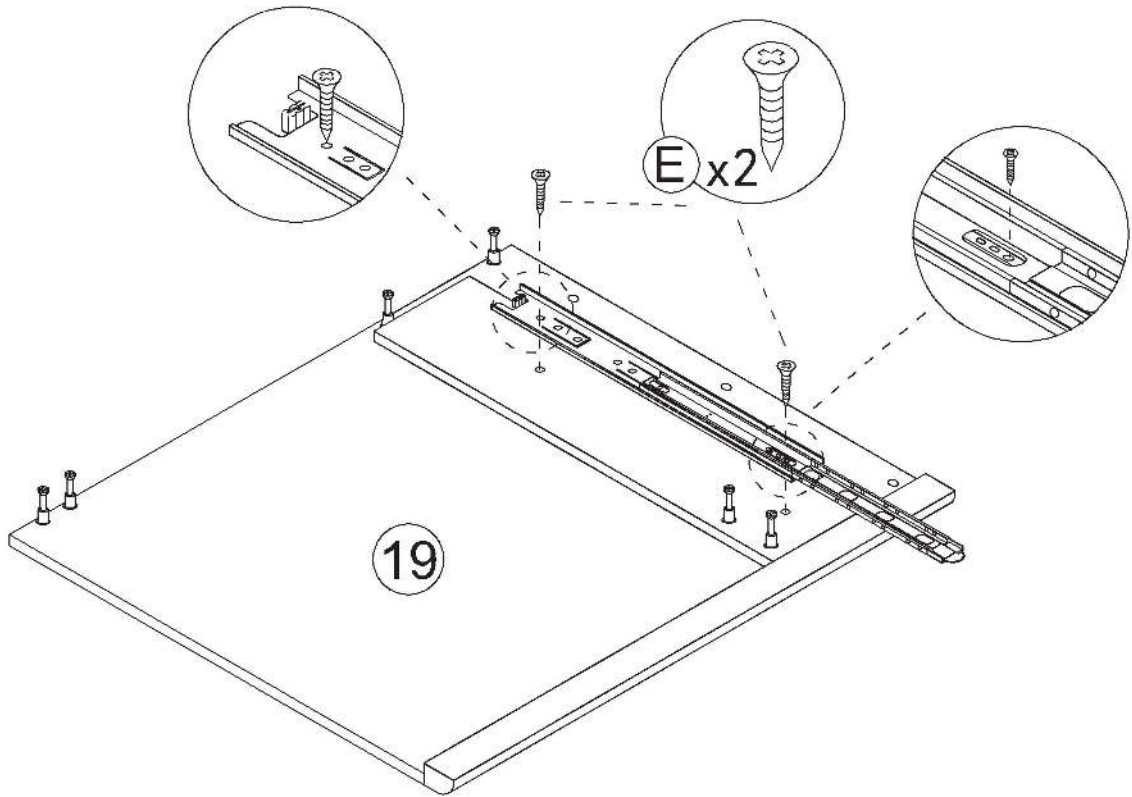
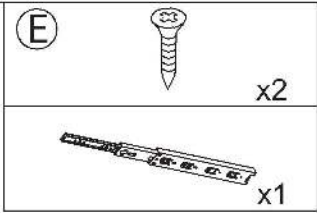
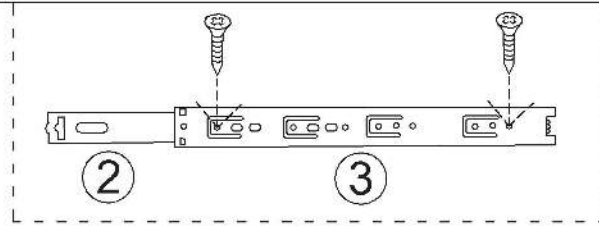
(B)  x2

x2 (B) 

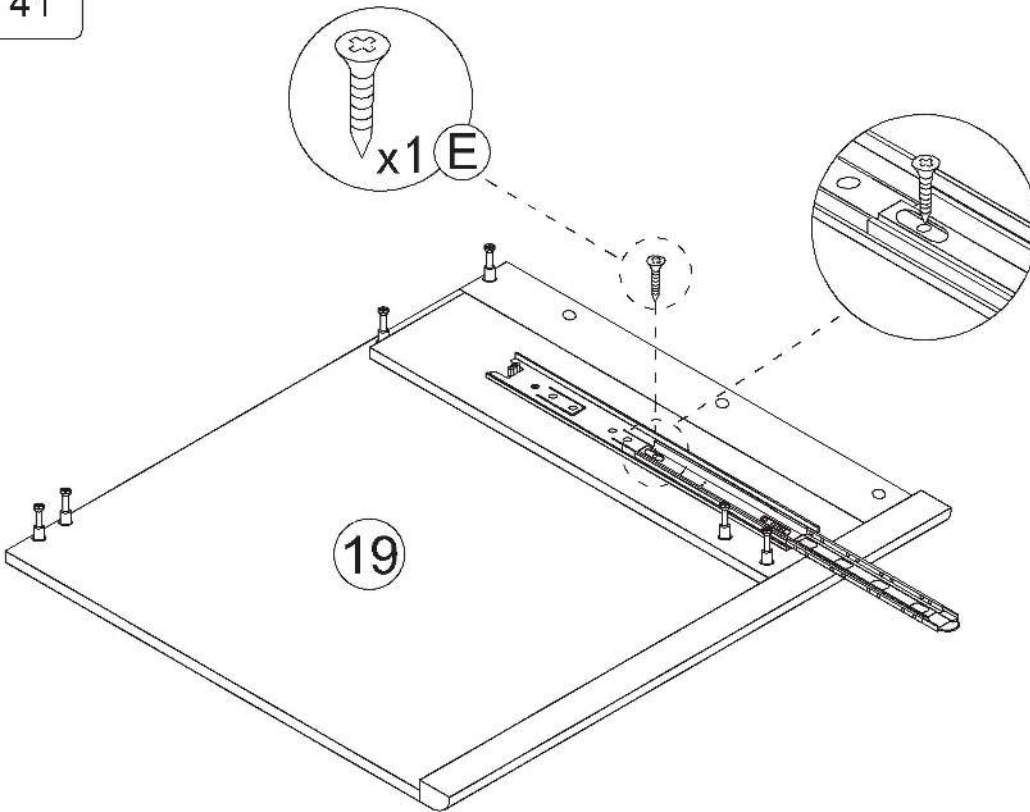
Step 39



Step 40



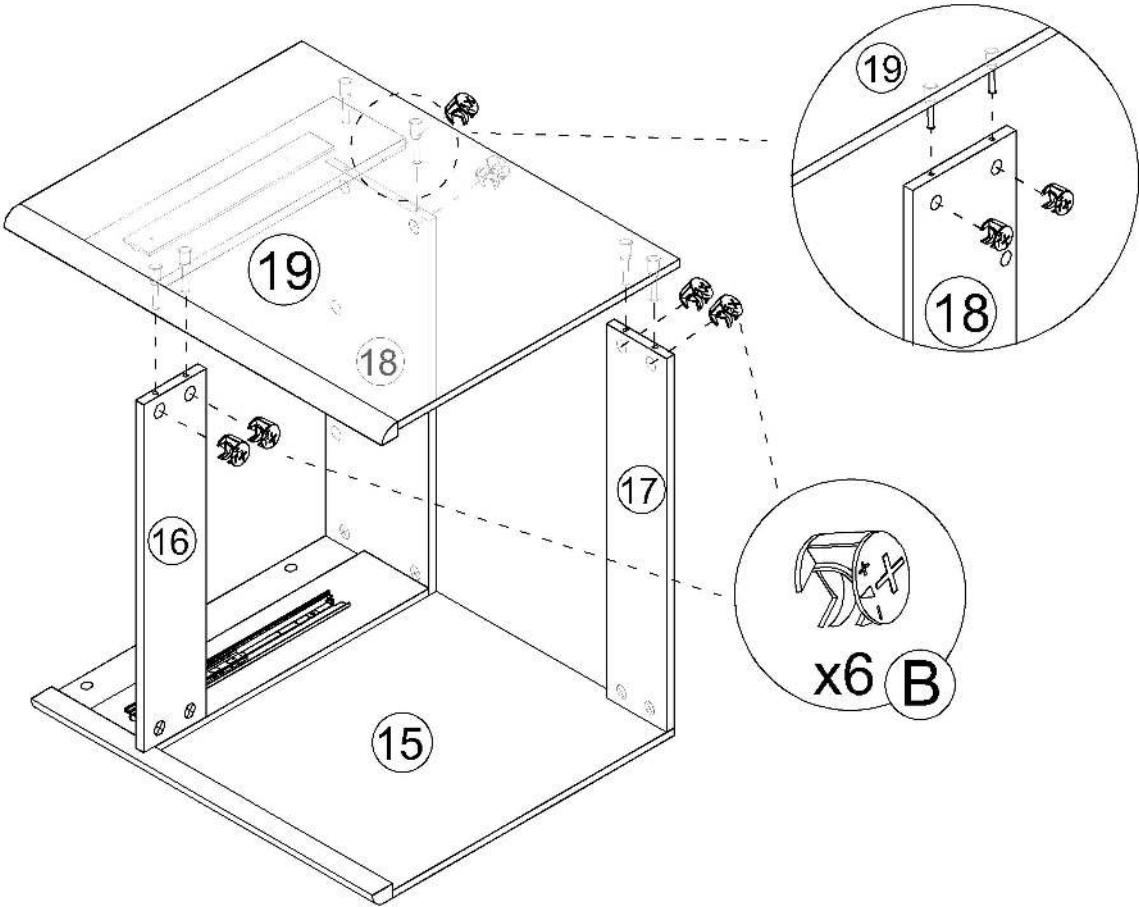
Step 41



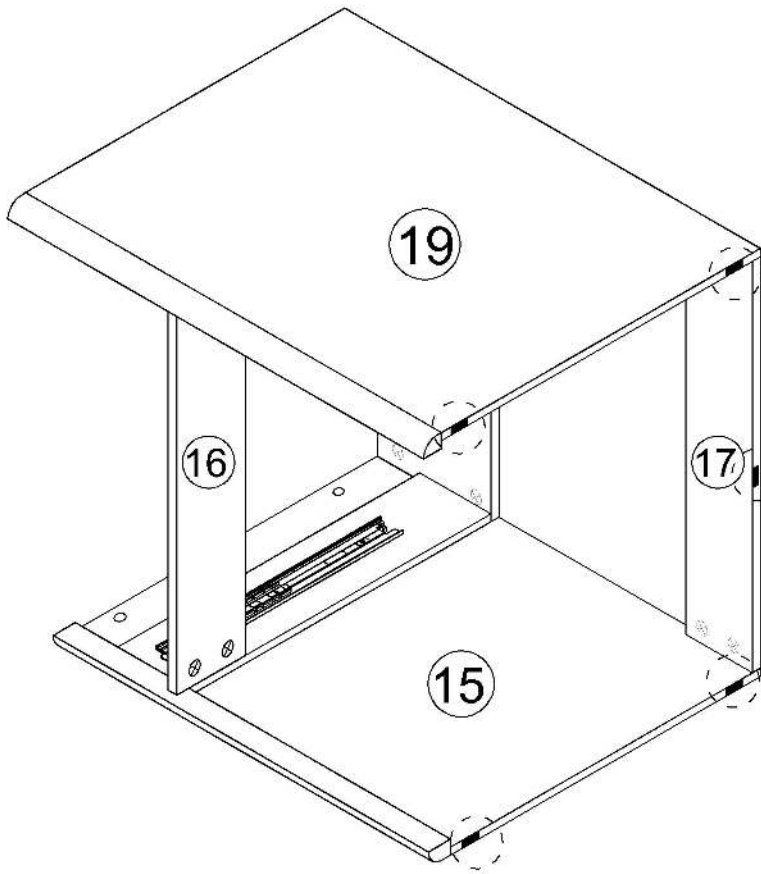
This hole is for strengthening fixed hole customers can choose to install according to their needs.

Step 42

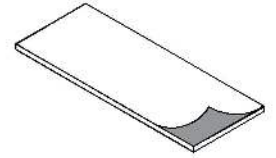
**B**  x6



Step 43

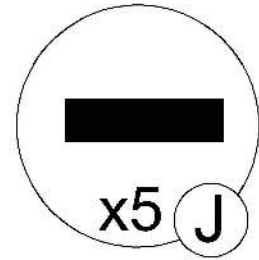


J

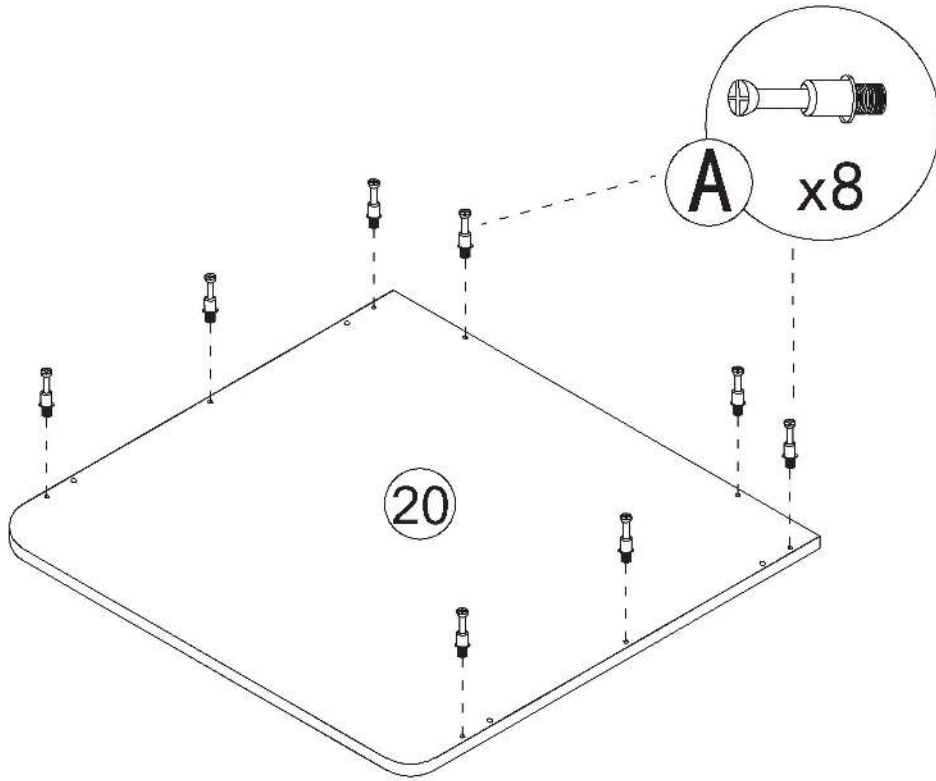
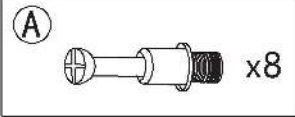


x5

Tear off release paper and stick the black foot pad on the board

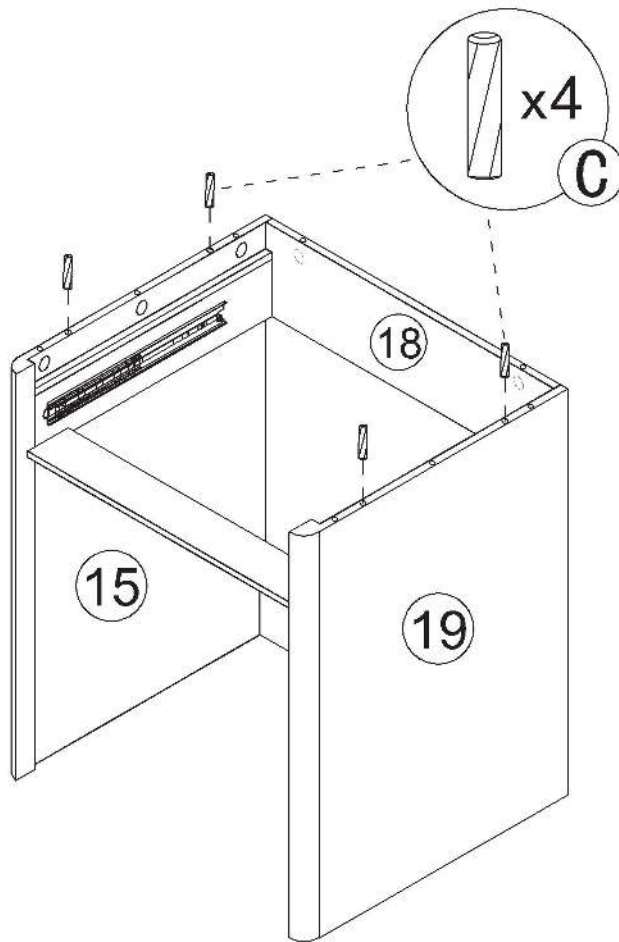


Step 44

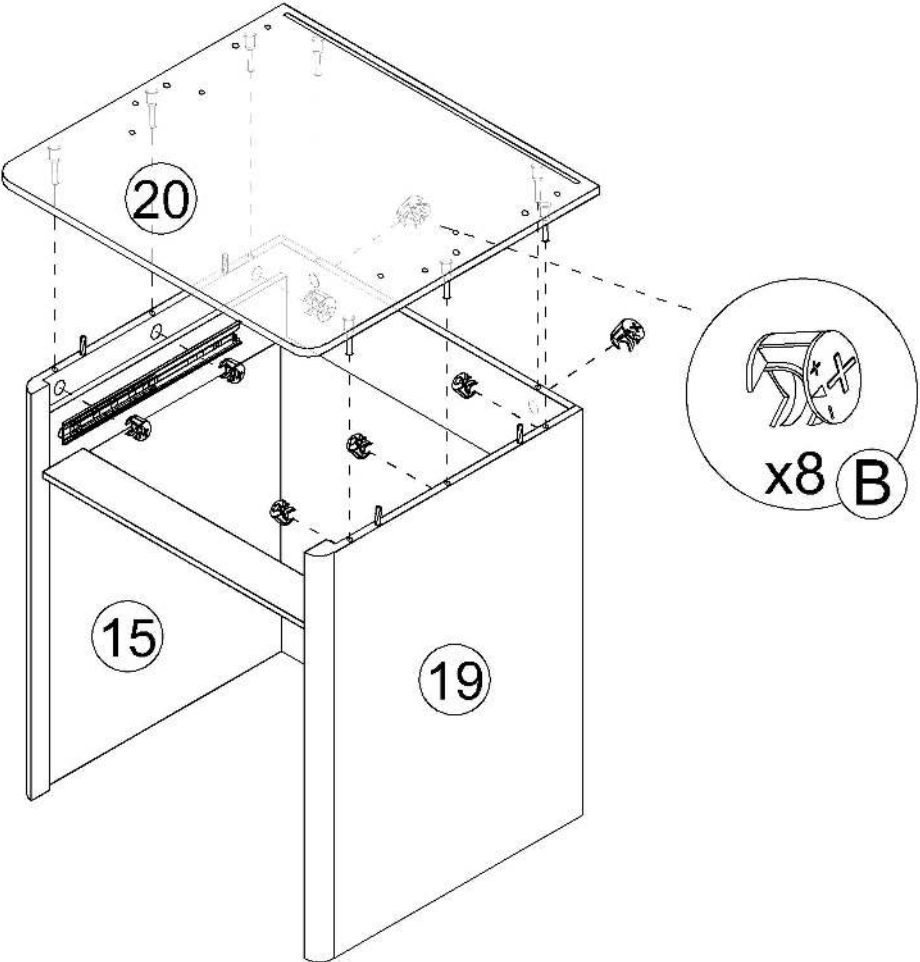


Step 45

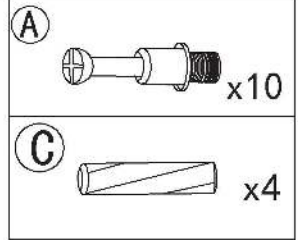
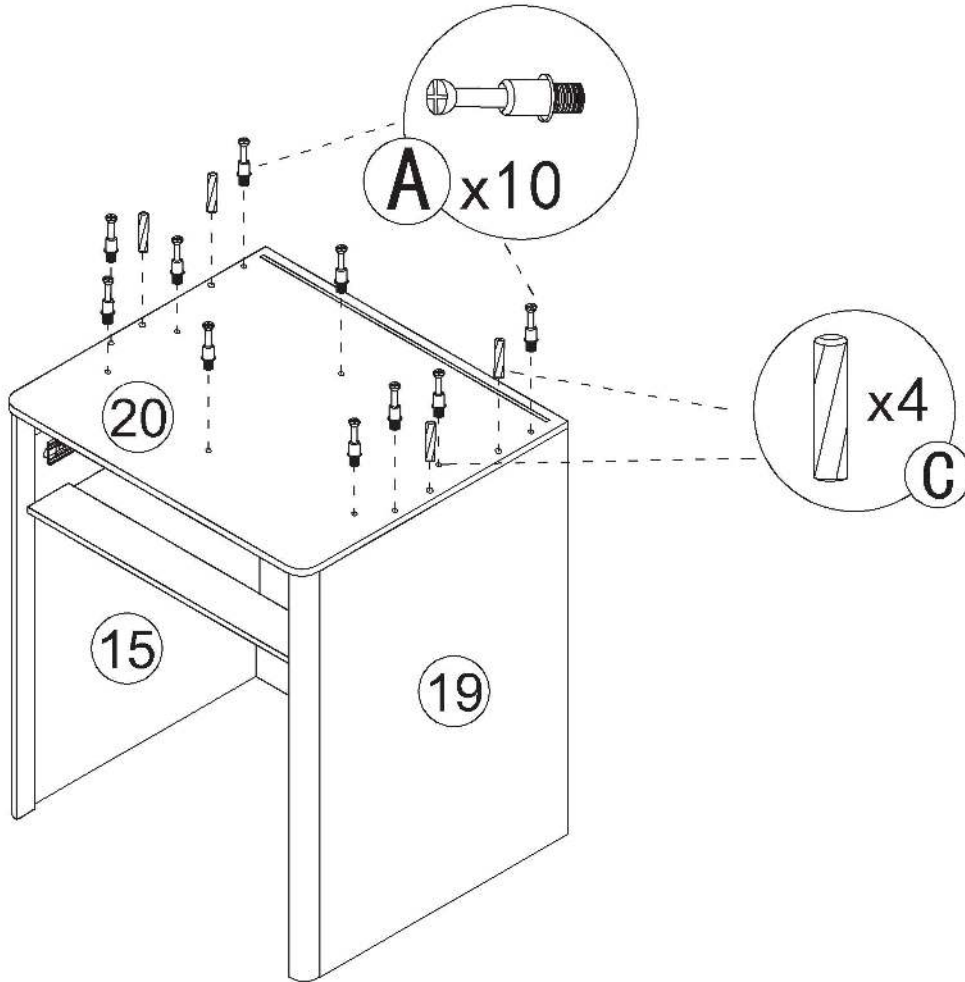
**C**  x4

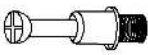







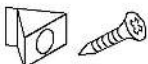



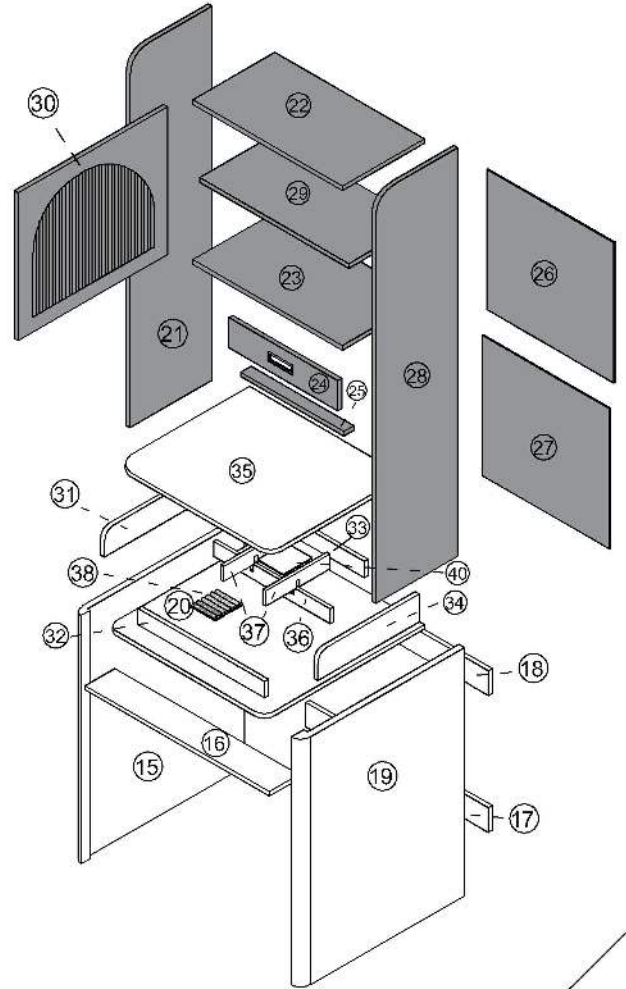
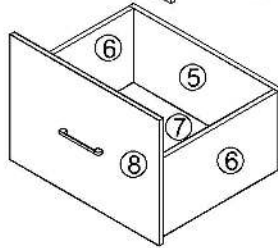
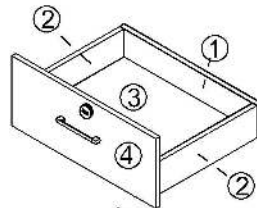
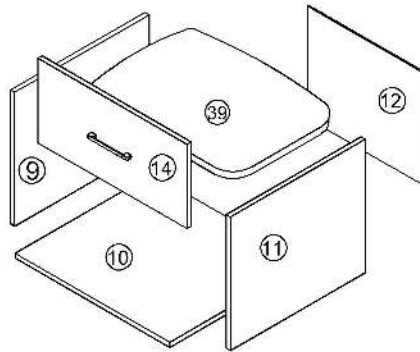
Step 46



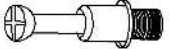

Step 47

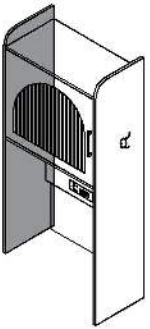
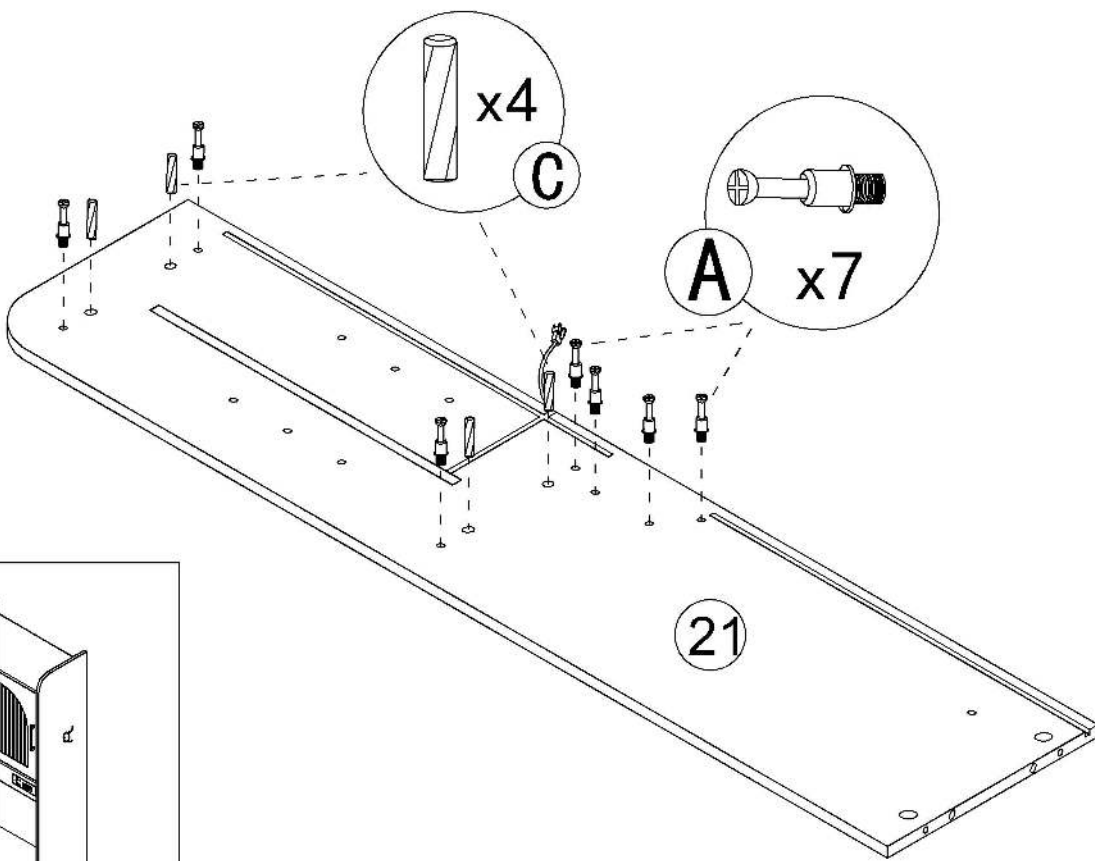


<b>A</b>		18pcs
<b>B</b>		22pcs
<b>C</b>		8pcs
<b>D</b>		2pcs 1pcs
<b>F</b>		2pcs 1pcs
<b>G</b>		2pcs 1pcs
<b>H</b>		4pcs 2pcs
<b>I</b>		2pcs 1pcs
<b>K</b>		8pcs
<b>M</b>		4pcs

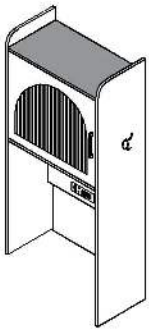
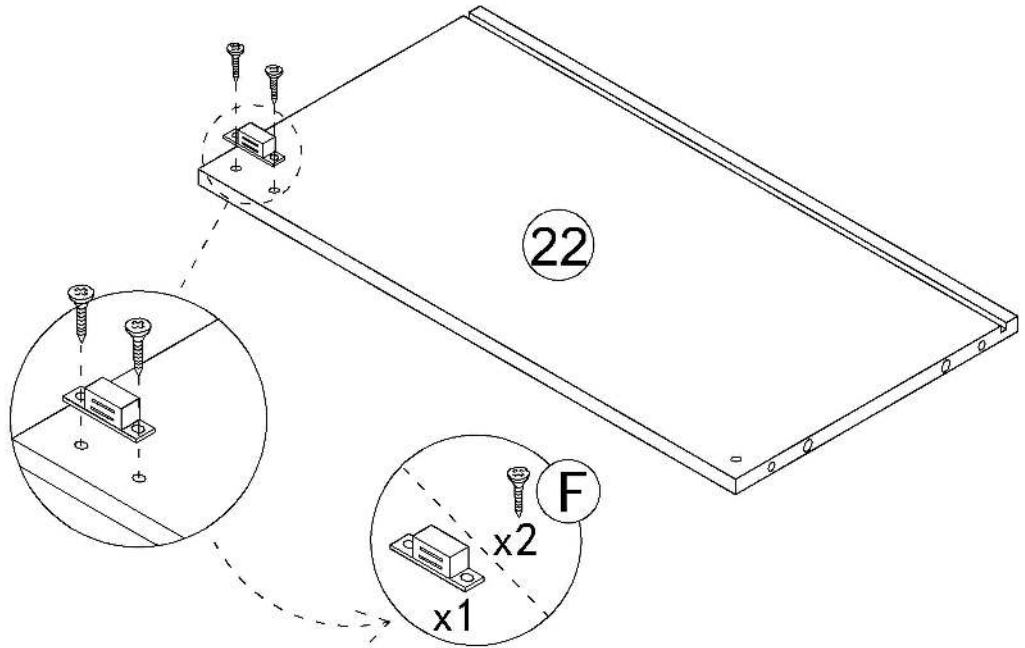
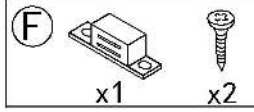


Step 48

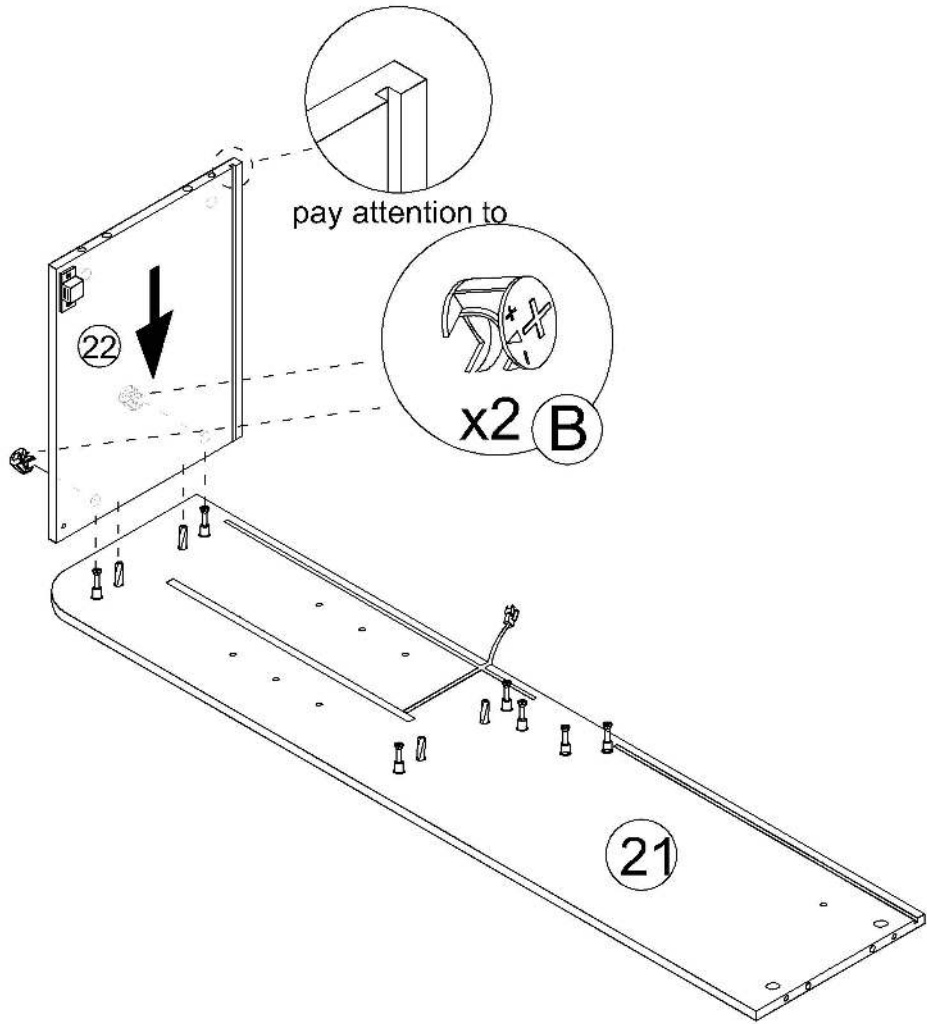
- A  x7
- C  x4



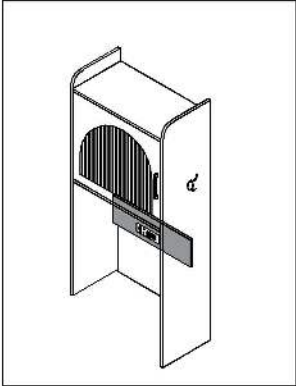
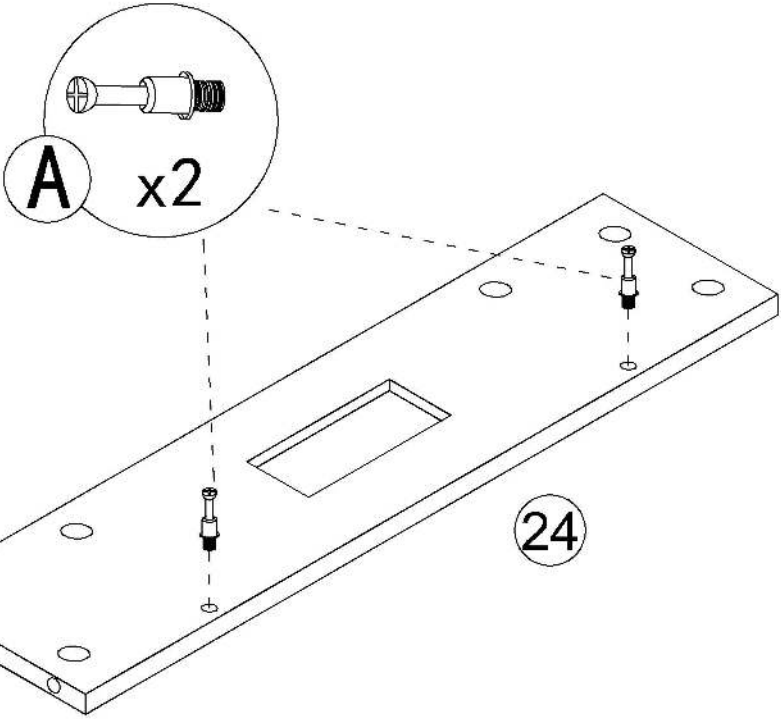
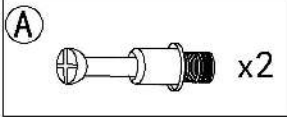
Step 49



Step 50

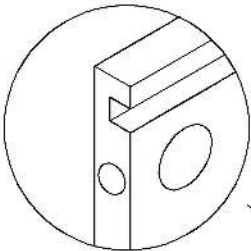


Step 51

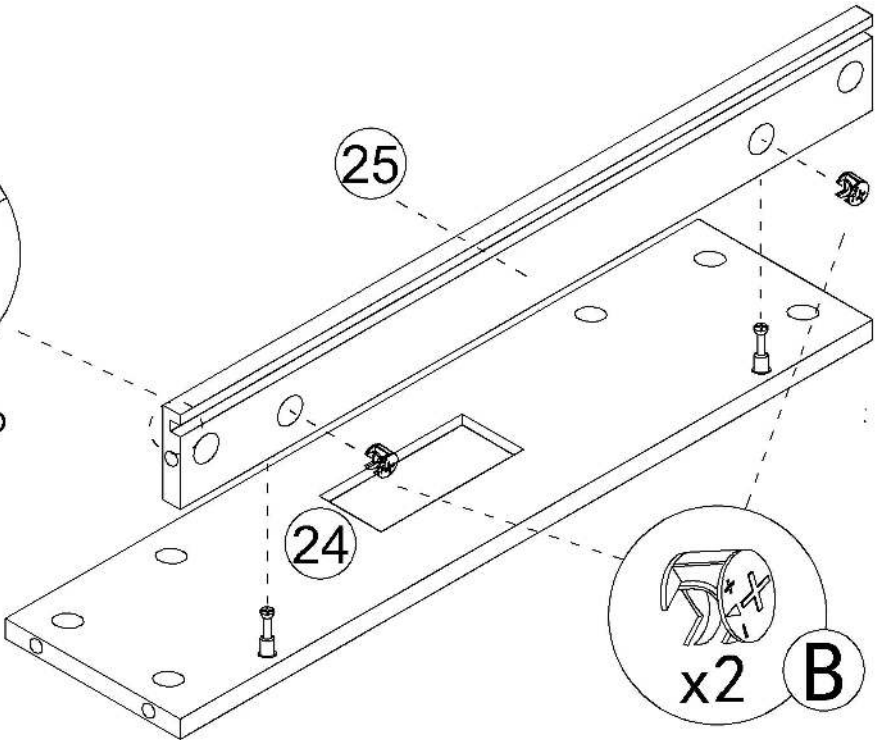



Step 52

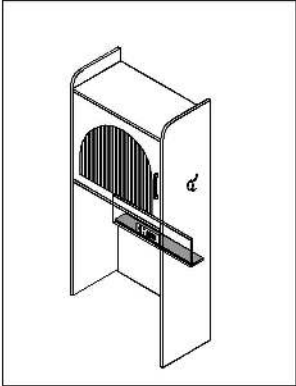
**B**  x2



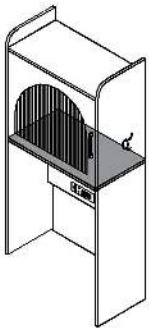
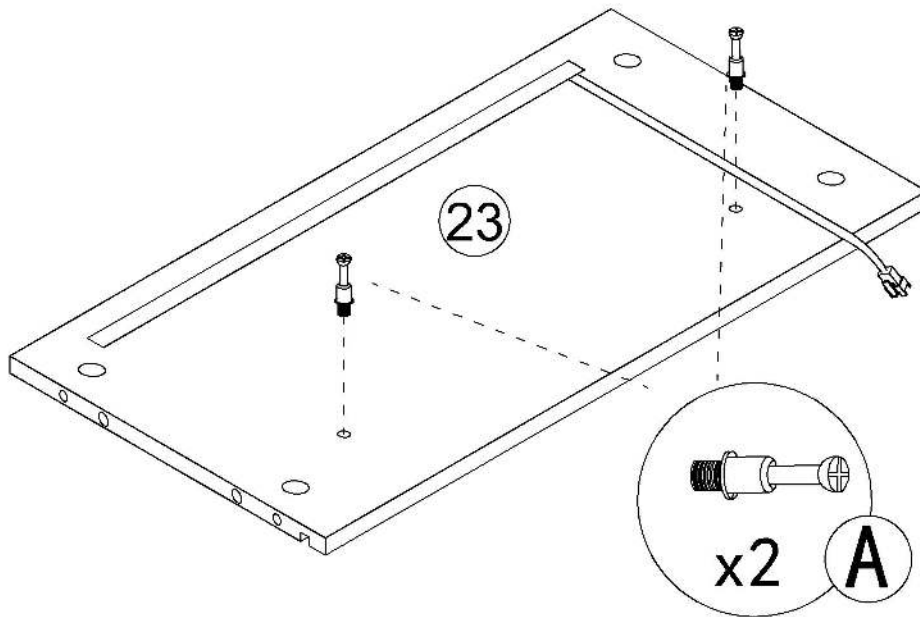
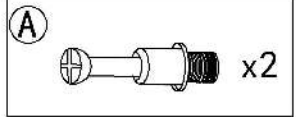
pay attention to



 x2 **B**

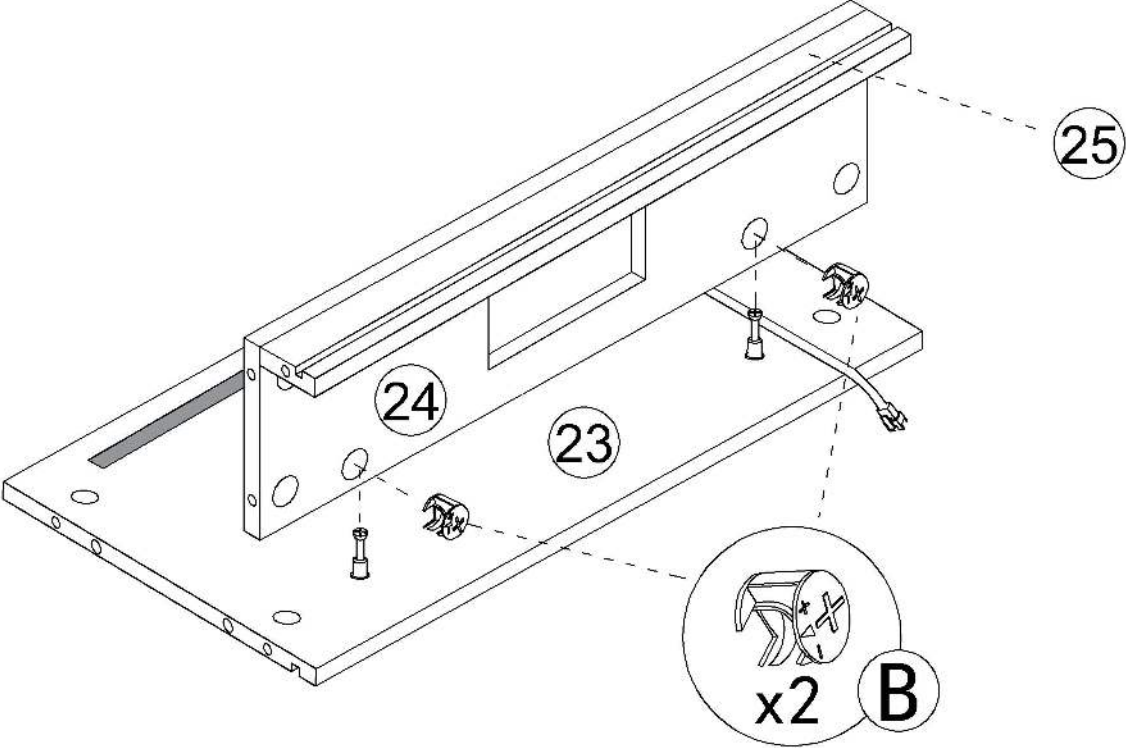


Step 53

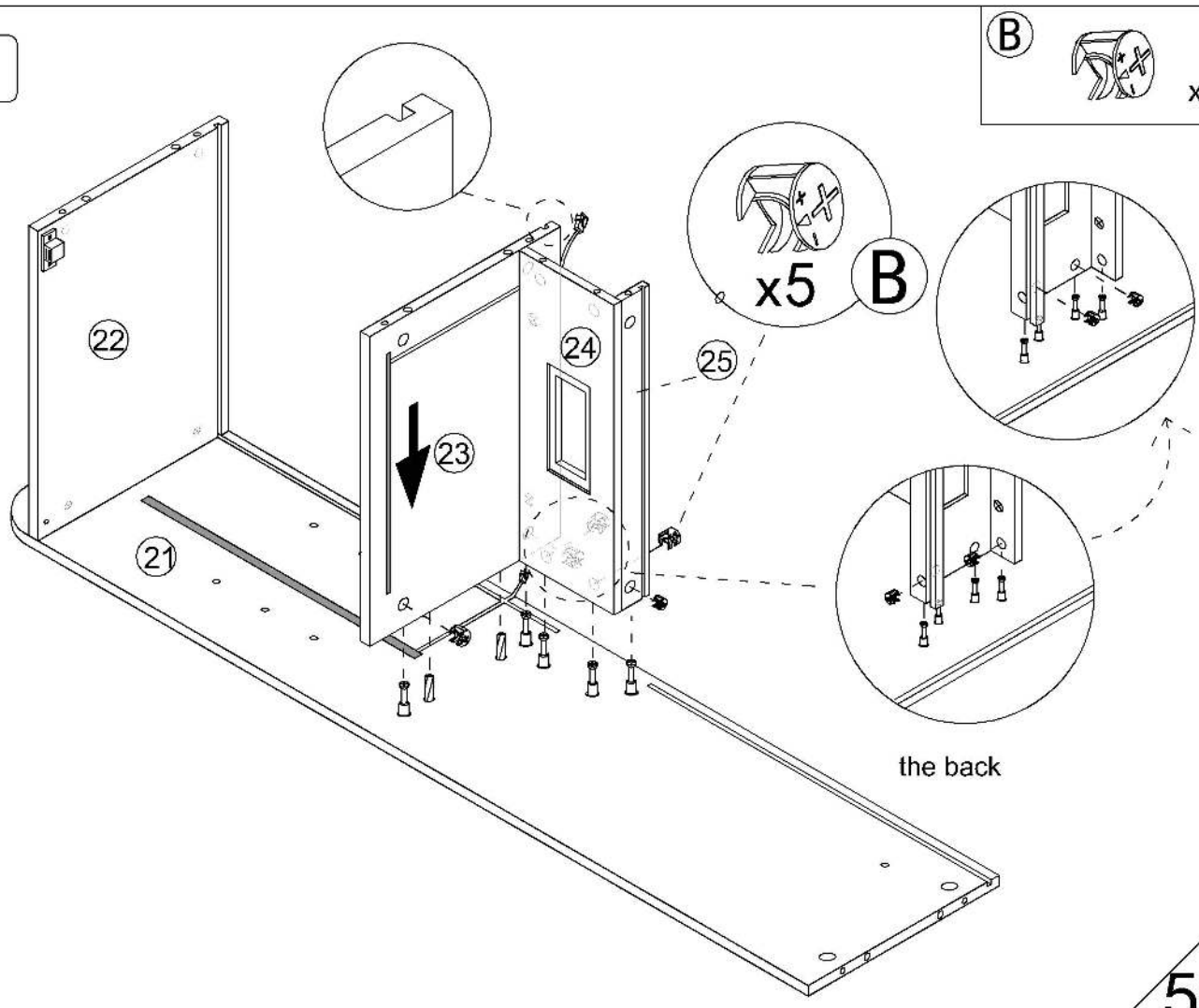


Step 54


**B**  x2

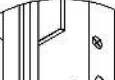



Step 55



**B**  x5

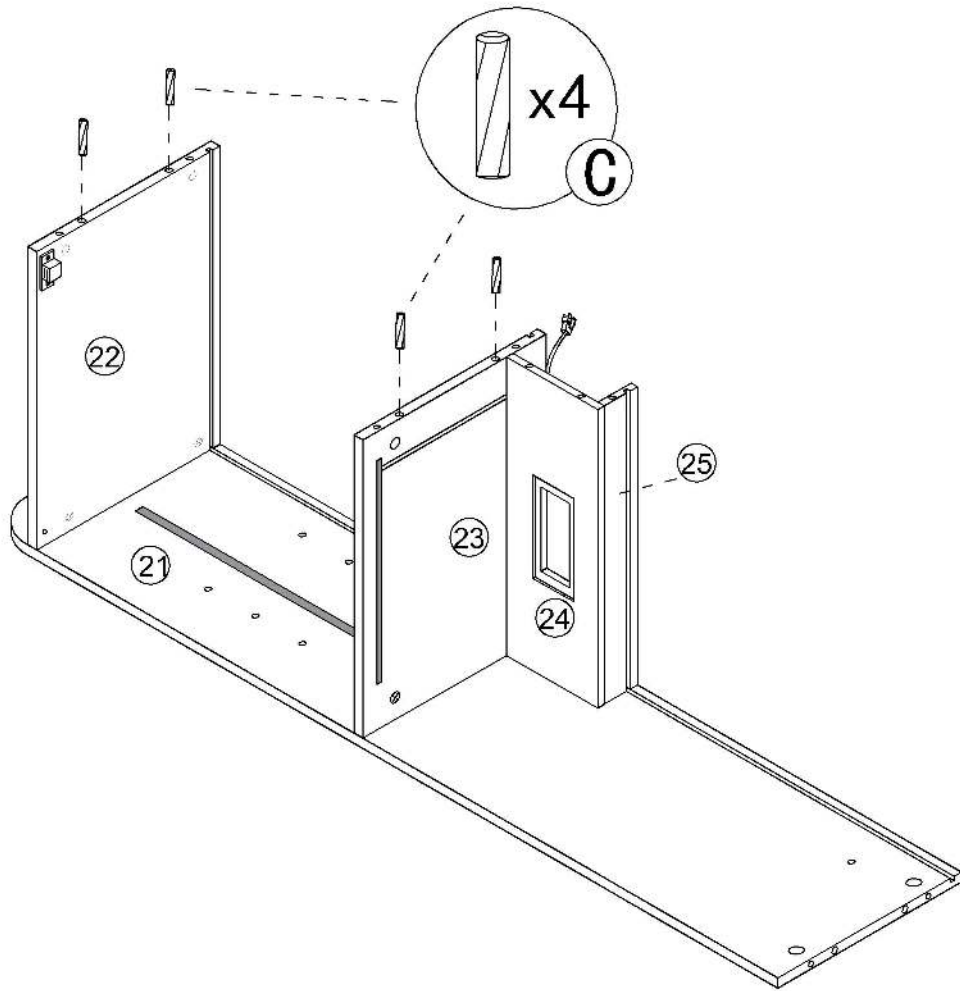
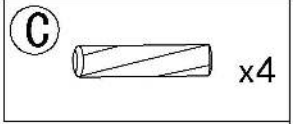
**B**  x5

**B**  x5

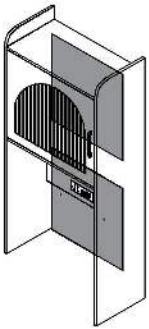
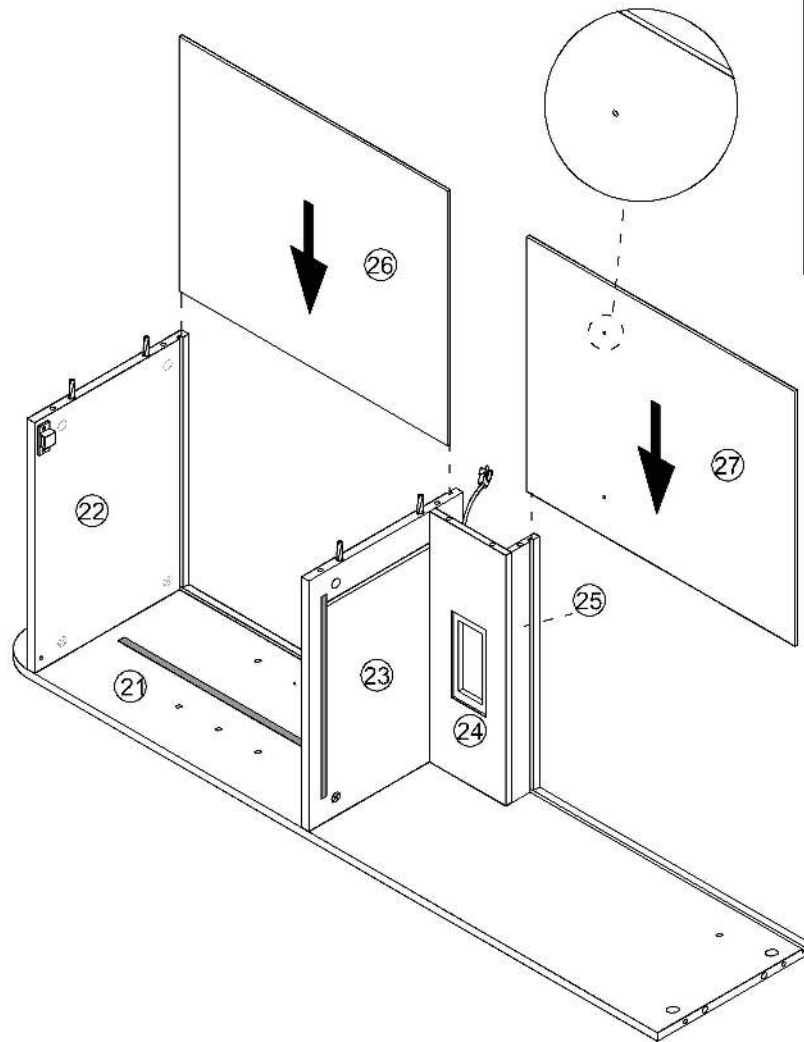
**B**  x5

the back

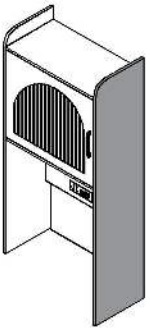
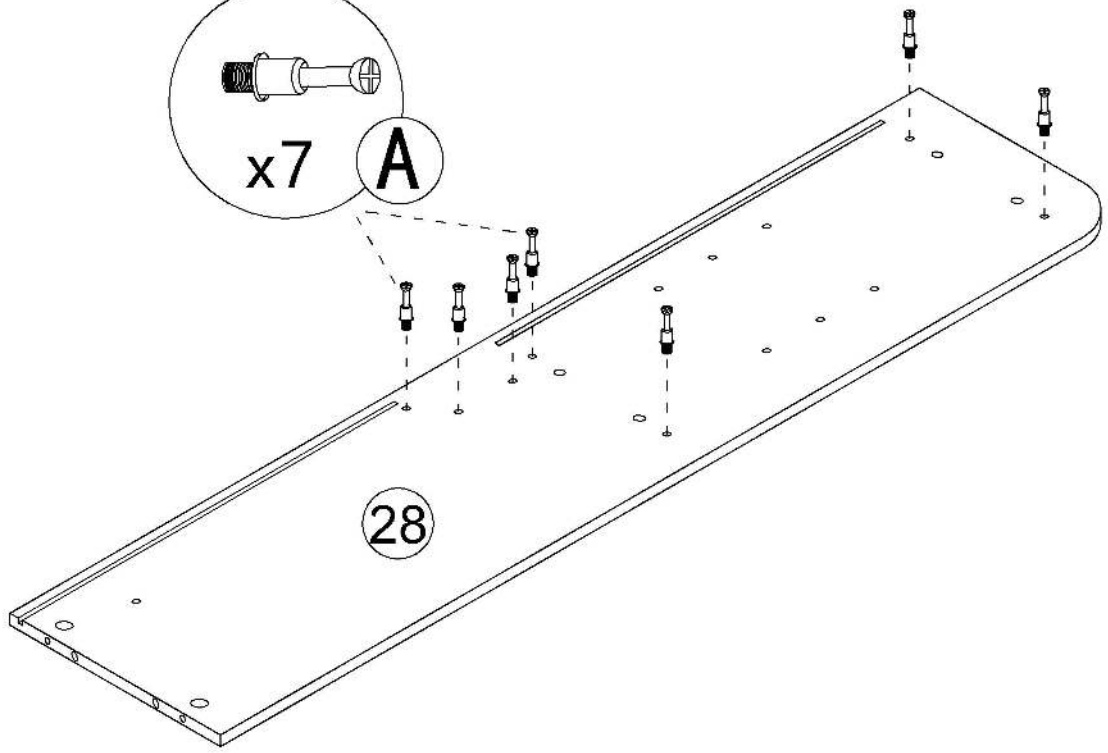
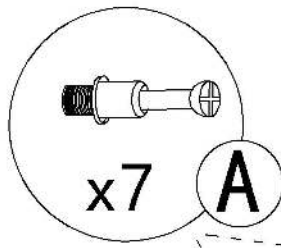
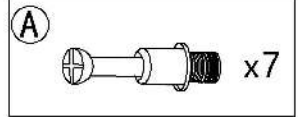
Step 56



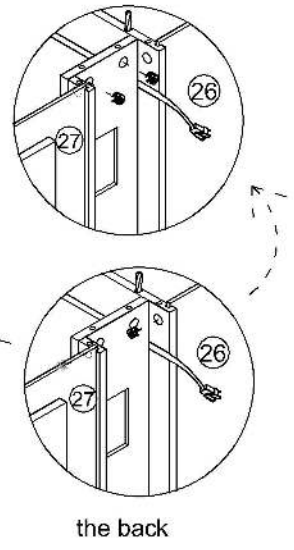
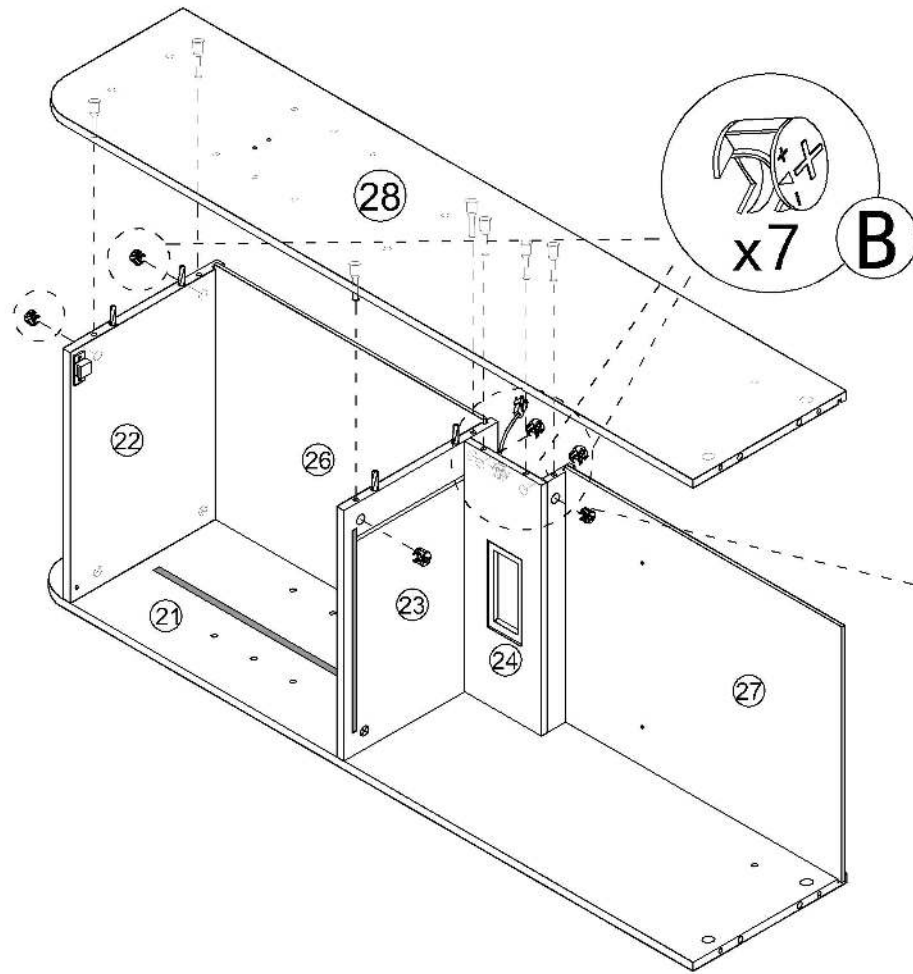
Step 57



Step 58

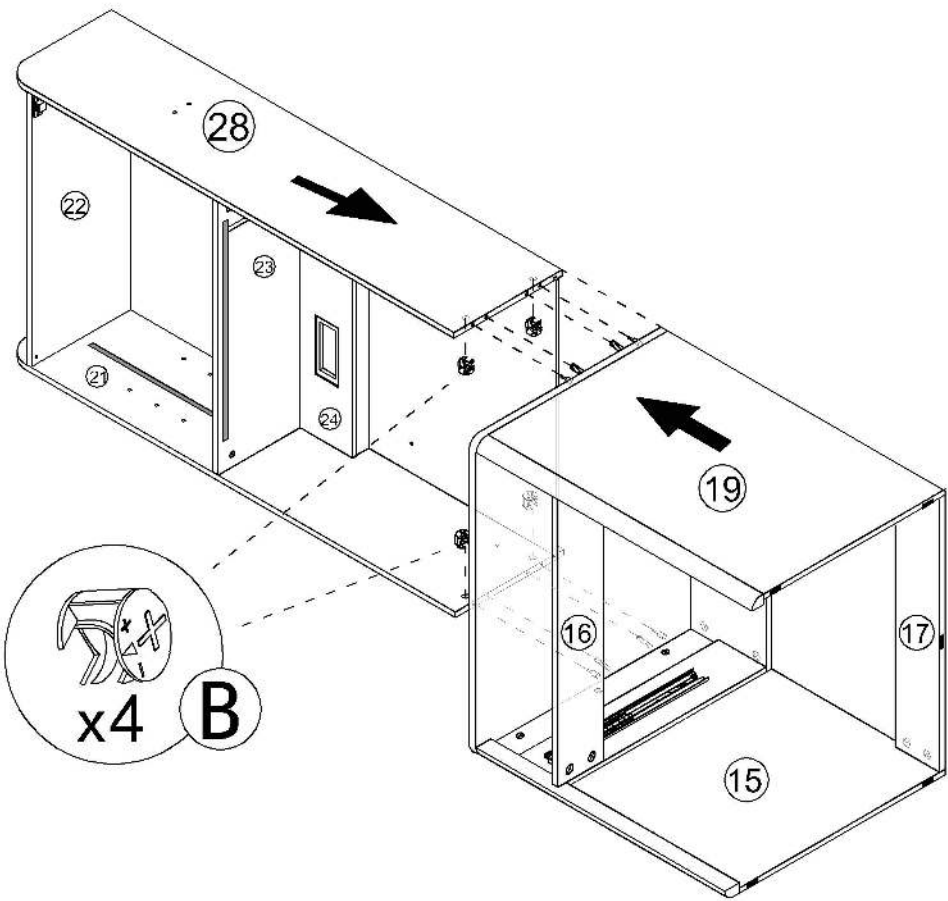


Step 59

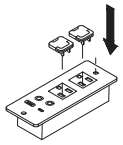


Step 60

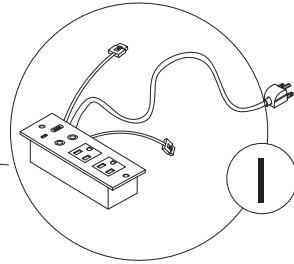
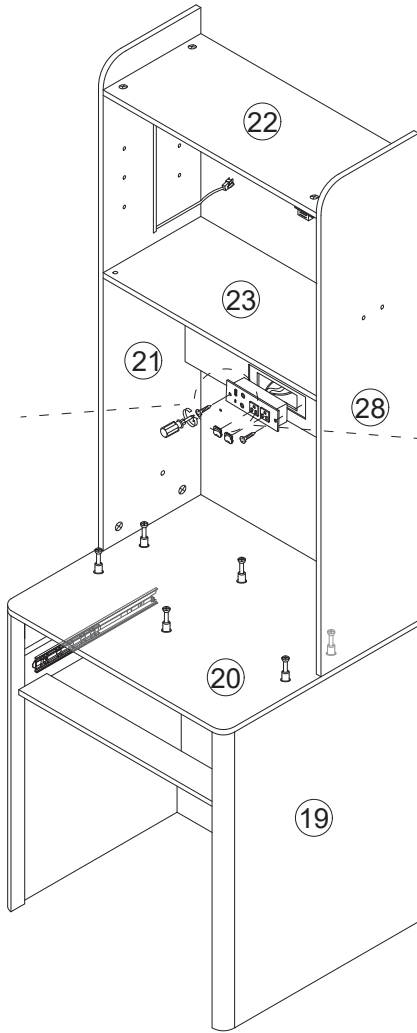
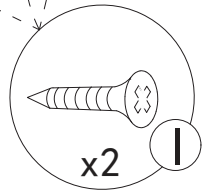
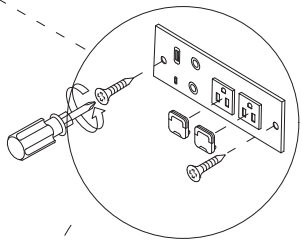
**B**  x4



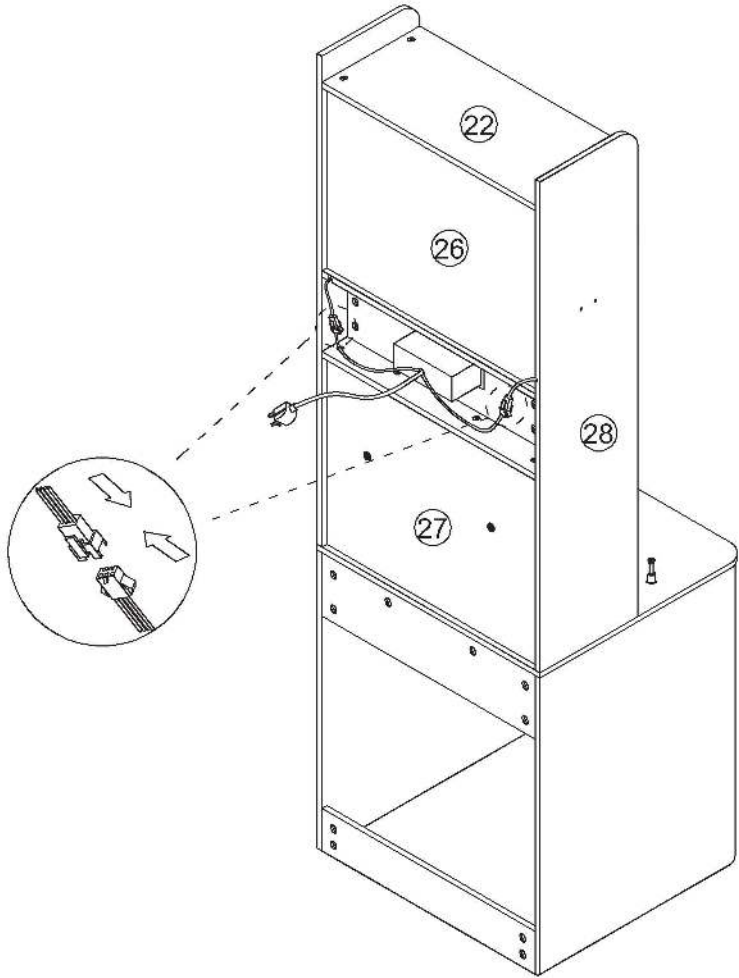
# Step 61



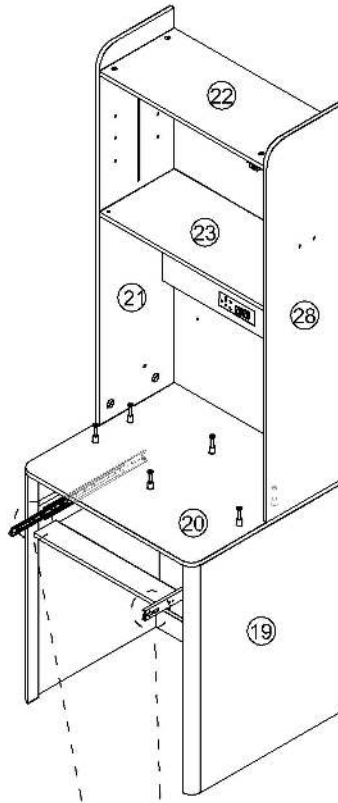
When you need to use it, you can take out the lid, which can effectively prevent water droplets from dripping in.



Step 62

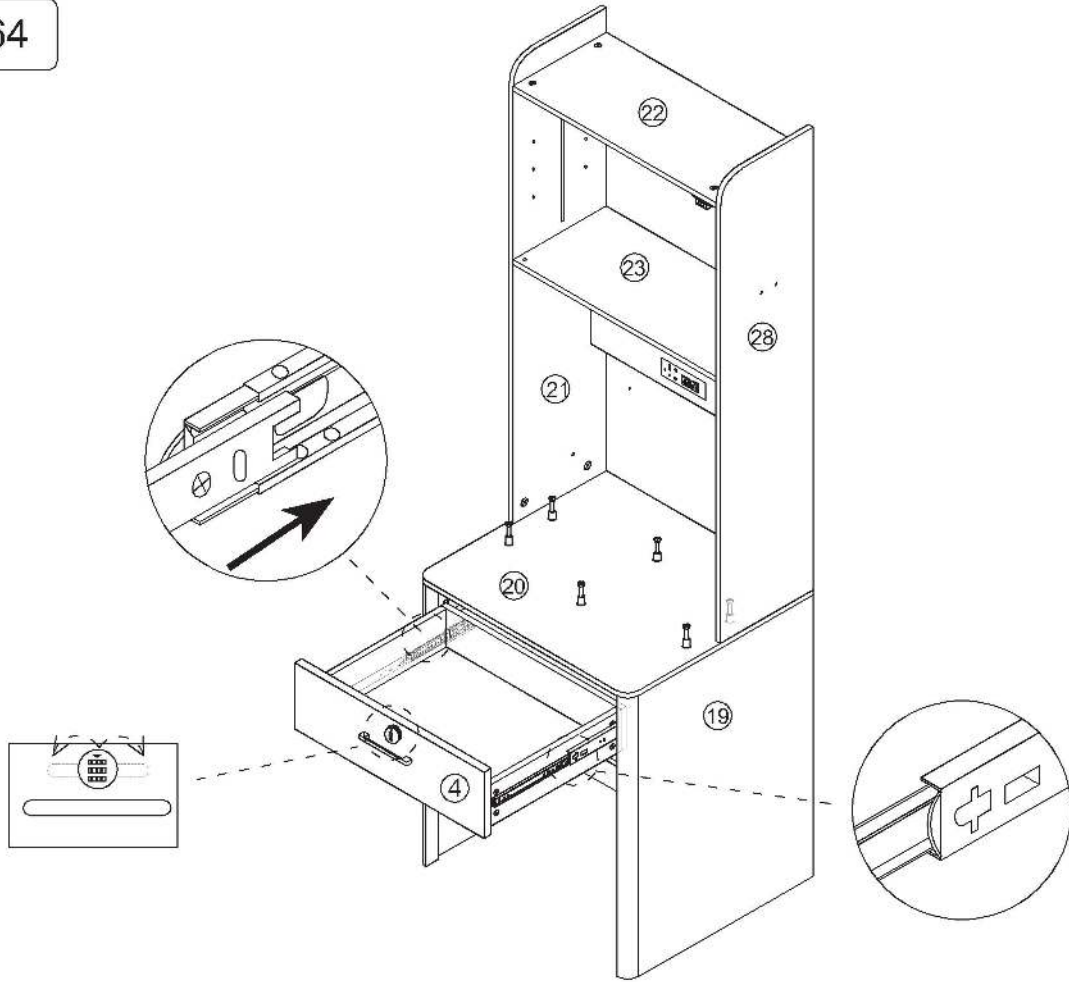


Step 63

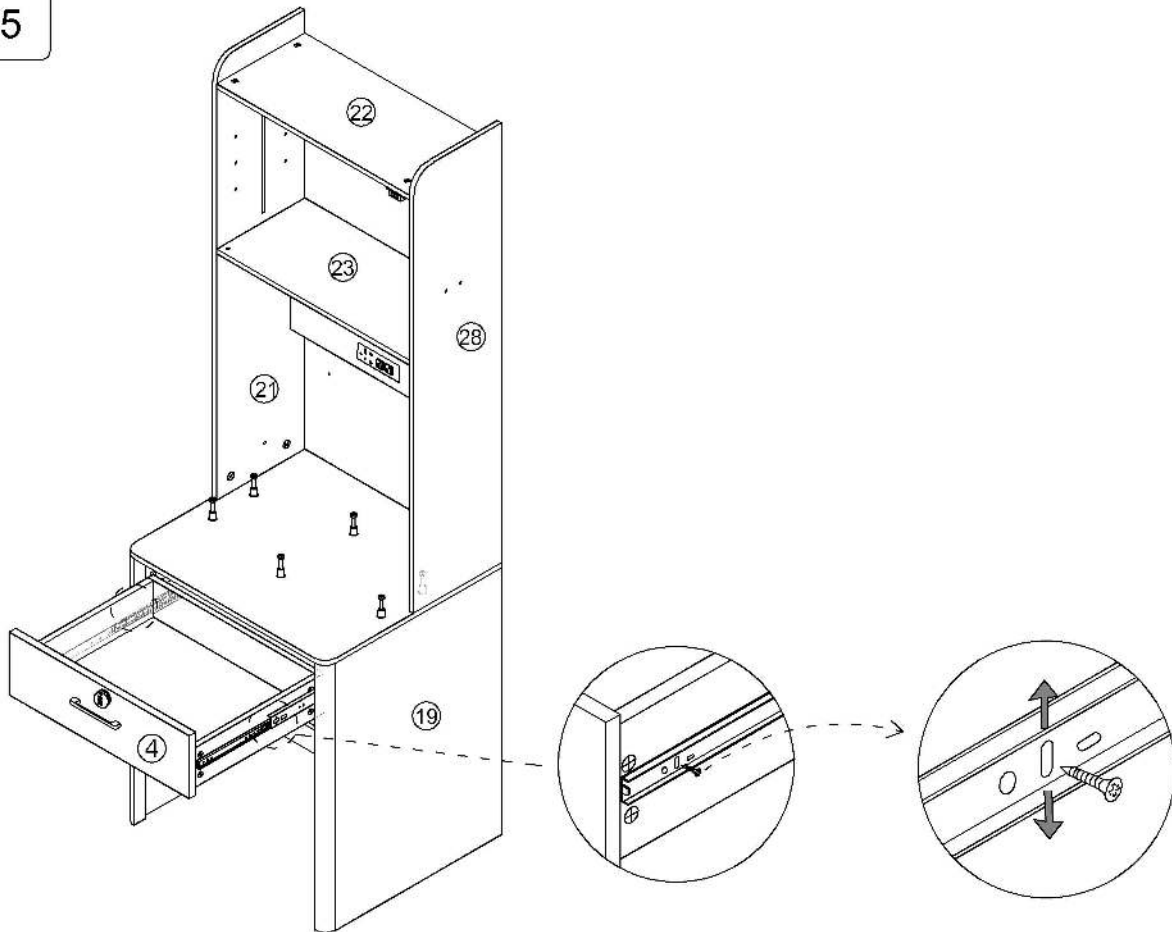


As shown, When installing the drawer,  
pull the guide rail out first, Slide beads are also pulled out.

Step 64

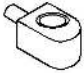


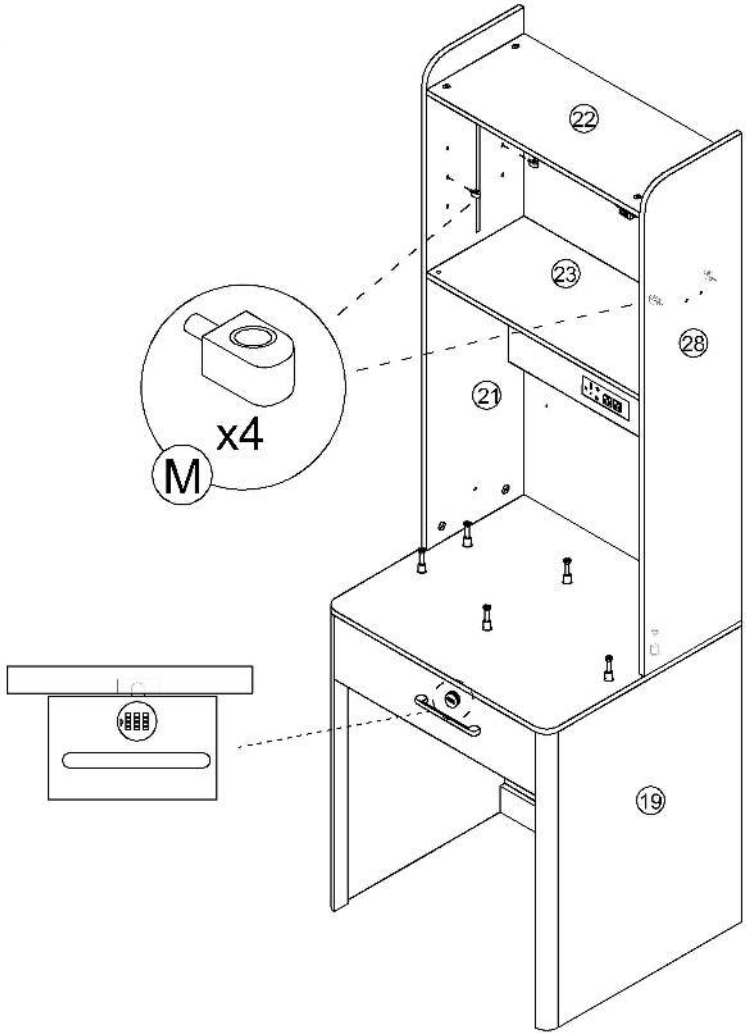
Step 65



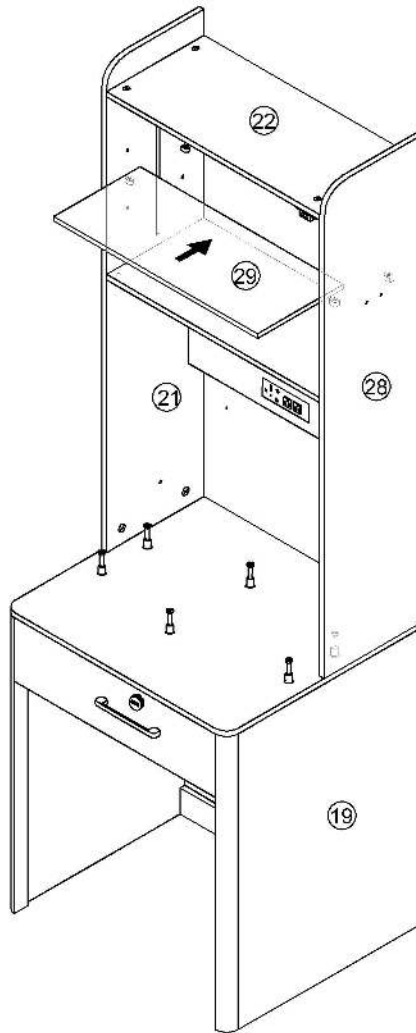
If a large gap is found after installing the drawer the slide rail can be moved up and down to adjust the gap

Step 66

M  x4







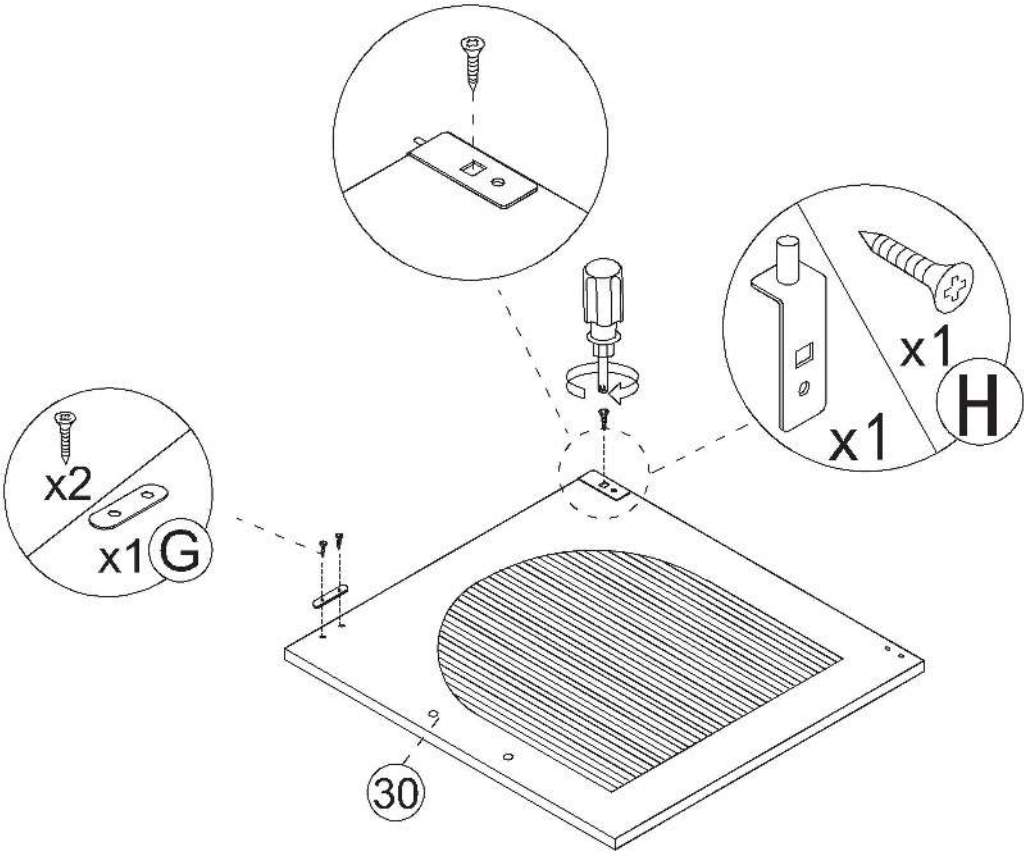
Step 67




29 x1

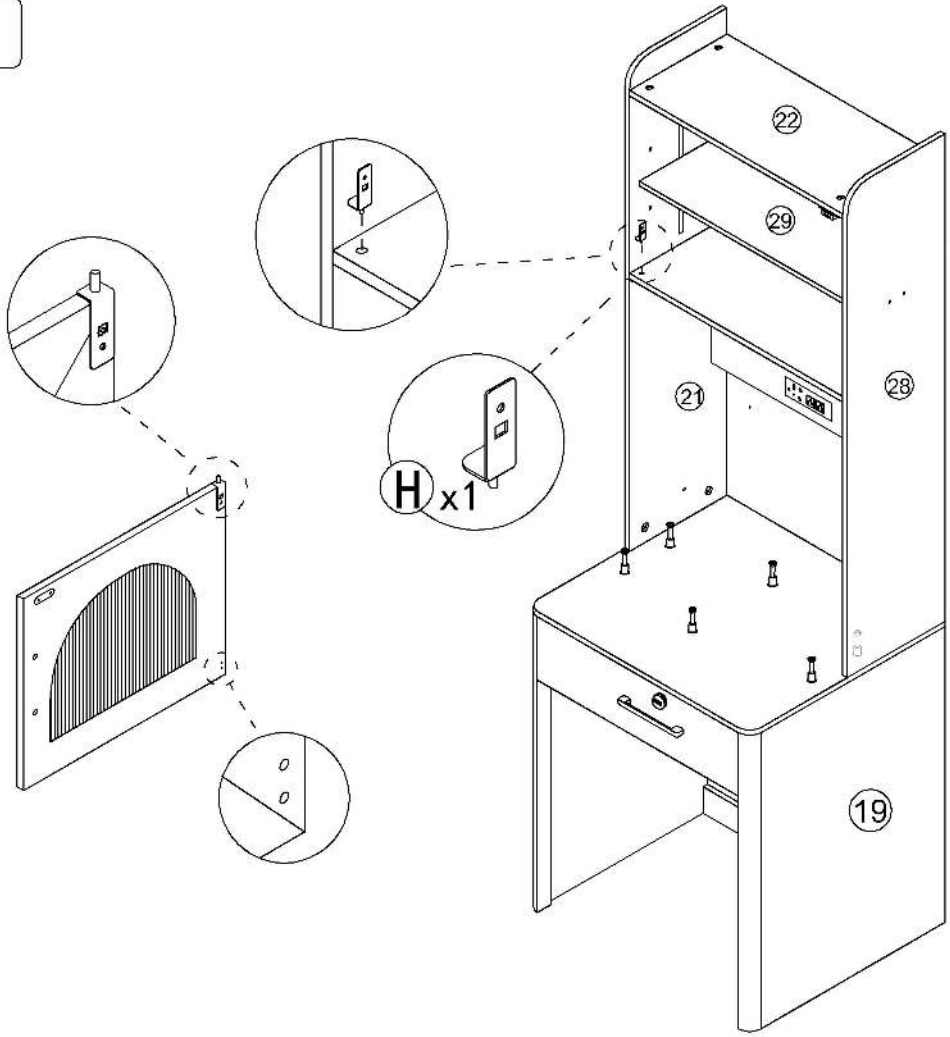
Step 68

- |     |   |   |
|-----|---|---|
| (H) |  |  |
|     | x1  | x1  |
| (G) |  |  |
|     | x1  | x2  |

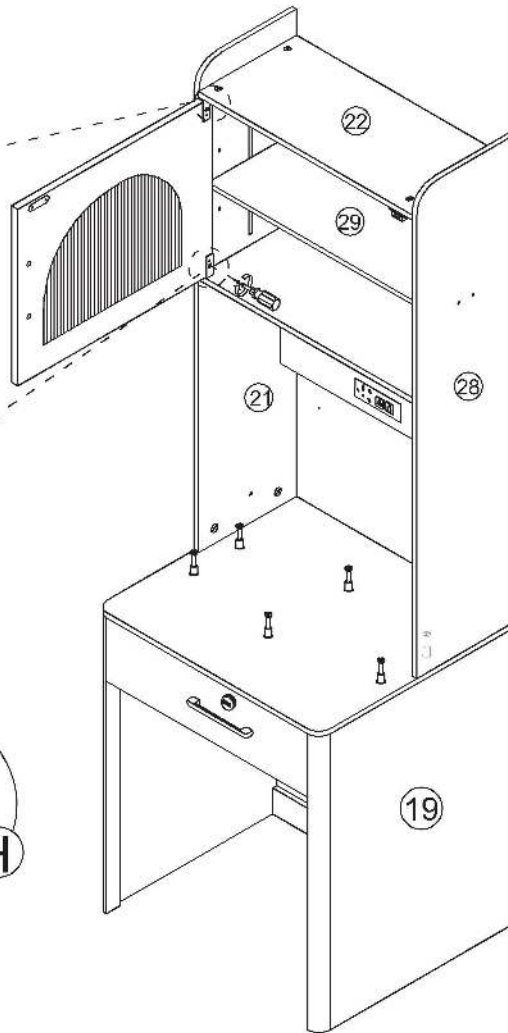
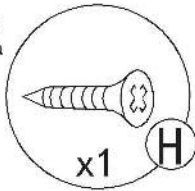
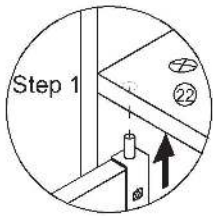
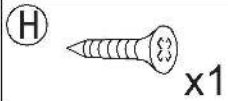


Step 69

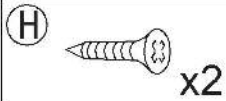
(H)  x1



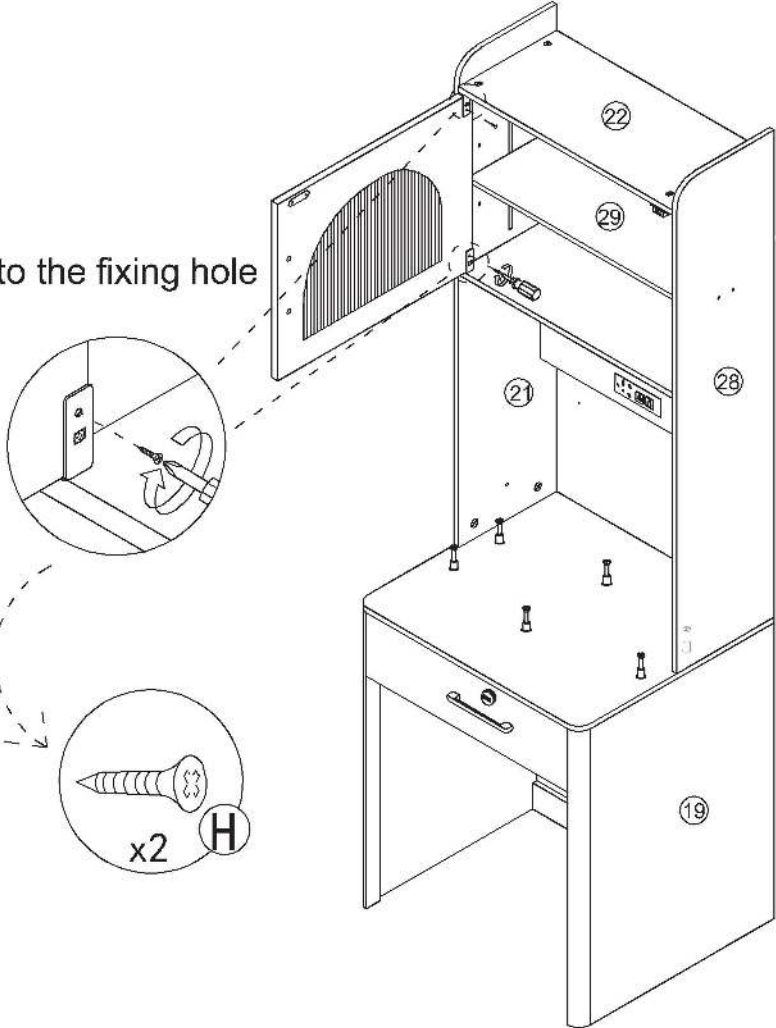
Step 70





Step 71

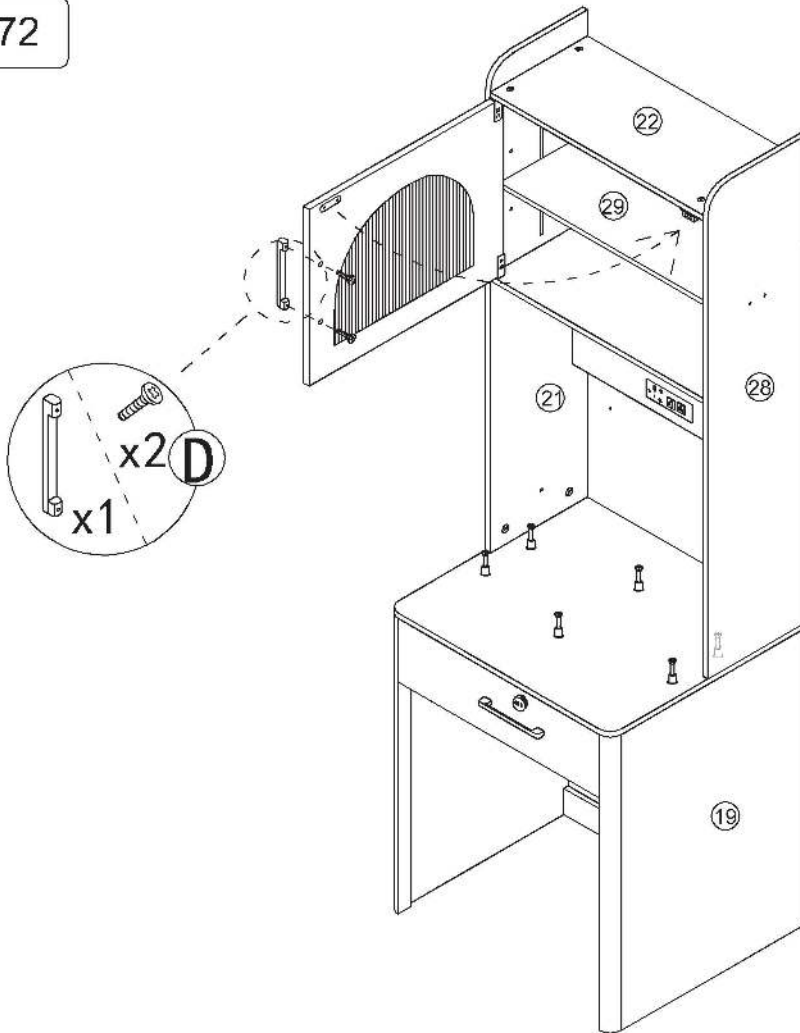


Tighten the screw into the fixing hole

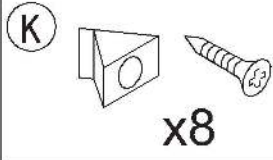
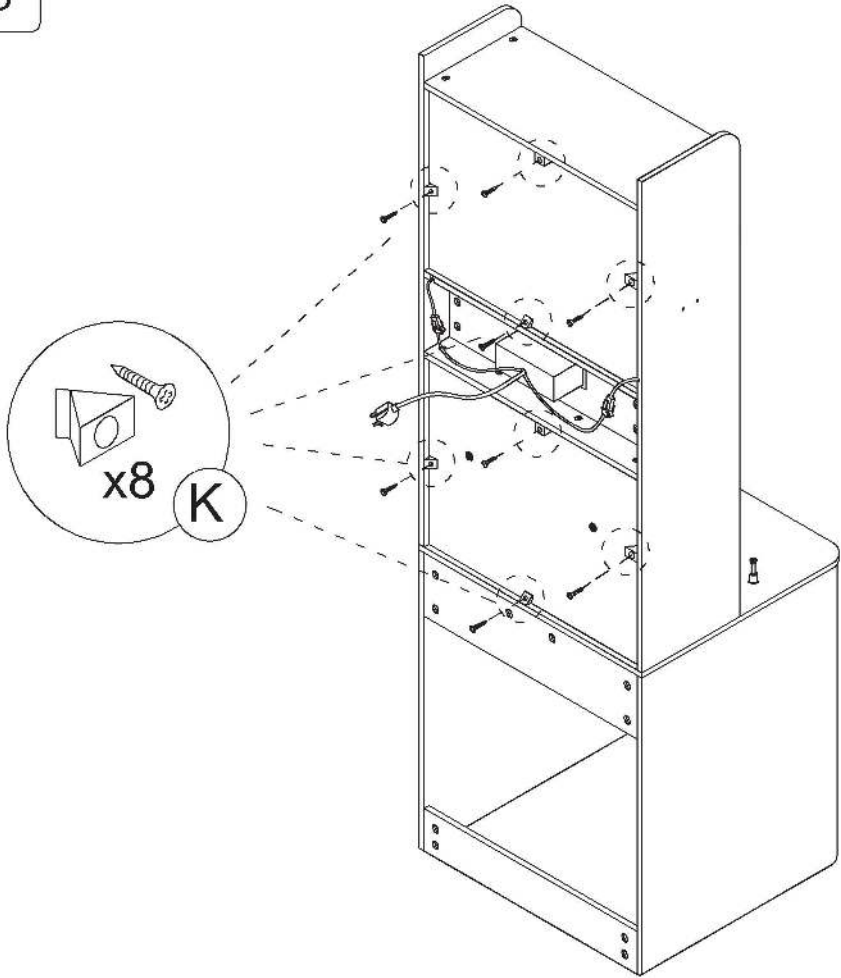


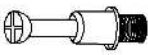

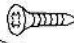
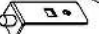







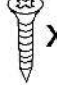
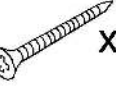

Step 72

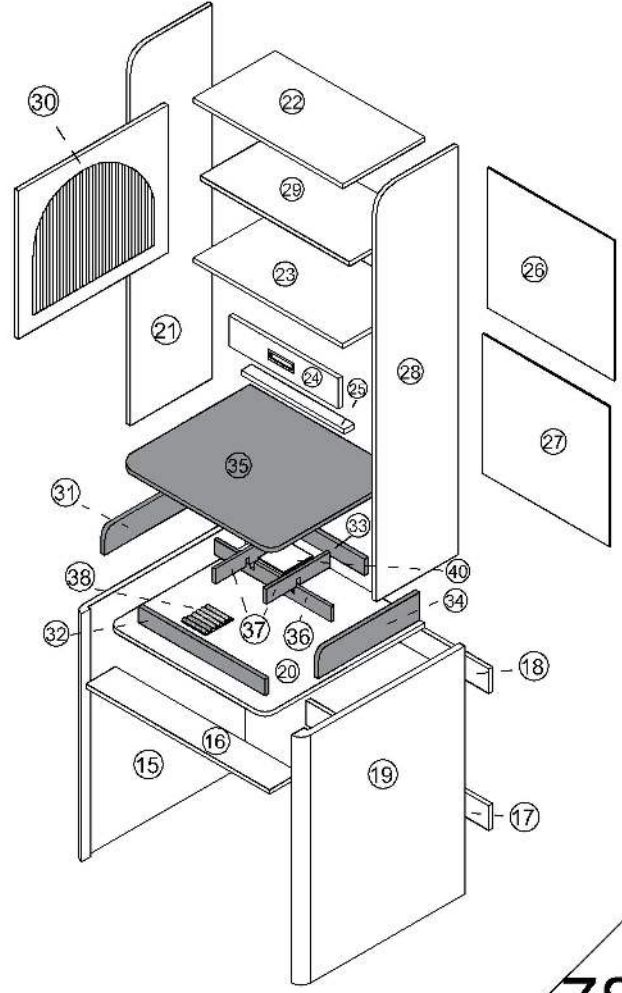
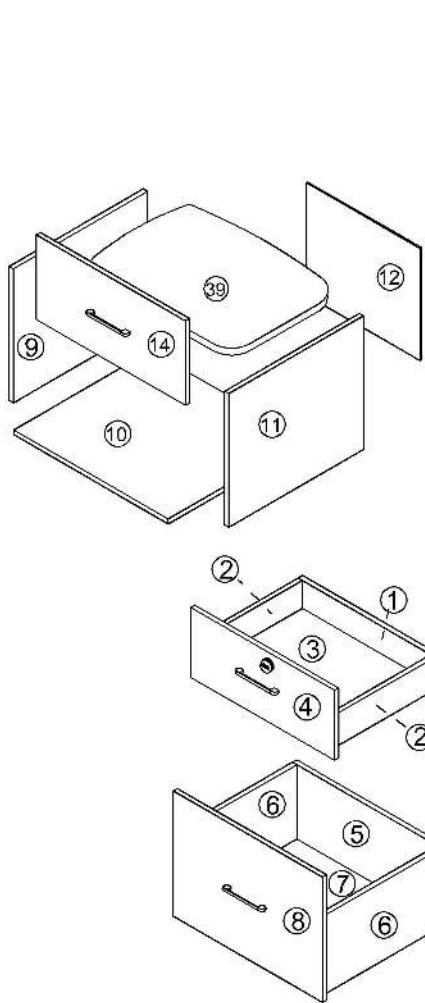
ⓓ  x1  x2



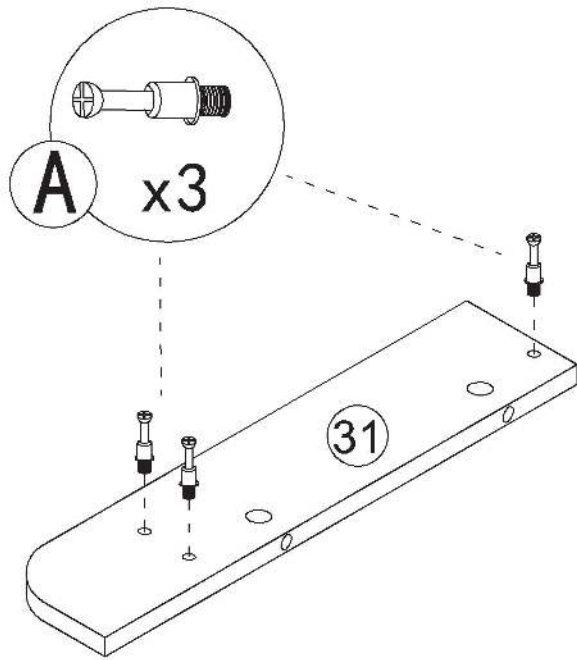
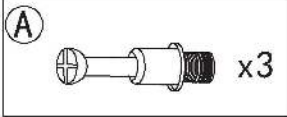
Step 73



<b>A</b>		6pcs
<b>B</b>		12pcs
<b>H</b>		4pcs
		2pcs
<b>J</b>		2pcs
<b>L</b>		4pcs
		2pcs
<b>O</b>		2pcs
		1pcs
<b>Q</b>	 x2	
	 x2	
	 x2	
	 x2	
	 x4	

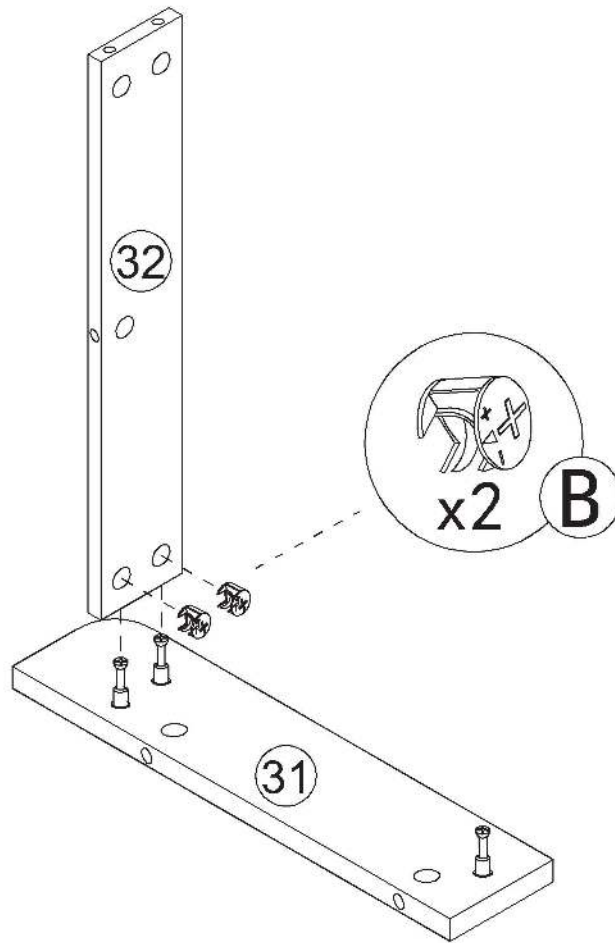


Step 74



Step 75

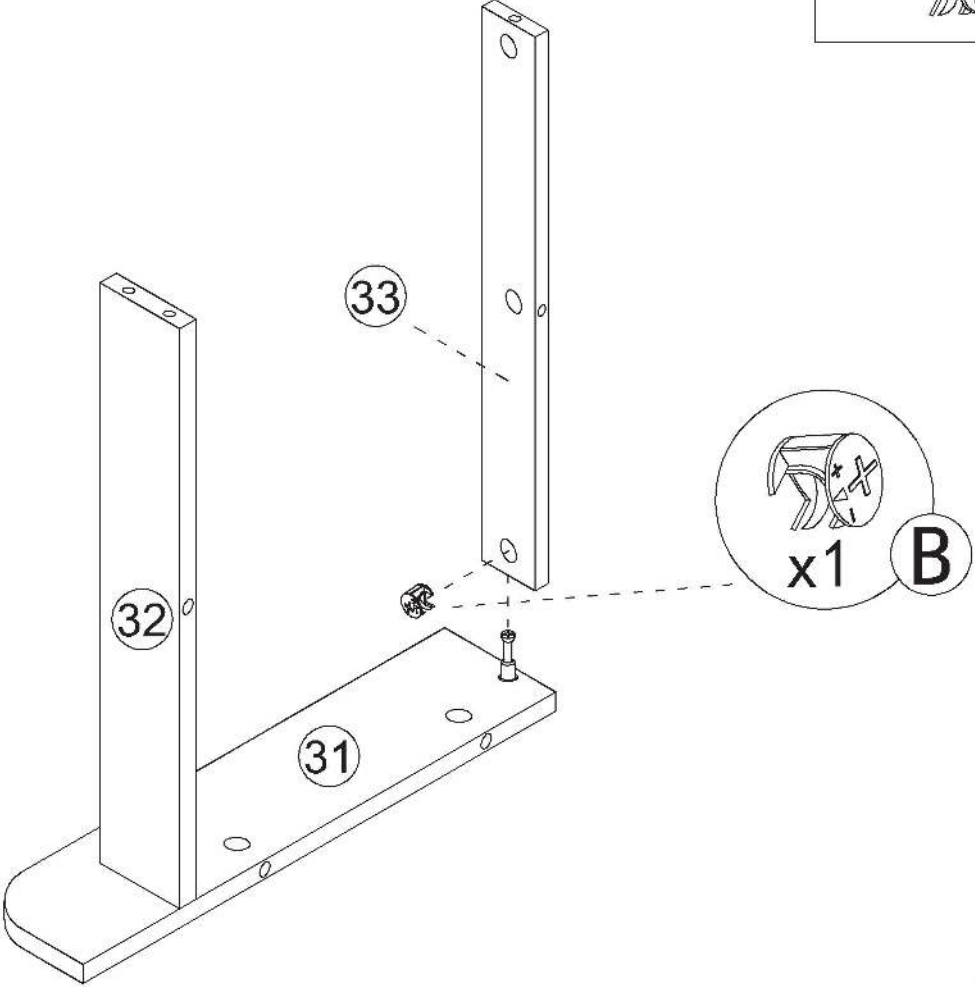
**B**  x2



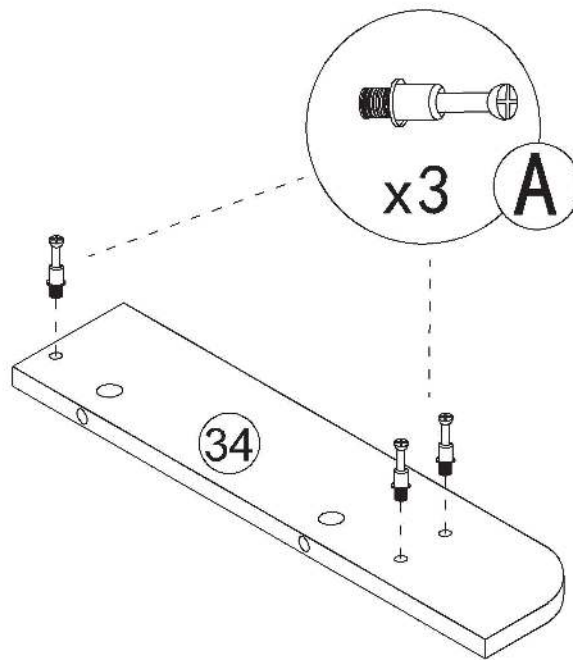
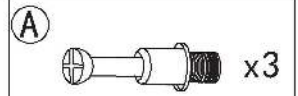
80

Step 76

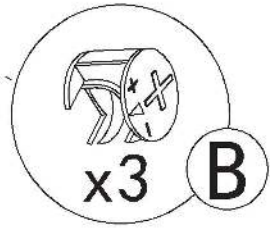
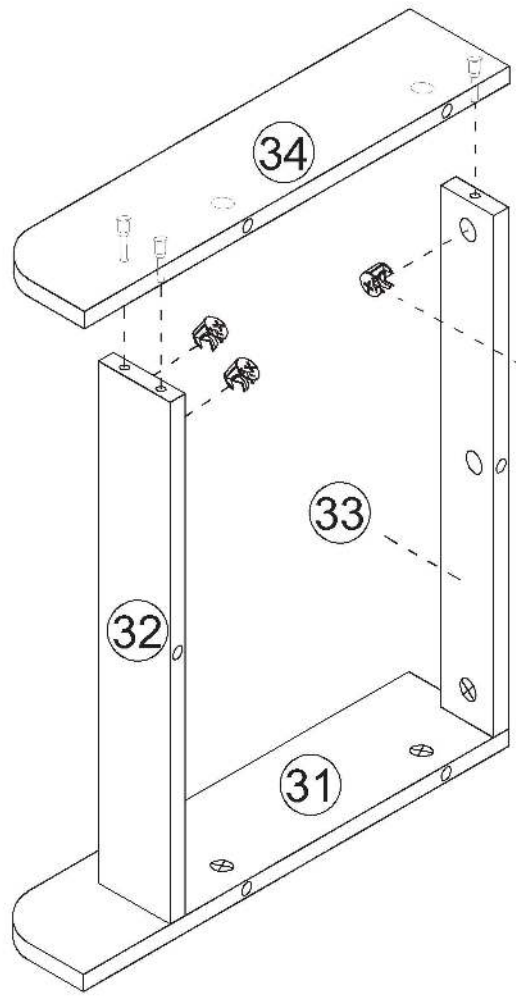
**B**  x1



Step 77

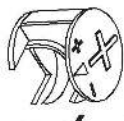


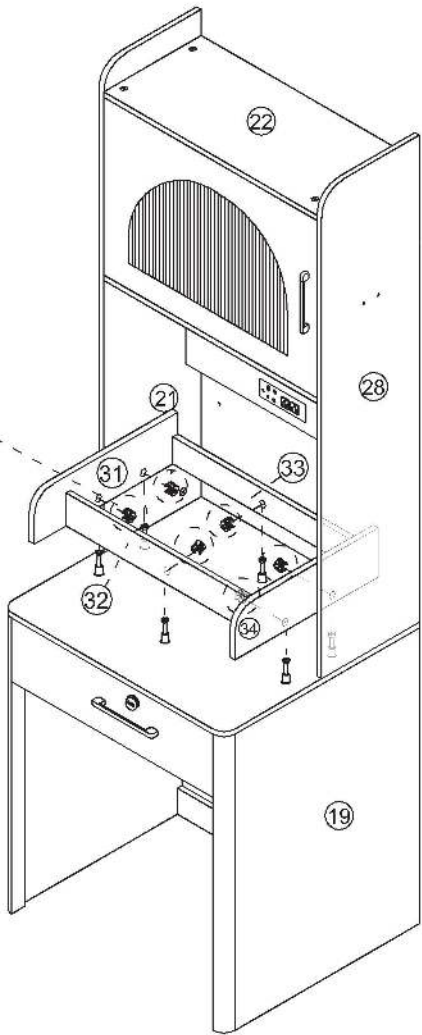
Step 78



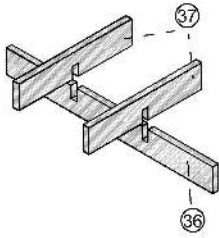
Step 79

**B**  x6

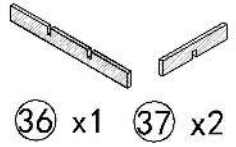
 x6 **B**



Step 80

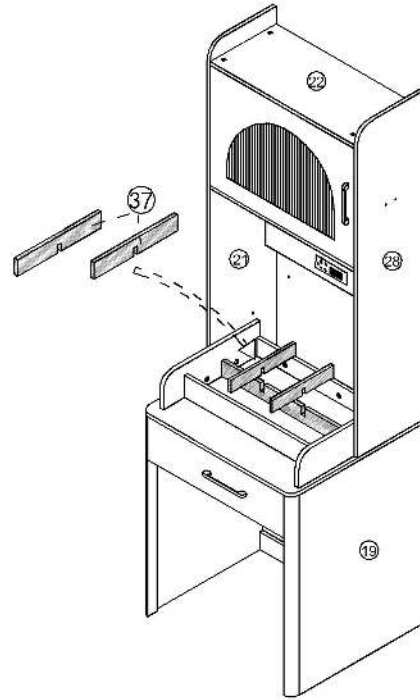
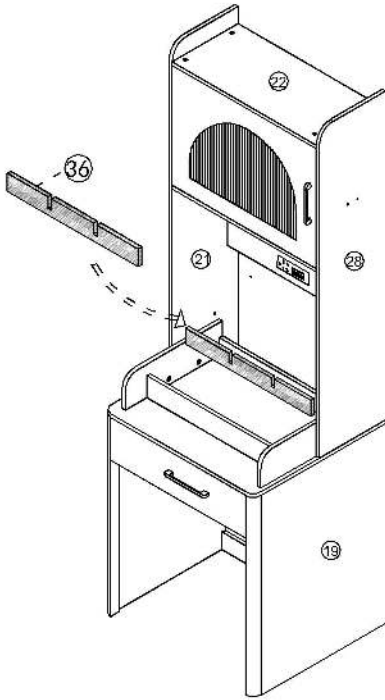


Insert board number 37 onto board number 36



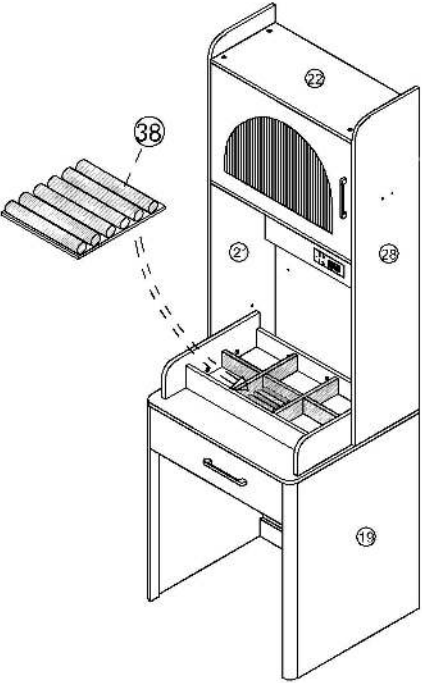
Step 1

Step 2

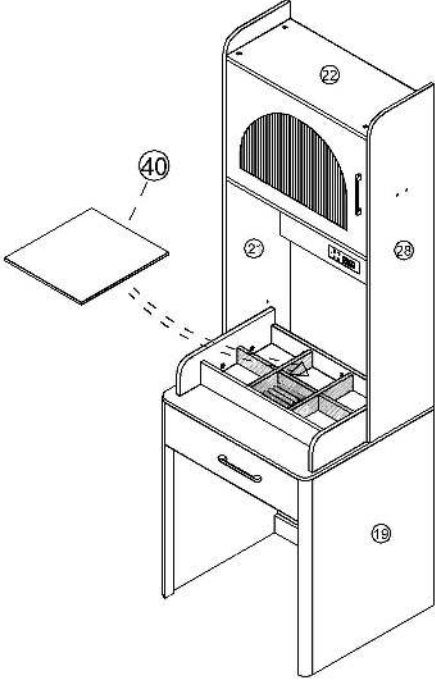


Step 81

Step 3



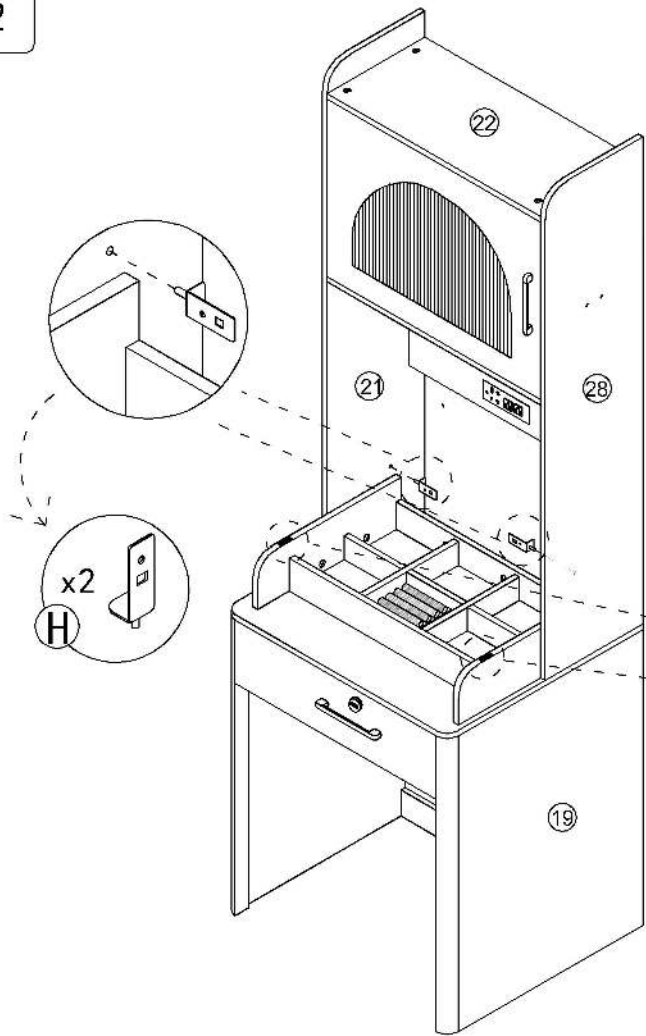
Step 4



38 x1  
40 x1


A legend box containing two items: a tray labeled 38 x1 and a square panel labeled 40 x1.

Step 82

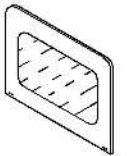
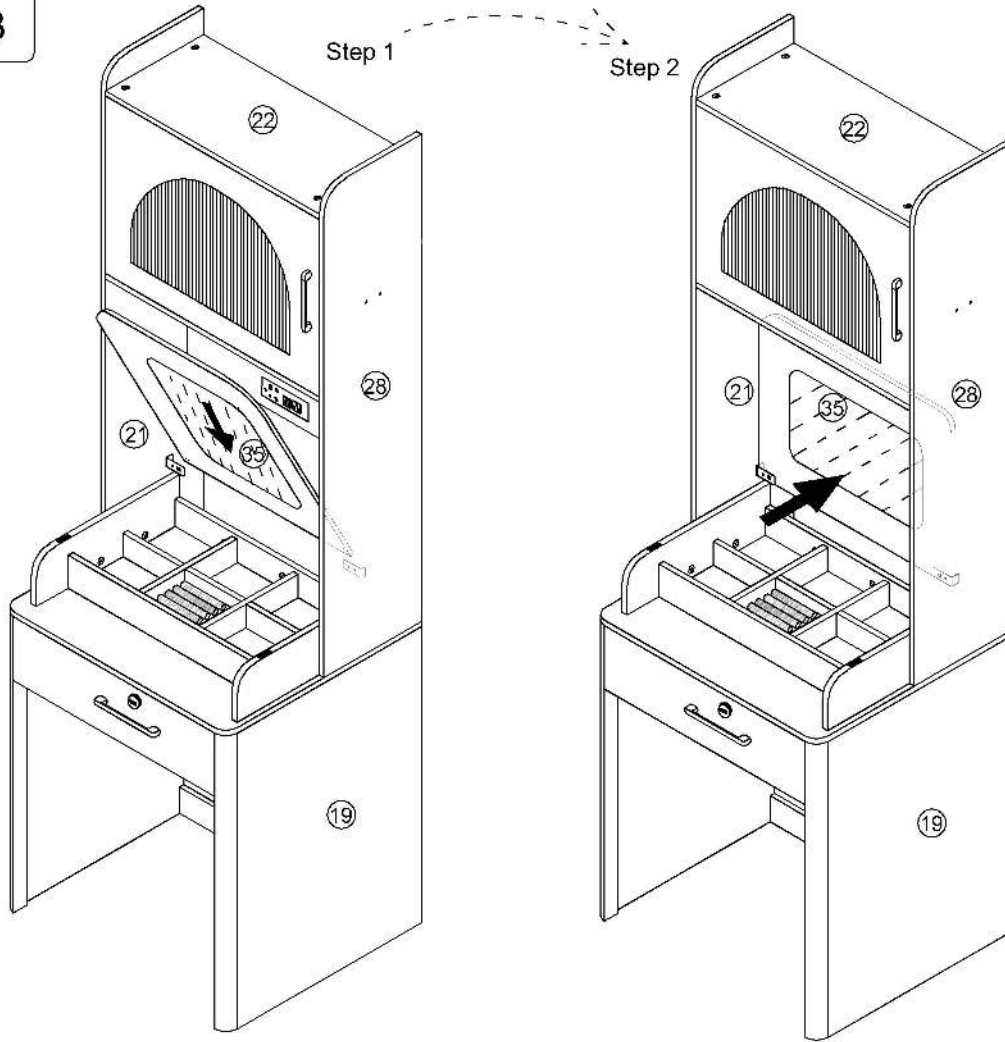


(H)  x2

(J)  x2  
Tear off the foot pad sticker and stick it on the board

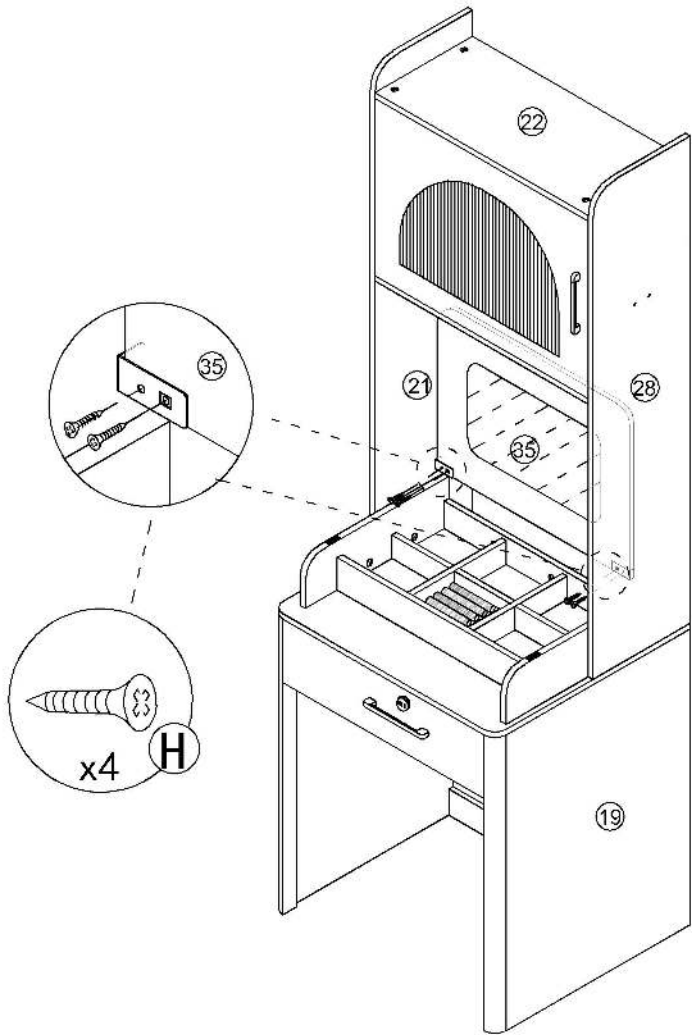
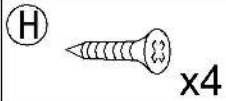
 x2 (J)

# Step 83



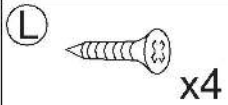
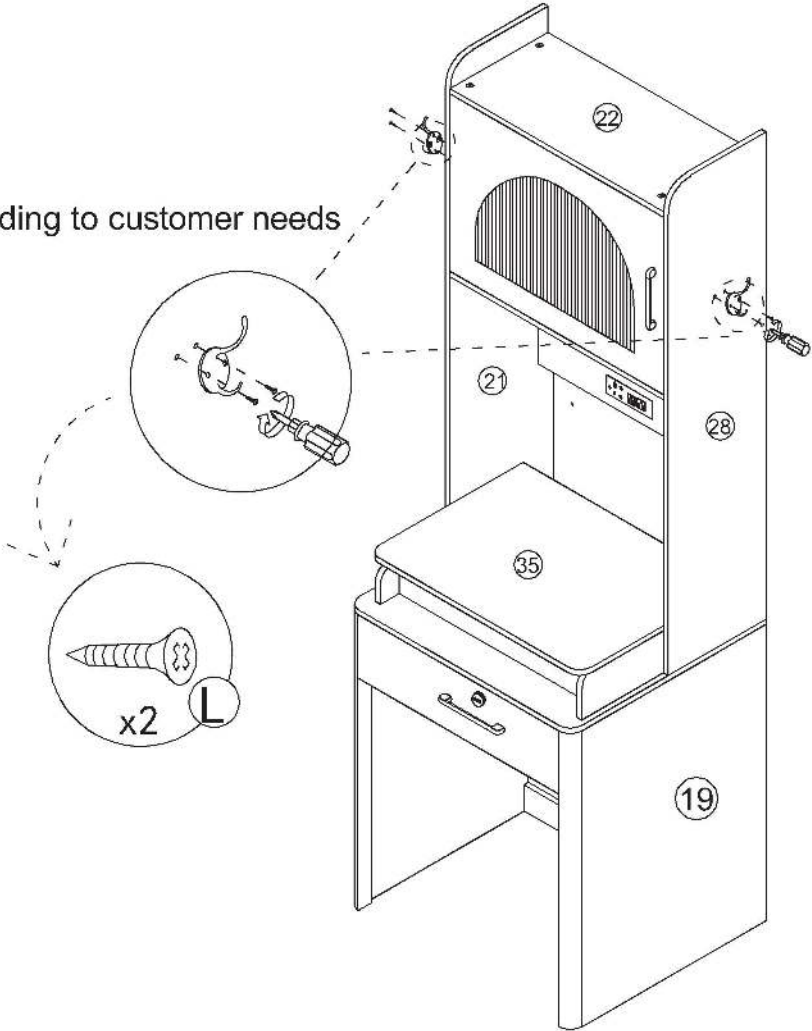
35 x1

Step 84

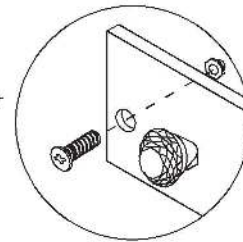
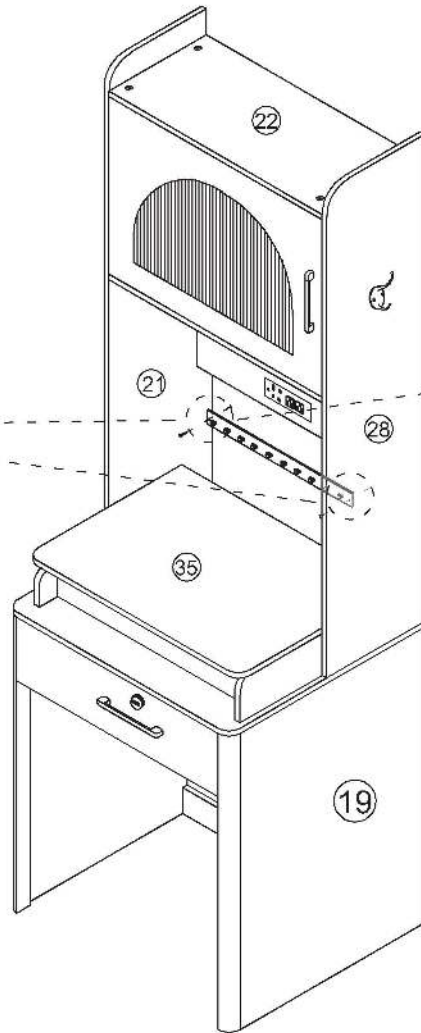
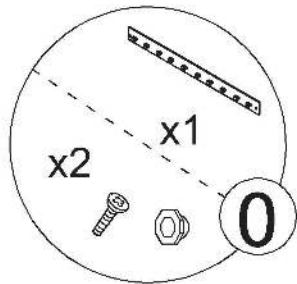


Step 85

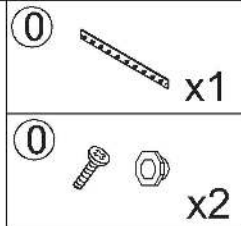
Hooks can be installed according to customer needs



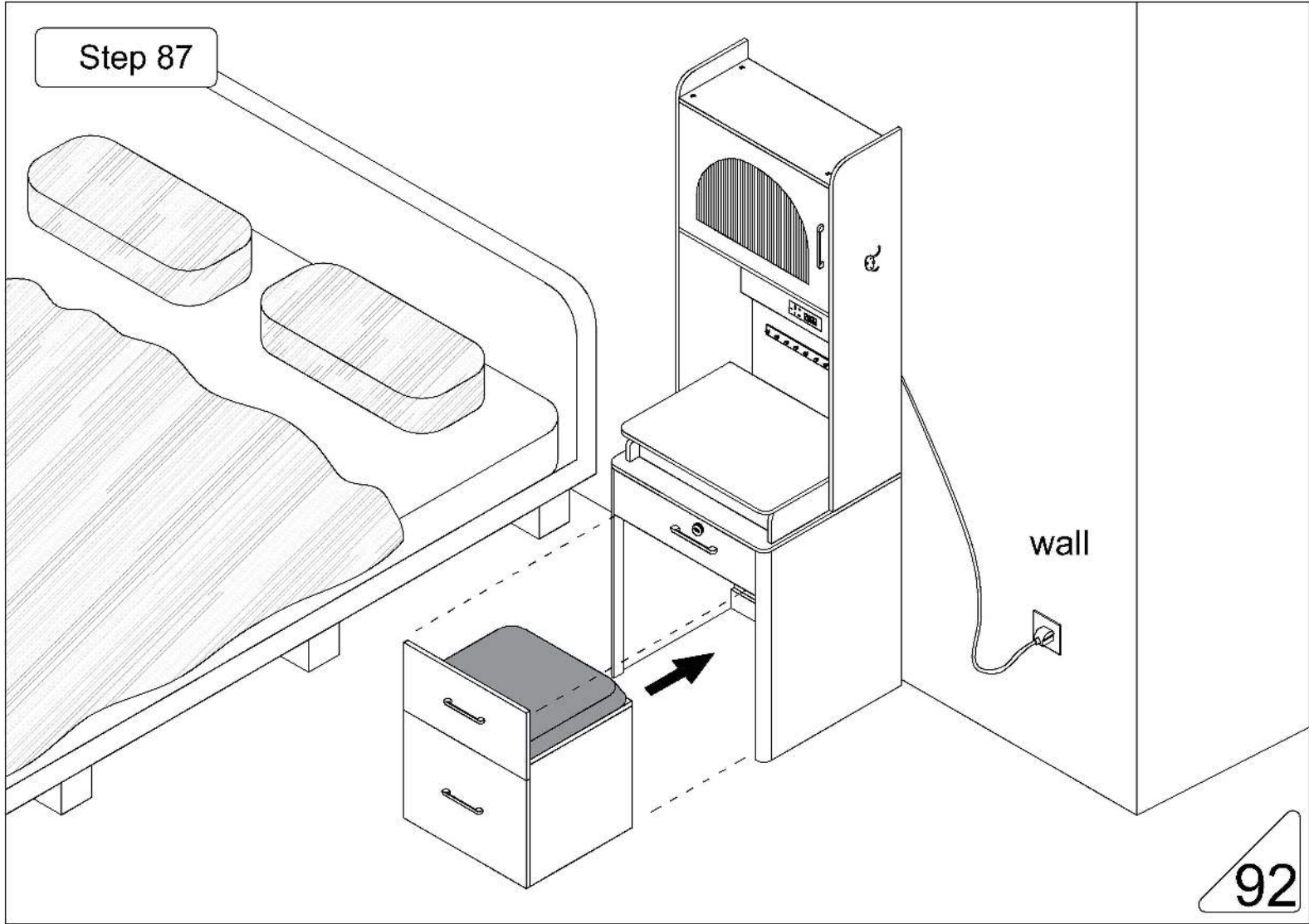
Step 86



Pay attention to the direction of the crystal hook

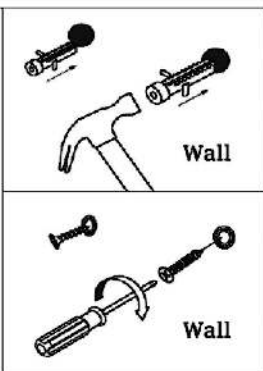
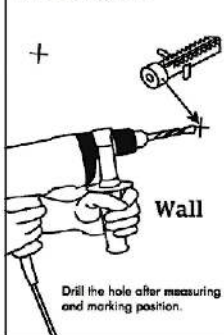


Step 87

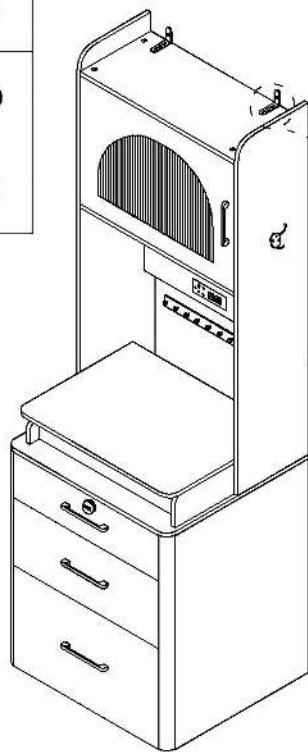
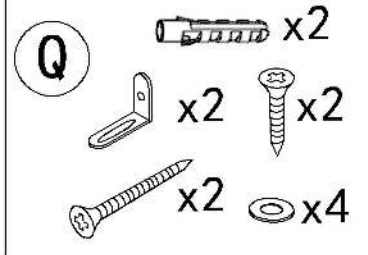


# Step 88

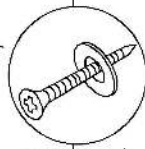
## Wall Mount



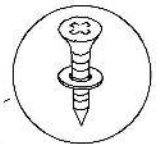
Install as required



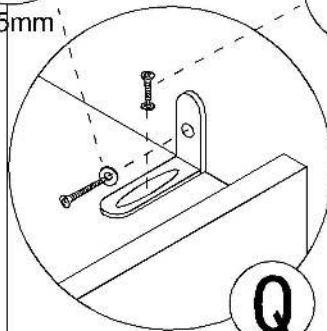
wall



4x45mm



3.5x14mm



Q



## User's Guide

Thank you for purchasing this product.

To use this product, please plug it into a 12V DC power supply.

Please use if the product works normally after connecting to power.

## Introduction

The box is an intelligent controller. It has 1 USB output port 1 Type-c port and can distribute the current output up to 5V DC-2A. With 2 touch buttons, it can turn ON/OFF the light, change light colors, and adjust the light luminance.

## Operation



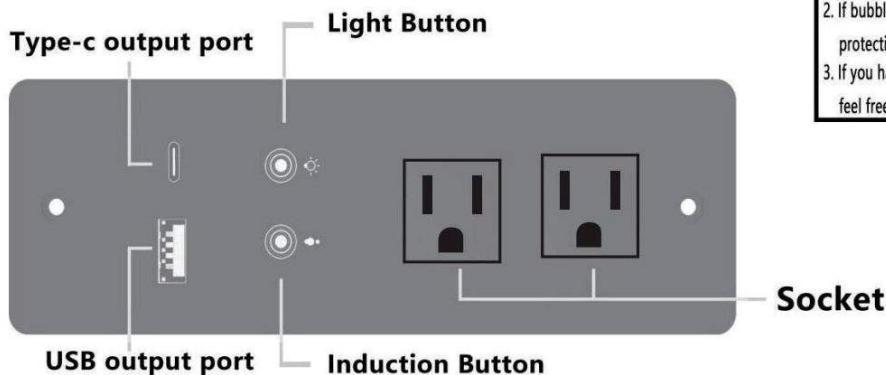
This touch button is used to turn on/off, change colors, and adjust brightness.

- A. Short touch -> lighting on -> short touch -> change light color -> short touch -> change light color -> short touch -> lighting off.
- B. Long touch -> adjust the luminance.



This touch button is used to turn on/off the induction function.

- A. Short touch to turn on the induction function. It can auto-turn on the light when people are close to the controller in 1 meters. It can auto power off the light when the body is far away from the controller after 30 seconds.
- B. Long touch to turn off the induction function.
- C. Note: When you touch the light button to change the light modes, the induction function will automatically turn off. It is best to turn on this function after selecting the light color and adjusting the brightness you want.



### ATTENTION PLEASE

1. If there is no touch response suddenly, Re-plug the power to reset the touch static electricity.
2. If bubbles appear on the panel, remove the protective film.
3. If you have any questions when installing, please feel free to contact us. Thank you.