

ASSEMBLY INSTRUCTION

ASSEMBLY TIPS:

1. Remove hardware from box and sort by size.
2. Please check to see that all hardware and parts are present prior to start of assembly.
3. Please follow attached instructions in the same sequence as numbered to assure fast & easy assembly.

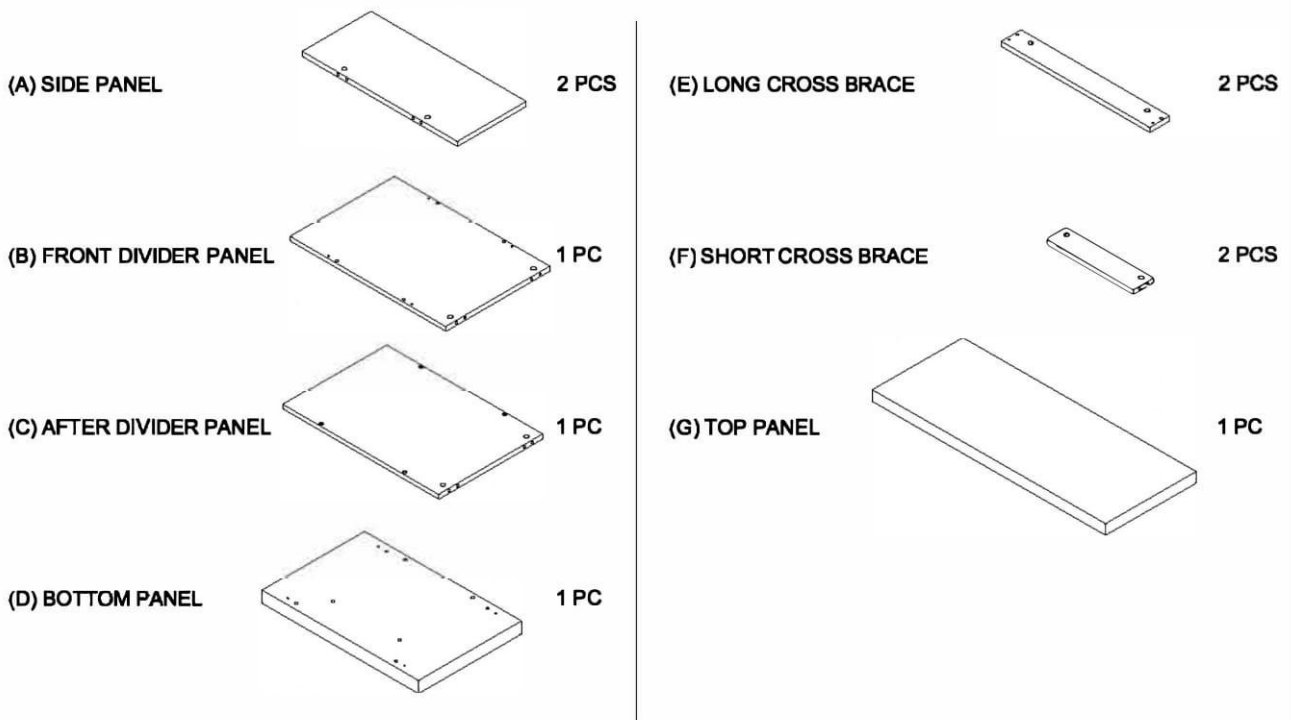










Warning!

1. Don't attempt to repair or modify parts that are broken or defective. Please contact the store immediately.
2. This product is for home use only and not intended for commercial establishment.

ASSEMBLY TIME PER UNIT: 30 MINUTES

PARTS IDENTIFICATION:

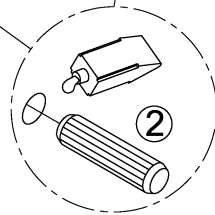
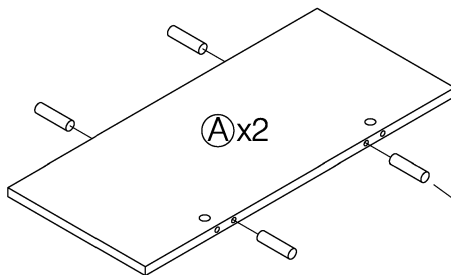
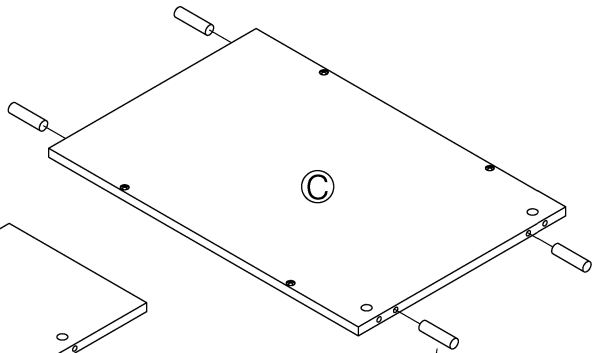
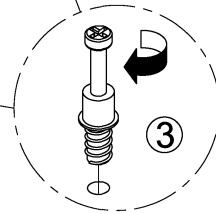
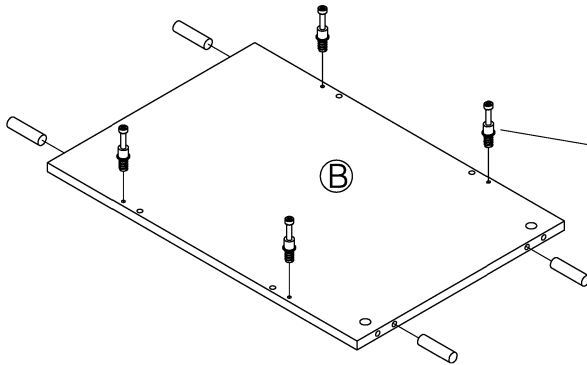
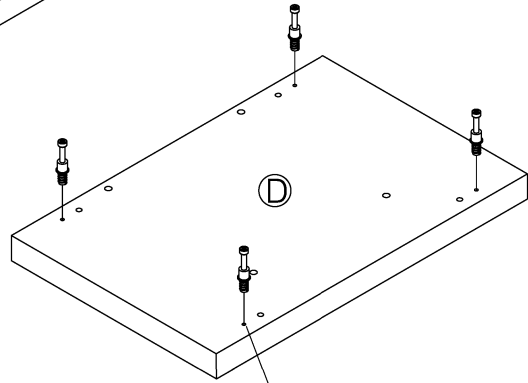
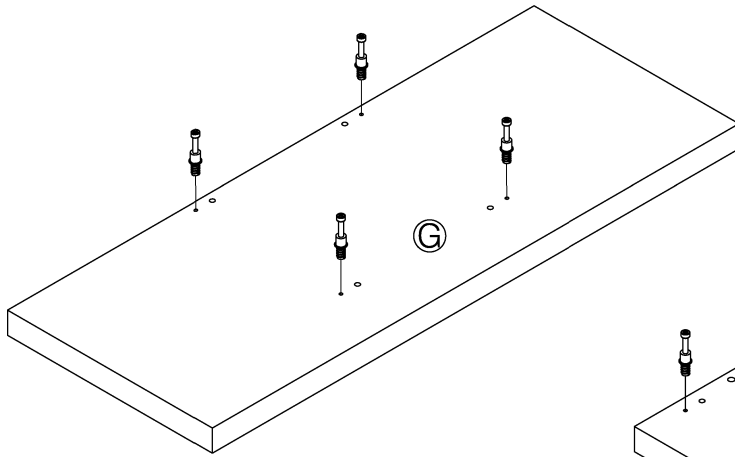


Z	HARDWARE PACKAGE						
NO	DESCRIPTION	FIGURE	Q'TY	NO	DESCRIPTION	FIGURE	Q'TY
1	GLUE 40g		1 PC	5	BOLT $\phi 9.5 \times 55 \text{mm}$		4 PCS
2	WOODEN DOWEL $\phi 8 \times 30 \text{mm}$		24 PCS	6	SCREW $\phi 4.5 \times 42 \text{mm}$		4 PCS
3	CAM BOLT $\phi 7 \times 35.5 \text{mm}$		16 PCS	7	PLASTIC FEET $\phi 15 \text{mm}$		4 PCS
4	CAM LOCK $\phi 15 \times 12 \text{mm}$		16 PCS	8	STICKER $\phi 20 \text{mm}$		3 PCS

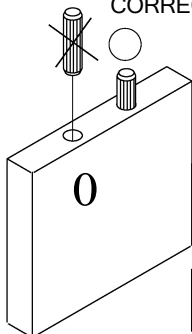
STEP 1 :

②
x 16

③
x 12

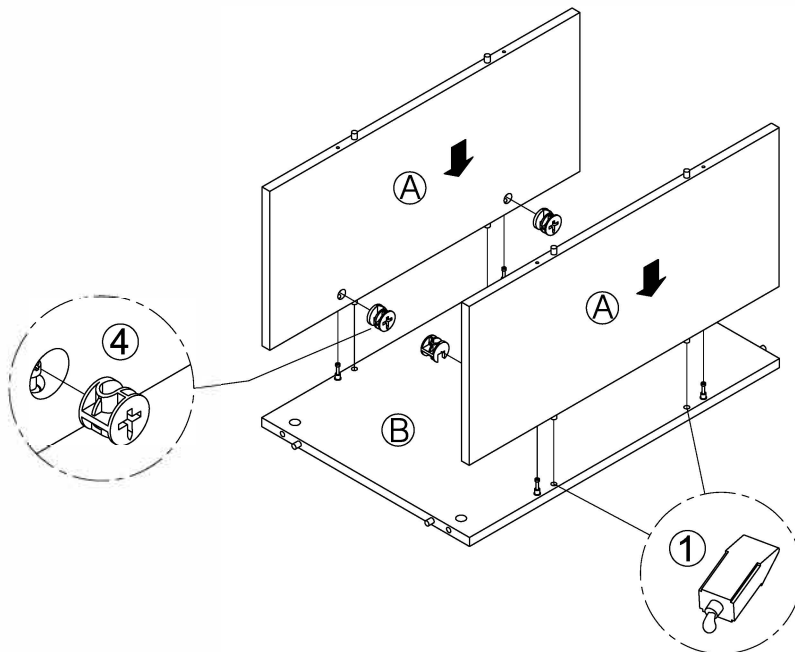


INCORRECT CORRECT

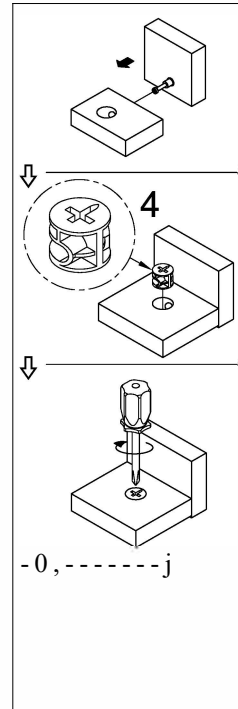


Apply glue on all wooden dowels
to ensure integrity of the structure.

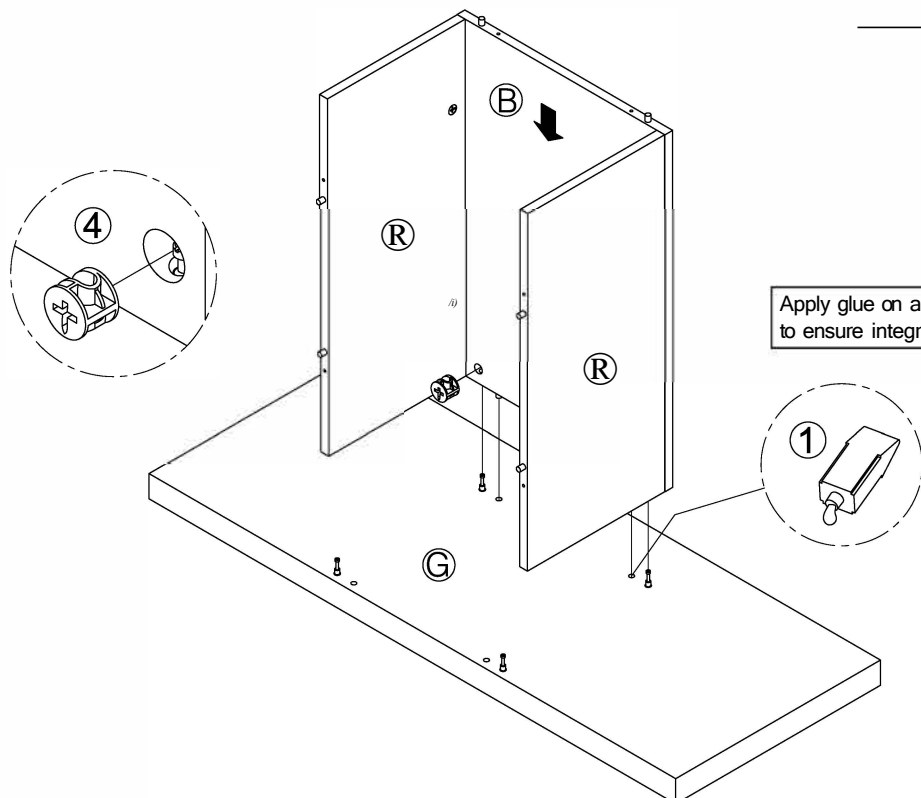
STEP 2:



Apply glue on all wooden dowels to ensure integrity of the structure.

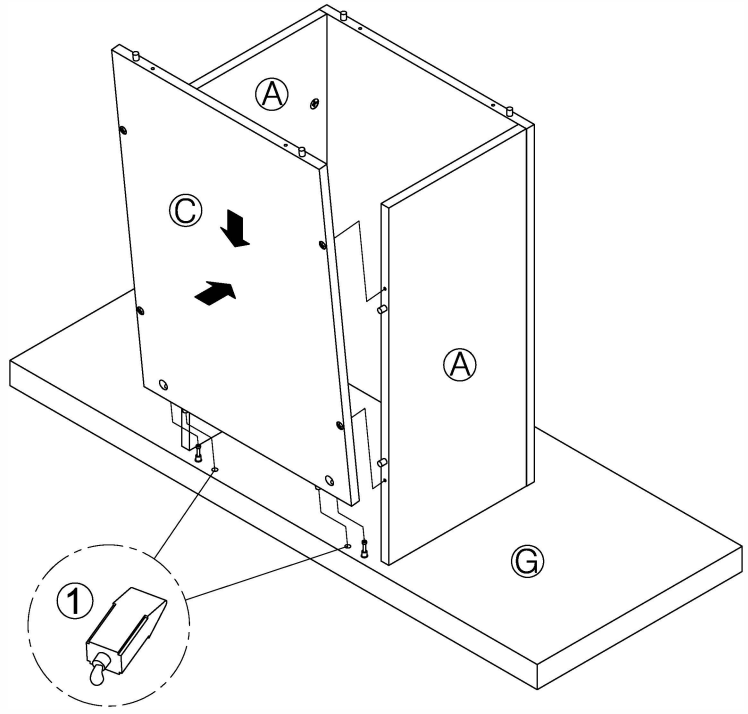


STEP 3:



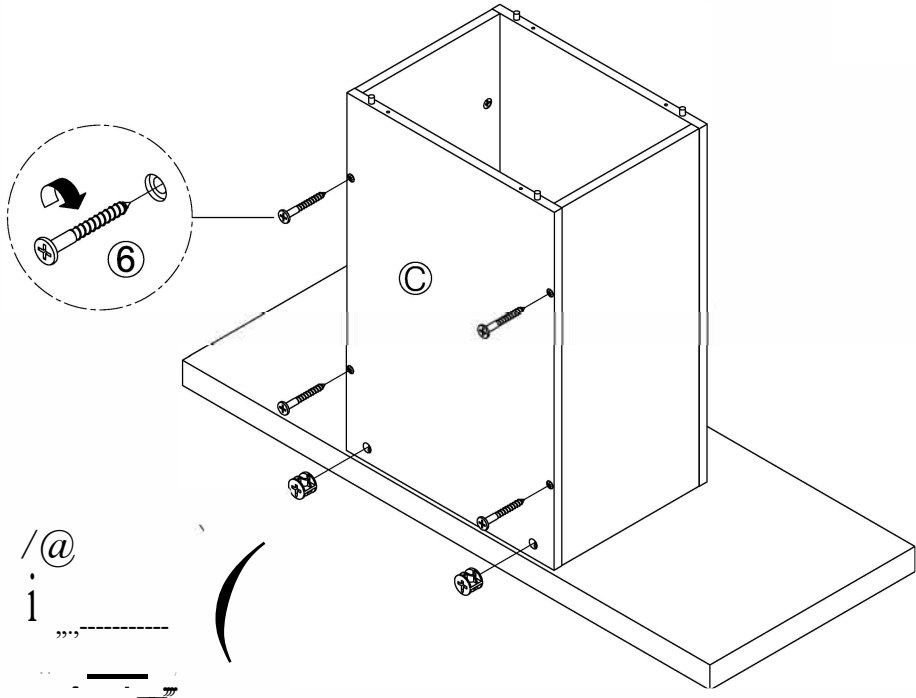
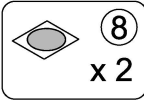
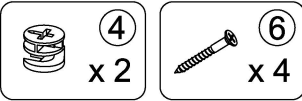
Apply glue on all wooden dowels to ensure integrity of the structure.

STEP 4 :

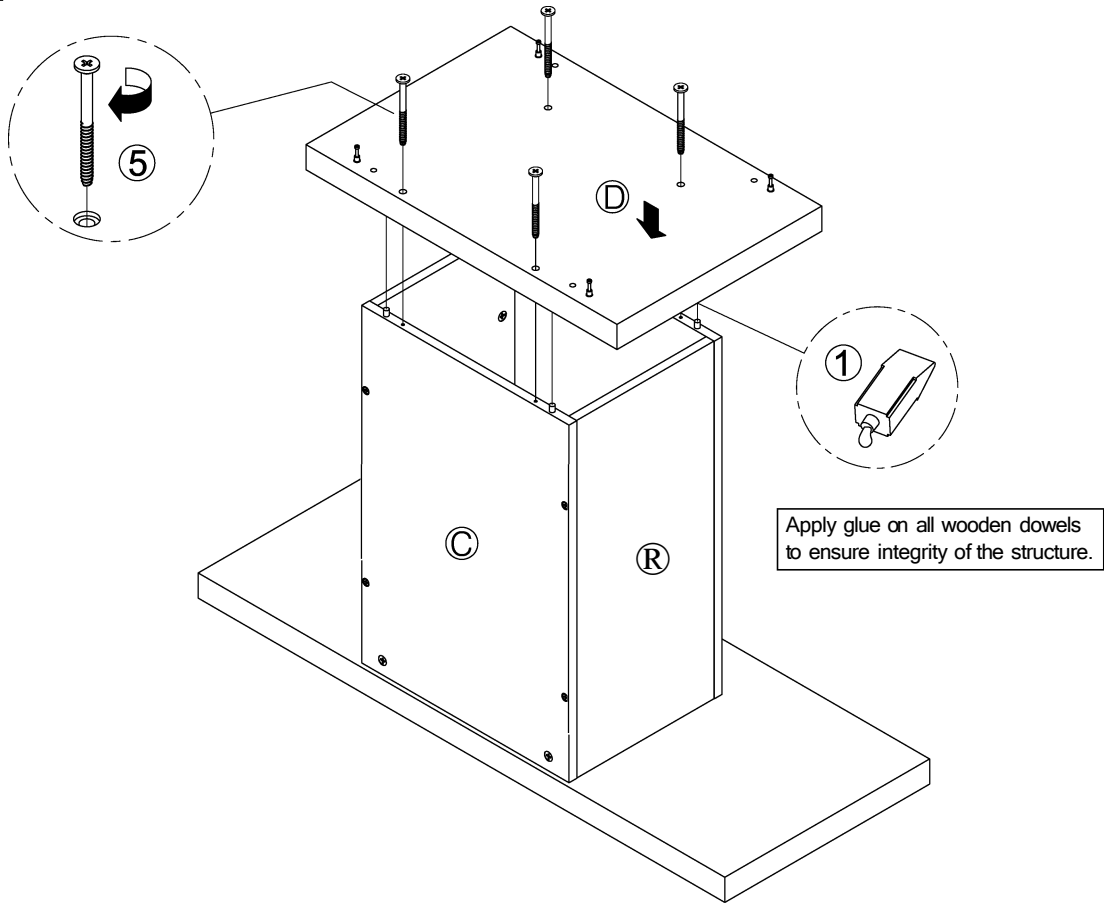


Apply glue on all wooden dowels to ensure integrity of the structure.

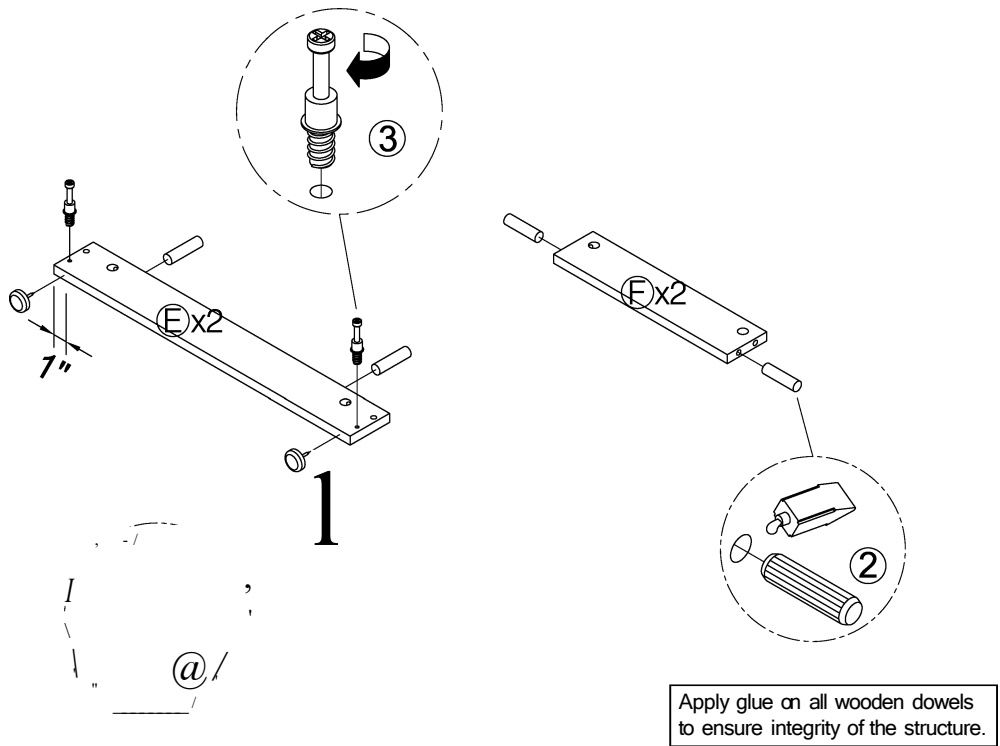
STEP 5 :



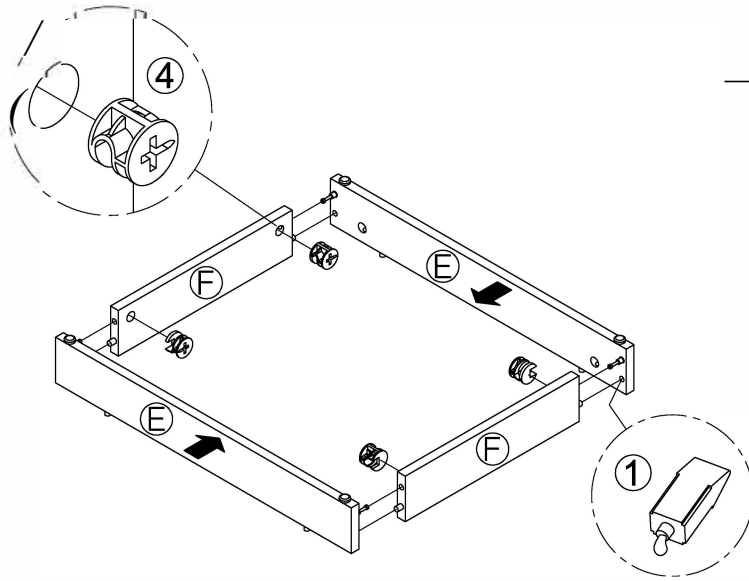
STEP 6:



STEP 7:

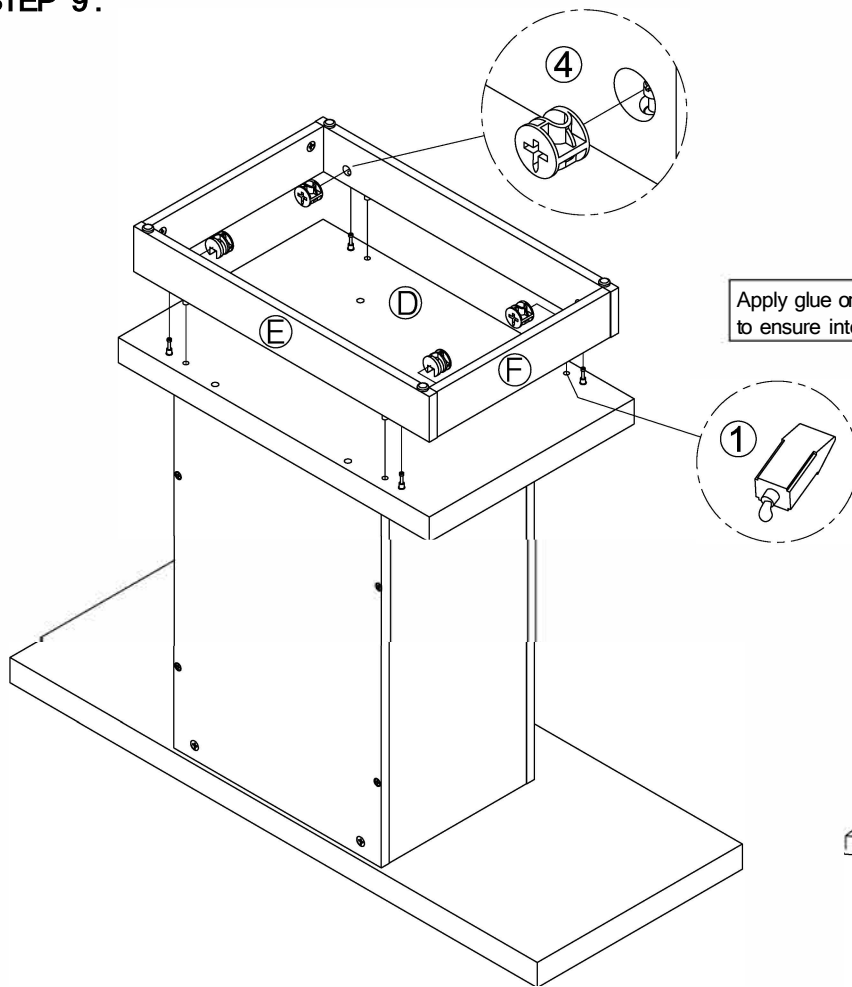


STEP 8:



Apply glue on all wooden dowels to ensure integrity of the structure.

STEP 9:



Apply glue on all wooden dowels to ensure integrity of the structure.

FINISH

