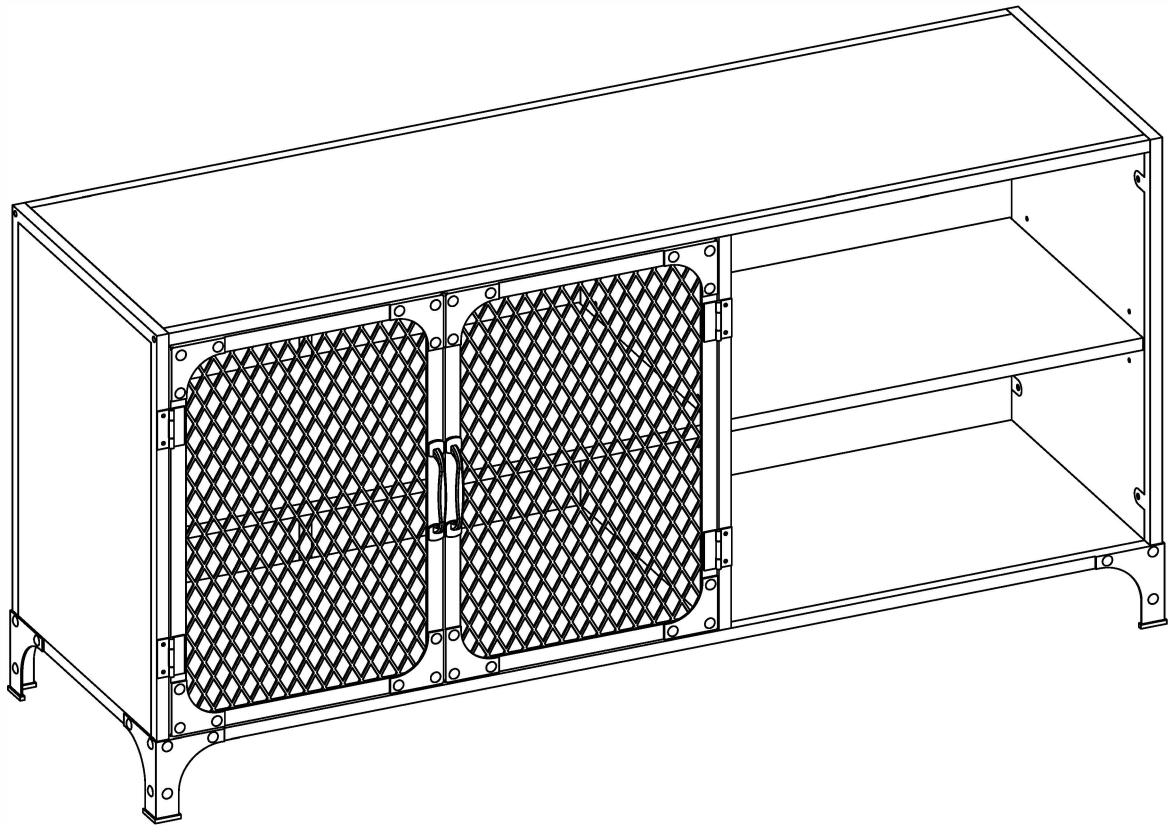
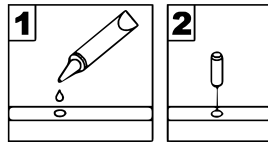


Assembly Instructions

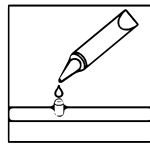


General Assembly Guidelines

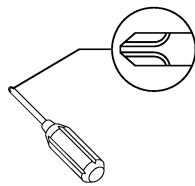
- I. Ensure that all parts and hardware are available before beginning assembly.
- II. Follow each step carefully to ensure the proper assembly of this product.
- III. Two people are recommended for ease in the assembly of this product.
- IV. The three main types of hardware used to assemble this product are: wood dowels, screws and bolts.
- V. The provided glue is to secure wood dowels in place. When first inserting dowels, locate the appropriate hole for the dowel, place a small amount of glue in the hole and insert the dowel. Wipe away excess glue immediately.



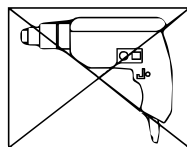
In future assembly steps when dowels are necessary to attach assembly parts together, place a small amount of glue on the end of the dowel before attaching parts together. Wipe away excess glue immediately.



- VI. A Phillips head screwdriver is required for the assembly of this product .

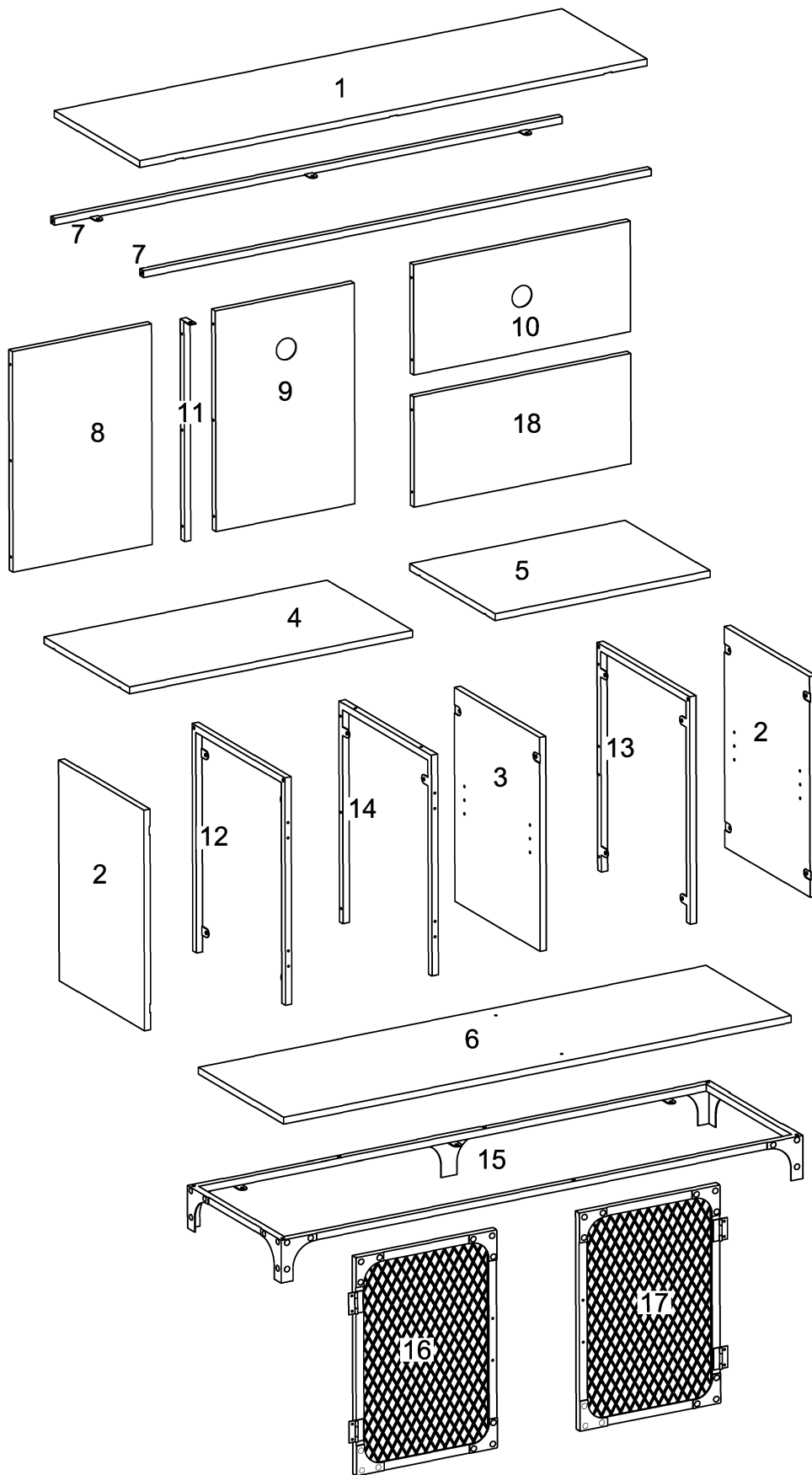


- VII. Power tools should not be used to assemble this product.

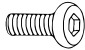


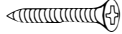

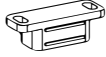
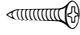


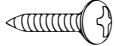


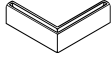



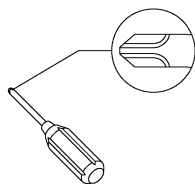
- VIII. Drill may be needed for securing product to wall.

Parts List



Hardware List

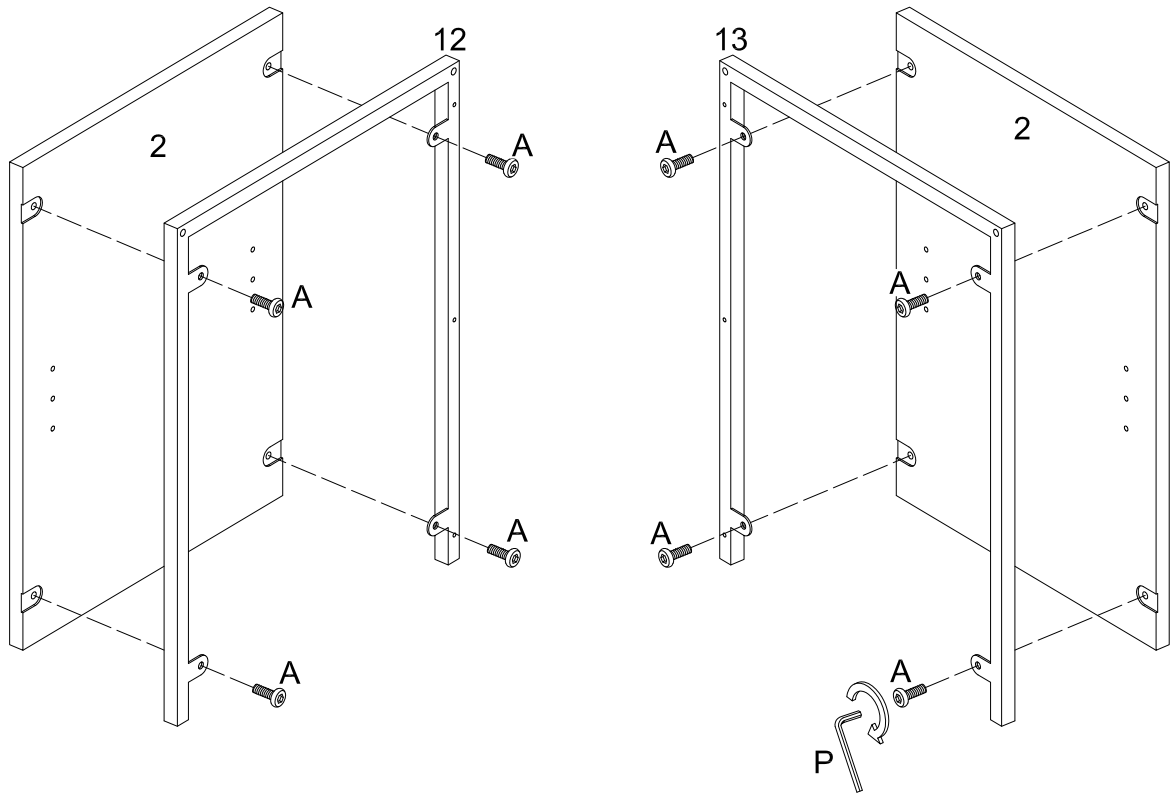
A		Ø1/4"x12mm	Bolt	23 pcs
B		Ø1/4"x25mm	Bolt	11 pcs
C		Ø1/4"x25mm	Bolt	2 pcs
D		Ø4x38mm	Screw	2 pcs
E			Shelf support pin	8 pcs
F			Door stopper	2 pcs
G		Ø3x15mm	Screw	4 pcs
H			Handle	2 pcs
J		Ø4x22mm	Handle Bolt	4 pcs
K		Ø4x12mm	Screw	8 pcs
L		Ø4x8mm	Screw	20 pcs
M			Plastic Cap	1 pc
N			Plastic Cap	4 pcs
P		4mm	Hex Key	1 pc



Philips head screwdriver required for assembly
(not included)

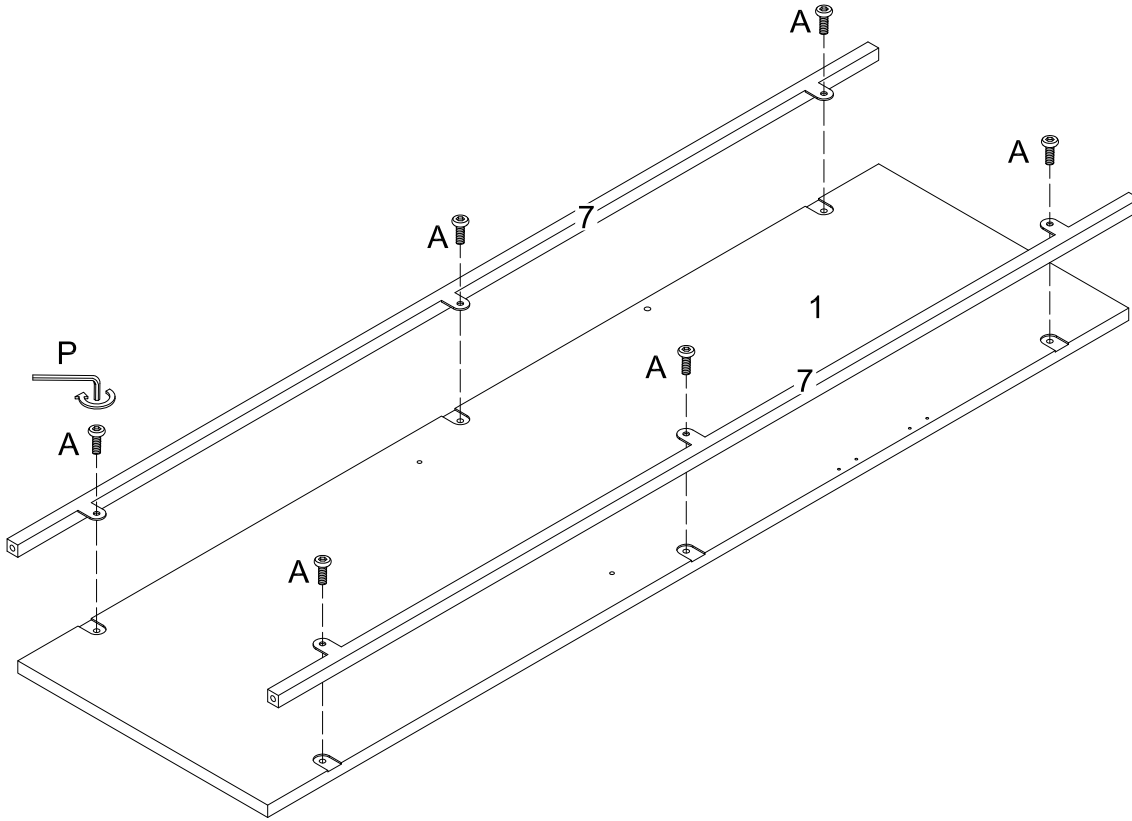
*The hardware quantities listed above are required for proper assembly.
Some extra hardware may also have been included.*

Step 1



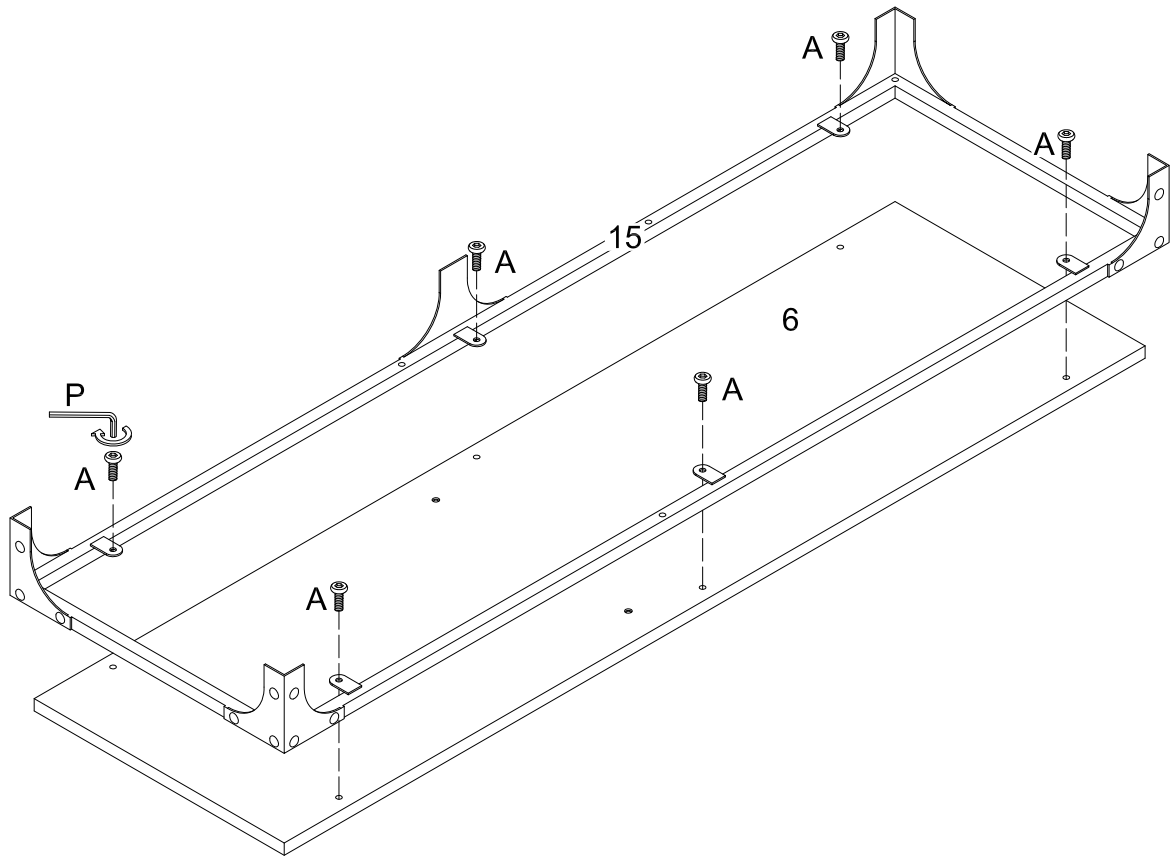
Using bolt (A) attach part (12,13) onto part (2) to secure with hex key (P).

Step 2



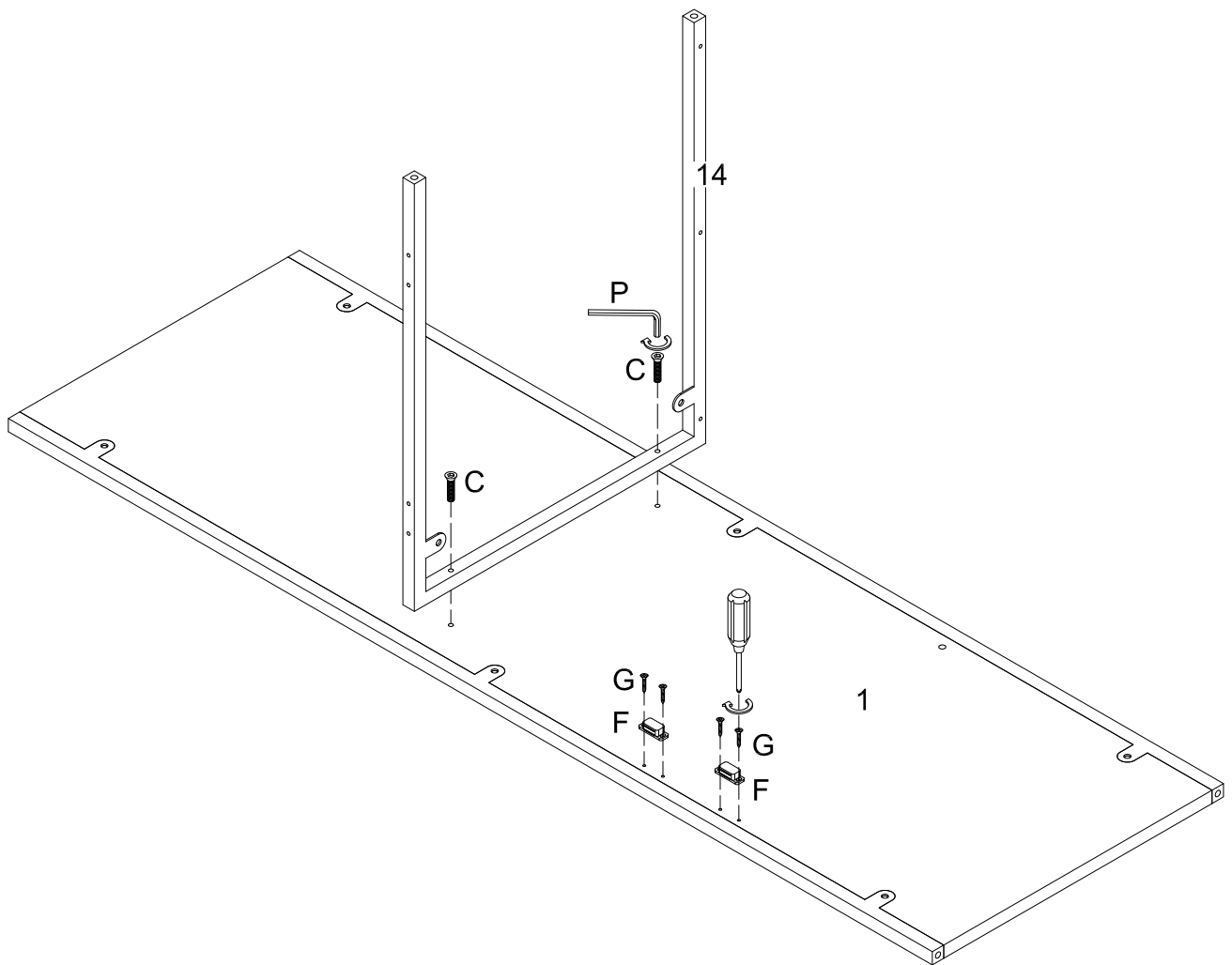
Using bolt (A) attach part (7) onto part (1) with hex key (P).

Step 3



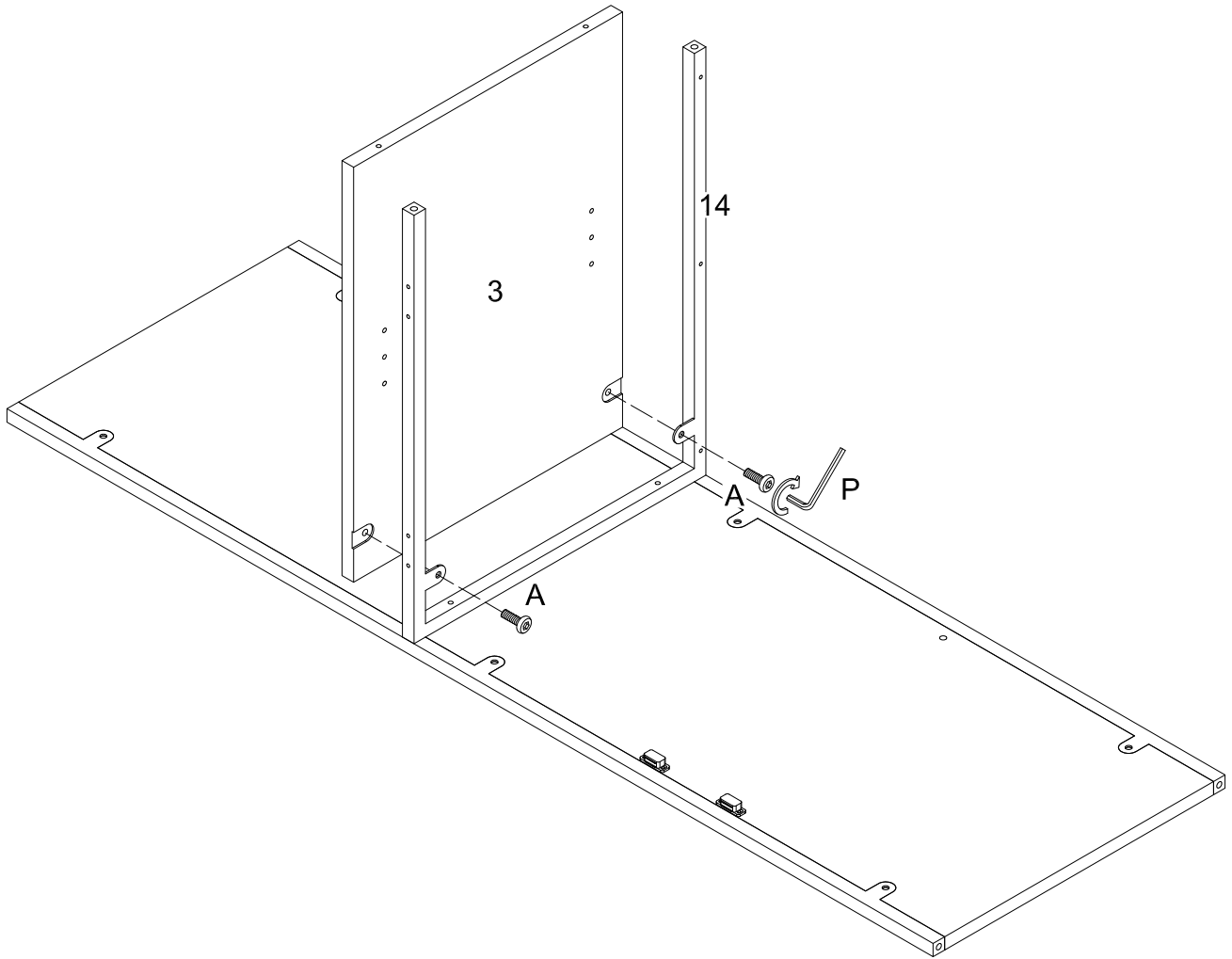
Using bolt (A) to attach part (15) onto part (6) to secure with hex key (P) .

Step 4



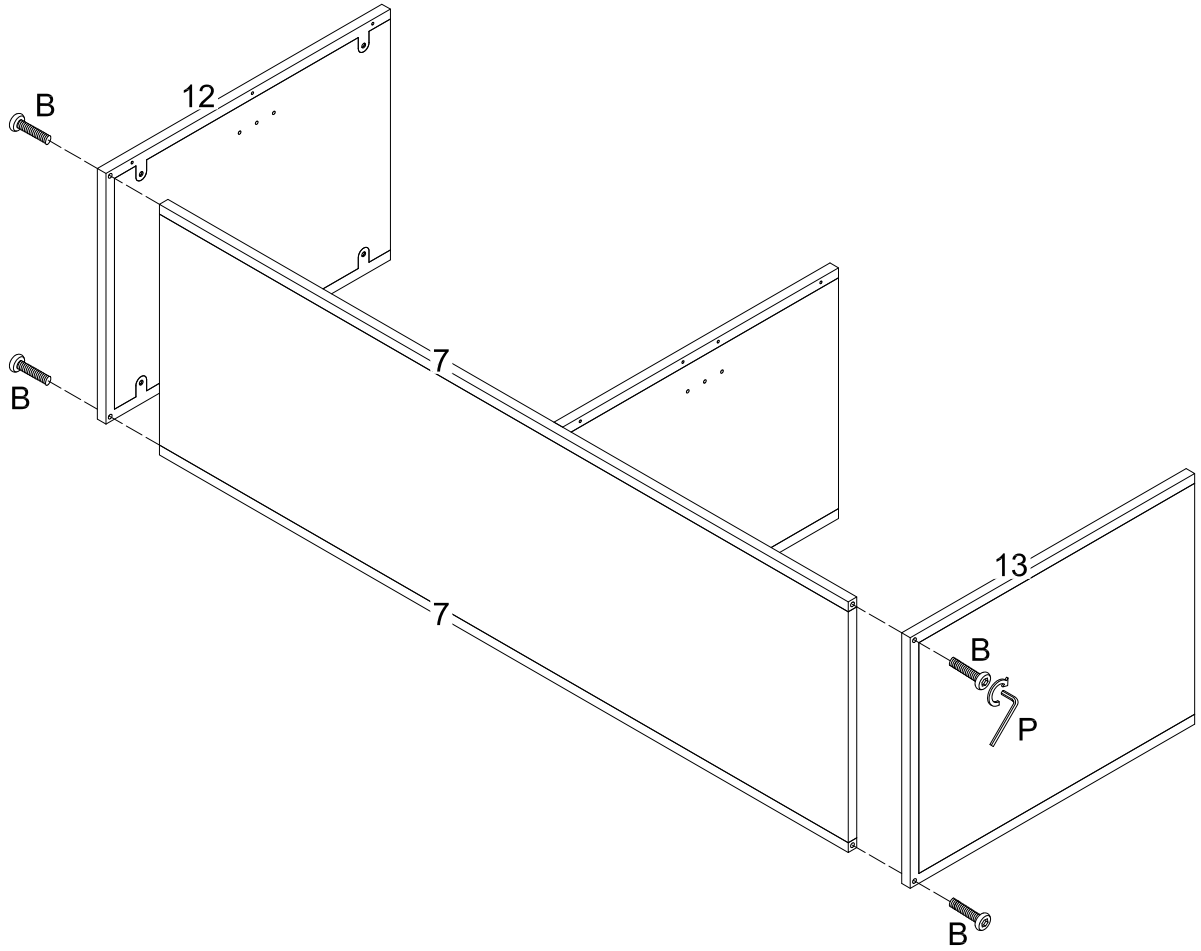
Using bolt (C) attach part (14) onto part (1) to secure with hex key (P), put door stopper (F) attach part (1), using screw (G) onto door stopper with Philips screwdriver as diagram.

Step 5



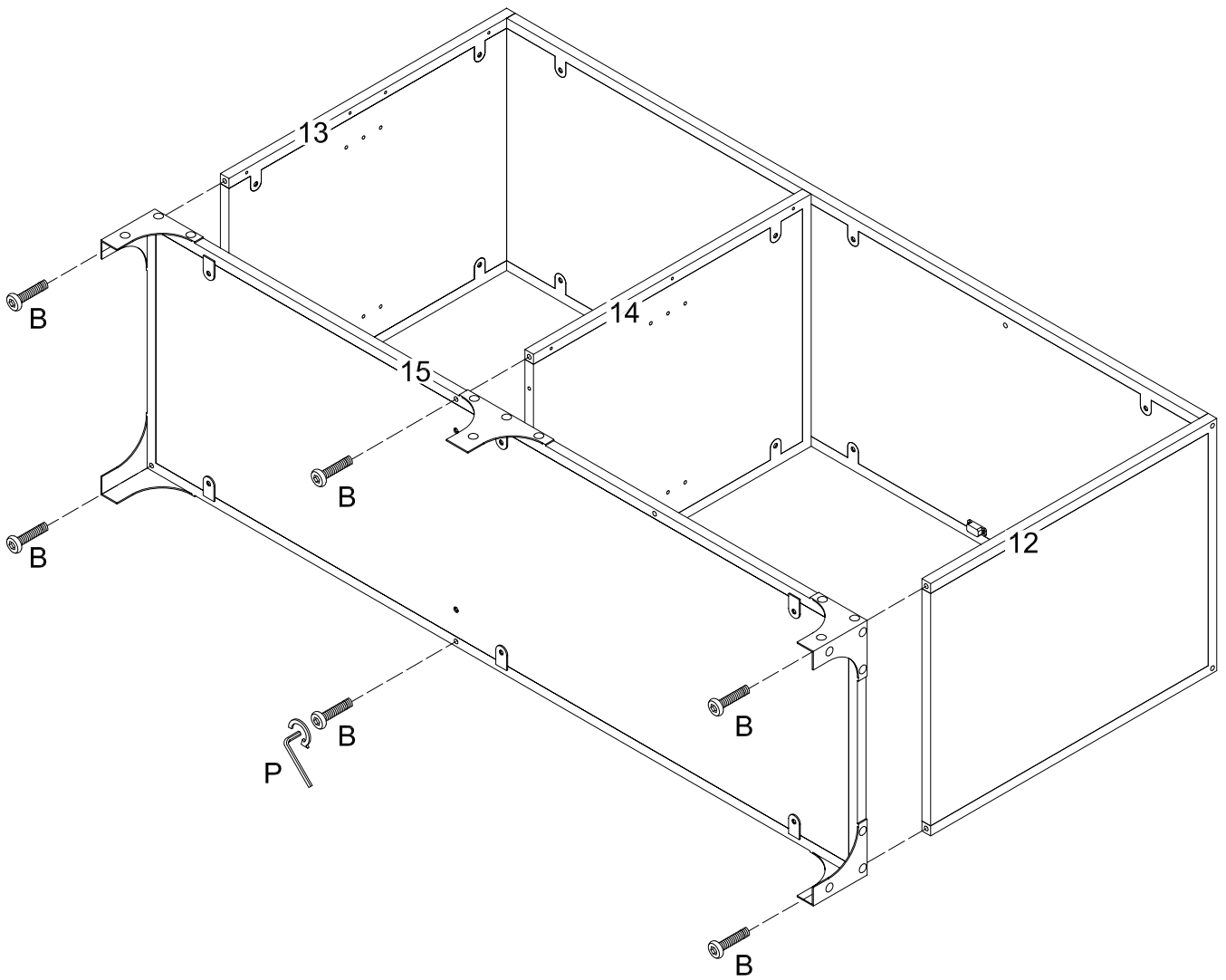
using bolt A attach part (3) onto part (14) to secure with hex key (P) as diagram.

Step 6



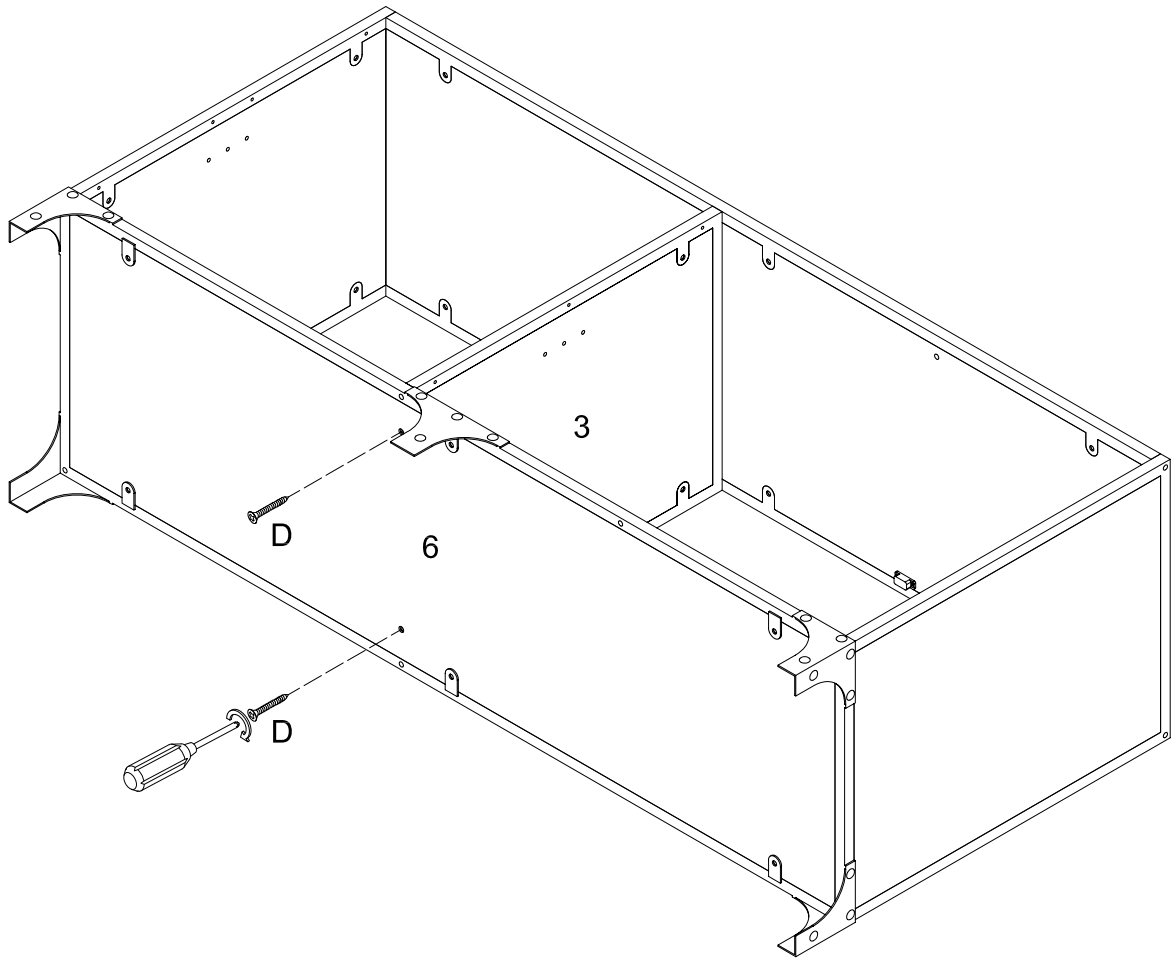
Using bolt (B) attach part (12,13) onto part (7) to insert part (12,13) with hex key (P) as diagram.

Step 7



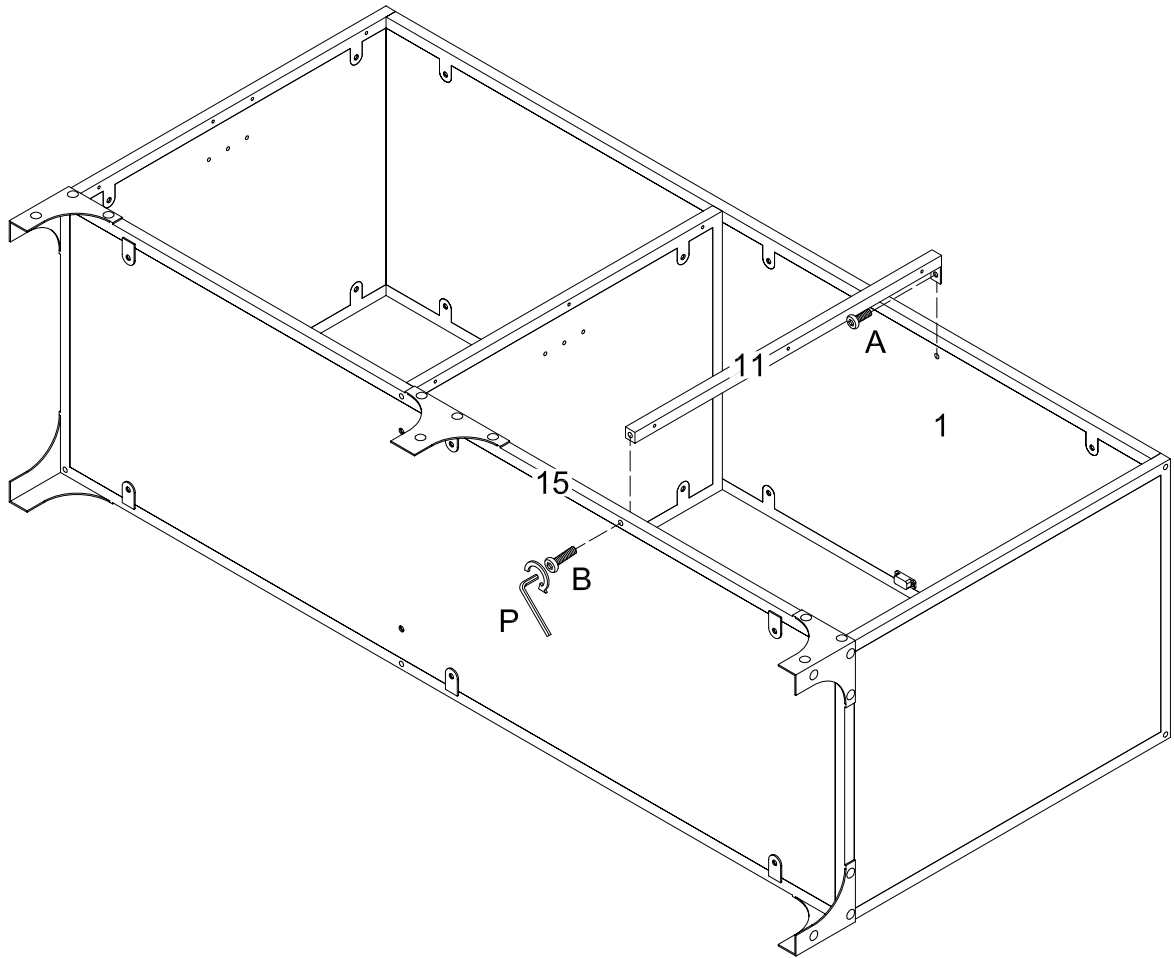
Using bolt (B) attach part (15) onto part (12,13,14), secure with hex key per diagram.

Step 8



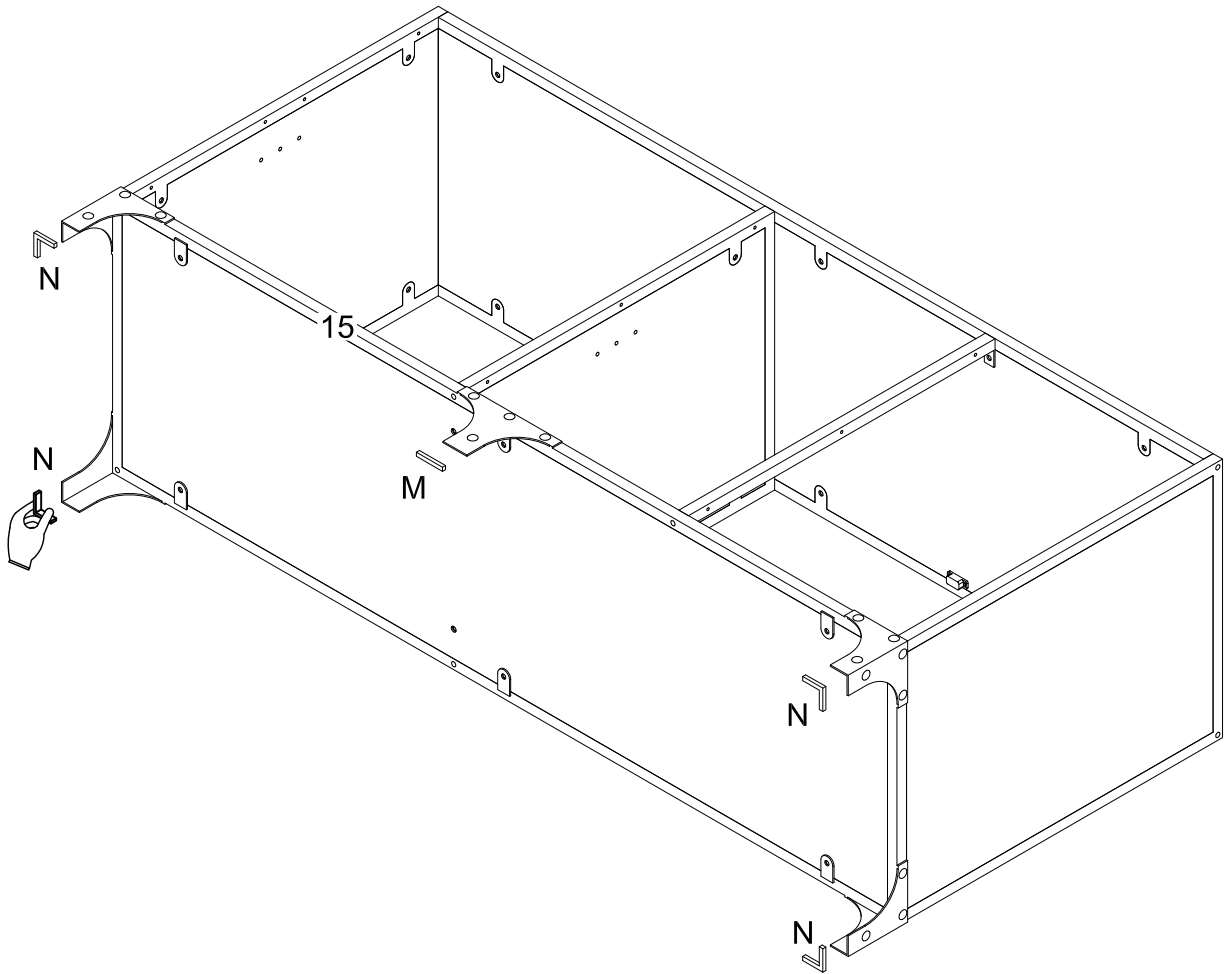
Insert screw (D) onto part (6) to connect part (3) by Philips head screwdriver per diagram.

Step 9



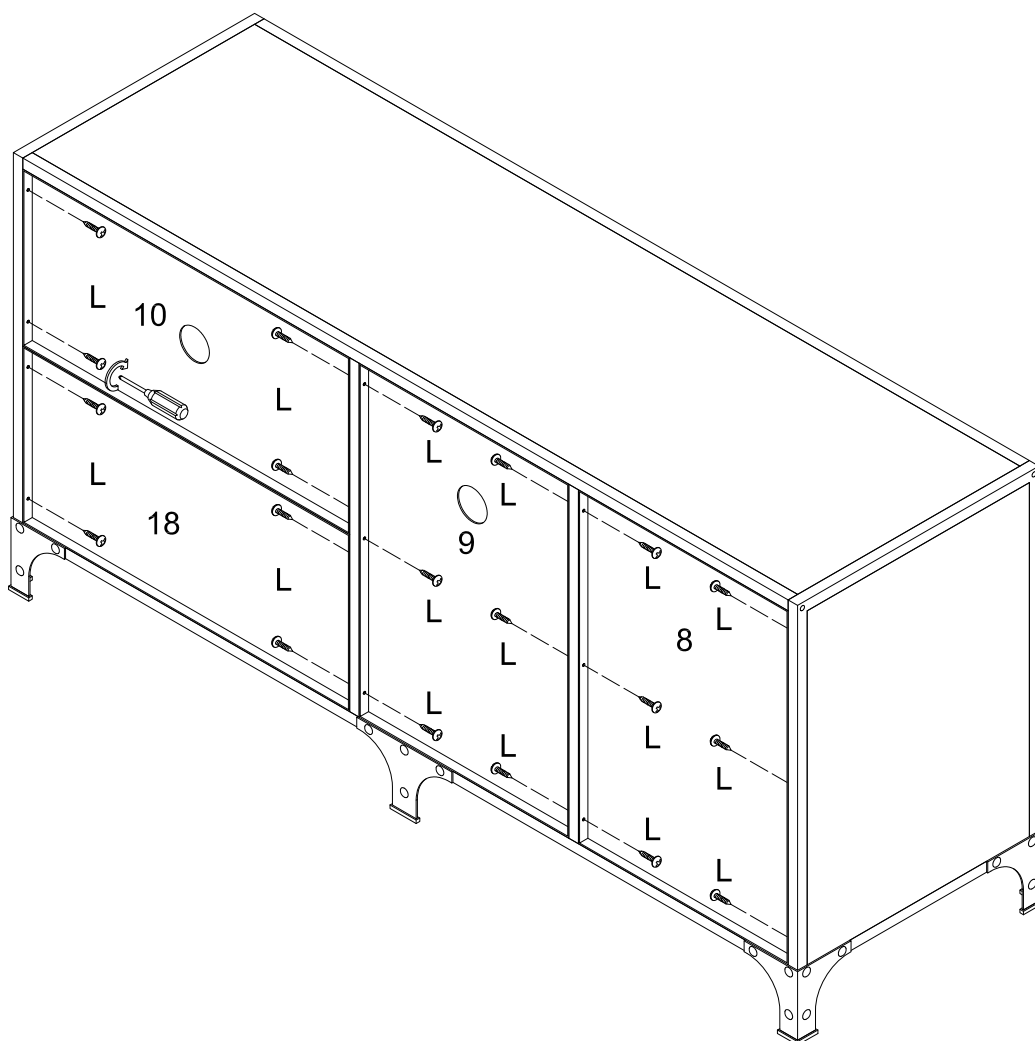
Attach part (11) onto part (15,1) ,using bolt (A,B) secure with hex key (P) per diagram.

Step 10



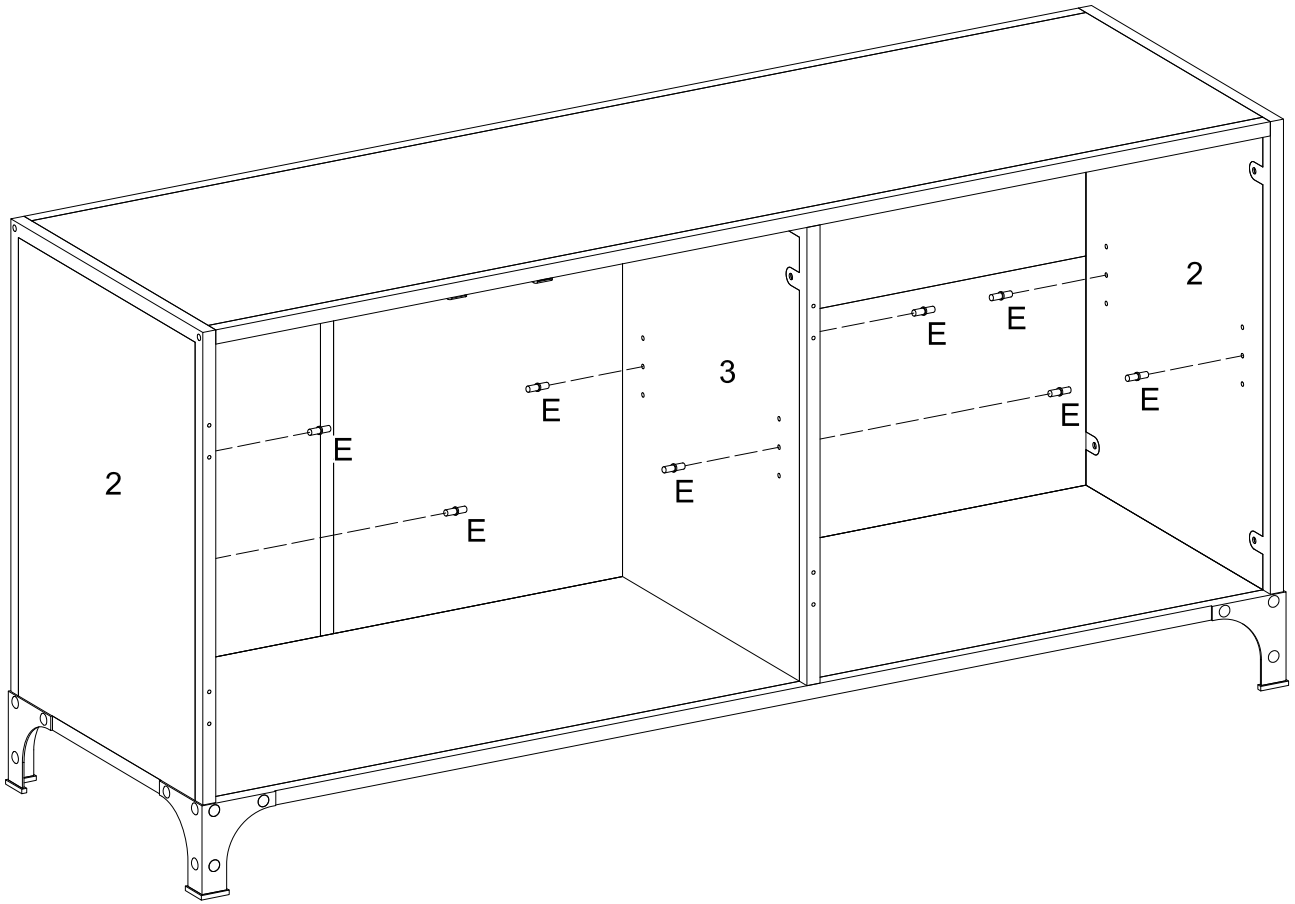
Place plastic cap (M,N) onto part (15) as per diagram.

Step 11



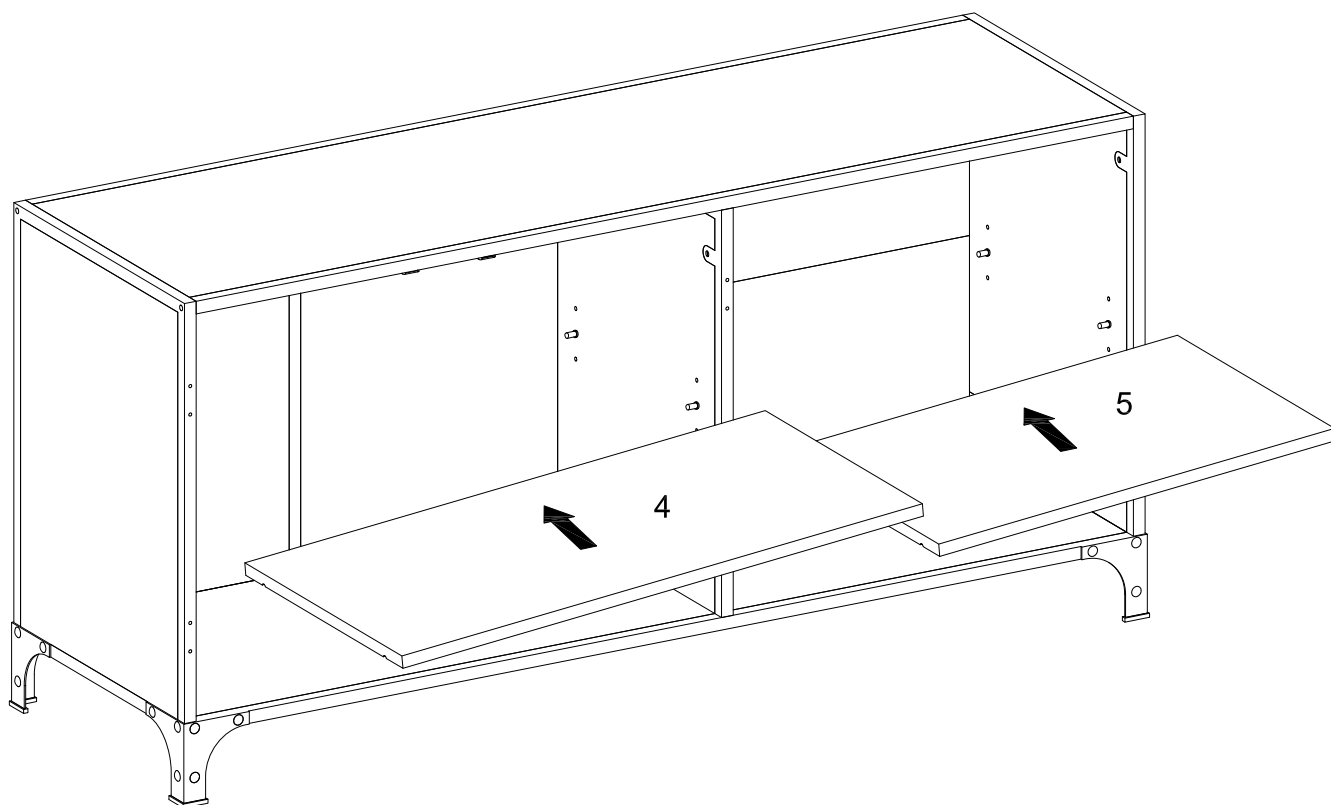
Insert screw (L) onto part (8,9,10,18) with Philips head screwdriver .

Step 12



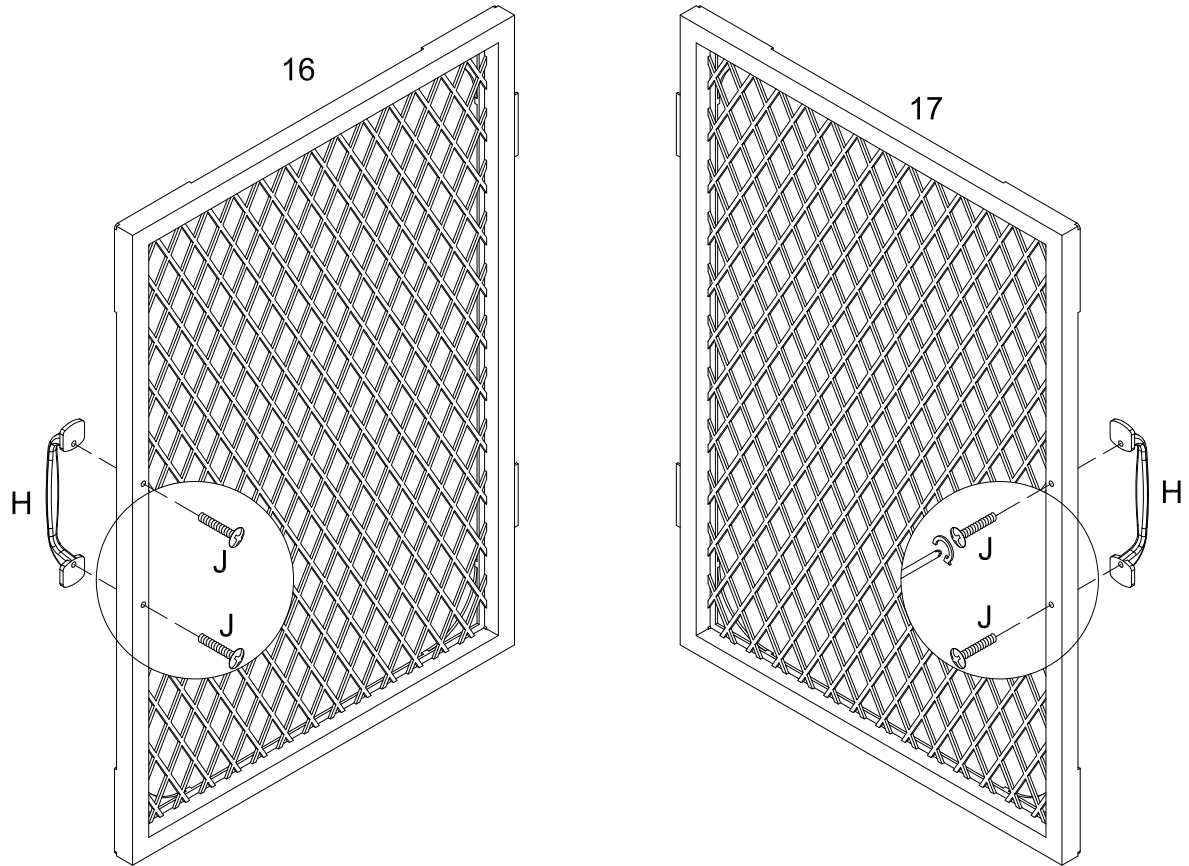
Insert shelf support pin (E) onto part (2,3).

Step 13



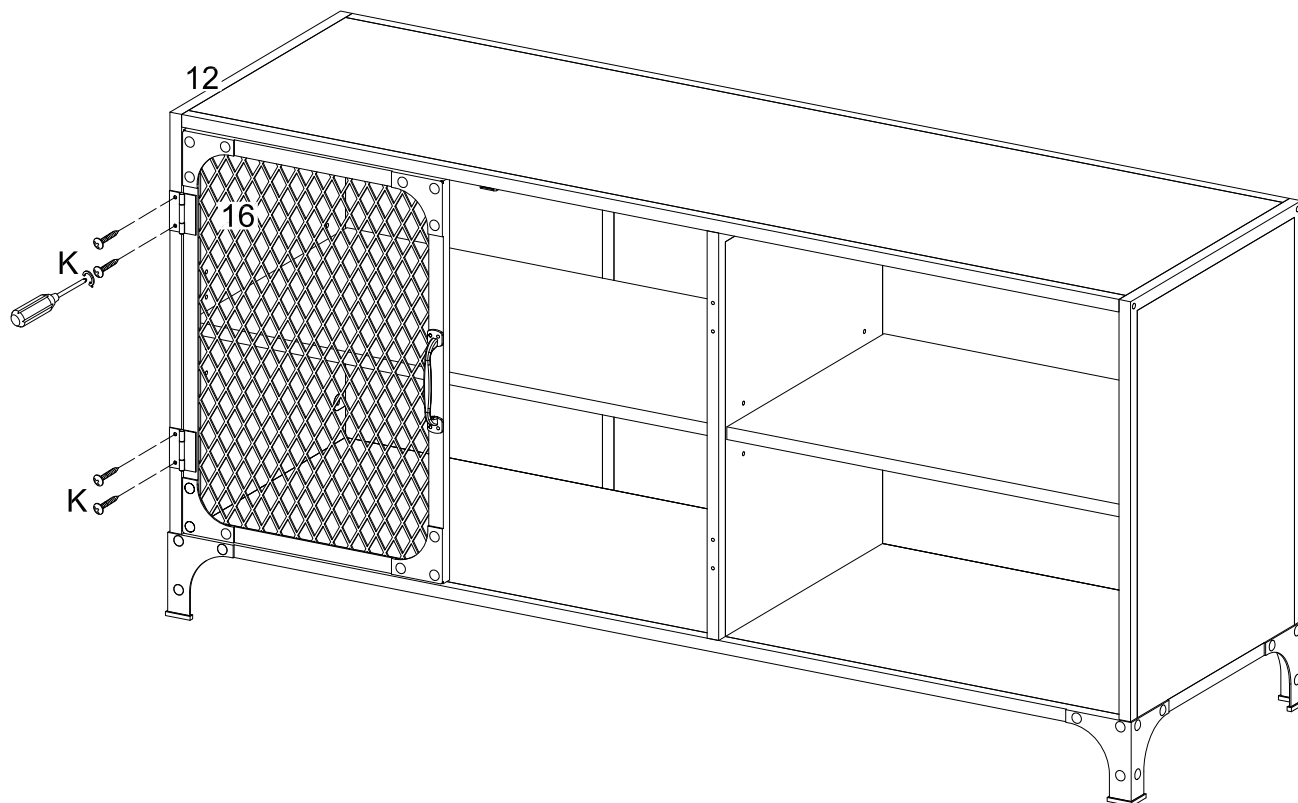
Put part (4,5) onto cabinet as per diagram.

Step 14



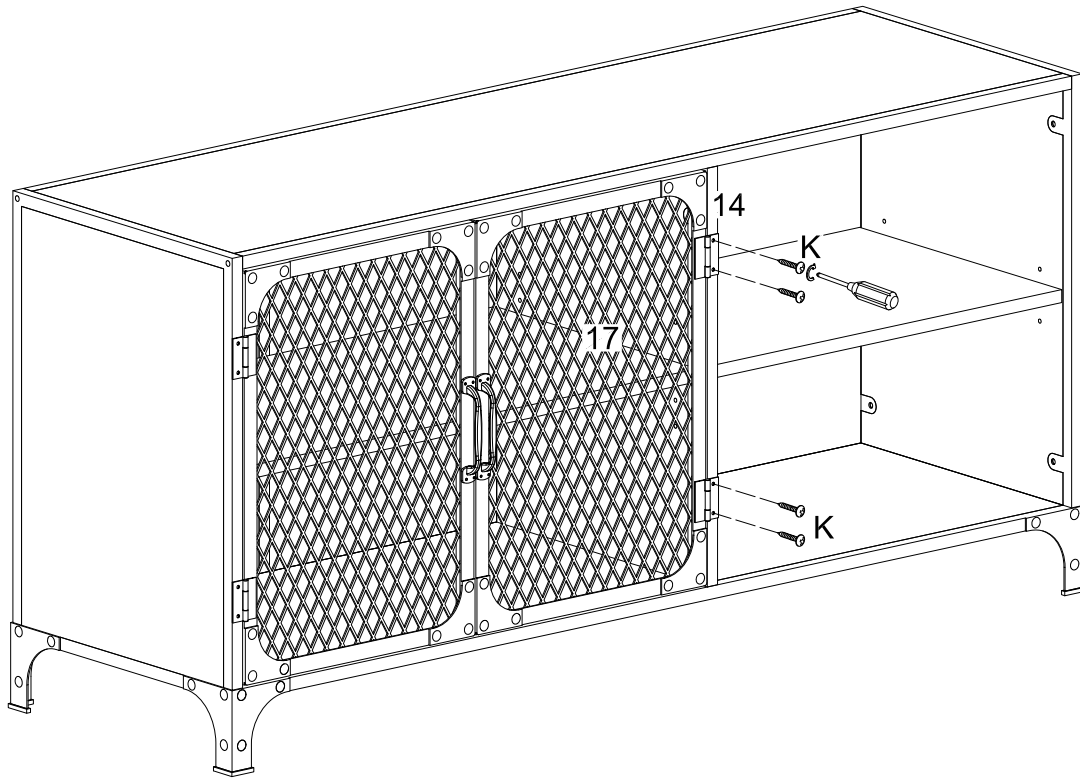
Attach handle (H) onto (16,17) insert bolt (J) secure with Philips head screwdriver as per diagram.

Step 15



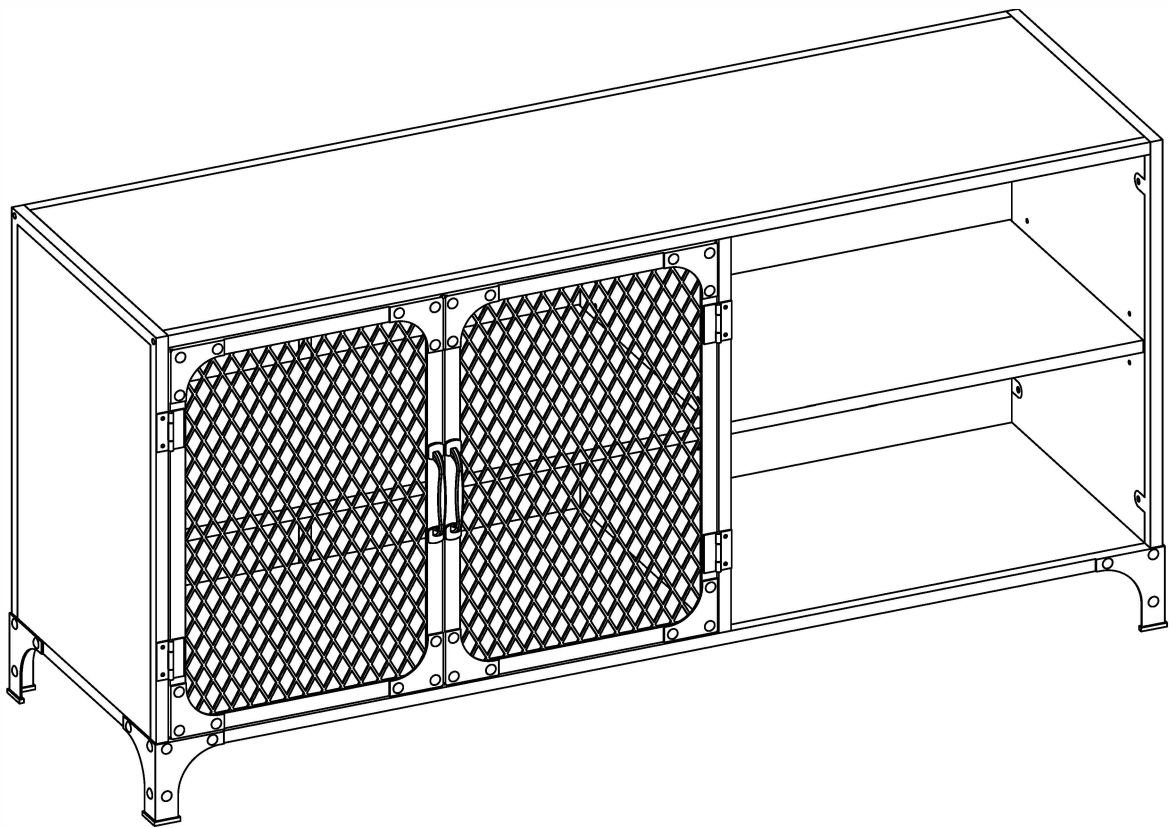
Attach part (16) onto part (12) ,insert screw (K) with Philip head screwdriver as diagram.

Step 16



Using screw (K) attach part (17) onto part (14) to secure with Philips head screwdriver as diagram.

Step 17



Final Assembly