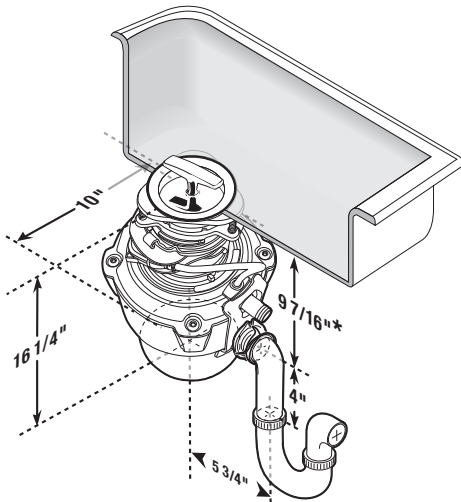


QUIET SERIES

Evolution Cover Control® Plus



Dimensions



* Add 1/2" when stainless steel sinks are used.

Submittal Sheet

This model offers the following features and benefits:

- **Lift & Latch™** technology for easier sink connection.
- **2-Stage MultiGrind® Technology** for tougher food scraps like chicken bones.
- **Highest Durability.** Alloy stainless steel components with LeakGuard Liner™.
- **Advanced Noise Reduction.** With insulated SoundSeal® technology.
- Features exclusive patent-pending **Magnetic CoverStart® Activation.** The cover goes in before the disposer goes on.

Sample Specification

Food Waste Disposer(s) shall be InSinkErator® Model Evolution Cover Control® Plus with MultiGrind® and SoundSeal™ technologies, 3/4 HP motor, Stainless Steel Grind Chamber and components.

Warranty:
7-Year parts and in-home service.

* The complete InSinkErator warranty is included in the Care & Use Booklet packed with each unit.



Food waste is roughly 80% water. By using your disposal regularly, you can help divert food waste from landfills and reduce greenhouse gas emissions. Make sustainability a family affair by using your disposal. After all, the smallest changes can make the biggest impact.

Specifications

| | |
|-----------------------------|--|
| Type of Feed | Batch Feed |
| On/Off Control | Cover Control |
| Motor | Single Phase |
| HP | 3/4 |
| Volts | 120 |
| HZ | 60 |
| RPM | 1725 |
| Amp. (Avg. Load) | 9.5 |
| Time Rating | Intermittent |
| Lubrication | Permanently Lubricated Upper & Lower Bearings |
| Shipping Weight (Approx.) | 24.4 lbs |
| Unit Finish | Gray |
| Overall Height | 16-1/4" |
| SoundSeal Technology | Anti-Vibration Mount® Anti-Vibration Tailpipe Mount™ Sink Baffle Multi-Layer SoundLimiter® Insulation |
| MultiGrind Technology | GrindShear Ring® |
| Grind Chamber Capacity | 40 oz. |
| Motor Protection | Manual Reset Overload |
| Average Water Usage | Approx. 1 Gallon Per Person Per Day |
| Average Electrical Usage | 3-4 KWH Per Year |
| Drain Connection | 1-1/2" Anti-Vibration (Hose Clamp) |
| Dishwasher Drain Connection | Yes |

Job Specifications



The Emerson logo is a trademark and service mark of Emerson Electric Co. The mounting collar configuration is a trademark of Emerson Electric Co.

1-800-558-5700
www.insinkerator.com



InSinkErator may make improvements and/or changes in the specifications at any time, in its sole discretion, without notice or obligation and further reserves the right to change or discontinue models.