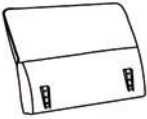


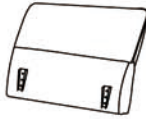
INSTRUCTION



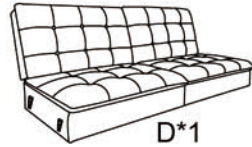
A*8



B*1

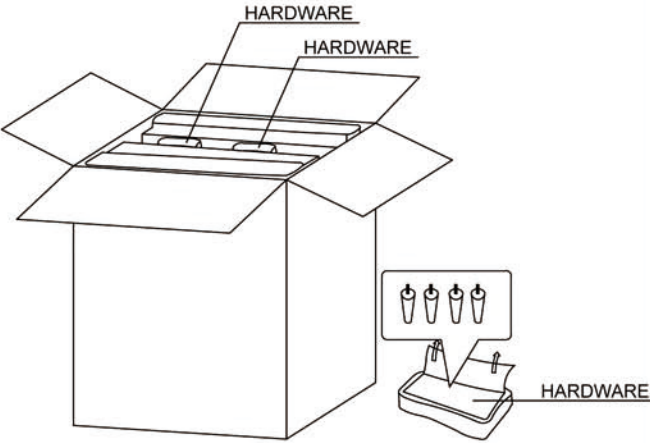


C*1

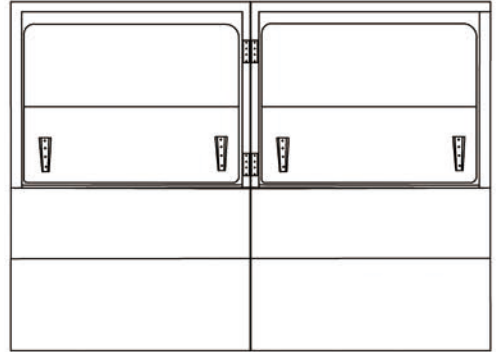


D*1

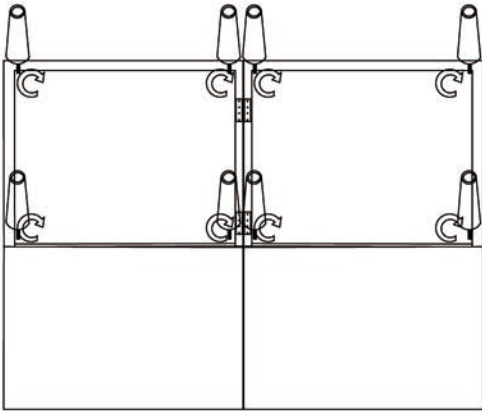
STEP 1



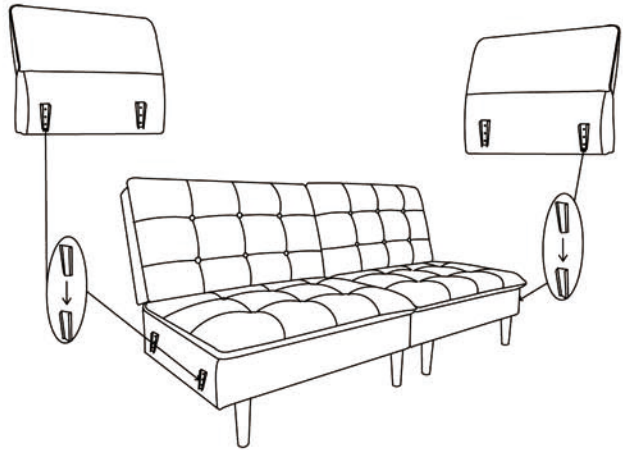
STEP 2



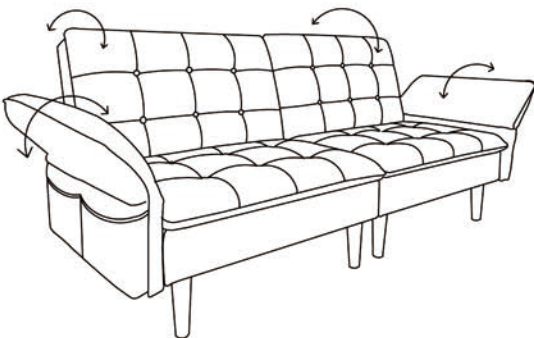
STEP 3



STEP 4



STEP 5



STEP 6

