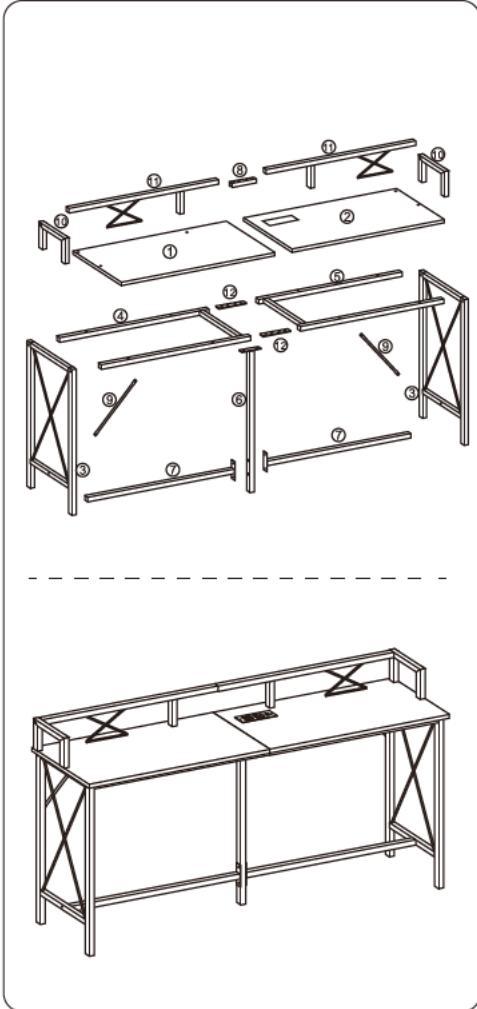


Assembly Instruction



Componets

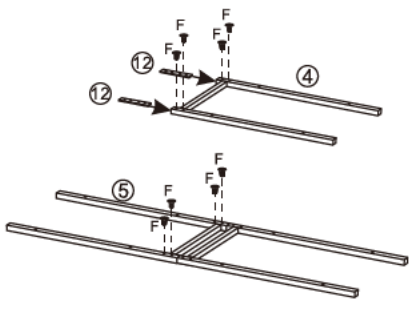
①		1	⑦		2
②		1	⑧		1
③		2	⑨		2
④		1	⑩		2
⑤		1	⑪		2
⑥		1	⑫		2

Screws & Tools

Ⓐ		M6X50	2	Ⓗ		1
Ⓑ		M6X35	8	Ⓘ		4
Ⓒ		M6X30	4	Ⓙ		4
Ⓓ		M6X25	6	Ⓚ		2
Ⓔ		M6X15	2	Ⓛ		2
Ⓕ		M6X12	18			1
Ⓖ		ST3.5X12	2			

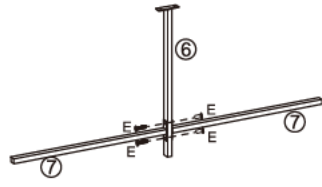
1

Fx8



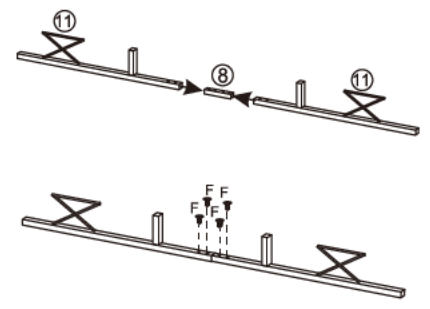
2

Ex2



3

Fx4



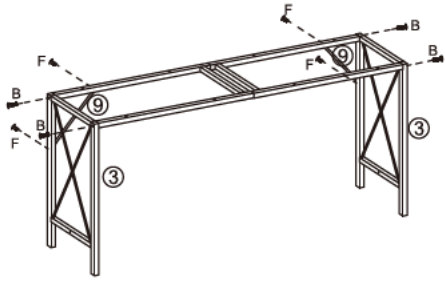
4

Bx2



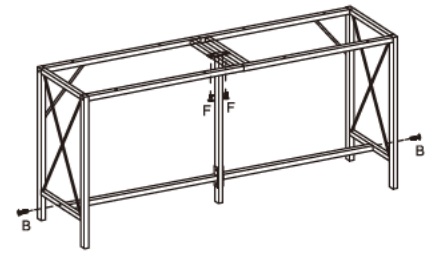
5

Bx4 Fx4



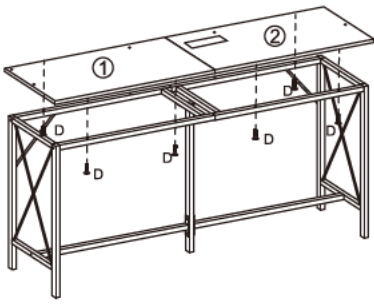
6

Bx2 Fx2



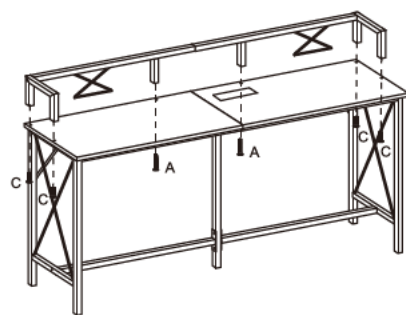
7

Dx6



8

Ax2 Cx4



9

Gx2	Hx1
Ix4	
Jx4	
Kx2	
Lx2	

