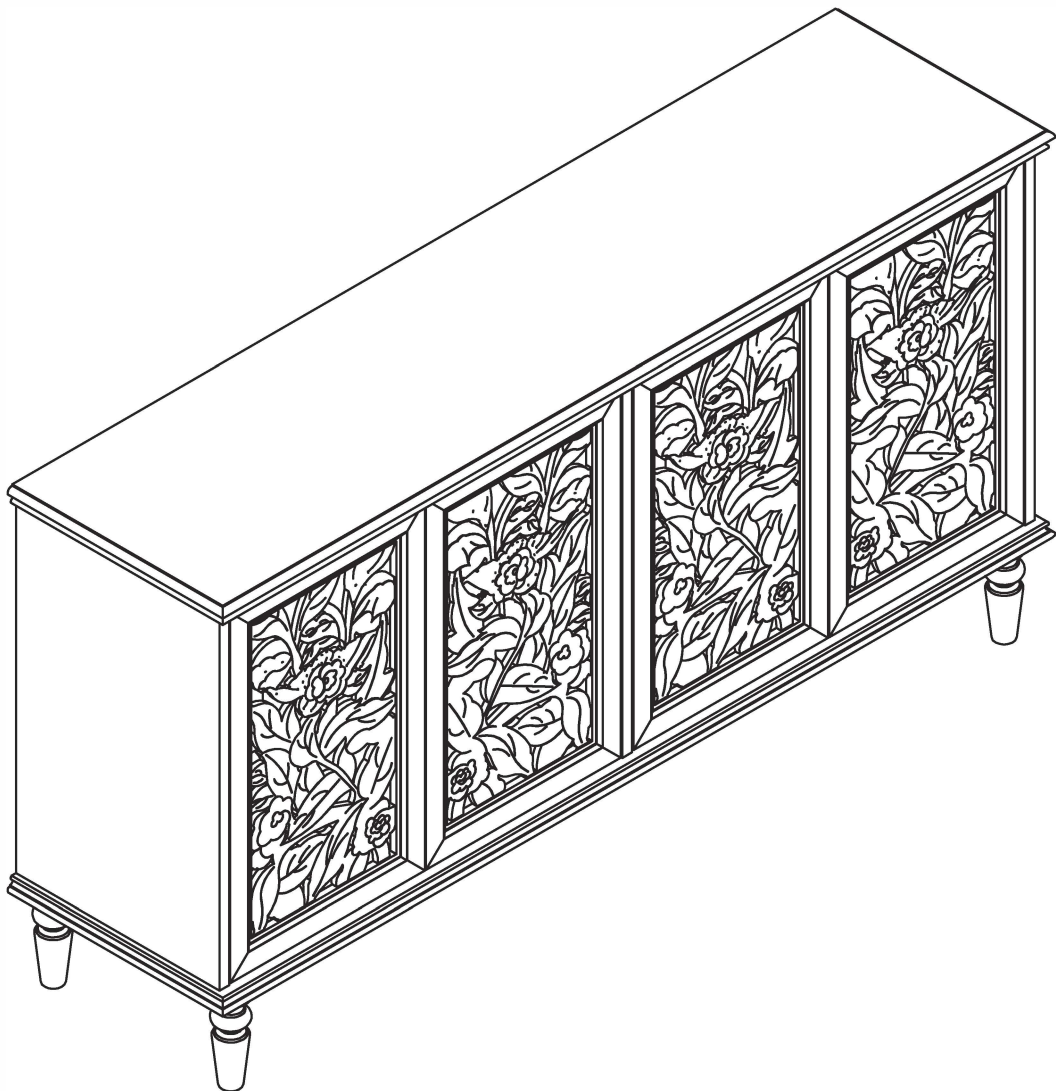
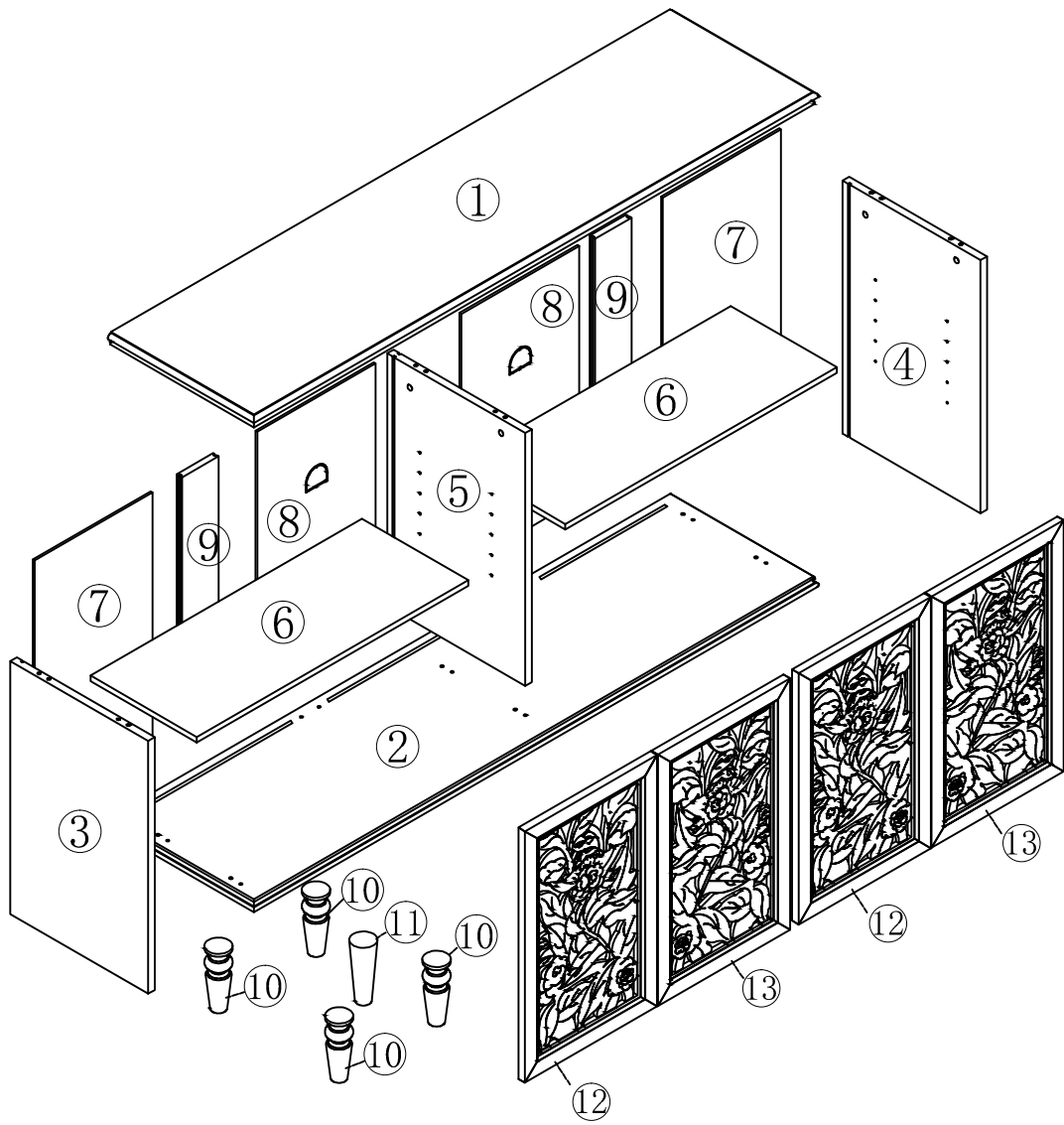

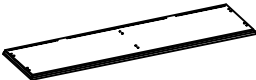

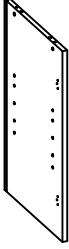
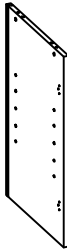










# Assembly Instruction


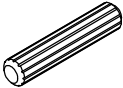
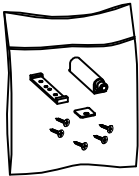
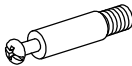

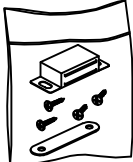
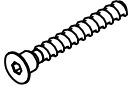



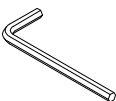
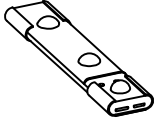

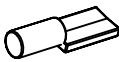




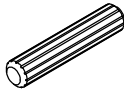
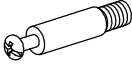
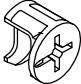
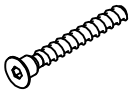

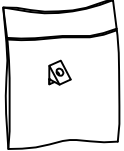

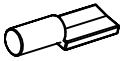
# HARDWARE LIST

<p>①</p>  <p>1PC</p>	<p>②</p>  <p>1PC</p>	<p>③</p>  <p>1PC</p>	<p>④</p>  <p>1PC</p>	<p>⑤</p>  <p>1PC</p>
<p>⑥</p>  <p>2PC</p>	<p>⑦</p>  <p>2PC</p>	<p>⑧</p>  <p>2PC</p>	<p>⑨</p>  <p>2PC</p>	<p>⑩</p>  <p>4PC</p>
<p>⑪</p>  <p>1PC</p>	<p>⑫</p>  <p>2PC</p>	<p>⑬</p>  <p>2PC</p>		

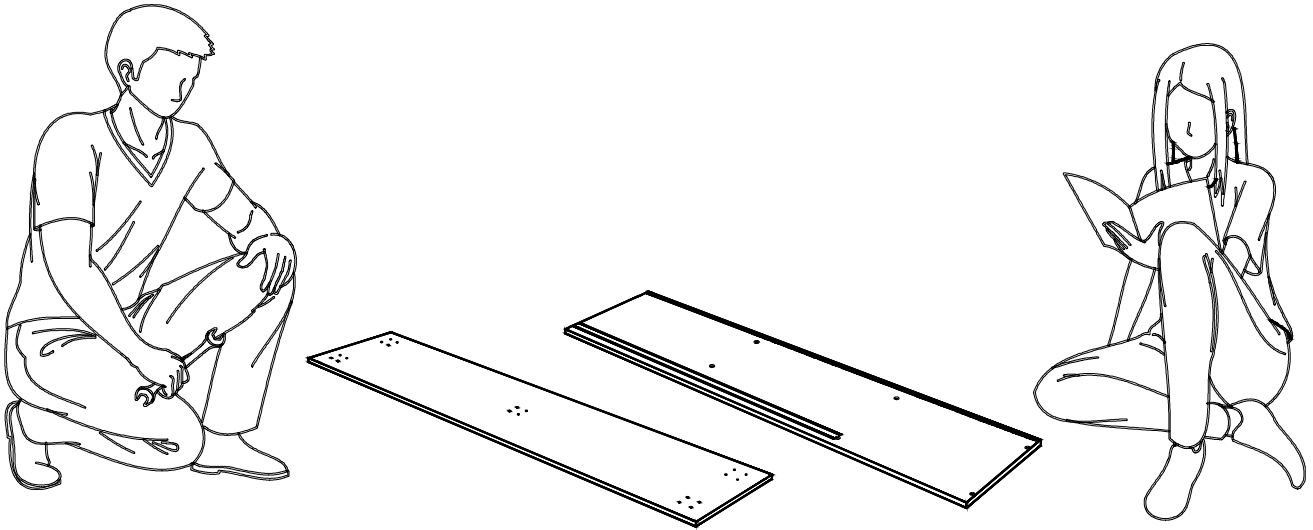
# HARDWARE LIST

<p>A</p>  <p>8PCS</p>	<p>B</p>  <p>8x30mm 12PCS</p>	<p>C</p>  <p>4PCS</p>	<p>D</p>  <p>6x40mm 10PCS</p>	<p>E</p>  <p>Ø15*11mm 10PCS</p>
<p>F</p>  <p>4PCS</p>	<p>G</p>  <p>M6x50mm 10PCS</p>	<p>H</p>  <p>#3*14 84PCS</p>	<p>I</p>  <p>18PCS</p>	<p>J</p>  <p>10PC</p>
<p>K</p>  <p>M6 1PC</p>	<p>L</p>  <p>2PCS</p>	<p>M</p>  <p>2PCS</p>	<p>N</p>  <p>8PCS</p>	

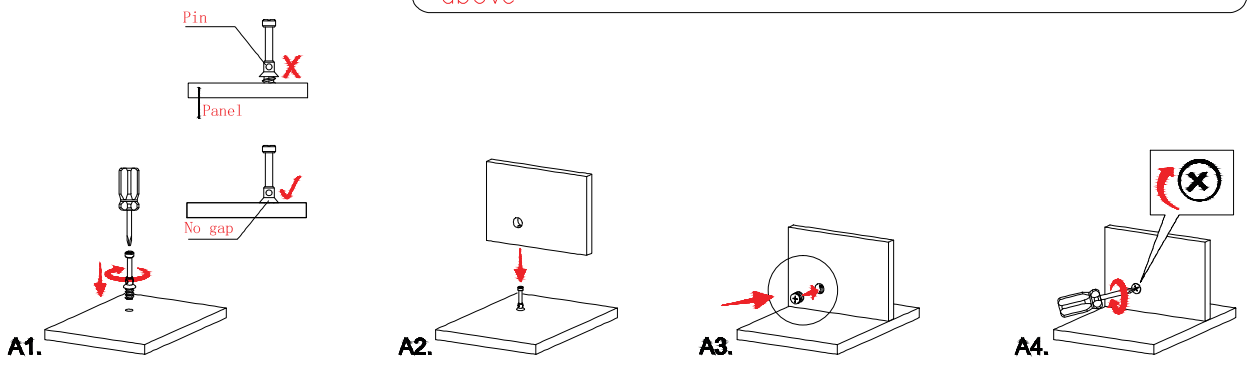
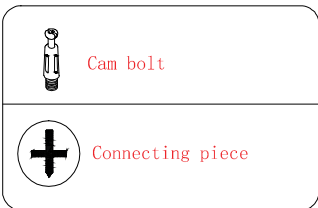
# HARDWARE SPARE LIST

<p>B</p>  <p>8x30mm 1PCS</p>	<p>D</p>  <p>6x40mm 1PCS</p>	<p>E</p>  <p>Ø15*11mm 1PCS</p>	<p>G</p>  <p>M6x50mm 1PCS</p>	<p>H</p>  <p>#3*14 2PCS</p>
<p>I</p>  <p>1PCS</p>	<p>J</p>  <p>1PC</p>	<p>N</p>  <p>1PCS</p>		

This furniture requires two people to assemble and move.  
 Make sure no parts missing or damaged before assembly.





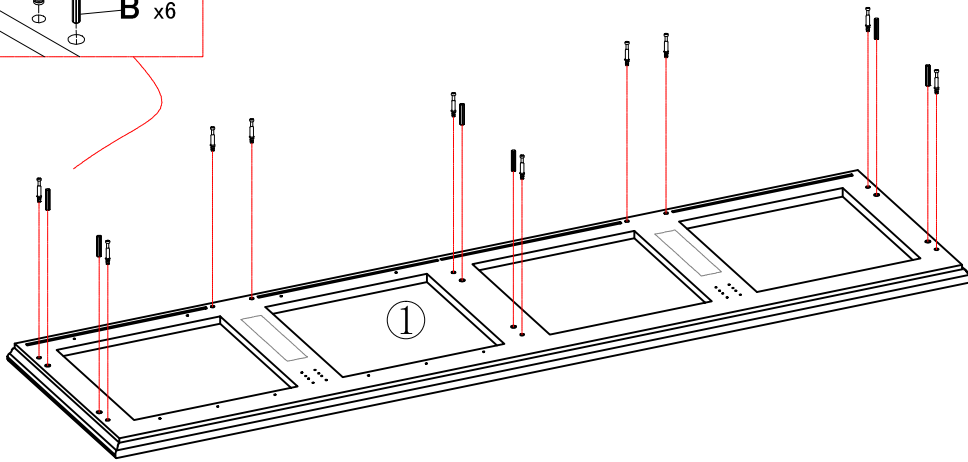
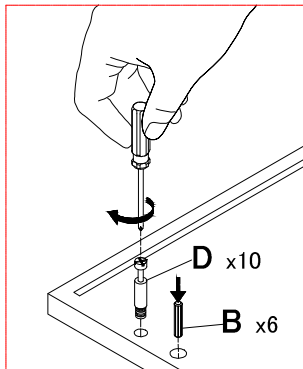
**CAM BOLT INSTALLATION AS BELOW**



# STEPS

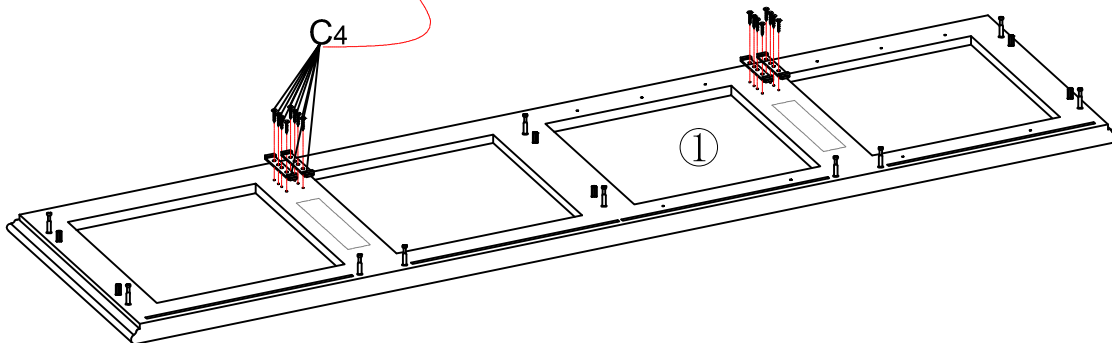
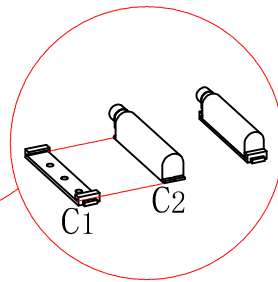
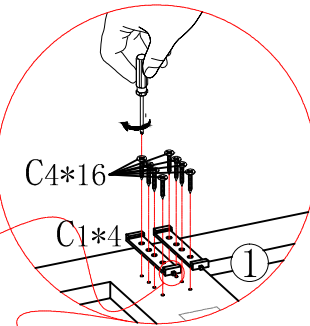
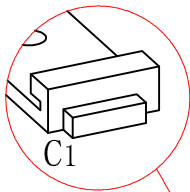
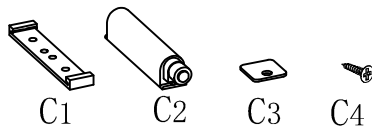
**STEP-1**

	D x10PCS
	B x6PCS





**STEP-2**

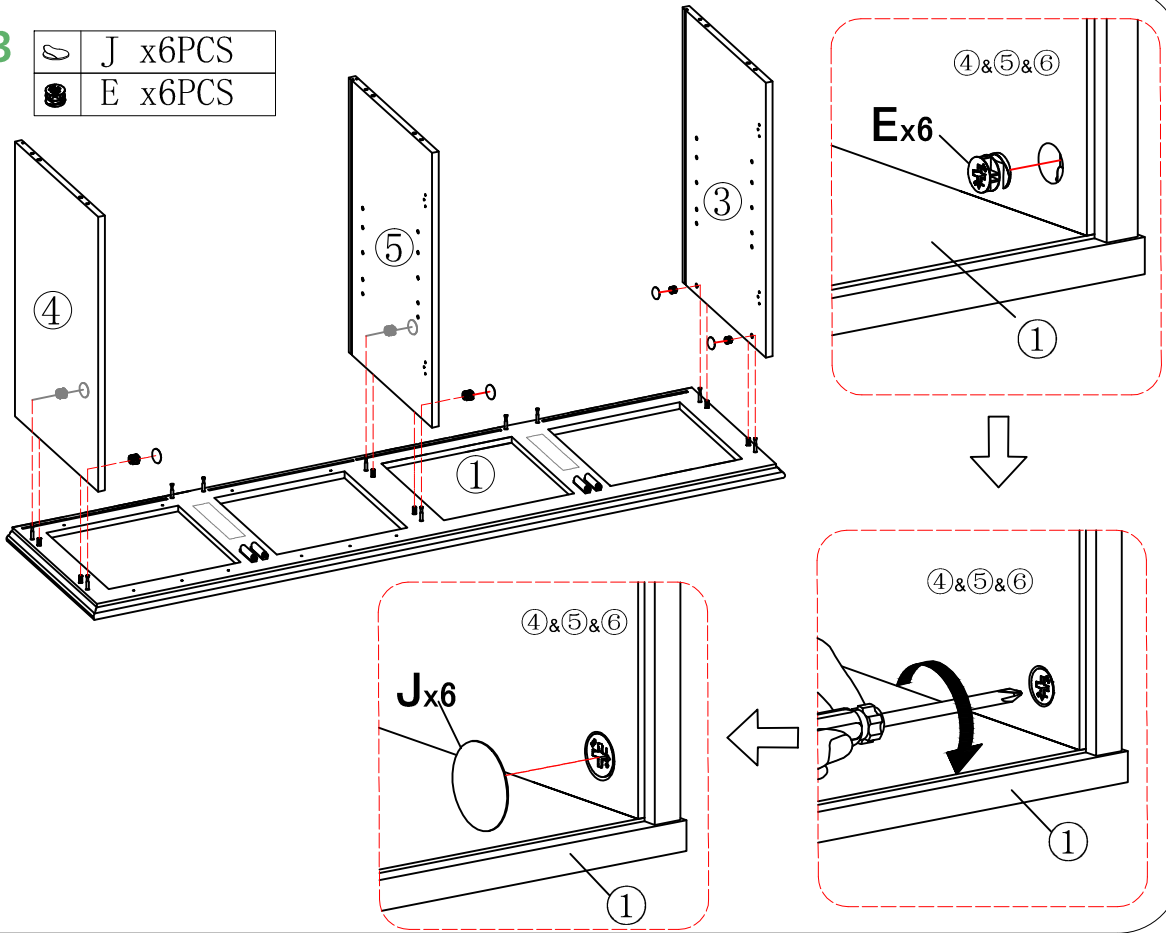
	C x4PCS
---	---------





# STEPS

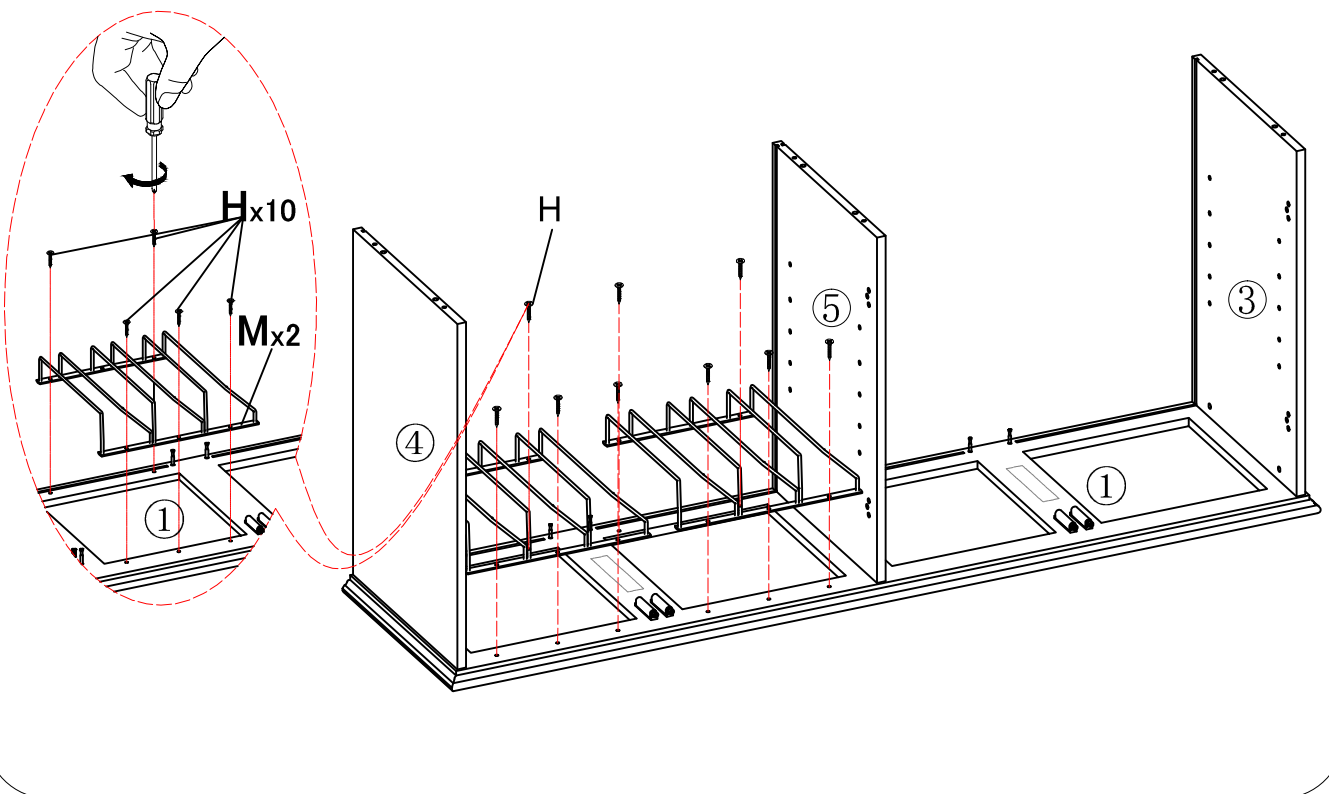
## STEP-3

	J x6PCS
	E x6PCS





## STEP-4

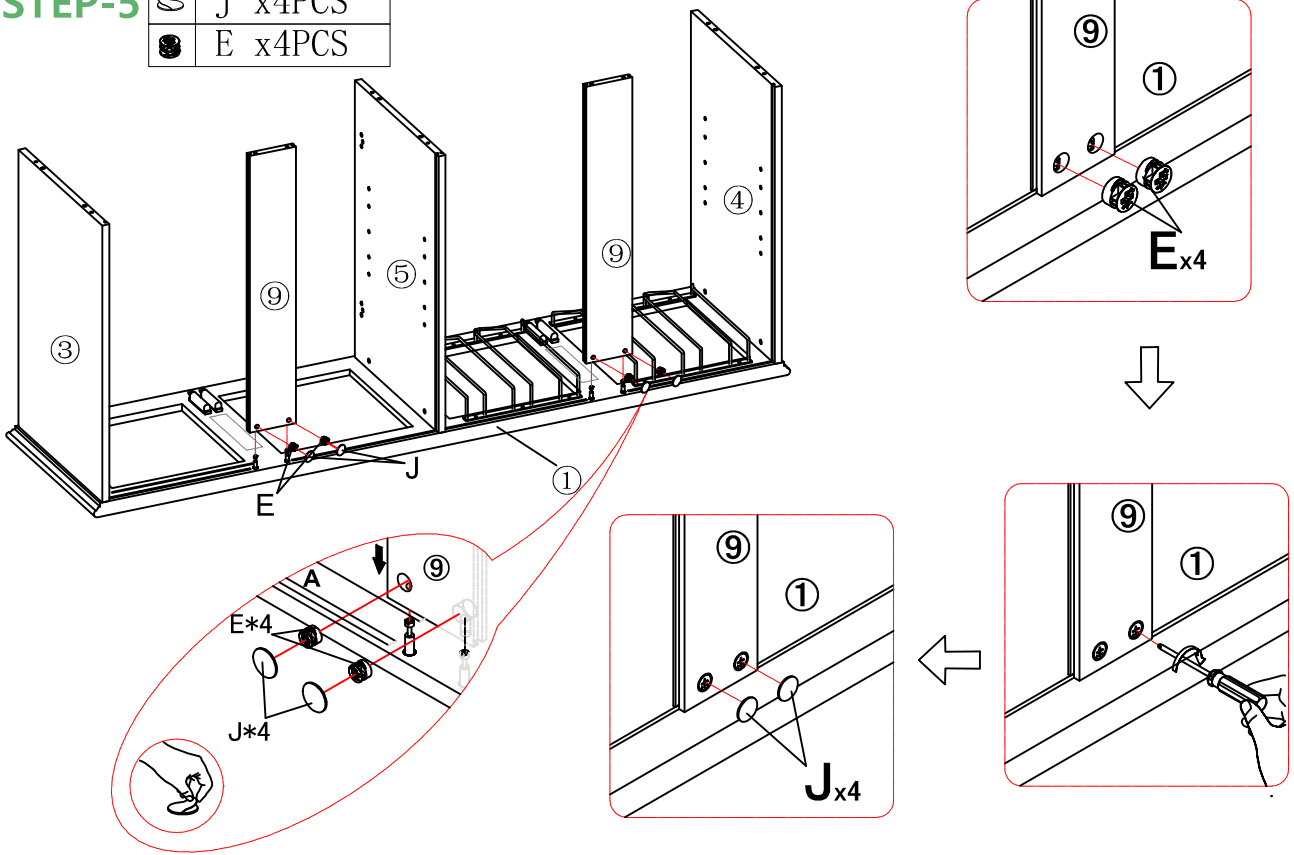
	H x10PCS
	M x2PCS




# STEPS

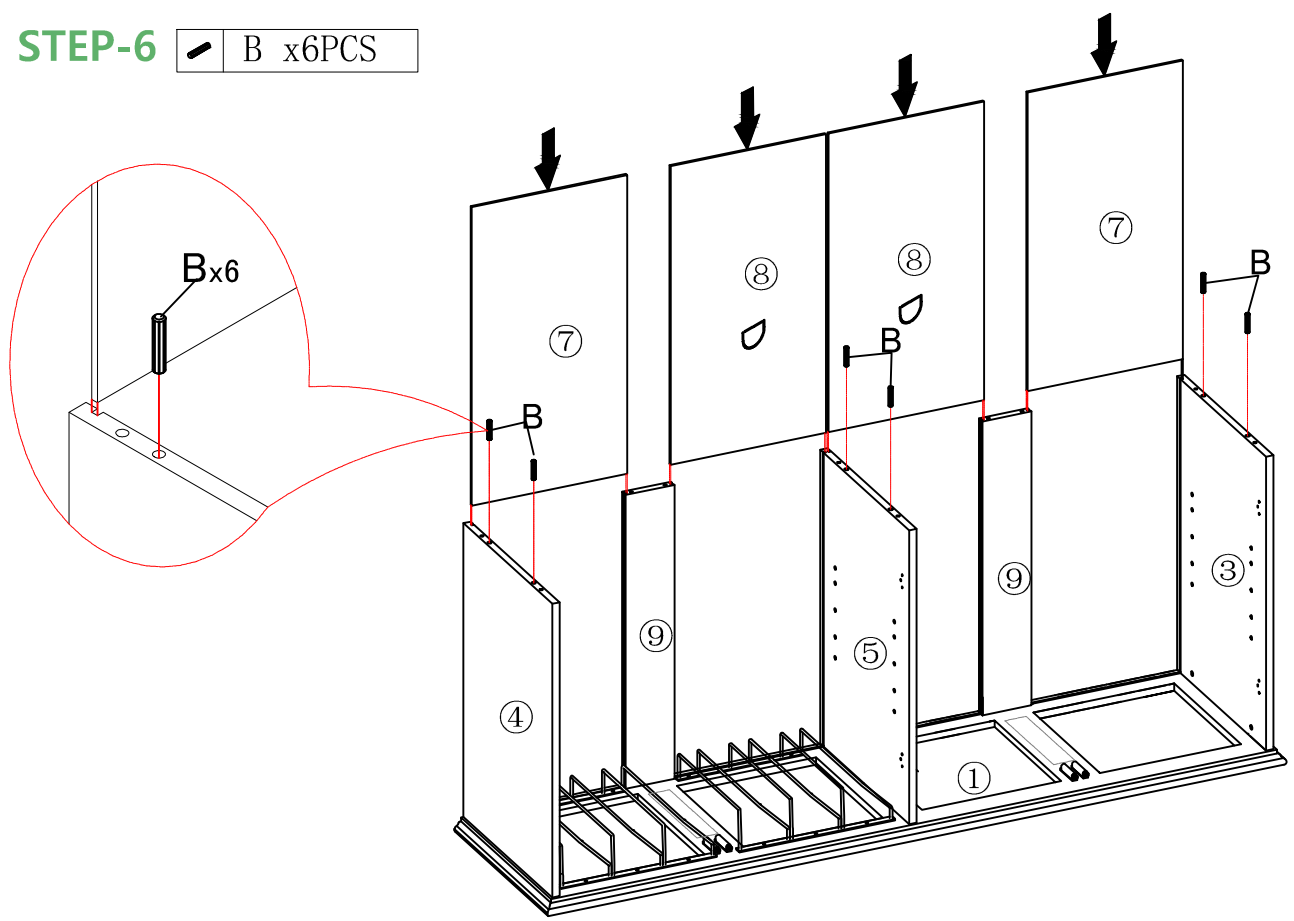
## STEP-5

	J x4PCS
	E x4PCS





## STEP-6

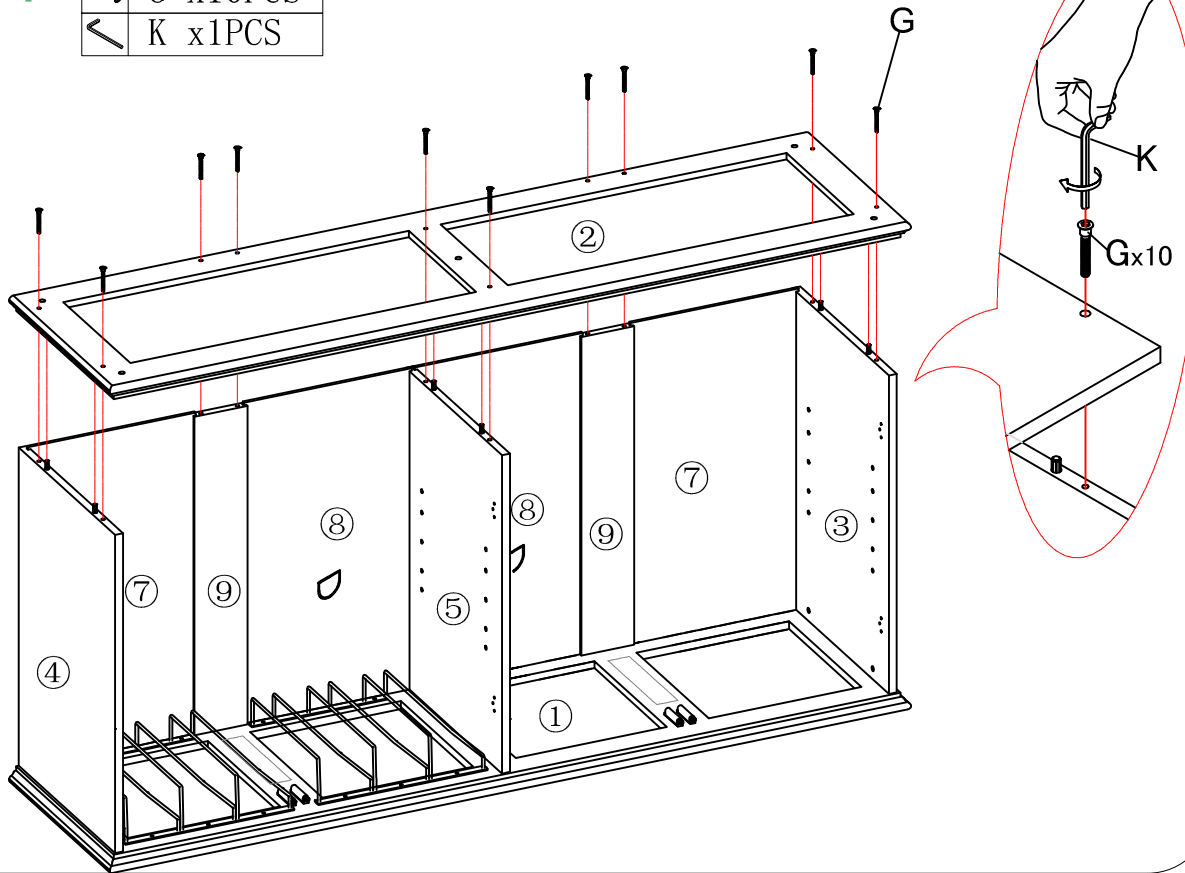
	B x6PCS
---	---------



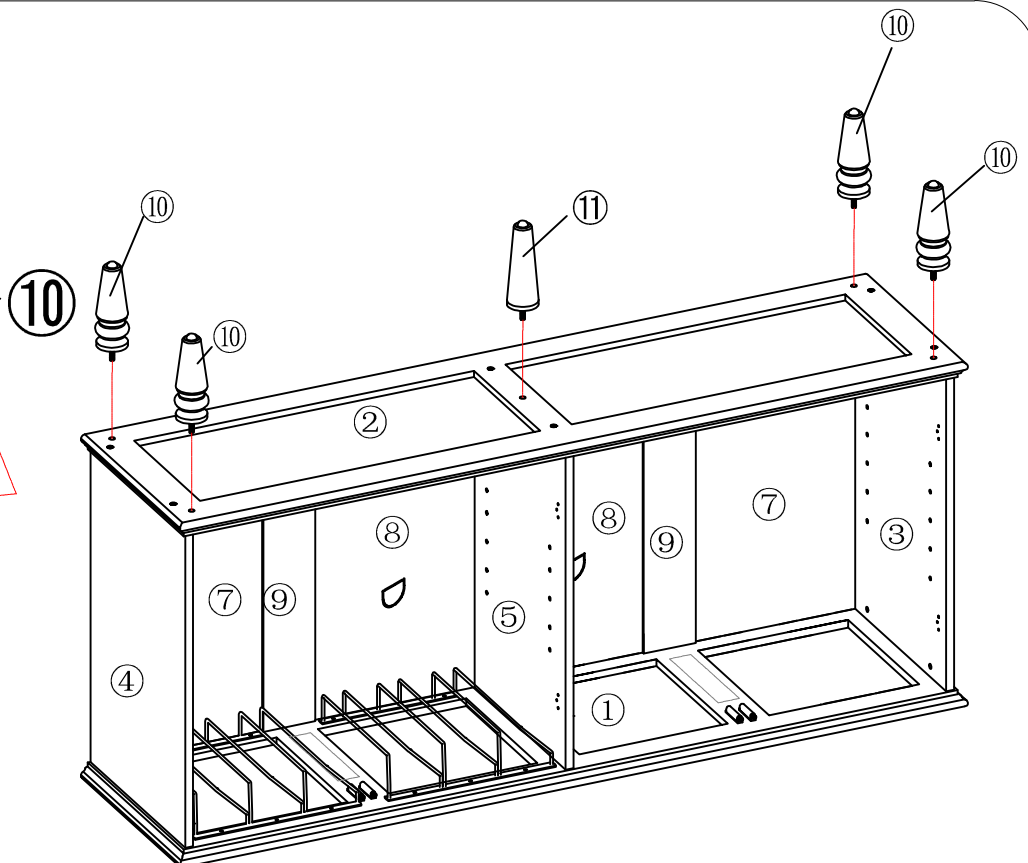
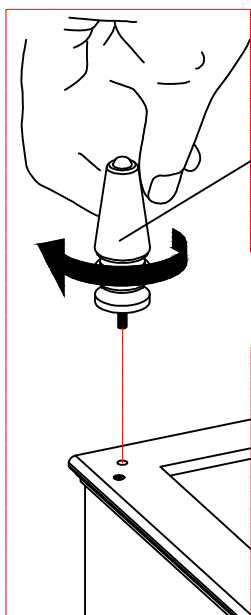
# STEPS

## STEP-7

	G x10PCS
	K x1PCS

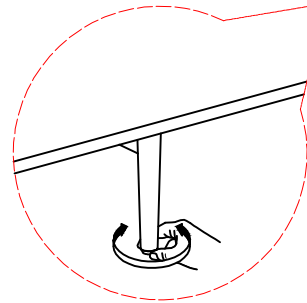
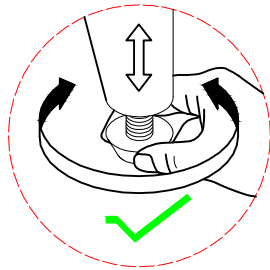
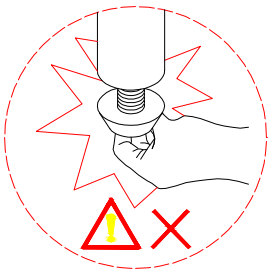
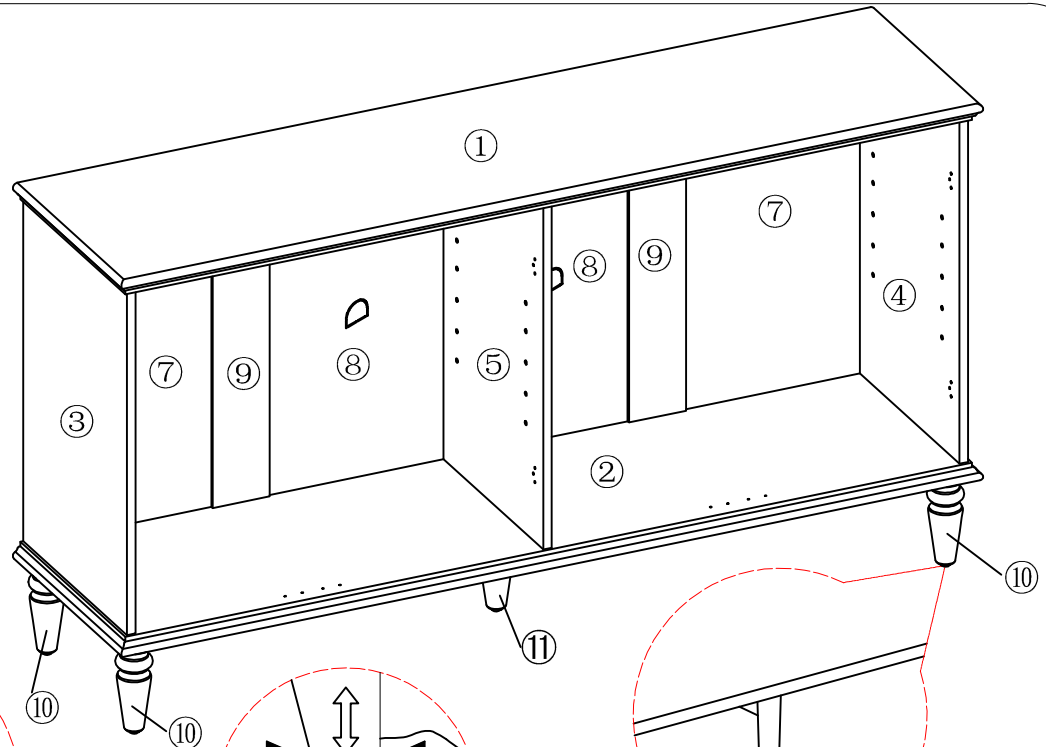


## STEP-8



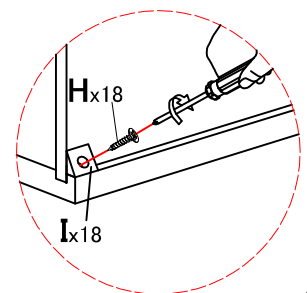
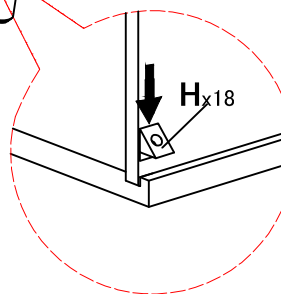
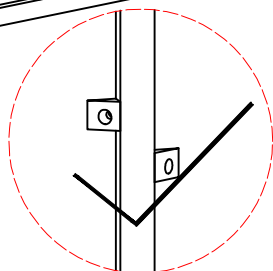
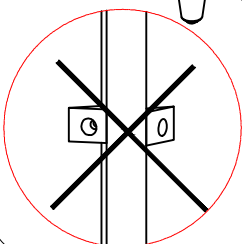
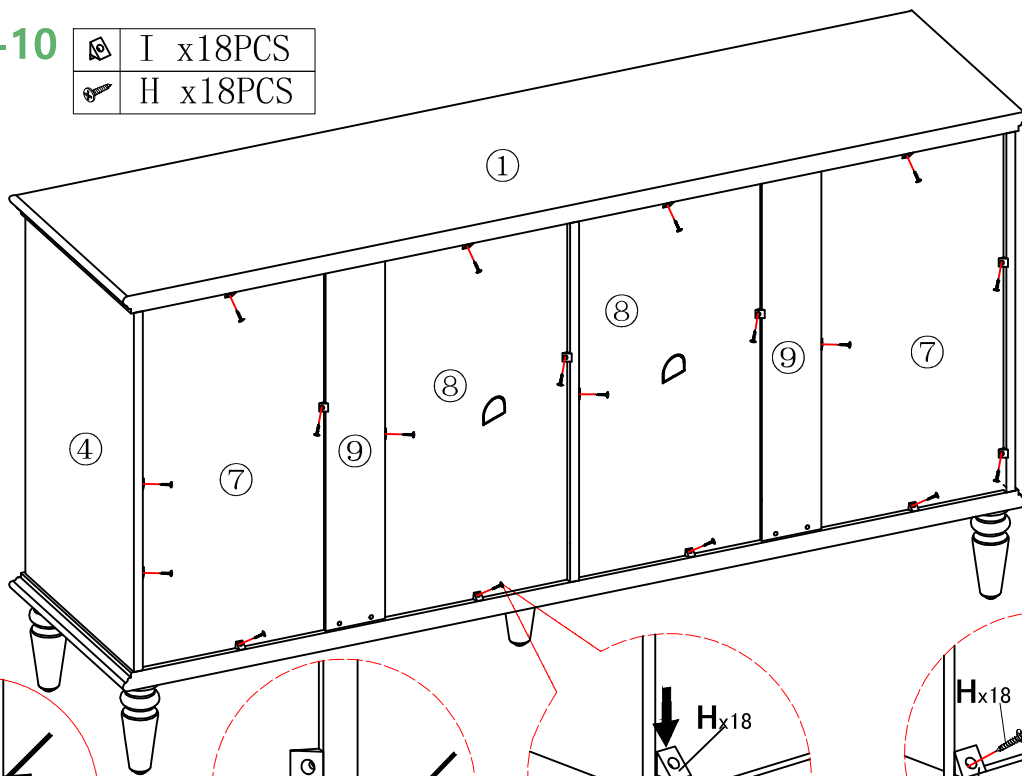
# STEPS

## STEP-9



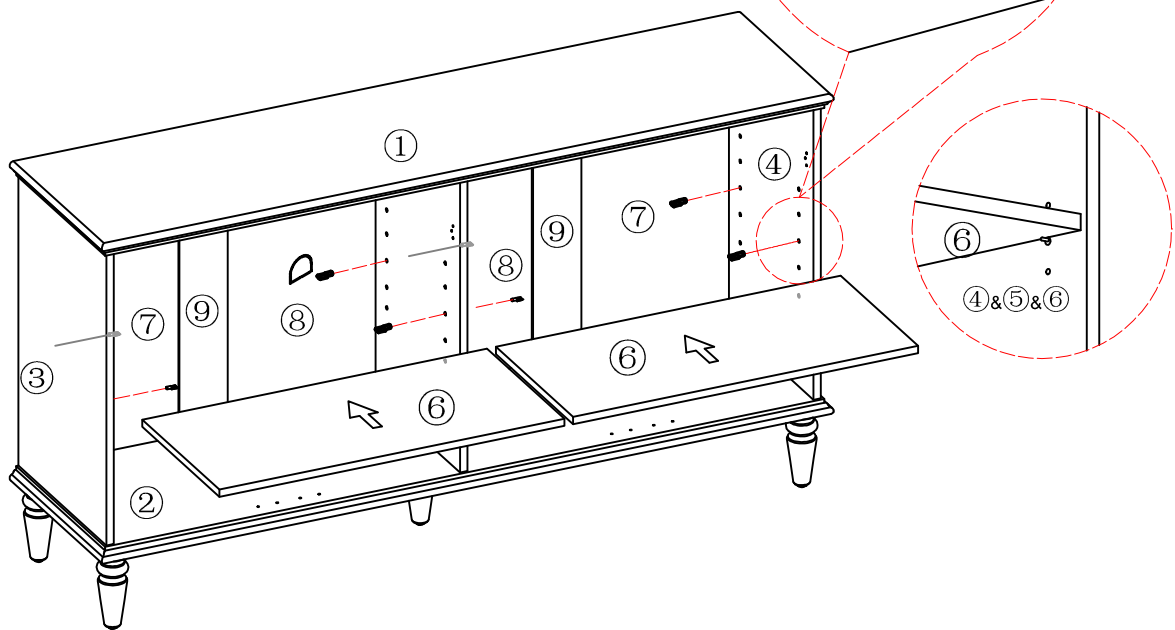
## STEP-10

	I x18PCS
	H x18PCS

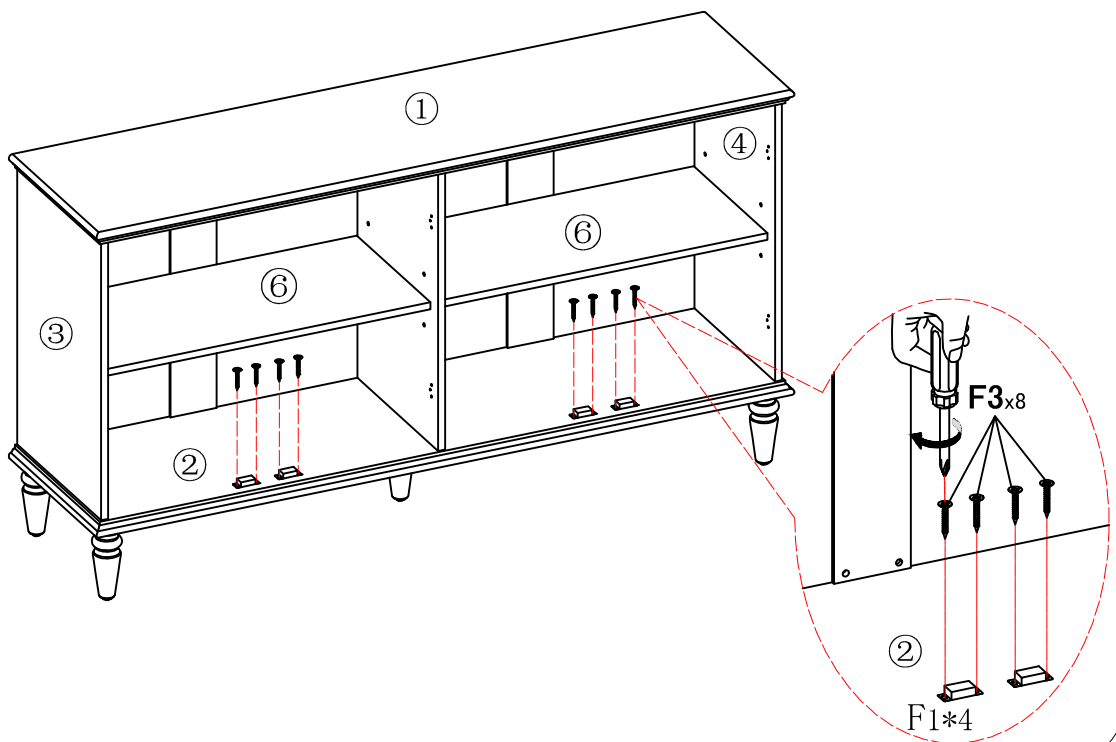
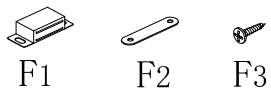


# STEPS

## STEP-11 N x8PCS






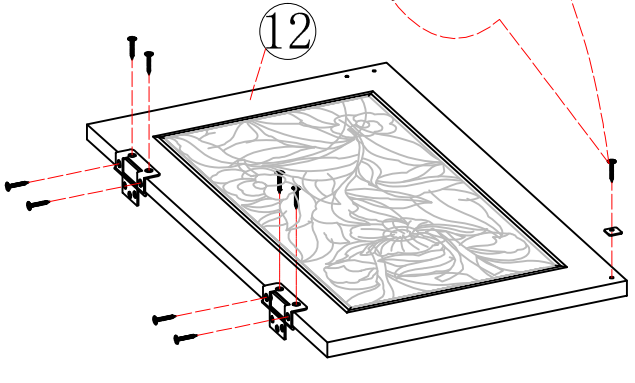
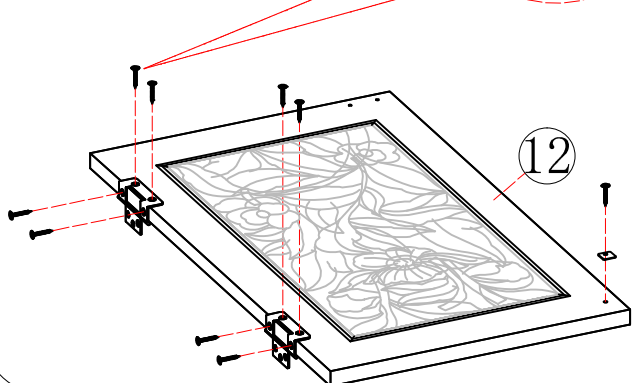
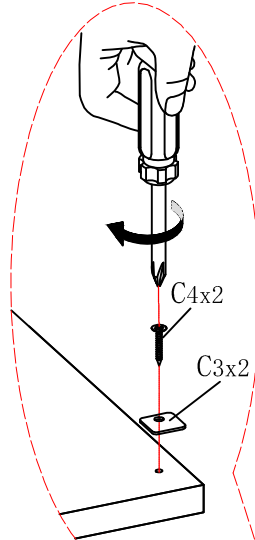
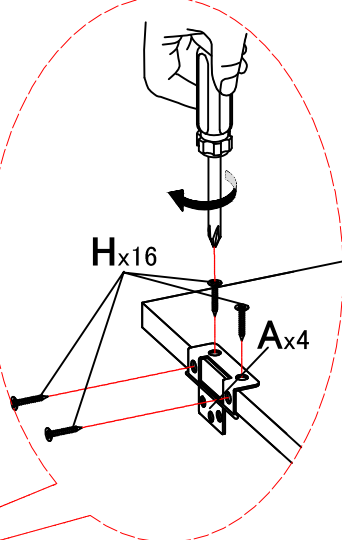
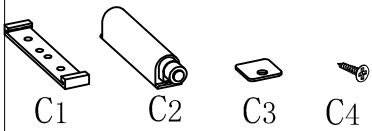
## STEP-12 F x4PCS



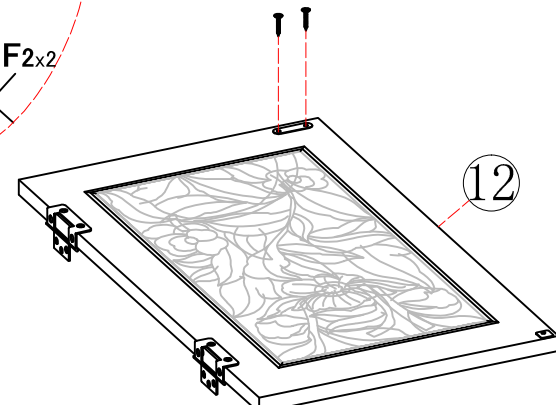
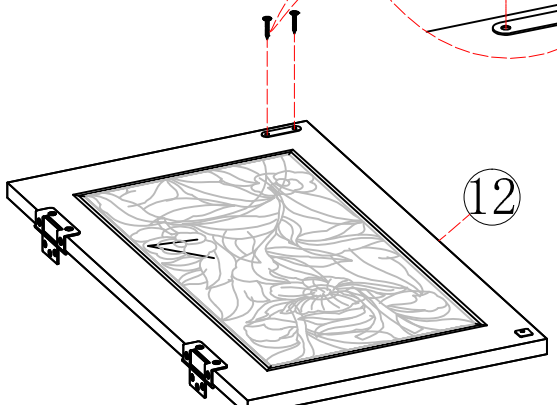
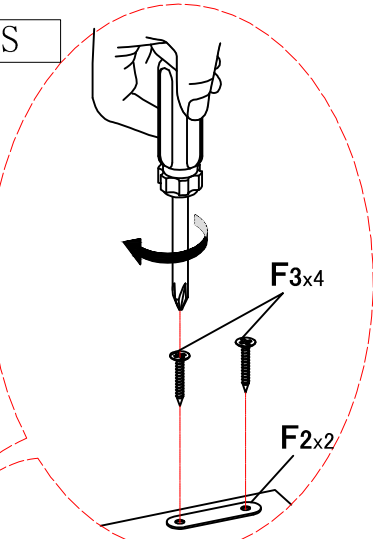
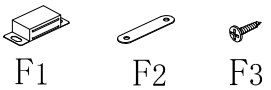
# STEPS

## STEP-13

	A x4PCS
	H x16PCS
	C x2PCS



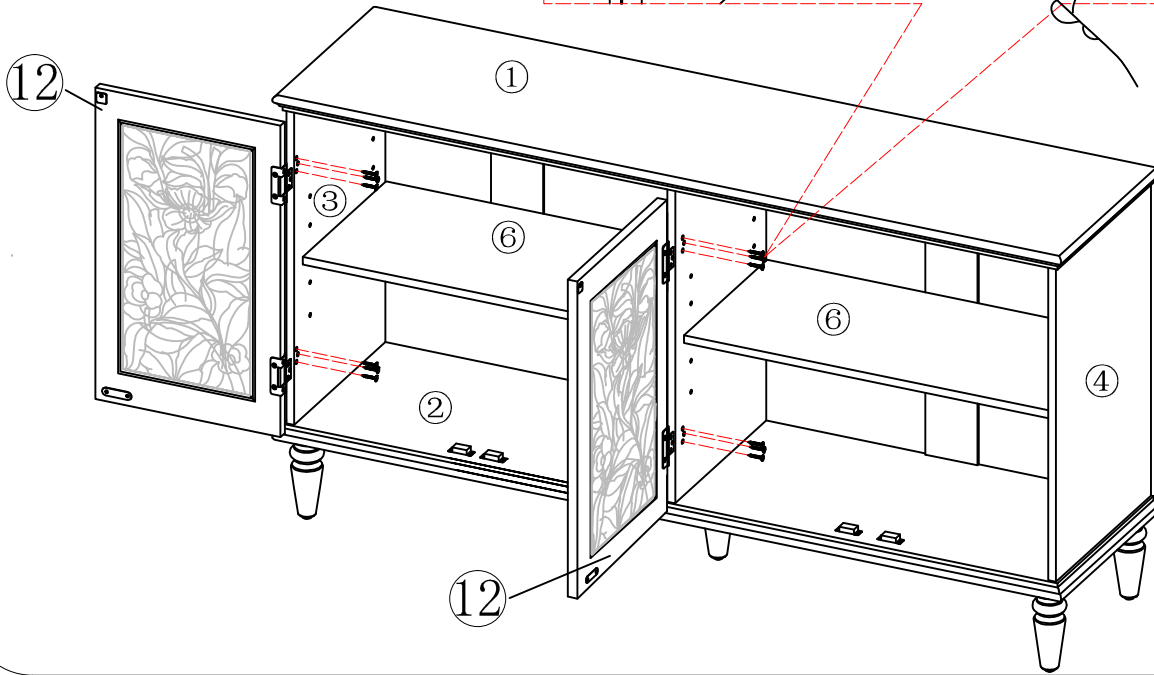
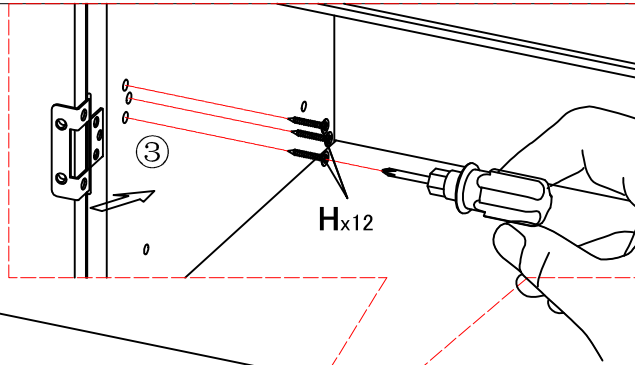
## STEP-14 F x2PCS



# STEPS

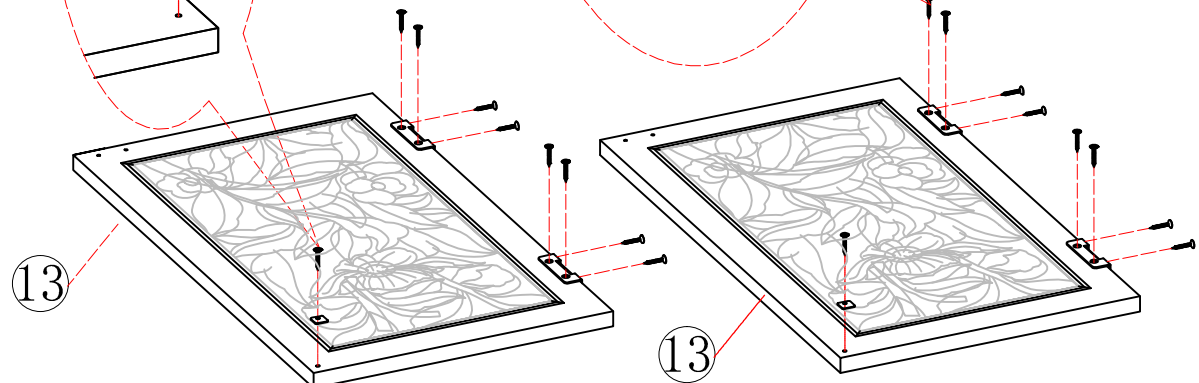
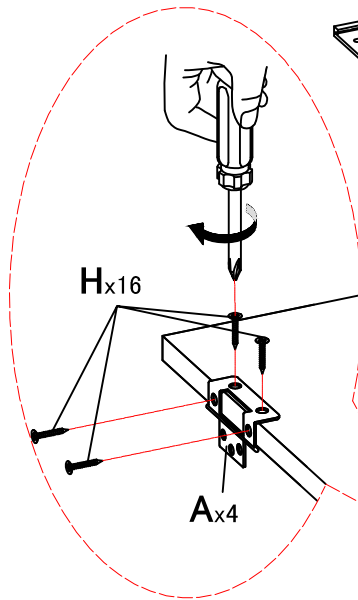
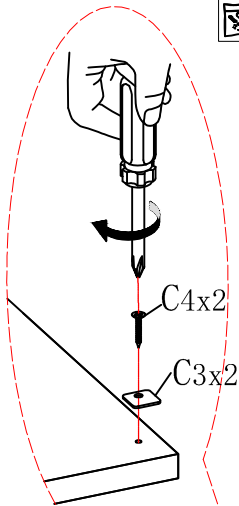
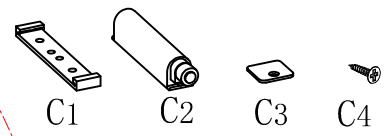
## STEP-15

#3\*14 H x12PCS



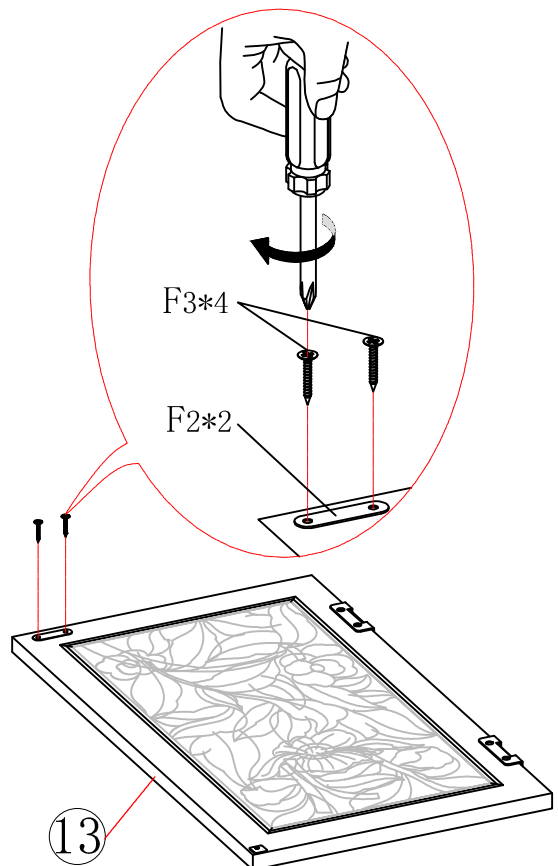
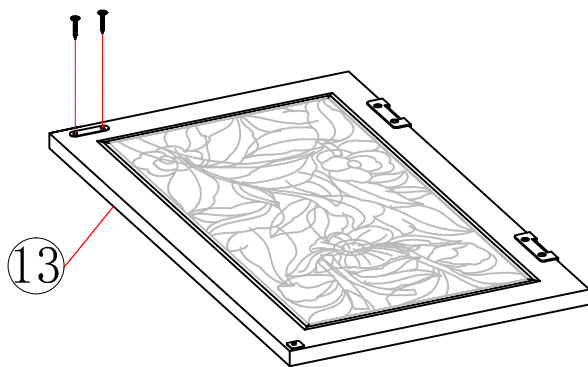
## STEP-16

	A x4PCS
	H x16PCS
	C x2PCS

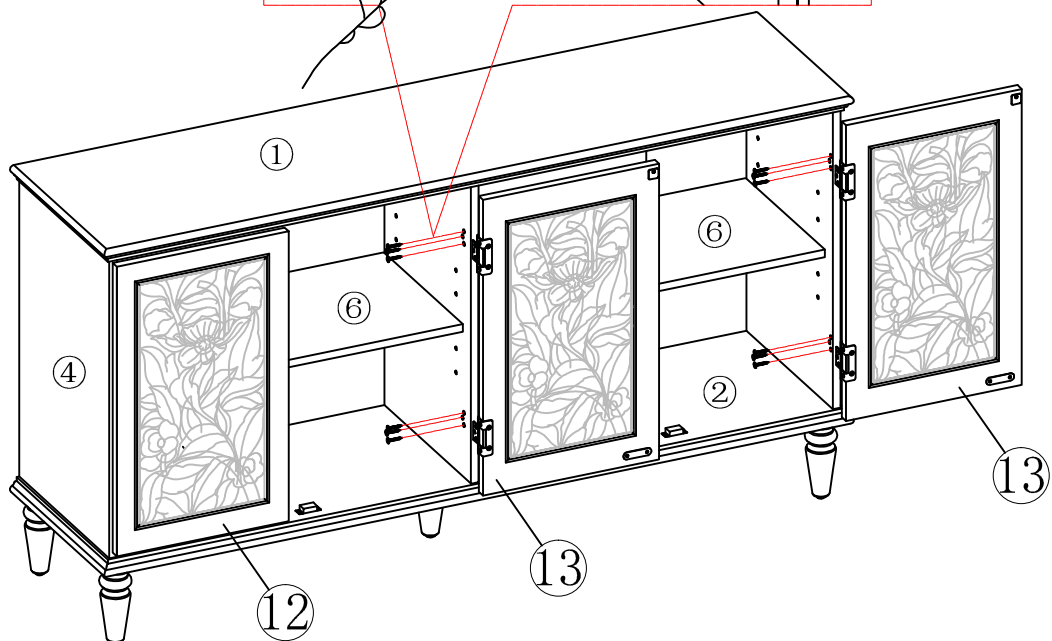
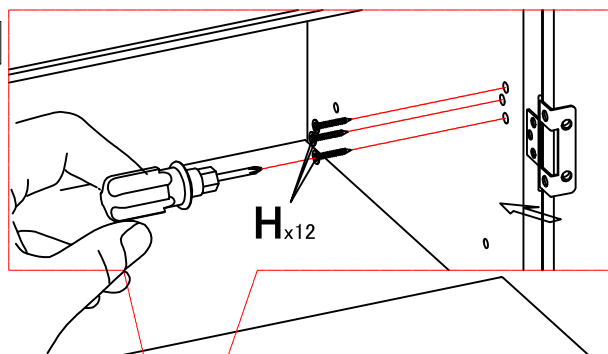


# STEPS

## STEP-17 F x2PCS



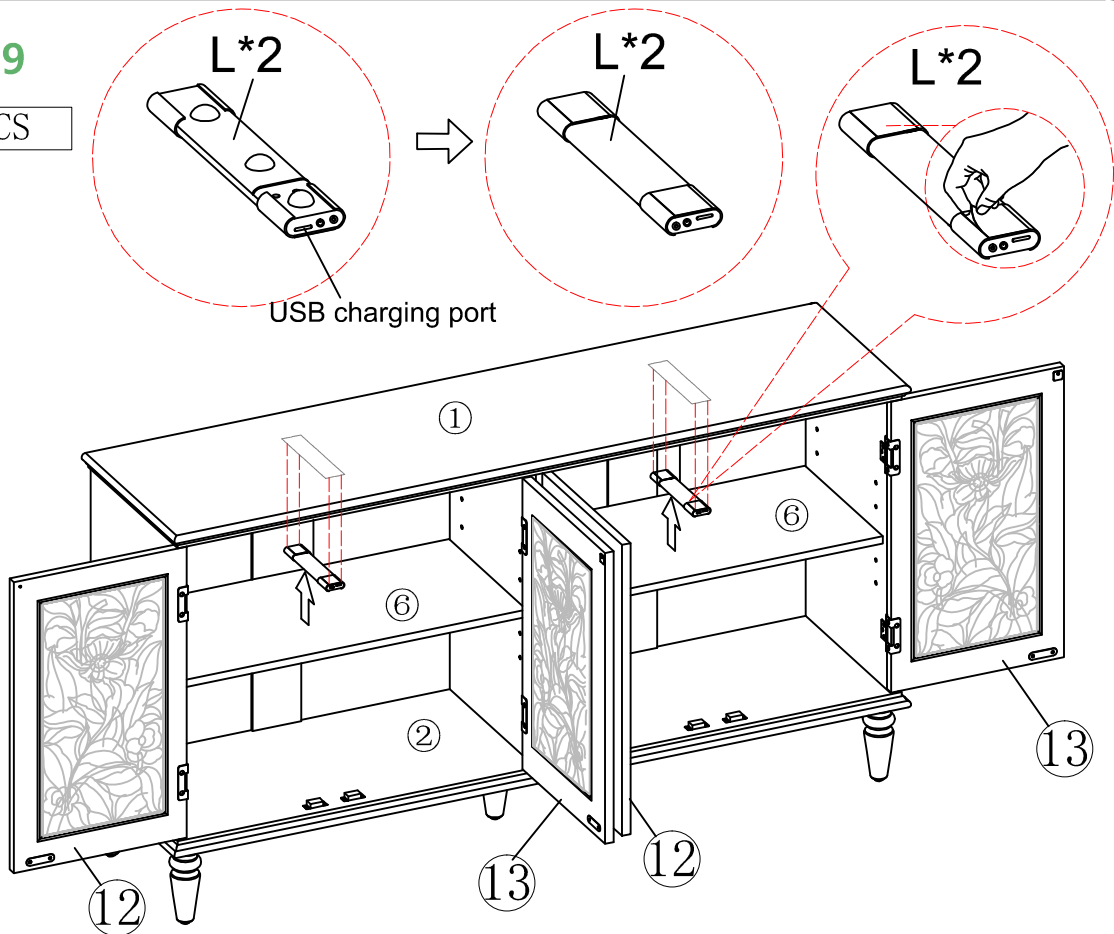
## STEP-18 H x12PCS



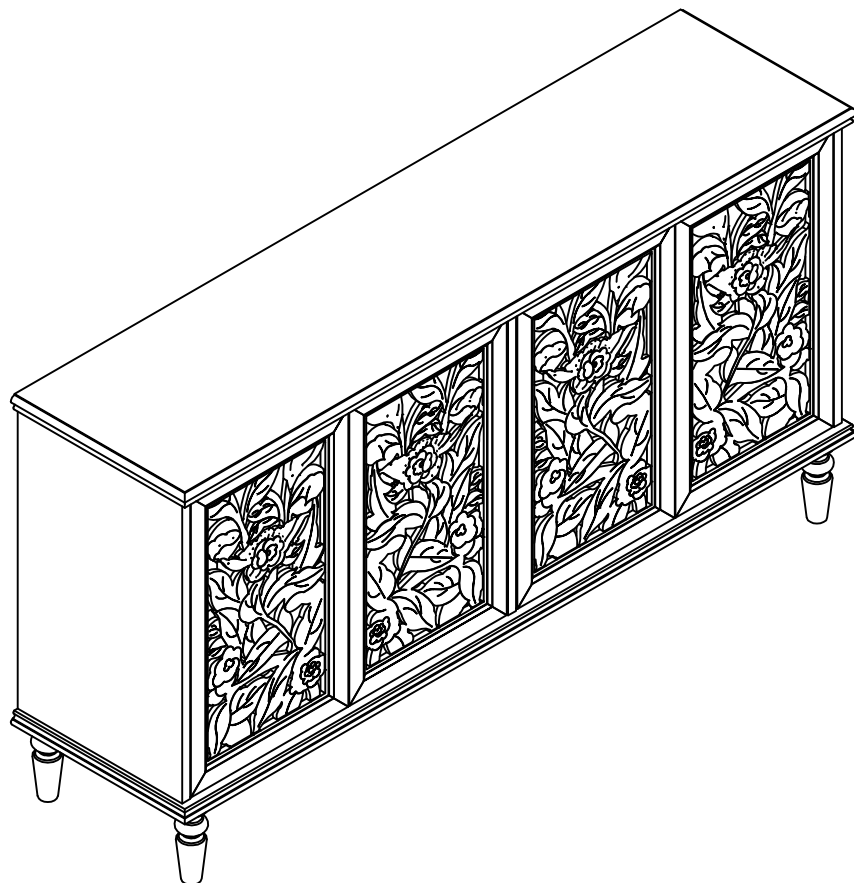
# STEPS

## STEP-19

L x2PCS




## STEP-20



## STEPS

### STEP-21

Key: 

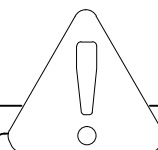
- 1.Short press: Cycle switch white light, warm light, neutral light.
- 2.Long press: When the light is on, press the button to adjust the brightness without releasing it. Release the button to lock the brightness.

Key: 

- 1.The initial state is off.
- 2.Press the first button to enter the steady state. (Induction function does not work in steady on mode and will not be automatically extinguished)
- 3.Press the second button to enter night mode. (The light body flashes three times to prompt, and then enters the night induction mode after the mountain finishes.)
- 4.Press the third button to enter daytime induction mode. (The light body flashes twice as a prompt, and then enters the daytime mode)
- 5.Press the fourth button to return to the closed state and so on.

Human body induction mode special description:

- 1.Set [night] induction mode, under the condition of sufficient light, the lamp will not light up when it senses people, only under the condition of insufficient light and sensing people will automatically light up.
- 2.Set the induction mode [during the day], whether the light is sufficient or not, the lamp will automatically light up when it senses people.
- 3.After people leave the induction area, the lamp will be automatically extinguished in about 25 seconds.
- 4.If the person keeps moving in the sensing area, the light will keep on.



**Special note:**  
**Please fully charge before first use.**