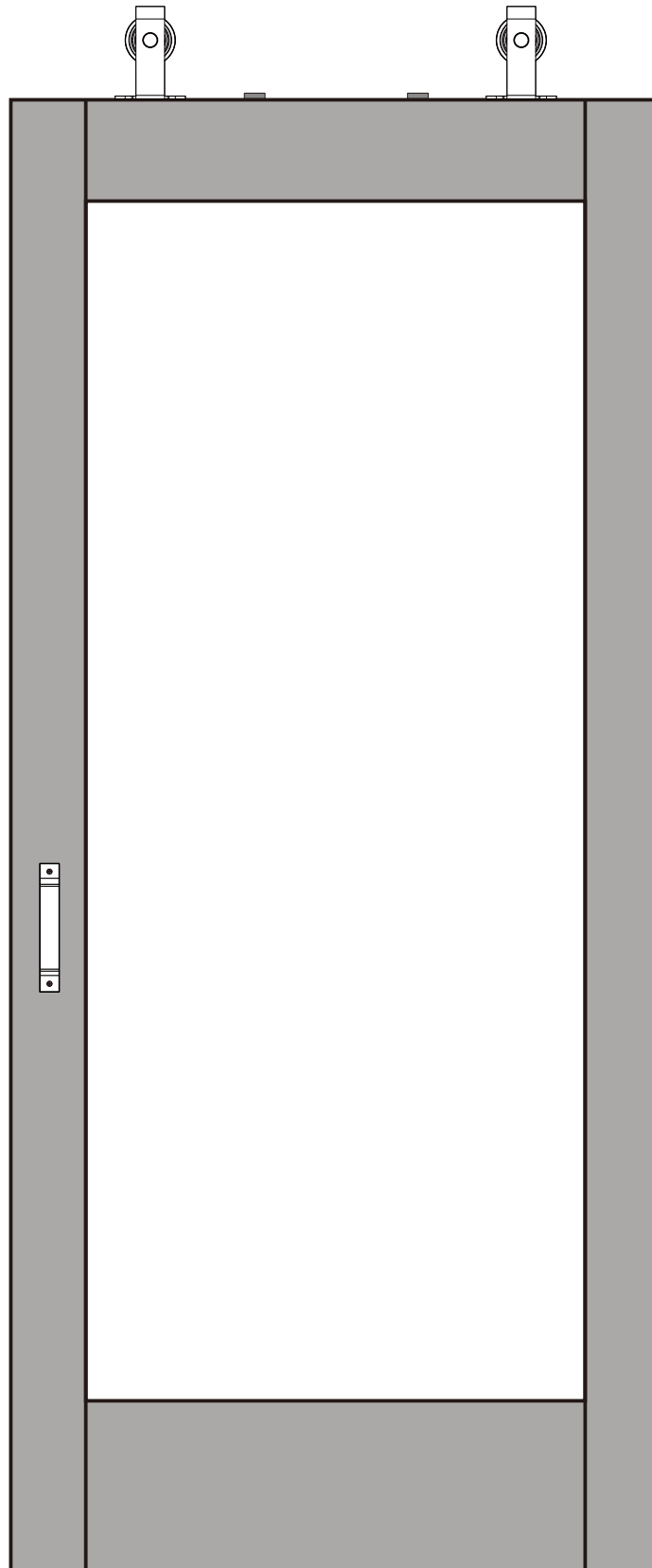


# Installation Manual

MYSD1P-36x84IN+HD

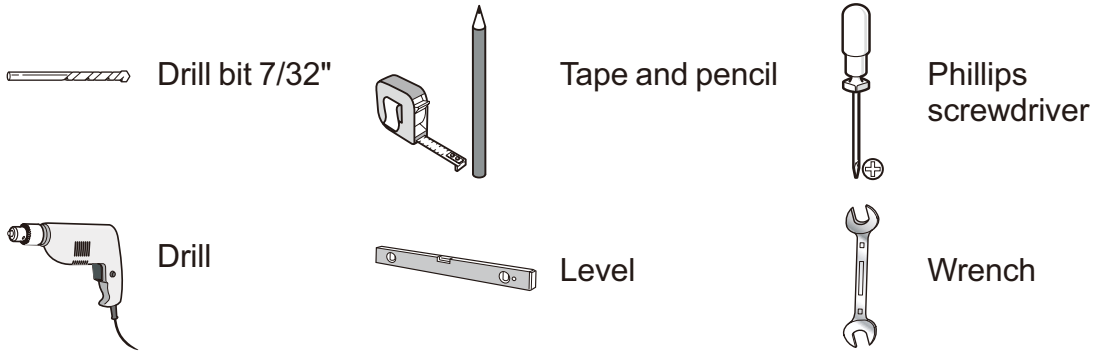
---

Any question please contact us:  
**[yoursupport@163.com](mailto:yoursupport@163.com)**



# Pre-Installation

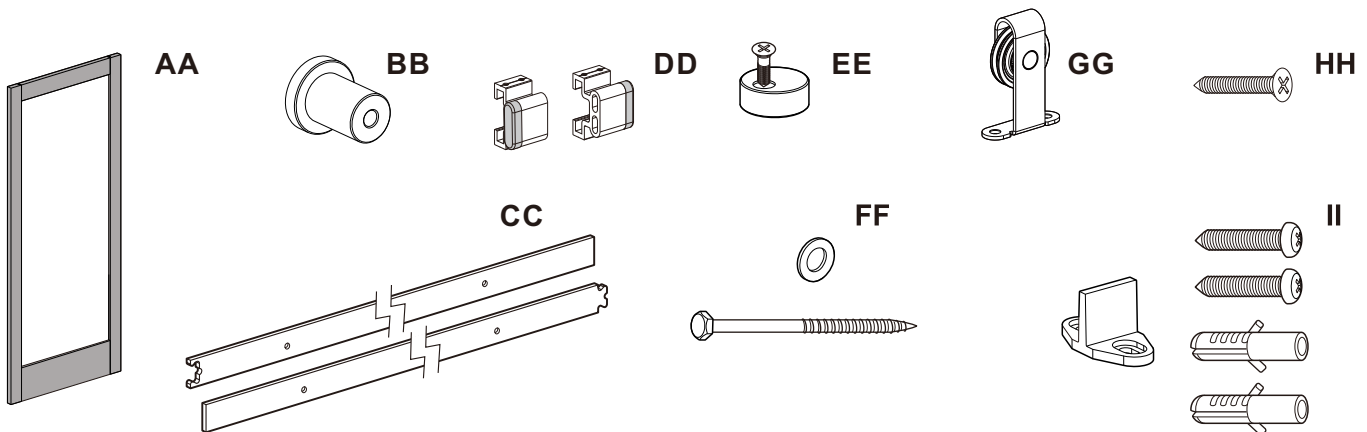
## TOOLS REQUIRED



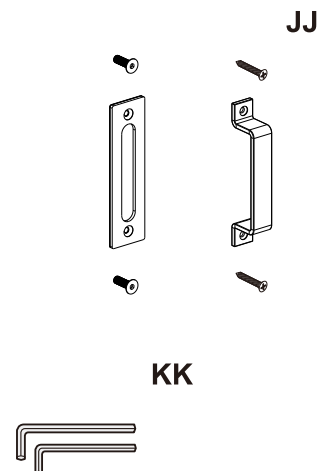
## HARDWARE INCLUDED



**NOTE: Hardware not shown to actual size.**



Part	Description	Quantity
AA	36x84 Door	1
BB	Spacer	5
CC	Rail	2
DD	Stopper	2
EE	Anti-Jump Disc with screw	2
FF	Lag screw with washer	5
GG	Door hanger	2
HH	Hanger door screw	4
II	Floor guide with screws	1
JJ	Handle with screws	2
KK	Allen key	1

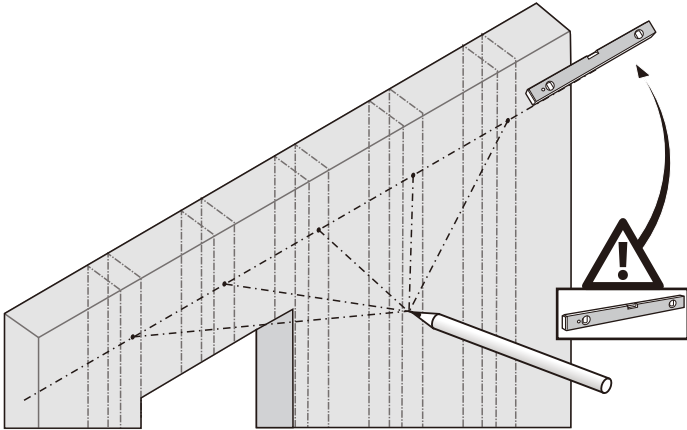


To provide feedback on a particular part, please mark it by circling in the instruction manual and kindly send us a photo.

# Installation

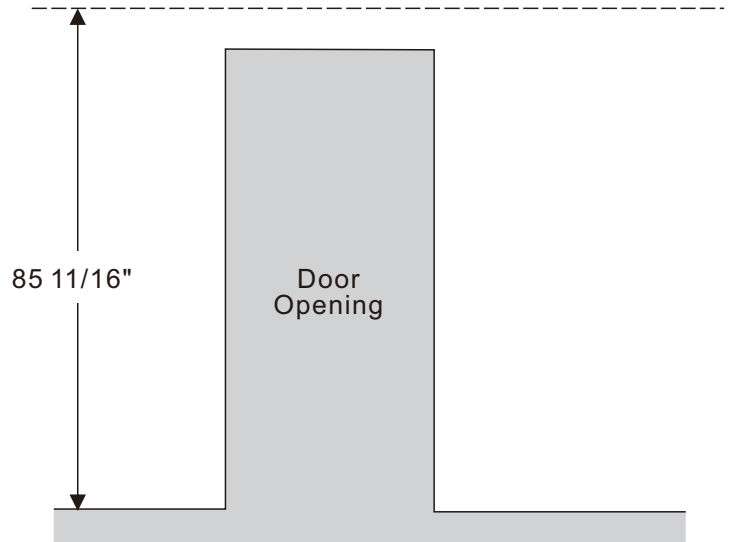
## 1 Locating Studs

- With a stud finder locate the studs near the door opening.



## 2 Measuring Height

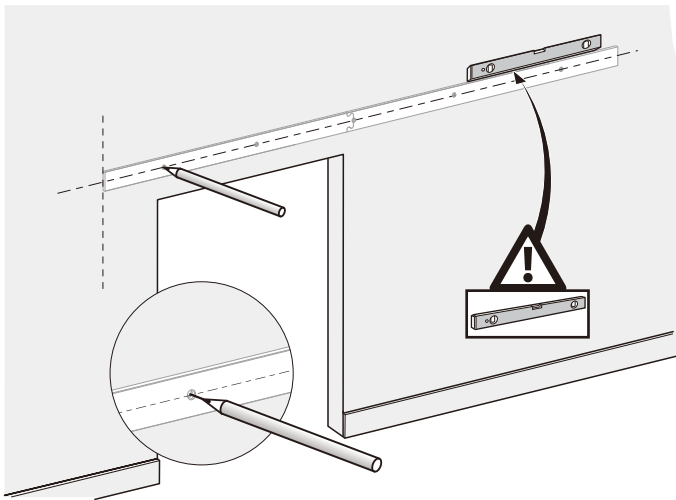
- From the floor, measure  $85 \frac{11}{16}$ " to determine the center height of the rail.



## Installation (continued)

### 3 Drilling Pilot Holes

- Position the rail on the wall so that the height pass in the middle of each hole.
- Mark the location for each lag screw over the studs.
- Drill 7/32" pilot holes at each mark.

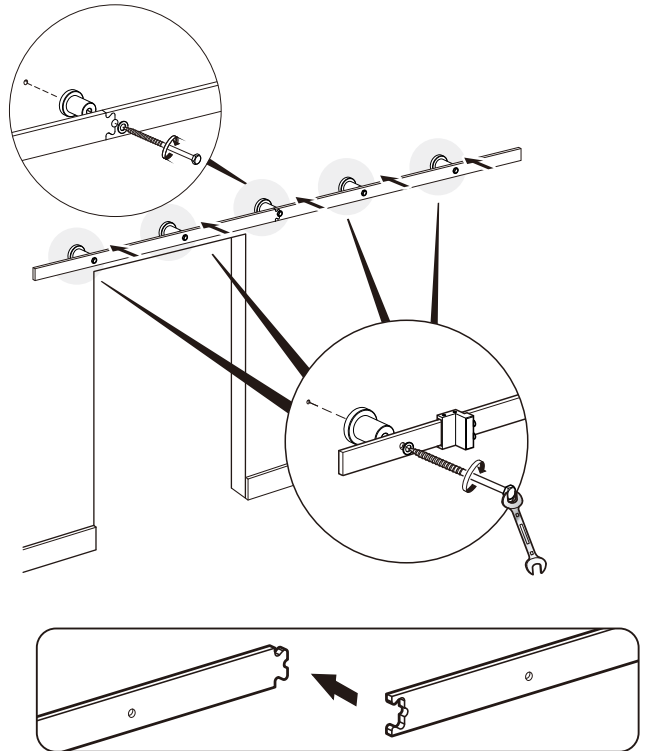


### 4 Installing the rail



CAUTION: If the rail is not installed level, the door may slide open or closed without warning.

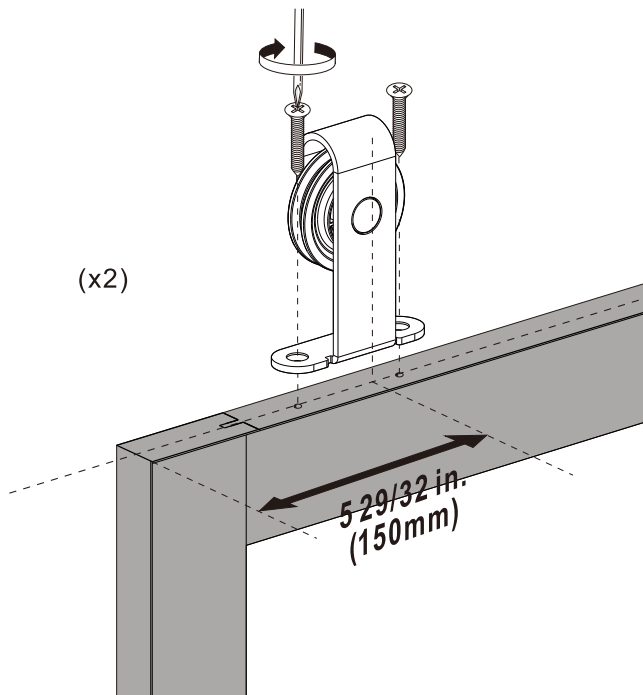
- Assemble the two rails (CC) together.
- Place one lag screw with washer (FF) through the middle hole then through a spacer (BB). Do not fully tighten.
- Repeat process with holes that are at the ends of the rail.
- Use a level on top of the rail to ensure it is properly levelled.
- Tighten the three lag screws completely.
- Repeat for the two remaining lag screws and spacers.



## Installation (continued)

### 5 Fixing Door Hangers

- Position the hanger (GG) with its middle at  $5\frac{29}{32}$ " from the edge of the door (AA) and centered.
- Ensure the hanger is straight and secure into place.
- Repeat on the other side.

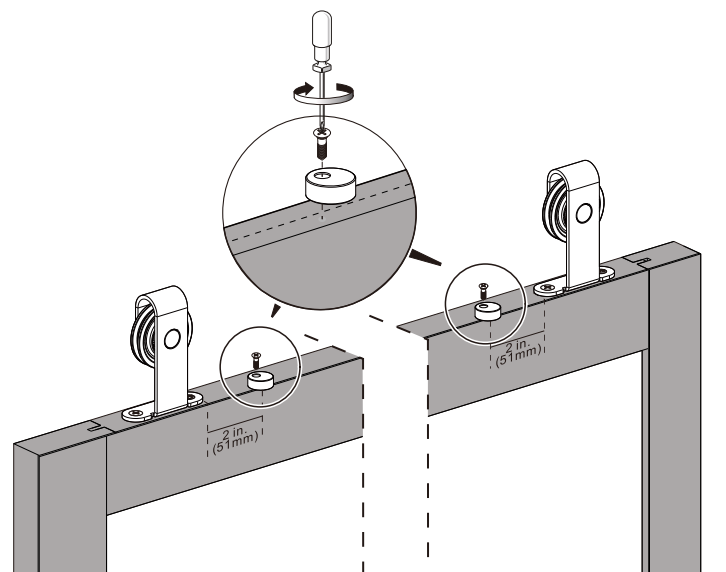


### 6 Fixing Anti-Jump Discs



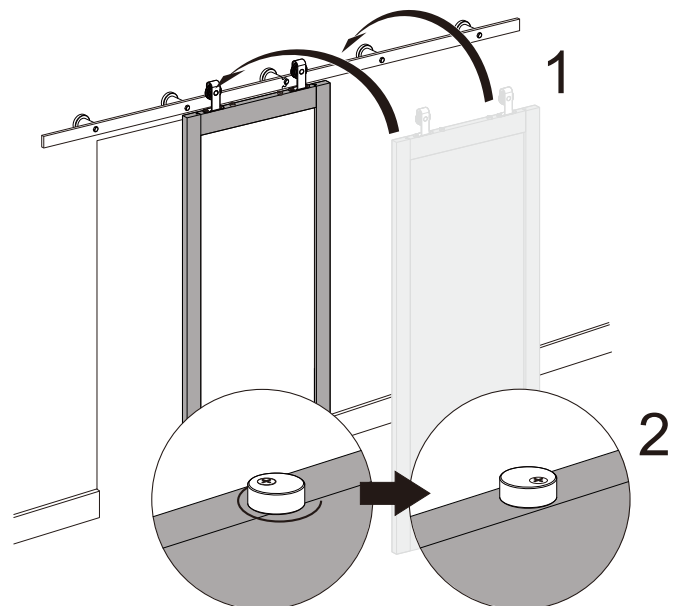
**IMPORTANT:** Anti-jump discs must be installed to prevent door from derailing.

- Loosely fasten the anti-jump discs (EE) 2in. from each door hanger.
- To be able to install the door on the rail, anti-jump discs must be turned towards the front of the door.



### 7 Hanging the Door

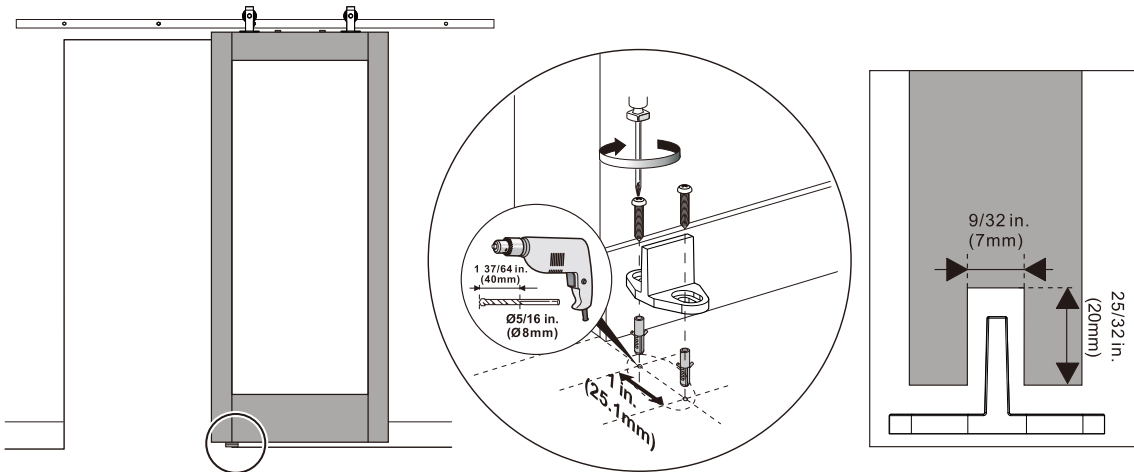
- Hang the door on the rail. (figure 1)
- Rotate anti-jump discs so they are positioned on top of the door and underneath the rail. (figure 2)
- Tighten the screws.



## Installation (continued)

### 8 Installing Floor Guide

- Ensure the door is levelled.
- Align floor guide (II) with the bottom groove of the door.
- Fix the floor guide on the opening side, as close to the doorway as possible.

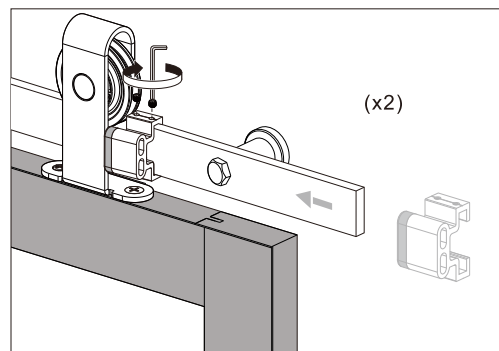
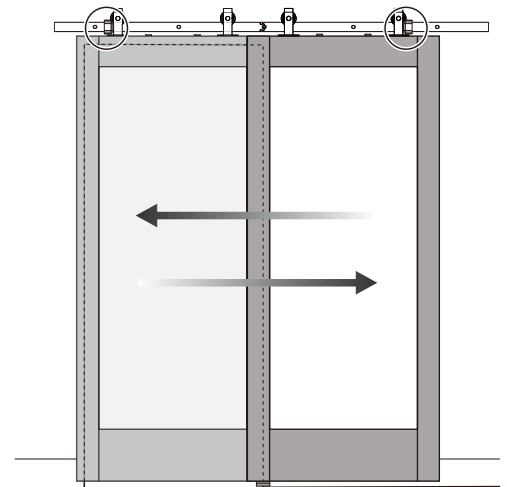


### 9 Securing Door Stoppers



**IMPORTANT:** Stoppers are used to avoid the door from rolling out the edge of the rail on both ends.

- Close the door to the desired position.
- Insert and secure the door stopper (DD) by tightening the screw.
- Open the door to the desired position.
- Insert and secure the door stopper (DD) by tightening the screw.



# 10 Installing Door Handle

- Put handle in place.
- Secure with screws.

