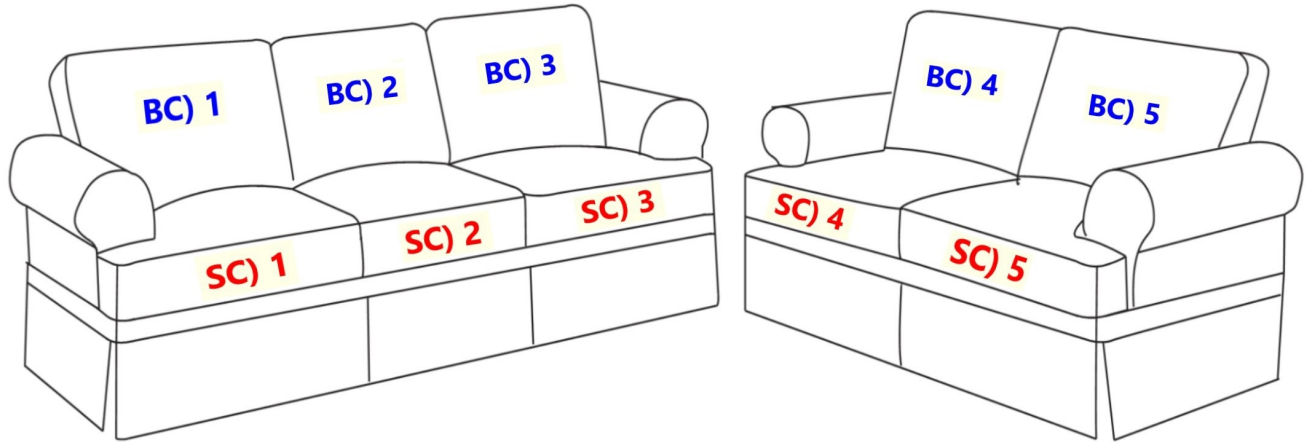


Assembly Instructions



BC - Back Cushion
SC - Seat Cushion
TP - Throw Pillow

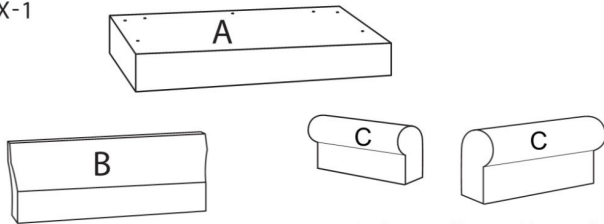


BOX 1 - LOVE

PARTS LIST

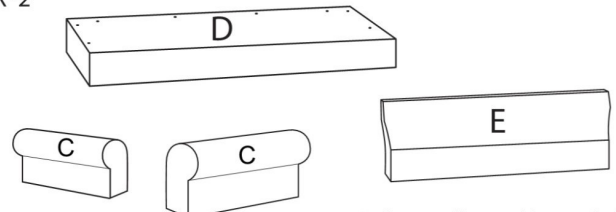
BOX 2 - SOFA

BOX-1



*Cushions, pillow and legs included

BOX-2



*Cushions, pillow and legs included

1. x15

2. x15

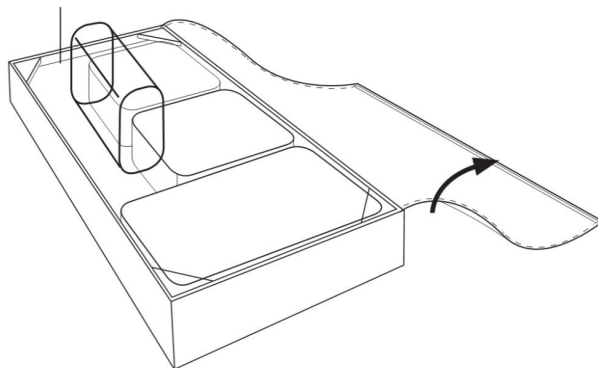
3. x15

4. x15

5. x2

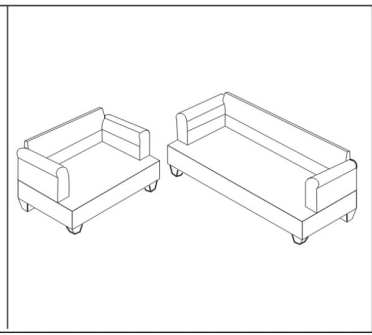
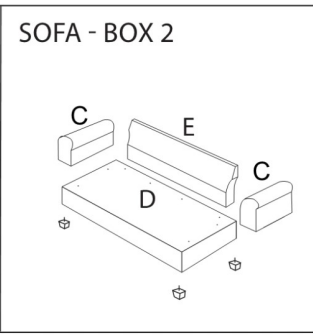
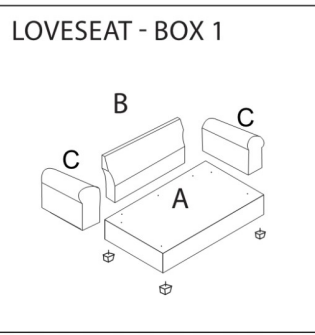
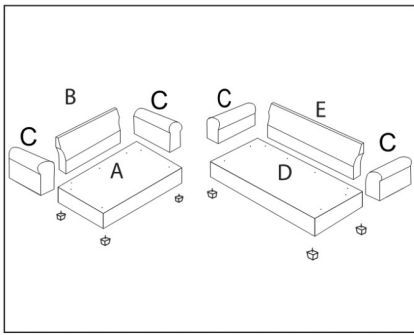
6. x8

BEFORE ASSEMBLY



Open up the Velcro of Non-Woven Fabric cover on the bottom of the seat frame to remove seat cushions, back cushions and pillow

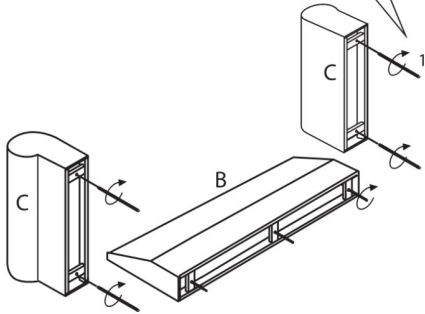
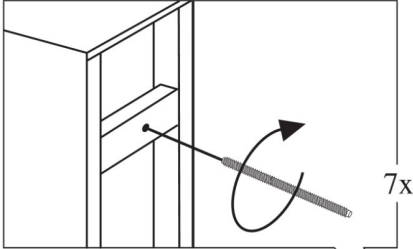
PLEASE REMOVE ALL PARTS FROM SEAT FRAMES AND SEAT BACKS BEFORE ASSEMBLY



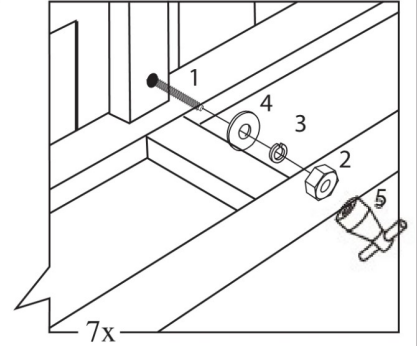
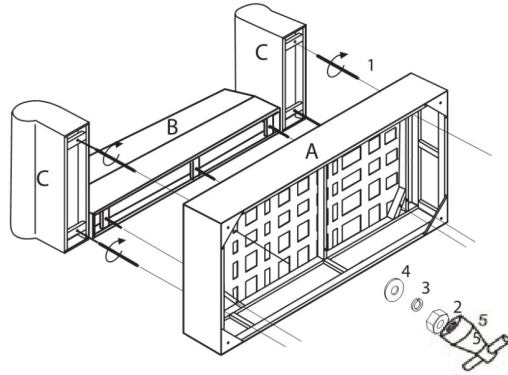
LOVESEAT ASSEMBLY INSTRUCTION-BOX 1

STEP 1 - INSERT THREADED RODS INTO SEAT BACKS & ARM

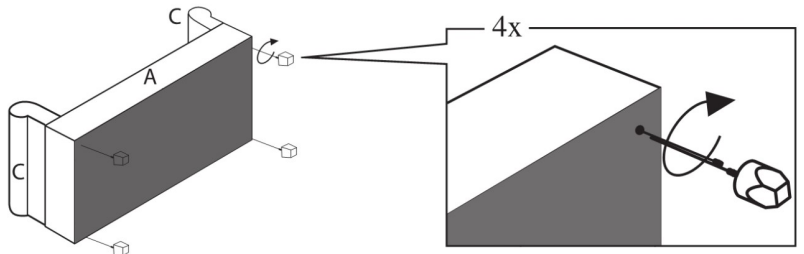
*Stop when the rod starts coming out on the other end



STEP 2 - MOUNT SEAT BACKS & ARMS INTO THE SEAT FRAME

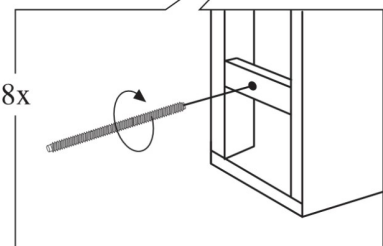
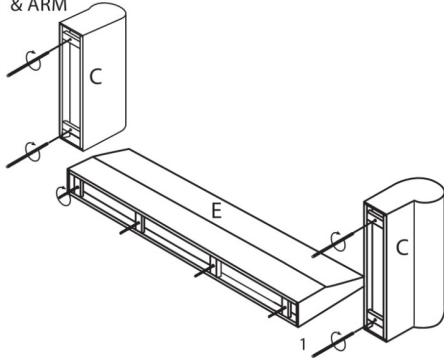


STEP 3 - PUT BACK THE FABRIC COVER AND INSERT LEGS



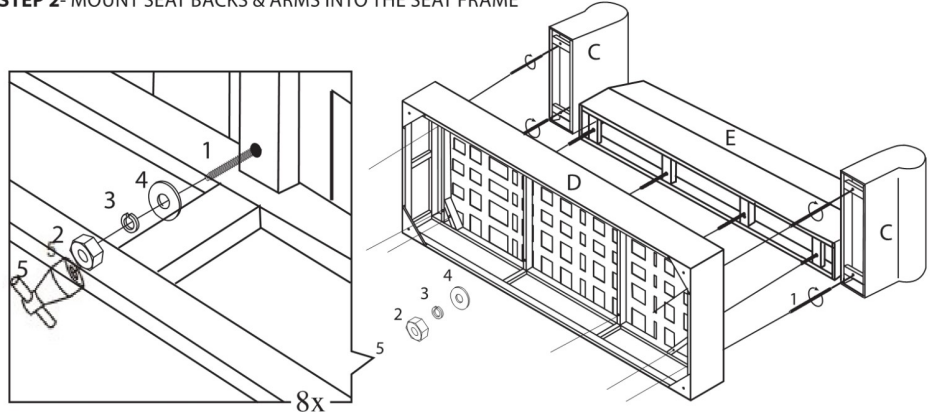
SOFA ASSEMBLY INSTRUCTION-BOX 2

STEP 1 - INSERT THREADED RODS INTO SEAT BACKS & ARM



*Stop when the rod starts coming out on the other end

STEP 2 - MOUNT SEAT BACKS & ARMS INTO THE SEAT FRAME



STEP 3 - PUT BACK THE FABRIC COVER AND INSERT LEGS

