

General Guidelines

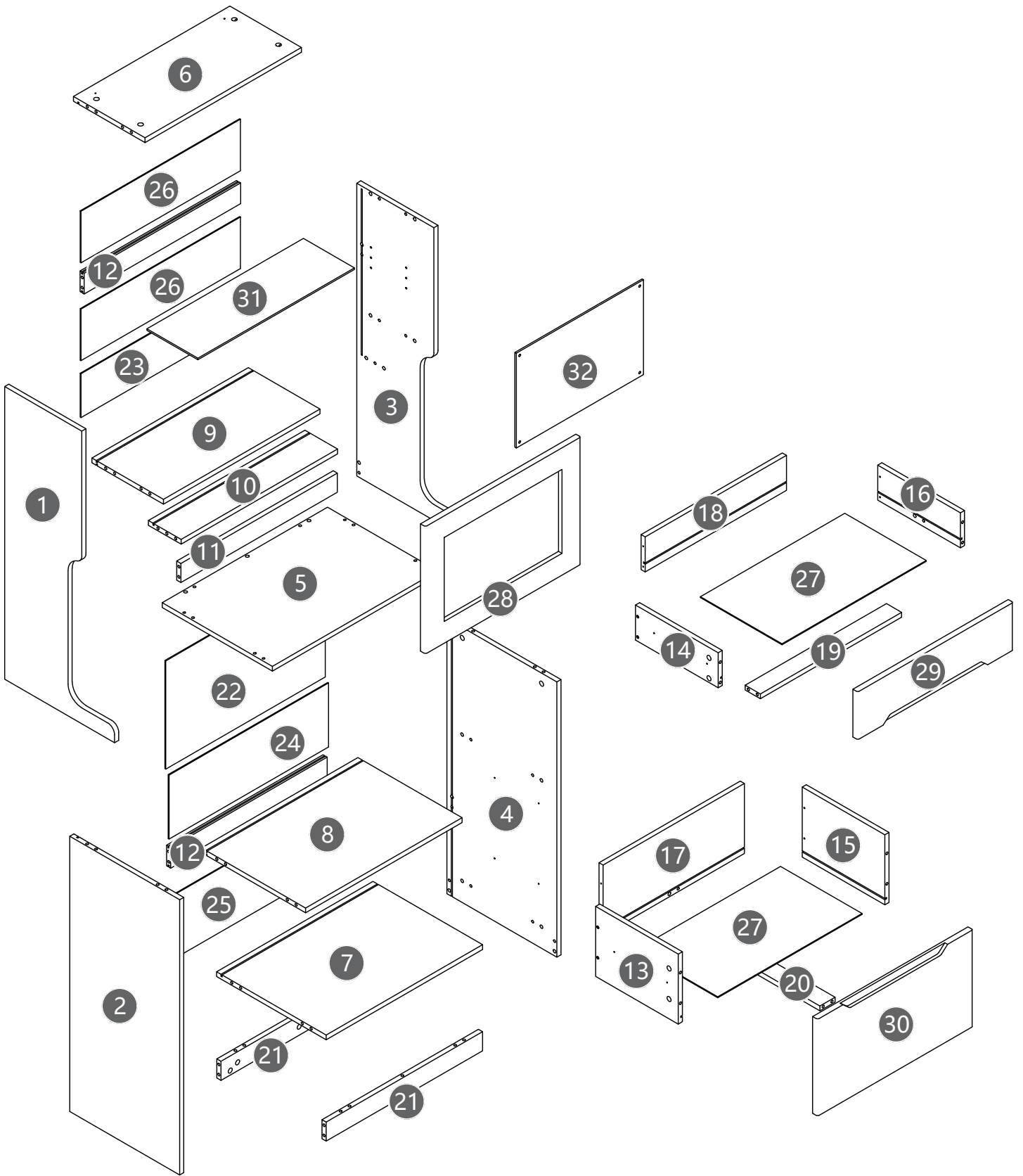
- Please read the following instruction carefully and use the product accordingly.
- Please keep this manual and hand it over when you transfer the product.
- Please check that you have all the listed components and tools, before you start assembling the item.
- Assemble the item as close to its final position(in the same room) as possible.

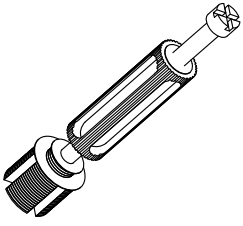
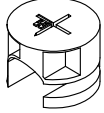
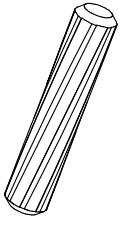
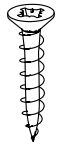
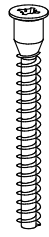
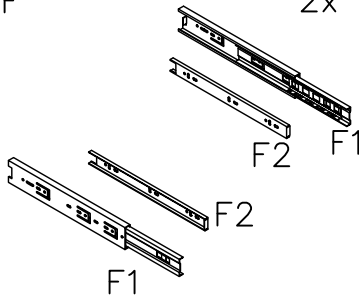
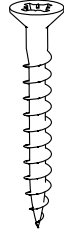
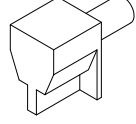
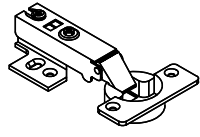
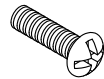
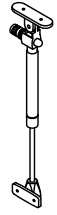
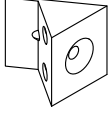
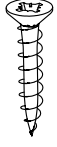
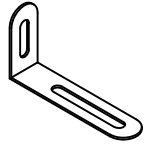
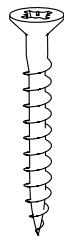
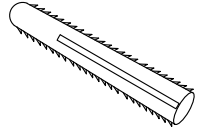
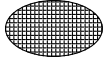
Care and Maintenance

- The product is intended for indoor use only. The product must be assembled and used in accordance with the provisions of the manual.
- Avoid long-term exposure to humid environments to prevent mildew.
- Keep the product away from fire sources and high temperatures. Do not expose the product to direct sunlight.
- Do not place any hot objects on the surface of the product.

Warning

- Keep children and animals away from the work area, small parts could choke if swallowed.
- Children are not allowed to climb or stand on the product to avoid personal injury caused by the product tilting or tipping over.
- Please do not use the product if there is/are defective and/or missing part/s, as this can result in damage or injury.
- To avoid the potential dangers of suffocation, please keep all parts and packaging (film, plastic bags, foam, etc.) away from babies and children.



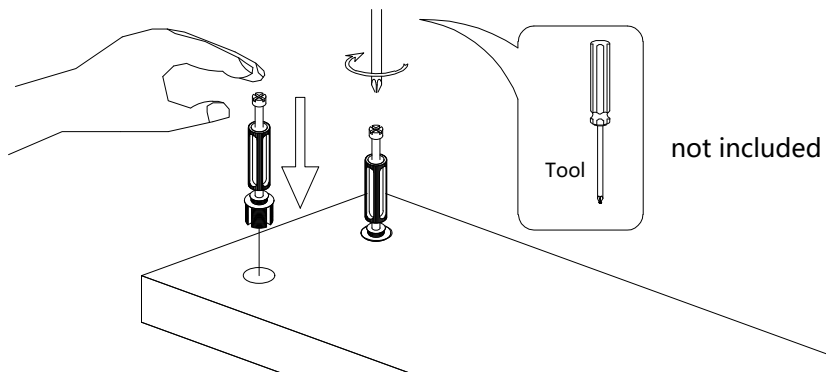
| | | | |
|---|--|---|---|
| <p>A 55x</p>  | <p>B 55x</p>  | <p>C 46x</p>  <p>M8x40mm</p> | <p>D 34x</p>  <p>M3.5x14mm</p> |
| <p>E 4x</p>  <p>M7x50mm</p> | <p>F 2x</p>  <p>F1 F2</p> | <p>G 8x</p>  <p>M3.5x35mm</p> | <p>H 4x</p>  |
| <p>I 2x</p>  | <p>J 4x</p>  <p>M6x12mm</p> | <p>K 1x</p>  | <p>L 26x</p>  |
| <p>M 26x</p>  <p>M3x12mm</p> | <p>N 2x</p>  | <p>O 2x</p>  <p>M4x50mm</p> | <p>P 2x</p>  |
| <p>Q 12x</p>  | | | |



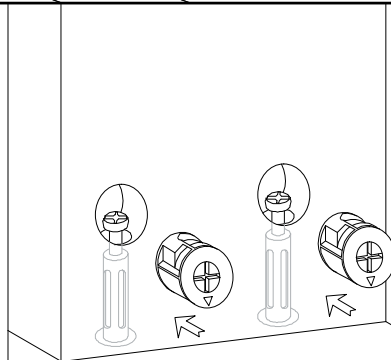
Hardware installation demonstration

NOTE: Please make sure "A" hardware tightened and can't be pulled out!

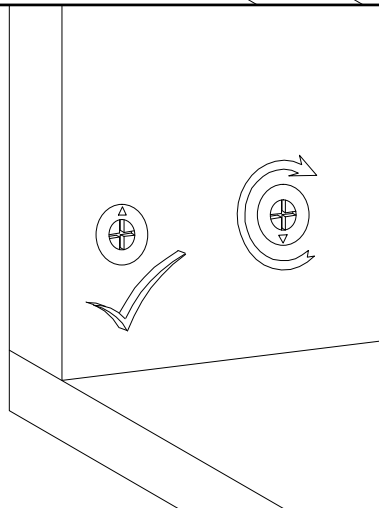
I



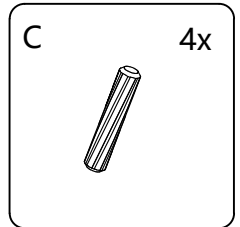
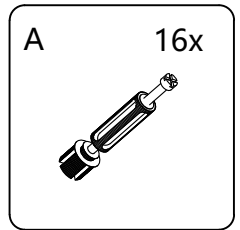
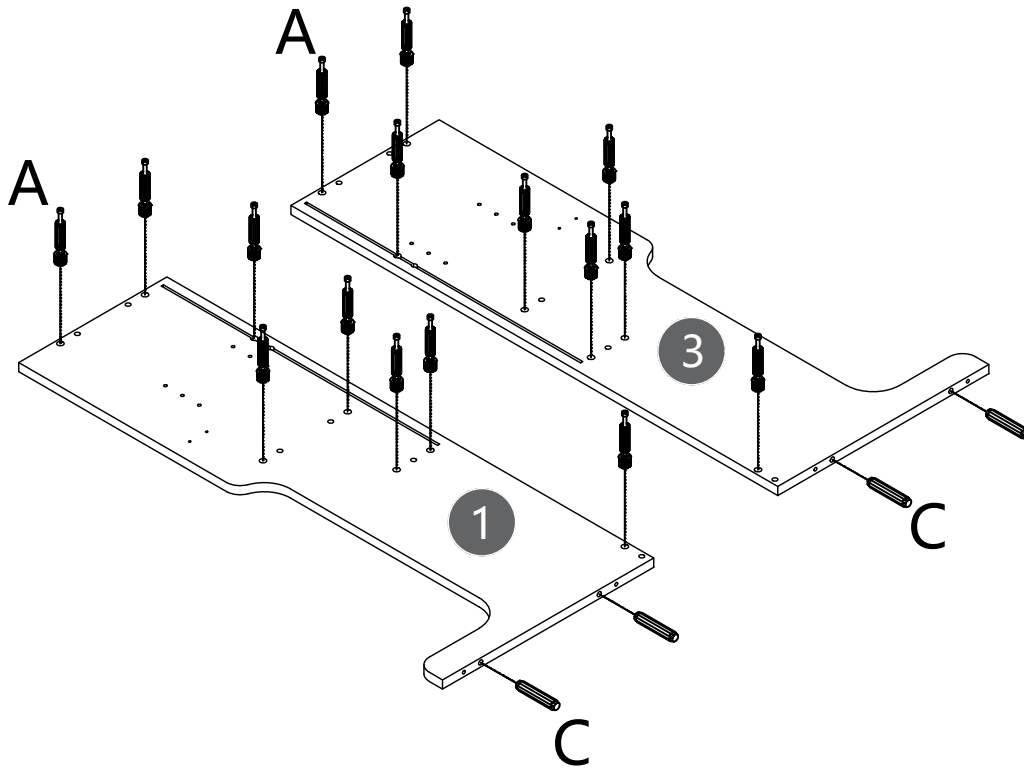
II



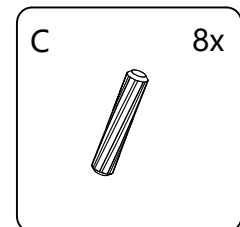
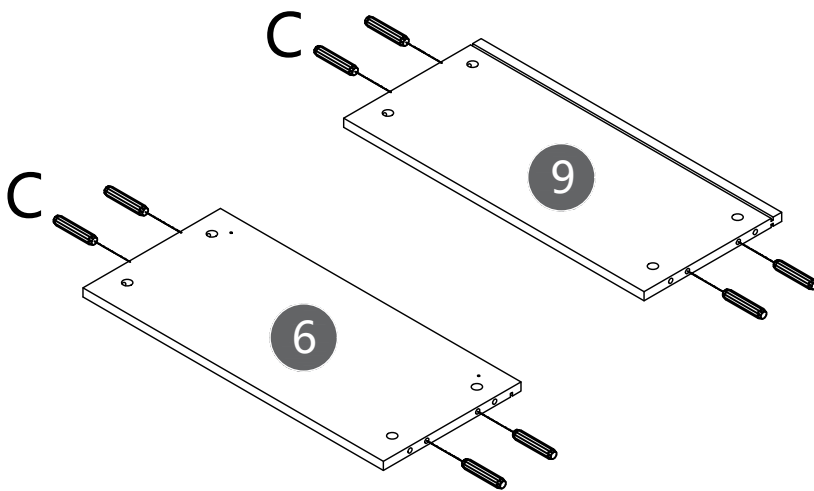
III



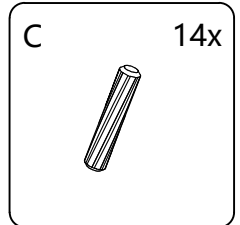
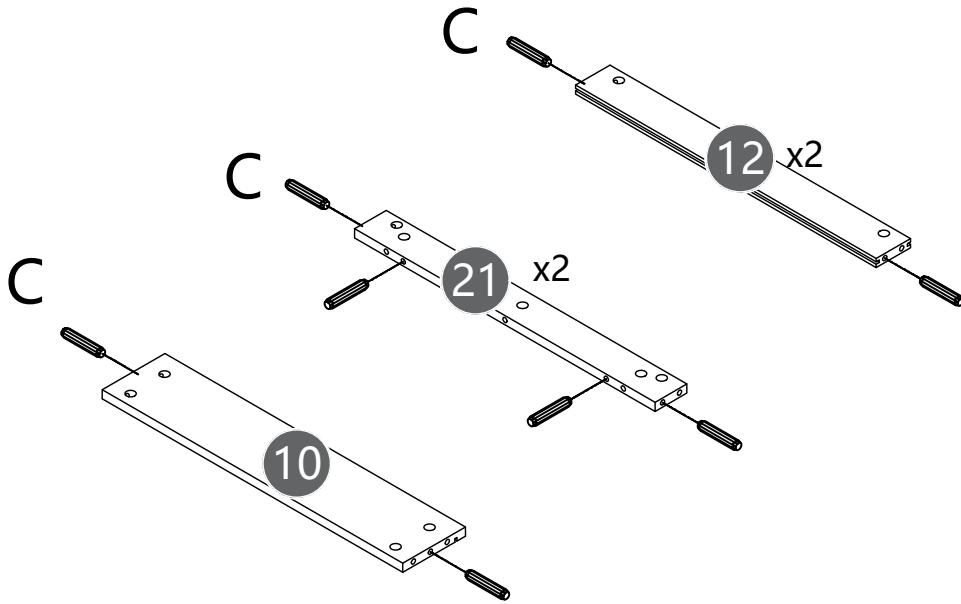
01



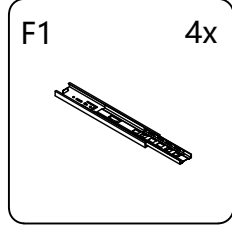
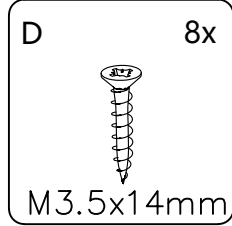
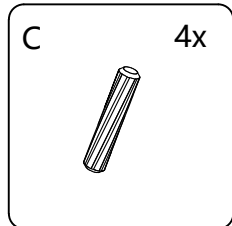
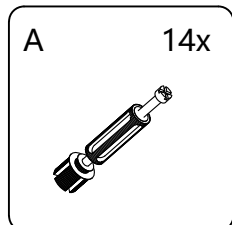
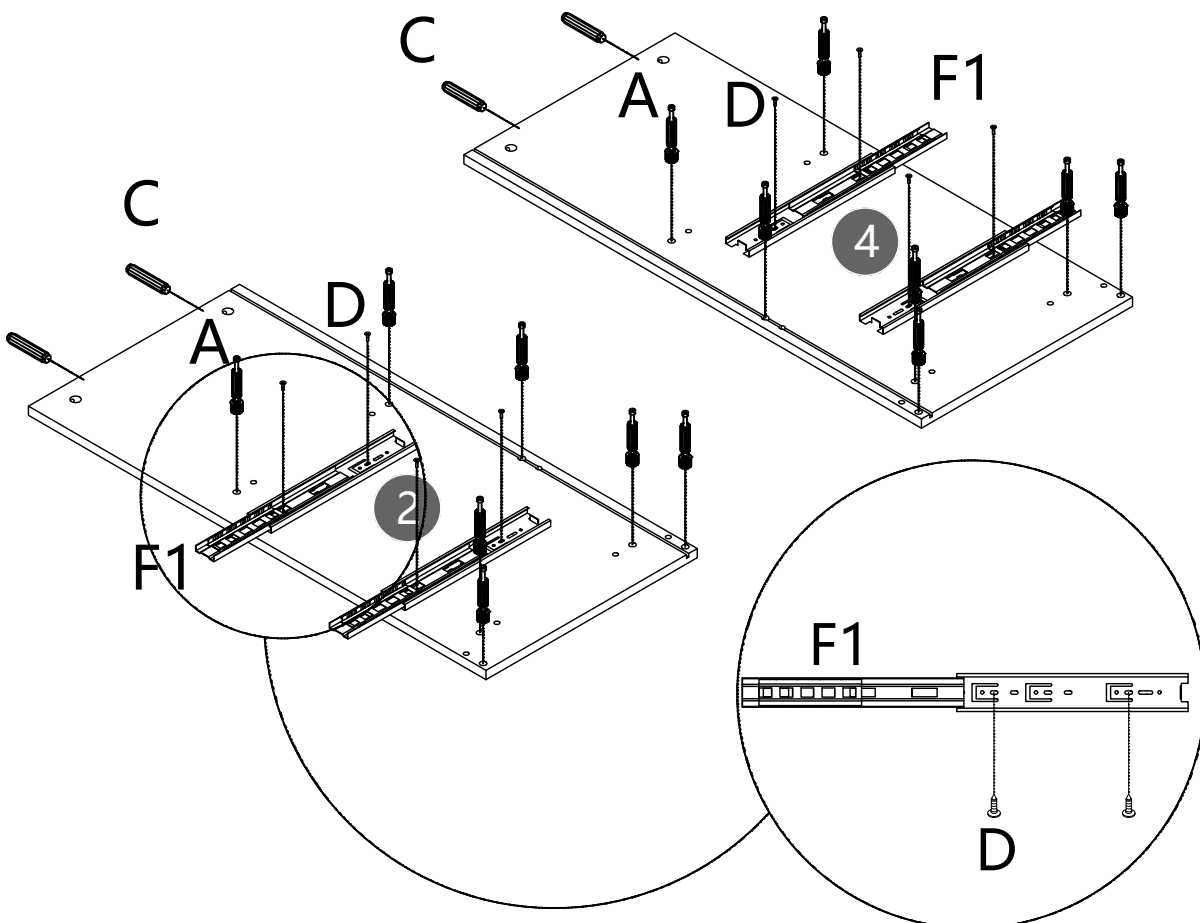
02



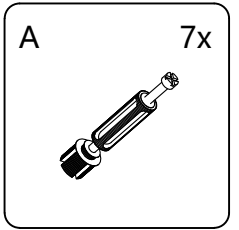
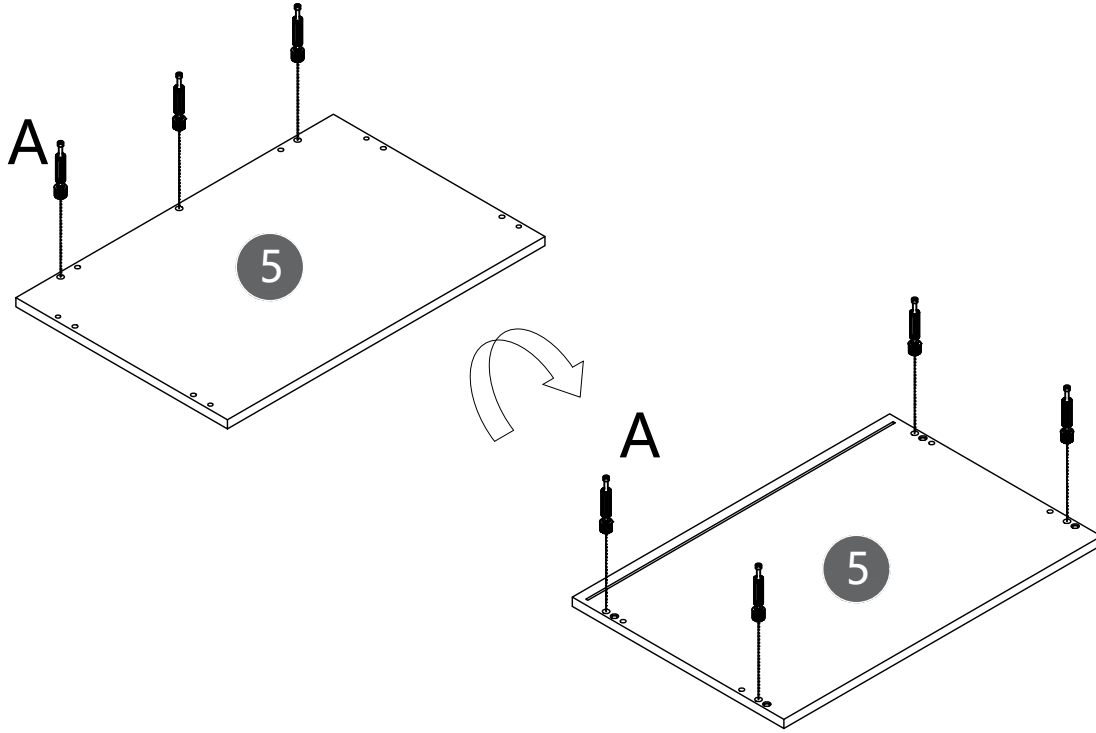
03



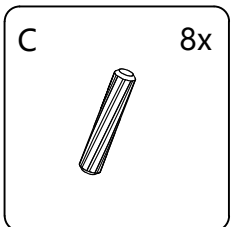
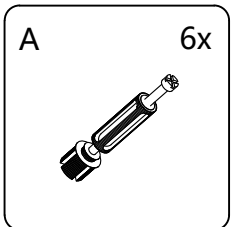
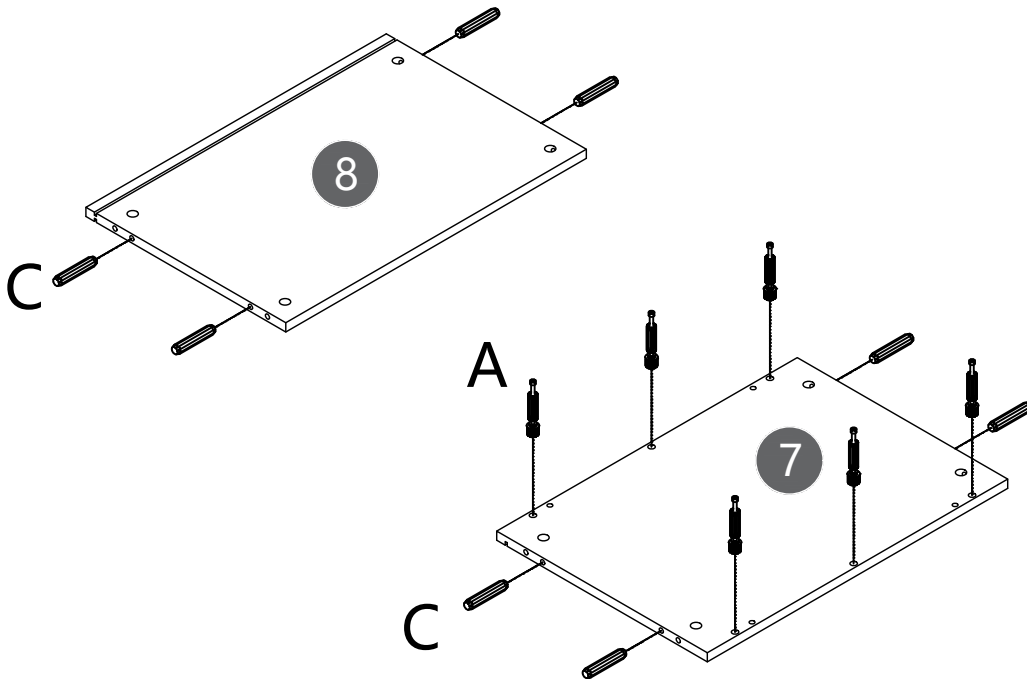
04



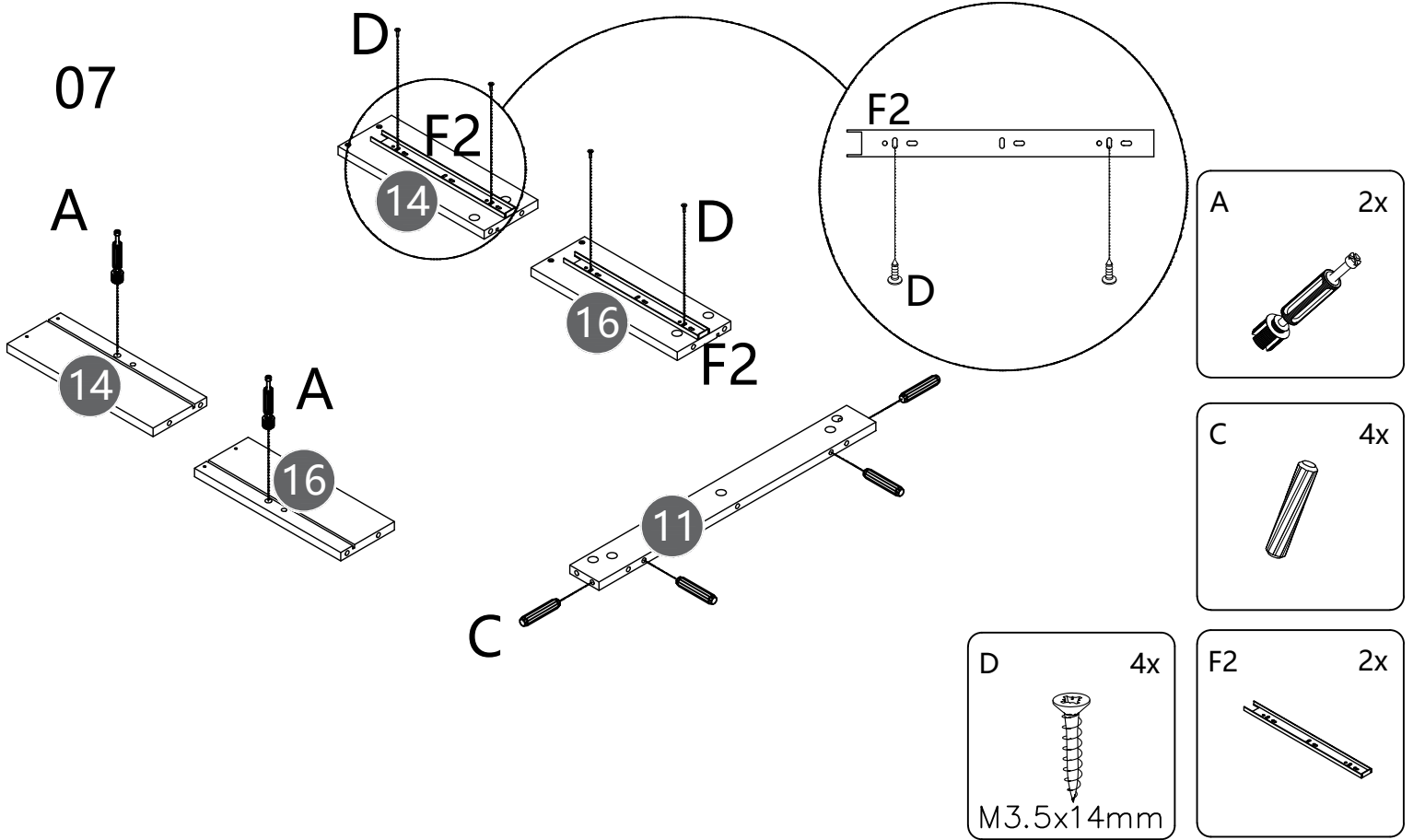
05



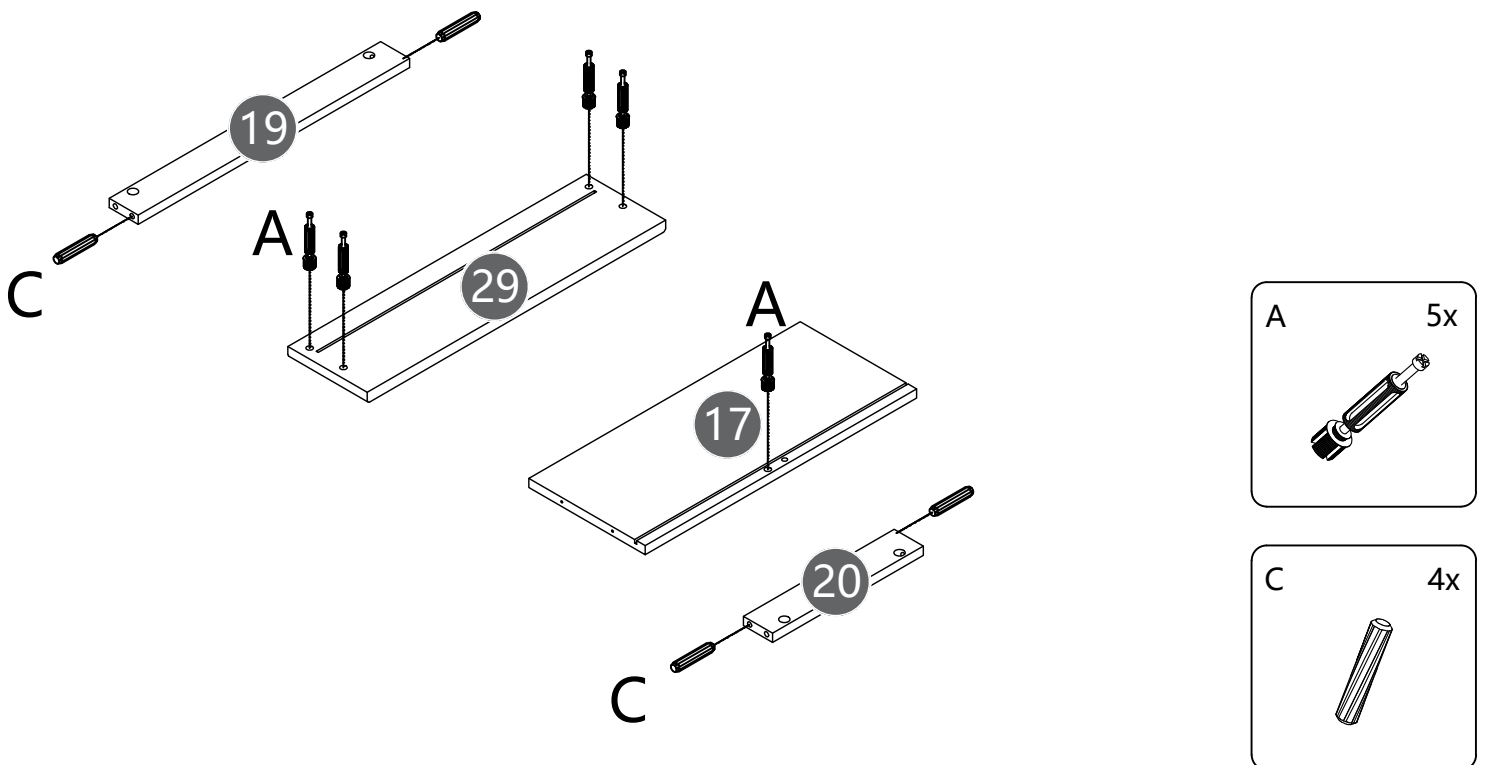
06



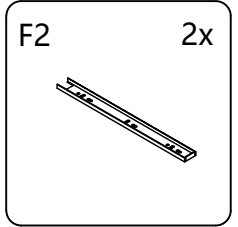
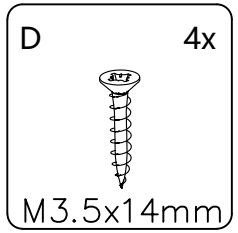
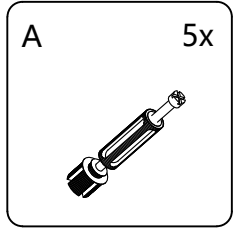
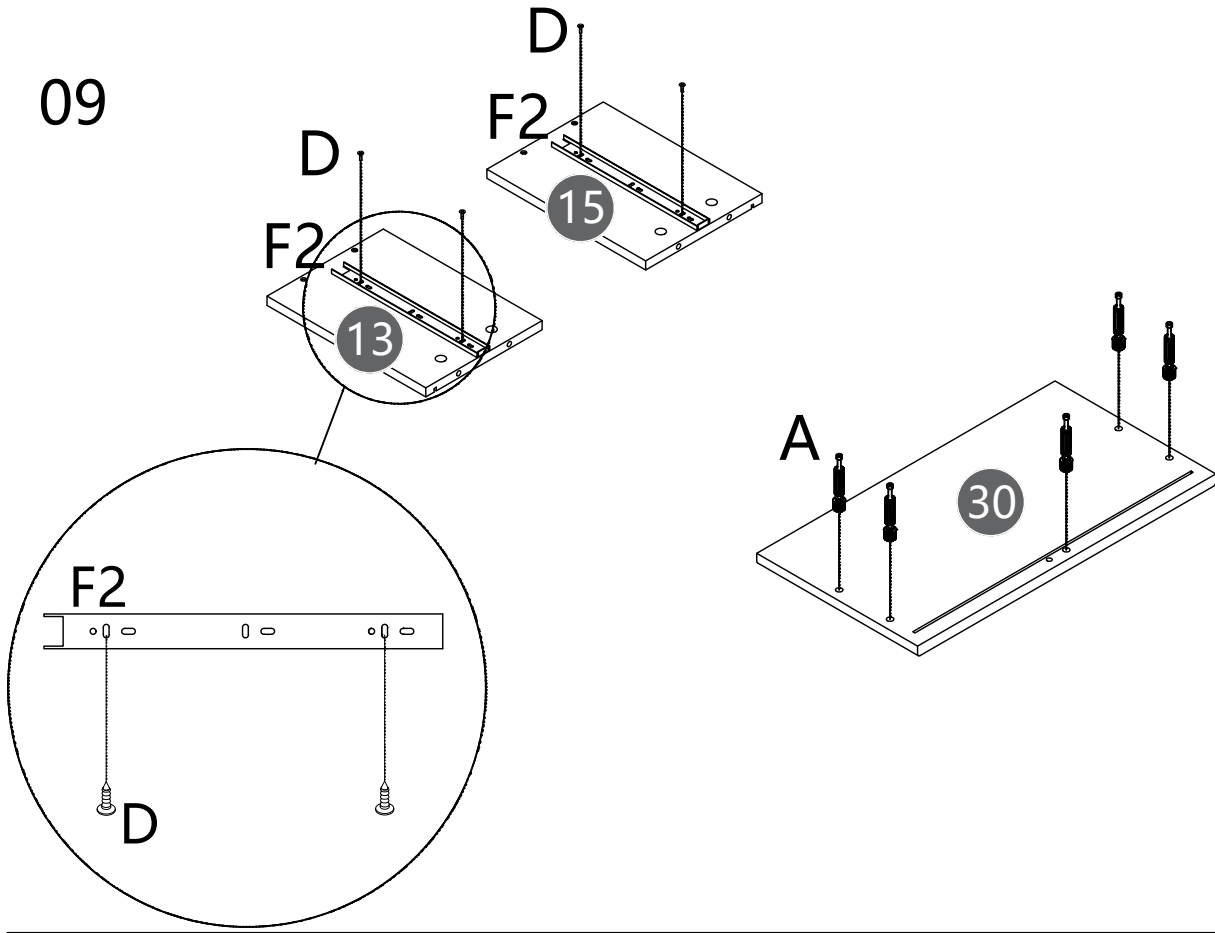
07



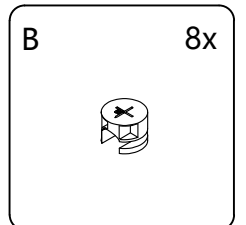
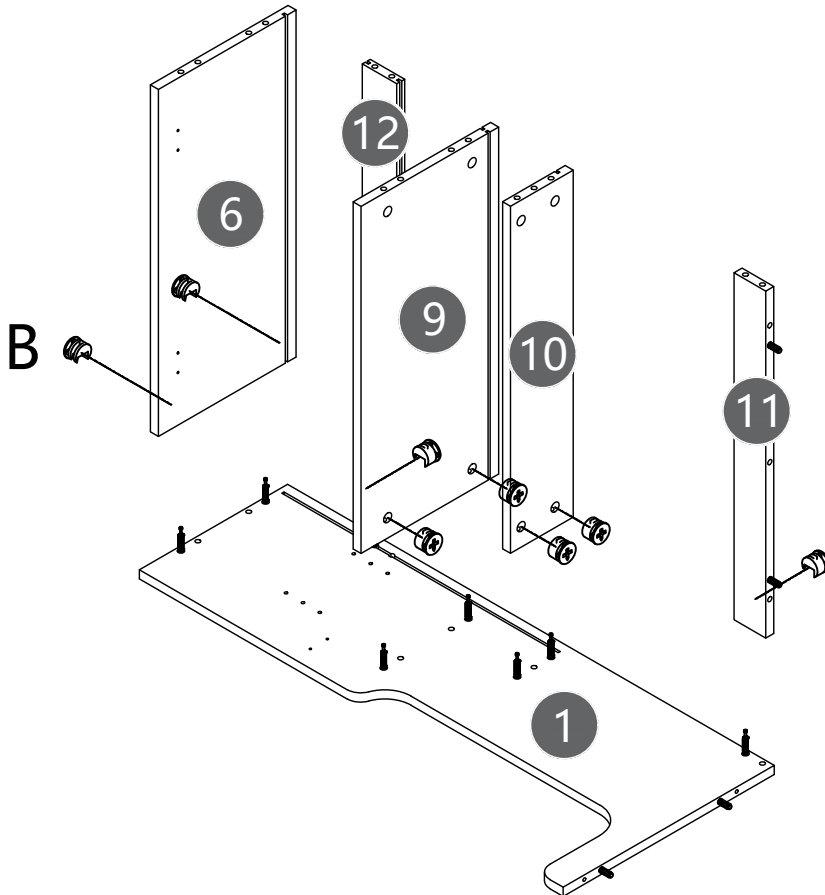
08



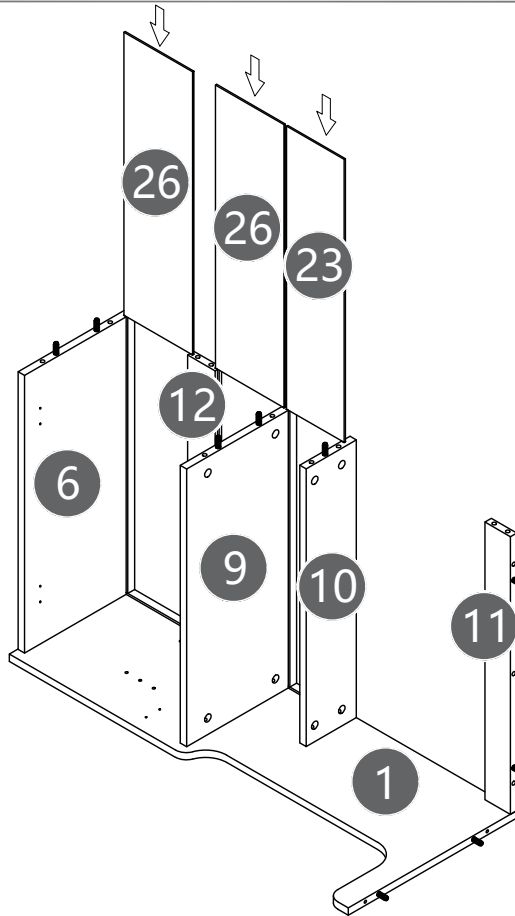
09



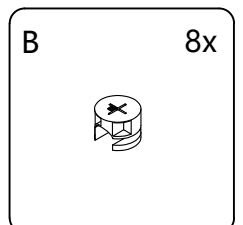
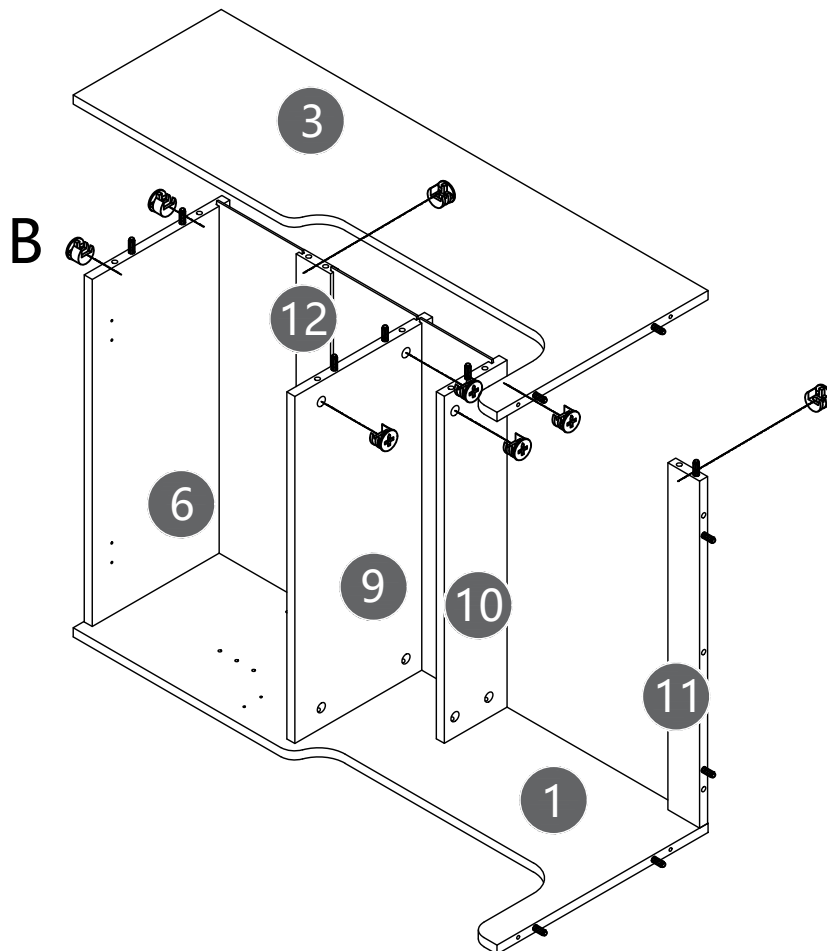
10



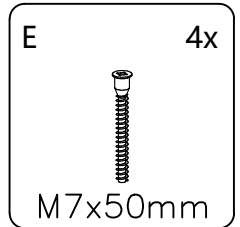
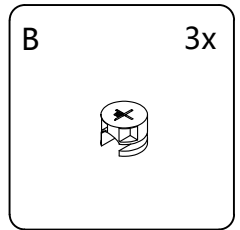
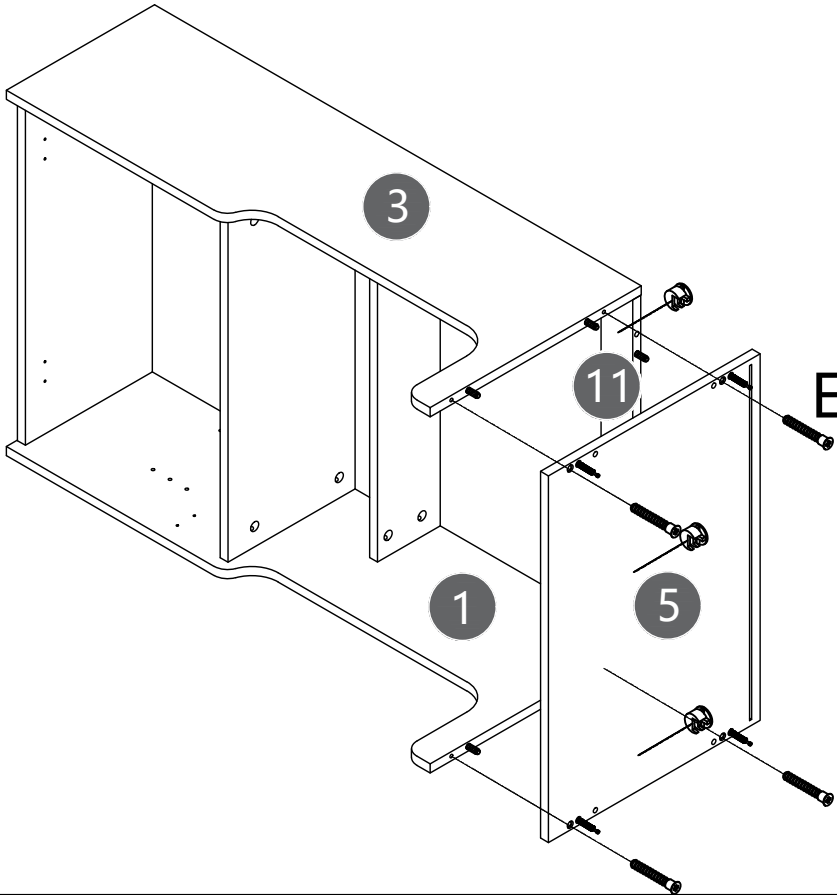
11



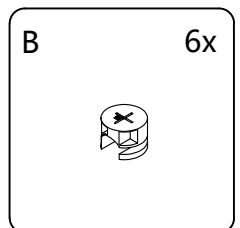
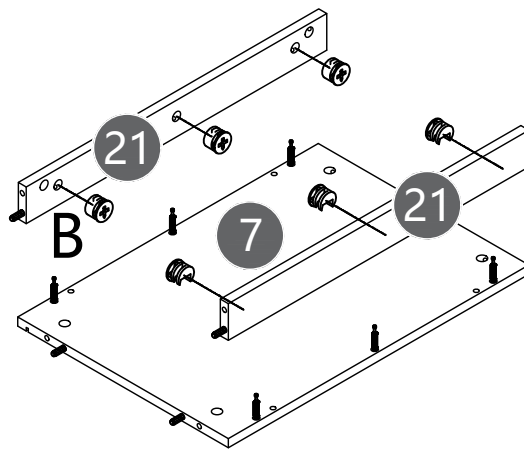
12



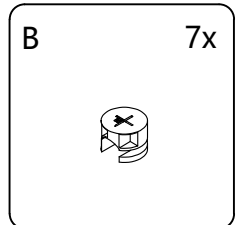
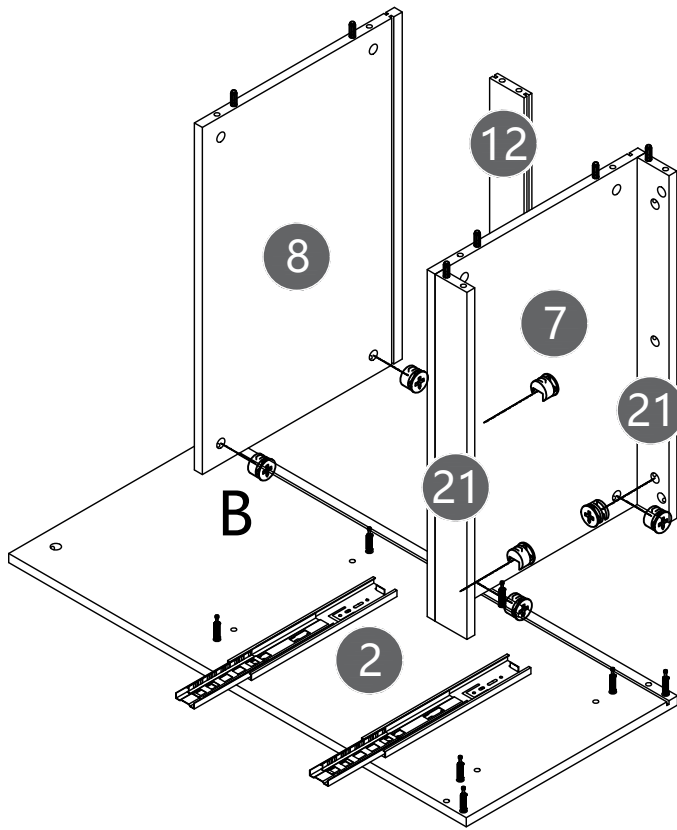
13



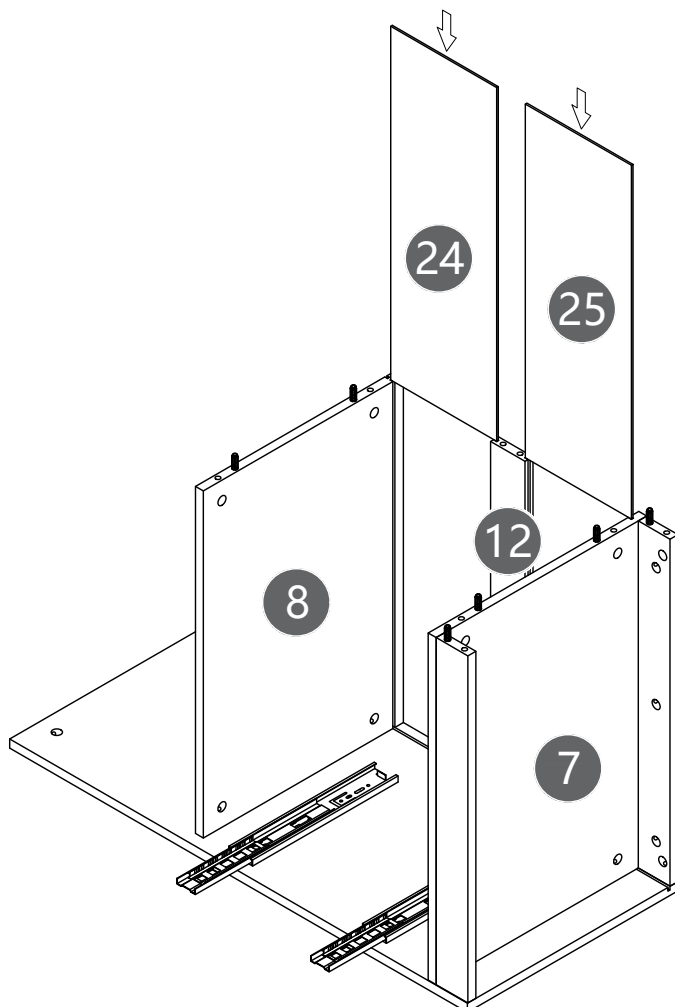
14



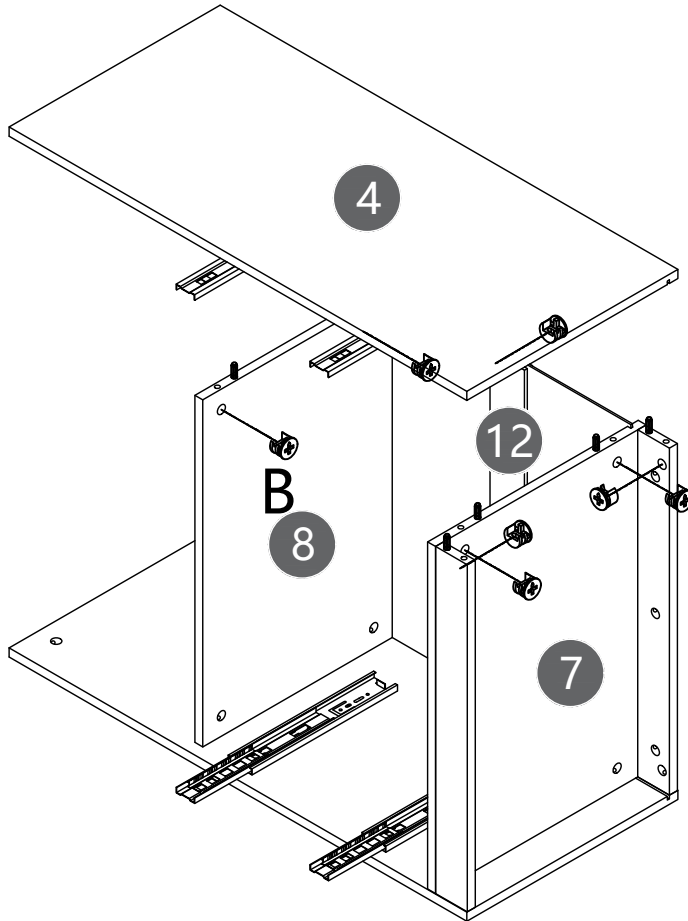
15



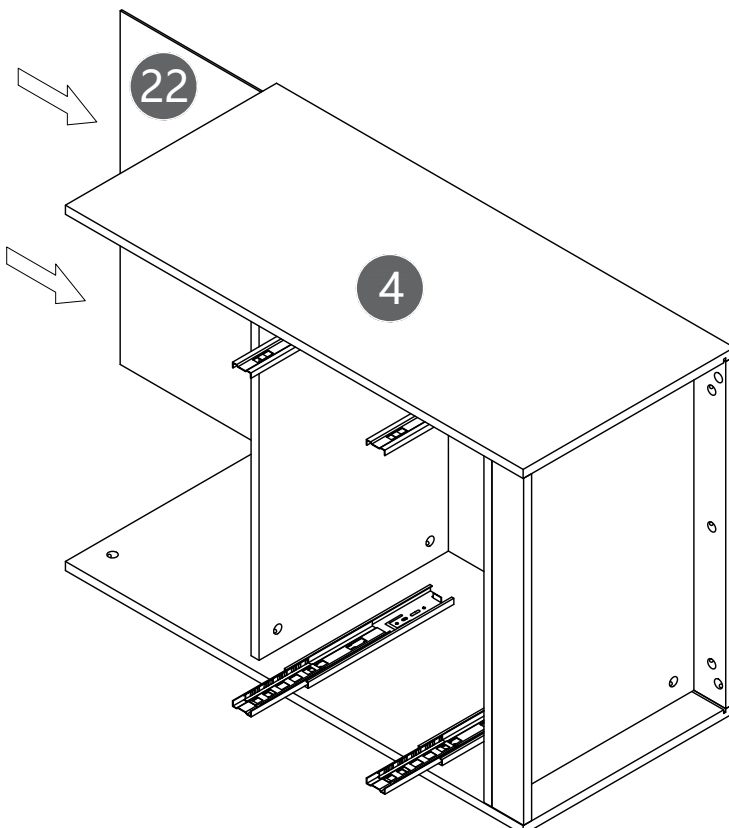
16



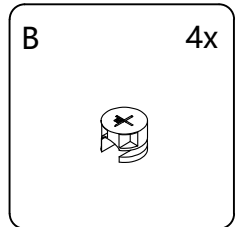
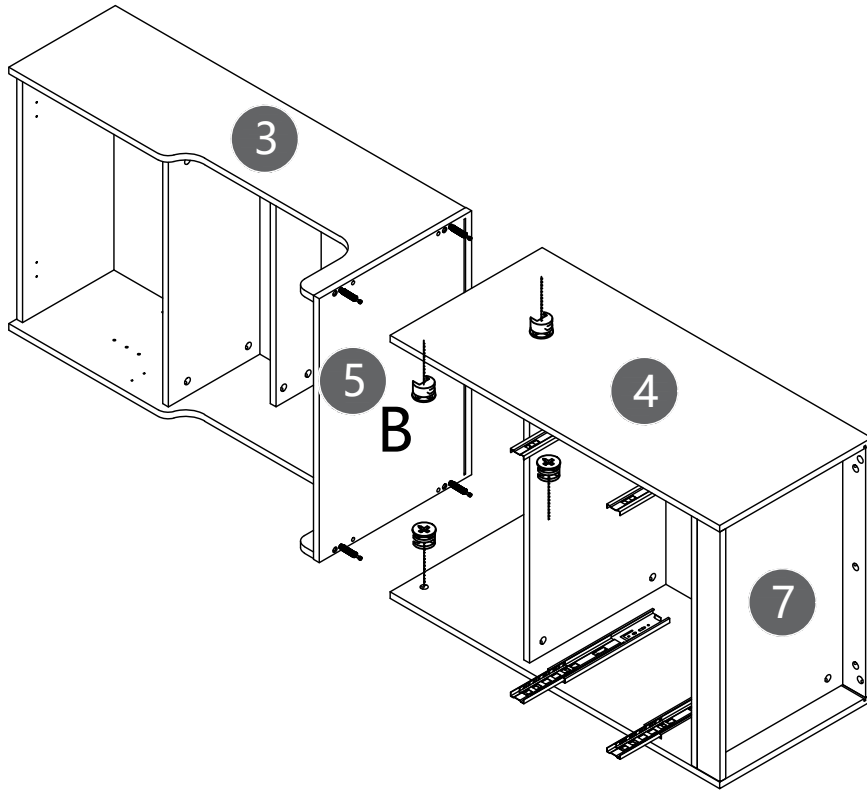
17



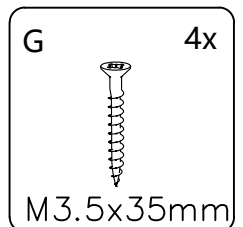
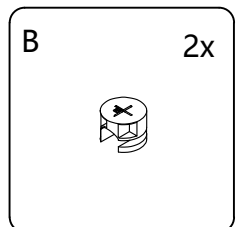
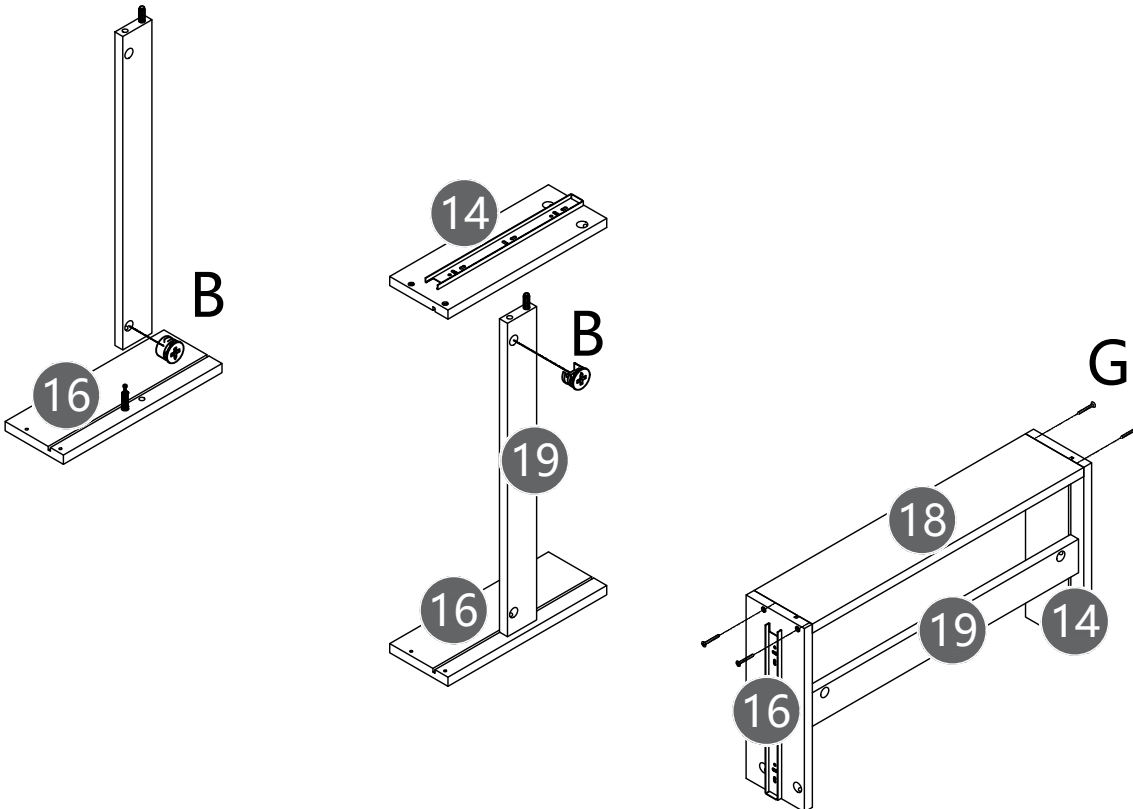
18



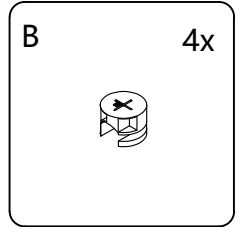
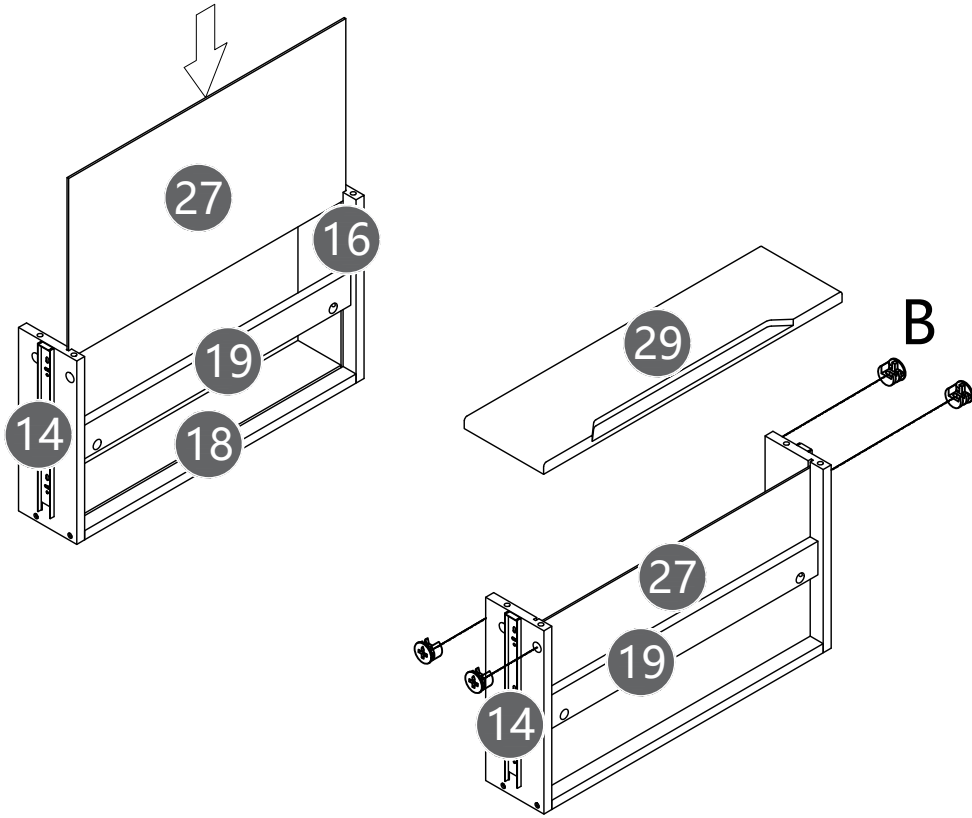
19



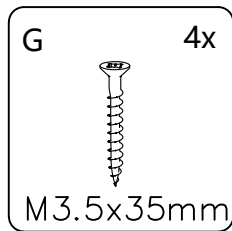
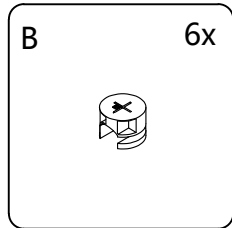
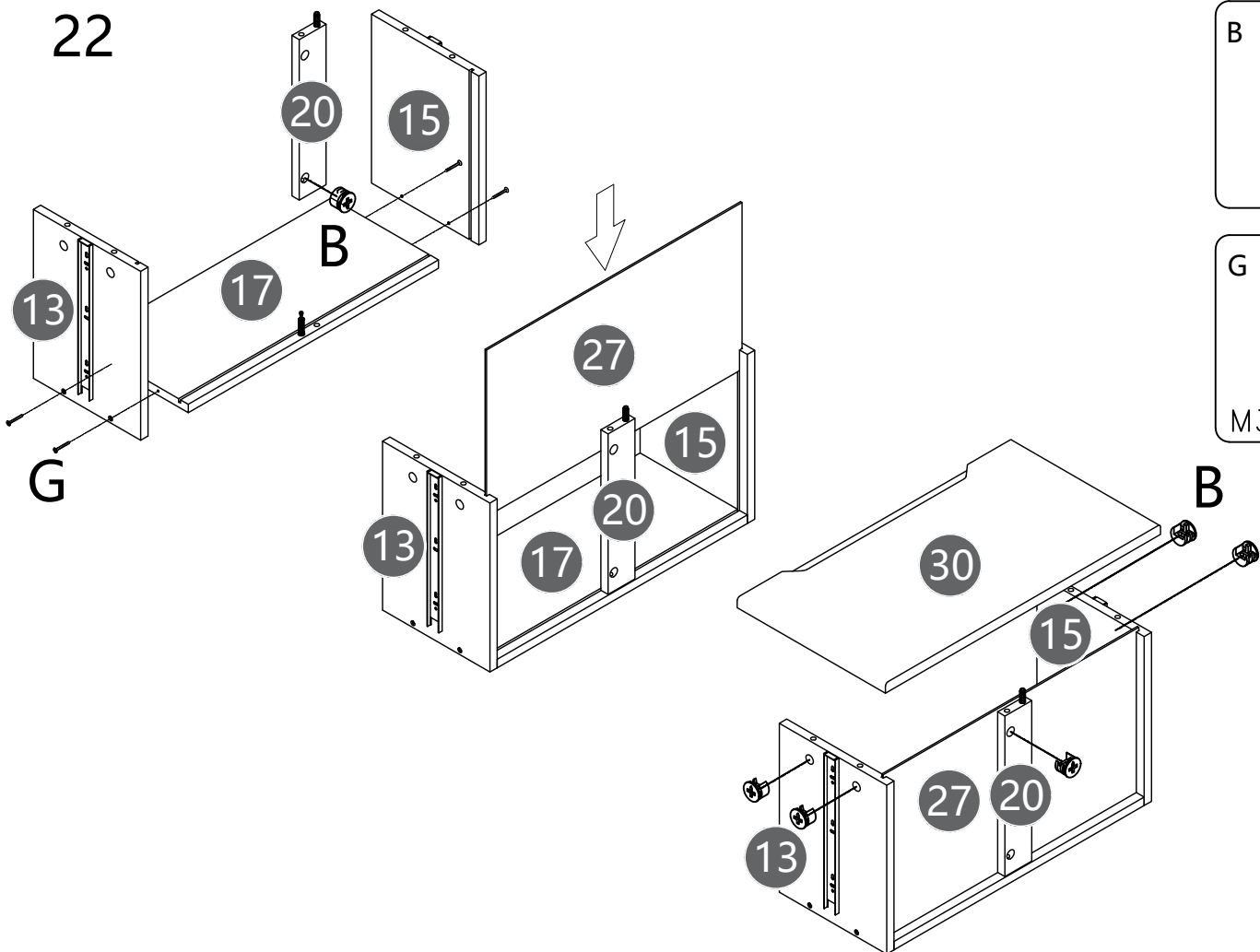
20



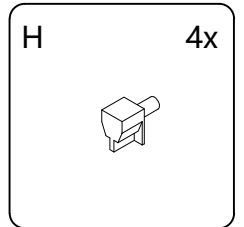
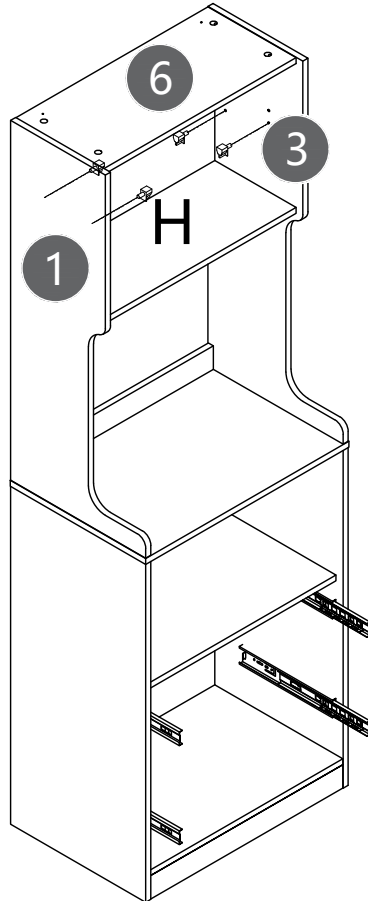
21



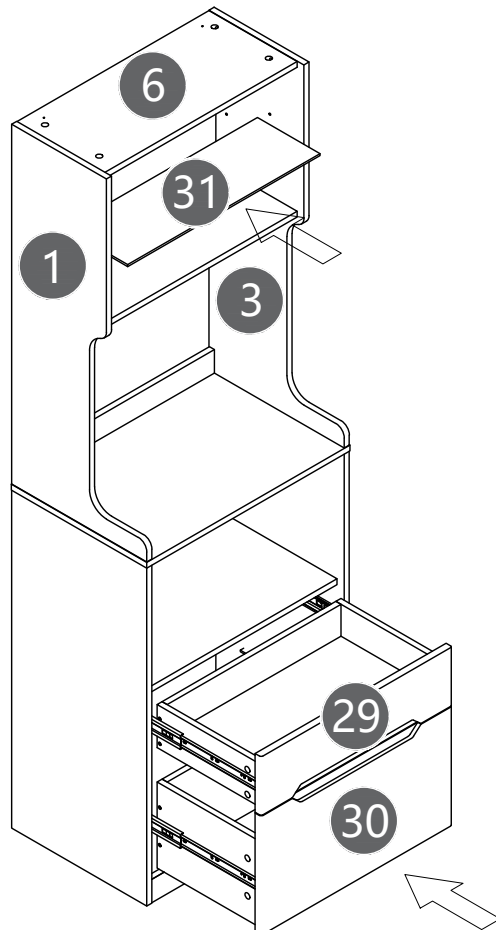
22



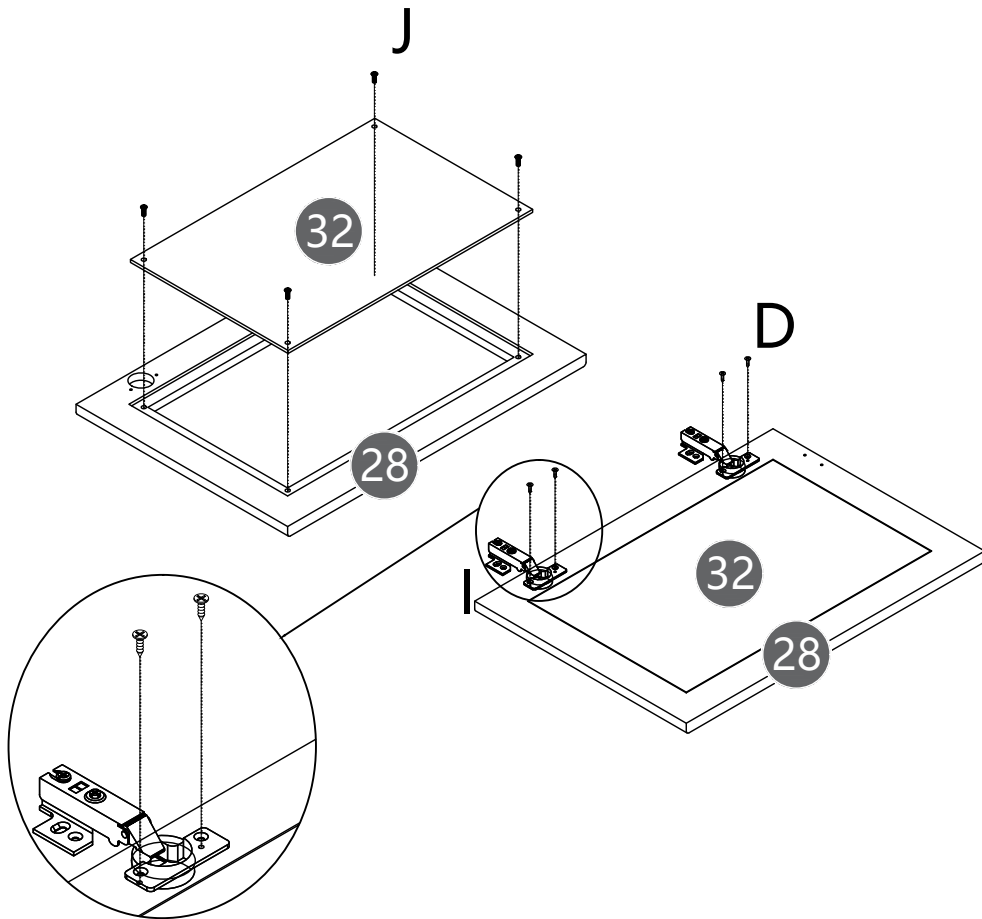
23



24



25

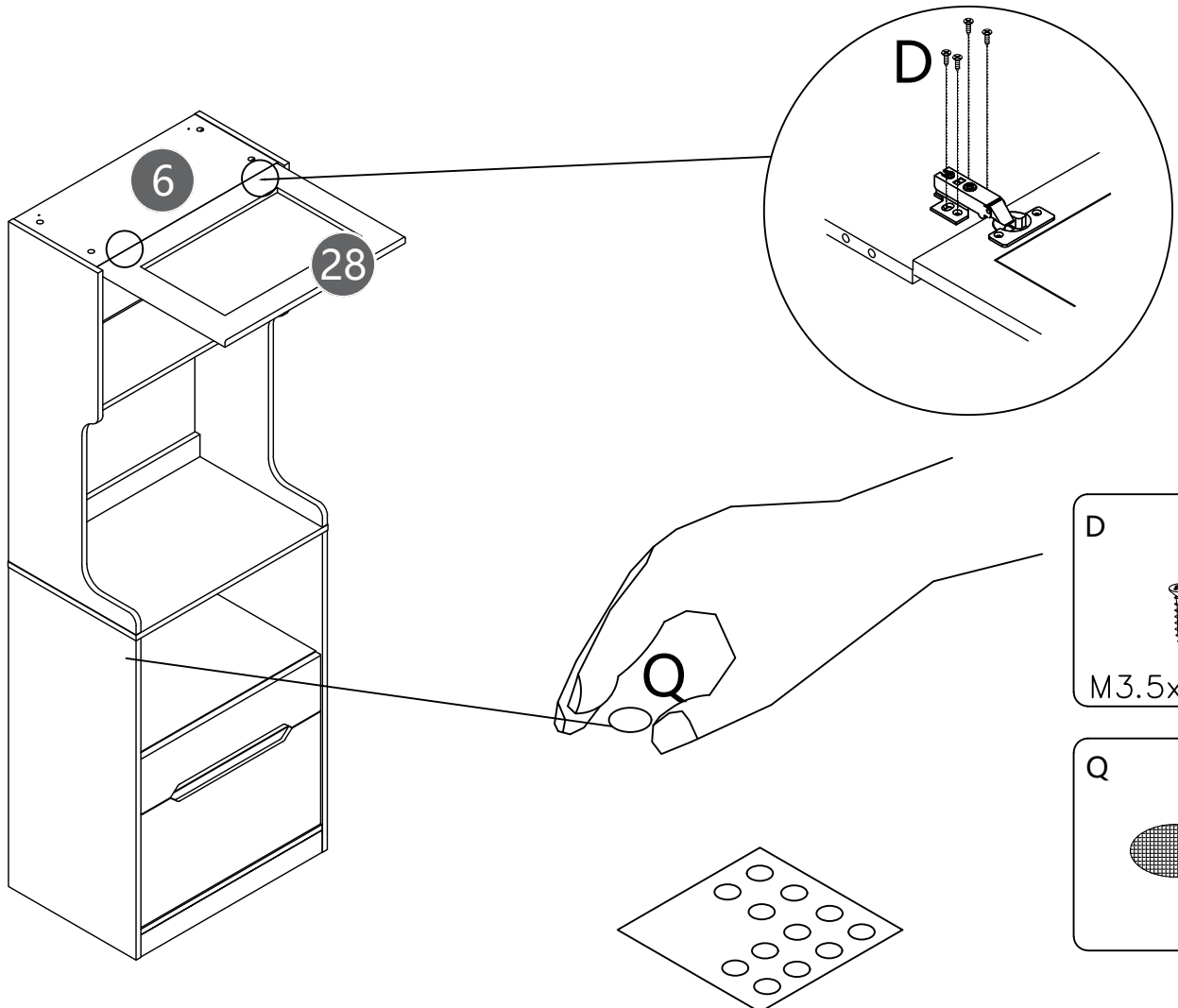


D 4x
M3.5x14mm

I 2x

J 4x
M6x12mm

26

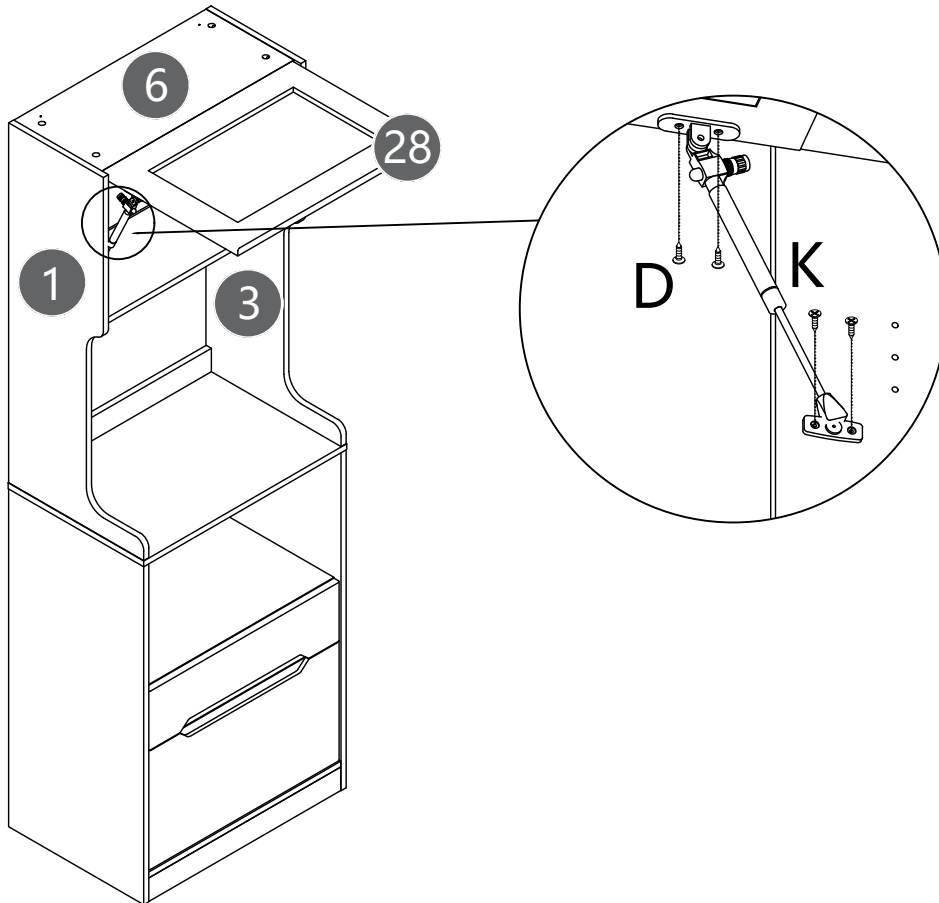


X2

D 8x
M3.5x14mm

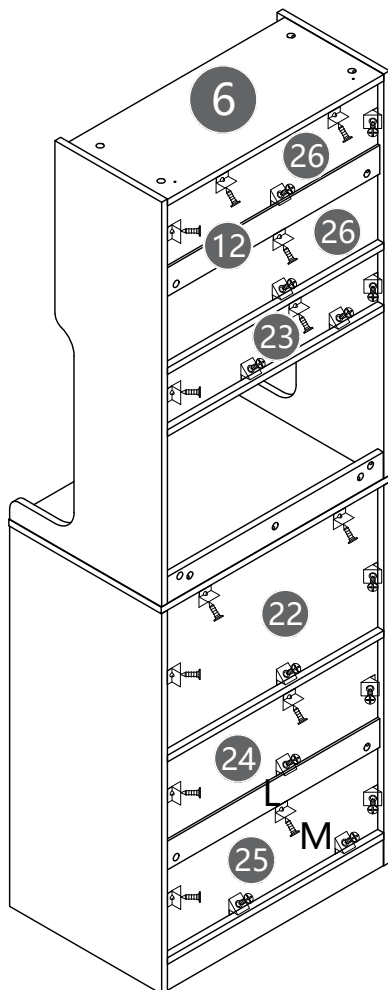
Q 12x

27



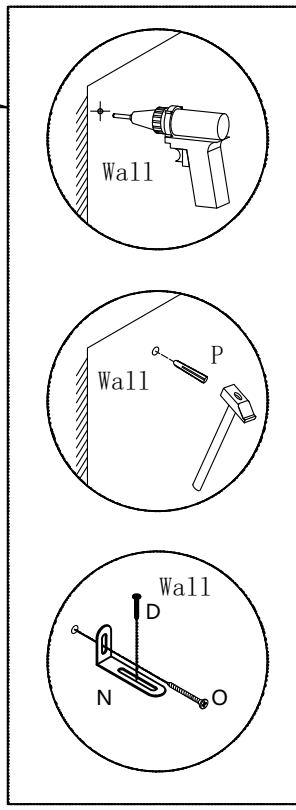
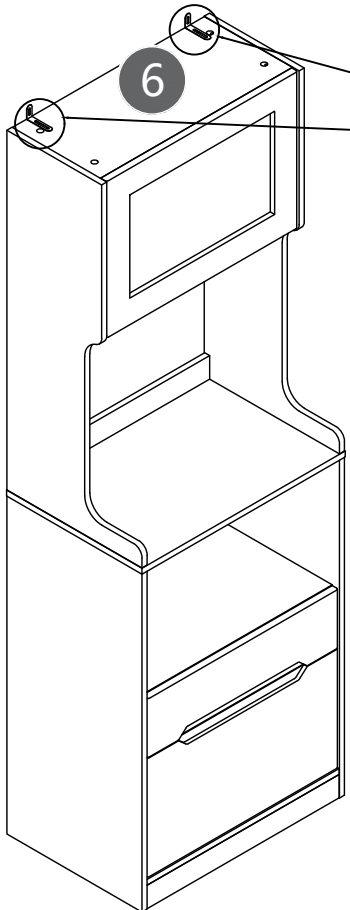
- D 4x
M3.5x14mm
- K 1x

28




- L 26x
- M 26x
M3x12mm

29

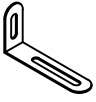



x2

- D 2x

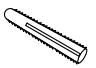


M3.5x14mm
- N 2x


- O 2x



M4x50mm
- P 2x



30

