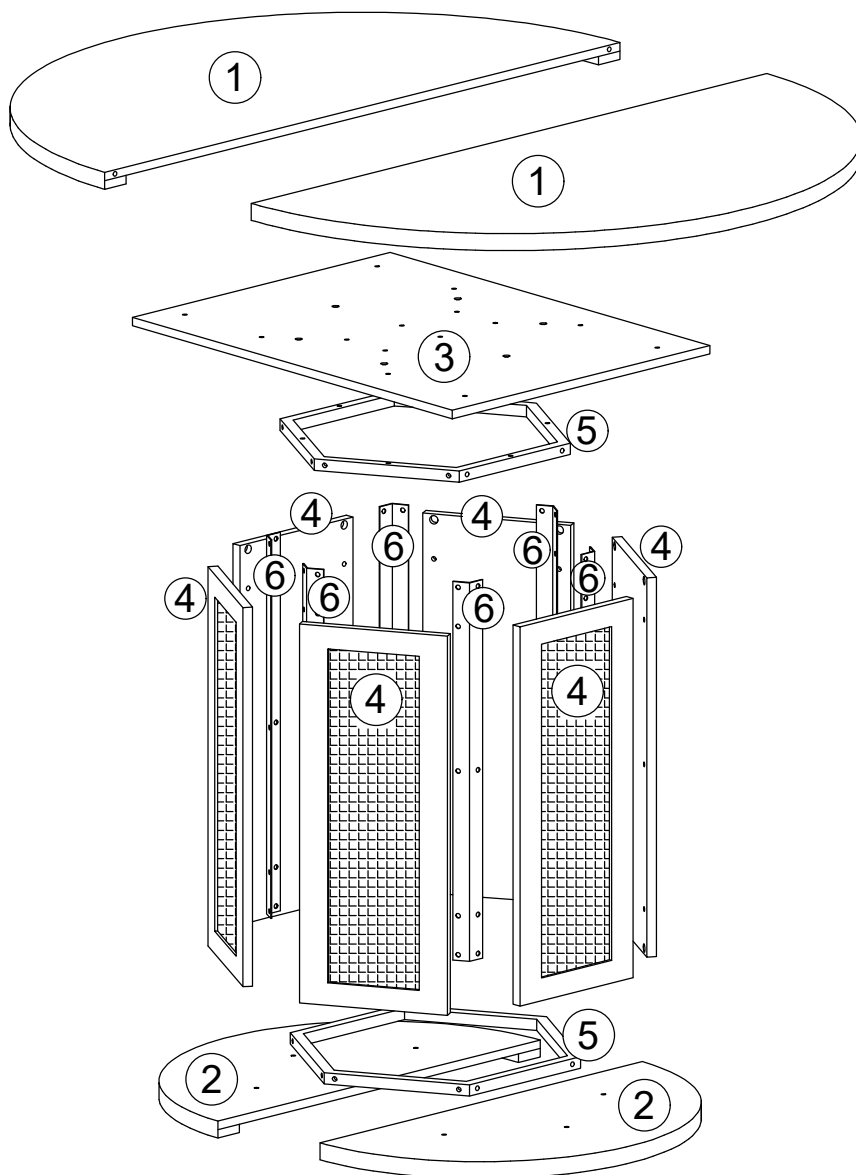
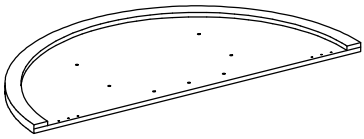
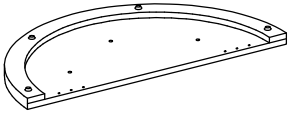
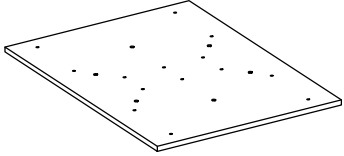
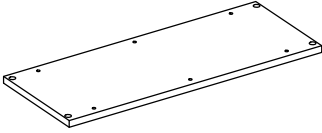
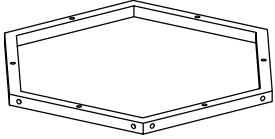
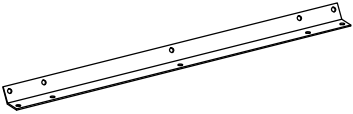
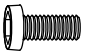


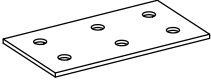

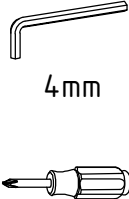
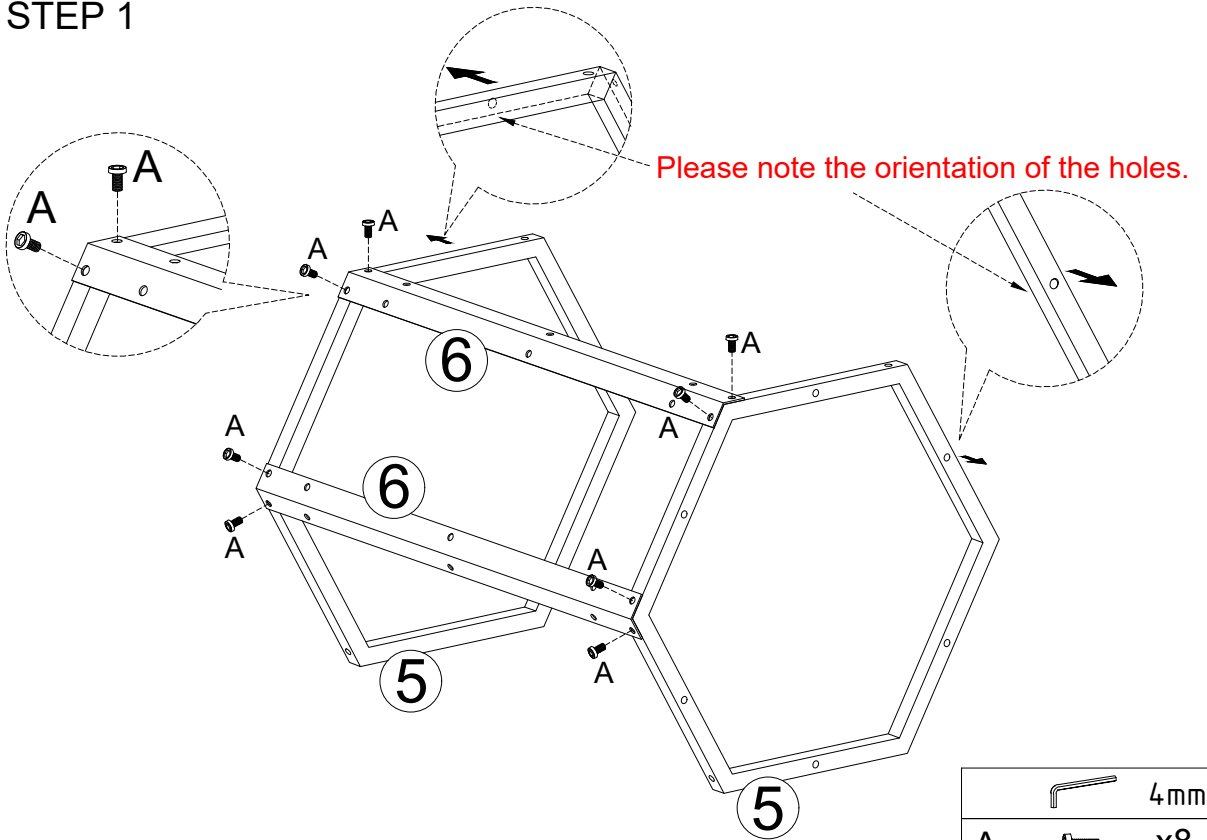


"IMPORTANT, RETAIN FOR FUTURE REFERENCE: READ CAREFULLY"

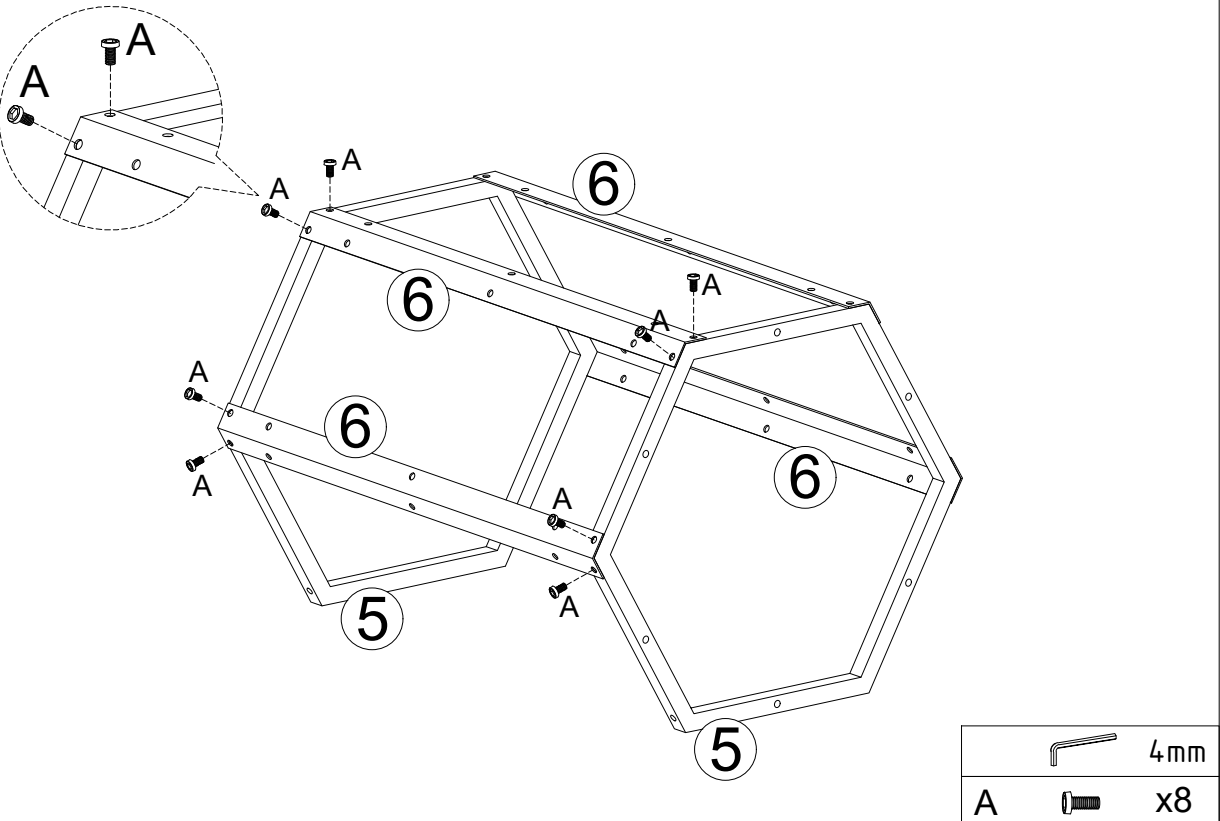


<p>① x2</p> 	<p>② x2</p> 	<p>③ x1</p> 
<p>④ x6</p> 	<p>⑤ x2</p> 	<p>⑥ x6</p> 
<p>A x60+4</p>  <p>M6x10</p>	<p>B x26+2</p>  <p>M6x25</p>	<p>C x2+1</p>  <p>φ8x40</p>
<p>D x4</p> 	<p>E x24+2</p>  <p>φ3x12</p>	<p>TOOL</p>  <p>4mm</p>

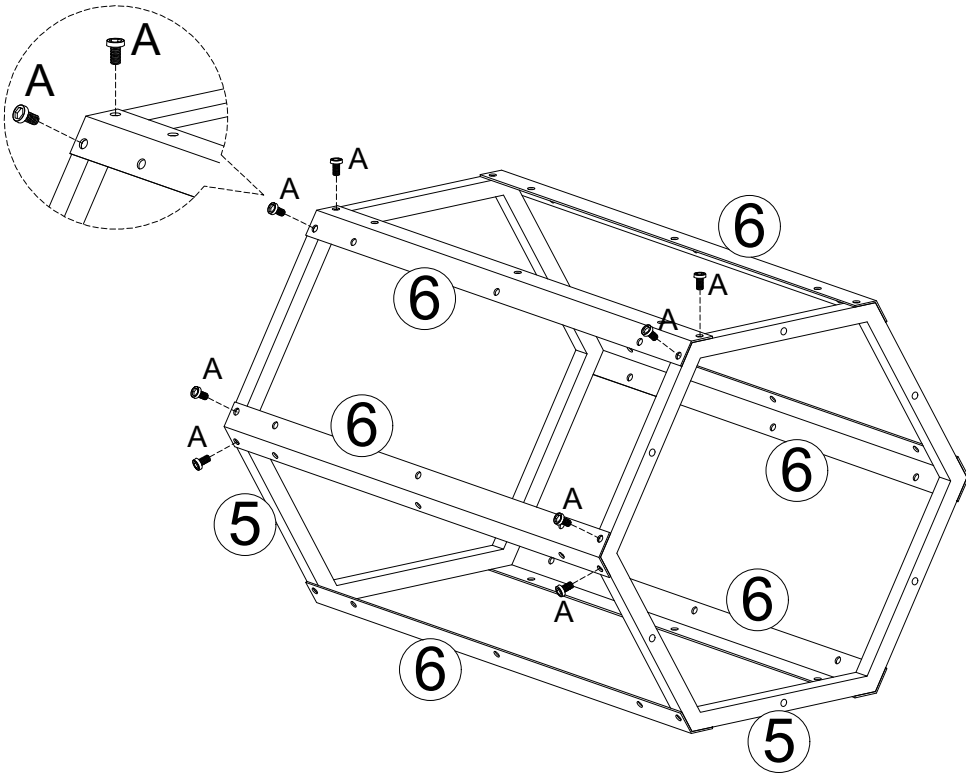
# STEP 1





# STEP 2

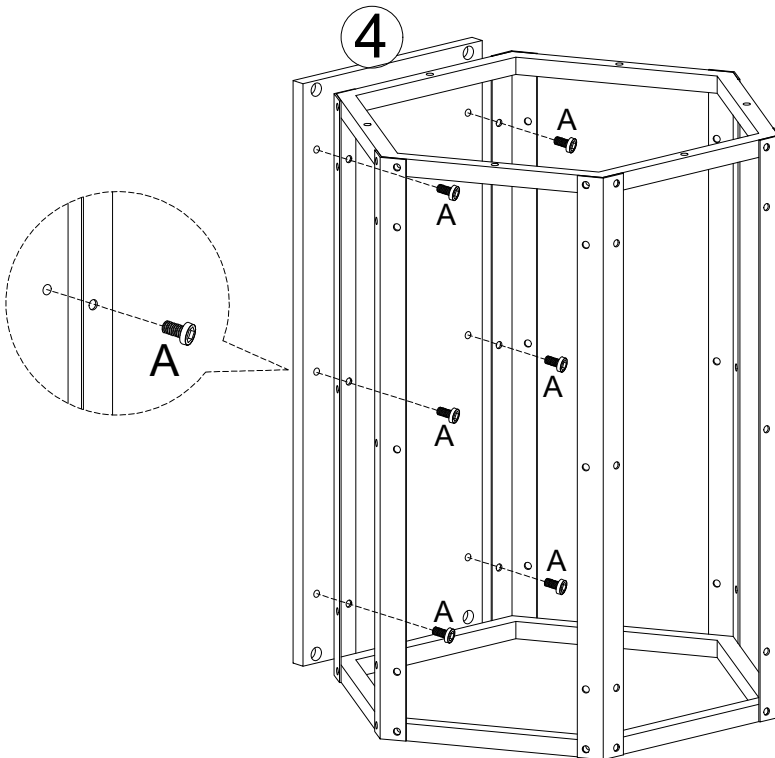




### STEP 3



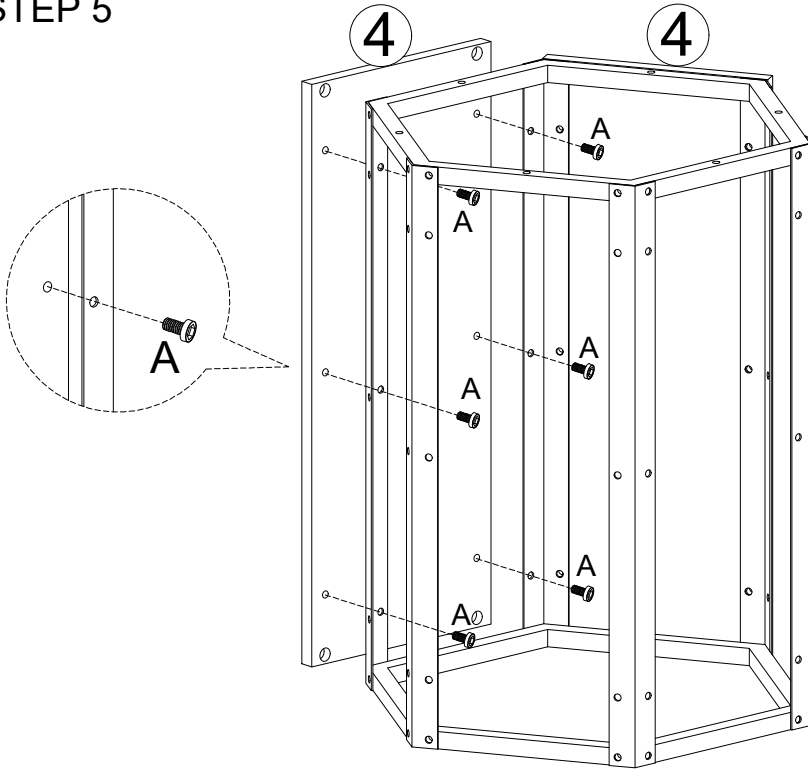
		4 mm
A		x8



### STEP 4



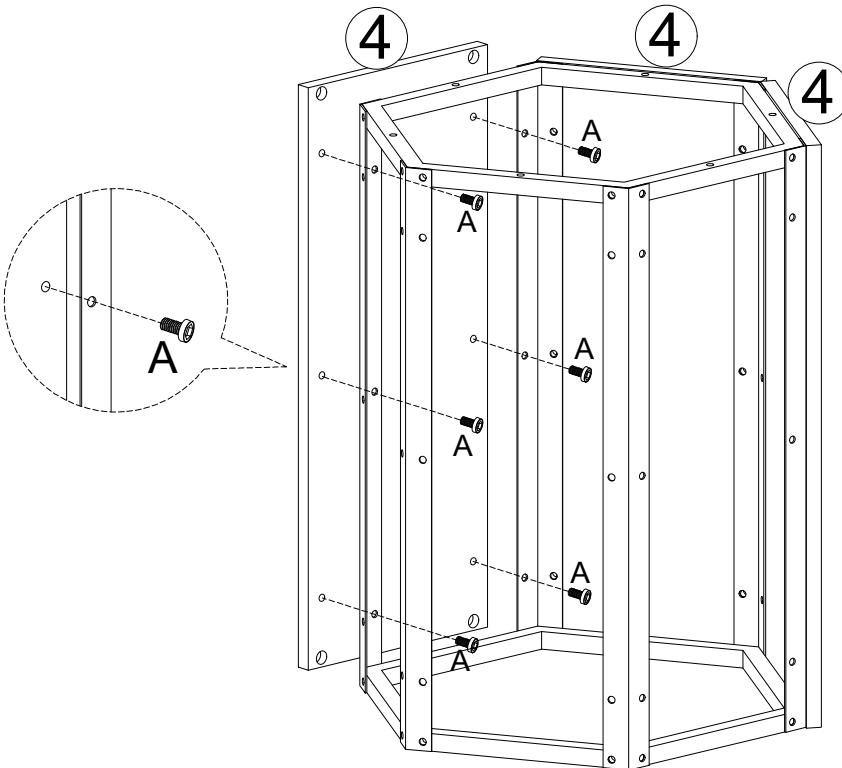
		4 mm
A		x6



# STEP 5



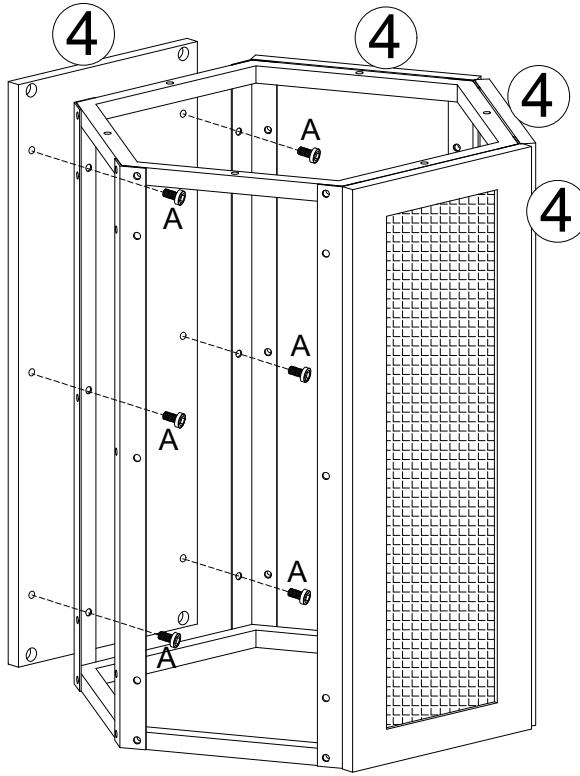
	4 mm
A 	x6



# STEP 6



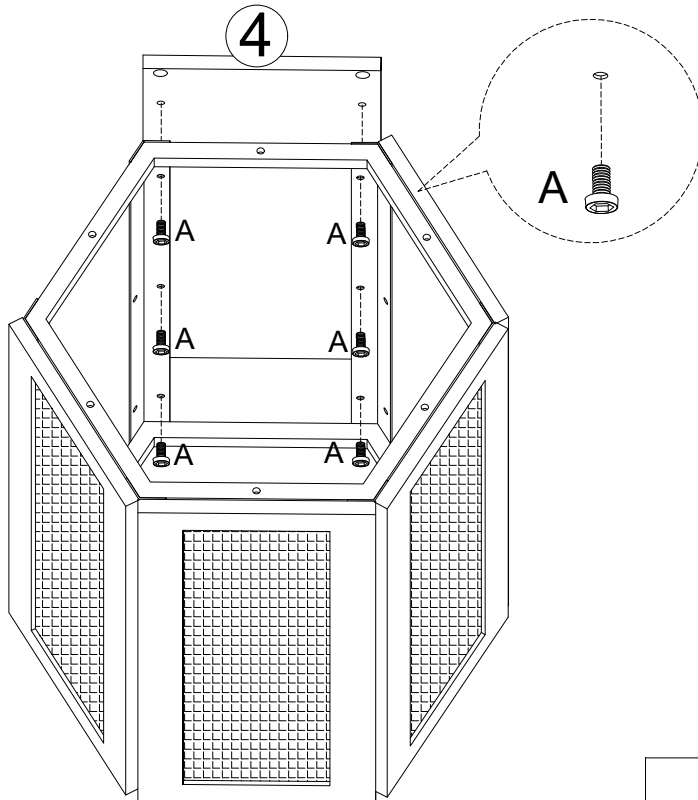
	4 mm
A 	x6



# STEP 7



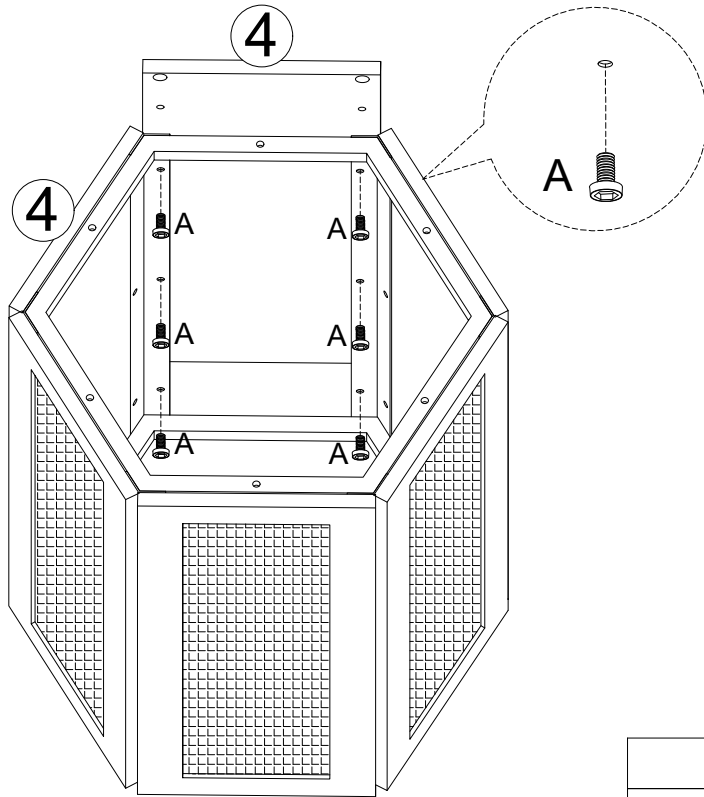
		4 mm
A		x6



# STEP 8



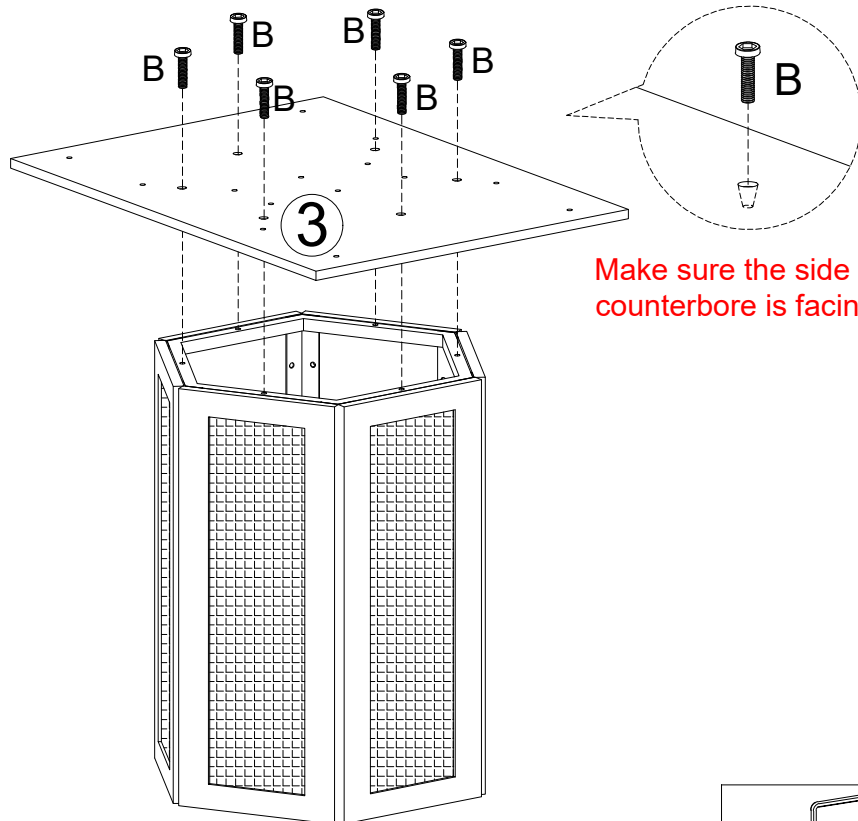
		4 mm
A		x6

# STEP 9





	4 mm
A 	x6

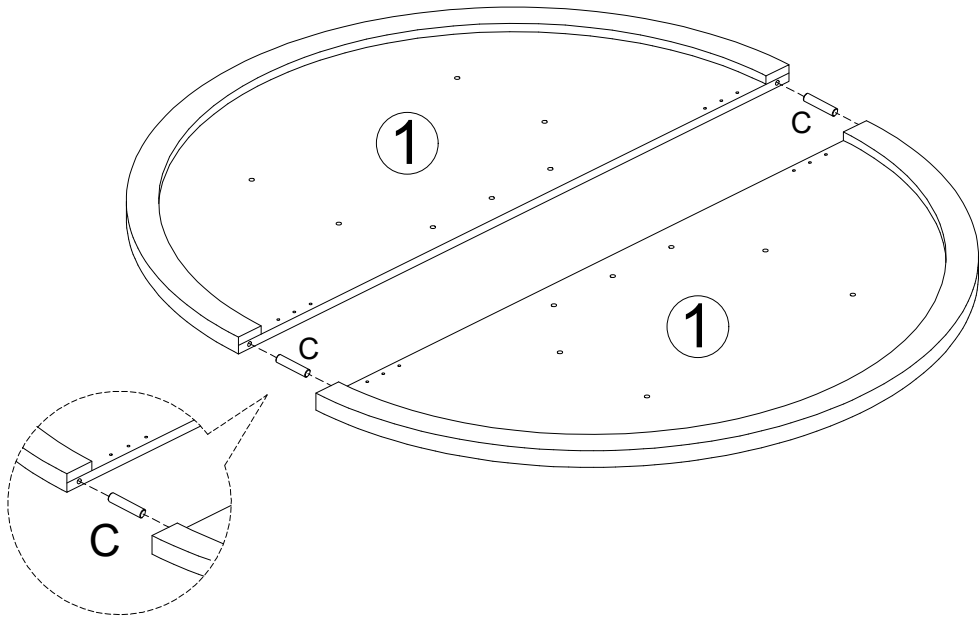
# STEP 10



Make sure the side with the counterbore is facing up

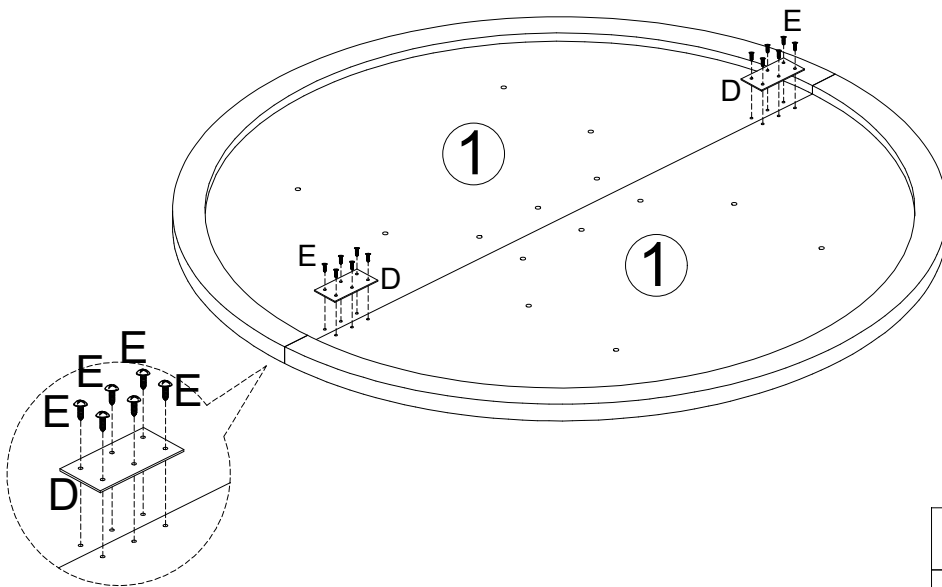
	4 mm
B 	x6




# STEP 11



A  x2

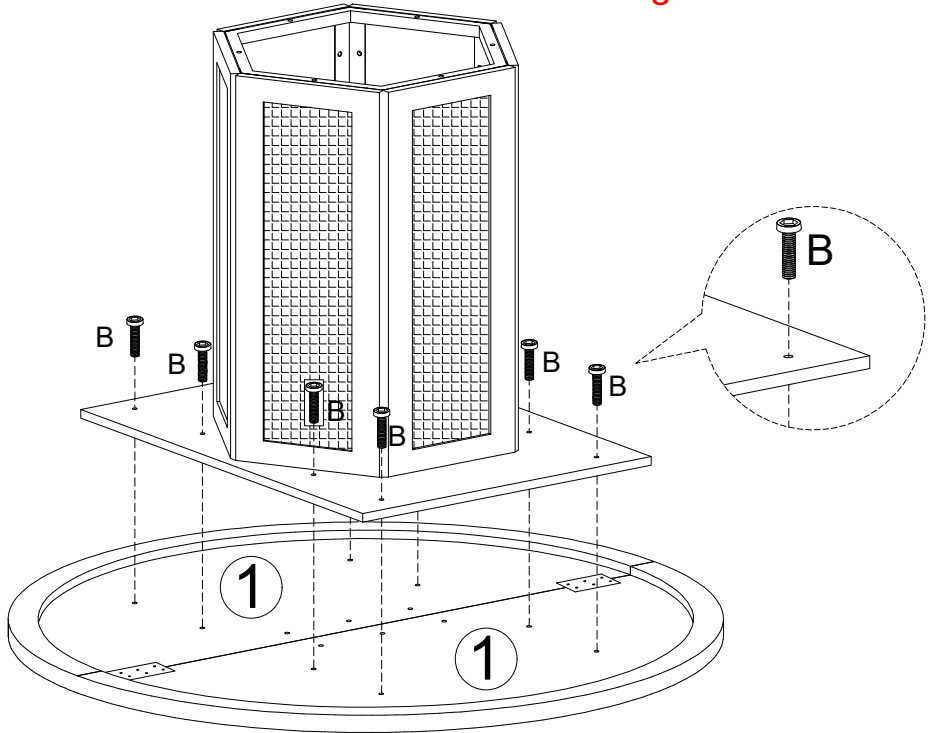
# STEP 12





		
D		x2
E		x12

# STEP 13

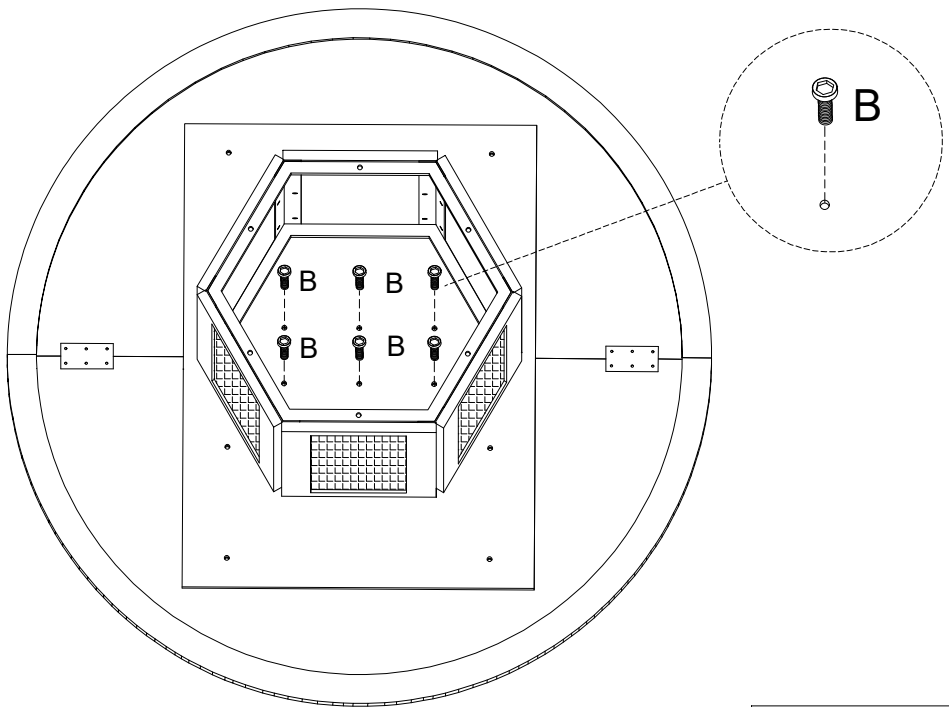
Tighten screws of 70%





	4 mm
B 	x8

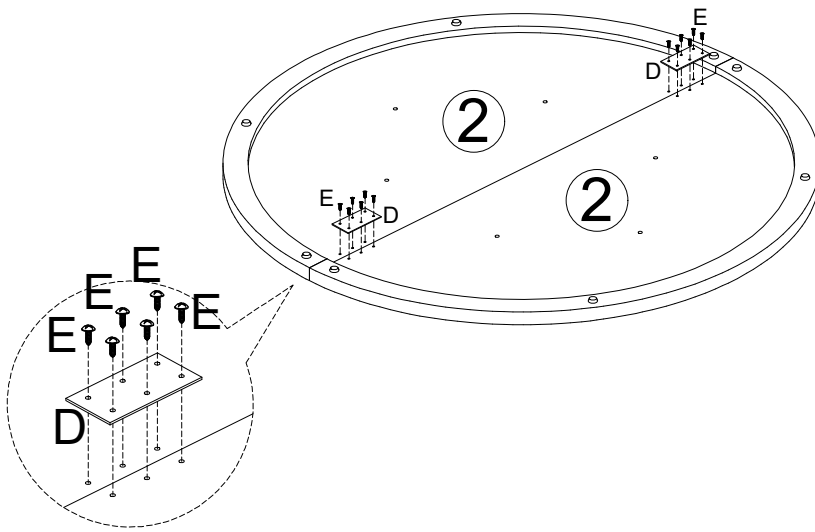
# STEP 14




Fully tighten all the screws



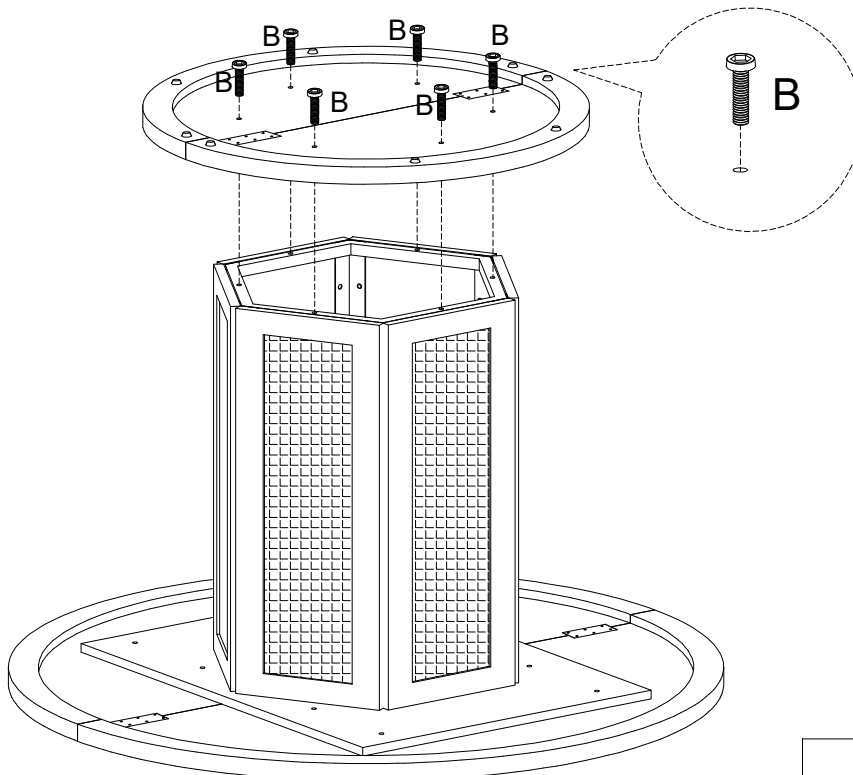
	4 mm
B 	x6



# STEP 15



		
D		x2
E		x12

# STEP 16



		4mm
B		x6

STEP 17

