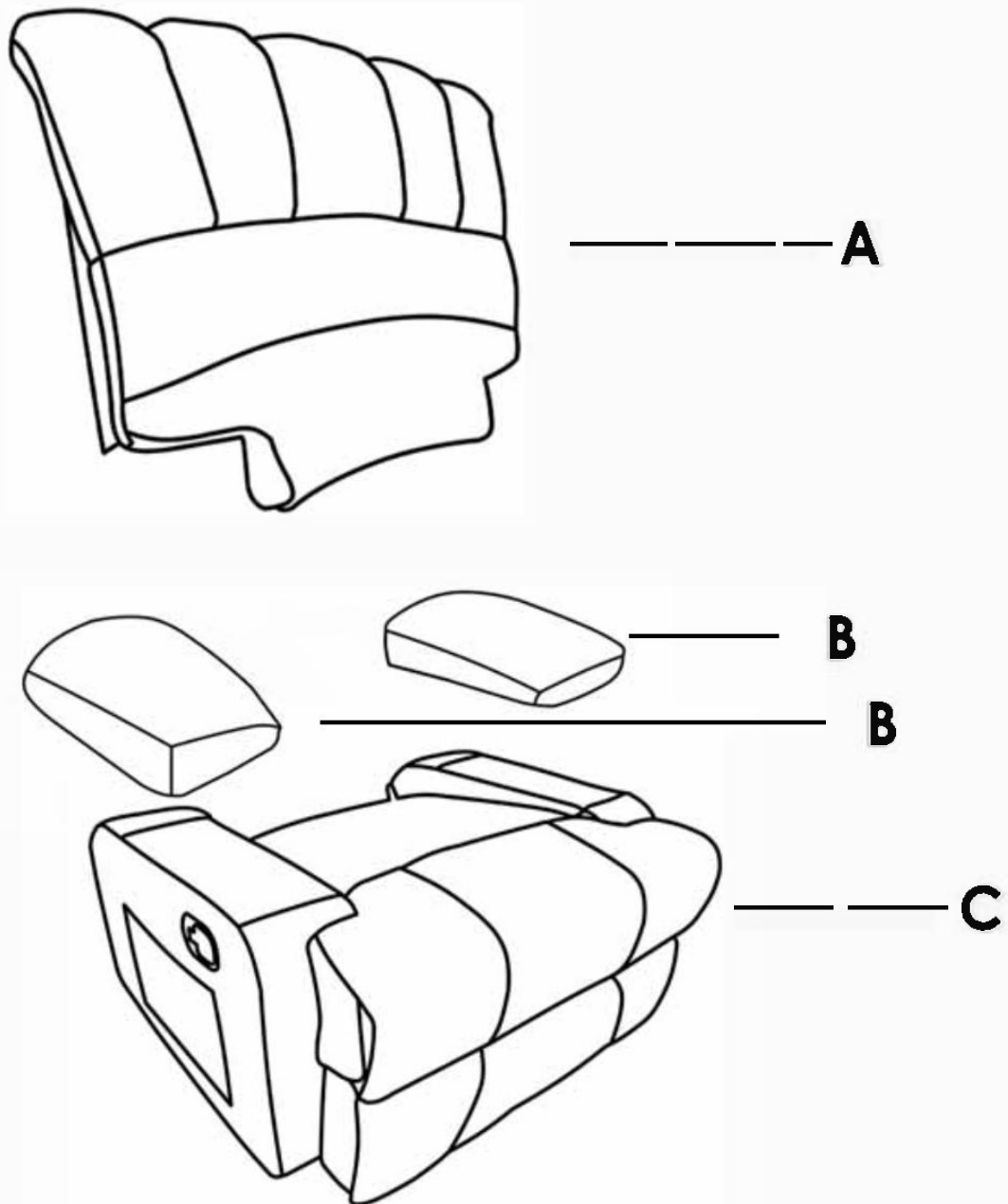


Assembly Manual

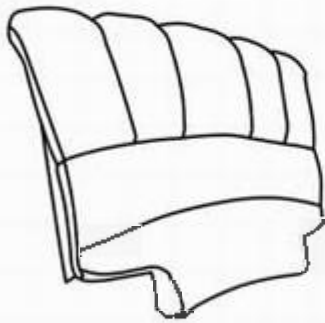
Recliner



Exploded View

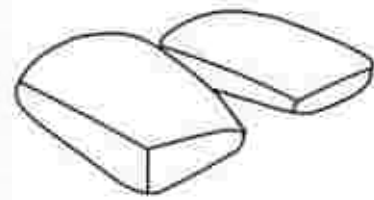


A. Backrest

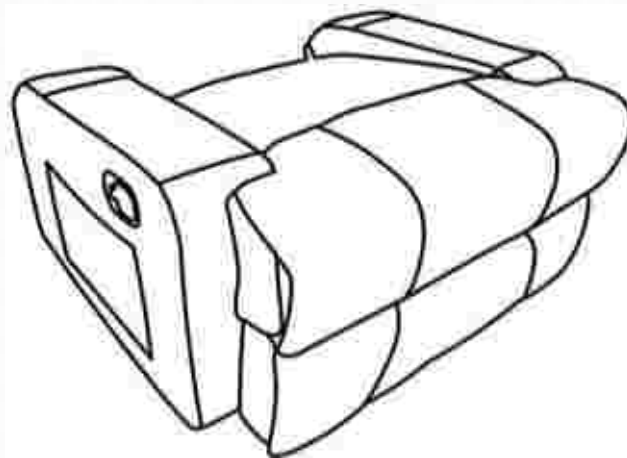


B. Armrest*2

Attention: Remove the armrests(B) from the bottom of the seat before assembly.



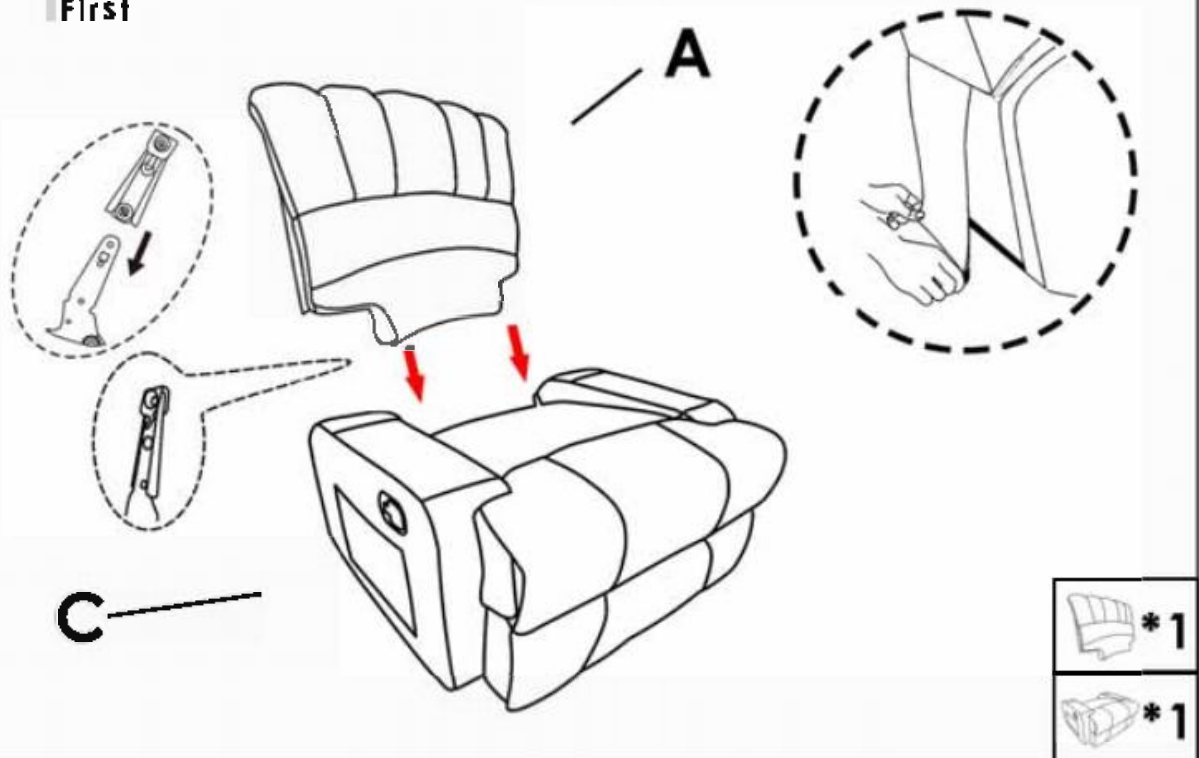
C. Seat



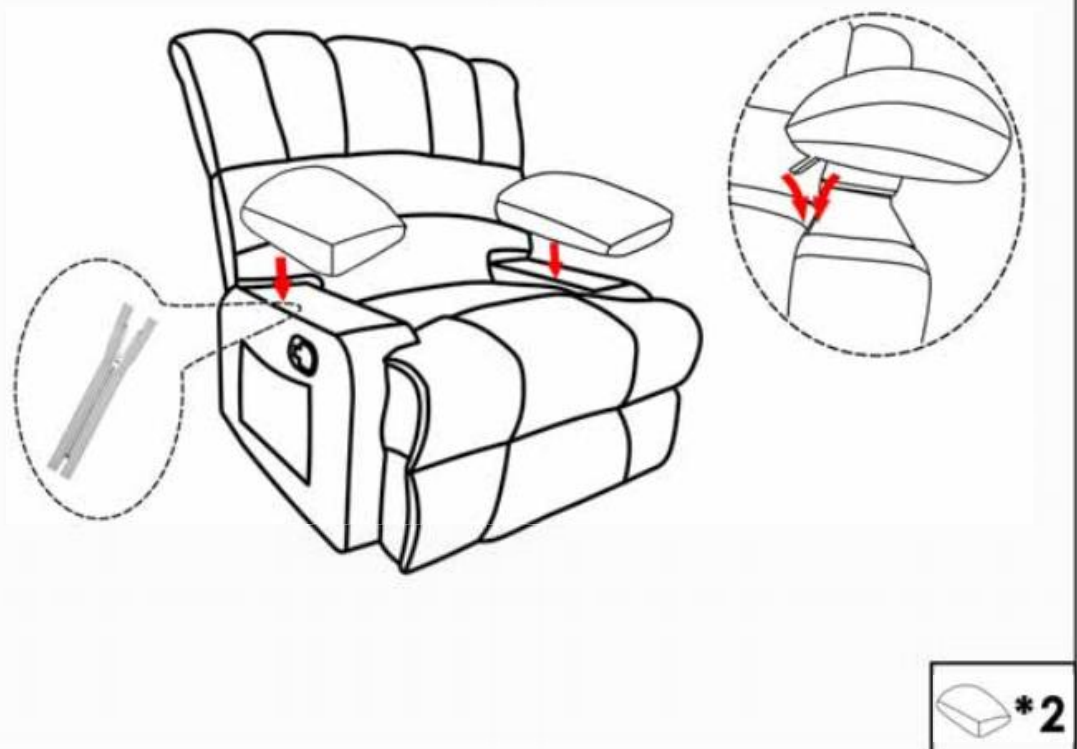
Assembly Instruction

Step 1 First, remove any packing material (if present), then insert the backrest into the seat as shown below. Then seal the Velcro strip at the back.

First

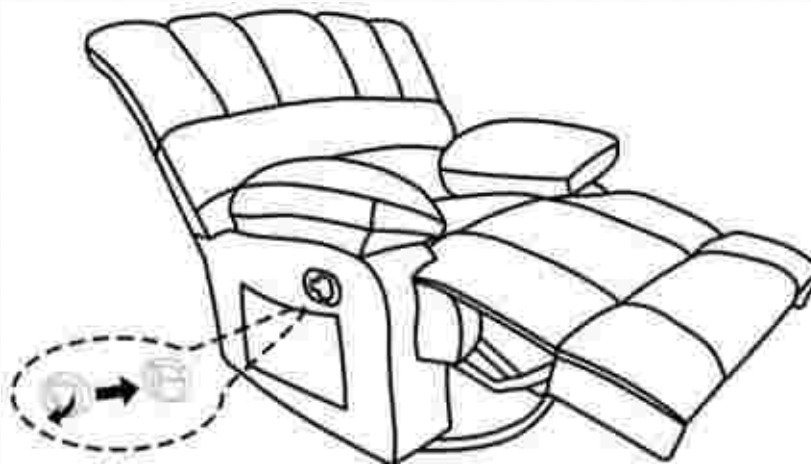


Step 2 Attach the armrest to the seat using the zipper. Then fit the Velcro backing over the Velcro fuzzy side of the armrest and secure in place.



Function Instruction

- (1) Locate the control lever on the right side of the recliner.
- (2) While seated, pull up the lever and lean back to recline the backrest. Lean back until the backrest reaches your desired reclined position.
- (3) To open the footrest, continue leaning back while holding the lever. The footrest will automatically swing up.



To return to upright position, firmly push off the footrest with your legs and lean forward to bring the backrest upright.

