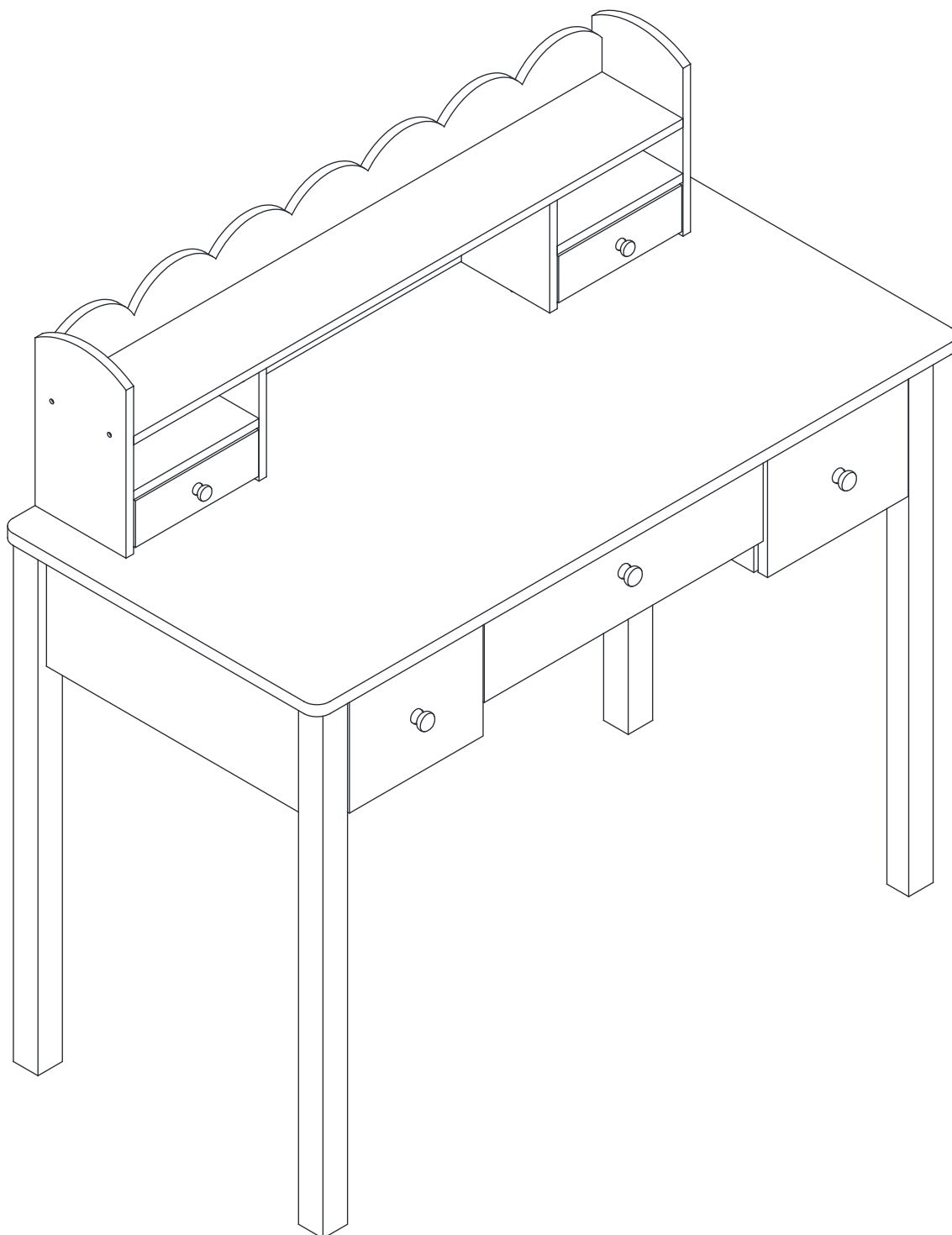


# INSTRUCTION MANUAL



**We stand behind we sell. If you are not satisfied with your purchase, you can return it for a replacement or refund.**

**For any further question don`t hesitate to contact us.**

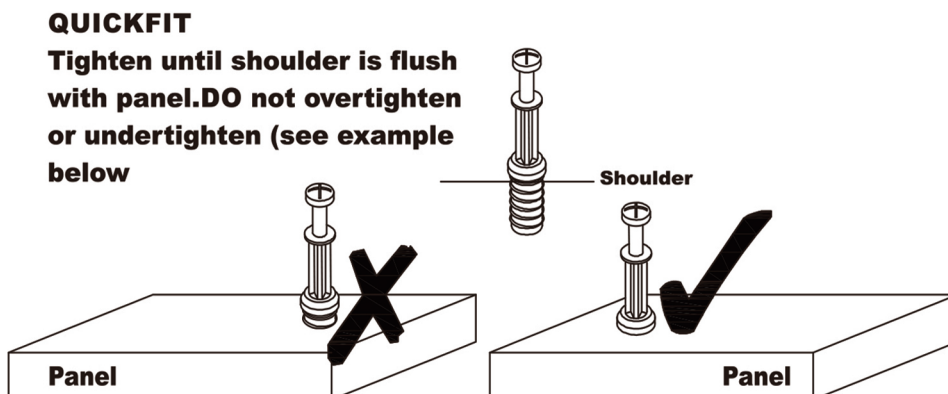
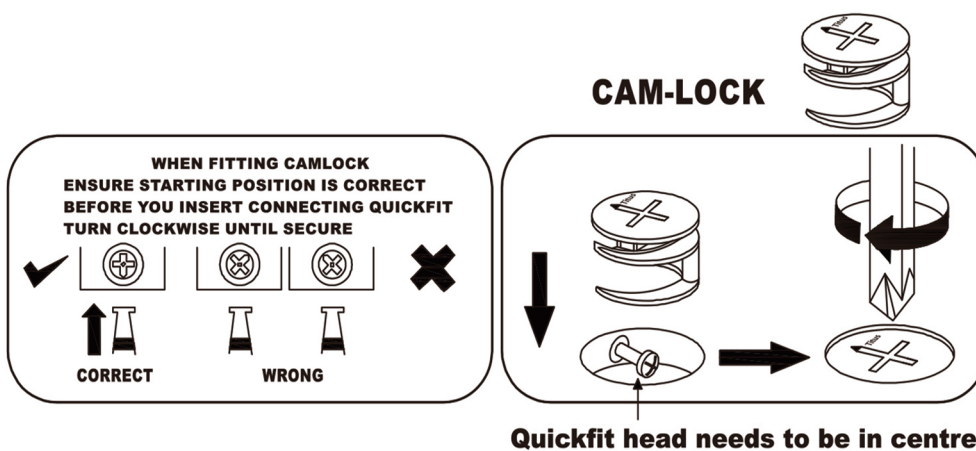
# CONTACT US !

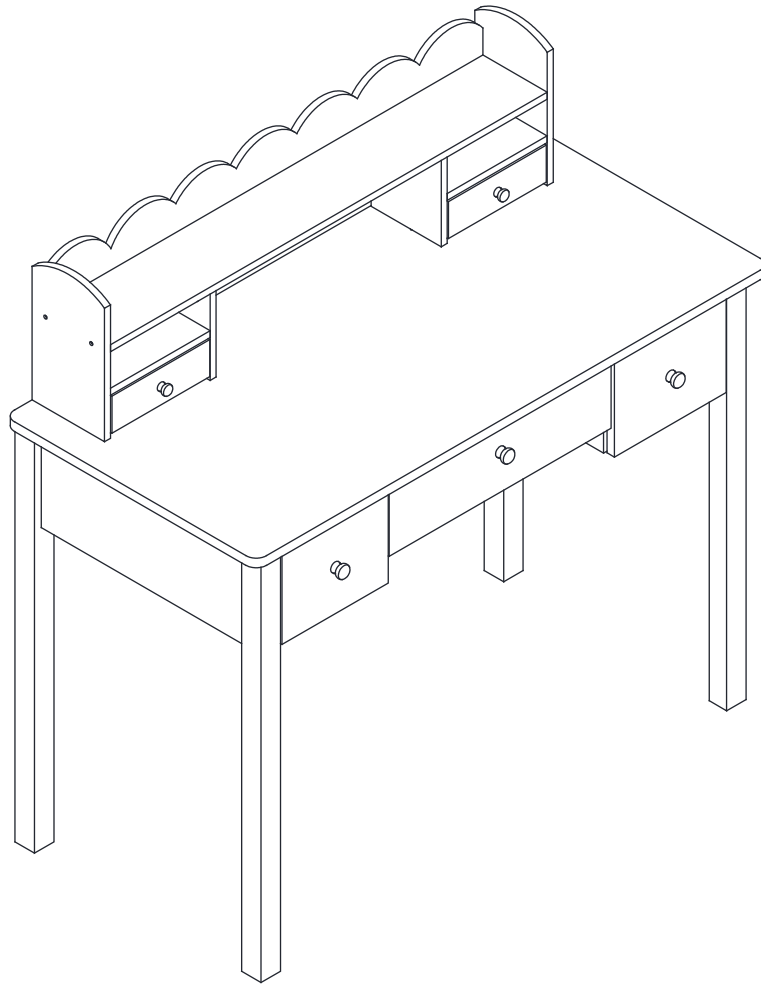
## Do Not return this product


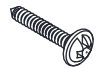
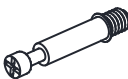
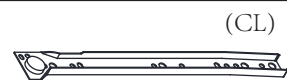









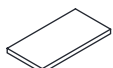


Contact our friendly customer service team first for help.

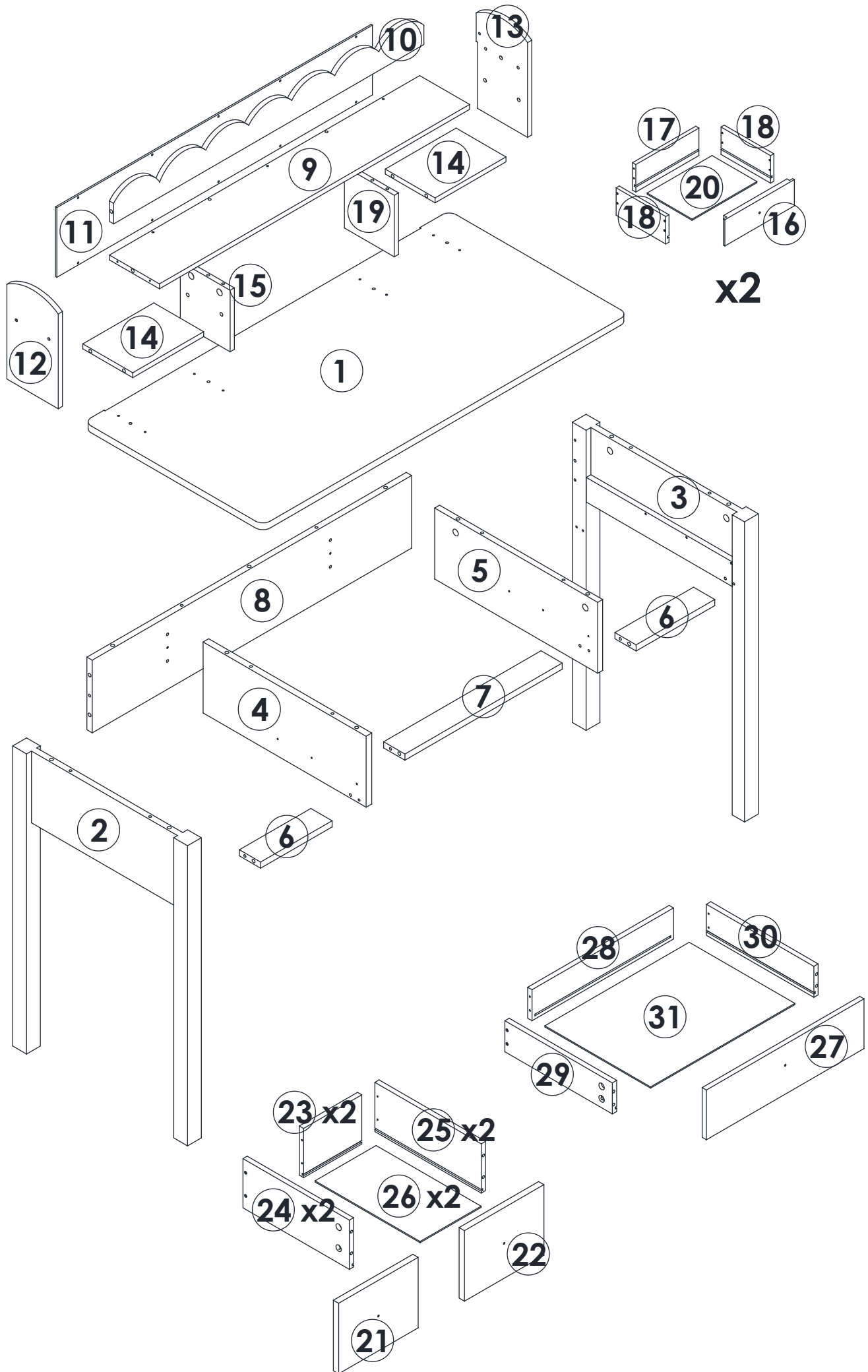
If you have any other questions, please leave the order NO. and related Picture information, We will reply you within 24 hours, and solve the problem as soon as possible.

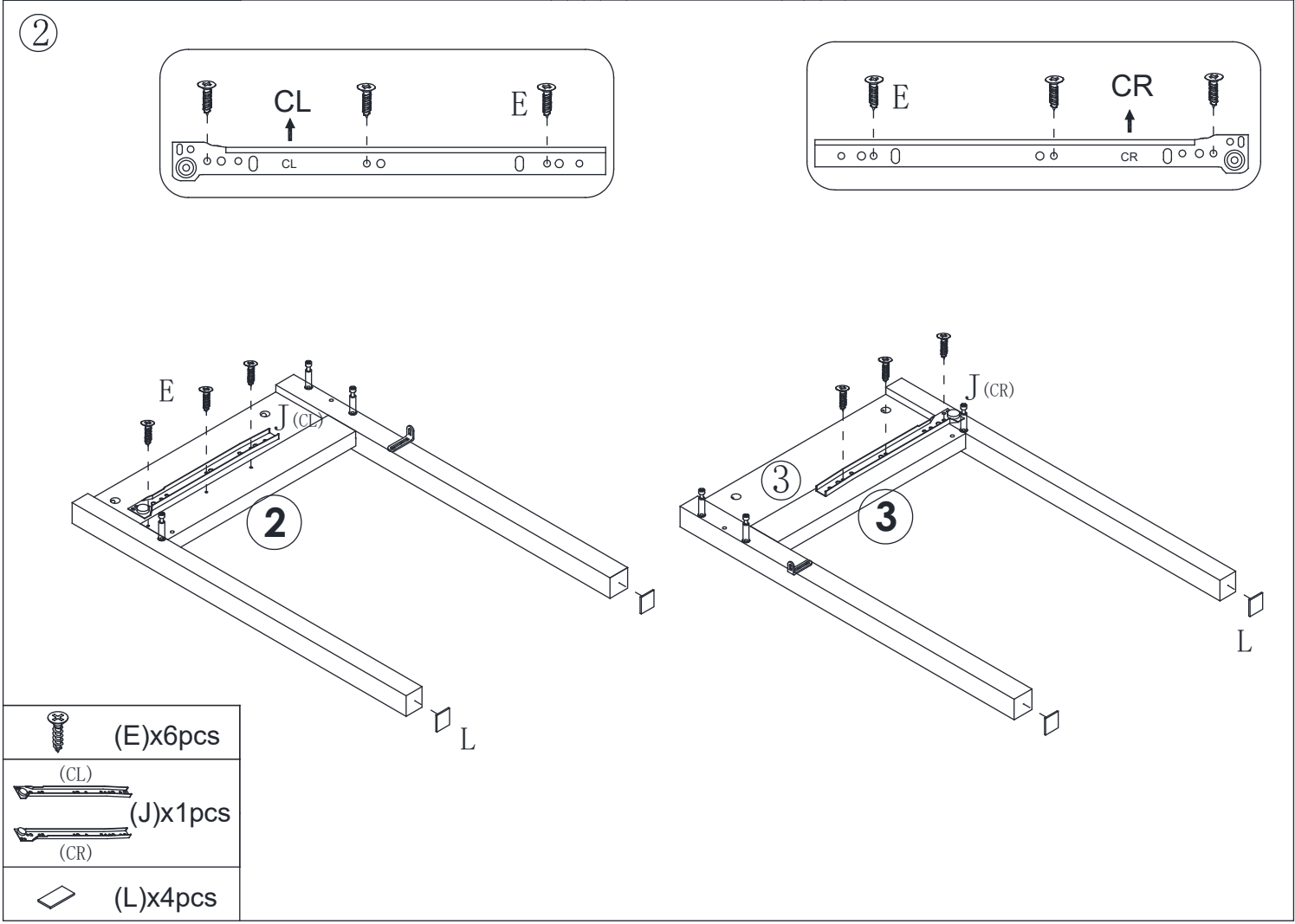
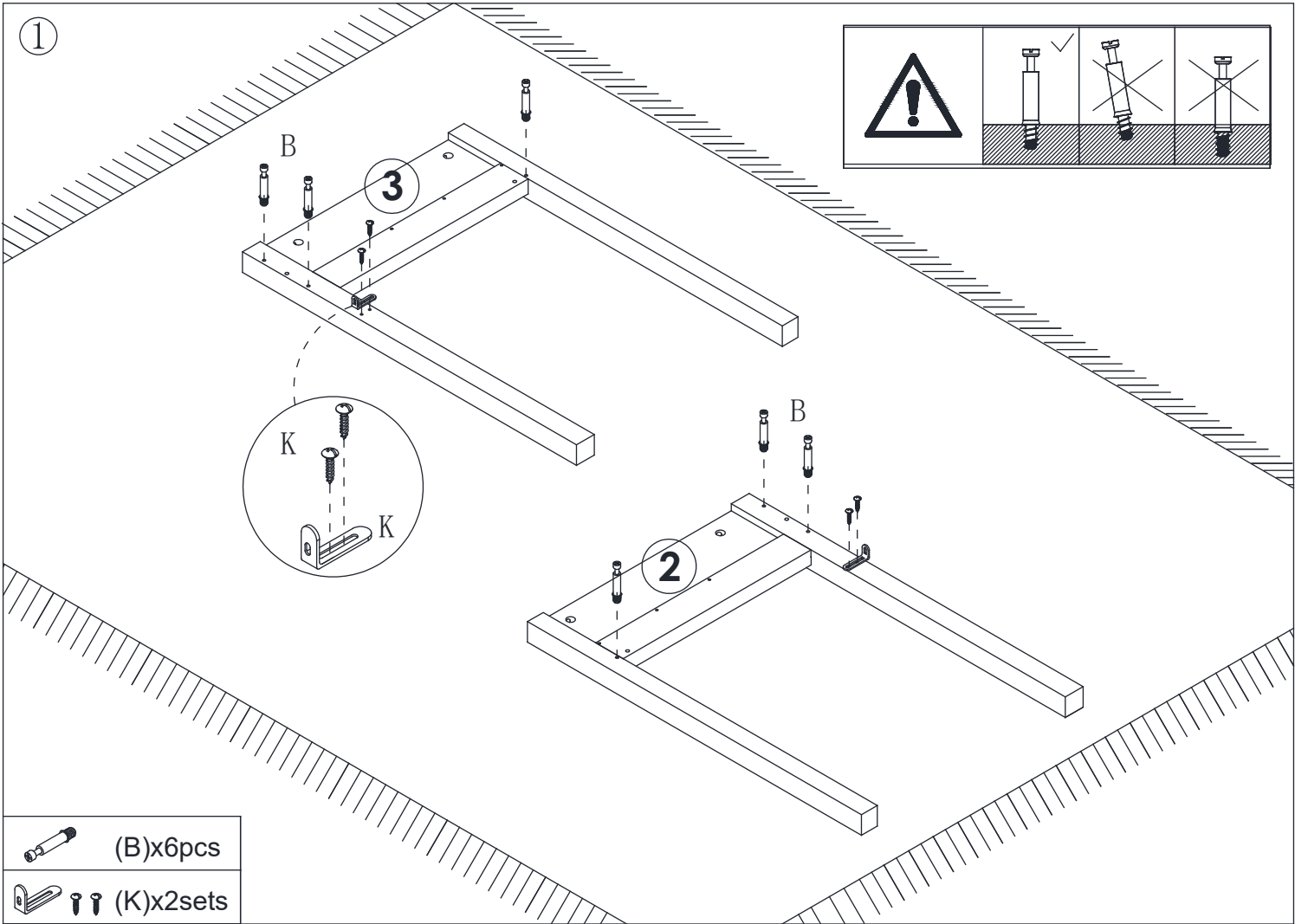
## SPECIAL TIPS FOR FITTING CAM-LOCKS AND QUICKFIT



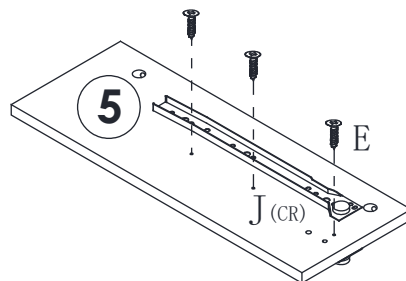
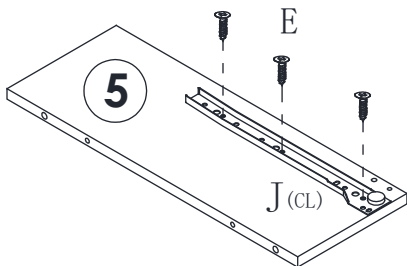
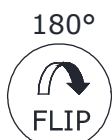
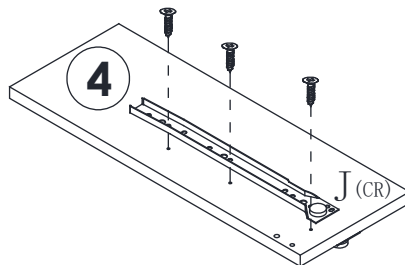
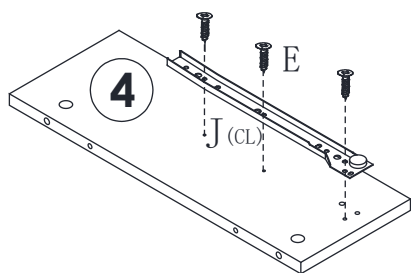
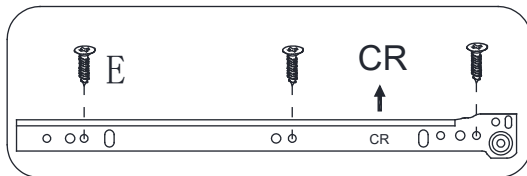
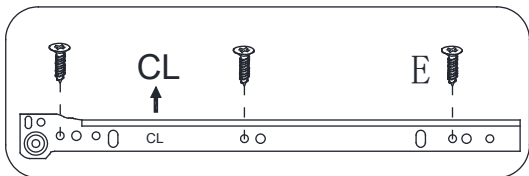


A	 6x30mm	40pcs	I	 2.5x10mm	14pcs
B	 6x35mm	39pcs	J	 (CL)	3pcs
C	 3x25mm	16pcs		 (CR)	3pcs
D	 15x10mm	39pcs		 (DL)	3pcs
E	 3x12mm	36pcs		 (DR)	3pcs
F	 4x30mm	29pcs	K	 4x14mm	2sets
G	 5pcs	5pcs	L	 4pcs	4pcs
H	 4x25mm	5pcs	M	 2sets	2sets



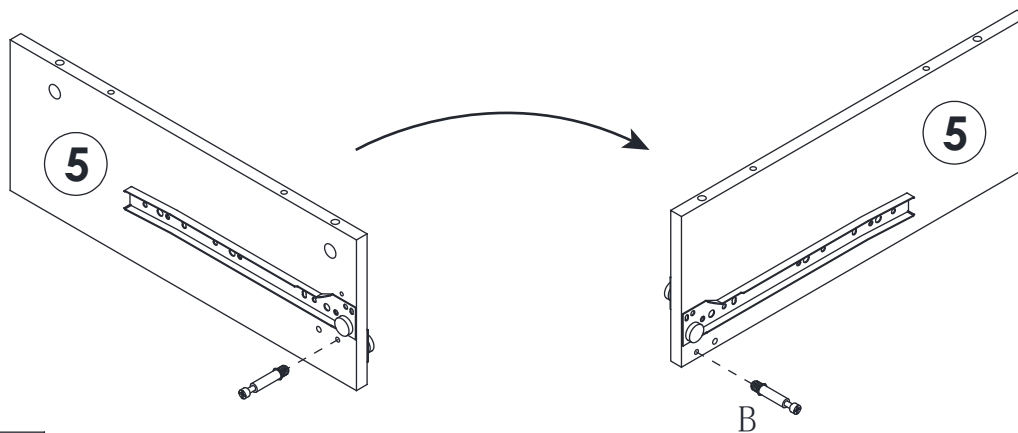
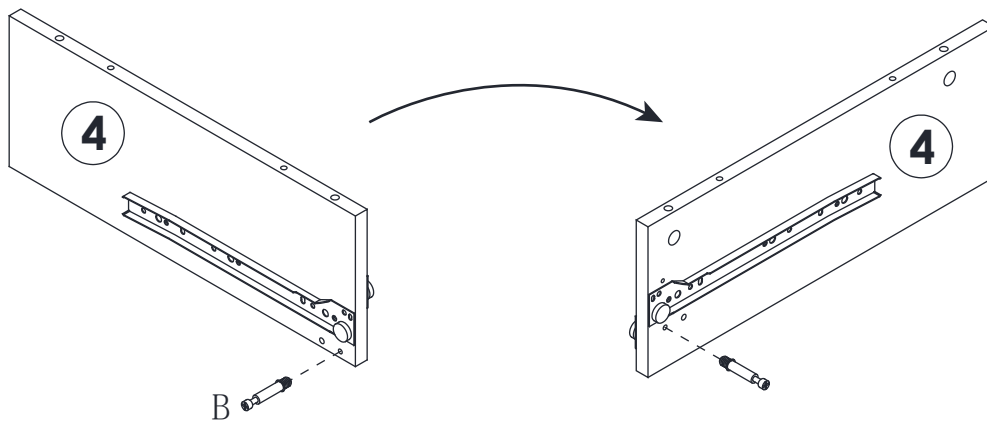


3



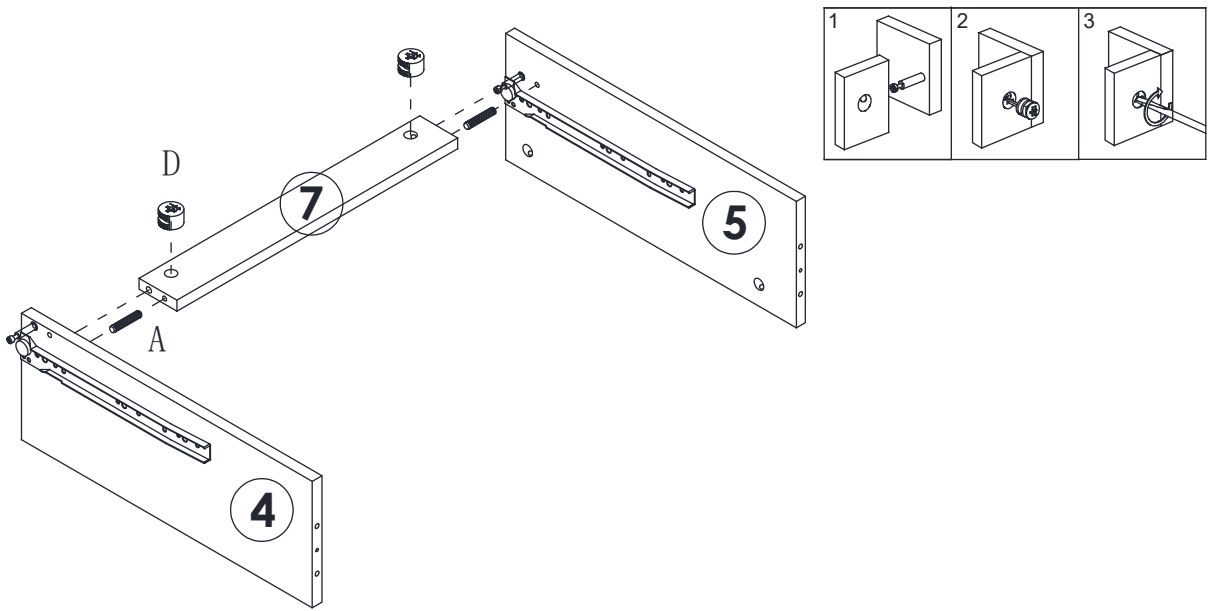
- (E)x12pcs
- (CL)
- (J)x2pcs
- (CR)

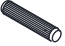

4



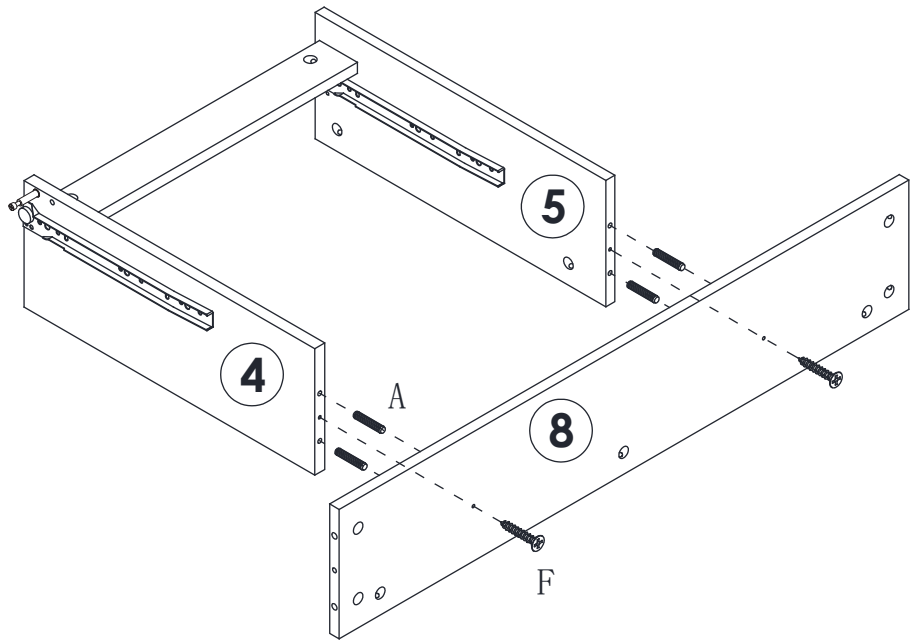
- (B)x4pcs

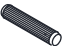

⑤



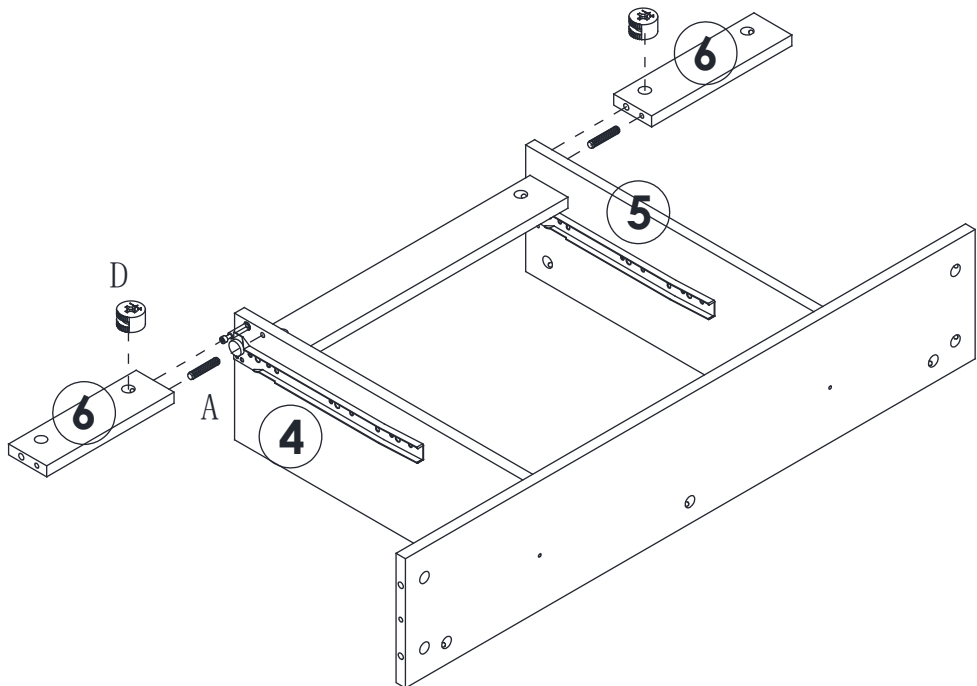
-  (A)x2pcs
-  (D)x2pcs

⑥



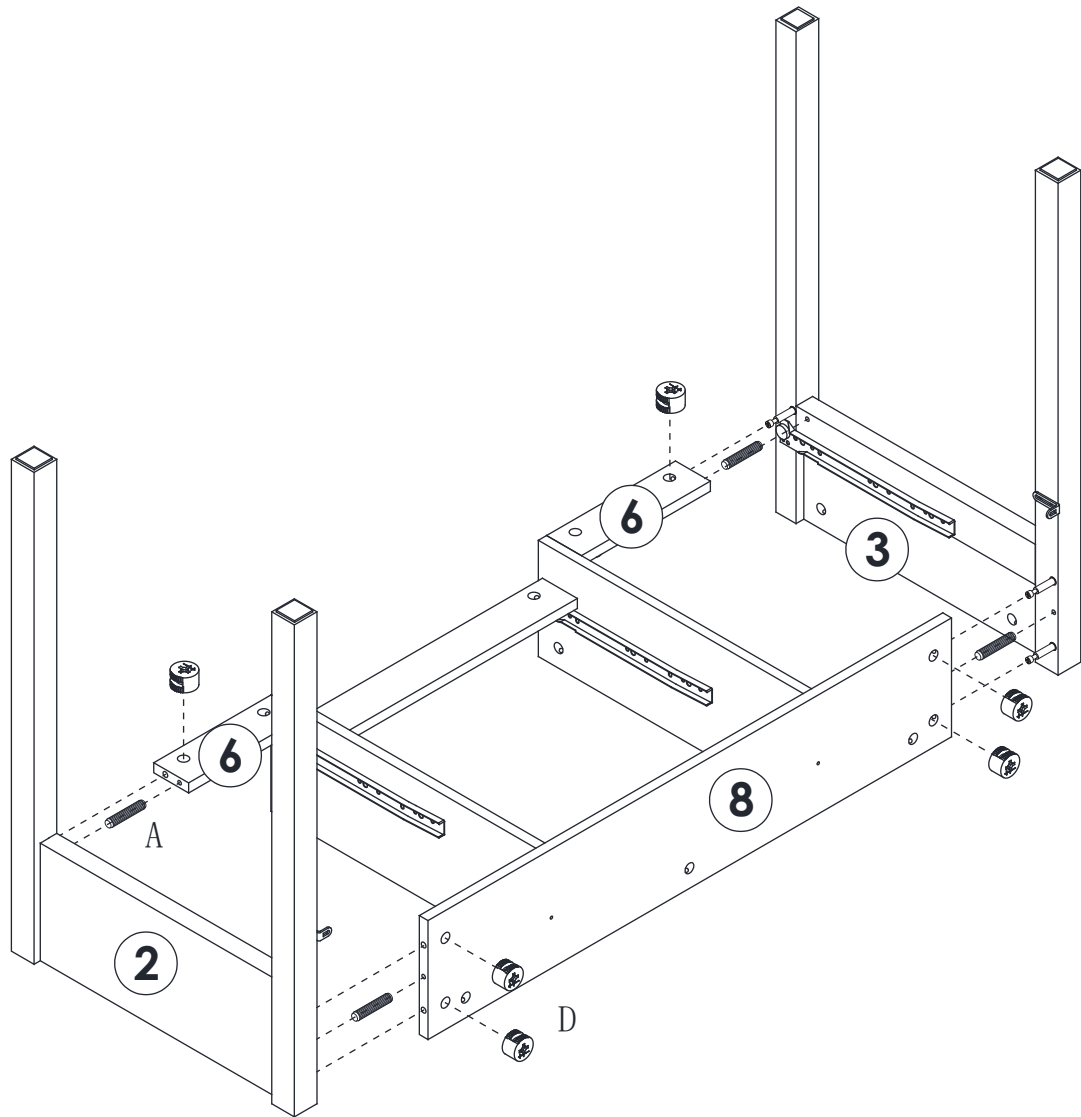
-  (A)x4pcs
-  (F)x2pcs

⑦



-  (A)x2pcs
-  (D)x2pcs

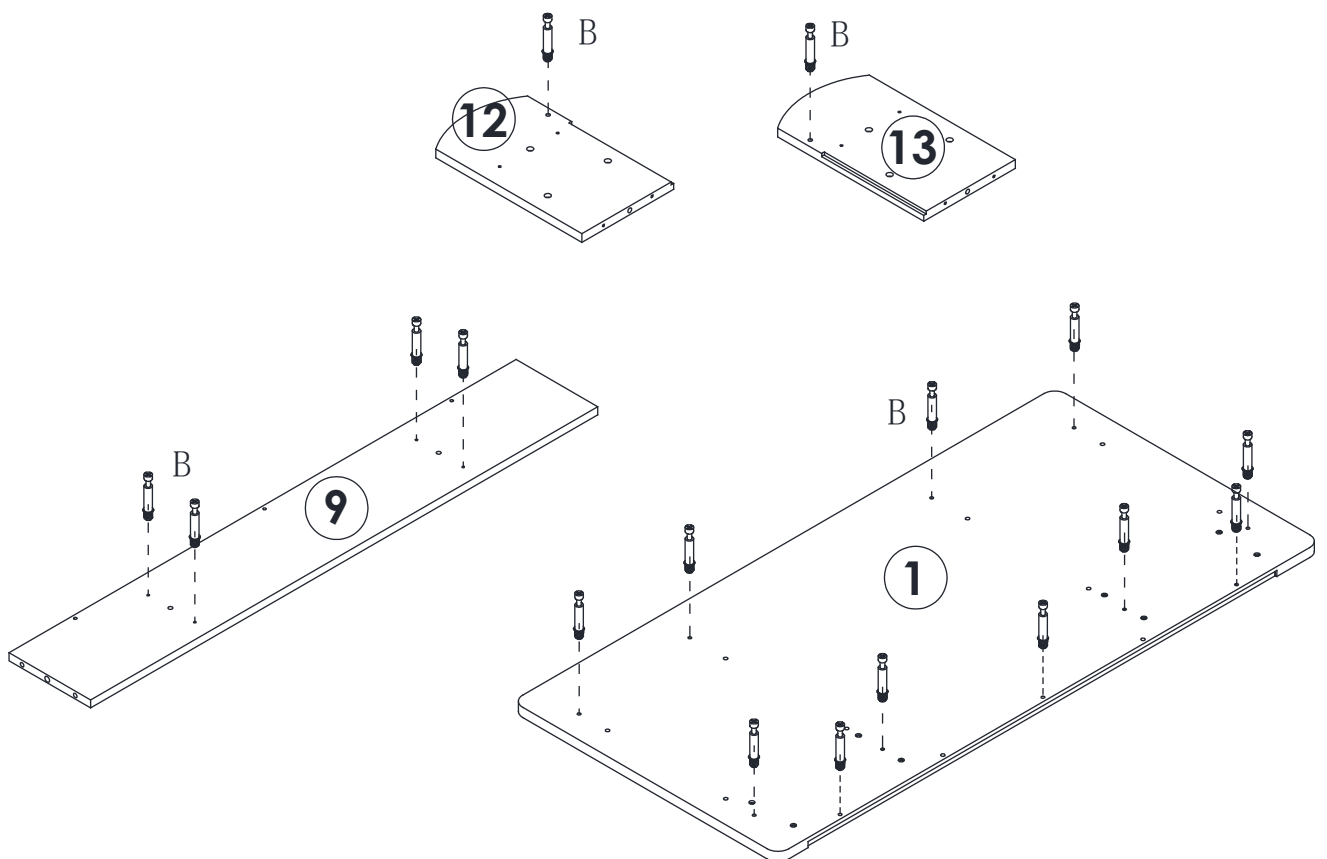
8



(A)x4pcs

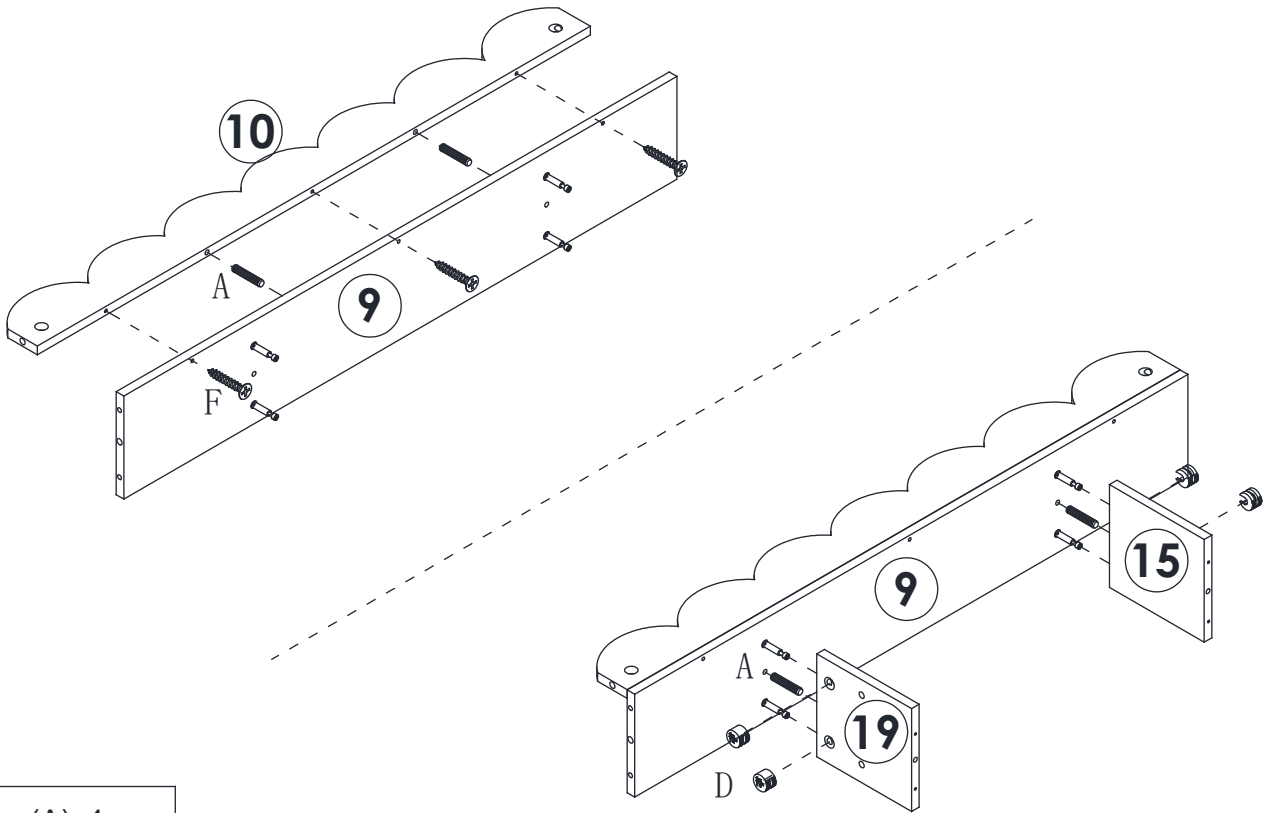
(D)x6pcs


9





(B)x17pcs

10

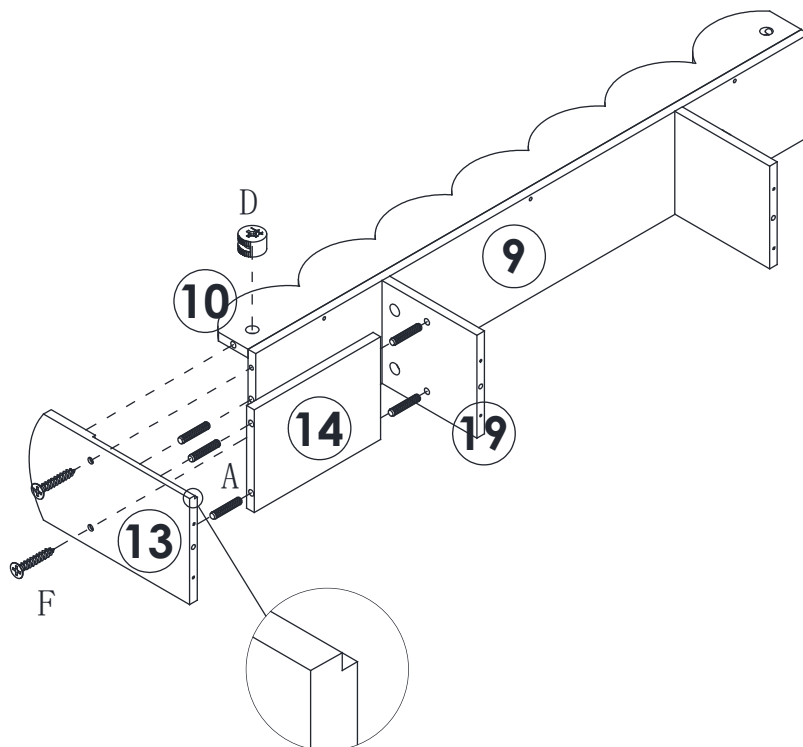



 (A)x4pcs


 (D)x4pcs


 (F)x3pcs

11

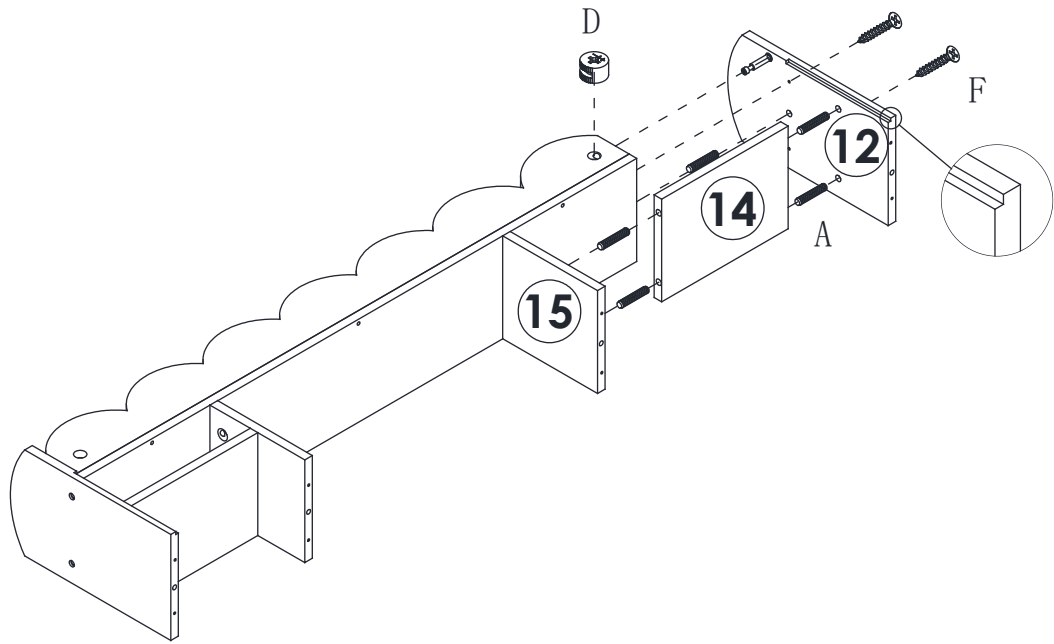


 (A)x5pcs

 (D)x1pc

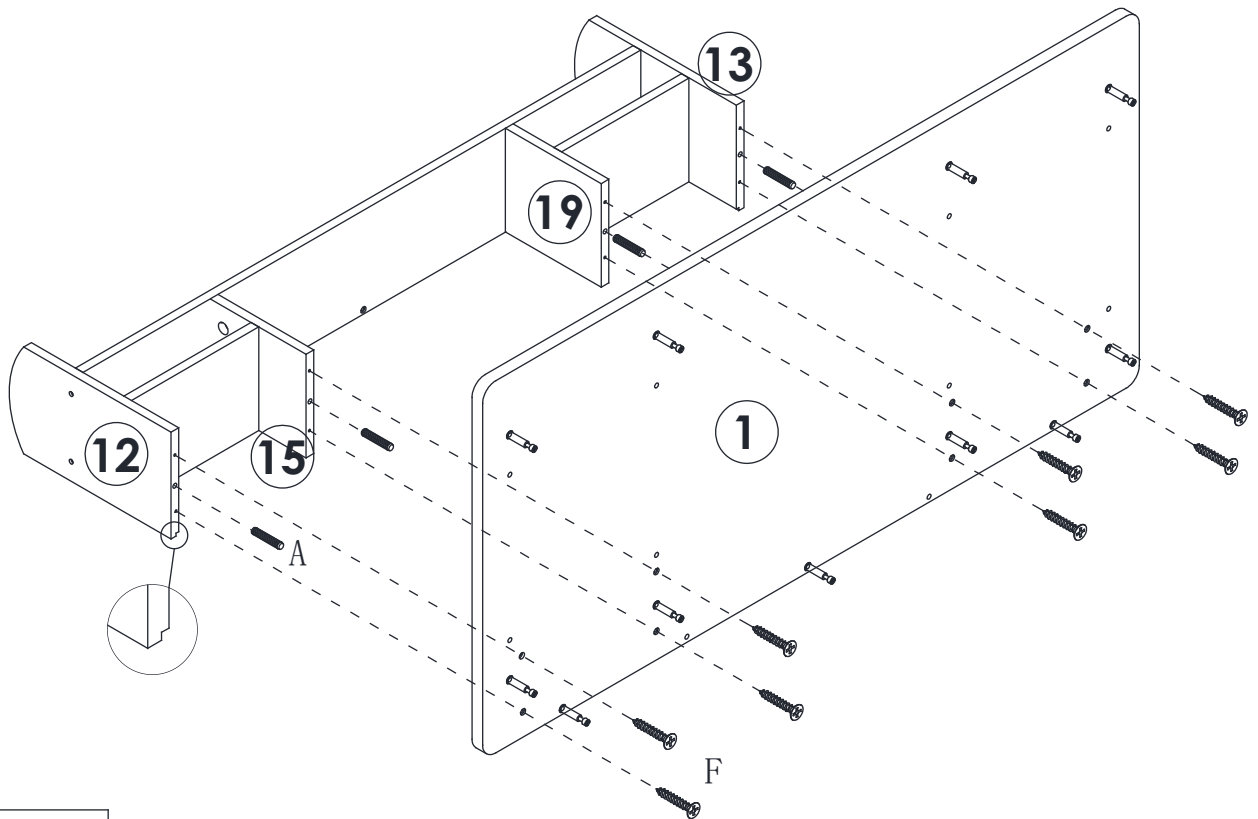
 (F)x2pcs

12

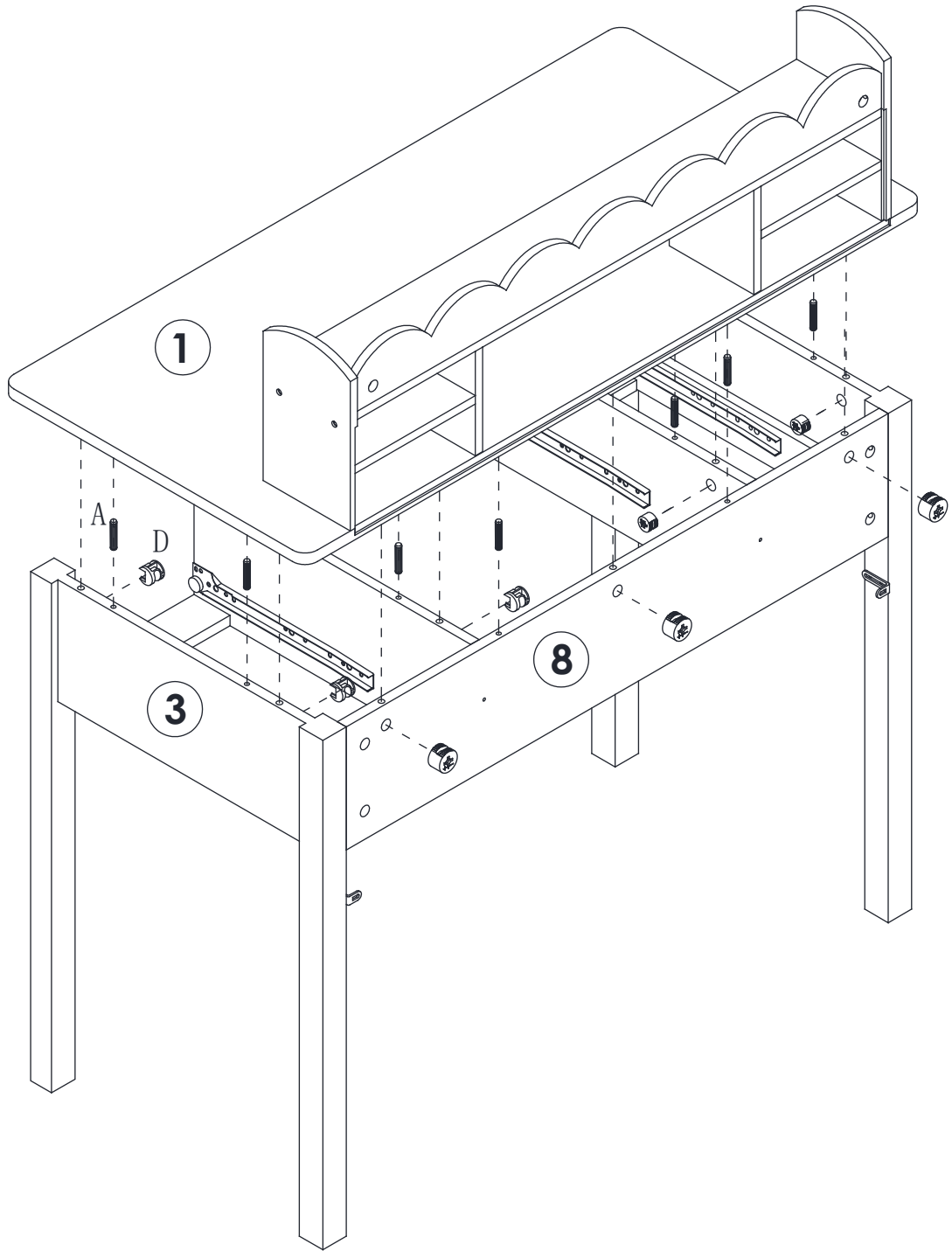


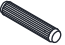

- |  |          |
|--|----------|
|  | (A)x5pcs |
|  | (D)x1pc  |
|  | (F)x2pcs |

13

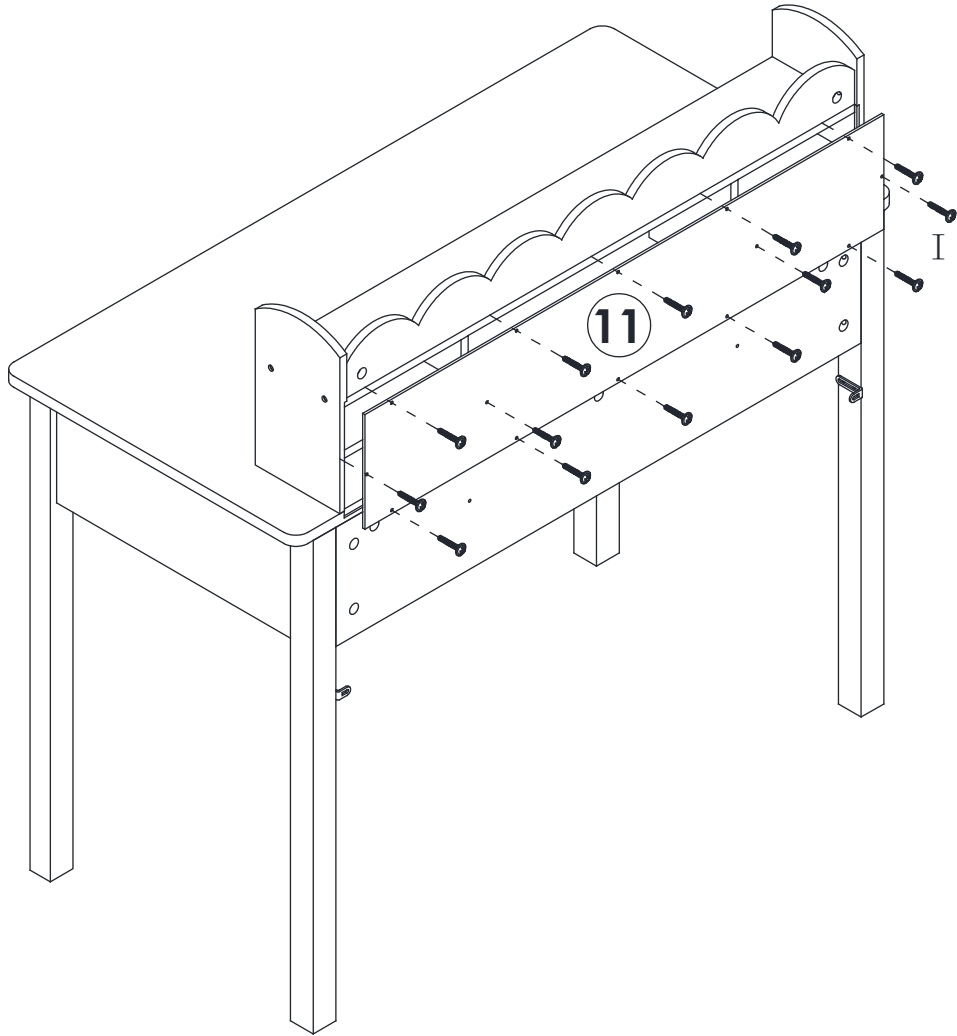



- |  |          |
|--|----------|
|  | (A)x4pcs |
|  | (F)x8pcs |



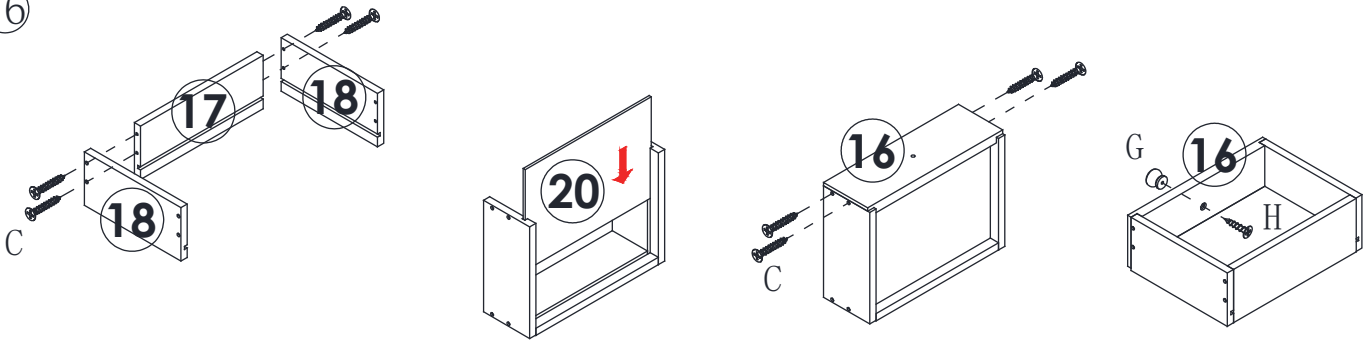
-  (A)x10pcs
-  (D)x11pcs


15





 (I)x14pcs

16



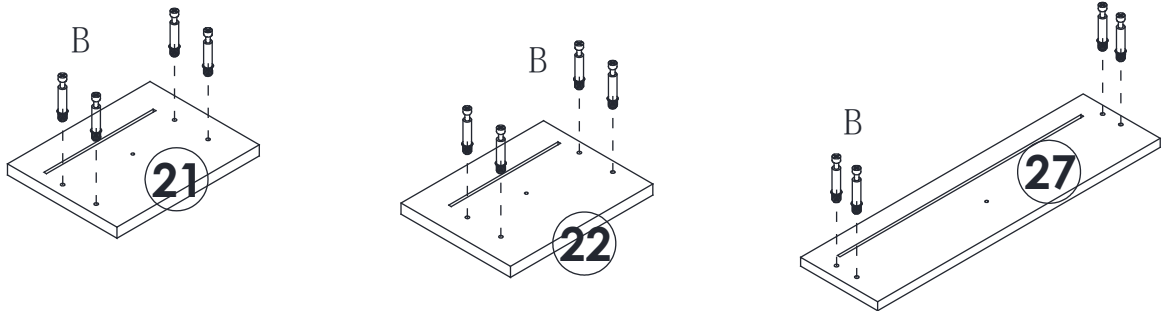
 (C)x16pcs

 (G)x2pcs

 (H)x2pcs

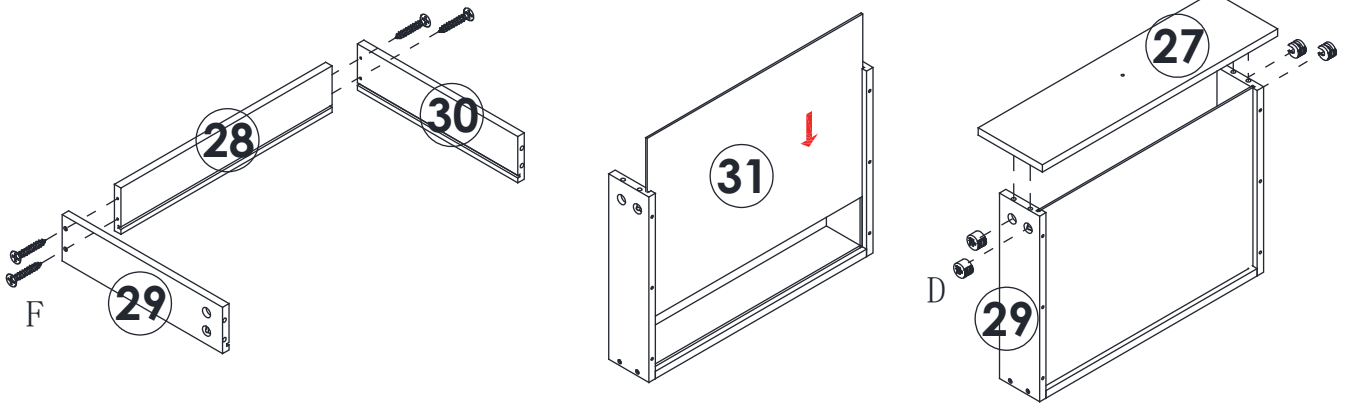
x2

17

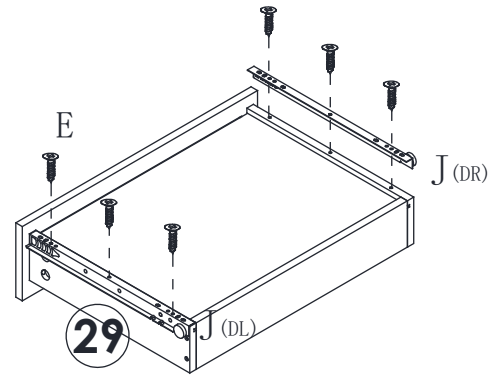
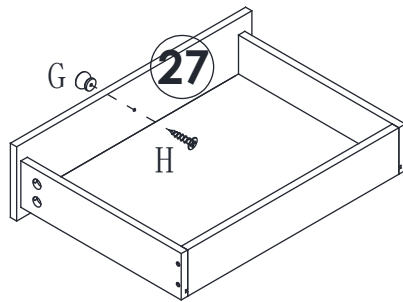


 (B)x12pcs

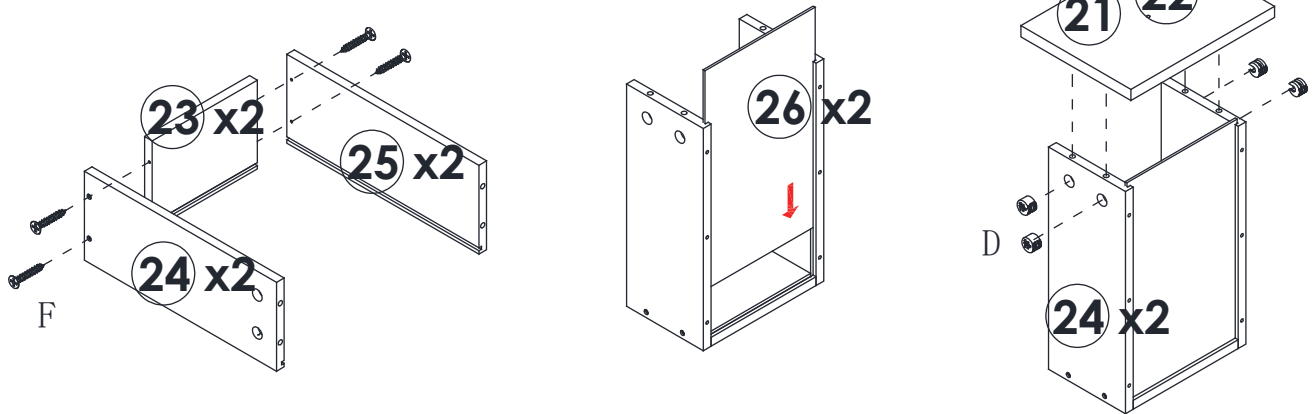
18



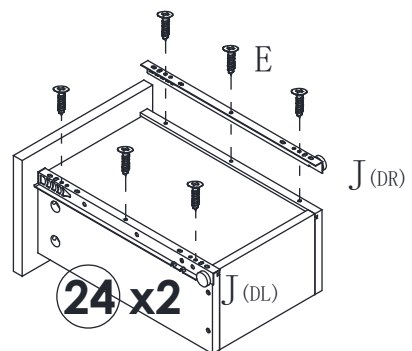
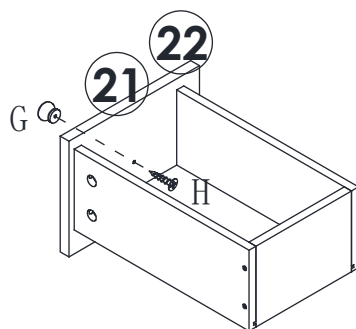
	(D)x4pcs
	(E)x6pcs
	(F)x4pcs
	(G)x1pc
	(H)x1pc
	(DL)
	(J)x1pc
	(DR)



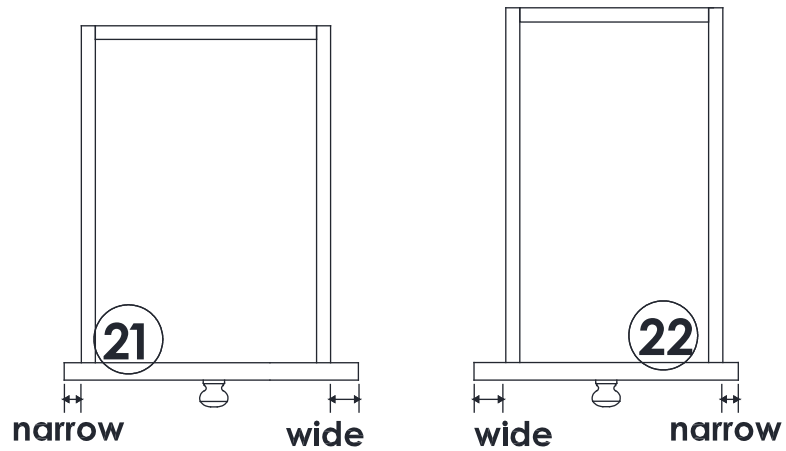
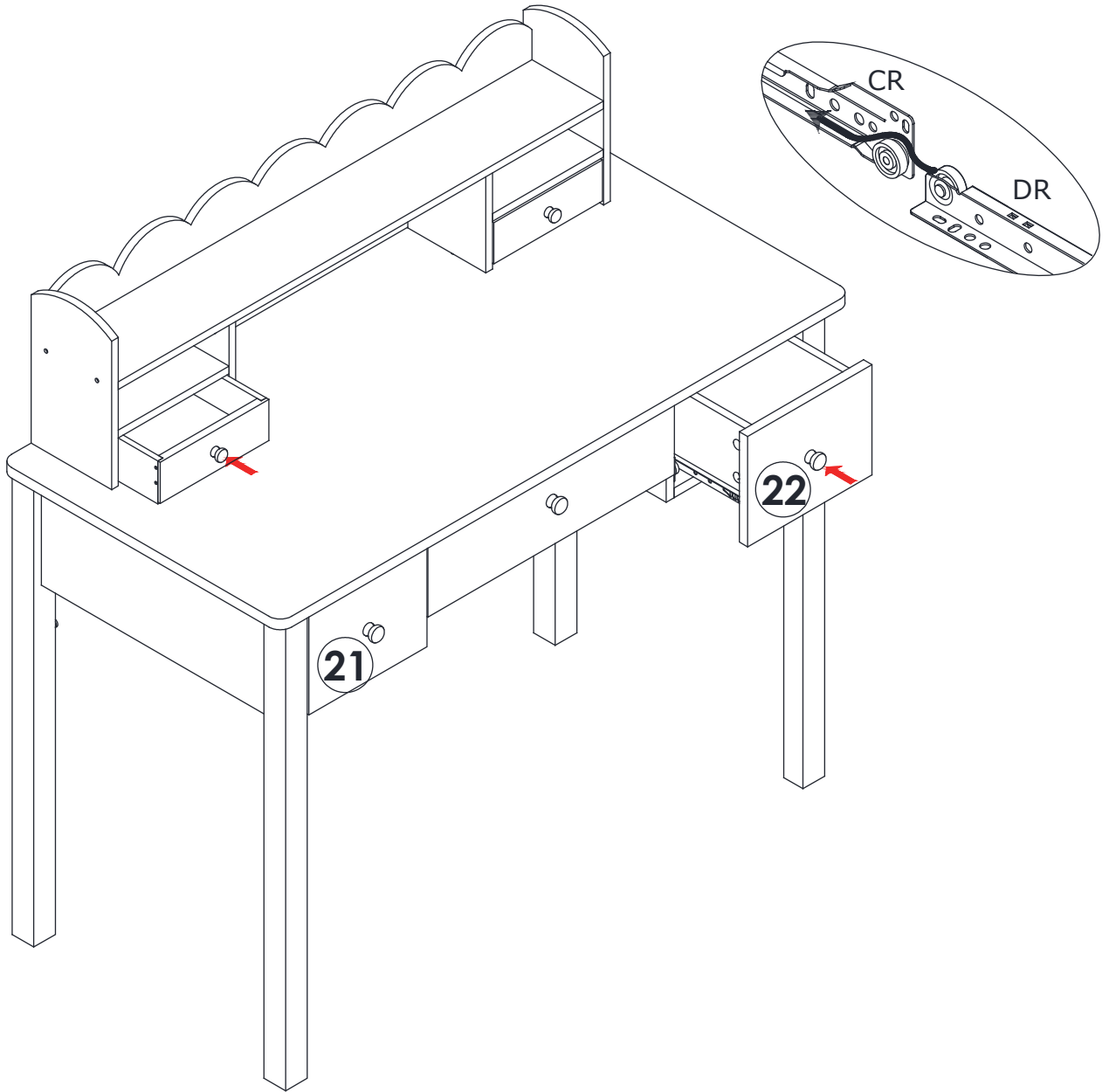
19



	(D)x8pcs
	(E)x12pcs
	(F)x8pcs
	(G)x2pcs
	(H)x2pcs
	(DL)
	(J)x2pcs
	(DR)



20



**Please identify #21 and #22.**  
**Make sure #21 is for left drawer and #22 is for right drawer.**

21

