

**ARNOLD**  
**TR19021-5CCT-UNV-010**  
**TRACK**

PROJECT



TR19021-BK-5CCT-  
 UNV-010  
 Black

**SPECIFICATION DETAILS**

<b>Fixture Dimensions</b>	L20-1/8" x W4-3/4" x H4-3/8"
<b>Light Source</b>	LED with DC Driver
<b>Wattage</b>	30W
<b>Total Lumens</b>	3150lm
<b>Delivered Lumens</b>	2244lm
<b>Voltage</b>	120-277V
<b>Color Temperature</b>	Selectable CCT 2700K/3000K/3500K/4000K/5000K
<b>CRI (Ra)</b>	90CRI
<b>LED Rated Life</b>	50,000 hours
<b>Dimming</b>	100% - 10%, TRIAC or ELV Dimmer (Not Included) or 0-10V Dimmer (Not Included)
<b>Diffuser Details</b>	Clear Acrylic TIR Optics
<b>Location</b>	Damp
<b>Illumination Direction</b>	Down
<b>Mounting Style</b>	Ceiling Only
<b>CEC Title 24 JA8</b>	Yes, JA8-2022
<b>Canopy Dimensions</b>	L4-3/4" x W4-3/4" x H3/8"
<b>Material</b>	Aluminum + Steel
<b>Paint Finish</b>	BK01

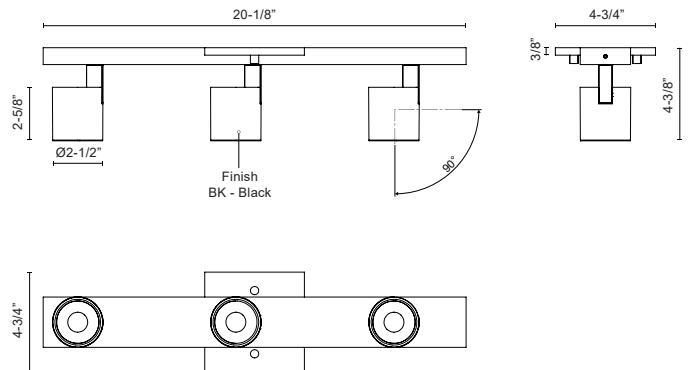
\* For custom options, consult factory for details.

\* For warranty information, please visit [www.kuzcolighting.com/warranty](http://www.kuzcolighting.com/warranty)

**DESCRIPTION**

Elevate your space with the Arnold fixed track collection. Featuring three or five cylinder models seamlessly integrated onto a sleek backplate. Arnold brings a touch of contemporary style any room with its refined, adjustable design for task lighting that suits the needs of your space.

- Sleek, modern design
- Adjustable heads
- Matte Black finish
- Integrated LED, no need for bulbs



**KUZCO**

CANADA: 19054 28TH AVENUE - SURREY, BC V3Z 6M3  
 USA: 3035 E. LONE MOUNTAIN ROAD - LAS VEGAS, NV 89081

[WWW.KUZCOLIGHTING.COM](http://WWW.KUZCOLIGHTING.COM)

© 2024 KUZCO LIGHTING. ALL RIGHTS RESERVED.

**COMMENT**

