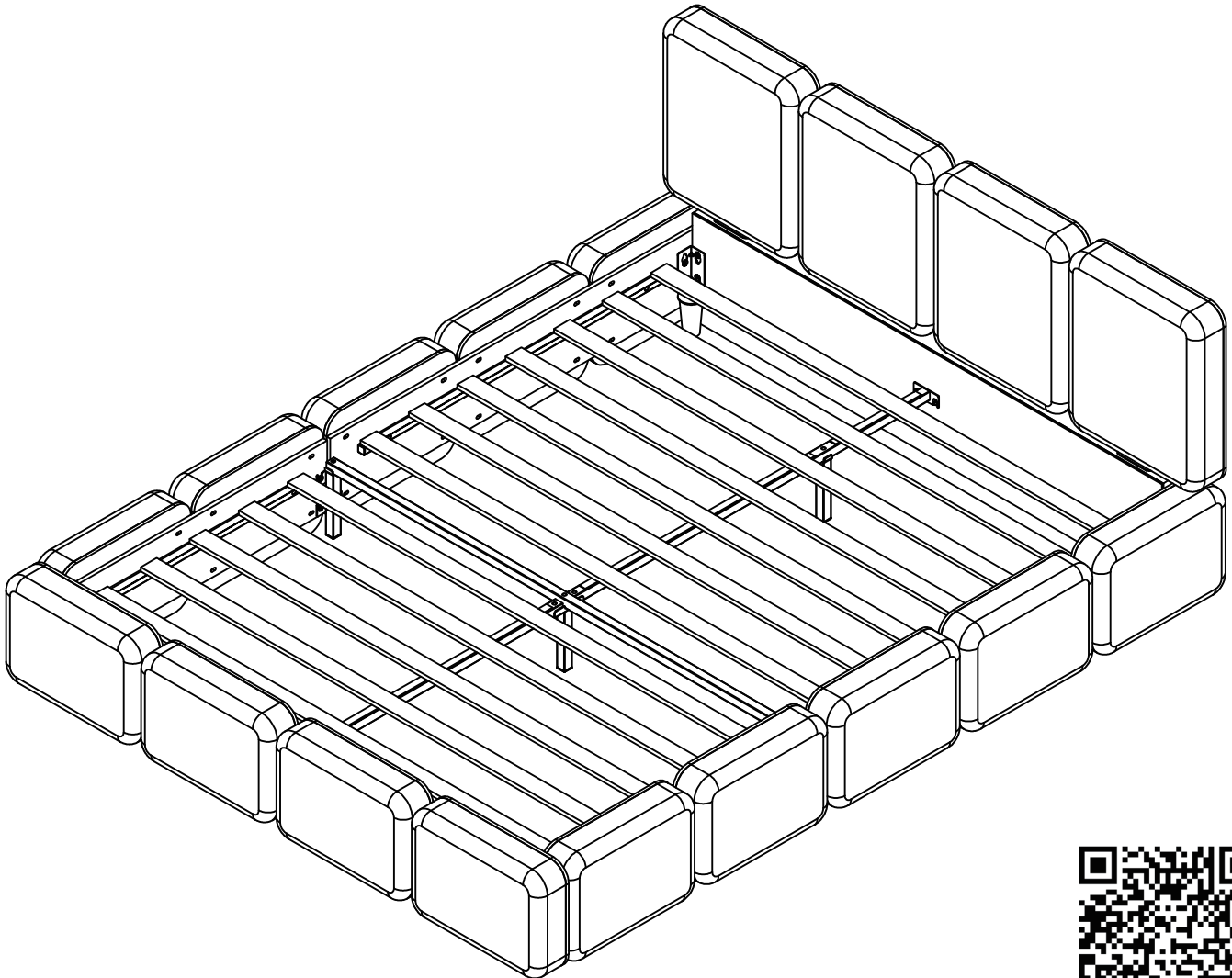


Assembly Instructions

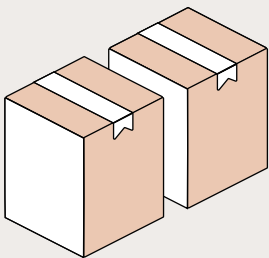
Recci Upholstered Bed Frame



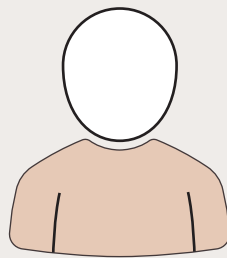
Model: CWC-009 (Queen Size)



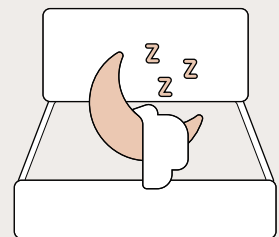
Scan to Watch
Assembly Video



1 Take out the componets.



2 **Assembly Instructions:**
Use an electric screwdriver.
1 person: more than 1 hour
2 people: approximately 30 minutes



3 Enjoy your sweet dream
with Soft Frame Bed

Contents

Before You Start

- 1.1 Product Overview 03
- 1.2 Important Safety Instructions 03
- 1.3 General Guidelines 03
- 1.4 Parts & Hardware List 04

Assembly Instructions

- 2.1 Installation Guide & Tips 06
- 2.2 Exploded View 07
- 2.3 Installation Steps 08

Care & Maintenance

- 3.1 Daily Cleaning & Care 17
- 3.2 Natural Material Variations 19
- 3.3 Troubleshooting 19

Contact & Warranty

- 4.1 Contact Information 20
- 4.2 Warranty Information 20

1.1 Product Overview

The Cloud Upholstered Bed Frame features a sculptural, bubble-padded design with a thickly cushioned headboard for everyday comfort. Upholstered in soft brushed cotton fabric, it offers a smooth, breathable feel. A sturdy wooden frame provides stable support without a box spring. Includes slatted base. Mattress not included.

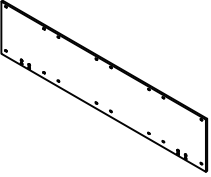
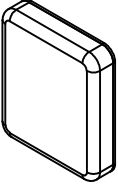
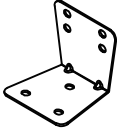
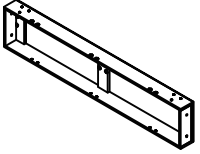
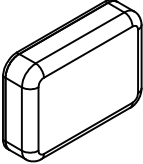
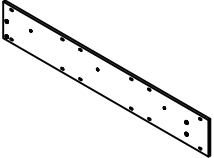
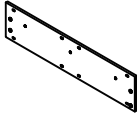
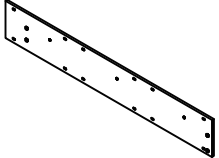
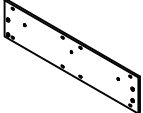
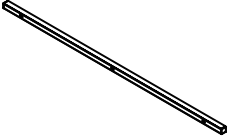
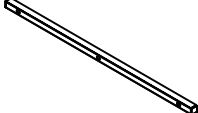
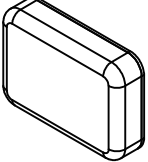
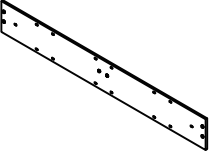
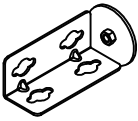
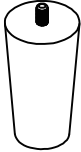
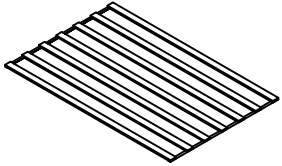
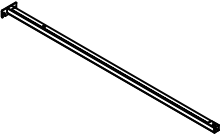



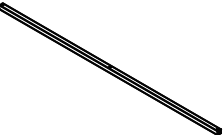
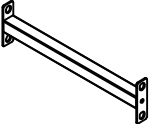
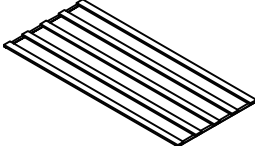

1.2 Important Safety Instructions









- This product should only be assembled by adults. Keep children and pets away from the assembly area.
- Keep all small parts and packaging materials out of reach of children and pets during and after assembly. Small parts pose a choking hazard and plastic bags pose a suffocation hazard.
- Do not allow children to climb on, play with, or use this product.
- Avoid using sharp objects or corrosive chemicals for cleaning, as they can damage the product's surface and void the warranty.
- Use caution during assembly. Improper handling may damage the components or cause injury.
- Do not jump on the bed or sit violently on its edges. This may damage the wooden slats or frame and void the warranty.

1.3 General Guidelines

- Please read the following instructions carefully prior to assembly and use.
- Please keep this manual for future reference and provide it to any future owner of the product.
- This product is intended for indoor use only. It must be assembled and used strictly according to these instructions.
- The manufacturer is not liable for any damage or injury resulting from improper assembly, misuse, or modification of the product.
- This manual may not cover every possible variation of the product or every minor step. Please refer to the assembly video for visual guidance.
- Please contact our customer service team if you require further information or assistance.

1.4 Parts & Hardware List

<p>1 *1</p> 	<p>2 *4</p> 	<p>3 *2</p> 	<p>4 *1</p> 
<p>5 *10</p> 	<p>6 *1</p> 	<p>7 *1</p> 	<p>8 *1</p> 
<p>9 *1</p> 	<p>10 *2</p> 	<p>11 *2</p> 	<p>12 *4</p> 
<p>13 *1</p> 	<p>14 *4</p> 	<p>15 *4</p> 	<p>16 *1</p> 
<p>17 *1</p> 	<p>18 *1</p> 	<p>19 *1</p> 	<p>20 *2</p> 
<p>21 *1</p> 	<p>22 *3</p> 	<p>23 *1</p> 	<p>24 *1</p> 

<p>(A) *66+2</p>  <p>M6*25</p>	<p>(B) *4</p>  <p>M6*45</p>	<p>(C) *26+2</p>  <p>M8*15</p>	<p>(D) *12+1</p>  <p>M8*32</p>
<p>(E) *5</p>  <p>M8*35</p>	<p>(F) *1</p>  <p>M8*45</p>	<p>(G) *1</p>  <p>S5*80</p>	<p>(H) *1</p>  <p>S4*80</p>

2.1 Installation Guide & Tips



1 hour



1 People

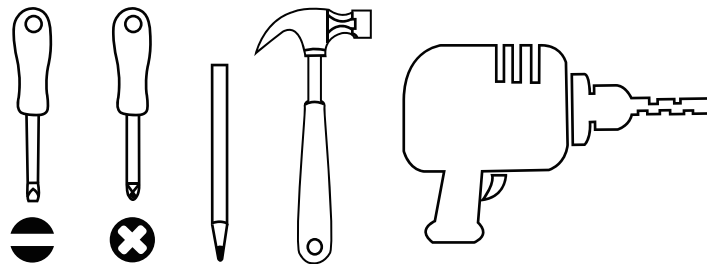
- Read all instructions carefully before beginning and keep this manual for future reference.
- Check the Parts List to ensure you have all components before starting assembly.
- Do not discard any packaging until assembly is complete to avoid accidentally discarding small parts or hardware.
- We recommend performing the assembly on a soft, clean, and flat surface (e.g., carpet) to prevent scratches.

Tips

- During assembly, align all screws with their pre-drilled holes first.
- Tighten each screw to about 50%.
- Once everything is properly aligned, fully tighten all screws.

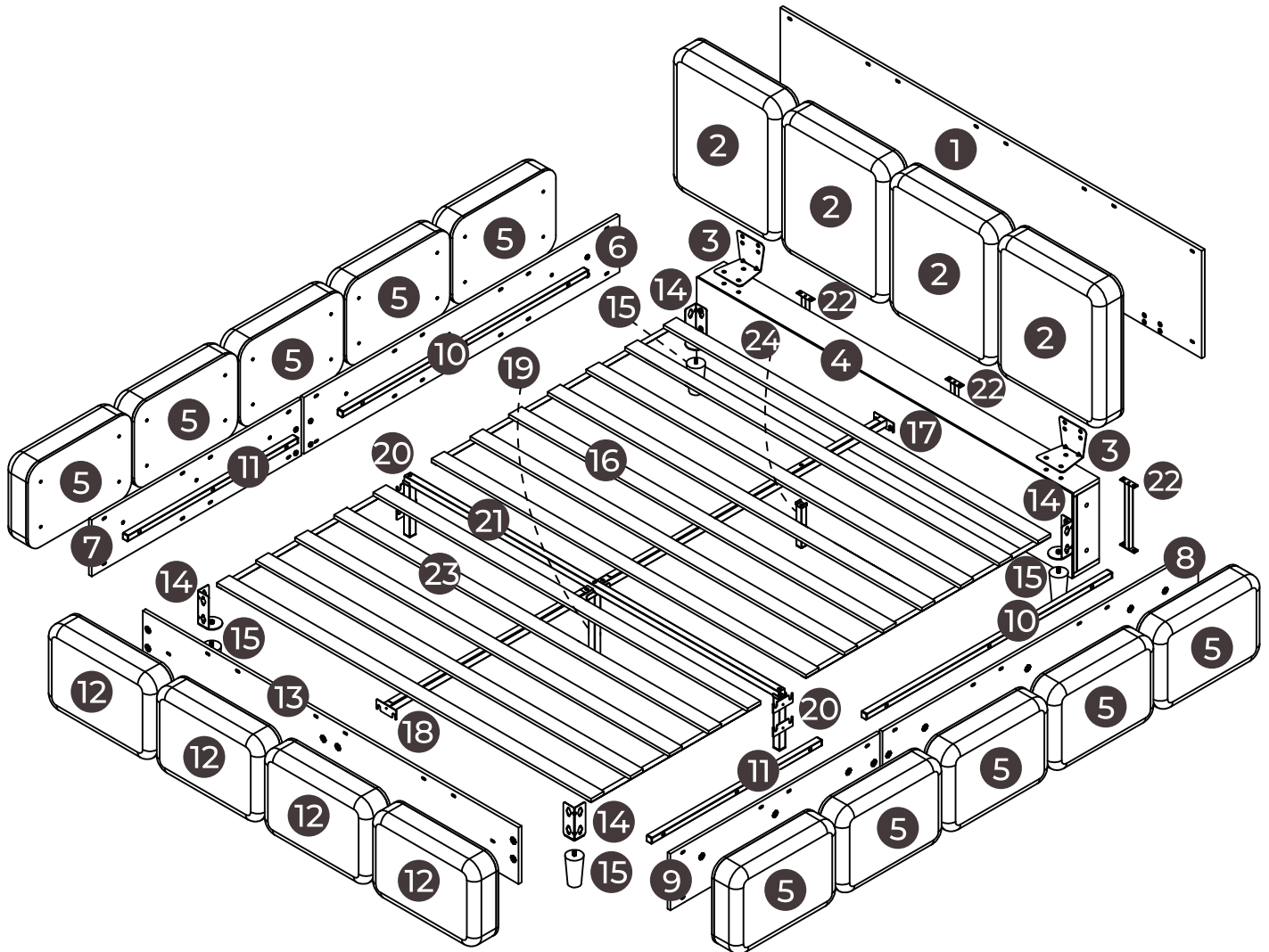
For best results, installation by a qualified furniture assembler is recommended.

TOOLS YOU MAY NEED



A second person for assistance is recommended.

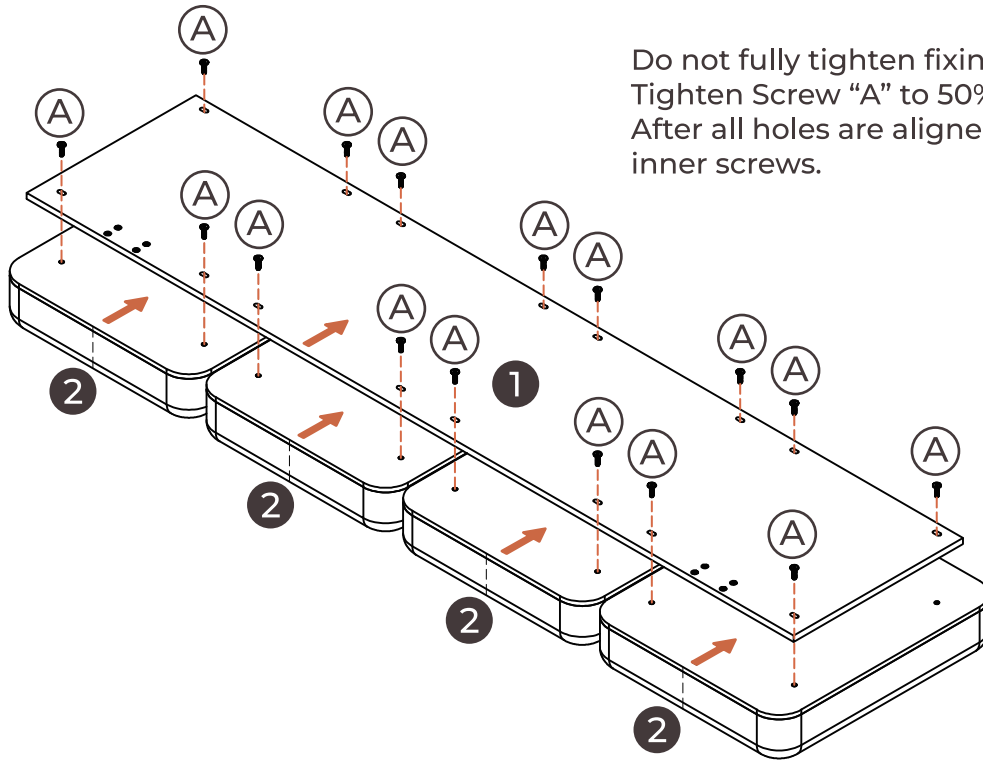
2.2 Exploded View



- 1.This product is not suitable for mattress recessed type.
- 2.This product is suitable for placing mattresses on the top.

2.3 Installation Steps

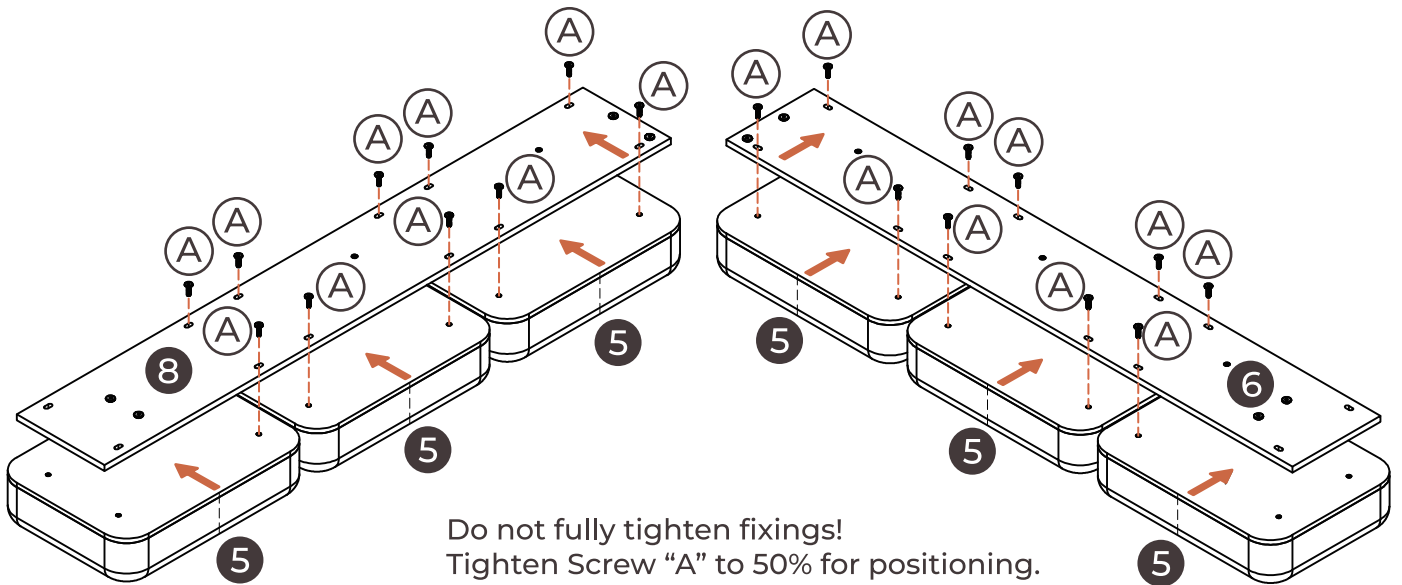
Step 1



Do not fully tighten fixings!
Tighten Screw "A" to 50% for positioning.
After all holes are aligned, fully tighten all inner screws.

A M6*25 X 16PCS

Step 2

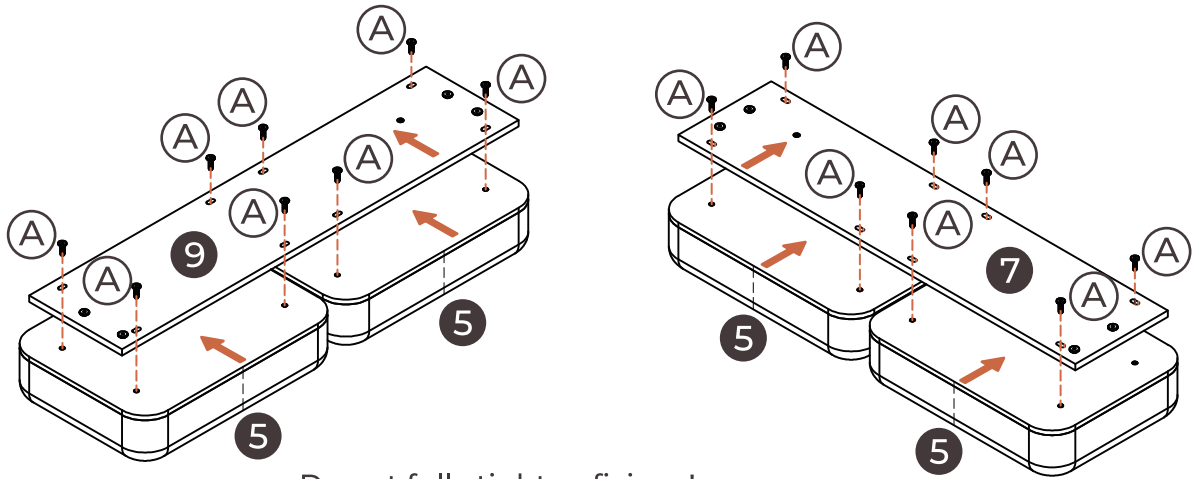


Do not fully tighten fixings!
Tighten Screw "A" to 50% for positioning.
After all holes are aligned, fully tighten all inner screws.

A M6*25 X 20PCS

Installation Steps

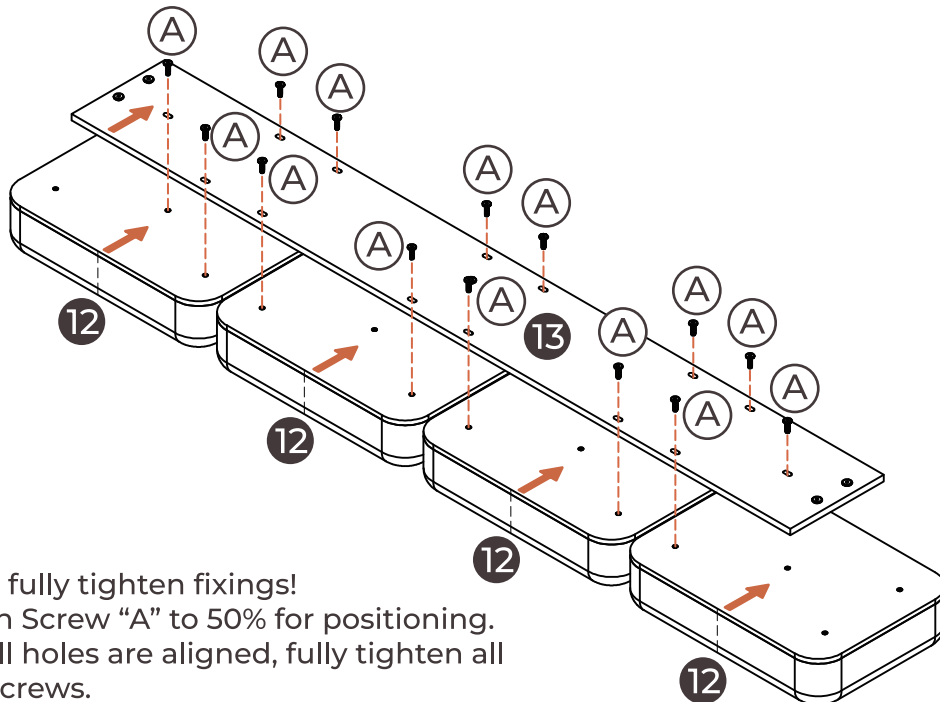
Step 3



Do not fully tighten fixings!
Tighten Screw "A" to 50% for positioning.
After all holes are aligned, fully tighten all
inner screws.

(A)  X 16PCS
M6*25

Step 4

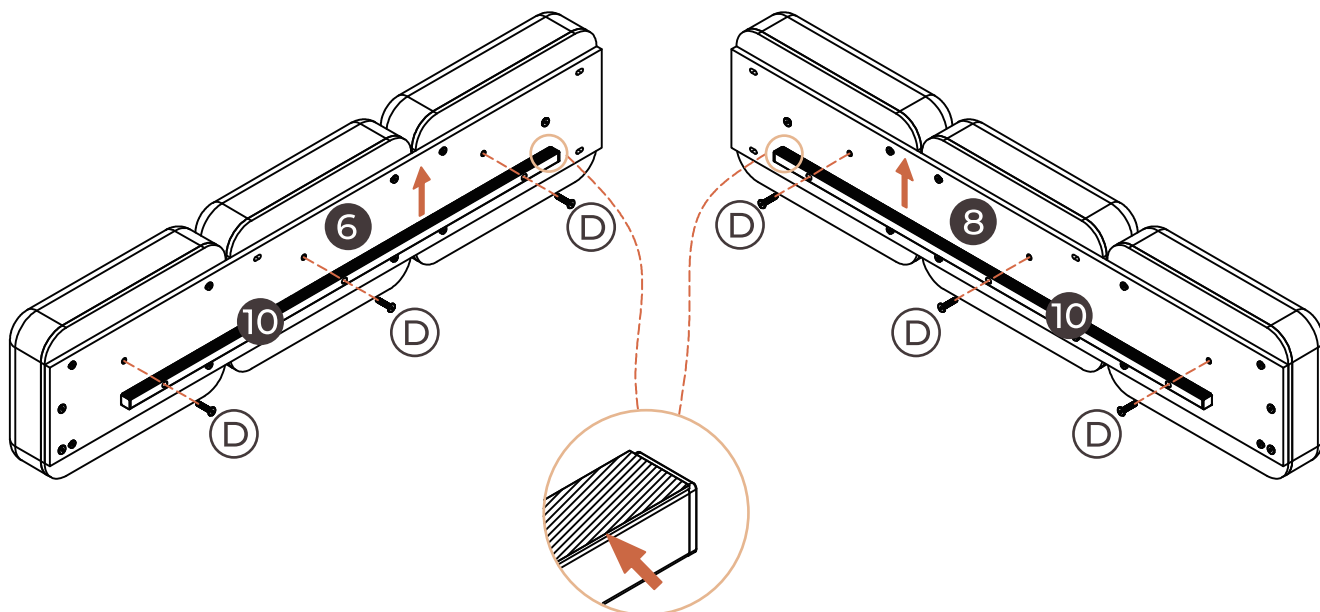


Do not fully tighten fixings!
Tighten Screw "A" to 50% for positioning.
After all holes are aligned, fully tighten all
inner screws.


(A)  X 14PCS
M6*25

Installation Steps

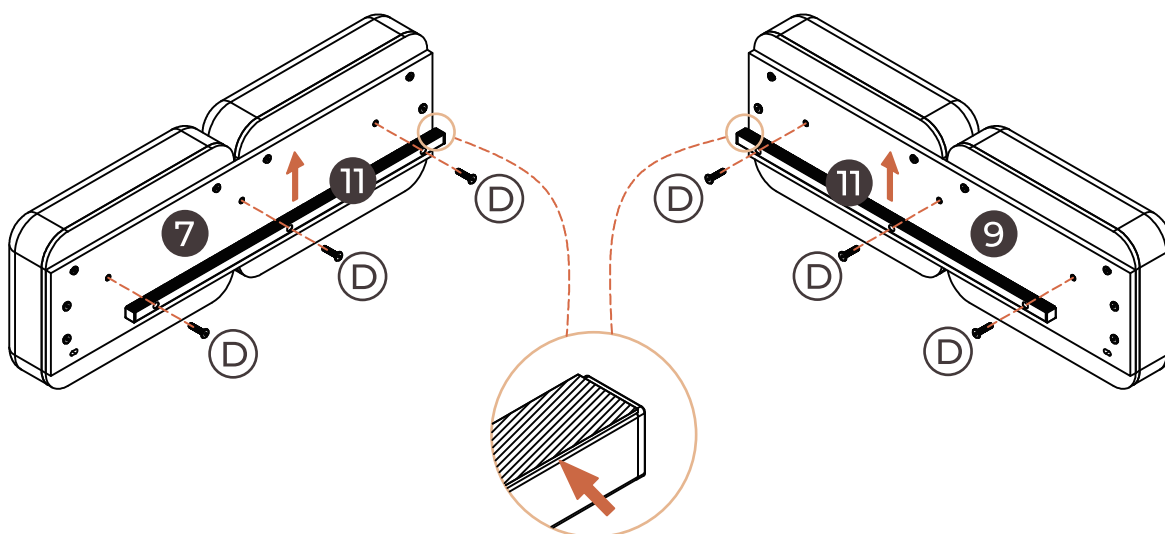
Step 5



Ensure the Velcro (hook side) is facing up.

 X 6PCS
M8*32

Step 6



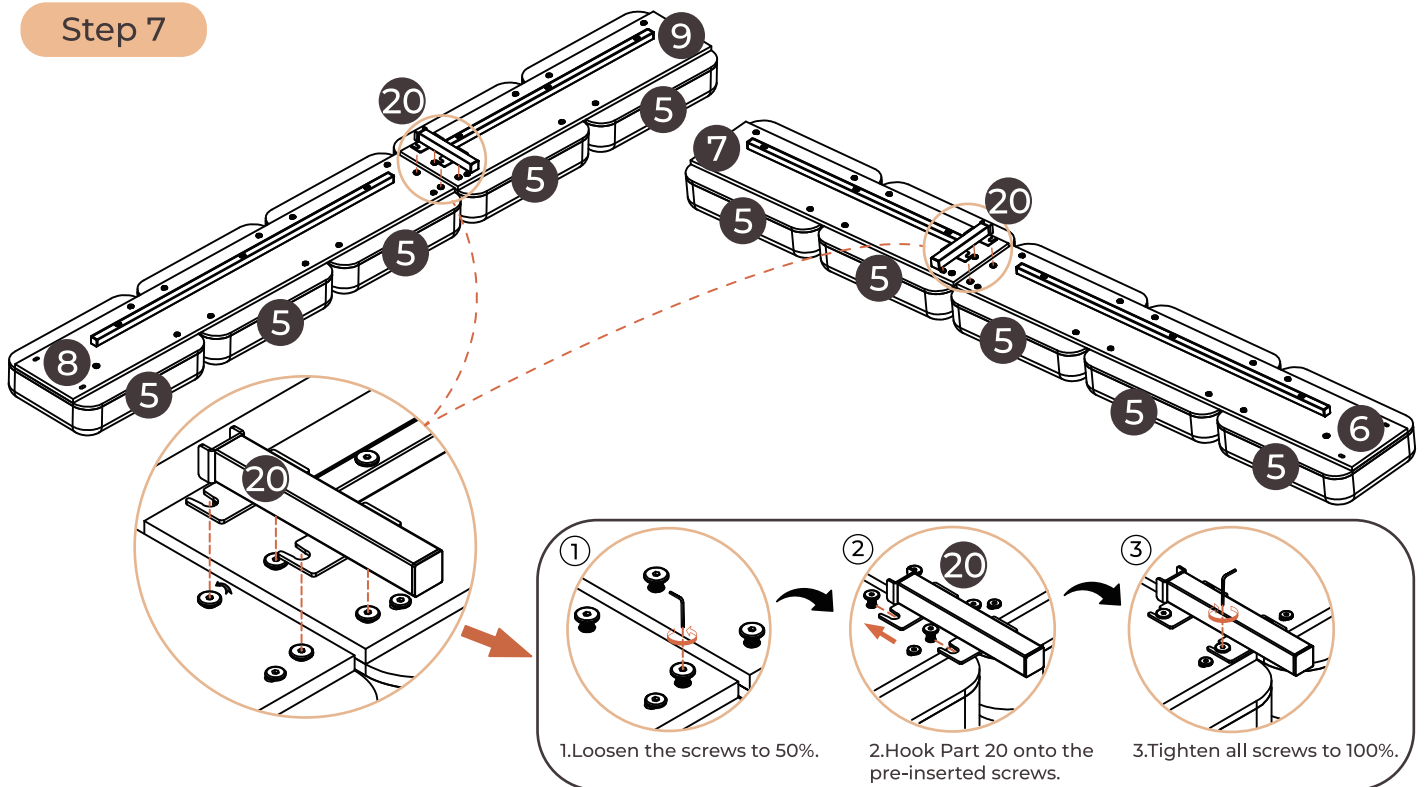
Ensure the Velcro (hook side) is facing up.

 6PCS
M8*32

 X 6PCS
M8*32

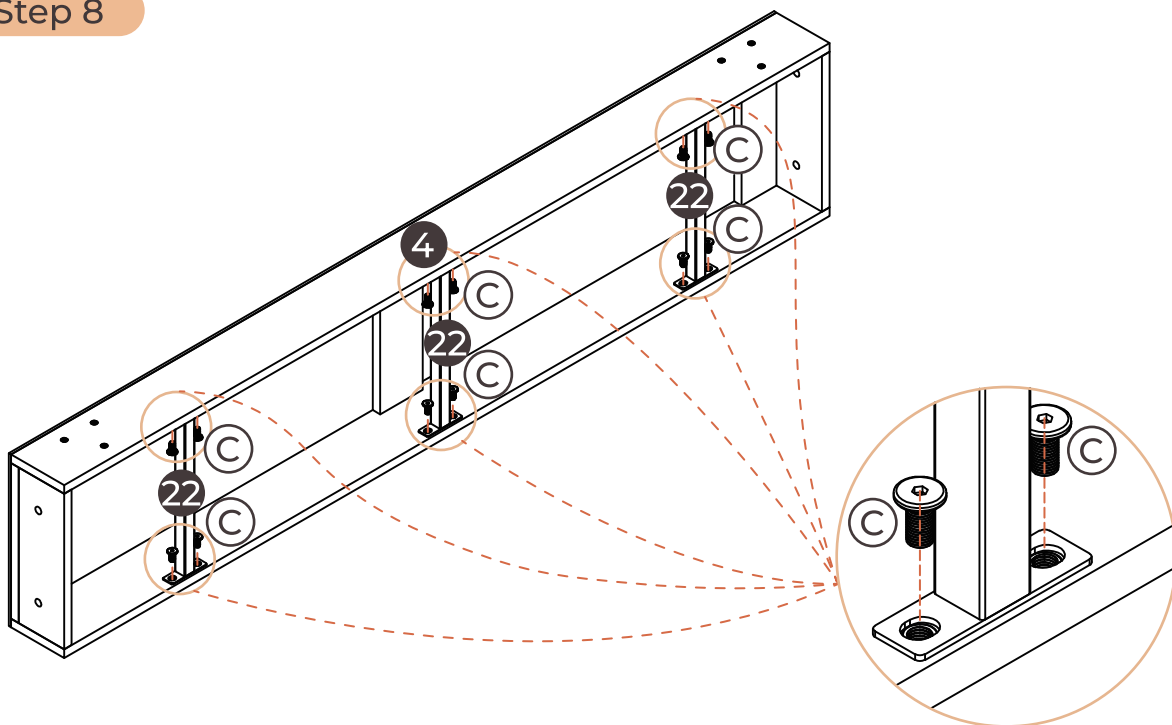
Installation Steps

Step 7



After connecting Side Panels 6 and 7, fine-tune the alignment by adjusting the different Screw "A" positions on Panel 5 for the best fit.

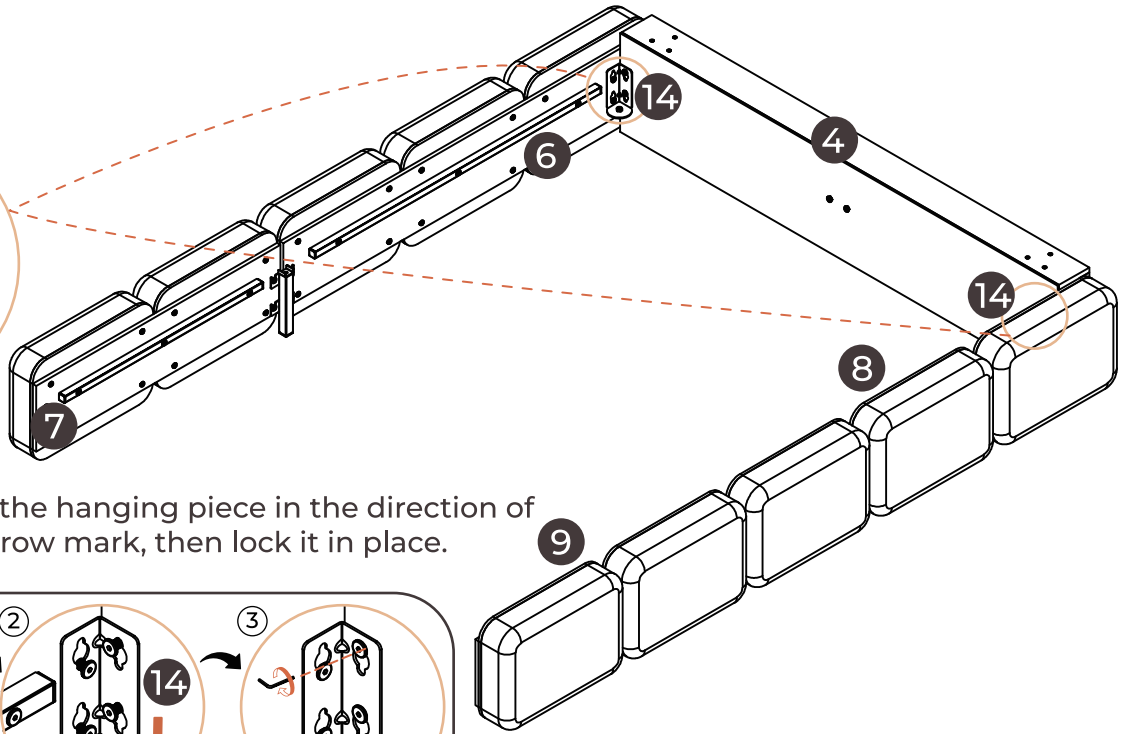
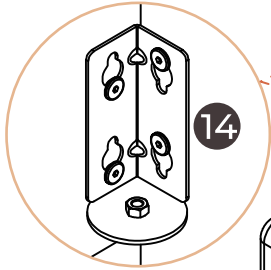
Step 8



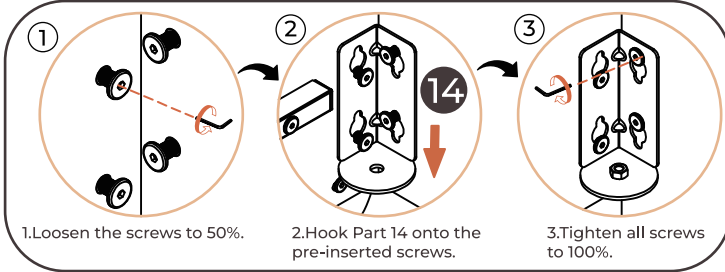
© M8*15 X 12PCS

Installation Steps

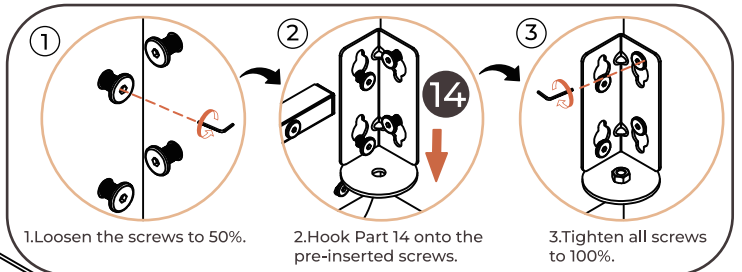
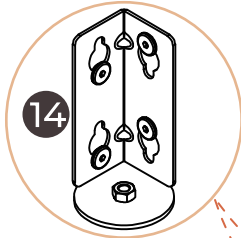
Step 9



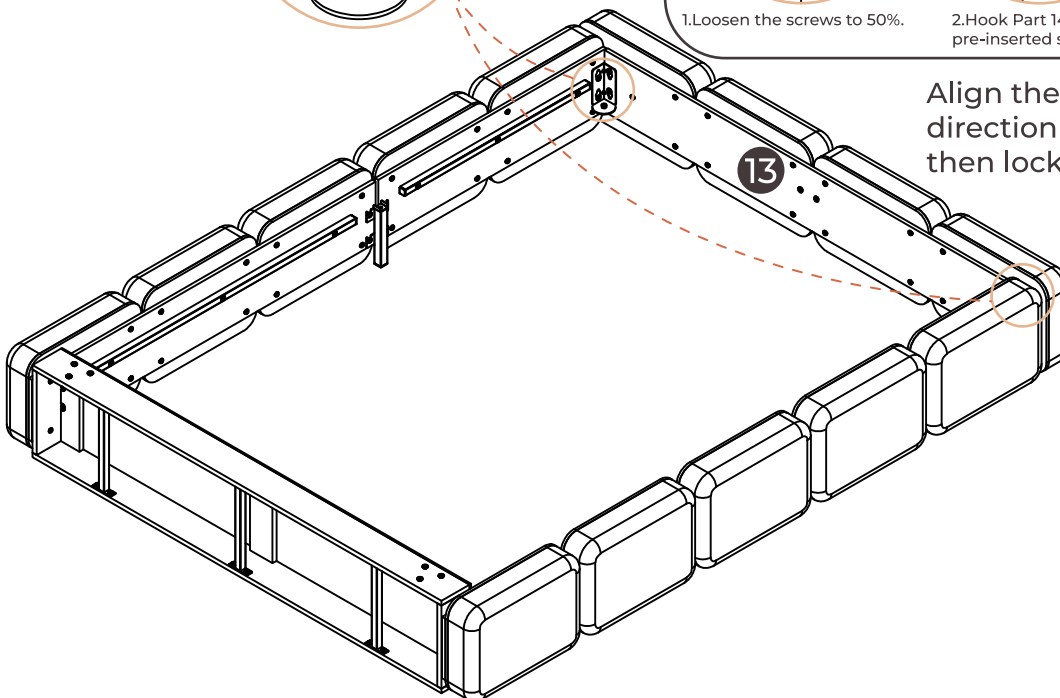
Align the hanging piece in the direction of the arrow mark, then lock it in place.



Step 10



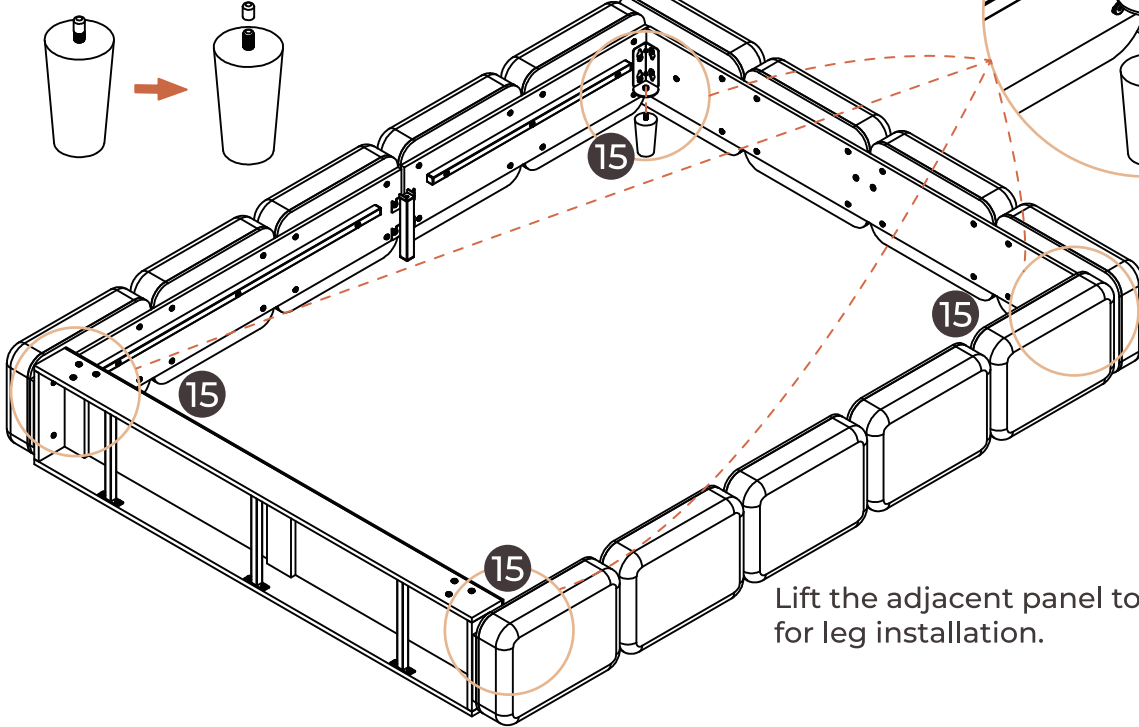
Align the hanging piece in the direction of the arrow mark, then lock it in place.



Installation Steps

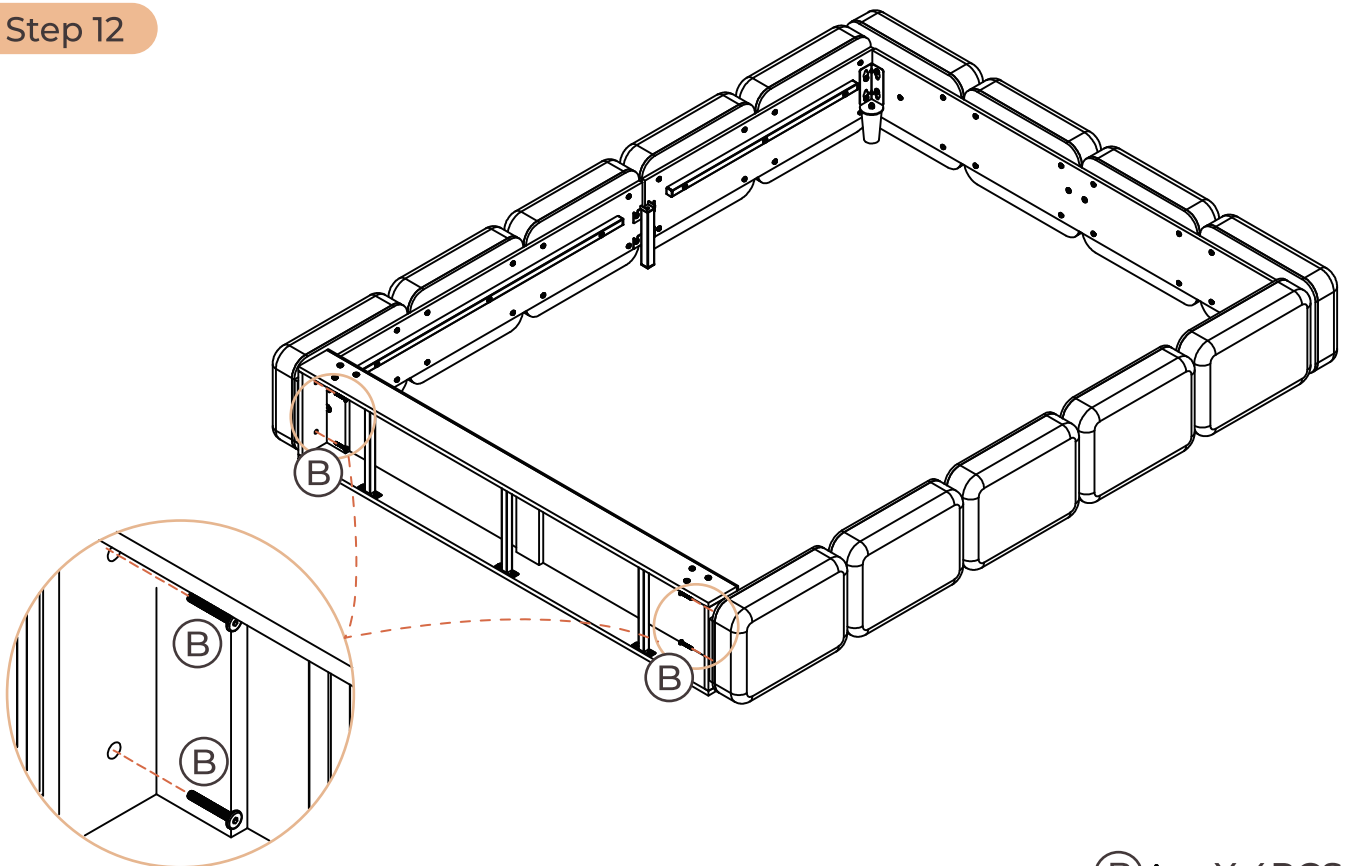
Step 11

Take off the plastic cap on the screw.



Lift the adjacent panel to allow for leg installation.

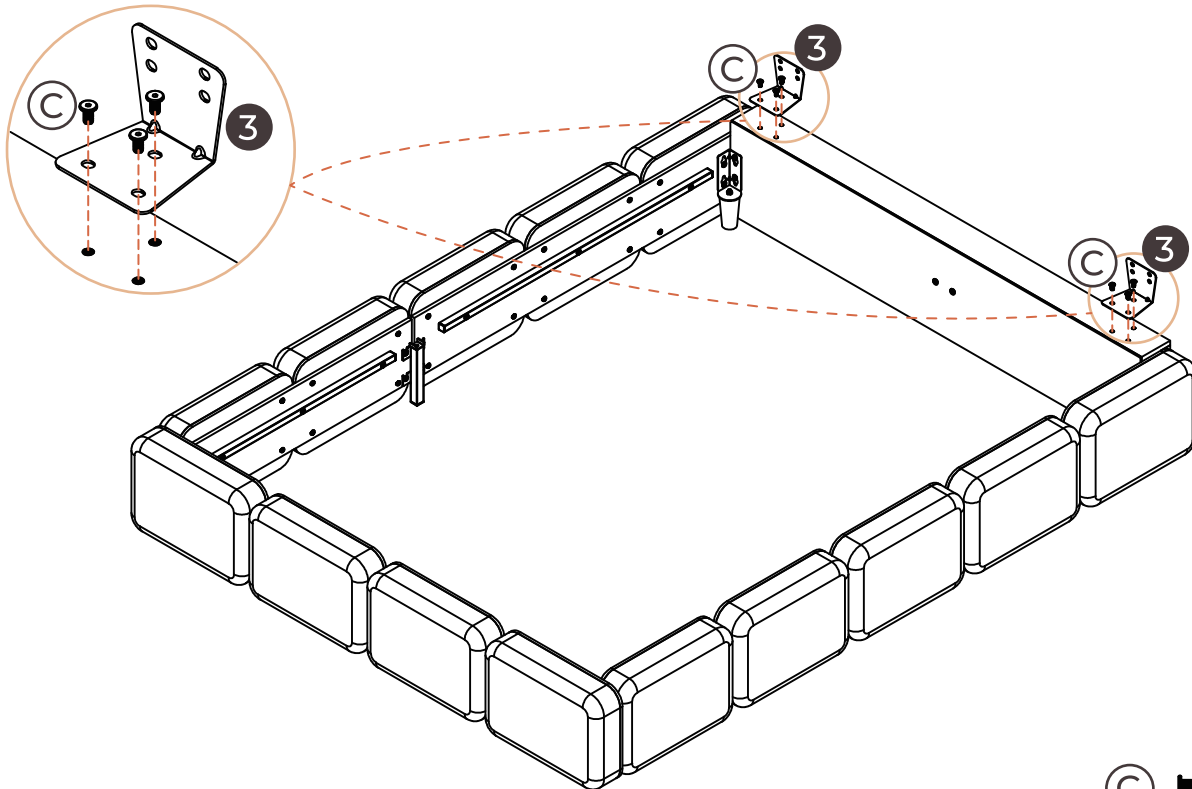
Step 12



(B) X 4PCS
M6*45

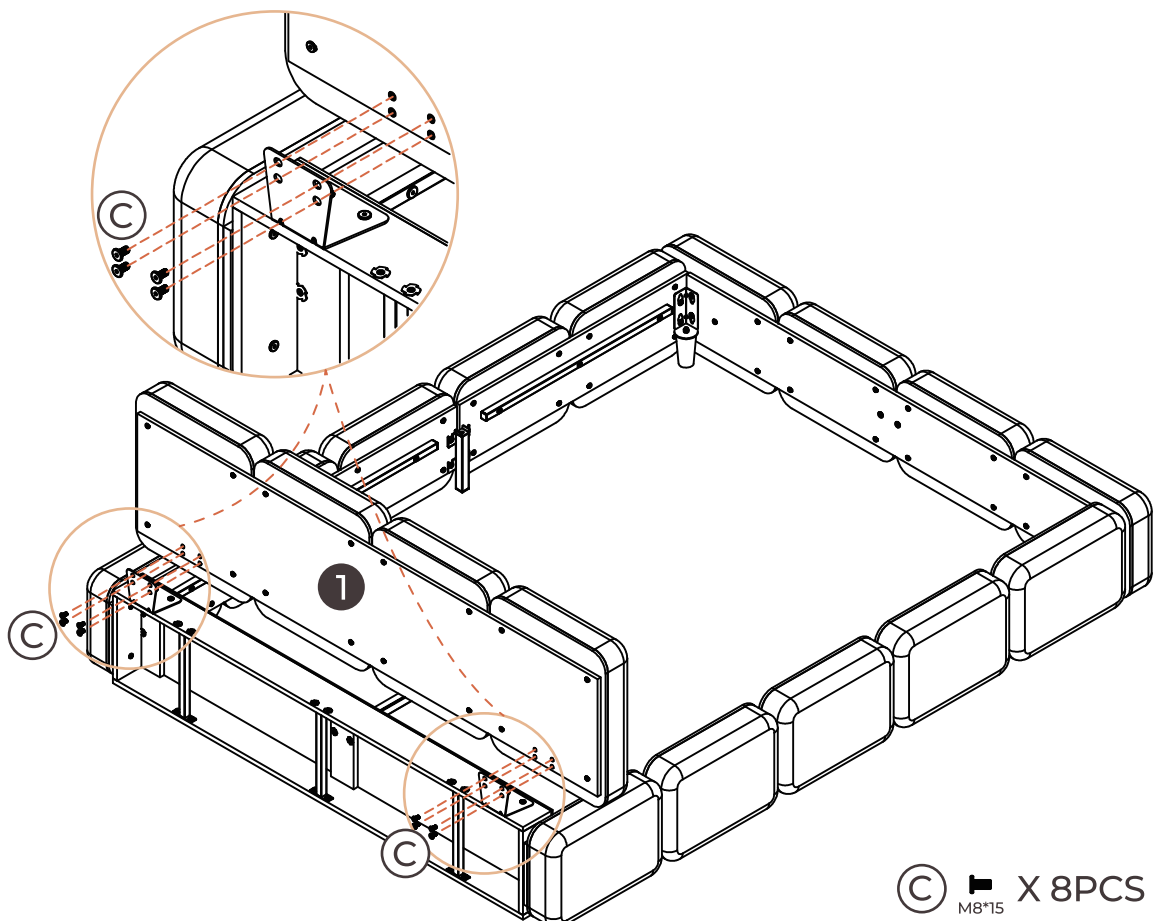
Installation Steps

Step 13



Ⓒ M8*15 X 6PCS

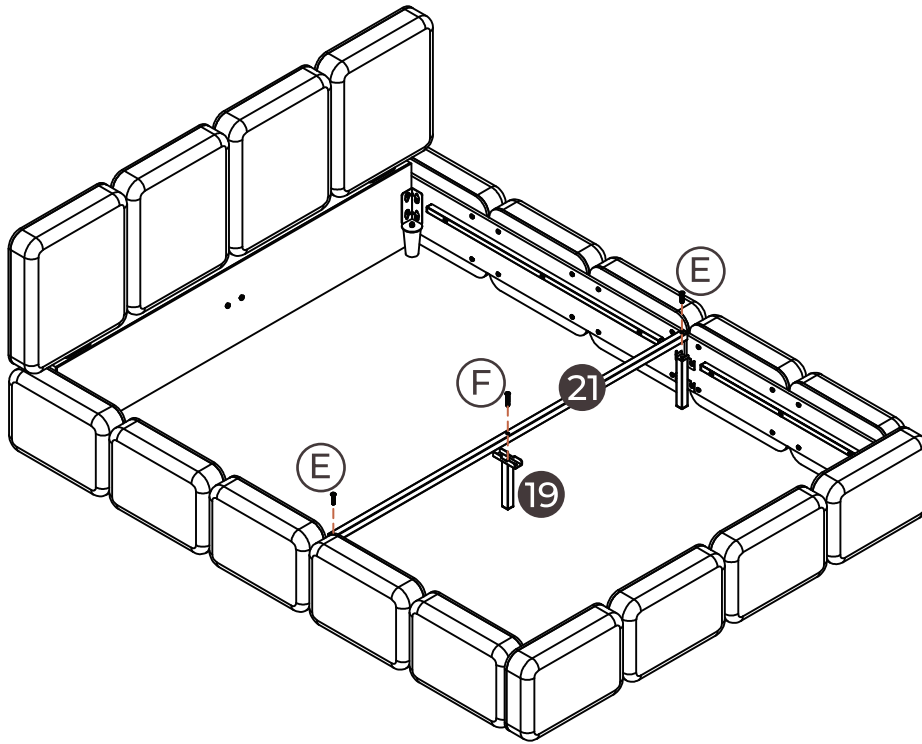
Step 14



Ⓒ M8*15 X 8PCS

Installation Steps

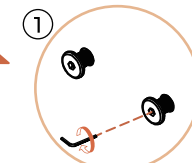
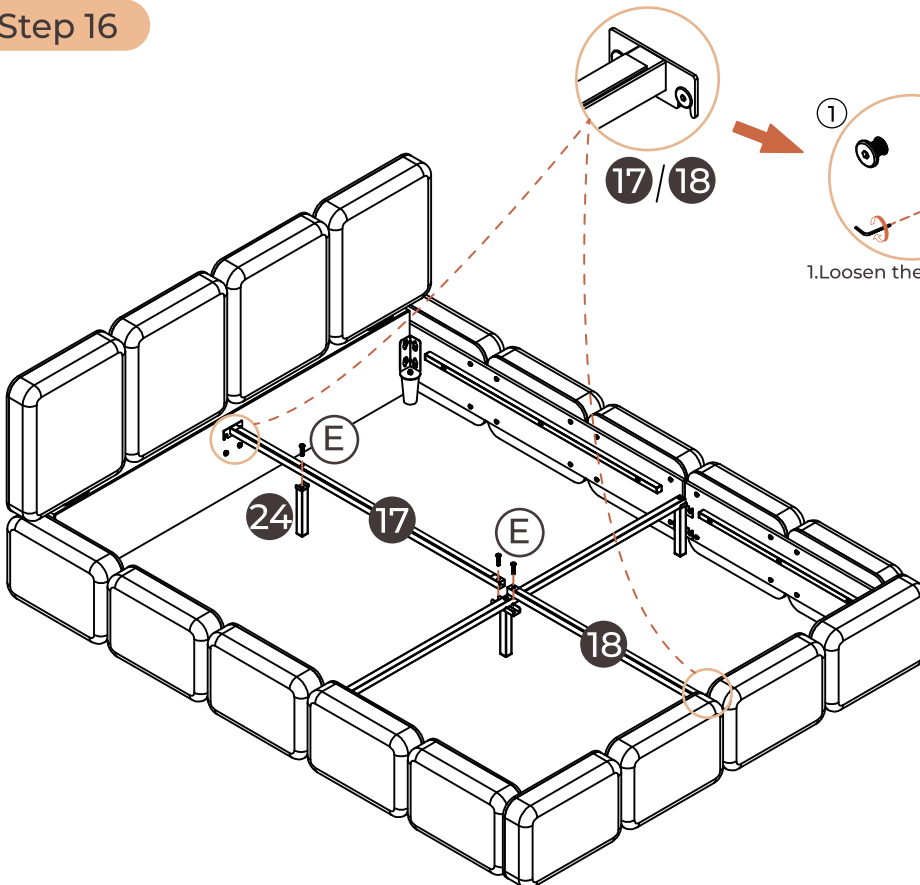
Step 15



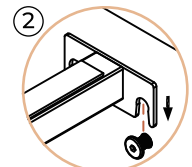
E  X 2PCS
M8*35

F  X 1PC
M8*45

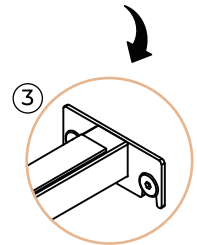
Step 16



1. Loosen the screws to 50%.



2. Hook Part 17/18 onto the pre-inserted screws.

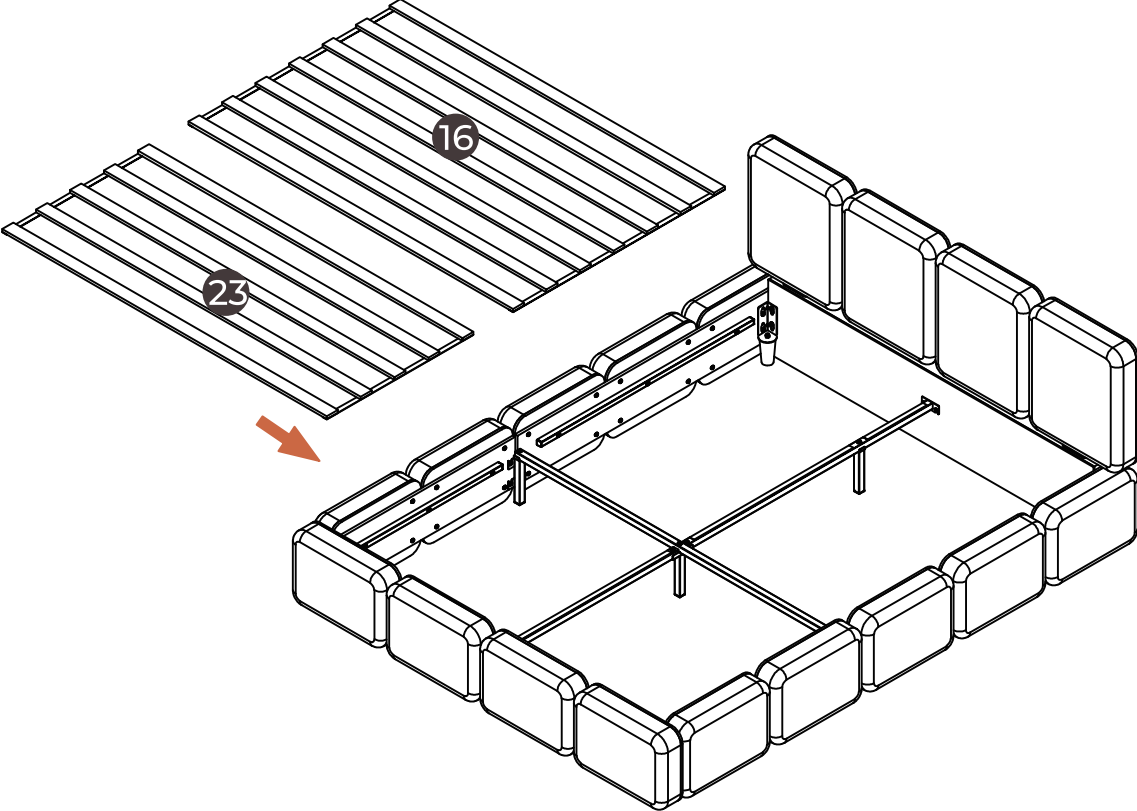


3. Tighten all screws to 100%.

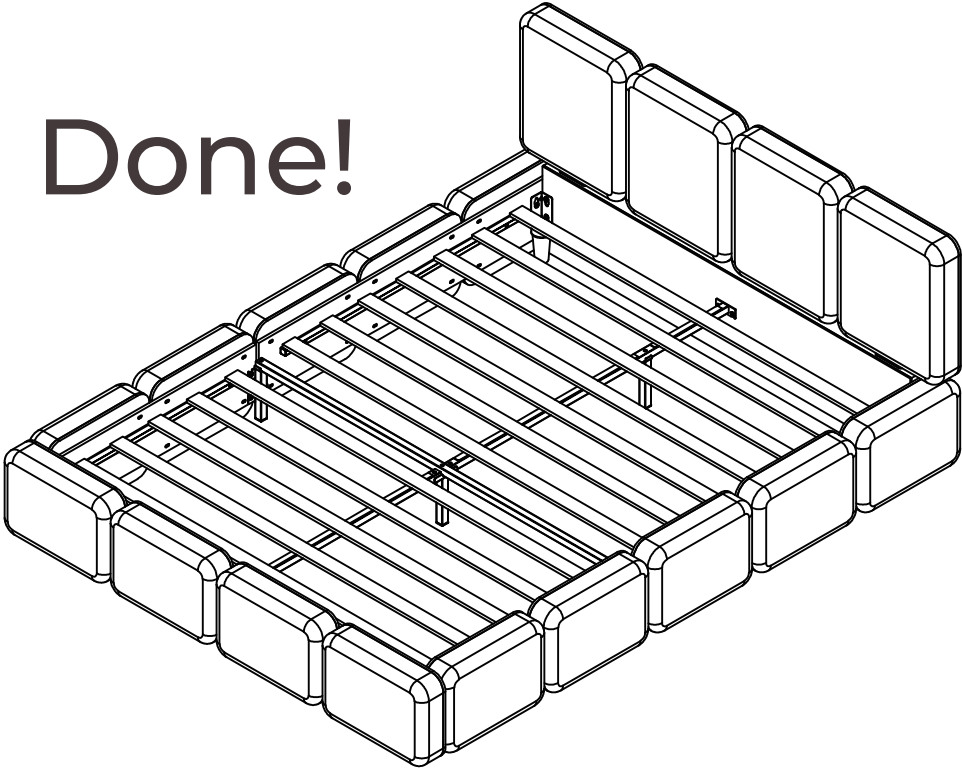
E  X 3PCS
M8*35

Installation Steps

Step 17



Done!



3.1 Daily Cleaning & Care

Cleaning

Daily Care

Surface Cleaning: Use a dry, soft cloth to gently wipe away dust and debris. Avoid wet cloths, as moisture may cause fiber shrinkage or stains. For seams and crevices (e.g., headboard edges, footboard joints), use a vacuum cleaner with a soft brush attachment on low suction.

Do not use stiff bristles or high-power settings, as these may fray the fabric.

Stain Prevention: Blot spills immediately with an absorbent cloth.

Do not rub, as friction may embed stains into fibers.

Avoid contact with sharp objects (e.g., jewelry, pet claws), acidic/alkaline cleaners, or alcohol-based products, which may weaken fibers or fade colors.

Regular Maintenance

Fabric Refresh: Mix a mild detergent with lukewarm water. Dip a soft cloth into the solution, wring thoroughly, and lightly dab stained areas. Rinse with a damp cloth and air-dry.

Odor Control: Sprinkle baking soda on the surface, let sit for 15 minutes, then vacuum to neutralize odors.

Long-Term Preservation

Generally, the maintenance should be once-a-quarter. Cover the bed with a breathable linen protector when not in use to shield against dust and pests. Store in a dry, ventilated space if disassembled—avoid plastic wraps to prevent mildew.

TYPE OF STAIN	CLEANING METHOD
Dry dirt	Brush delicately using a brush with soft bristles or use a vacuum cleaner at medium power with care.
Soft drinks, tea, coffee, beer, wine, milk, jam	Rapidly remove the liquid from the surface by a dry and clean cloth or absorbent paper to avoid being absorbed. Then rub the stain lightly with a clean and damped cloth soaked in the water.
Greasy substance: oil, grease, butter, chocolate, cosmetic, ink	Promptly remove the stain gently by absorbent paper or absorptive cloth, applying minimal pressure to prevent the stain from entering the pores of the leather. Use a clean cloth, soaked in a very diluted solution of neutral soap, rubbing delicately.
Chewing gum, candle wax	Cool down the mark ice, folded in a cellophane bag, then gently remove the mark. If the mark is still visible, try to remove by a normal soft rubber eraser.

General rule

To rub the stain, work delicately in circular direction, from the outside of the stain towards the center.

After rubbing, dry immediately with a clean and dry cloth. Let the product dry for several minutes before using or touching it. Do not dry the leather in direct sunlight or with a hair dryer.

If it is necessary for more accurate cleaning, use water and colorless, mild soap only.

Use and Maintenance

1. After delivery, ensure proper ventilation to dissipate odors. If not used immediately, store in a dry, well - ventilated area to accelerate odor removal. For long - term storage, unpack and keep in a dry, ventilated environment to prevent mildew growth.
2. When unpacking, use blunt tools to prevent scratches or surface damage.
3. Ensure the product is placed on a flat, stable surface.
4. Avoid prolonged exposure to direct sunlight or intense artificial light to preserve color vibrancy.
5. Never use corrosive chemicals or low - quality cleaners on the fabric, as these may cause fading, aging, cracking, or other damage.
6. Maintain at least 12 inches (30 cm) between fabric surfaces and heat sources (e.g., radiators, heaters) to prevent fading or shrinkage.
7. Gently wipe surfaces with a clean, soft, non - abrasive white cloth before use.
8. Keep sharp objects (scissors, knives, jewelry buckles, etc.) away from fabric surfaces to avoid tears or punctures.
9. Monitor pets to prevent damage from scratching or chewing.
10. Trim any loose thread ends with scissors instead of pulling them manually.
11. Never place newspapers on fabric surfaces, as ink may transfer permanently.

For long - term storage:

- 1). Clean thoroughly
- 2). Use dust - proof covers
- 3). Store in dry, ventilated indoor areas.

3.2 Natural Material Variations

Wood

As a natural material, wood develops unique textures, grain patterns, and subtle color variations through its growth. These characteristics are not flaws—they are a testament to its authentic origin. You may notice gentle shifts in tone as light interacts with the surface, enhancing its organic beauty.

Brushed Cotton Fabric

This premium fabric is made from cotton and finished with a brushed surface for a softer, smoother touch. As a natural fiber, cotton may display subtle texture variations or gentle color nuances, which are inherent to the material rather than defects. These characteristics may become more noticeable under different lighting conditions, enhancing the fabric's natural appearance.

A Note on Your Upholstered Bed

Over time, the upholstered bed may develop a relaxed appearance or gentle indentations as the fabric and padding naturally settle. This is a normal part of the material's character. To maintain an even look:

- Periodically rotate or reposition pillows and bedding
- Gently pat or smooth upholstered areas to revive the fibers
- Avoid prolonged pressure on a single area

These subtle changes reflect the lived-in beauty of natural materials.

3.3 Troubleshooting

Symptoms	Cause Analysis	Solution
Sofas, soft beds, dining chairs, and leisure chairs are unstable and shake after being placed	Four feet are not evenly on the ground	Depending on the ground clearance, use suitable hard objects to level it (some conference chairs can adjust the height of the rubber pad on the sole of the foot to balance the chair body)
Inflexible use of furniture moving parts	Loose connection of moving parts or lack of lubricating oil	Retighten the connecting screws to make the connection firm
Armrest loose	Armrest screws loose	Tighten the connecting screws and add lubricating oil properly
Scratches and bumps on painted wood	Paint surface damaged	Touch it up with paint of the same color
Deformation of the foam	Caused by long term transportation of use	Using a steamer, gently apply steam to the affected area of the sofa, and then use your hands to reshape it. Be careful not to get the sofa too wet or to burn yourself with the steam

4.1 Contact Information

We're Here to Help!

Your satisfaction is our priority. Please contact us directly before initiating a return to ensure the fastest resolution and avoid unnecessary shipping costs.

Contact Us Easily:

Go to "Your Orders".

Locate your order and select "Contact Seller".

Please have your Order ID ready for efficient service.

4.2 Warranty Information

This product is backed by a 1-year limited warranty against manufacturing defects. For full warranty terms and conditions, please visit our website.